

REVISED STARTING
SERIAL # 130110019

PARTS LIST MANUAL

MODEL TLR-7



TRAFFIC LINE REMOVER

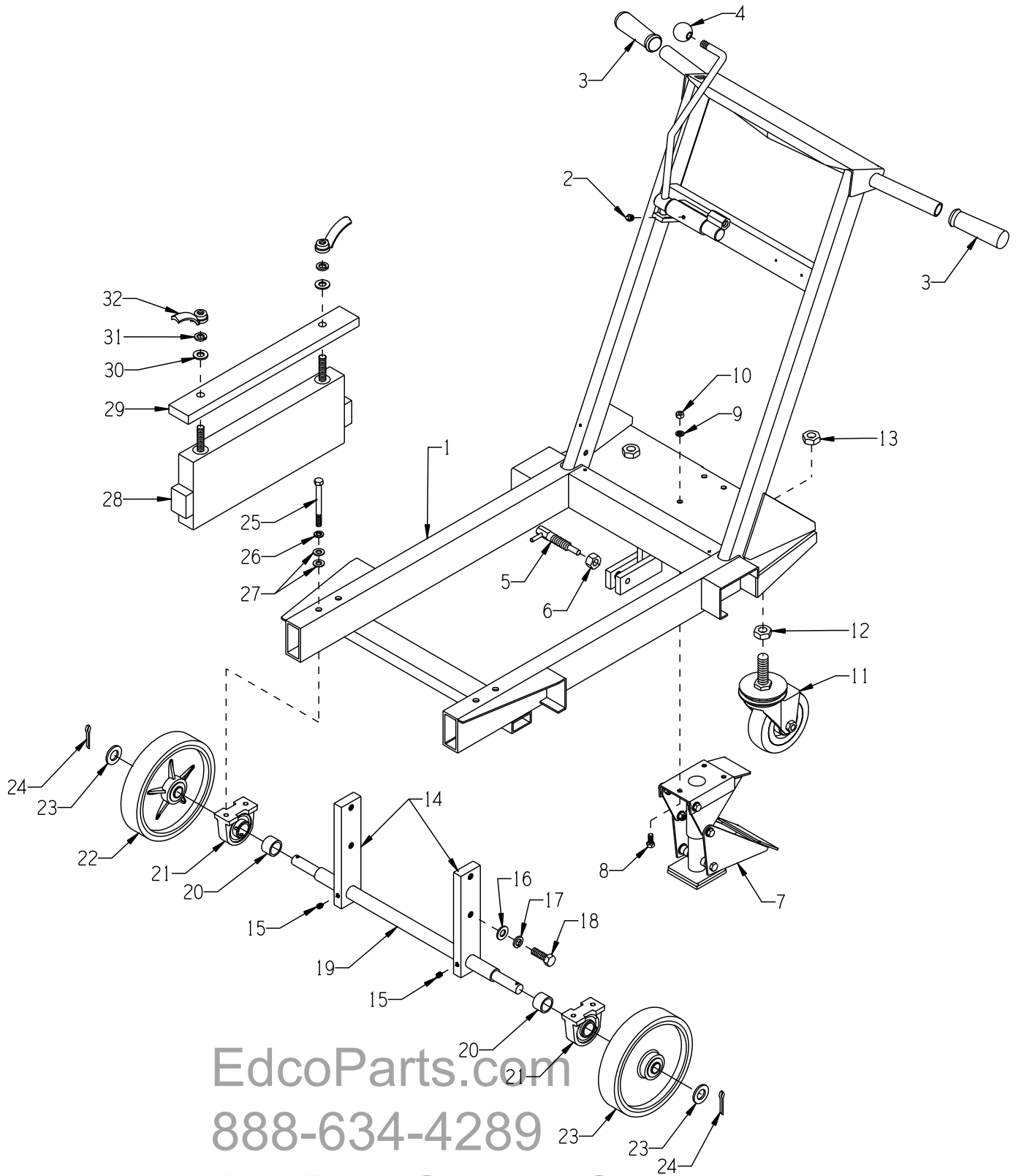
PART NO. 77500

EdcoParts.com

888-634-4289

An iBuy Stores Company

ILLUSTRATION 1: OUTER FRAME GROUPING



EdcoParts.com

888-634-4289

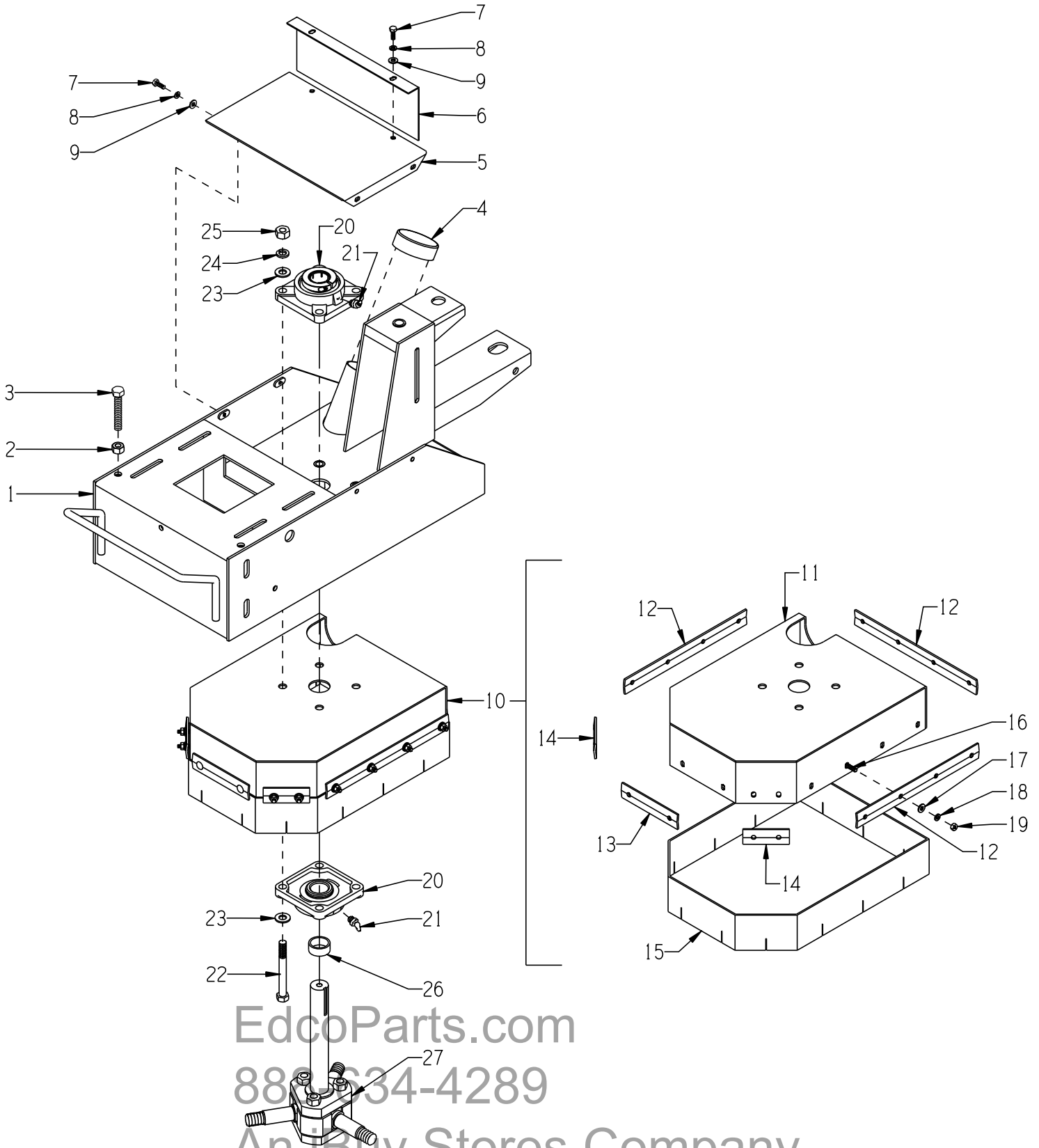
An iBuy Stores Company

| PARTS LISTING - ILLUSTRATION 1 : OUTER FRAME GROUPING | | | |
|---|--------|---|------|
| ITEM # | PART # | DESCRIPTION | QTY. |
| 1 | 68022 | OUTER FRAME W/ HANDLE, TLR-7 | 1 |
| 2 | 10953 | FITTING, GREASE 1/8 NPT STRAIGHT | 1 |
| 3 | 61108 | GRIP, HAND 1" MODEL SX | 2 |
| 4 | 14023 | KNOB, BALL 1-3/8 W/ 1/2-13THD, BLK. | 1 |
| 5 | 68081 | PLUNGER, SPRING 5/8-11 THD. | 1 |
| 6 | 10046 | NUT, HEX 5/8-11 ZINC | 1 |
| 7 | 68036 | KICK STAND ASSY., TLR-7 (BREAKDOWN AVAILABLE UPON REQUEST) | 1 |
| | 68007 | PAD, RUBBER 3"SQ. X 1/4"THK.. (INCLUDED W/ 68036) | 1 |
| 8 | 10053 | SCREW, CAP 5/16-18 X 3/4 | 3 |
| 9 | 10801 | WASHER, LOCK 5/16 ZINC | 3 |
| 10 | 10054 | NUT, HEX 5/16-18 ZINC | 3 |
| 11 | 68020A | CASTER, SWIVEL, TLR-7 | 2 |
| 12 | 10403 | NUT, HEX JAM 3/4-10 ZINC | 2 |
| 13 | 68058 | NUT, HEX NYLON JAM 3/4-10 ZINC | 2 |
| 14 | 68046 | HOLDER, FRONT AXLE, TLR-7 | 2 |
| 15 | 10052 | SCREW, SET 5/16-18 X 3/8 | 2 |
| 16 | 10312 | WASHER, FLAT 1/2 SAE ZINC | 4 |
| 17 | 10045 | WASHER, LOCK 1/2 ZINC | 4 |
| 18 | 10143 | BOLT, TAP 1/2-13 X 1-1/2 (FULL THD) | 4 |
| 19 | 68045 | AXLE SHAFT, FRONT 23"L, TLR-7 | 1 |
| 20 | 68047 | SPACER, FRONT AXLE, TLR-7 | 2 |
| 21 | 50222 | BEARING, BALL 1" TPB | 2 |
| 22 | 68008 | WHEEL 8 X 1-5/8 X 3/4"BRG., POLY | 2 |
| 23 | 10009 | WASHER, FLAT 3/4 SAE ZINC | 2 |
| 24 | 10306 | PIN, COTTER 3/16 X 1-1/2 | 2 |
| 25 | 10318 | SCREW, CAP 3/8-16 X 3-3/4 | 4 |
| 26 | 10811 | WASHER, LOCK 3/8 ZINC | 4 |
| 27 | 10025 | WASHER, FLAT 3/8 SAE ZINC | 8 |
| 28 | 68037 | WEIGHT, 41 LB., TLR-7 | 2 |
| 29 | 68038 | WEIGHT BAR, 7 LB., TLR-7 | 2 |
| 30 | 10312 | WASHER, FLAT 1/2 SAE ZINC | 2 |
| 31 | 10045 | WASHER, LOCK 1/2 ZINC | 2 |
| 32 | 68040 | NUT, TAIL HANDLE 1/2-13, TLR-7 | 2 |

EdcoParts.com
888-634-4289

An iBuy Stores Company

ILLUSTRATION 2: INNER FRAME GROUPING



EdcoParts.com

888-634-4289

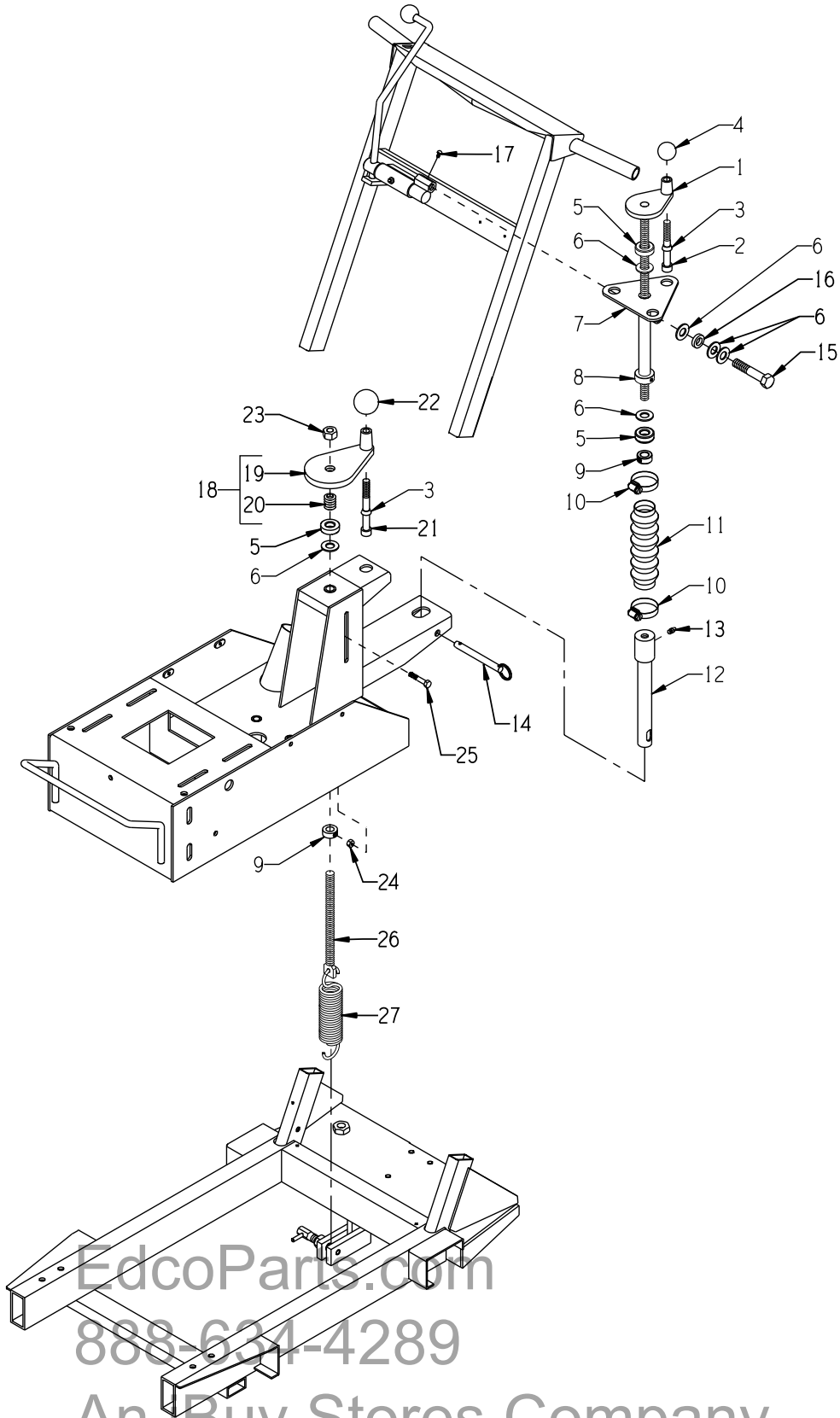
An iBuy Stores Company

| PARTS LISTING - ILLUSTRATION 2 : INNER FRAME GROUPING | | | |
|---|--------|--|------|
| ITEM # | PART # | DESCRIPTION | QTY. |
| 1 | 68021 | FRAME, INNER, TLR-7 | 1 |
| 2 | 10417 | NUT, HEX 1/2-13 ZINC | 2 |
| 3 | 10340 | BOLT, TAP 1/2-13 X 3 (FULL THREAD) | 2 |
| 4 | 64030 | CAP, END 3" BLUE PLASTIC | 1 |
| 5 | 68057 | COVER, BELT, TLR-7 | 1 |
| 6 | 68056 | COVER REAR PANEL, BELT, TLR-7 | 1 |
| 7 | 10018 | SCREW, CAP 1/4-20 X 3/4 | 6 |
| 8 | 10038 | WASHER, LOCK 1/4 ZINC | 6 |
| 9 | 10602 | WASHER, FLAT 1/4 SAE ZINC | 6 |
| 10 | 68025A | GUARD & SKIRT SUBASSEMBLY, TLR-7 (INCLUDES ITEMS 11 THRU 19) | 1 |
| 11 | 68025 | GUARD, CUTTER HEAD, TLR-7 | 1 |
| 12 | 68026 | RETAINER, SKIRT 12", TLR-7 | 3 |
| 13 | 68028 | RETAINER, SKIRT 5-1/2", TLR-7 | 1 |
| 14 | 68029 | RETAINER, SKIRT 3-1/4", TLR-7 | 2 |
| 15 | 68030 | SKIRT, RUBBER, TLR-7 3" X 108"(9 FT.) X 1/16"THK. | 1 |
| 16 | 10412 | BOLT, CARRIAGE 1/4-20 X 1 | 18 |
| 17 | 10602 | WASHER, FLAT 1/4 SAE ZINC | 18 |
| 18 | 10038 | WASHER, LOCK 1/4 ZINC | 18 |
| 19 | 10013 | NUT, HEX 1/4-20 ZINC | 18 |
| 20 | 79012 | BEARING, BALL 1-1/4" 4-HOLE FLANGE | 2 |
| 21 | 10006 | FITTING, GREASE 1/8 NPT X 45D | 2 |
| 22 | 10409 | SCREW, CAP 1/2-20 X 4-1/2 | 4 |
| 23 | 10312 | WASHER, FLAT 1/2 SAE ZINC | 8 |
| 24 | 10045 | WASHER, LOCK 1/2 ZINC | 4 |
| 25 | 10205 | NUT, HEX LOCK 1/2-20 ZINC | 4 |
| 26 | 68019 | SPACER, ROTARY HEAD MAIN SHAFT 1-1/2"OD X 1-1/4"ID X 1/2"THK | 1 |
| 27 | 68068 | SPIDER ASSY., ROTARY HEAD, TLR-7 (SEE ILLUSTRATION 4 FOR BREAKDOWN) | 1 |

888-634-4289

An iBuy Stores Company

ILLUSTRATION 3: HANDWHEEL & LINKAGE GROUPING



EdcoParis.com

888-634-4289

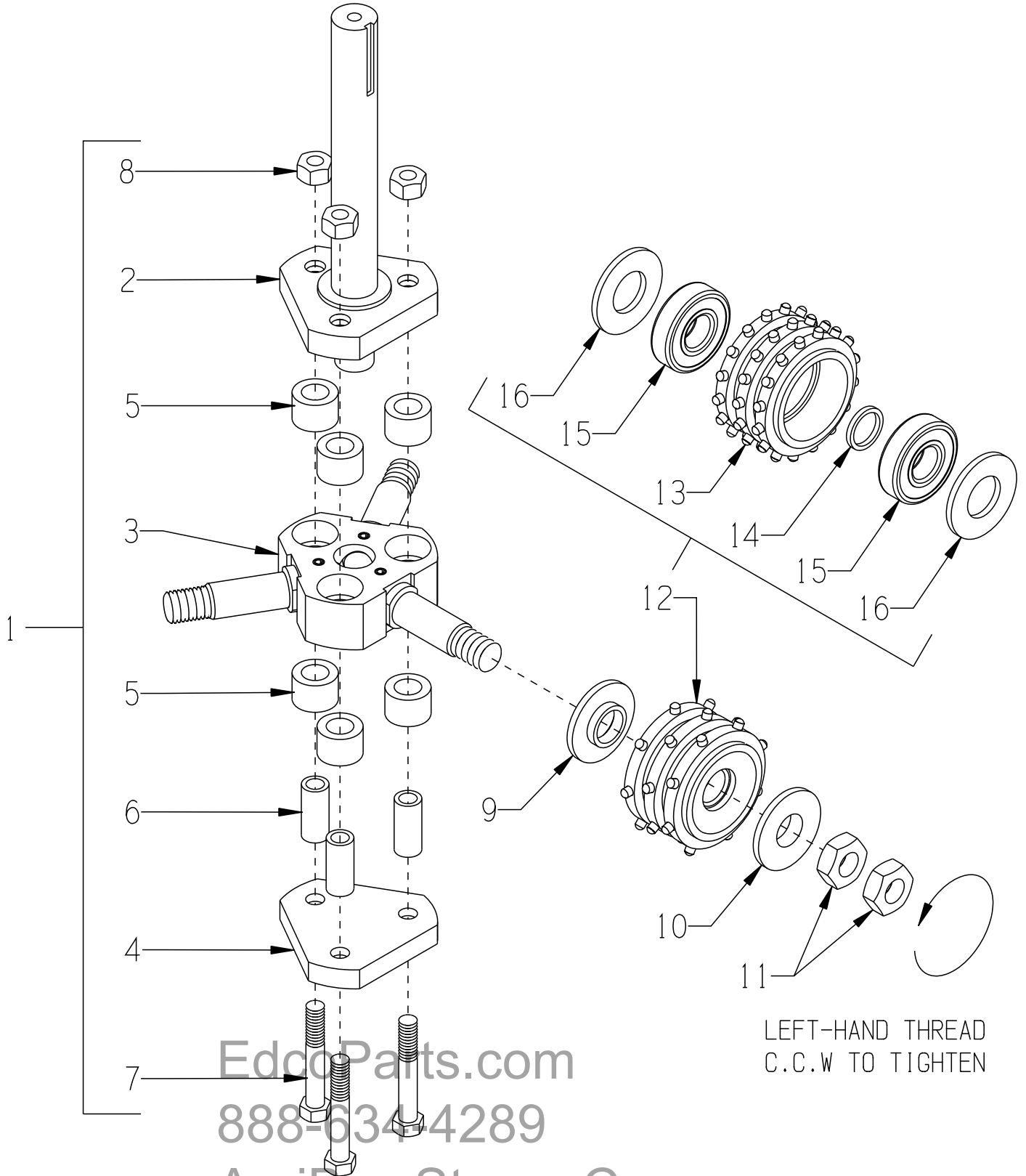
An IBuy Stores Company

| PARTS LISTING - ILLUSTRATION 3: HANDWHEEL & LINKAGE GROUPING | | | |
|---|--------|---|------|
| ITEM # | PART # | DESCRIPTION | QTY. |
| 1 | 65008 | HANDWHEEL, SMALL W/ 5/8-8 X 18"ROD | 1 |
| 2 | 10411 | SCREW, SKT. HD. CAP 1/2-13 X 4 ZINC | 1 |
| 3 | 50550 | SLEEVE, BRASS 1/2" TAPERED | 2 |
| 4 | 14023 | KNOB, BALL 1-3/8 W/ 1/2-13THD, BLK. | 1 |
| 5 | 85005 | BEARING, THRUST BALL 5/8 | 3 |
| 6 | 10073 | WASHER, FLAT 5/8 SAE ZINC | 5 |
| 7 | 68086 | LINKAGE SUPPORT, UPPER CONTROL,TLR7 | 1 |
| 8 | 10440 | COLLAR, LOCKING 7/8"ID | 1 |
| 9 | 10096 | COLLAR, LOCKING 5/8"ID (NOTE: SET SCREW REMOVED AND CAPSCREW USED, ITEM 25, FOR PRESSURE CONTROL LINKAGE ONLY.) | 2 |
| 10 | 10784 | CLAMP, HOSE, SAE #20, ADJ. TO 1-3/4 | 2 |
| 11 | 10930 | BELLOWS 1-1/4ID X 2-3/8EL X 1-3/4RL | 1 |
| 12 | 68043 | LINKAGE, LOWER CONTROL 5/8-8 THD. | 1 |
| 13 | 10808 | FITTING, GREASE 1/4-28 STRAIGHT | 1 |
| 14 | 68082 | PIN, DETENT RING 1/2 X 4 E.L. | 1 |
| 15 | 10359 | SCREW, CAP 5/8-11 X 3-1/4 | 1 |
| 16 | 79035 | BUSHING, RUBBER 1-1/16 X 5/8 X 1/4 | 1 |
| 17 | 10127 | SCREW, DRIVE 1/8 X 1/4"L | 1 |
| 18 | 68083A | HANDWHEEL, LARGE W/ 5/8-11 INSERT (THESE 2 PARTS ARE ASSEMBLED W/ RED LOCTITE) | 1 |
| 19 | 68083 | HANDWHEEL, LARGE W/ 7/8-9 THD. (NOT FOR REPLACEMENT- SEE ITEM 18) | 1 |
| 20 | 68084 | THREAD INSERT 7/8-9 X 5/8-11 (NOT FOR REPLACEMENT- SEE ITEM 18) | 1 |
| 21 | 10346 | SCREW, SKT. HD. CAP 1/2-13 X 4-1/2 | 1 |
| 22 | 10104 | KNOB, BALL 1-7/8 W/ 1/2-13THD, BLK. | 1 |
| 23 | 11707 | NUT, HEX NYLON LOCK 5/8-11 ZINC | 1 |
| 24 | 10054 | NUT, HEX 5/16-18 ZINC | 1 |
| 25 | 10204 | SCREW, CAP 5/16-18 X 1-3/4 | 1 |
| 26 | 68085 | LINKAGE, PRESSURE CONTROL 5/8-11 | 1 |
| 27 | 41041 | SPRING, EXT. 1.75"OD X 8"L | 1 |

888-634-4289

An iBuy Stores Company

ILLUSTRATION 4: ROTARY CUTTER HEAD ASSEMBLY



EdcoParts.com
888-634-4289

An iBuy Stores Company

| PARTS LISTING - ILLUSTRATION 4 : ROTARY CUTTER HEAD ASSEMBLY | | | |
|---|----------------|---|-------------|
| ITEM # | PART # | DESCRIPTION | QTY. |
| 1 | 68068 | SPIDER ASSY., ROTARY HEAD, TLR-7 (INCLUDES ITEMS 2 THRU 8) | 1 |
| 2 | 68011 | SHAFT & FLANGE, ROTARY, TLR-7 | 1 |
| 3 | 68065A | HUB ASSY. W/ SHAFTS, TLR-7 | 1 |
| | 10126 | REPLACEMENT SPRING PINS: PIN, H.D.COILED SPRING 5/16 X 1-1/2 | 3 |
| 4 | 68013 | FLANGE, ROTARY CUTTER HD BASE, TLR7 | 1 |
| 5 | 68001 | BUSHING, RUBBER 1-1/4 X 49/64 X 7/8 | 6 |
| 6 | 68018 | SLEEVE, RUBBER BUSHING, TLR-7 | 3 |
| 7 | 10370 | SCREW, CAP 1/2-20 X 3-1/4 (GRADE 8) | 3 |
| 8 | 10205 | NUT, HEX LOCK 1/2-20 ZINC | 3 |
| 9 | 68067 | FLANGE, ROTARY CUTTER INNER, TLR-7 | 3 |
| 10 | 68016 | FLANGE, ROTARY CUTTER OUTER, TLR-7 | 3 |
| 11 | 10445 | NUT, HEX JAM 7/8-9 LEFT-HAND THREAD | 6 |
| 12 | 26010 26020 | TR3 CUTTER ASSEMBLIES TR3-24 SET OF 3 TRI-CUT CUTTERS (24-BIT) TR3-48 SET OF 3 TRI-CUT CUTTERS (48 BIT) | 1-SET |
| 13 | ----- | CUTTER ONLY (NOT AVAILABLE SEPARATE) | - |
| 14 | 68017 | SPACER 1-1/4"OD X 1"ID X 5/32"THK. | 1 EA.* |
| 15 | 68004 | BEARING, RADIAL BALL 25 X 62 X 17MM | 2 EA.* |
| 16 | 68006 | SEAL, FELT 2-1/2OD X 1-1/4ID X 3/16 | 2 EA.* |
| * NOTE: QUANTITIES FOR THESE ITEMS ARE BASED PER CUTTER. 3 CUTTERS ARE REQUIRED TOTAL. | | | |

EdcoParts.com

888-634-4289

An iBuy Stores Company

PARTS LISTING - ILLUSTRATION 5: ENGINE & BELT DRIVE GROUPING

| ITEM # | PART # | DESCRIPTION | QTY. |
|--------|--------|---------------------------------------|------|
| 1 | 76004 | ENGINE, HONDA GXV340UT2-DX3 | 1 |
| 2 | 40388 | CABLE, THROTTLE, LEVER-TYPE 24" | 1 |
| 3 | 10858 | SCREW, SHEET METAL #10 X 1/2 | 2 |
| 4 | 10982 | TIE, CABLE, BLACK NYLON 11-1/4" | 1 |
| 5 | 15190 | MANUAL CHOKE KIT FOR HONDA GXV340 | 1 |
| 6 | 15183 | LEVER, CHOKE CONTROL, GXV340 | 1 |
| 7 | 91301 | DECAL, CHOKE 5/8 X 5/8 | 1 |
| 8 | 15184 | CAP, FLAT RED .062 X .75 X 1 | 1 |
| 9 | 15185 | SCREW, MACHINE M6 X 16MM PHILLIP HD | 1 |
| 10 | 15188 | WASHER .265"ID, .50"OD, .029-.035"THK | 1 |
| 11 | 15187 | WASHER, FIBER .75 X .25 X .093 | 1 |
| 12 | 15186 | WASHER, BELLEVILLE .500 X.255 X.018 | 1 |
| 13 | 28026 | NUT, HEX NYLON LOCK M6 X 1MM | 1 |
| 14 | 11689 | ADAPTER, 20MM X 1.5 TO 1/4FPT | 1 |
| 15 | 10657 | BARB, PUSH-ON 3/8 HOSE X 1/4MPT | 1 |
| 16 | 56116 | HOSE, PUSH-ON 3/8"ID X 3"L | 1 |
| 17 | 11544 | BARB, PUSH-ON 3/8 HOSE X 1/4FPT | 1 |
| 18 | 10776 | PIPE PLUG 1/4 NPT (BRASS) | 1 |
| 19 | ----- | KEY (INCLUDED W/ ENGINE) | 1 |
| 20 | 76024 | CLUTCH, CENTRIFUGAL 3.5 X 2GR X 1 | 1 |
| 21 | 68033 | MOUNT PLATE, ENGINE, TLR-7 | 1 |
| 22 | 68034 | SPACER, ENGINE MOUNT, TLR-7 | 2 |
| 23 | 10225 | BUSHING, RUBBER, ENGINE MOUNT | 4 |
| 24 | 68035 | TENSIONER, ENGINE TLR-7 | 1 |
| 25 | 10056 | BOLT, CARRIAGE 5/16-18 X 2 | 2 |
| 26 | 10213 | WASHER, FLAT 5/16 SAE ZINC | 6 |
| 27 | 10801 | WASHER, LOCK 5/16 ZINC | 8 |
| 28 | 10054 | NUT, HEX 5/16-18 ZINC | 10 |
| 29 | 10606 | SCREW, CAP 5/16-18 X 1-1/4 | 2 |
| 30 | 10048 | SCREW, CAP 5/16-24 X 3/4 | 2 |
| 31 | ----- | SEE ITEM 26 | - |
| 32 | 52015 | BOLT, TAP 3/8-16 X 3-1/2(FULL THD.) | 1 |
| 33 | 10011 | SPACER, STEEL 5/8OD X 3/8ID X 3/8T | 1 |
| 34 | 10064 | BUSHING, SHEAVE SDS X 1-1/4"BORE | 1 |
| 35 | 75010 | SHEAVE 6.9"OD X 2GR.B X SDS | 1 |
| 36 | 10251 | BELT B-34 (21/32" x 13/32" x 37"OL) | 2 |

CONTINUED ON PAGE 14

PARTS LISTING CONTINUED - ILLUSTRATION 5: ENGINE & BELT DRIVE GROUPING

| ITEM # | PART # | DESCRIPTION | QTY. |
|--------|--------|--|------|
| 37 | 15201A | SWITCH W/ WIRES, ROCKER RED ON-OFF ADDITIONAL PARTS REQ'D. (NOT SHOWN): | 1 |
| | 50084 | TERM., RING #10 16-14GA. INSULATED | 1 |
| | 10831 | WASHER, LOCK, INT. TOOTH #10 | 1 |
| | 10877 | SCREW, CAP STSHW 10-24 X 1/2 | 1 |
| | 11567 | CONNECTOR, BULLET STD. 16-14GA.BLUE | 1 |
| | 11568 | CONNECTOR, LINE STD. 16-14GA.(BLUE) | 1 |
| | 10970 | CONN., WIRE QUICK-SPLICE 18-14 GA. | 1 |
| | 36042 | CLIP, NATURAL CORD, 1/8" X 1/4" | 3 |

DECAL SHEET

TLR7 14 x 17
PN 92219

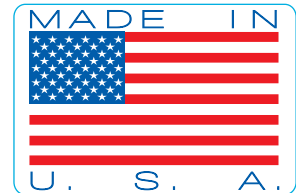


CHECK OIL DAILY

CALIFORNIA PROPOSITION 65 WARNING
The engine exhaust from this product contains chemicals known to the State of California to cause cancer, birth defects or other reproductive harm.

THROTTLE

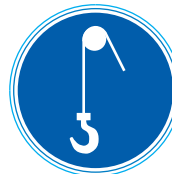
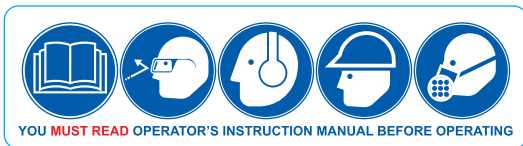
exceeds 85dBA



WARNING
THERE IS NO OIL IN THIS MACHINE



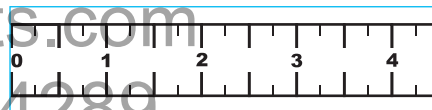
GREASE BEARINGS
DAILY



RENTAL-TOUGH

EDCO

EdcoParts.com
888-634-4289



An iBuy Stores Company