

PARTS AND OPERATION MANUAL

WHITEMAN

STH-SERIES RIDE-ON POWER TROWEL

© COPYRIGHT 2001, MULTIQUIP INC.

Revision #5 (06/08/05)



MULTIQUIP INC.

18910 WILMINGTON AVE.
CARSON, CALIFORNIA 90746
310-537-3700
800-421-1244
FAX: 310-537-3927

E-mail: mq@multiquip.com • **www:** multiquip.com

Atlanta • Boise • Dallas • Houston • Newark
Montreal, Canada • Manchester, UK
Rio De Janeiro, Brazil • Guadalajara, Mexico

PARTS DEPARTMENT:

800-427-1244
FAX: 800-672-7877
SERVICE DEPARTMENT/TECHNICAL ASSISTANCE:
800-478-1244
FAX: 310-631-5032

STH-55JD-TC — PIVOT ASSY. (LEFT)

LEFT PIVOT ASSY.

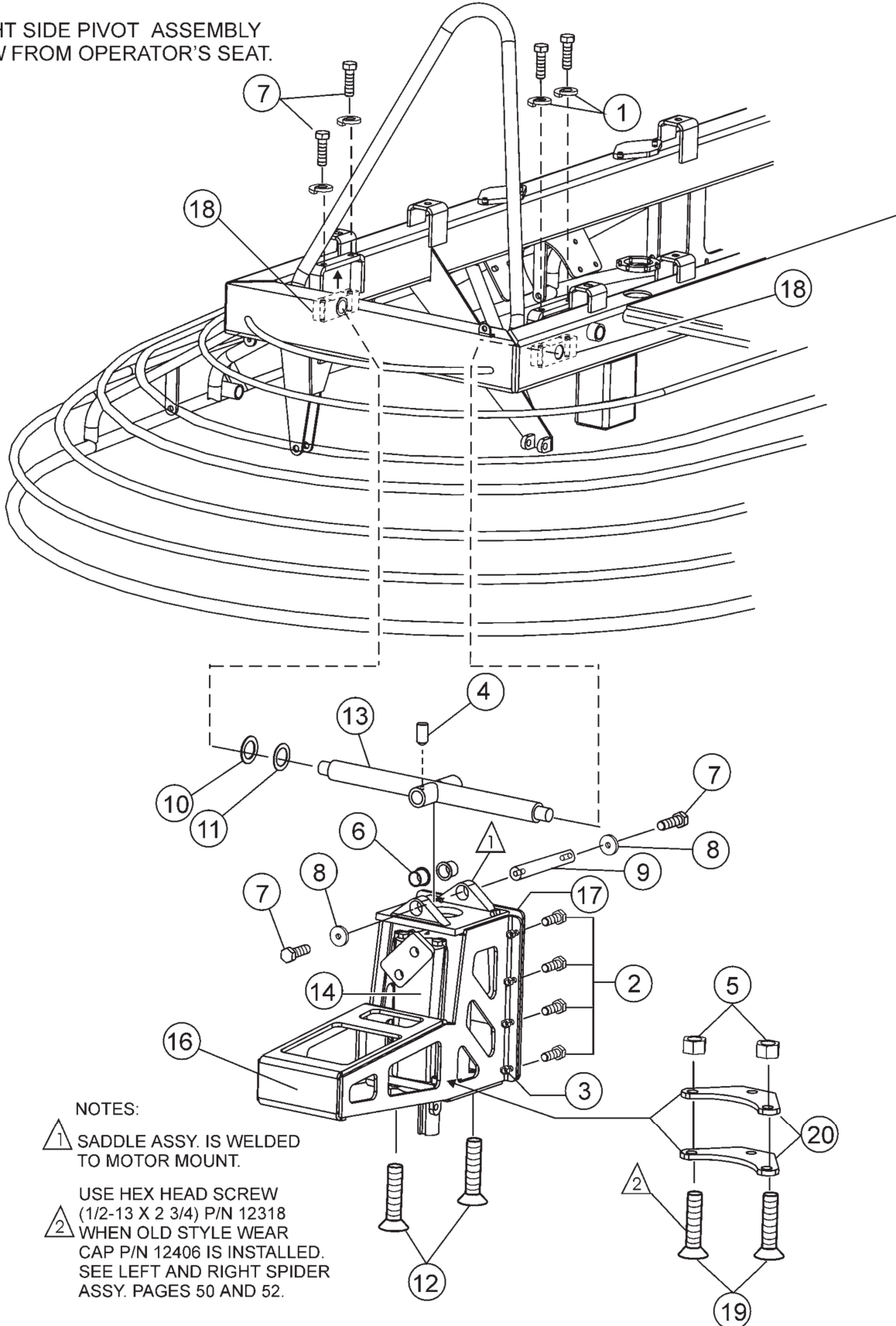
<u>NO</u>	<u>PART NO</u>	<u>PART NAME</u>	<u>QTY</u>	<u>REMARKS</u>
1	0166 A	WASHER, LOCK, 3/8 MED	4	
2	0205	SCREW, HHC 3/8-16 X 1	10	
3	10133	NUT, NYLOC 3/8-16	8	
5	10176	NUT, NYLOC 1/2-13	4	
7	1023	SCREW, HHC 3/8-16 X 1 1/4	4	
10	11772	SHIM, TRUNNION .063 THICK	1	
11	11773	SHIM, TRUNNION .031 THICK	1	
12	11882	SCREW, FHSC 1/2-13 X 2 1/4	2	
14	12112	MOTOR, HYD STH 112-11209	1	
15	12291	MOUNT, HYD MOTOR LEFT W/A	1	
17	12295	PLATE, HYD MOTOR MOUNT END	1	
18	12304	ROCKER BLOCK	2	
19	12591	SCREW, FLUSH HEAD 1/2-13 X 3	2	STH UNITS S/N IK60764 AND LATER. ALSO SEE NOTE
20	12480	PLATE, MOTOR STEERING MT	2	

NOTE:

IF WEAR CAP 12406 IS INSTALLED (STH's WITH S/N IK60763 AND BELOW) USE P/N 12318 (SCREW, HEX HEAD 1/2-13 X 2 3/4).

STH-55JD-TC — PIVOT ASSY. (RIGHT)

RIGHT SIDE PIVOT ASSEMBLY
VIEW FROM OPERATOR'S SEAT.



- NOTES:
- 1 SADDLE ASSY. IS WELDED TO MOTOR MOUNT.
 - 2 USE HEX HEAD SCREW (1/2-13 X 2 3/4) P/N 12318 WHEN OLD STYLE WEAR CAP P/N 12406 IS INSTALLED. SEE LEFT AND RIGHT SPIDER ASSY. PAGES 50 AND 52.

STH-55JD-TC — PIVOT ASSY. (RIGHT)

RIGHT PIVOT ASSY.

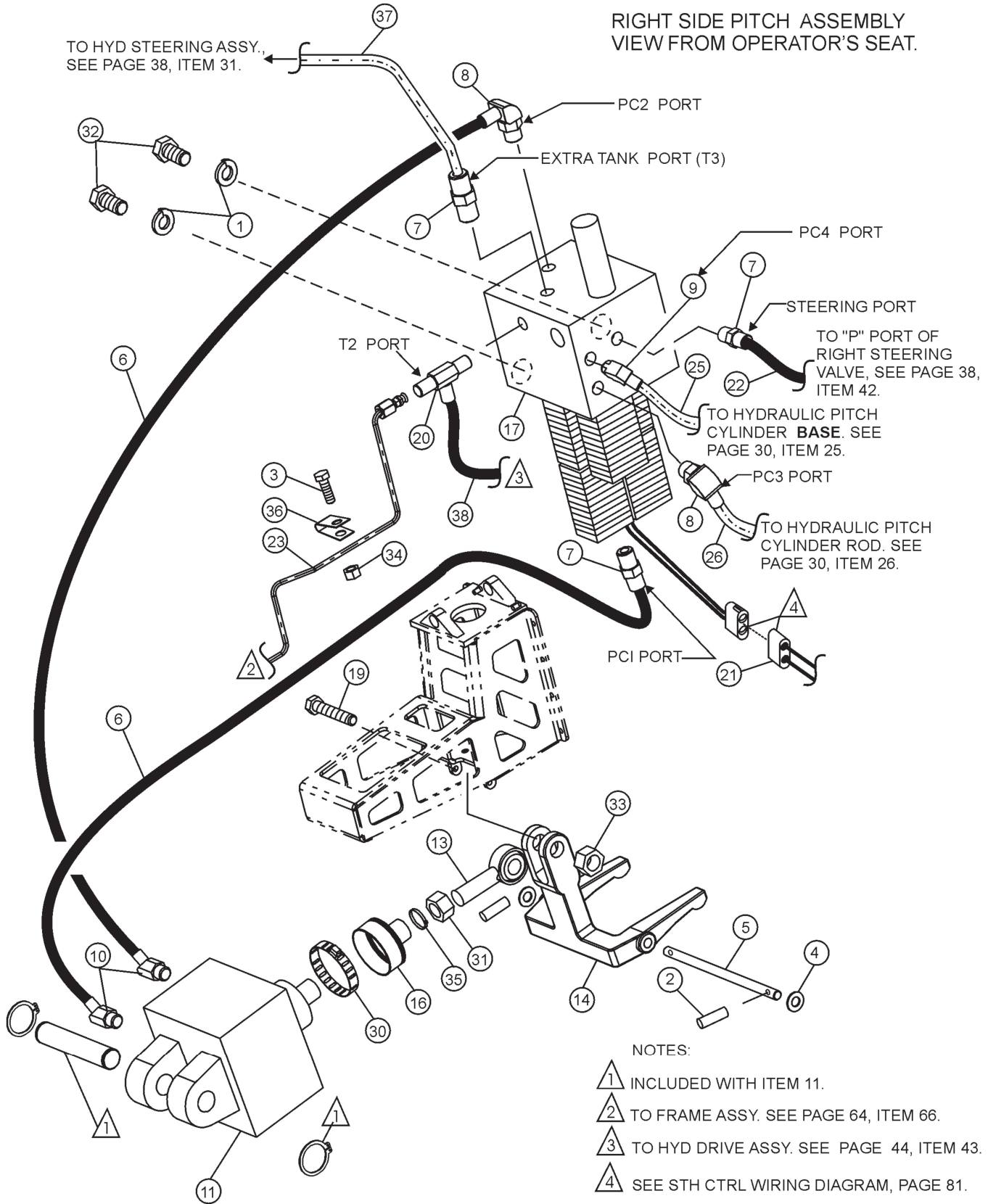
<u>NO</u>	<u>PART NO</u>	<u>PART NAME</u>	<u>QTY</u>	<u>REMARKS</u>
1	0166 A	WASHER, LOCK, 3/8 MED	4	
2	0205	SCREW, HHC 3/8-16 X 1	10	
3	10133	NUT, NYLOC 3/8-16	8	
4	10138	SCREW, SHS 1/4-20 X 1/2, N.P.	1	
5	10176	NUT, NYLOC 1/2-13	4	
6	10221	BUSHING, 1ID X 1.1/8 OD X 1 LG	2	
7	1023	SCREW, HHC 3/8-16 X 1 1/4	6	
8	11154	RETAINER, CENTRIFUGAL CLUTCH	1	
9	11420	SHAFT, PIVOT	1	
10	11772	SHIM, TRUNNION .063 THICK	1	
11	11773	SHIM, TRUNNION .031 THICK	1	
12	11882	SCREW, FHSC 1/2-13 X 2 1/4	2	
13	12086	TRUNNION W/A	1	
14	12112	MOTOR, HYD STH 112-11209	1	
16	12292	MOUNT, HYD MOTOR RIGHT W/A	1	
17	12295	PLATE, HYD MOTOR MOUNT END	1	
18	12304	ROCKER BLOCK	2	
19	12591	SCREW, FLUSH HEAD 1/2-13 X3	2	STH UNITS S/N IK60764 AND LATER. ALSO SEE NOTE
20	12480	PLATE, MOTOR STEERING MOUNT	2	

NOTE:

IF WEAR CAP 12406 IS INSTALLED (STH's WITH S/N IK60763 AND BELOW) USE P/N 12318 (SCREW, HEX HEAD 1/2-13 X 2 3/4).

STH-55JD-TC — PITCH ASSY. (RIGHT)

RIGHT SIDE PITCH ASSEMBLY
VIEW FROM OPERATOR'S SEAT.



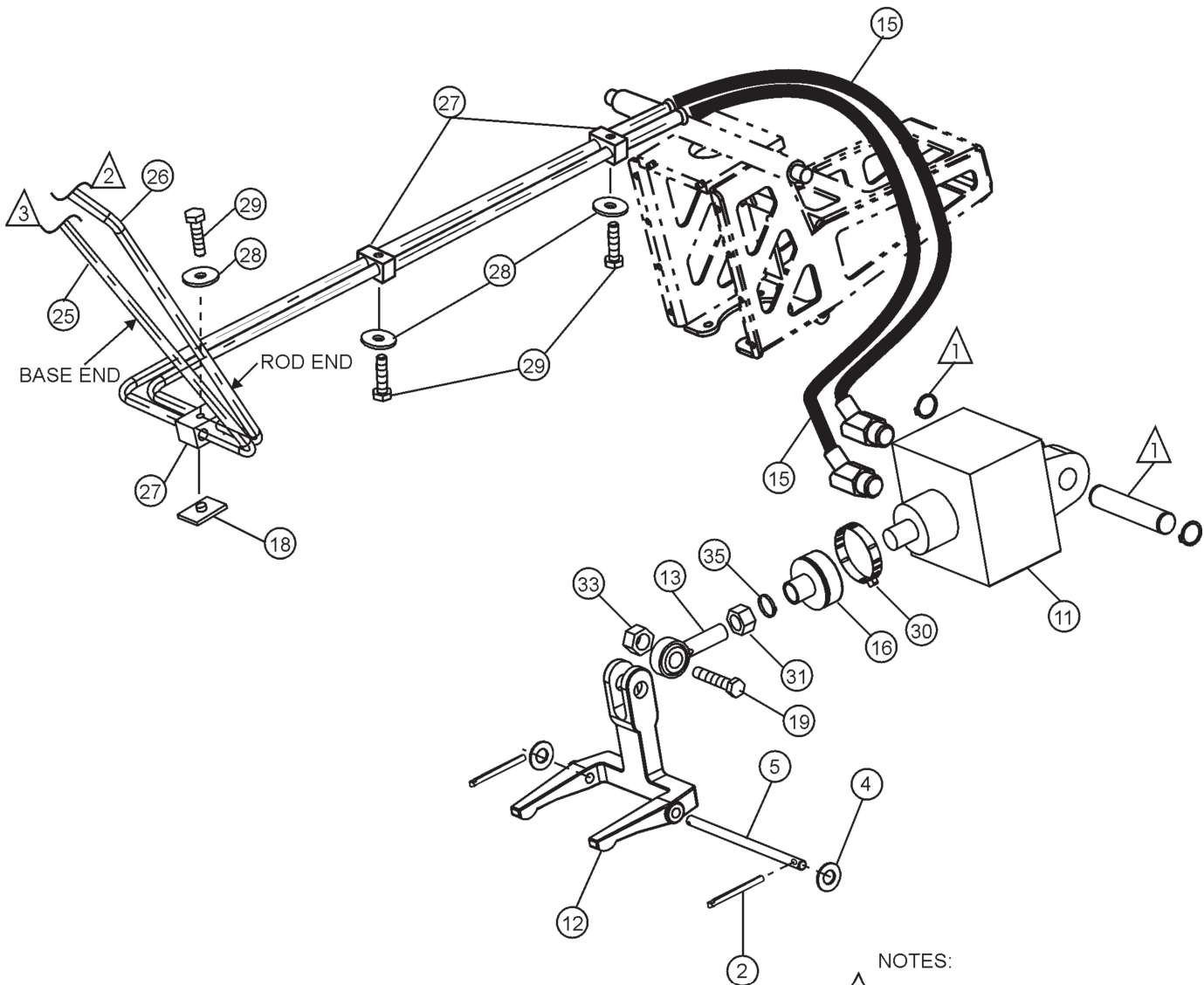
STH-55JD-TC — PITCH ASSY. (RIGHT)

PITCH (RIGHT) ASSY.

<u>NO</u>	<u>PART NO</u>	<u>PART NAME</u>	<u>QTY</u>	<u>REMARKS</u>
1	0166A	WASHER, LOCK, 3/8 MED	2	
2	0183	PIN, COTTER 1/8 X 1 ¼	2	
3	0202	SCREW, HHC 1/16-18 X 1	1	
4	0448	WASHER, FLAT, 7/16 SAE	2	
5	11648	SHAFT, YOKE PIVOT	2	
6	11699	HOSE, BLACK 52. 1/2, 3/8ID	2	
7	11721	FITTING, STR 6MJ-6MO	3	
8	11722	FITTING, 90 6MJ-6MO	2	
9	11780	FITTING, 45 6MJ-6MO	1	
10	11889	FITTING, 45 6MJ-8MO	2	
11	11966	CYLINDER, STH PITCH	1	
13	11972	CONNECTOR ROD END, 3/4 MALE	1	
14	12030	YOKE, STH PITCH LONG ARM	1	
16	12096	BELLOWS, PITCH CYLINDER	1	
17	12116	VALVE ASM, PITCH CONTROL STH	1	
19	12151	SCREW, HHC 3/4-10 X 2-3/4	1	
20	12159	FITTING, TEE 6MJ-6MO-6MJ RUN	1	
21	12183	WIRE ASM, STH CTRL	1	STH S/N ABOVE IJ60711
21	12579	WIRE ASM, STH CTRL	1	STH S/N BELOW IJ60710
22	12257	HOSE ASM, 3/8 ID X 24L 06FJ	1	
23	12246	TUBE, HYD, MANIFOLD DRAIN	1	
24	12247	FITTING, 90 6MJ-3/8MP	1	
25	12259	TUBE, HYD PITCH CYL BASE	1	
26	12260	TUBE, HYD PITCH CYL ROD	1	
30	12277	CLAMP, WORM HOSE 46/70 MM	1	
31	1648	NUT, HEX JAM 3/4-16	1	
32	4196	SCREW, HHC 3/8-16 X 3/4	2	
33	5070B	NUT, NYLOC 3/4-10	1	
34	5283	NUT, NYLOC 5/16-18	1	
35	60103	TIE WRAP, .312W X 8L X .082 THK	1	
36	8128	CLAMP, HOSE SUPPORT, 5/16"	1	
37	12244	TUBE, HYD STEERING RETURN	1	
38	12213	HOSE ASM, 3/8 X 90 ONE END	1	

STH-55JD-TC — PITCH ASSY. (LEFT)

LEFT SIDE PITCH ASSEMBLY
VIEW FROM OPERATORS SEAT.



NOTES:

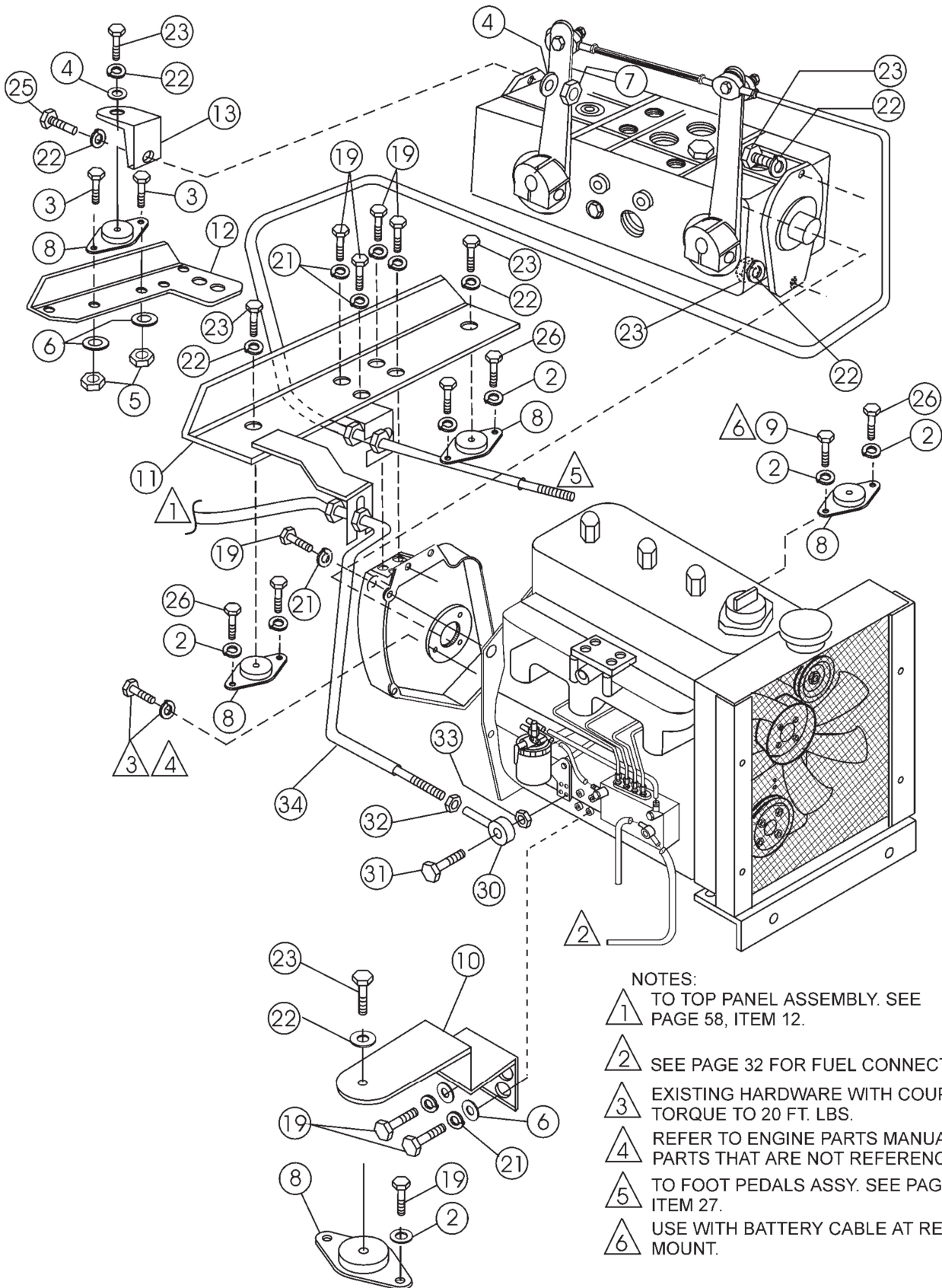
- ① INCLUDED WITH ITEM 11.
- ② TO ITEM 26. SEE PAGE 28.
- ③ TO ITEM 25, SEE PAGE 28.

STH-55JD-TC — PITCH ASSY. (LEFT)

PITCH (LEFT) ASSY.

<u>NO</u>	<u>PART NO</u>	<u>PART NAME</u>	<u>QTY</u>	<u>REMARKS</u>
2	0183	PIN, COTTER 1/8 X 1 ¼	2	
4	0448	WASHER, FLAT, 7/16 SAE	2	
5	11648	SHAFT, YOKE PIVOT	1	
11	11966	CYLINDER, STH PITCH	1	
12	11969	YOKE, STH PITCH SHORT ARM	1	
13	11972	CONNECTOR ROD END, 3/4 MALE	1	
15	12079	HOSE ASM, 3/8 X 17 STR ENDS	2	
16	12096	BELLOWS, PITCH CYLINDER	1	
18	12138	CLAMP BASE, 3/8 TUBE DOUBLE	1	
19	12151	SCREW, HHC 3/4-10 X 2-3/4	1	
25	12259	TUBE, HYD PITCH CYL BASE	1	
26	12260	TUBE, HYD PITCH CYL ROD	1	
27	12273	CLAMP, 3/8 TUBE PLASTIC PAIR	3	
28	12274	COVER, CLAMP STAUFF USDS1	3	
29	12275	SCREW, CLAMP STAUFF ASDS1	3	
30	12277	CLAMP, WORM HOSE 46/70MM	2	
31	1648	NUT, HEX JAM 3/4-16	1	
33	5070B	NUT, NYLOC 3/4-10	1	
35	60103	TIE WRAP, .312W X 8L X .082THK	1	

STH-55JD-TC — ENGINE (JOHN DEERE)



NOTES:

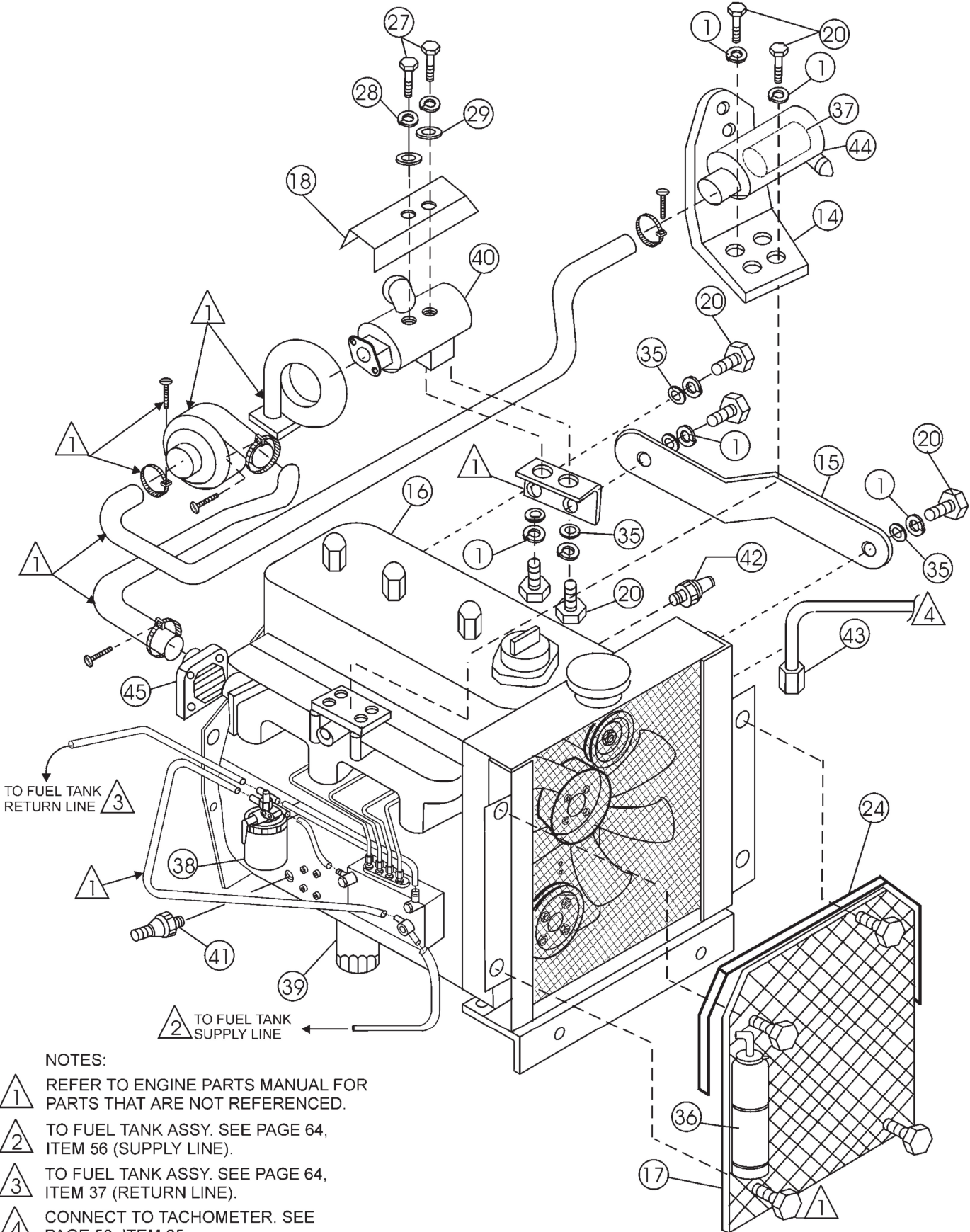
- 1 TO TOP PANEL ASSEMBLY. SEE PAGE 58, ITEM 12.
- 2 SEE PAGE 32 FOR FUEL CONNECTIONS.
- 3 EXISTING HARDWARE WITH COUPLER. TORQUE TO 20 FT. LBS.
- 4 REFER TO ENGINE PARTS MANUAL FOR PARTS THAT ARE NOT REFERENCED.
- 5 TO FOOT PEDALS ASSY. SEE PAGE 66, ITEM 27.
- 6 USE WITH BATTERY CABLE AT REAR MOTOR MOUNT.

STH-55JD-TC — ENGINE (JOHN DEERE)

ENGINE (JOHN DEERE)

<u>NO</u>	<u>PART NO</u>	<u>PART NAME</u>	<u>QTY.</u>	<u>REMARKS</u>
2	0166 A	WASHER, LOCK, 3/8 MED	8	
3	0205	SCREW, HHC 3/8-16 X 1	2	
4	0447	WASHER, FLAT, 1/2 SAE	2	
5	10133	NUT, NYLOC 3/8-16	2	
6	10136	WASHER, FLAT, 3/8 SAE	10	
7	10176	NUT, NYLOC 1/2-13	1	
8	11577	MOUNT, MACHINERY	5	
9	11691	SCREW, HHC 3/8-24 X 3/4	1	
10	11799	MOUNT, LEFT MOTOR	2	
11	11854	MOUNT, RIGHT MOTOR W/A	1	
12	12033	SUPPORT, PUMP TAIL	1	
13	12035	SUPPORT, PUMP W/A	1	
19	16056	SCREW, HHC M10-1.5 X 25 MM	16	
21	2955	WASHER, LOCK, 7/16	20	
22	5054 A	WASHER, LOCK, 1/2 MED.	9	
23	5218	SCREW, HHC 1/2-13 X 1 1/2	8	
25	6159 A	SCREW, HHC 1/2-13 X 2	1	
26	6869	SCREW, HHC 3/8-24 X 1/2	7	
30	2153	ROD END	1	
31	3513	SCREW	1	
32	0937	NUT, HEX	1	
33	10019	NUT, NYLOC	1	
34	10568	CABLE THROTTLE	1	

STH-55JD-TC — ENGINE (JOHN DEERE)



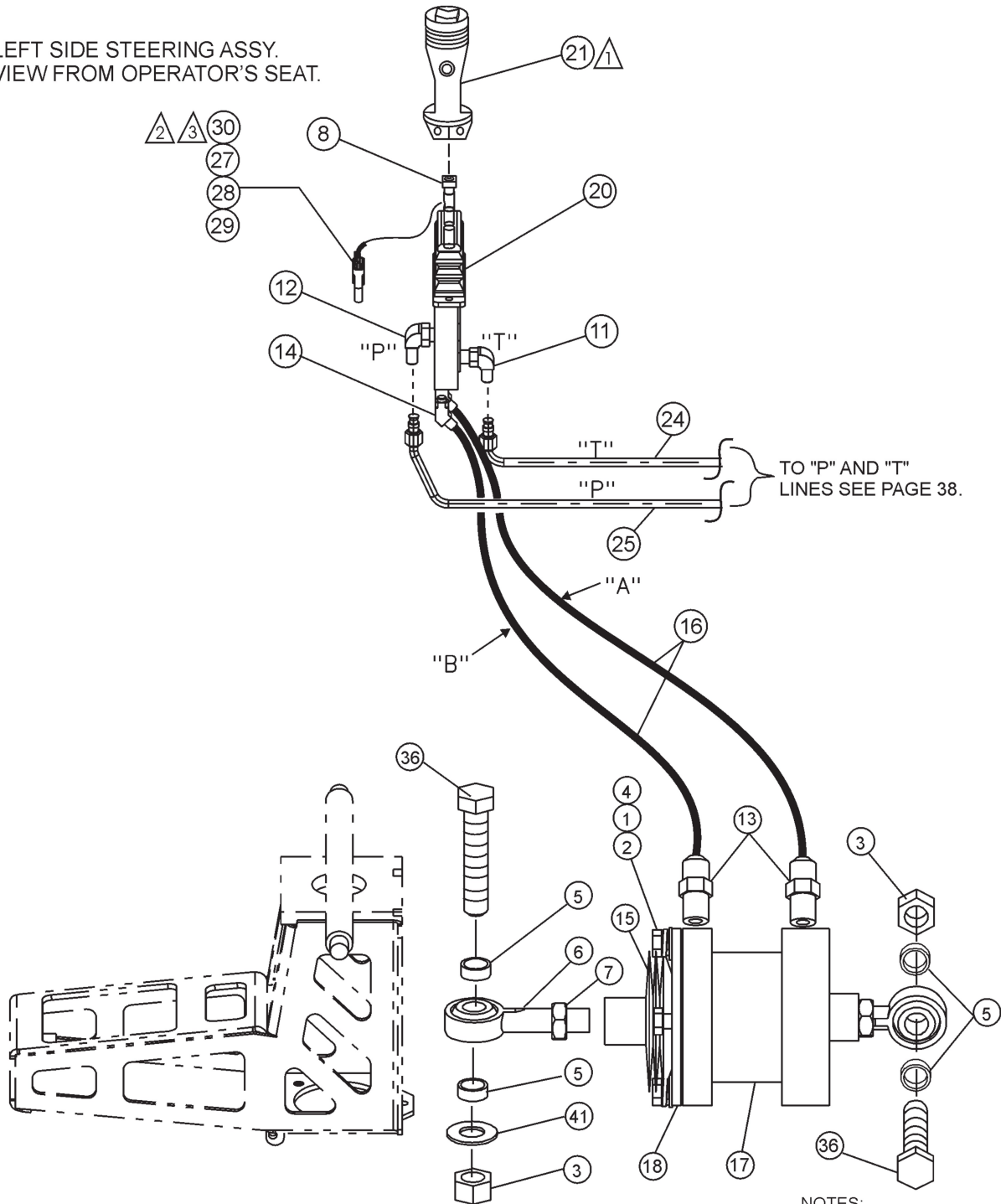
STH-55JD-TC — ENGINE (JOHN DEERE)

ENGINE (JOHN DEERE)

<u>NO</u>	<u>PART NO</u>	<u>PART NAME</u>	<u>QTY.</u>	<u>REMARKS</u>
1	0161C	WASHER, LOCK, 5/16 MED	6	
14	12041	MOUNT AIR FILTER	1	
15	12071	RADIATOR BRACKET, LARGE	1	
16	12104	ENGINE JD4020TF005, 55 HP	1	JOHN DEERE
17	12122	COVER, RADIATOR	1	
20	2866	SCREW, HHC M8-1.25 X 20 MM	6	
24	60049	TRIM EDGE 1/32 (62B3-1/32)	2	
27	0131 A	SCREW	2	
28	0181 B	LOCK WASHER	2	
29	0948	WASHER, FLAT, 5/16 SAE	2	
35	0300 B	FLAT WASHER	4	
36	121256-44600	BRACKET, OVERFLOW BOTTLE	1	NORTHSTAR
37	JDRG60690	AIR FILTER (ELEMENT)	1	
38	JDT111383	FUEL FILTER	1	
39	JDM801209	OIL FILTER	1	
40	12617	MUFFLER	1	
41	JDRG60510	OIL SENDER UNIT	1	
42	JDT110736	WATER TEMP. SENDER UNIT	1	
43	TC007	7 FT. TACHOMETER CABLE	1	
44	JDRG60688	CANNISTER, AIR FILTER	1	
45	JDM81118	HEATER	1	

STH-55JD-TC — HYDRAULIC STEERING (LEFT) ASSY.

LEFT SIDE STEERING ASSY.
VIEW FROM OPERATOR'S SEAT.



NOTES:

▲ SEE PAGE 42 FOR HANDLE ASSY. PARTS BREAKDOWN.

▲ REQUIRES HAND CRIMP TOOL WAYTEK P/N 402 OR PACKARD P/N GM 12014254.

▲ WHEN REMOVING WIRE USE TERMINAL EXTRACTION TOOL WAYTEK P/N 421.

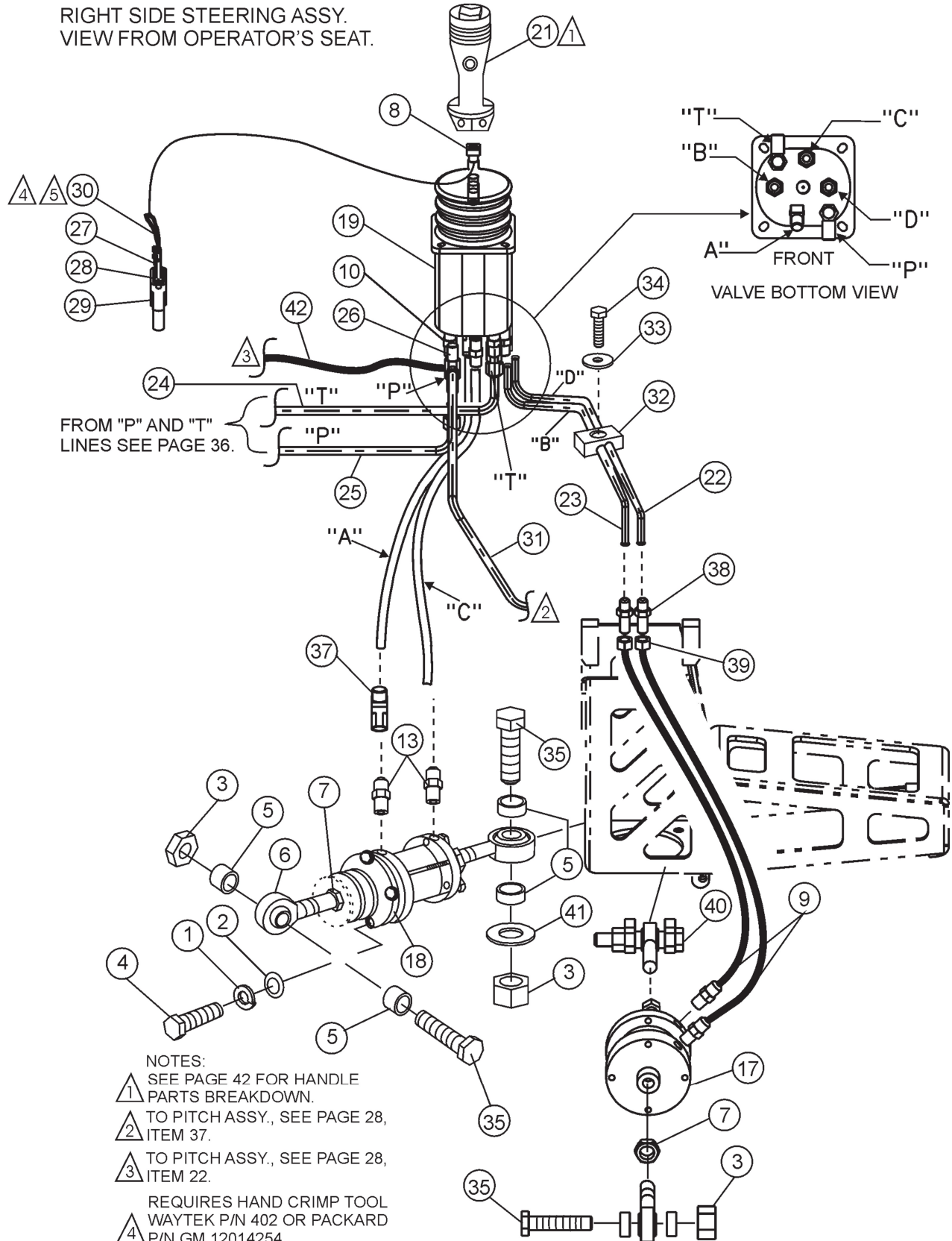
STH-55JD-TC — HYDRAULIC STEERING (LEFT) ASSY.

HYDRAULIC STEERING (LEFT) ASSY.

<u>NO</u>	<u>PART NO</u>	<u>PART NAME</u>	<u>QTY.</u>	<u>REMARKS</u>
1	0161 C	WASHER, LOCK, 5/16 MED.	4	
2	0300 B	WASHER, FLAT, 5/16 SAE	4	
3	10176	NUT, NYLOC 1/2-13	2	
4	10229	SCREW, HHC 5/16-24 X 1	4	
5	11141	SPACER, ROD END	4	
6	11142	ROD END, 1/2-20 MALE RH	2	
7	11146	NUT, HEX JAM 1/2-20	2	
8	11676	TUBE, HANDLE	1	
11	11722	FITTING, 90 6MJ-6MO	1	
12	11723	FITTING, 90 6MJ-8MO	1	
13	11725	FITTING, STR 6MJ-1/4MP	2	
14	11780	FITTING, 45 6MJ-6MO	2	
15	12038	BELLOWS, STEERING CYL.	1	
16	12055	HOSE ASM, 3/8X36 LNG 45 ONE END	2	
17	12056	CYLINDER, HYD STEERING	1	
18	12060	PLATE, BELLOWS MOUNTING	1	
20	12099	VALVE, STRG LSIDE HUSCO7470-A47	1	
21	12115	HANDLE, STEERING TWO SWITCH	1	
24	12141	TUBE, HYD STEERING PRESSURE	1	
25	12142	TUBE, HYD STEERING RETURN	1	
27	12171	SEAL, WEATHERPACK 16-18 GA	1	
28	12172	SEAL, CABLE PACKARD 39004	3	
29	12177	CONNECTOR ELEC PACKARD 38046	1	
30	12223	TERMINAL, MALE PACKARD 30034	4	
36	12402	SCREW, HHC 1/2-13 X2 1/2	2	
41	0447	WASHER FLAT 1/2 SAE	2	

STH-55JD-TC — HYDRAULIC STEERING (RIGHT) ASSY.

RIGHT SIDE STEERING ASSY.
VIEW FROM OPERATOR'S SEAT.



- NOTES:
- ① SEE PAGE 42 FOR HANDLE PARTS BREAKDOWN.
 - ② TO PITCH ASSY., SEE PAGE 28, ITEM 37.
 - ③ TO PITCH ASSY., SEE PAGE 28, ITEM 22.
 - ④ REQUIRES HAND CRIMP TOOL WAYTEK P/N 402 OR PACKARD P/N GM 12014254.
 - ⑤ WHEN REMOVING WIRE USE TERMINAL EXTRACTION TOOL WAYTEK P/N 421.

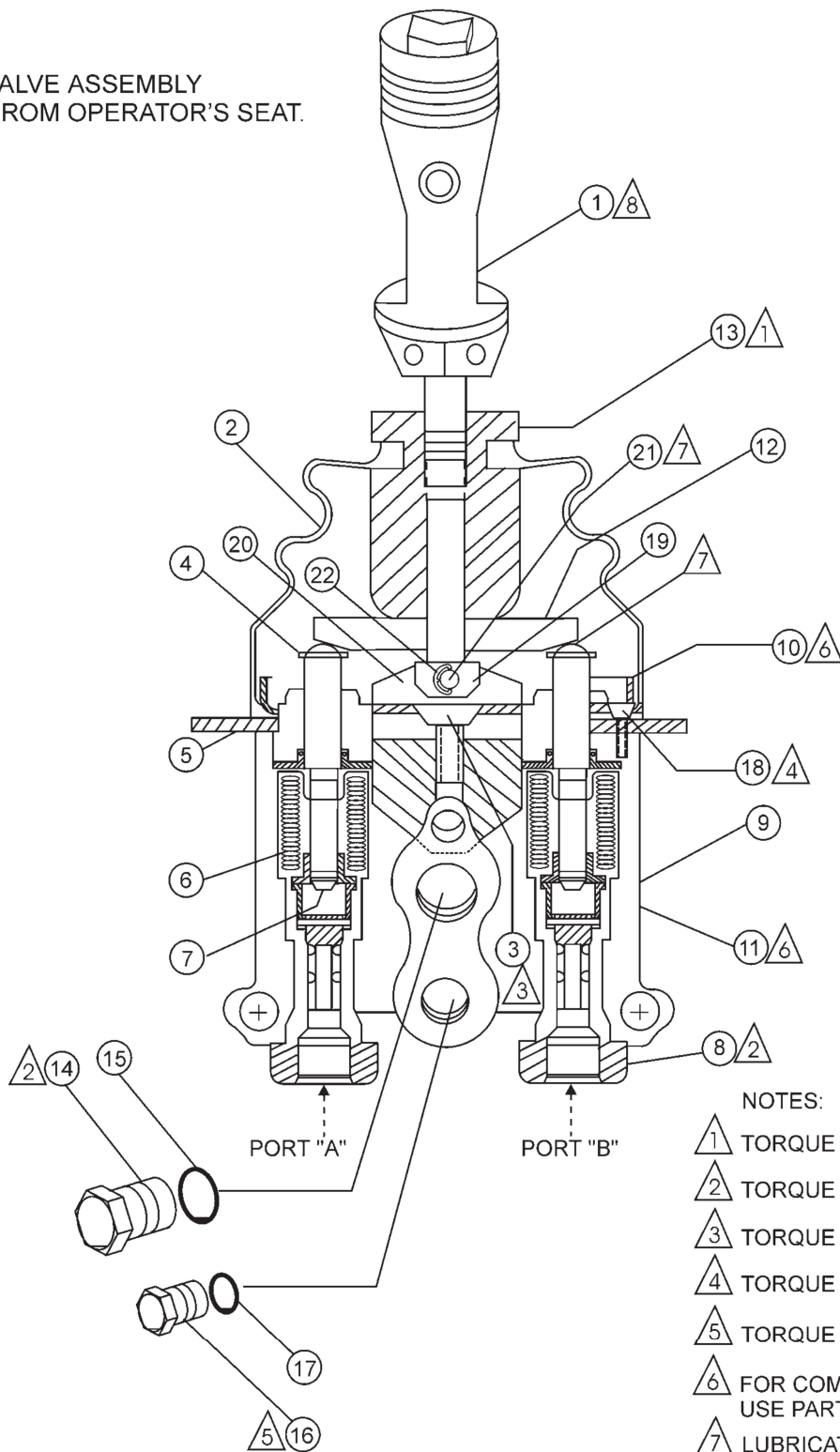
STH-55JD-TC — HYDRAULIC STEERING (RIGHT) ASSY.

HYDRAULIC STEERING (RIGHT) ASSY.

<u>NO</u>	<u>PART NO</u>	<u>PART NAME</u>	<u>QTY.</u>	<u>REMARKS</u>
1	0161 C	WASHER, LOCK, 5/16 MED.	8	
2	0300 B	WASHER, FLAT, 5/16 SAE	8	
3	10176	NUT, NYLOC 1/2-13	3	
4	10229	SCREW, HHC 5/16-24 X 1	8	
5	11141	SPACER, ROD END	6	
6	11142	ROD END, 1/2-20 MALE RH	4	
7	11146	NUT, HEX JAM 1/2-20	4	
8	11676	TUBE, HANDLE	1	
9	11698	HOSE, BLACK 15.1/2. 3/8ID	2	
10	11721	FITTING STR 6MJ-6MO	3	
13	11725	FITTING, STR 6MJ-1/4MP	4	
17	12056	CYLINDER, HYD STEERING	2	
18	12060	PLATE, BELLOWS MOUNTING	2	
19	12098	VALVE, STRG R SIDE HUSCO7480-66	1	
21	12115	HANDLE, STEERING TWO SWITCH	1	
22	12136	TUBE, HYD STEERING RETURN	1	
23	12137	TUBE, HYD STEERING PRESSURE	1	
24	12141	TUBE, HYD STEERING PRESSURE	1	
25	12142	TUBE, HYD STEERING RETURN	1	
26	12159	FITTING, TEE 6MJ-6MO-6MJ RUN	2	
27	12171	SEAL, WEATHERPACK 16-18 GA	1	
28	12172	SEAL, CABLE PACKARD 39004	3	
29	12177	CONNECTOR ELEC PACKARD 38046	1	
30	12223	TERMINAL, MALE PACKARD 30034	4	
31	12244	TUBE, HYD STEERING RETURN	1	
32	12273	CLAMP, 3/8 TUBE PLASTIC PAIR	1	
33	12274	COVER, CLAMP STAUFF USDS1	1	
34	12275	SCREW, CLAMP STAUFF ASDS1	1	
35	12318	SCREW, HHC 1/2-13 X 2 3/4	3	
37	12409	FITTING, 45 6MJ-GFJ SWIVEL	1	
38	16333	FITTING, STR 6MJ BLKHD UNION	2	
39	16334	NUT, HEX JAM BLKHD .5625-18UNF	2	
40	2549	SCREW, HHC 1/2-13 X3	1	
41	0447	WASHER FLAT 1/2 SAE	2	
42	12257	HOSE ASM 3/8 ID X24L 06FJ	1	

STH-55JD-TC — VALVE ASSY. (LEFT)

LEFT VALVE ASSEMBLY
VIEW FROM OPERATOR'S SEAT.



NOTES:

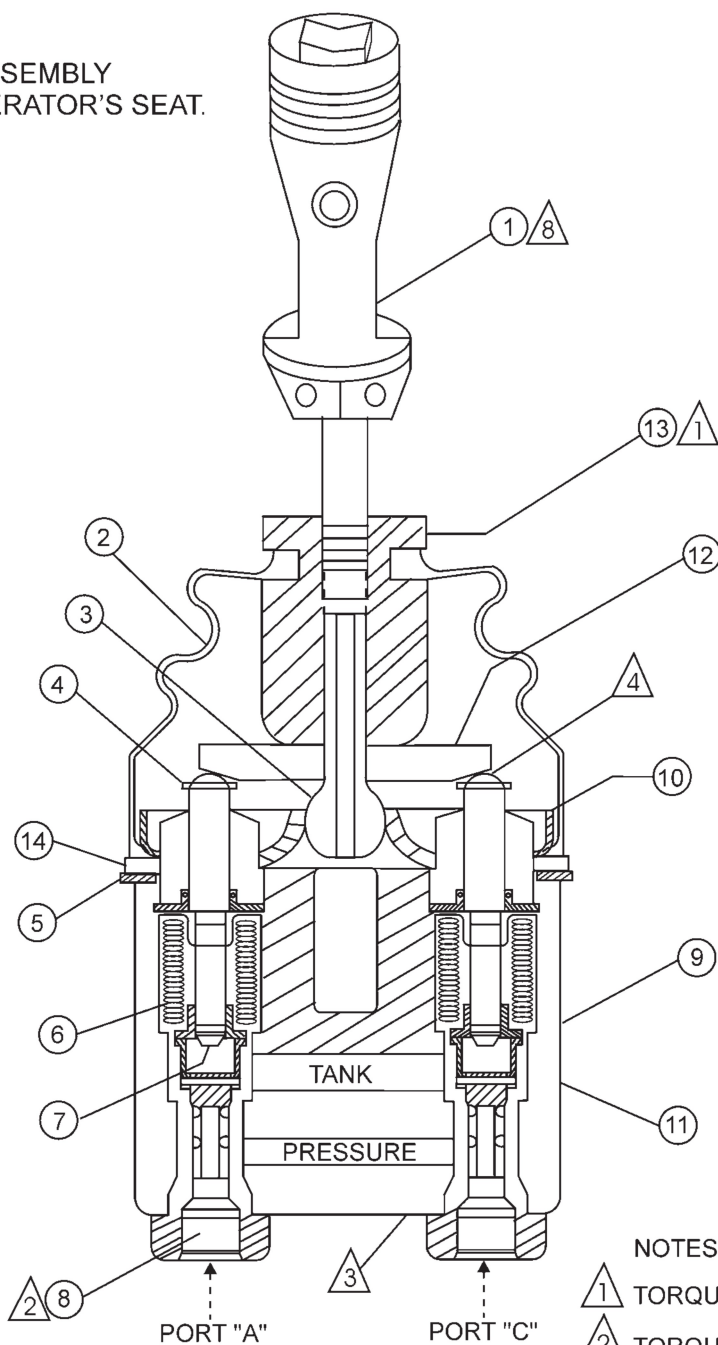
- ① TORQUE TO 48 ± 5 FT. LBS
- ② TORQUE TO 33 ± 3.5 FT. LBS
- ③ TORQUE TO 14 ± 1.5 FT. LBS
- ④ TORQUE TO 7 ± 1.0 FT. LBS
- ⑤ TORQUE TO 18 ± 2.0 FT. LBS
- ⑥ FOR COMPLETE VALVE ASSY. USE PART NUMBER 12099.
- ⑦ LUBRICATE PIVOT JOINT, PLATE AND PLUNGER CONTACT AREAS AS REQUIRED.
- ⑧ FOR HANDLE ASSY. PARTS BREAK-DOWN SEE PAGE 42.

STH-55JD-TC — VALVE ASSY. (LEFT)

VALVE ASSY.(LEFT)

<u>NO</u>	<u>PART NO</u>	<u>PART NAME</u>	<u>QTY.</u>	<u>REMARKS</u>
1	12115	HANDLE	1	
2*	12519	BOOT, LEFT	1	
3*	HU51761	CAP SCREW-FLAT HD	1	
4*	HU51770	RETAINING RING-EXT	2	
5*	12536	GASKET	2	
6*	HU53748	SPRING	2	
7*	12523	PLUNGER CAPSULE ASSY.	2	
8*	12521	METERING CAPSULE ASSY.	2	
9*	HU7472-A11	HOUSING- PILOT VALVE	1	
10*	HU51773-1	CLAMP BOOT	1	
11	12099	VALVE , ASSY (LEFT)	1 INCLS. ITEMS W/*
12*	HU51941	PLATE-PIVOT	1	
13*	HU51494	NUT-SPECIAL	1	
14*	HU3108	PLUG-SAE	1	
15*	HU53-908	O-RING	1	
16*	HU3182	PLUG-SAE	1	
17*	HU53-906	O-RING	1	
18*	HU51775	CAP SCREW-FLAT HD	1	
19*	HU51771-1	BOLT-PIVOT	1	
20*	HU51769	BRACKET-PIVOT	1	
21*	HU51774	PIN-PIVOT	1	
22*	HU51770	RETAINING RING-EXT	2	

RIGHT VALVE ASSEMBLY
VIEW FROM OPERATOR'S SEAT.



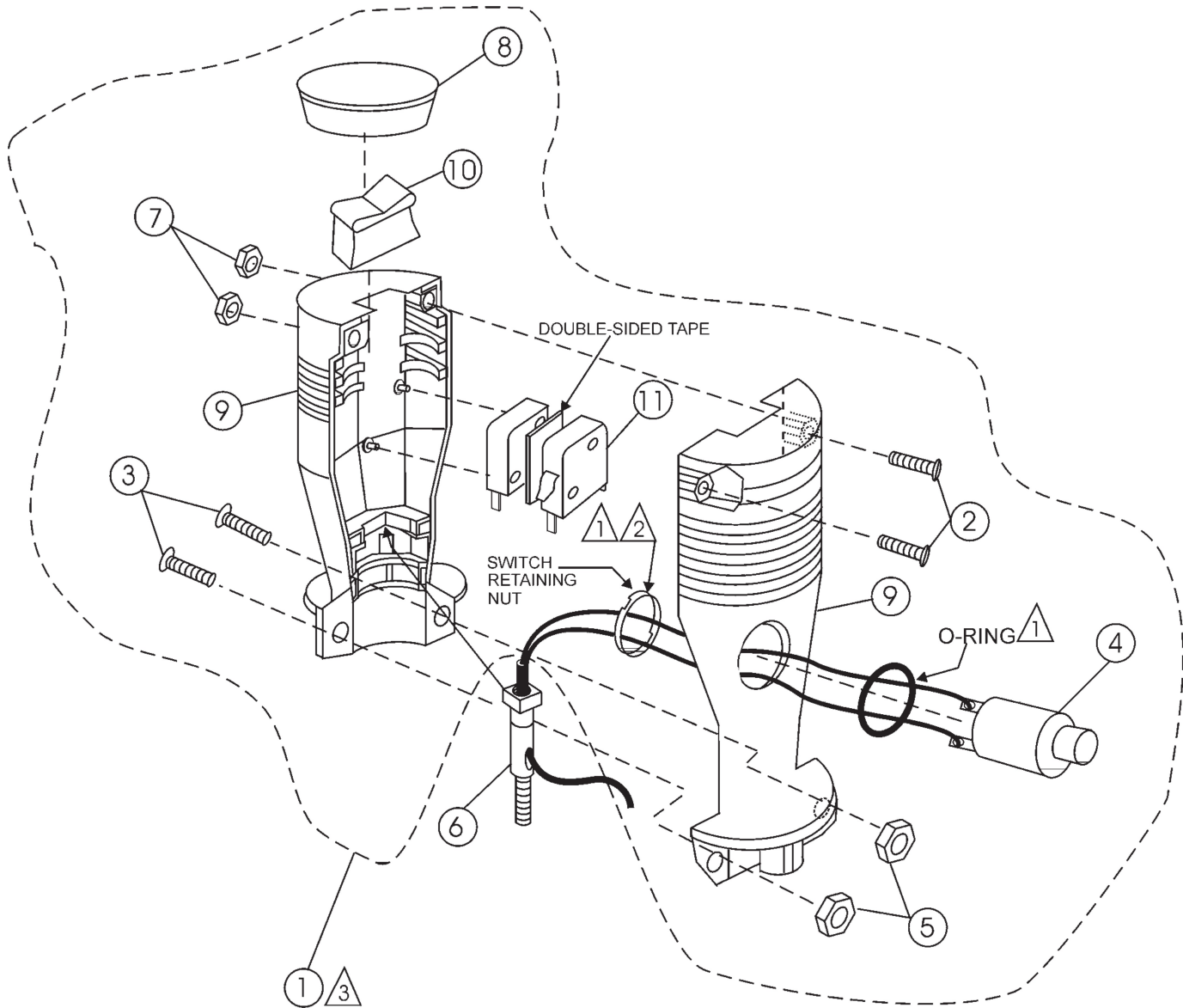
NOTES:

- ① TORQUE TO 48 ± 5 FT. LBS
- ② TORQUE TO 33 ± 3.5 FT. LBS
- ③ FOR COMPLETE VALVE ASSY. USE PART NUMBER 12098.
- ④ LUBRICATE BALL AND SOCKET JOINT, ACTUATOR PLATE, AND PLUNGER CONTACT AREAS AS REQUIRED.
- ⑤ FOR HANDLE ASSY. PARTS BREAKDOWN SEE PAGE 42.

VALVE ASSY. (RIGHT)

<u>NO</u>	<u>PART NO</u>	<u>PART NAME</u>	<u>QTY.</u>	<u>REMARKS</u>
1	12115	HANDLE	1	
2*	12518	BOOT, RIGHT	1	
3*	HUP51999	BOLT ASSY, PIVOT	1	
4*	HU53616	RETAINING RING-EXT	2	
5*	12535	GASKET	4	
6*	HU53748	SPRING	4	
7*	12523	PLUNGER CAPSULE ASSY.	4	
8*	12521	METERING CAPSULE ASSY.	4	
9*	HU51505-A1	HOUSING VALVE	1	
10*	HU52698	CLAMP, BOOT	1	
11	12098	VALVE ASSY (RIGHT)	1	INCLS. ITEMS W/*
12*	HU51489	PLATE-PIVOT	1	
13*	HU51494	NUT-SPECIAL	1	
14*	12520	MOUNTING PLATE	1	

STH-55JD-TC — HANDLE ASSY.



NOTES:

△ O-RING AND SWITCH RETAINING NUT ARE PART OF ITEM 4 (P/N 12473).

△ APPLY A SMALL AMOUNT OF LOW STRENGTH LOCTITE TO HOLD SWITCH RETAINING NUT IN PLACE.

△ INCLUDES ALL ITEMS WITHIN OUTLINE. FOR COMPLETE HANDLE ASSEMBLY USE P/N 12115.

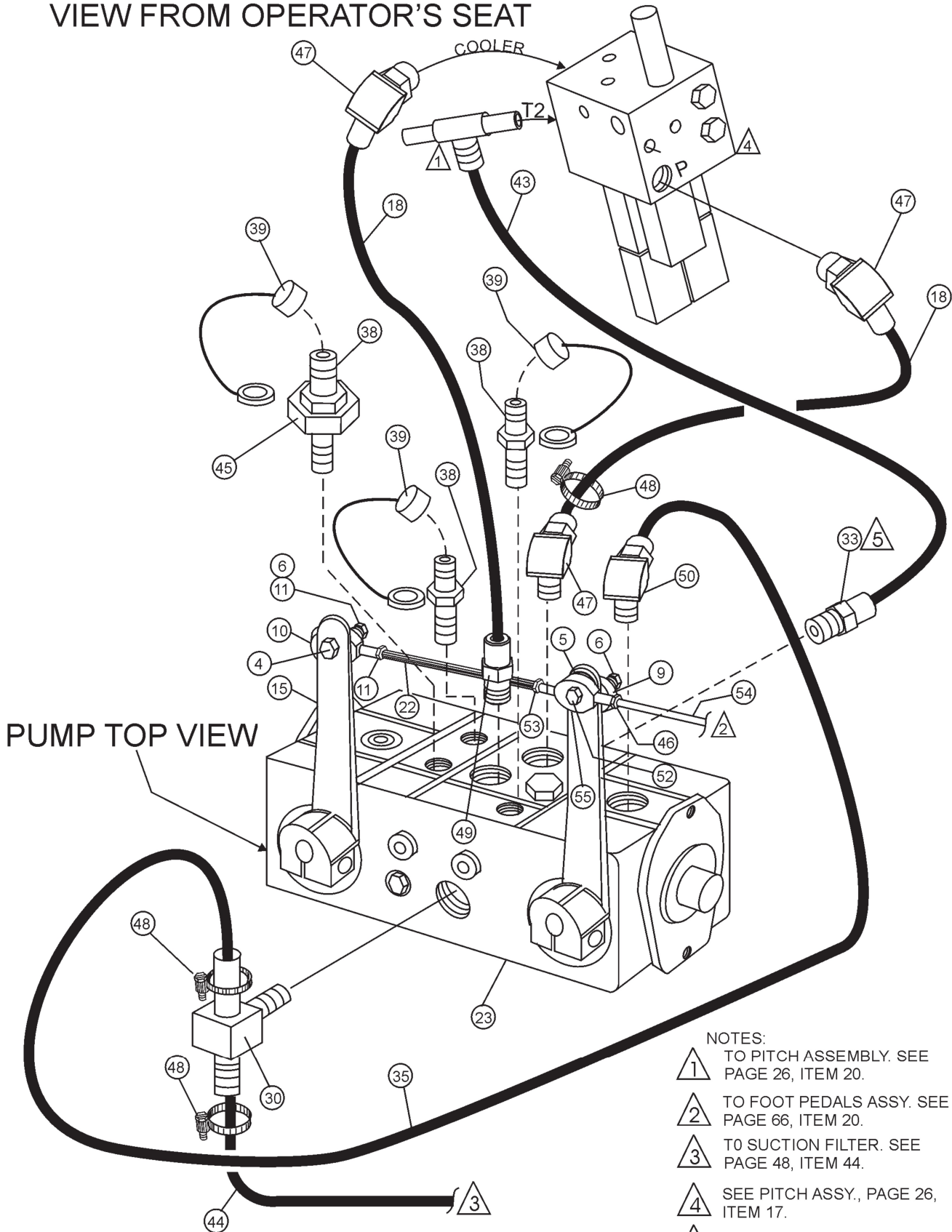
STH-55JD-TC — HANDLE ASSY.

HANDLE ASSY.

<u>NO</u>	<u>PART NO</u>	<u>PART NAME</u>	<u>QTY.</u>	<u>REMARKS</u>
1	12115	HANDLE ASSY,	1	INCLS. ITEMS W/*
2*	OEMAA5	UPPER SCREW	2	
3*	OEMAA7	LOWER SCREW	2	
4*	12473	10 AMP MOMENTARY SPST PB SWITCH	1	
5*	OEMAA8	LOWER NUT	2	
6	11676	ADAPTER COUPLING W/CABLE PASSAGE	1	
7*	OEMAA6	UPPER NUT	2	
8*	12487	BOOT, TOP HANDLE	1	
9*	OEM2783AM	2-PIECE HANDLE W/HARDWARE	1	
10*	OEMAA9	ROCKER ASSEMBLY COMPLETE	1	
11*	12474	MICROSWITCH (SOLDER TABS)	2	

STH-55JD-TC — HYDRAULIC PUMP (TOP) DRIVE ASSY.

VIEW FROM OPERATOR'S SEAT



NOTES:

- ① TO PITCH ASSEMBLY. SEE PAGE 26, ITEM 20.
- ② TO FOOT PEDALS ASSY. SEE PAGE 66, ITEM 20.
- ③ TO SUCTION FILTER. SEE PAGE 48, ITEM 44.
- ④ SEE PITCH ASSY., PAGE 26, ITEM 17.
- ⑤ SEE NOTE ON PAGE 45.

STH-55JD-TC — HYDRAULIC PUMP (TOP) DRIVE ASSY.

HYDRAULIC PUMP (TOP) DRIVE ASSY.

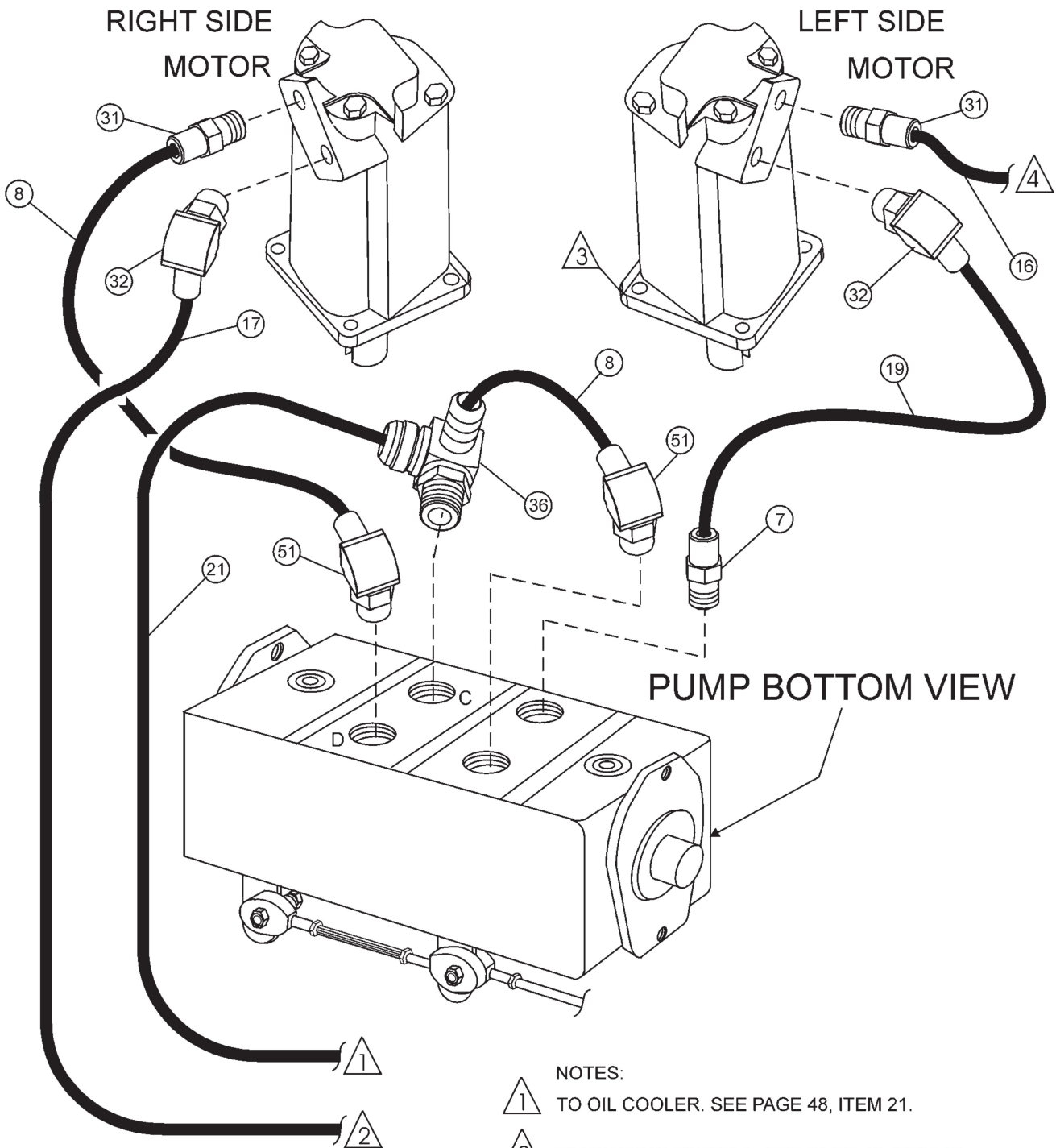
<u>NO</u>	<u>PART NO</u>	<u>PART NAME</u>	<u>QTY.</u>	<u>REMARKS</u>
4	0730	SCREW, HHC 1/4-20 X 1	1	
5	0948	WASHER, FLAT, 1/4 SAE	1	
6	10024	NUT, NYLOC 1/4-20	2	
7	11386	FITTING, STR 12MJ-12MO	3	
9	11611	ROD END, 1/4-28 FEMALE RH	2	
10	11612	ROD END, 1/4-28 FEMALE LH	1	
11	11613	NUT, FULL HEX 1/4-28 LH	1	
15	11919	LEVER, PUMP STH	2	
18	12078	HOSE ASM, 1/2ID 14LNG STR ENDS	2	
22	12091	ROD, PUMP ACTUATOR	1	
23	12094	PUMP ASM, SUNDS 4355086	1	
30	12129	FIT, TEE 12BARB-12BARB-16MO	1	
33	12139	VALVE, RELIEF DT370-MOMF-125	1	SEE NOTE BELOW
35	12144	HOSE, SUCTION 3/4 100R4 9 LNG	1	
38	12147	FIT, QC DIAGN PARKER PD361	3	
39	12148	CAP, DUST DIAG PARKER PD6-285	3	
43	12213	HOSE ASM 3/8X18 90 ONE END	1	
44	12327	HOSE SUCTION 3/4 100R4 11.5 LG	1	
45	12331	FITTING, STR 10MO-6FO	1	
46	19378	NUT, HEX JAM 1/4-28	1	
47	3322	FITTING, 90 10MJ-10MO	3	
48	3333	CLAMP, 1.1/4 HOSE	3	
49	3365	FITTING, STR 10MJ-10MO	2	
50	3461	FITTING, 90 12BARB-12MO	1	
52	5277	SCREW, HHC 1/4-20 X 1 1/2	1	
53	6904	NUT, HEX FINISH 1/4-28	1	
54	11491	CABLE, THROTTLE ASSY.	1	
55	11611	ROD END 1/4-28 FEMALE RH	1	

NOTE:

This check valve looks like an ordinary fitting. **Do Not** use an ordinary fitting in place of this check valve. This is a **spring loaded check valve**. If this spring loaded check valve is not installed on the STH Ride-On Power Trowel it will cause the trowel to not steer properly and may cause **extreme** pump damage.

STH-55JD-TC — HYDRAULIC PUMP (BOTTOM) DRIVE ASSY.

VIEW FROM OPERATOR'S SEAT



NOTES:

- ① TO OIL COOLER. SEE PAGE 48, ITEM 21.
- ② TO HOUSING FILTER A. SEE PAGE 48, ITEM 17.
- ③ REFERENCE PIVOT ASSEMBLY PAGE 24, ITEM 14.
- ④ TO HOUSING FILTER B. SEE PAGE 48, ITEM 16.

STH-55JD-TC — HYDRAULIC PUMP (BOTTOM) DRIVE ASSY.

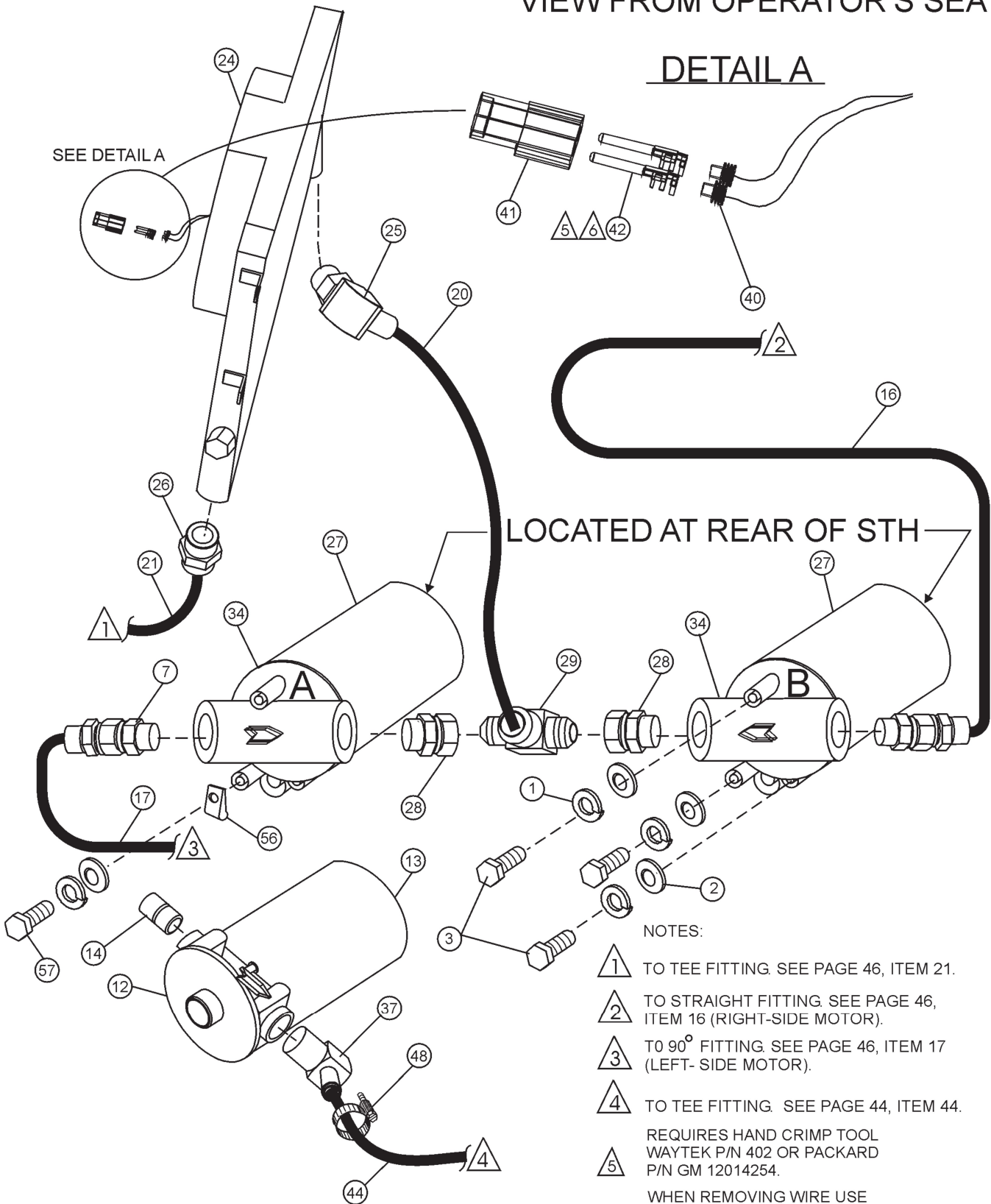
HYDRAULIC PUMP (BOTTOM) DRIVE ASSY.

<u>NO</u>	<u>PART NO</u>	<u>PART NAME</u>	<u>QTY.</u>	<u>REMARKS</u>
7	11386	FITTING, STR 12MJ-12MO	1	
8	11588	HOSE ASM, 3/4 ID X 27LG 90 END	2	
16	12076	HOSE ASM, 3/4IDX37LNG 90 END	1	
17	12077	HOSE ASM, 3/4IDX35 STR ENDS	1	
19	12080	HOSE ASM, 3/4ID 64.5LNG 90 END	1	
21	12082	HOSE ASM, 1 ID 18.25LN 100R1	1	
31	12130	FITTING, STR 12MJ-16MO	2	
32	12131	FITTING, 90 12MJ-16MO	2	
36	12145	FIT, TEE 12MO-12MJ-16MJ RUN	1	
51	3911385	FITTING, 90 12MJ-12MO	2	

STH-55JD-TC — HYDRAULIC PUMP (REAR) DRIVE ASSY

VIEW FROM OPERATOR'S SEAT

DETAIL A



NOTES:

1 TO TEE FITTING. SEE PAGE 46, ITEM 21.

2 TO STRAIGHT FITTING. SEE PAGE 46, ITEM 16 (RIGHT-SIDE MOTOR).

3 TO 90° FITTING. SEE PAGE 46, ITEM 17 (LEFT-SIDE MOTOR).

4 TO TEE FITTING. SEE PAGE 44, ITEM 44.

REQUIRES HAND CRIMP TOOL
WAYTEK P/N 402 OR PACKARD
P/N GM 12014254.

5

WHEN REMOVING WIRE USE
TERMINAL EXTRACTION TOOL
WAYTEK P/N 421.

6

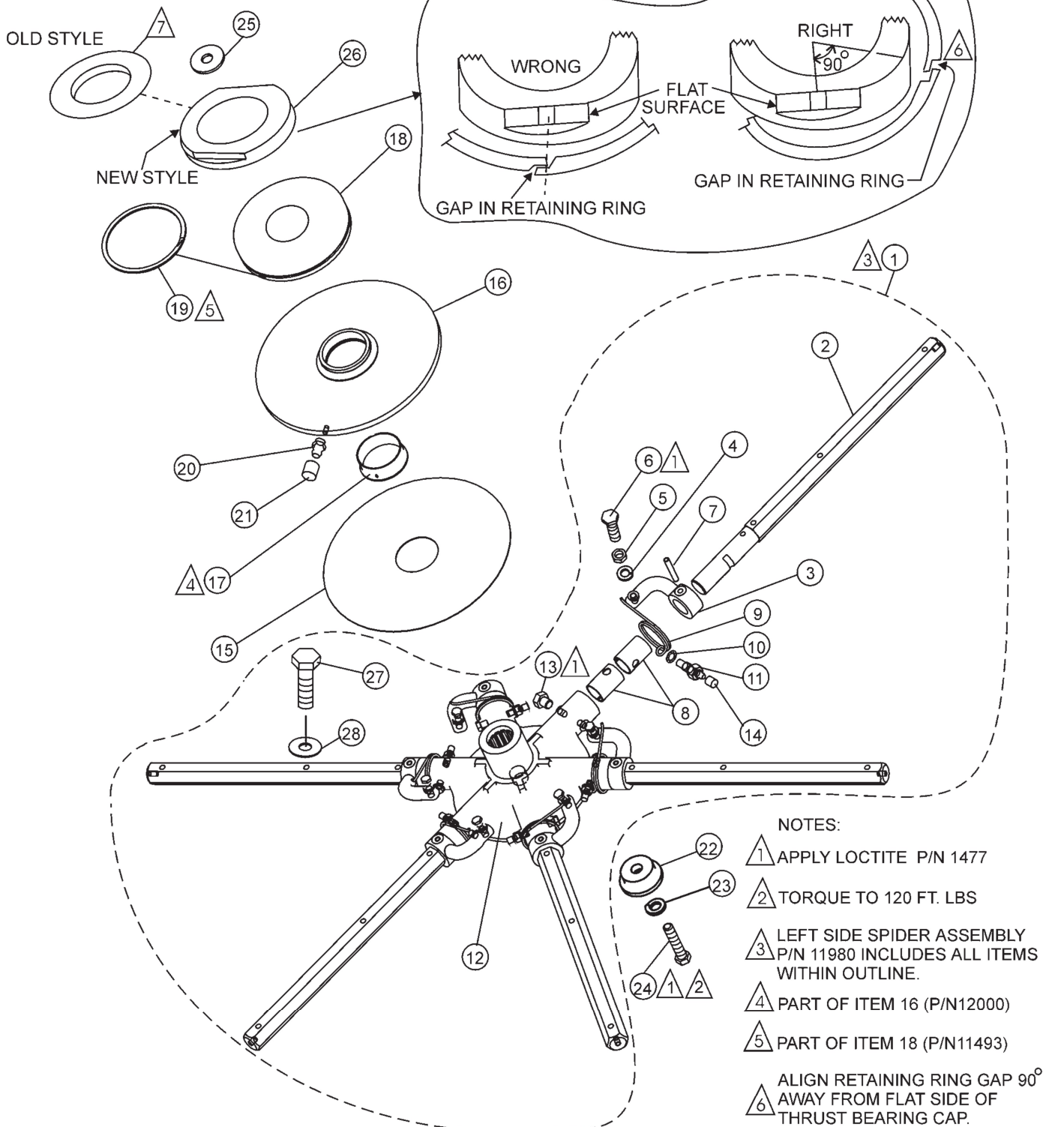
STH-55JD-TC — HYDRAULIC PUMP (REAR) DRIVE ASSY

HYDRAULIC PUMP (REAR) DRIVE ASSY

<u>NO</u>	<u>PART NO</u>	<u>PART NAME</u>	<u>QTY.</u>	<u>REMARKS</u>
1	0161	WASHER, LOCK, 5/16 MED	6	
2	0300	WASHER, FLAT, 5/16 SAE	6	
3	0655	SCREW, HHC 5/16-18 X 3/4	6	
7	11386	FITTING, STR 12MJ-12MO	1	
12	11883	HOUSING, SUC. FLTR ZINGA SF-100	1	
13	11884	ELEMENT, SUC FLTR ZINGA SE-10	1	
14	11893	FITTING, NIPPLE 1MP CLOSE	1	
16	12076	HOSE ASM, 3/4IDX37LNG 90 END	1	
17	12077	HOSE ASM, 3/4IDX35 STR ENDS	1	
20	12081	HOSE ASM, 1ID 25LN 100R1 90 END	1	
24	12121	COOLER, OIL MFR-15-94798	1	
25	12124	FITTING, 90 16MJ-16MO	1	
27	12126	ELEMENT, FILTER ZINGA HE-10 (RETURN)	2	
28	12127	FITTING, STR 12MO-12FJ SWIV	2	
29	12128	FITTING, TEE 12MJ-12MJ-16MJ	1	
34	12143	HOUSING, FILTER HF-11-25-0	2	
37	12146	FITTING, 90 12BARB-16MP	1	
40	12171	SEAL, WEATHERPACK 16-18 GA	2	
41	12176	CONNECTOR WEATHERPAC 2 PIN	1	
42	12179	TERMINAL W'PACK MALE 14-16GA	2	
44	12327	HOSE SUCTION 3/4 100R4 11.5 LG	1	
48	3333	CLAMP, 1.1/4 HOSE	1	
56	8128	CLAMP, HOSE SUPPORT, 5/16	1	
57	0202	HEX HEAD, SCREW 5/16-18 X 3/4 LG	1	

STH-55JD-TC — 6-BLADE SPIDER (LEFT) ASSY

LEFT SIDE SPIDER ASSEMBLY (6-BLADE)
VIEW FROM OPERATOR'S SEAT.



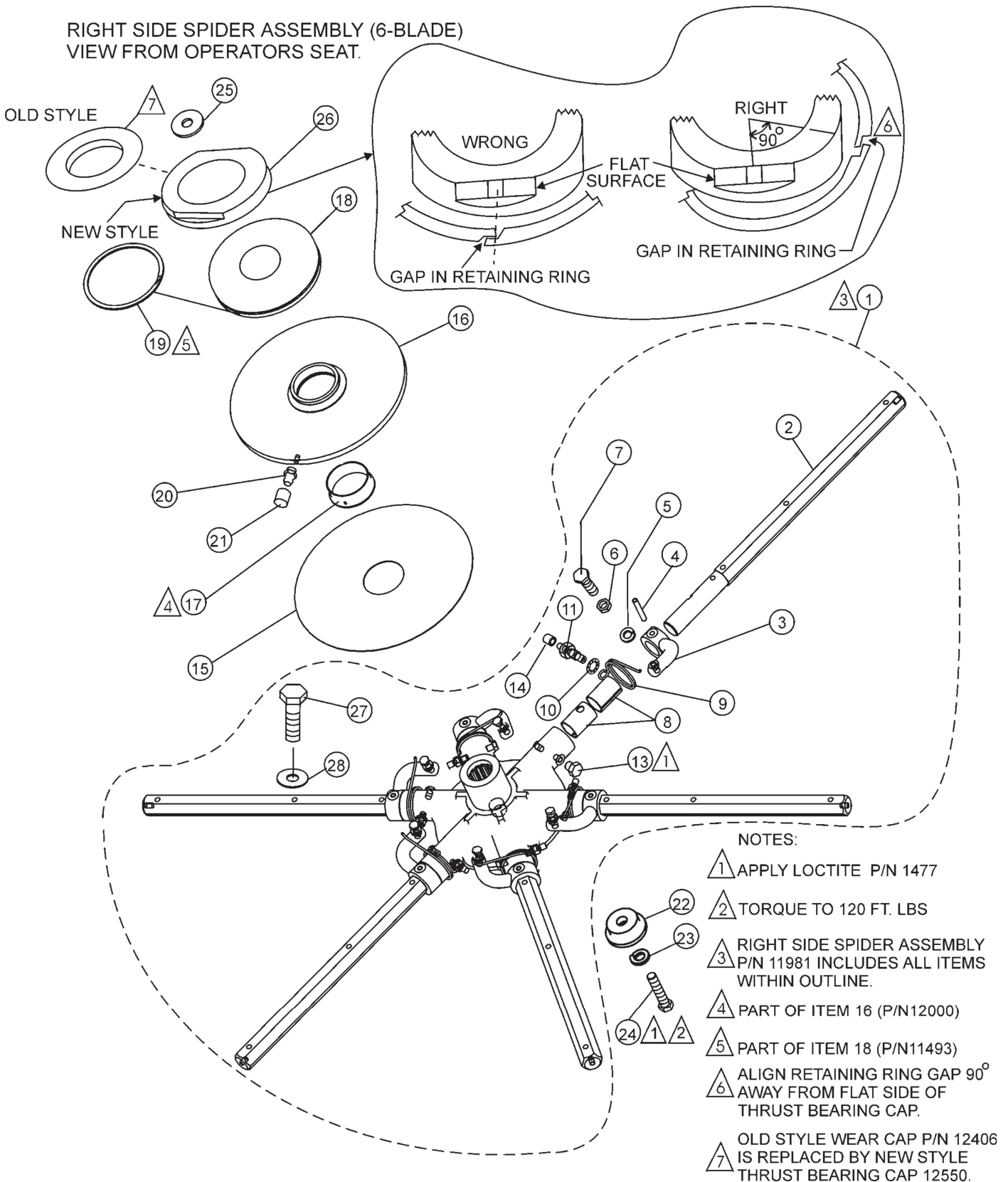
STH-55JD-TC — 6-BLADE SPIDER (LEFT) ASSY

6-BLADE SPIDER (LEFT) ASSY

<u>NO</u>	<u>PART NO</u>	<u>PART NAME</u>	<u>QTY.</u>	<u>REMARKS</u>
1	11980	SPIDER ASM, LEFT SIDE	1 INCLS. ITEM W/*
2*	11991	ARM, TROWEL EXTENDED	6	
3*	9005	LEVER, TROWEL ARM LEFT SIDE	6	
4*	0166 A	WASHER, LOCK, 3/8 MED.	6	
5*	1876	NUT, HEX JAM 3/8 – 16 CLASS 2B	6	
6*	0164 B	SCREW, HHC	6	
7*	9006	PIN, ROLL 5/16 X 2	6	
8*	11039	BUSING, ARM 1 PIECE	12	
9*	9111	SPRING, LEFT TROWEL	6	
10*	1875	WASHER, INT. SHKP. 3/8	6	
11*	1322	SCREW ASM., ARM RETAINING	6	
12*	11992	PLATE, SPIDER 6 BLADE	1	
13*	11602	SCREW, HHC 3/8-16 X 3/8	6	
14*	1162 A	CAP, GREASE ZERK / 2	6	
15	12250	PLATE, WEAR	1	
16	12000	THRUST COLLAR	1 INCLS. ITEM W/+
17+	11464	BUSING, THRUST COLLAR	1	
18	11493	BEARING, THRUST W/SPRIAL RET.	1 INCLS. ITEM W/# (INSTALL W/RET. RING BELOW CENTER)
19#	12181	RING, RETAINING	1	
20	2621	FITTING, GREASE	1	
21	1162 A	CAP, GREASE ZERK / 2	1	
22	11940	RETAINER, SPIDER STH	1	
23	12220	WASHER, LOCK, 1/2 HIGH STRENGTH	1	
24	12371	SCREW, HHC 1/2 -20 X GR. 8	1	
25	12394	SPACER 12MM X 40MM X 0.12	1	
26	12550	CAP, THRUST BEARING	1 <u>NEW STYLE</u> REPLACES 12406
27*	105	HHCS 5/16 – 18 X 1 1/2"	18	
28*	0161C	LOCK WASHER 5/16"	18	

STH-55JD-TC — 6-BLADE SPIDER (RIGHT) ASSY

RIGHT SIDE SPIDER ASSEMBLY (6-BLADE)
VIEW FROM OPERATORS SEAT.

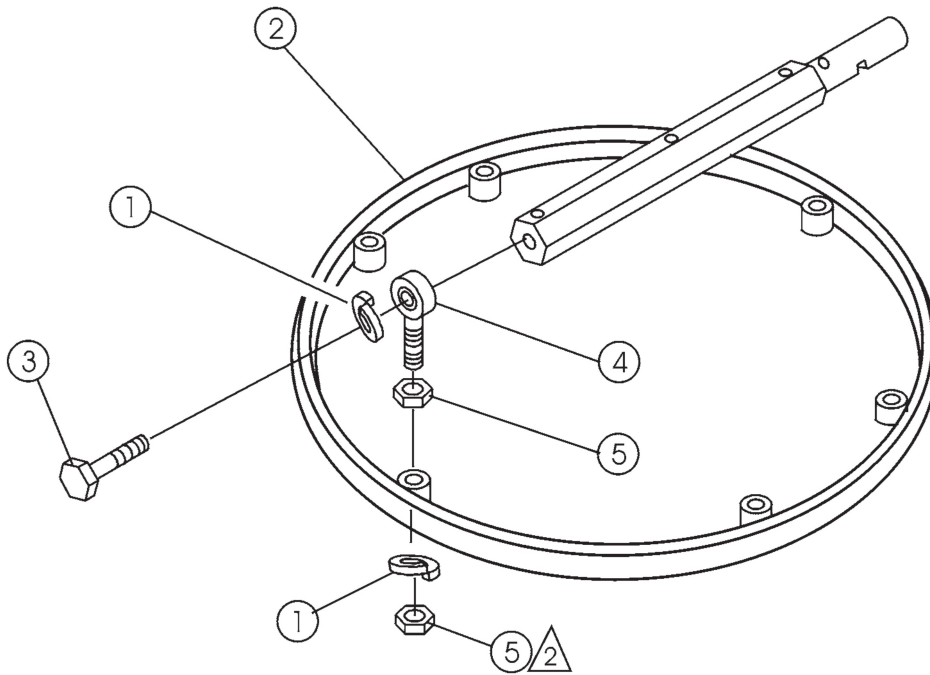


STH-55JD-TC — 6-BLADE SPIDER (RIGHT) ASSY

6-BLADE SPIDER (RIGHT) ASSY

<u>NO</u>	<u>PART NO</u>	<u>PART NAME</u>	<u>QTY.</u>	<u>REMARKS</u>
1	11981	SPIDER ASM, RIGHT SIDE	1 INCLS ITEM W/*
2*	11991	ARM, TROWEL EXTENDED	6	
3*	1986	LEVER, TROWEL ARM RIGHT SIDE	6	
4*	9006	PIN, ROLL 5/16 X 2	6	
5*	0166 A	WASHER, LOCK, 3/8 MED.	6	
6*	1876	NUT, HEX JAM 3/8 – 16 CLASS 2B	6	
7*	0164 B	SCREW, HHC	6	
8*	11039	BUSING, ARM 1 PIECE	12	
9*	2143	SPRING, RIGHT TROWEL	6	
10*	1875	WASHER, INT. SHKP. 3/8	6	
11*	1322	SCREW ASM., ARM RETAINING	6	
12*	11992	PLATE, SPIDER 6 BLADE	1	
13*	11602	SCREW, HHC 3/8-16 X 3/8	6	
14*	1162 A	CAP, GREASE ZERK / 2	6	
15	12250	PLATE, WEAR	1	
16	12000	THRUST COLLAR	1 INCLS ITEM W/+
17+	11464	BUSING, THRUST COLLAR	1	
18	11493	BEARING, THRUST 60172 RSNR	1 INCLS ITEM W/# (INSTALL W/RET. RING BELOW CENTER)
19#	12181	RING, RETAINING	1	
20	2621	FITTING, GREASE	1	
21	1162 A	CAP, GREASE ZERK / 2	1	
22	11940	RETAINER, SPIDER STH	1	
23	12220	WASHER, LOCK, 1/2 HIGH STRENGTH	1	
24	12371	SCREW, HHC 1/2 -20 X GR. 8	1	
25	12394	SPACER 12MM X 40MM X 0.12	1	
26	12550	CAP, THRUST BEARING	1	<u>NEW STYLE</u> REPLACES 12406
27*	105	HHCS 5/16 – 18 X 1 1/2"	18	
28*	0161C	LOCK WASHER 5/16"	18	

STH-55JD-TC — STABILIZER RING ASSY



NOTES:

 APPLY LOCTITE P/N 1477

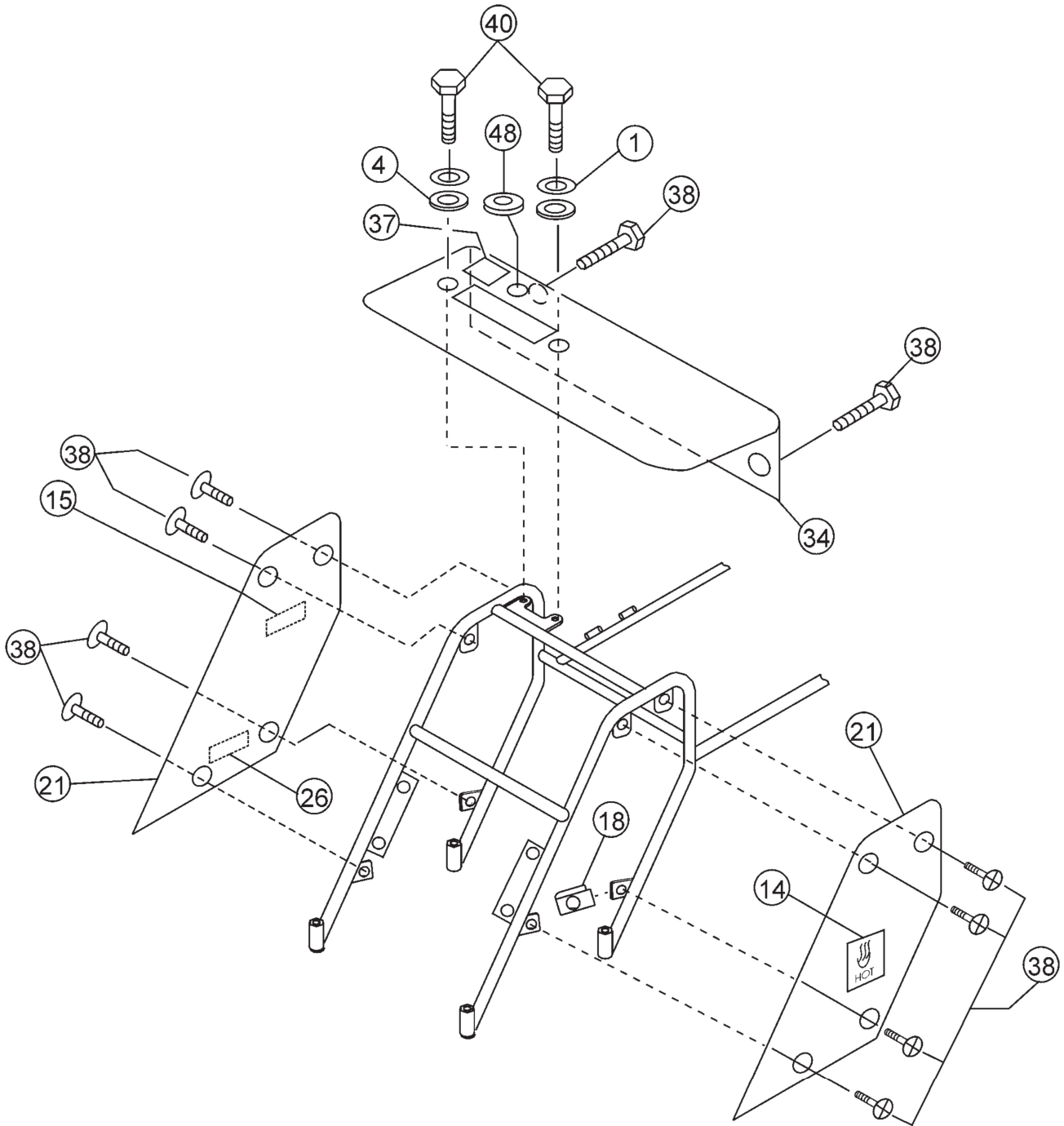
STH-55JD-TC — STABILIZER RING ASSY

STABILIZER RING ASSY

<u>NO</u>	<u>PART NO</u>	<u>PART NAME</u>	<u>QTY.</u>	<u>REMARKS</u>
1	0161C	WASHER, LOCK, 5/16 MED	6	
2	12185	RING, STABILIZER, EXT ARM, HD	1	
3	1237	SCREW, SCH 5/16-18 X 7/8	6	
4	1723	ROD END, 5/16-24 MALE	6	
5	6014C	NUT, HEX FINISH 5/16-24	12	

STH-55JD-TC — TOP PANEL (LEFT)

TOP PANEL (LEFT)
VIEW FROM OPERATOR'S SEAT



STH-55JD-TC — TOP PANEL (LEFT) /DECALS

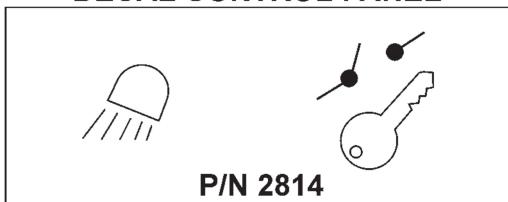
TOP PANEL (LEFT)

NO	PART NO	PART NAME	QTY.	REMARKS
1	0161 C	WASHER, LOCK, 5/16 MED	2	
4	0300B	WASHER, FLAT, 5/16 SAE	2	
14	11246	DECAL SET, INTERNATIONAL STDS	1	SEE NOTE
15	11247	DECAL (HELMET, FOOT, HAND)	1	SEE NOTE
18	11534	NUT, "U" TYPE, 1/4-20	8	
21	11663	PANEL, REAR LEFT	1	
26	11811	DECAL, DIESEL FUEL	1	SEE NOTE
34	1228	PANEL TOP, LEFT	1	
37	12249	DECAL LEFT PITCH ONLY	1	SEE NOTE
38	12287	SCREW, THP 1/4 X 20 X 3/4 SS	10	
40	12289	SCREW, BHSC 5/16 X 24 X 1 SS	2	
48	2923	GROMMET, 7/16 ID, 1/16 X 9/16 GRV	1	

NOTE:

Decals used on the STH are shown below and on page 9. These decals can be ordered as a complete decal kit by using P/N 12620. To order individual decals (no decal kit) use specified decal part number.

DECAL CONTROL PANEL



DECAL PATENT PENDING



DECAL POWDER COATED



DECAL FRONT PANEL HYD-S DRIVE



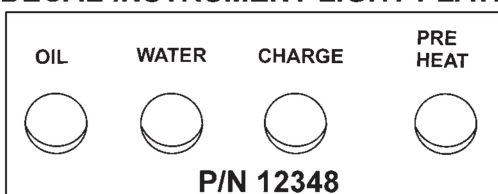
DECAL MQ WHITEMAN, 23-1/2"



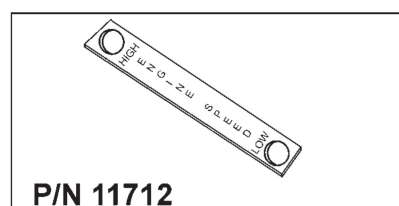
DECAL DIESEL FUEL



DECAL INSTRUMENT LIGHT PLATE

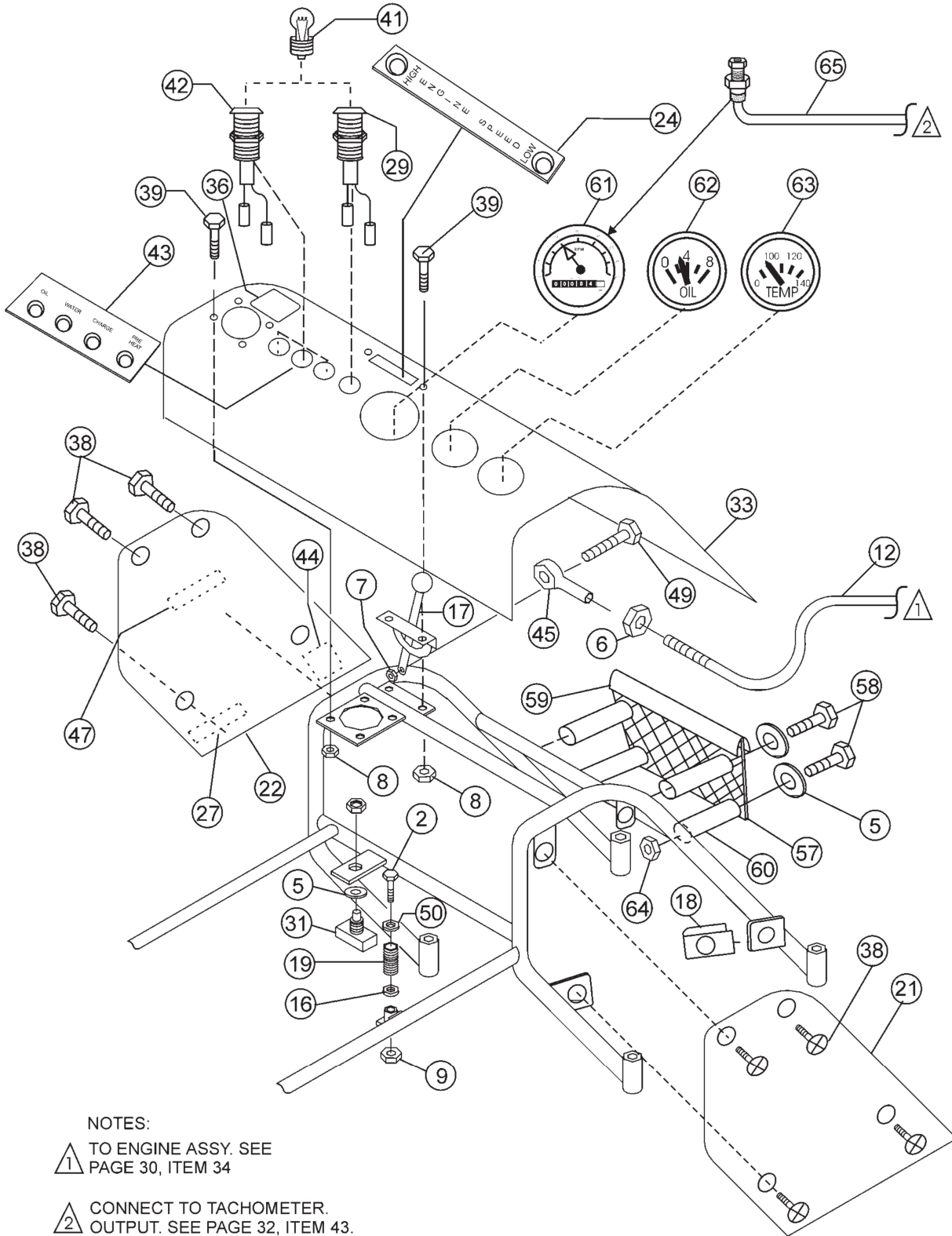


DECAL ENGINE SPEED PLATE



STH-55JD-TC — TOP PANEL (RIGHT)

TOP PANEL (RIGHT)
VIEW FROM OPERATOR'S SEAT



NOTES:

1 TO ENGINE ASSY. SEE
PAGE 30, ITEM 34

2 CONNECT TO TACHOMETER.
OUTPUT. SEE PAGE 32, ITEM 43.

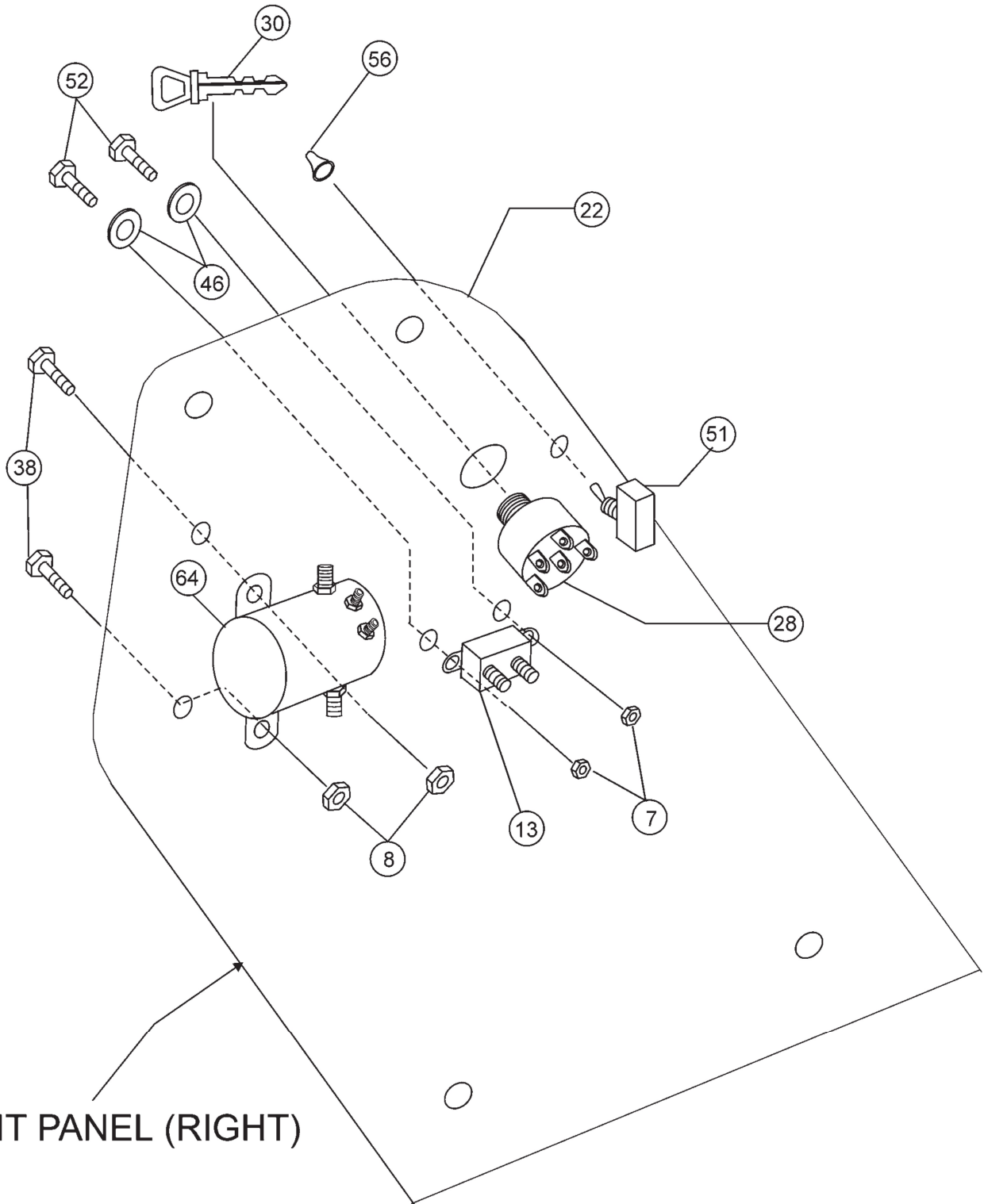
STH-55JD-TC — TOP PANEL (RIGHT)

TOP PANEL (RIGHT)

<u>NO</u>	<u>PART NO</u>	<u>PART NAME</u>	<u>QTY.</u>	<u>REMARKS</u>
2	0169	SCREW, HHC 3/8-16 X 3	1	
5	0447	WASHER, FLAT, 1/2 SAE	1	
6	0937	NUT, HEX 10-32	2	
7	10019	NUT, NYLOC 10-32	1	
8	10024	NUT, NYLOC 1/4-20	2	
9	10133	NUT, NYLOC 3/8-16	1	
12	10568	CABLE THROTTLE	1	
16	11265	WASHER, STEERING HANDLE	2	
17	11379	HANDLE THROTTLE CONTROL	1	
18	11534	NUT, "U" TYPE, 1/4-20	8	
19	11593	SPRING, SEAT (CENTURY #10321)	1	
21	11663	PANEL, REAR RIGHT	1	
22	11673	PANEL, FRONT RIGHT	1	
24	11712	DECAL, ENGINE SPEED PLATE	1	
27	11912	DECAL, "PATENT PENDING"	1	
29	JDRG60051	PLUG, PREHEAT LIGHT (BLUE)	1	
31	12005	SWITCH, KILL COLE — HER #90036-02	1	
33	12227	PANEL TOP, RIGHT	1	
36	12248	DECAL, TWIN PITCH	1	
38	12287	SCREW, THP 1/4 X 20 X 3/4 SS	8	
39	12288	SCREW, THP 1/4 X 20 X 1 SS	6	
41	GE#57	BULB, +12V DC	4	
42	JDRG60049	PLUG, OIL, WATER, CHARGE (RED)	3	
43	12348	DECAL INSTRUMENT LIGHT PLATE	1	
44	12401	DECAL, HYD OIL CAUTION	1	
45	2153	ROD END, 10-32 FEMALE RH	1	
47	2814	DECAL, LIGHT KEY SWITCH	1	
49	3513	SCREW, HHC 10-32 X 1	1	
50	4001	WASHER, FLAT, 3/8 USS PLD	1	
57	12240	COVER, OIL COOLER	1	
58	3043	SCREW, HHC 1/2 -13 X 6	4	
59	60049	TRIM EDGE, 1/32 (62B3-1/32)	1	
60	12053	SPCR, OIL COOLER 1" O.D. X 4 3/4	4	
61	JDRG60514	TACH /W HOUR METER	1	
62	JDRG60509	OIL GUAGE	1	
63	JDRG60504	TEMPERATURE GUAGE	1	
64	10176	NUT, NYLOC 1/2-13	4	
65	TC007	CABLE, TACH FT.	1	

STH-55JD-TC — FRONT PANEL (RIGHT)

VIEW FROM OPERATOR'S SEAT



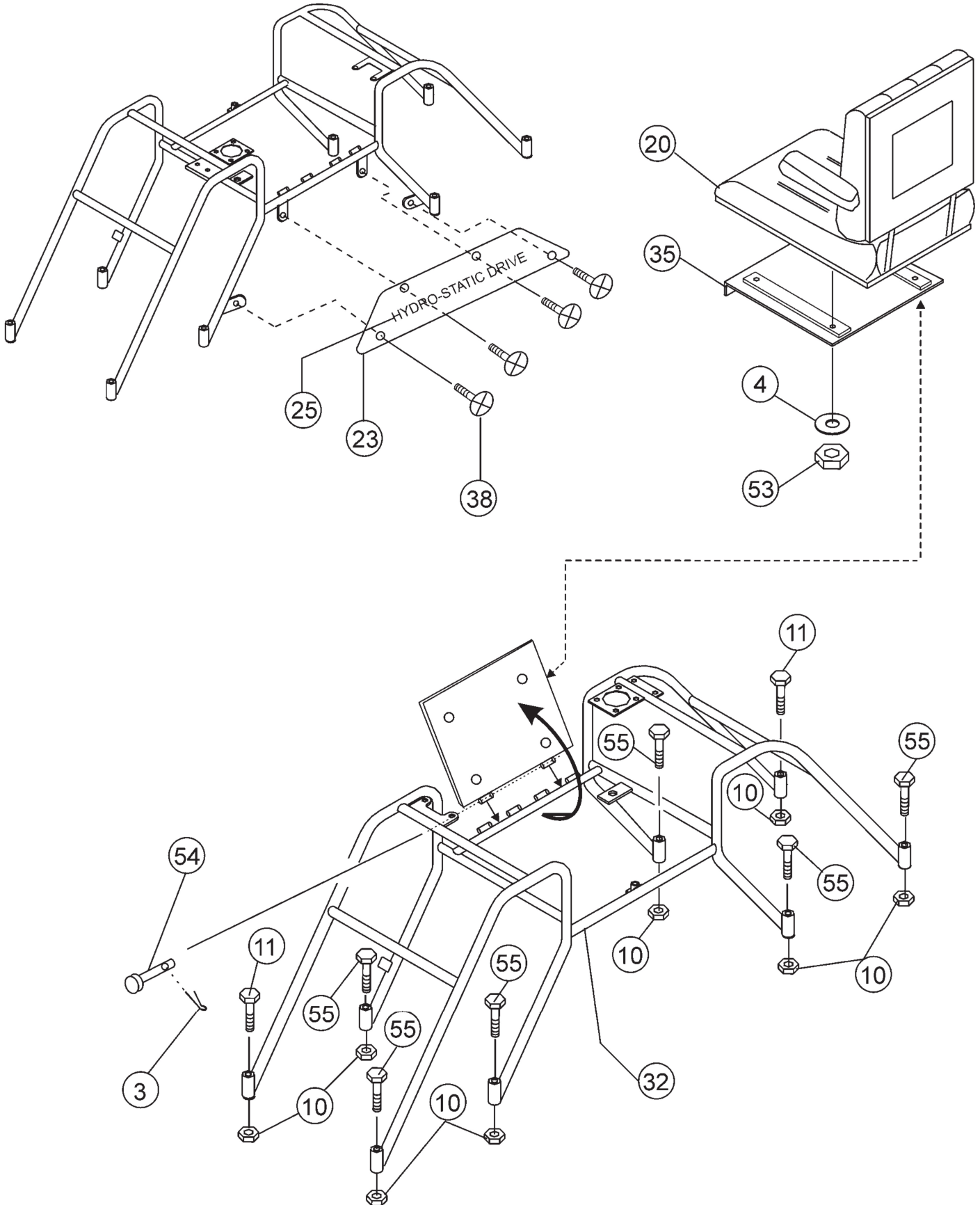
FRONT PANEL (RIGHT)

STH-55JD-TC — FRONT PANEL (RIGHT)

FRONT PANEL RIGHT

<u>NO</u>	<u>PART NO</u>	<u>PART NAME</u>	<u>QTY.</u>	<u>REMARKS</u>
7	10019	NUT, NYLOC 10-32	2	
8	10024	NUT, NYLOC 1/4-20	2	
13	11098	CIRCUIT BREAKER (40 AMP, 12V)	1	
22	11673	PANEL, FRONT RIGHT	1	
28	11924	IGNITION SWITCH WITH KEYS	1	INCLUDES ITEM W/*
30	12001*	KEYS, IGNITION SWITCH	1	
38	12287	SCREW, THP 1/4 X 20 X 3/4 SS	2	
46	2203	WASHER, FLAT #10	2	
51	4682	LIGHT SWITCH	1	
52	5065B	SCREW, RHM 10-32 X 1/2	2	
56	8381	BOOT, TOGGLE SWITCG	1	
64	11792	ACCESSORY SOLENOID	1	

STH-55JD-TC — SEAT AND FRAME

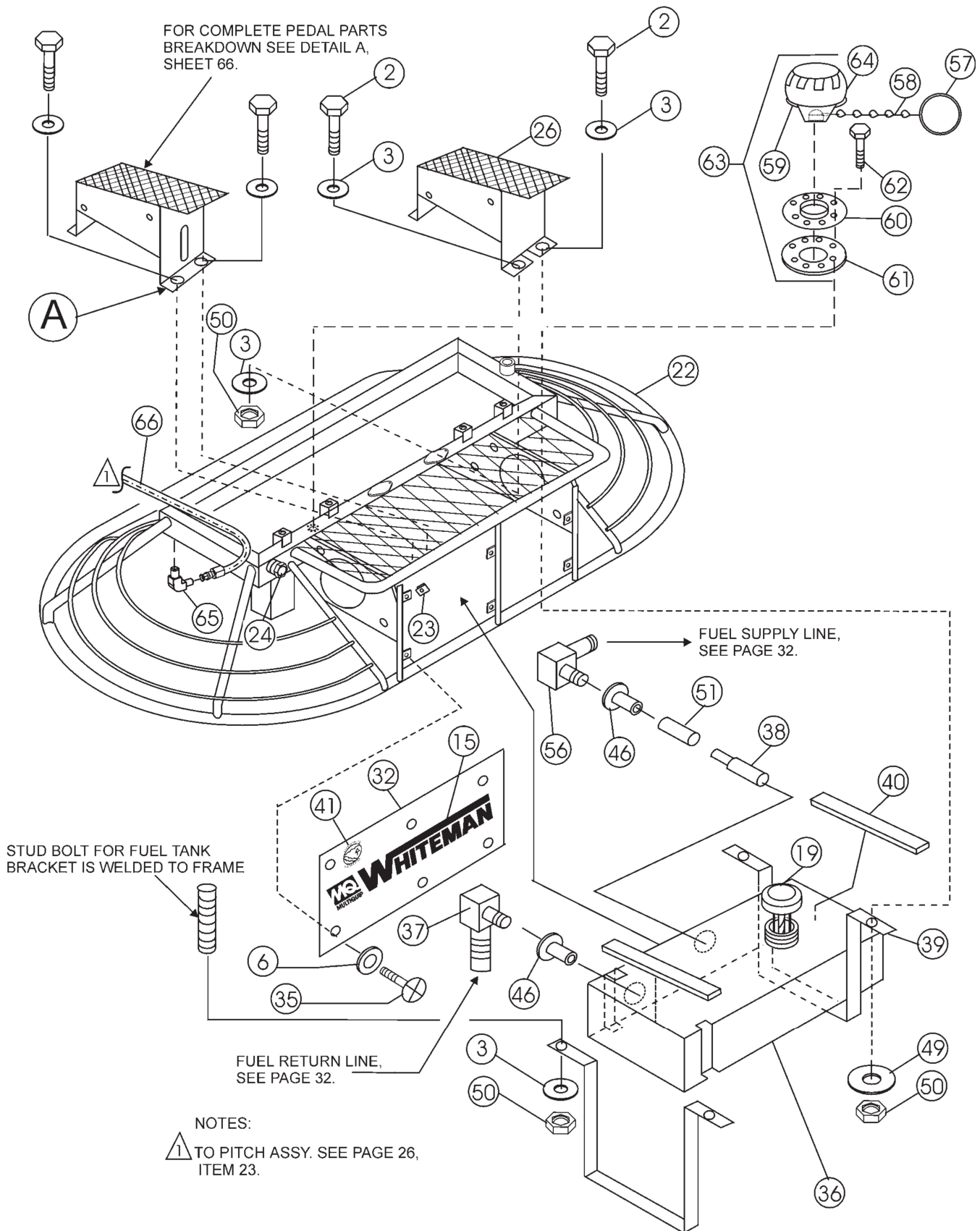


STH-55JD-TC — SEAT AND FRAME

SEAT AND FRAME

<u>NO</u>	<u>PART NO</u>	<u>PART NAME</u>	<u>QTY.</u>	<u>REMARKS</u>
3	0183	PIN, COTTER 1/8 X 1 1/4	1	
4	0300B	WASHER, FLAT, 5/16 SAE	4	
10	10176	NUT, NYLOC 1/2-13	8	
11	10306	SCREW, HHC 1/2 x 13 X 4 1/2	2	
20	11632	SEAT, MICHIGAN # V1025 W/ARMS	1	
23	11674	PANEL, FRONT CENTER	1	
25	11760	DECAL, FRONT PANEL "HYD-S DRV"	1	
32	12218	FRAME, SEAR W/A STH	1	
35	12230	PLATE, SEAT W/A	1	
38	12287	SCREW, THP 1/4 X 20 X 3/4 SS	4	
53	5283	NUT, NYLOC 5/16-18	4	
54	8081	PIN, CLEVIS 1/2 X 2 3/4	2	
55	8087	SCREW, HHC 1/2 X13 X 4	6	

STH-55JD-TC — FRAME AND FUEL TANK



STH-55JD-TC — FRAME AND FUEL TANK

FRAME AND FUEL TANK

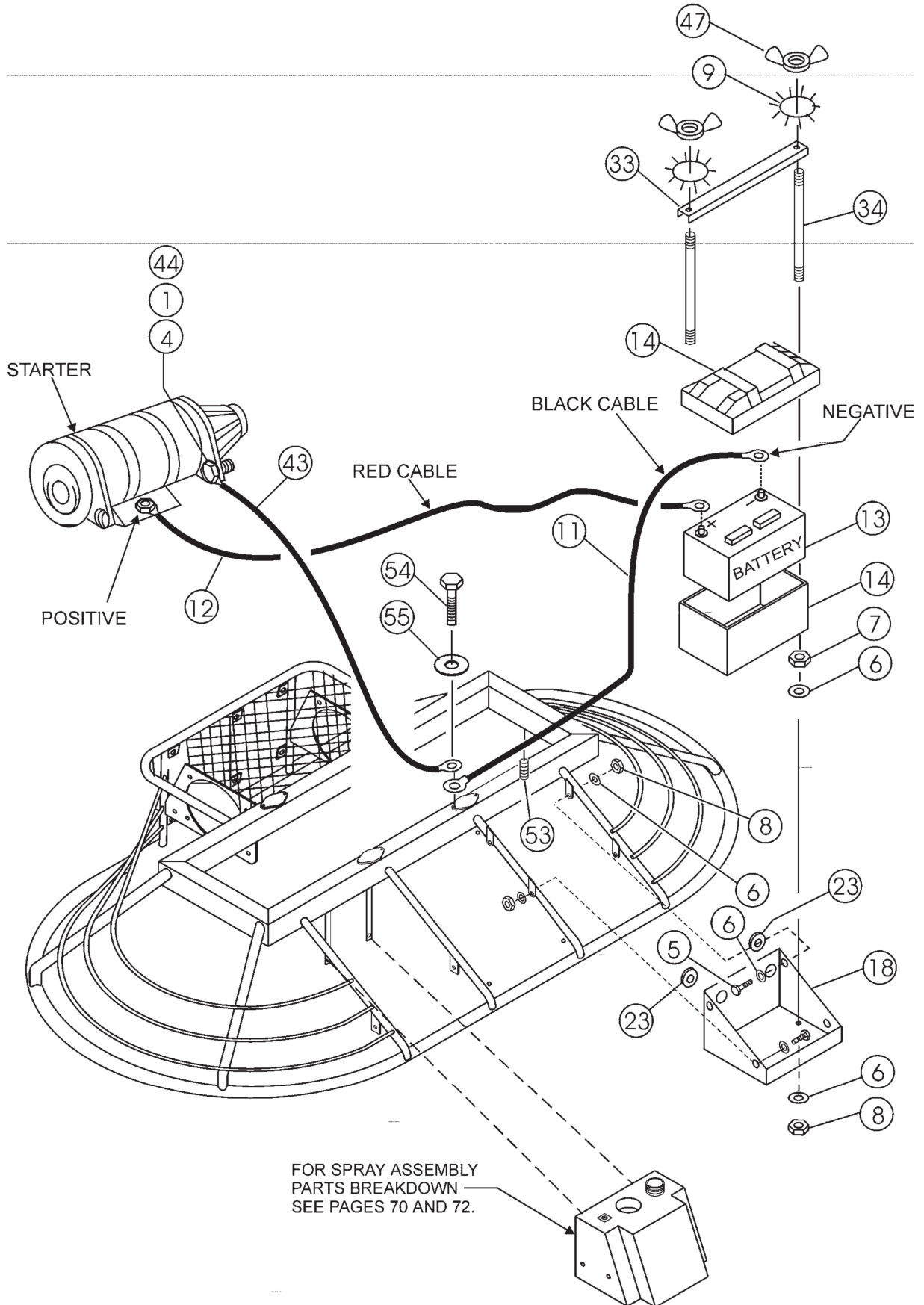
<u>NO</u>	<u>PART NO</u>	<u>PART NAME</u>	<u>QTY.</u>	<u>REMARK</u>
2	0202	SCREW, HHC 5/16 – 18 X 1	4	
3	0300 B	WASHER, FLAT, 5/16 SAE	10	
6	0948	WASHER, FLAT, 1/4 SAE	16	
15	10818	DECAL, MQ WHITEMAN, 23 – 1/2"	1	
19	11418	FUEL CAP/GAUGE (10.5")	1	
22	11937	FRAME, COMPLETE W/A STH	1	
23	11534	NUT, "U" TYPE, 1/4 – 20	10	
24	11584	SIGHT GLASS, 3/4" MALE PIPE	1	
26	11628	FOOT REST, LEFT W/A	1	
32	11678	PANEL, FRONT STH/STH	1	
35	11819	SCREW, HHC 1/4 – 20 X 3/4 W/WASH	6	
36	11922	TANK, 12 GALLON FUEL POLYETHEL	1	
37	12007	FITTING, 90 4 BARB – 4 BARB FUEL	1	
38	12010	SCREEN, FILTER DAPCO 10656	1	
39	12021	BRACKET, FUEL TANK SUPPORT	2	
40	12025	SPACER, FUEL TANK	2	
41	13118	DECAL, "POWDER COATED"	1	
46	19633	BUSHING, RUBBER FUEL	2	
48	12235	ADAPTER, THROTT LE RETURN SPRING SHORT	1	
49	3233	WASHER, FENDER, 1.5 OD X 3/8 ID	4	
50	5283	NUT, NYLOC 5/16 – 18	6	
55	0166 A	3/8" LOCK WASHER	3	
56	12023	FITTING, 90 05 BARB – 4 BARB FUEL	1	
57	ZINFB08	CHAIN RING	1	
58	ZINFB15	NO 16 SINGLE JACK CHAIN	1	
59	12488	O-RING	1	
60	ZINFB04	BASE	1	
61	12489	FLANGE GASKET	1	
62	ZINPS0014	#10-32 1/2 SCREW	1	
63	12332	CAP ASSY, HYD 5PSI 10 MICRON	1	
64	ZINFB03	COVER, CAP	1	
65	12247	FITTING, 90 6MJ-3/8 MP	1	
66	12246	TUBE, HYD MANIFOLD DRAIN	1	

STH-55JD-TC — FOOT PEDALS

FOOT PEDALS

<u>NO</u>	<u>PART NO</u>	<u>PART NAME</u>	<u>QTY.</u>	<u>REMARK</u>
5	0730	SCREW, HHC 1/4 – 20 X 1	7	
8	10024	NUT, NYLOC 1/4 – 20	9	
10	10136	WASHER, FLAT, 3/8 SAE	4	
16	11199	BASE, SPEED CONTROL PEDAL W/A	1	
17	11228	ACCELERATOR PEDAL W/A	1	
20	11491	CABLE, FOOT PEDAL ASSY.	1	
21	11492	U-BOLT, CABLE	1	
25	11611	ROD END, 1/4 – 28 FEMALE RH	3	
27	11638	ADAPTER, SPEED CONTROL SPRING	1	
28	11641	SPRING, FOOTPEDAL, CEN # 11617	1	
29	11643	ROD END, 1/4 – 28 MALE RH	1	
30	11656	ROCKER, SPEED CONTROL W/A	1	
31	11677	PIN, SPEED CONTROL LEVER	2	
42	1484	BUSHING, BRONZE	2	
45	19378	NUT, HEX JAM 1/4 – 28	3	
48	12235	ADAPTER, THROTTLE RET. SPRING SHORT	1	
52	6014 B	PIN, COTTER 3/32 X 1	4	
67	8126	CLAMP, CABLE	1	

STH-55JD-TC — BATTERY

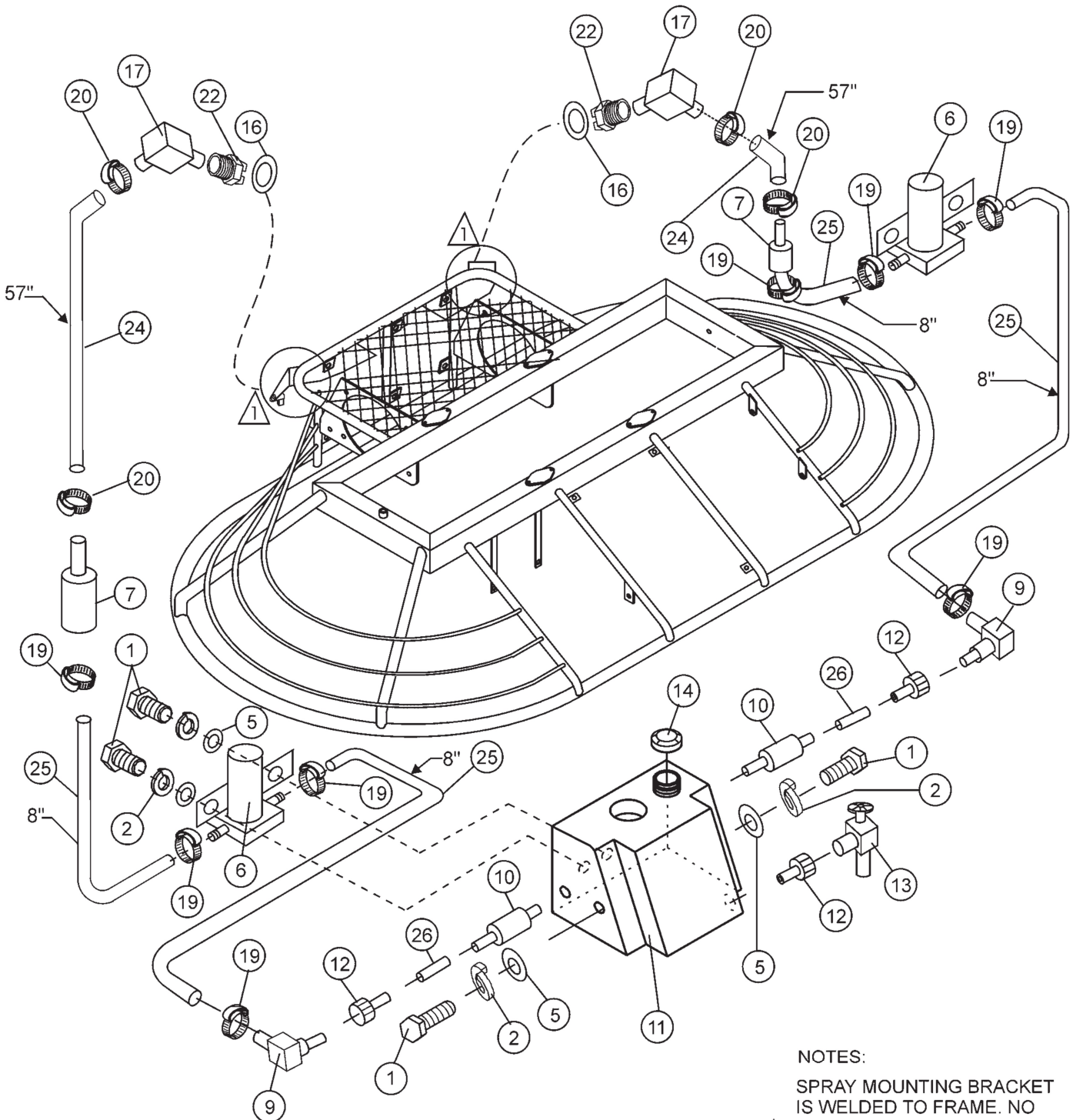


STH-55JD-TC — BATTERY

BATTERY

<u>NO</u>	<u>PART NO</u>	<u>PART NAME</u>	<u>QTY.</u>	<u>REMARK</u>
1	0161 C	WASHER, LOCK, 5/16 MED.	1	
4	0479	WASHER, EXT. SHKP, 3/8 PLTD	1	
5	0730	SCREW, HHC 1/4 – 20 X 1	4	
6	0948	WASHER, FLAT, 1/4 SAE	8	
7	0949	NUT, HEX FINISH 1/4 – 20	4	
8	10024	NUT, NYLOC 1/4 – 20	6	
9	10031	WASHER, EXT. SHKP, 1/4	2	
11	12278	CABLE, NEG BATTERY BLACK 32"	1	
12	10314	CABLE, POS BATTERY RED 31"	1	
13	10315	BATTERY, 12V WET GROUP 22 SRT	1	
14	10318	BATTERY BOX, GROUP 24	1	
23	13212	GROMMET, 1 1/4 I.D. (MINOR Z-714)	2	
33	11692	BRACKET, BATTERY BOX HOLD DOWN	1	
34	11693	BOLT, BATTERY BRKT	2	
43	1597	CABLE, ASM, BLK (NEG) 16.5"	1	
44	2866	SCREW, HHC M8 – 1.25 X 25 MM	1	
47	2509	NUT, WING 1/4 – 20 PLATED	2	
53	911329	FITTING, PLUG 3/8 MP MAGNET	1	
54	11691	HHCS 3/8 – 24 X 3/4	1	
55	0166A	LOCKWASHER, 3/8"	1	

STH-55JD-TC — SPRAY ASSY ABOVE S/N ID60204



NOTES:

SPRAY MOUNTING BRACKET IS WELDED TO FRAME. NO MOUNTING HARDWARE IS REQUIRED.



STH-55JD-TC — SPRAY ASSY ABOVE S/N ID60204

SPRAY ASSY ABOVE S/N ID60204

<u>NO</u>	<u>PART NO</u>	<u>PART NAME</u>	<u>QTY.</u>	<u>REMARKS</u>
1	0131 A	SCREW, HHC 1/4-20 X 3/4	5	
2	0181 B	WASHER, LOCK, 1/4 MED	5	
5	0948	WASHER, FLAT, 1/4 SAE	6	
6	12628	PUMP, SPRAY KIT	2	
7	10022	FITTING, PLASTIC 6 BARB — 4 BARB	1	
9	12008	FITTING, 90 6 BARB — 4 BARB FUEL	1	
10	12009	SCREEN, FILTER	1	
11	12036	TANK, RETARDANT 5 GALLON	1	
12	19633	BUSHING, RUBBER FUEL	2	
13	19661	VALVE, FUEL DRAIN	1	
14	2108	CAP, SPRAY TANK	1	
16	2898	WASHER, BONDED NEOPRENE 1 X 1/2	1	
17	2912	FITTING, 90 4 BARB — 1/4 FP	1	
19	2918	CLAMP, HOSE, 475 - 536 ID	4	
20	2930	CLAMP, HOSE, 360 - 410 ID	2	
22	392292	NOZZLE, SPRAY	1	
23	5283	NUT, NYLOC 5/16-18	2	
24	60001	HOSE, 25 ID X 375 OD	10 FT	
25	60002	HOSE, 375 ID X 5 OD	32"	
26	60058	HOSE, 1/4 X 3/8 PVC FUEL YELLOW	4"	

STH-55JD-TC — SPRAY ASSY BELOW S/N ID60205

SPRAY ASSY BELOW S/N ID60205

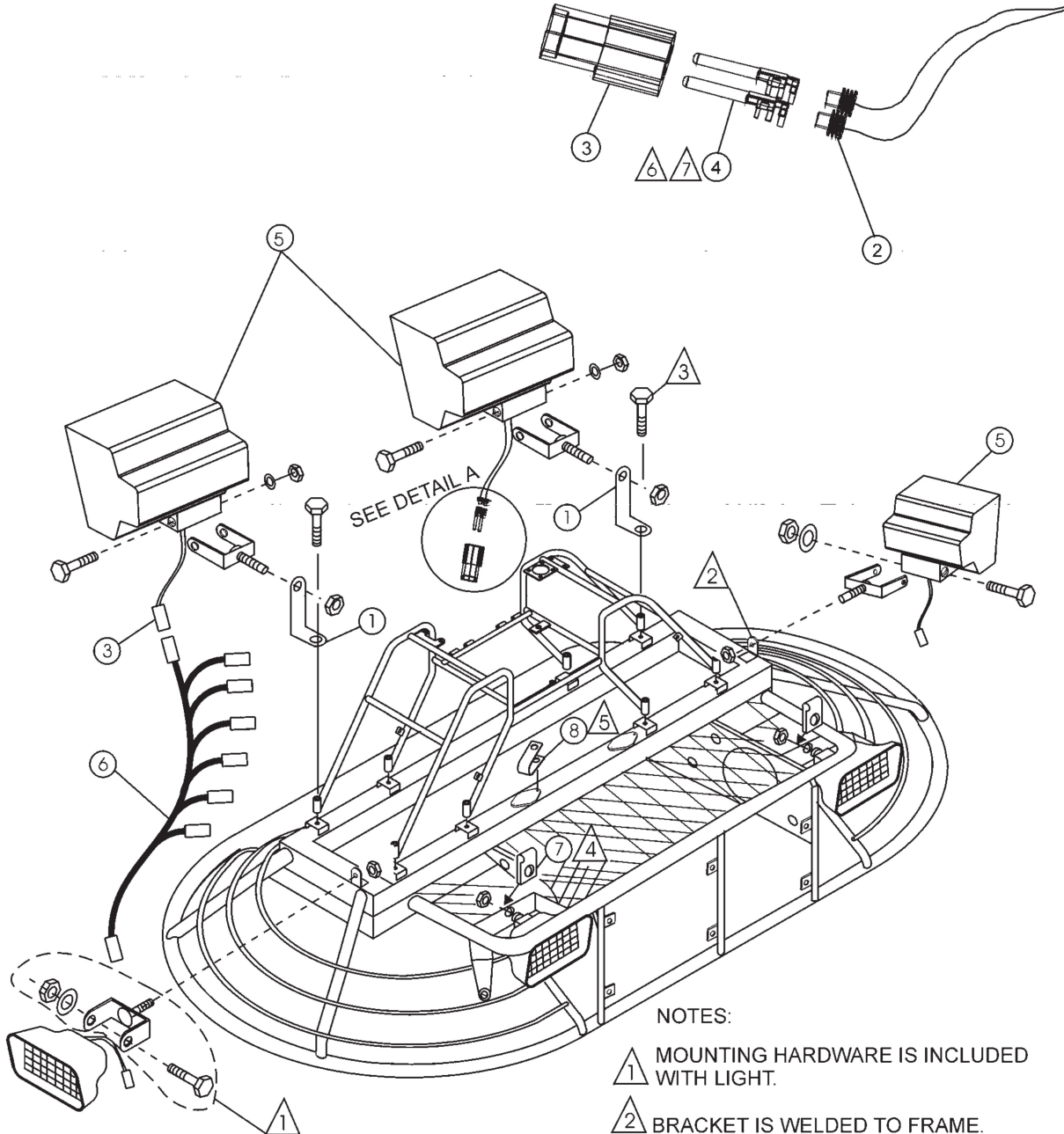
<u>NO</u>	<u>PART NO</u>	<u>PART NAME</u>	<u>QTY.</u>	<u>REMARKS</u>
1	0131 A	SCREW, HHC 1/4-20 X 3/4	5	
2	0181 B	WASHER, LOCK, 1/4 MED	5	
3	0202	SCREW, HHC 5/16-18 X 1	2	
4	0300 B	WASHER, FLAT, 5/16 SAE	4	
5	0948	WASHER, FLAT, 1/4 SAE	6	
6	10021	PUMP, SPRAY KIT (OLD STYLE)	1 INCLS ITEM W/* SEE NOTE
7	10022	FITTING, PLASTIC 6 BARB - 4 BARB	1	
8	11222	MOUNT, SPRAY NOZZLE, W/NEW STR	1	
9	12008	FITTING, 90 6 BARB - 4 BARB FUEL	1	
10	12009	SCREEN, FILTER	1	
11	12036	TANK, RETARDANT 5 GALLON	1	
12	19633	BUSHING, RUBBER FUEL	2	
13	19661	VALVE, FUEL DRAIN	1	
14	2108	CAP, SPRAY TANK	1	
15*	2816	COVER, SPRAY MOTOR	1 FOR S/N BELOW ID60205
16	2898	WASHER, BONDED NEOPRENE 1 X 1/2	1	
17	2912	FITTING, 90 4 BARB -1/4 FP	1	
18*	2915	WIRE ASSY, PUMP	1 FOR S/N BELOW ID60205
19	2918	CLAMP, HOSE, 475 - 536 ID	4	
20	2930	CLAMP, HOSE, 360 - 410 ID	2	
21	3233	WASHER, FENDER, 15 OD X 3/8 ID	2	
22	392292	NOZZLE, SPRAY	1	
23	5283	NUT, NYLOC 5/16-18	2	
24	60001	HOSE, 25 ID X 375 OD	10 FT.	
25	60002	HOSE, 375 ID X 5 OD	32"	
26	60058	HOSE, 1/4 X 3/8 PVC FUEL YELLOW	4"	

NOTE:

When ordering Spray Kit Pump Assembly use P/N 12548 (new style). This part number replaces P/N 10021 (old style).

STH-55JD-TC — LIGHT ASSY ABOVE S/N ID60204

DETAIL A



NOTES:

- ① MOUNTING HARDWARE IS INCLUDED WITH LIGHT.
- ② BRACKET IS WELDED TO FRAME.
- ③ SCREW IS PART OF SEAT FRAME ASSY., SEE PAGE 62, ITEM 11.
- ④ MOUNT CLAMP WITH LIGHT HARDWARE.
- ⑤ CLAMP IS FOR WIRE HARNESS.
- ⑥ REQUIRES HAND CRIMP TOOL WAYTEK P/N 402 OR PACKARD P/N GM 12014254.
- ⑦ WHEN REMOVING WIRE USE TERMINAL EXTRACTION TOOL WAYTEK P/N 421.

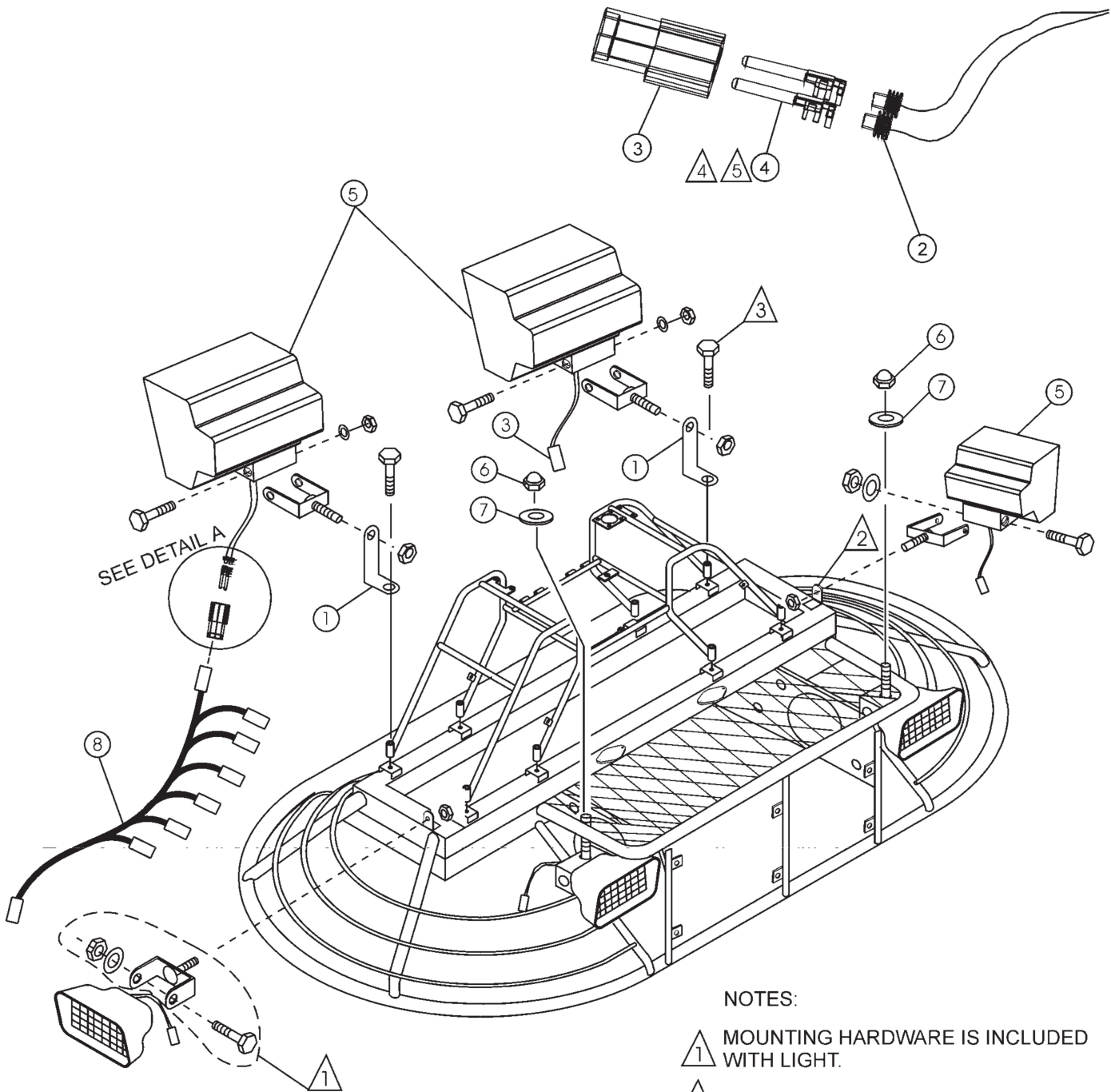
STH-55JD-TC — LIGHT ASSY ABOVE S/N ID60204

LIGHT ASSY ABOVE S/N ID60204

<u>NO</u>	<u>PART NO</u>	<u>PART NAME</u>	<u>QTY.</u>	<u>REMARKS</u>
1	10320	BRACKET, LIGHT	2	
2	12171	SEAL, WEATHERPACK 16-18 GA	12	
3	12176	CONNECTOR, WEATHERPACK 2-PIN	6	
4	12179	TERMINAL, MALE 14-16 GA	12	
5	2532	LIGHT, RECTANGULAR	6	
6	12418	WIRE ASSY., STH LIGHT	1	
7	8128	CLAMP, HOSE SUPPORT, 5/16	2	
8	8125	CLAMP, HOSE SUPPORT, 5/8	1	

STH-55JD-TC — LIGHT ASSY BELOW S/N ID60205

DETAIL A



NOTES:

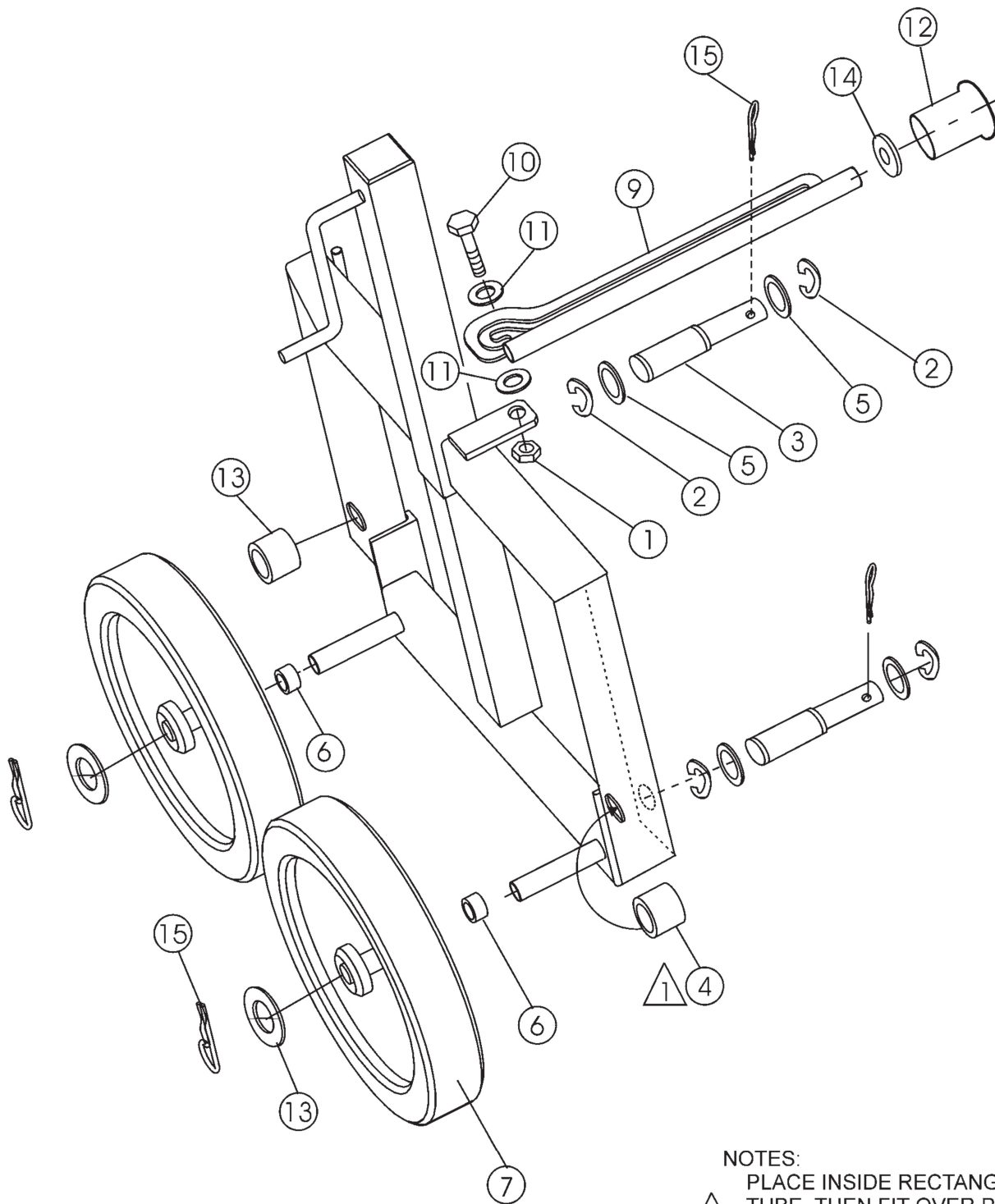
- ▲ 1 MOUNTING HARDWARE IS INCLUDED WITH LIGHT.
- ▲ 2 BRACKETS ARE WELDED TO FRAME.
- ▲ 3 SCREW IS PART OF SEAT FRAME ASSY., SEE PAGE 62, ITEM 11.
- ▲ 4 REQUIRES HAND CRIMP TOOL WAYTEK P/N 402 OR PACKARD P/N GM 12014254.
- ▲ 5 WHEN REMOVING WIRE USE TERMINAL EXTRACTION TOOL WAYTEK P/N 421.

STH-55JD-TC — LIGHT ASSY BELOW S/N ID60205

LIGHT ASSY BELOW S/N ID60205

<u>NO</u>	<u>PART NO</u>	<u>PART NAME</u>	<u>QTY.</u>	<u>REMARKS</u>
1	10320	BRACKET, LIGHT	2	
2	12171	SEAL, WEATHERPACK 16-18 GA	12	
3	12176	CONNECTOR, WEATHERPACK 2-PIN	6	
4	12179	TERMINAL, MALE 14-16 GA	12	
5	2532	LIGHT, RECTANGULAR	6	
6	5287	NUT, NYLOC 5/16-18	2	
7	3233	WASHER,FENDER, 1.5 O.D. X 3/8 I.D.	2	
8	12418	WIRE ASSY, STH LIGHT	1	

STH-55JD-TC — E-Z MOVER AND LIFT HANDLE



NOTES:
PLACE INSIDE RECTANGULAR
TUBE. THEN FIT OVER PIN
PART NUMBER 11810

STH-55JD-TC — E-Z MOVER AND LIFT HANDLE

E-Z MOVER AND LIFT HANDLE

<u>NO</u>	<u>PART NO</u>	<u>PART NAME</u>	<u>QTY.</u>	<u>REMARKS</u>
1.	10176	NYLOC NUT 1/2-13	1	
2.	1138	RING, SNAP	4	
3.	11810	PIN STH FRAME	2	
4.	12280	SPACER, SIDE MOUNT	2	
5.	12284	SHIM, FRAME PIN	4	
6.	12285	SPACER, WHEEL	2	
7.	12333	TIRE, EZ MOVER	2	
8.	12334	JACK, EZ MOVER W/A	1	
9.	12352	ARM, EZ MOVER W/A	1	
10.	16526	SCREW HHC 1/2-13X1 3/4	1	
11.	16630	WASHER, FLAT 1/2 SAE HARD	2	
12.	19716	CRUTCH TIP	1	
13.	3264	WASHER, FLAT 1 SAE PLTD	2	
14.	4001	WASHER, FLAT 3/8 PLTD STD	1	
15.	7170	PIN, COTTER 5/32	4	