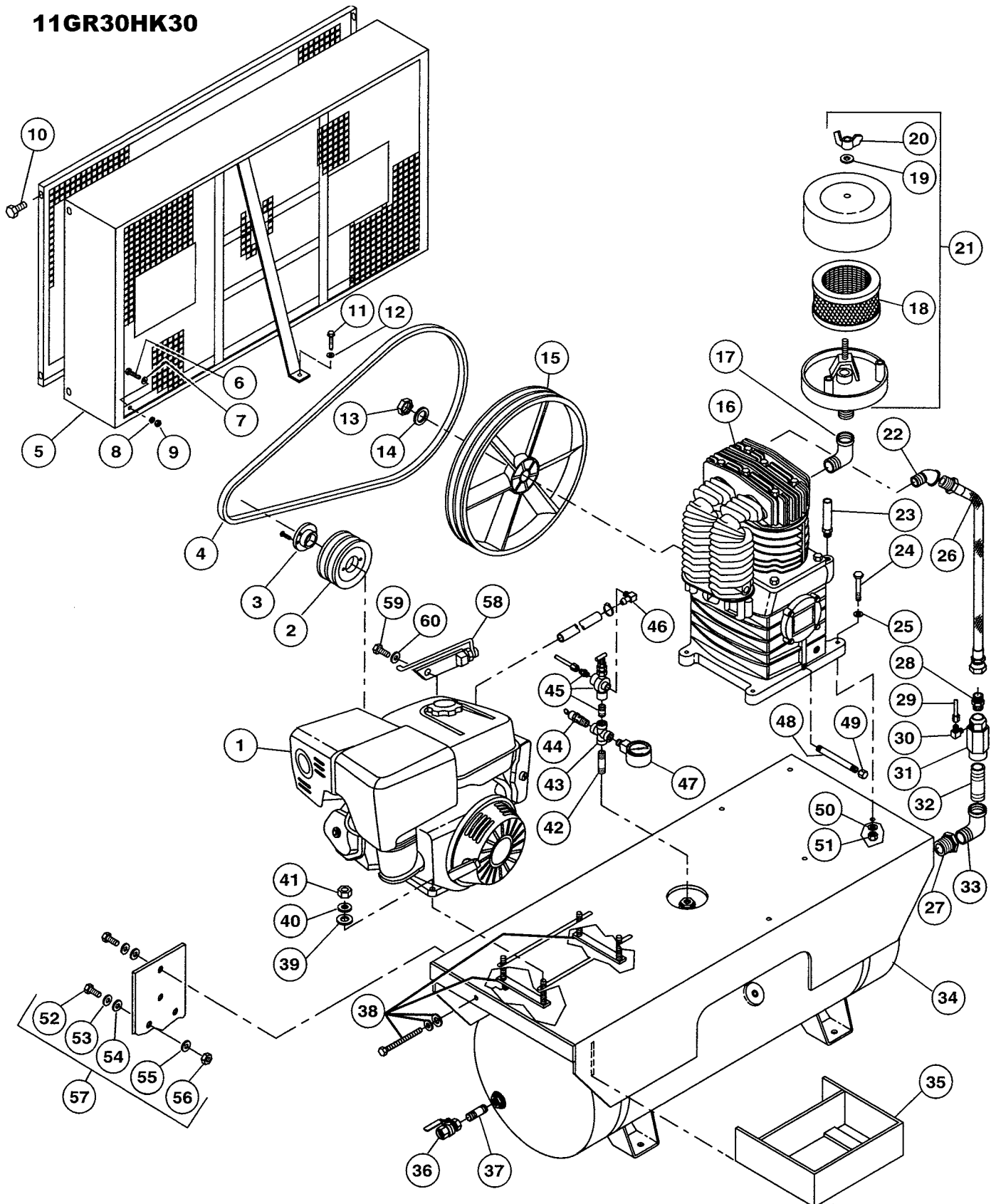




ROLAIR

**SCHEMATIC FOR MODEL
11GR30HK30**

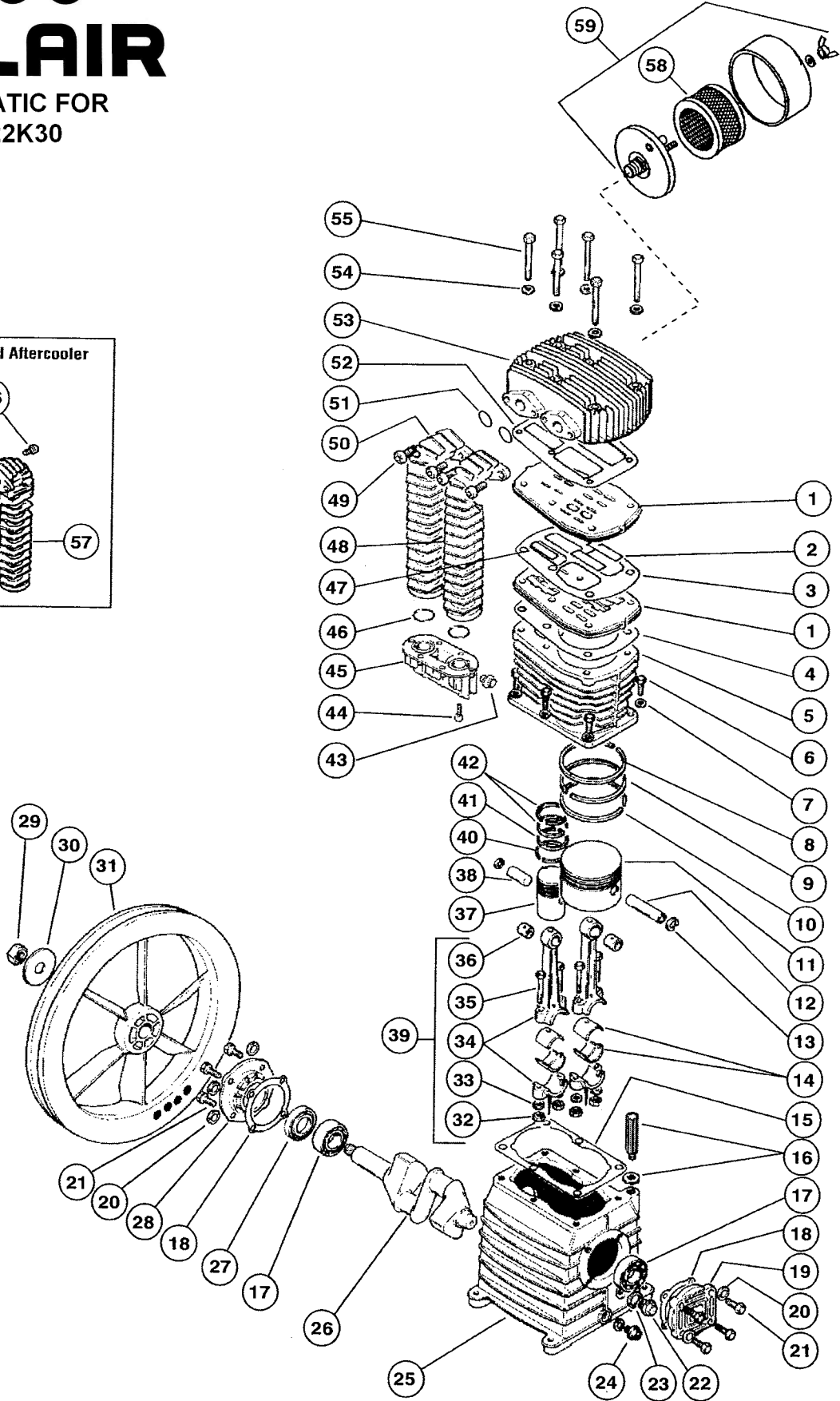
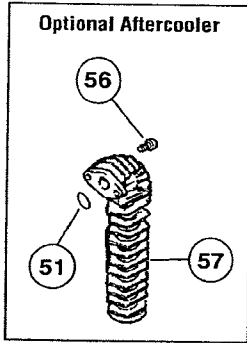


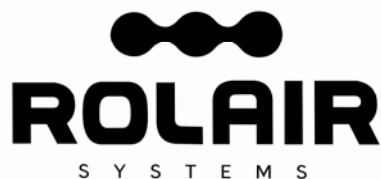
PARTS LIST FOR 11GR30 SERIES

Schematic #	Description	Part #	Qty.
1	Engine - Honda GX340 - Kohler CH11S - Briggs 254427	ENG11HO1 ENG11KOC1 ENG11BR1	1 1 1
2	Pulley	PU2AK64H	1
3	Bushing	HX1000	1
4	Belt	BTA70	2
5	Belt Guard	BG130	1
6	Bolt	MIS10023	2
7	Washer	MIS10106	2
8	Lock Washer	MIS10098	2
9	Nut	MIS10020	2
10	Bolt	MIS10094	5
11	Bolt	MIS10023	1
12	Washer	MIS10106	1
13	Nut	37403780CH	1
14	Washer	37502450CH	1
15	Flywheel	31003040CH	1
16	II-Stage Pump w/Flywheel	PMP22K30CH	1
	II-Stage Pump less Flywheel	PMP22K30CHLF	1
17	Elbow	BLEL0750X90S	1
18	Filter Element	431	1
19	Washer	FSWASHER	1
20	Wing Nut	FSNUT	1
21	Silencer/Filter Assembly	FS14075	1
22	Elbow	BLEL0750X45S	1
23	3/8" Breathe/Oil Fill Plug	36507050CH	1
24	Bolt	MIS10045	4
25	Washer	MIS10103	4
26	Braided Discharge Tube	145C	1
27	Bushing	BLBS0750X0500	1
28	Brass Straight	BRST0500X0750FL	1
29	1/4" Nylon Tubing	178D	3'
	Brass Nut	BRNT0250	2
	Brass Ring	BRRG0250	2
	Brass Sleeve	BRSL0250	2
30	Brass Elbow	BREL0250X012539	1
31	Check Valve	CV4X4L1	1
32	Nipple	BLNP0500X1500	1
33	Elbow	BLEL0500X90S	1
34	Tank Assembly	TNK030AH	1
35	Battery Tray	BT5250X8250	1
36	Shut-Off Valve	SOV0500	1
37	Nipple	BLNP0500X2000	1
38	Belt Tightener/Mounting Kit	SBT11HP-ANGLE	1
39	Washer	MIS10103	4
40	Lock Washer	MIS10100	4
41	Nut	MIS10040	4
42	Nipple	BLNP0250X4000	1
43	Cross	BLCR0250	1
44	Safety Relief Valve	SRV0250A200	1
45	Pilot Unloader Valve	131B	1
46	Brass Elbow	BREL0250X0125H16	1
47	Pressure Gauge	GA0250300	1
48	Nipple	BLNP0250X5000	1
49	Cap	BLCA0250	1
50	Lock Washer	MIS10100	4
51	Nut	MIS10040	4
52	Bolt	MIS10022	4
53	Lock Washer	MIS10098	4
54	Washer	MIS10106	4
55	Lock Washer	MIS10098	4
56	Nut	MIS10020	4
57	Vibration Dampening Kit	VIBBR11GR	1
58	Throttle Control Kit - Honda GX340 - Kohler CH11S - Briggs 254427	207GX340&390K1QAE 207CH11&CH14S 207BR11HP	1 1 1
59	Bolt	MIS10041	1
60	Lock Washer	MIS10100	1

ROLAIR

SCHMATIC FOR
PMP22K30





PARTS LIST FOR PMP22K30

Schem. #	Description	Part #	Qty.	Schem. #	Description	Part #	Qty.
1	Valve Plate	32702750CH	2	36	Bushing*	31102250CH	2
2	Valve - LP	32702400CH	4	37	Piston - HP	31203050CH	1
3	Gasket	30502280CH	1	38	Piston Pin - HP	31202240CH	1
4	Gasket	30502290CH	1	39	Connecting Rod Assy.	31101990CH1	2
5	Cylinder	31602020CH	1	40	Ring - HP	31202210CH	1
6	Bolt	37302420CH	6	41	Ring - HP	31202200CH	1
7	Washer	37504220CH	6	42	Ring - HP	31203390CH	2
8	Ring - LP	31202160CH	1	43	Plug	36506800CH	1
9	Ring - LP	31202170CH	1	44	Bolt	37302480CH	6
10	Ring - LP	31202180CH	1	45	Connector	3690211ACH	1
11	Piston - LP	31202190CH	1	46	O-Ring	30502400CH	2
12	Piston Pin - LP	31202230CH	1	47	Valve - HP	32702390CH	2
13	Snap Ring	37602260CH	4	48	Right Intercooler	32902720CH	1
14	Bearing Shell	31102130CH	2	49	Bolt	37302530CH	4
15	Gasket	30502300CH	1	50	Left Intercooler	32902710CH	1
16	3/8" Breather/Oil Fill Plug	36507050CH	1	51	O-Ring	30502500CH	2
				52	Gasket	30502270CH	1
17	Bearing	30302140CH	2	53	Head	31302700CH	1
18	Gasket	30502310CH	2	54	Washer	37502320CH	6
19	Bearing Carrier	30402740CH	1	55	Bolt	37308060CH	6
20	Washer	37508130CH	8	56	Bolt	37302530CH	2
21	Bolt	37301140CH	8	57	Aftercooler	32902730CH	1
22	Sight Gauge	36500140CH	1	58	Filter Element	431	1
23	Gasket	30500130CH	1	59	Silencer/Filter Assembly	FS14075	1
24	Plug	BLSQPL0250	1		KITS		
25	Crankcase	33102030CH	1		Gasket Set (3,4,15,18,23,52)	K30GASKETS	1
26	Crankshaft	30202000CH	1		Ring Set (8,9,10,40,41,42)	K30RINGS	1
27	Oil Seal	30302150CH	1		Valve Plate Assembly (1,2,3,4,47,52)	3000VK30	1
28	Bearing Carrier	30402800CH	1		Piston Assembly - LP (8,9,10,11,12,13)	3000PLPK30	1
29	Nut	37403780CH	1		Piston Assembly - HP (13,37,38,40,41,42)	3000PHPK30	1
30	Washer	37502450CH	1				
31	Flywheel	31003040CH	1				
32	Nut	37402590CH	4				
33	Washer	17500230CH	4				
34	Connecting Rod w/Upper Bushing	31101990CH	2				
35	Bolt	37302460CH	4				

*Bushing is not machined to fit piston pin if ordered separate from connecting rod and must be bored to .005" over O.D. of piston pin after being pressed into place.