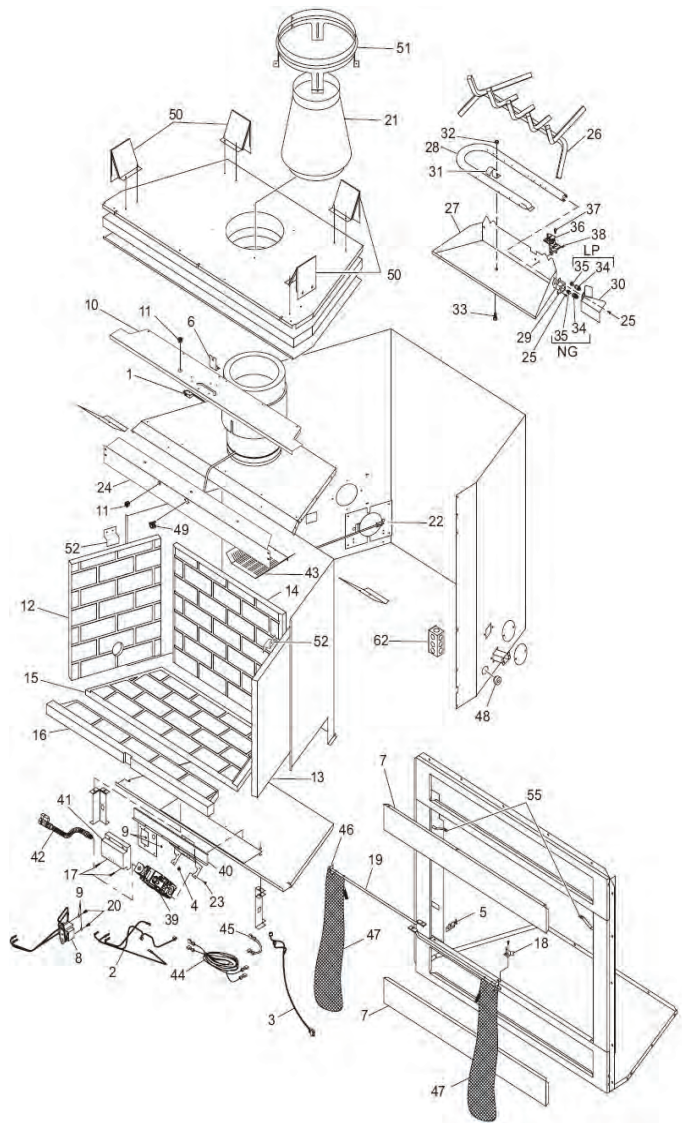


FMI Mission 42" B-Vent Electronic Ignition Fireplace

MODELS: M42E, M42EP, M42EB, M42EPB, M42EH, M42EPH

	Part Number	Description
1	14153	Micro Switch
2	109098-01	Wire Harness
3	108863-01	24" Supply Connect Plug
4	108864-01	Strain Relief 1/2" Bushing
5	106642-01	Air Rod Retainer
6	106643-01	Damper Rod Retainer
7	107805-01	Panel Closure
8	14129	Transformer
9	11201	Nut, #8-32
10	107811-02	Air Separator
11	11408	Bushing
12	See Below	Left Refractory
13	See Below	Right Refractory
14	See Below	Rear Refractory
15	See Below	Bottom Rear Refractory
16	See Below	Bottom Front Refractory
17	11186	Scew, #8-32
18	20088	Door Stop
19	107839-01	Screen Rod
20	11109	Screw, #8-32 x 1/2"
21	106699-01	Transition 6" B-Vent Collar
22	106703-02	Air Kit Door Assembly
23	11107	Screw, #10-32 x 1/4"
24	107823-02	Smoke Deflector
25	11165	Screw, #10 x 5/8"
26	107796-02	Grate Assy
27	107742-02	Burner Pan
28	107831-01	Burner Tube
29	107748-01	Burner Brckt
30	107985-02	Pilot Shield
31	901681-01	Burner Clamp
32	11209	Nut, #10-24
33	11147	Screw, #10-24 x 1/2
34	901066-01	Brass Air Mixer (NG)
	901066-02	Brass Air Mixer (LP)
35	901064-08	Orifice (NG)
	901065-08	Orifice (LP)
36	108866-01	Pilot (NG)
	108866-02	Pilot (LP)
37	108867-01	Pilot Orifice (NG)
	108867-02	Pilot Orifice (LP)
38	11102	Screw, #8-32 x 3/8
39	14569	Gas Control Valve (NG)
	14570	Gas Control Valve (LP)
40	107741-01	Valve Bracket
41	110286-01	Ignition Module
42	111288-02	Manual Valve w/ Flex Hose
43	22924	Draft Diverter
44	108005-03	Wire Harness
45	108005-02	Wire Harness, Jumper
46	11418	Push-On Nut
47	107840-01	Screen
48	14123	Strain Relief
49	106543-01	Limit Switch



	Part No.	Description
50	20280	Top Spacer
51	20023	Starter Collar
52	20027	Brick Liner Retainer
53	20042	Air Kit Cover
54	20090	Spring Clip
55	20089	Pivot Clip
Stacked Brick Refractory		
12	107812-02	Left Refractory
13	107814-02	Right Refractory
14	107816-02	Rear Refractory
15	107818-02	Bottom Rear Refractory
16	107820-02	Bottom Front Refractory
Herringbone Brick Refractory		
12	108169-02	Left Refractory
13	108170-02	Right Refractory
14	108171-02	Rear Refractory
15	108172-02	Bottom Rear Refractory
16	108173-02	Bottom Front Refractory
PARTS AVAILABLE NOT SHOWN		
	901157-02	Lava Rock