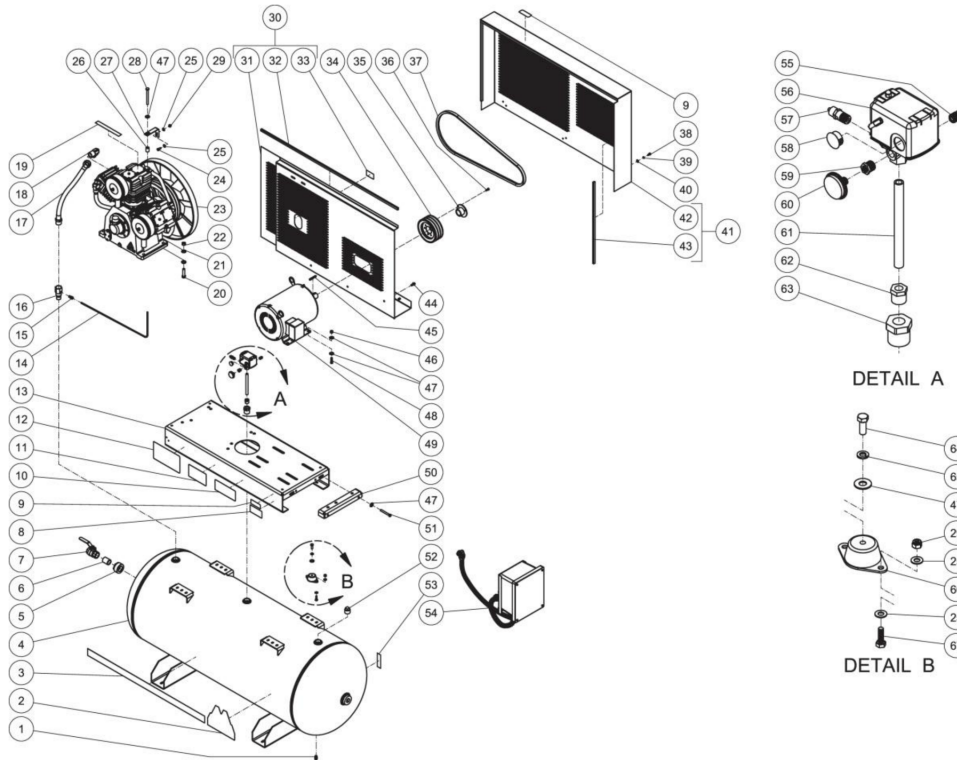




AM2-HE10-120M / AM2-HE10-120M (sn:0-99999999)

## TANK ASSEMBLY



Id	Item #	Description	Quantity	Rev	Comments
1	23-0312	PETCOCK	2		
2	34-2171	DECAL - #5M	1		
3	34-2282	DECAL MI-T-M STRIPE	1		
4	12-0201A01	TANK ASSEMBLY	1		
5	24-0233	REDUCER	1		
6	24-0200	NIPPLE	1		
7	22-0344	BALL VALVE	1		
8	N/A	DECAL- DATA PLATE	1		
9	N/A	DECAL - RISK OF BURNS (SEE 34-9016)	2		
10	N/A	DECAL - OPERATING INSTRUCTIONS (SEE 34-9016)	1		
11	N/A	DECAL - MAINTENANCE INSTRUCTIONS (SEE 34-9016)	1		
12	N/A	DECAL - CAUTION/WARNING/DANGER (SEE 34-9016)	1		
13	5-0282A01	BASEPLATE	1		

Id	Item #	Description	Quantity	Rev	Comments
14	54-0034	COPPER TUBING *(THREE FEET REQUIRED)	1		
15	23-0328	ADAPTER	1		
16	22-0436	CHECK VALVE	1		
17	15-0280	HOSE	1		
18	23-0471	ELBOW	1		
19	N/A	DECAL - CHECK OIL (SEE 34-9016)	1		
20	27-0220	BOLT	4		
21	28-0006	WASHER	8		
22	30-0163	NUT	4		
23	3-0313	PUMP	1		
24	27-0066	BOLT	2		
25	28-0003	WASHER	20		
26	33-0425	SPACER	2		
27	20-1032A01	BELTGUARD STABILIZER	2		
28	27-8071	BOLT	2		
29	30-0157	LOCKNUT	10		
30	854-0098	BELTGUARD BACK ASSEMBLY (INC. 31-33)	1		
31	N/A	BELTGUARD BACK (SEE 854-0098)	1		
32	33-0020	EDGING *(FOUR FEET REQUIRED)	1		
33	N/A	DECAL - BELTGUARD IN PLACE (SEE 34-9016)	1		
34	10-0146	SHEAVE	1		
35	9-0090	BUSHING	1		
36	27-0015	BOLT	3		
37	11-0079	BELT	3		
38	27-8001	BOLT	3		
39	29-0006	LOCKWASHER	3		
40	28-0002	WASHER	3		
41	854-0099	BELTGUARD FRONT ASSEMBLY (INC. 42-43)	1		
42	N/A	BELTGUARD FRONT (SEE 854-0099)	1		
43	33-0020	EDGING *(TWO FEET REQUIRED)	2		
44	27-9524	BOLT	3		
45	43-0078	KEY	1		
46	30-0159	LOCKNUT	4		
47	28-0023	WASHER	16		
48	27-0118	BOLT	4		
49	2-0174	MOTOR (230V/1 PHASE)	1		
49	2-0165	MOTOR (200V/3 PHASE)	1		
49	2-0176	MOTOR (230V/3 PHASE, 460V/3 PHASE)	1		
50	20-1030A01	BELT TENSIONER PLATE	1		

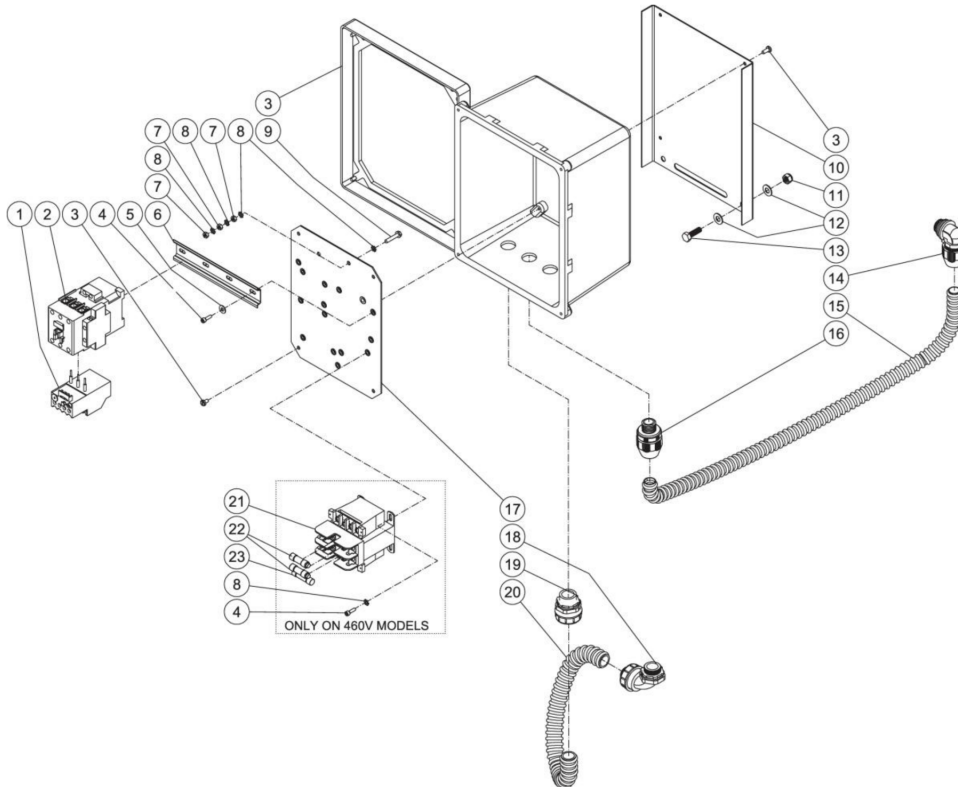
Id	Item #	Description	Quantity	Rev	Comments
51	27-0576	BOLT	2		
52	24-0219	PLUG	1		
53	N/A	DECAL - TANK DRAIN (SEE 34-9016)	2		
54	AX-0048	STARTER OPTION (230V/1 PHASE)	1		
54	AX-0049	STARTER OPTION (200V/3 PHASE)	1		
54	AX-0050	STARTER OPTION (230V/3 PHASE)	1		
54	AX-0051	STARTER OPTION (460V/3 PHASE)	1		
58	39-0014	PLUG	1		
55	24-0009	PLUG	1		
56	22-0416	PRESSURE SWITCH	1		
57	22-0267	PRESSURE RELIEF VALVE	1		
59	23-0111	REDUCER	1		
60	22-0271	PRESSURE GAUGE	1		
61	24-0315	NIPPLE	1		
62	23-0056	REDUCER	1		
63	23-0226	REDUCER	1		
64	27-0117	BOLT	4		
65	29-0008	LOCKWASHER	4		
66	14-0109	ISOLATOR	4		
67	27-0067	BOLT	8		
	22-0267	PRESSURE RELIEF VALVE-(NOT SHOWN, ON PUMP HEAD)	1		
	34-9016	DECAL SET	1		

\*MUST ORDER IN ONE FOOT LENGTHS



AM2-HE10-120M / AM2-HE10-120M (sn:0-99999999)

## AX-OPTION



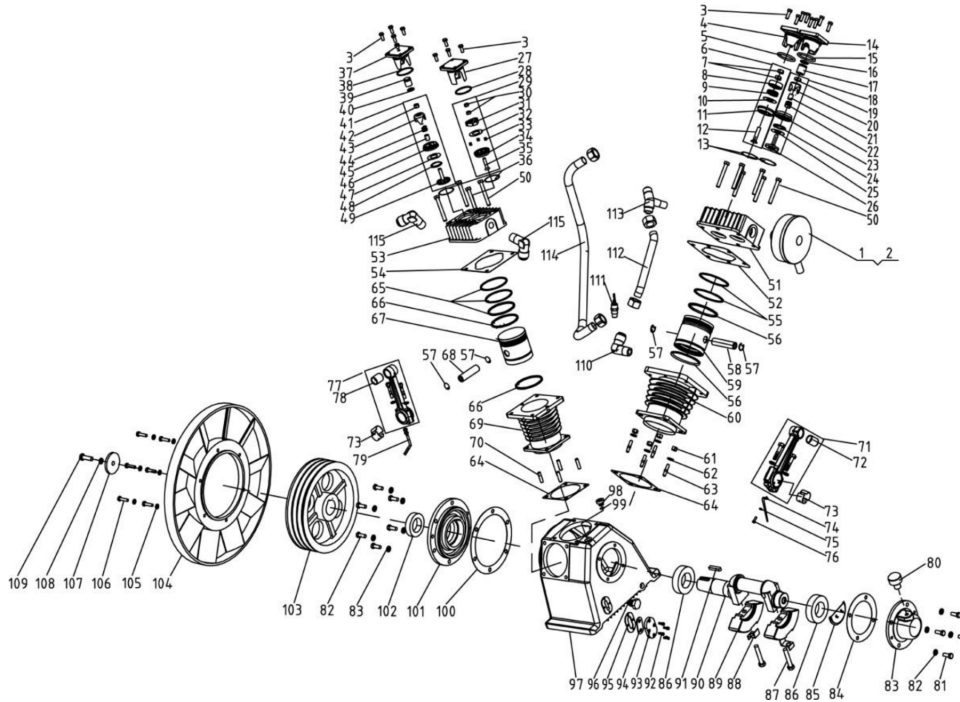
Id	Item #	Description	Quantity	Rev	Comments
1	32-0485	OVERLOAD RELAY (AX-0048, AX-0049) 230V 1 PHASE, 200V 3 PHASE	1		
1	32-0484	OVERLOAD RELAY (AX-0050) 230V 3 PHASE	1		
1	32-0482	OVERLOAD RELAY (AX-0051) 460V 3 PHASE	1		
2	32-0700	CONTACTOR (AX-0048) 230V 1 PHASE	1		
2	32-0232	CONTACTOR (AX-0049) 200V 3 PHASE	1		
2	32-0945	CONTACTOR (AX-0050) 230V 3 PHASE	1		
2	32-0327	CONTACTOR (AX-0051) 460V 3 PHASE	1		
3	32-079901	ELECTRIC BOX	1		
4	27-8835	SCREW	5		
5	28-0001	WASHER	3		
6	32-0316	DIN RAIL (ONE FOOT REQUIRED)	1		
7	30-6001	NUT	3		

Id	Item #	Description	Quantity	Rev	Comments
8	28-1009	STAR WASHER	6		
9	27-8807	BOLT	1		
10	20-1037A01	MOUNTING PLATE	1		
11	30-0157	LOCKNUT	2		
12	28-0003	WASHER	4		
13	27-0067	BOLT	2		
14	32-0254	CONDUIT ELBOW	1		
15	32-0253	CONDUIT (THREE FEET REQUIRED)	1		
16	32-0255	CONDUIT FITTING	1		
17	20-0723A06	CONTROL PANEL	1		
18	32-0487	CONDUIT ELBOW	1		
19	32-0488	CONDUIT STRAIGHT	1		
20	32-0486	CONDUIT (TWO FEET REQUIRED)	1		
21	32-0313	TRANSFORMER	1		
22	32-0467	FUSE	2		
23	32-0323	FUSE	1		
	32-1002	ELEC. REDUCING WASHER 1" TO 1/2"	2		



AM2-HE10-120M / AM2-HE10-120M (sn:0-99999999)

## PUMP ASSEMBLY



Id	Item #	Description	Quantity	Rev	Comments
1	19-0259	AIR STRAINER ASSEMBLY	2		
2	19-0260	AIR STRAINER ELEMENT (NOT SHOWN)	2		
3	N/A	OUTLET VALVE PUSH COVER BOLT; M8 X 25MM	16		
4	N/A	OUTLET VALVE PUSH COVER (1ST)	2		
5	25-0608	VITON O-RING G 55 (OUTLET VLAVE-1ST)	2		
6	8-0599	OUTLET VALVE ASSEMBLY (1ST)	2		
7	N/A	NUT; M8 (OUTLET VALVE-1ST)	4		
8	N/A	OUTLET VALVE RECEIVER (1ST)	2		
9	N/A	OUTLET VALVE SPRING (1ST)	2		
10	N/A	OUTLET VALVE PLATE (1ST)	2		
11	N/A	OUTLET VALVE SEAT (1ST)	2		
12	N/A	OUTLET VALVE BOLT; M10 X 50MM (1ST)	2		
13	26-0333	INLET & OUTLET VALVE GASKET (1ST)	4		
14	N/A	INLET VALVE PUSH COVER (1ST)	2		
15	25-0609	O-RING G 55 (INLET VALVE-1ST)	2		

<b>Id</b>	<b>Item #</b>	<b>Description</b>	<b>Quantity</b>	<b>Rev</b>	<b>Comments</b>
16	25-0610	VITON O-RING P 21 (UNLOADER-1ST)	2		
17	46-1346	UNLOADER PISTON (1ST)	2		
18	8-0598	INLET VALVE ASSEMBLY (1ST)	2		
19	N/A	LOCKNUT;M10 (INLET VALVE-1ST)	2		
20	N/A	INLET VALVE UNLOADER FORK (1ST)	2		
21	N/A	INLET VALVE UNLOADER FORK GUIDE (1ST)	2		
22	N/A	UNLOADER SPRING (1ST)	2		
23	N/A	INLET VALVE SEAT (1ST)	2		
24	N/A	INLET VALVE PLATE (1ST)	2		
25	N/A	INLET VALVE SPRING (1ST)	2		
26	N/A	INLET VALVE RECEIVER (1ST)	2		
27	N/A	OUTLET VALVE PUSH COVER (2ND)	1		
28	25-0611	VITON O-RING G 40 (OUTLET VALVE-2ND)	1		
29	8-0601	OUTLET VALVE ASSEMBLY (2ND)	1		
30	N/A	NUT; M8 (OUTLET VALVE-2ND)	1		
31	N/A	OUTLET VALVE RECEIVER (2ND)	1		
32	N/A	OUTLET VALVE PLATE (2ND)	3		
33	N/A	OUTLET VALVE SPRING (2ND)	1		
34	N/A	OUTLET VALVE SEAT (2ND)	1		
35	N/A	OUTLET VALVE BOLT; M8 X 39.5MM	1		
36	26-0334	INLET & OUTLET VALVE GASKET (2ND)	2		
37	N/A	INLET VALVE PUSH COVER (2ND)	1		
38	25-0612	VITON O-RING G 40 (INLET VALVE-2ND)	1		
39	46-1347	UNLOADER PISTON (2ND)	1		
40	25-0613	VITON O-RING P 20 (UNLOADER-2ND)	1		
41	8-0600	INLET VALVE ASSEMBLY (2ND)	1		
42	N/A	LOCKNUT; M8 (INLET VALVE-2ND)	2		
43	N/A	INLET VALVE UNLOADER FORK (2ND)	1		
44	N/A	UNLOADER SPRING (2ND)	1		
45	N/A	INLET VALVE UNLOADER FORK GUIDE (2ND)	1		
46	N/A	INLET VALVE SEAT (2ND)	1		
47	N/A	INLET VALVE PLATE (2ND)	1		
48	N/A	INLET VALVE SPRING (2ND)	1		
49	N/A	INLET VALVE RECEIVER (2ND)	1		
50	N/A	CYLINDER HEAD BOLT (1ST); M10 X 80MM	16		
51	N/A	CYLINDR HEAD (1ST)	2		
52	26-0335	HEAD - CYLINDER GASKET (1ST)	2		
53	N/A	CYLINDER HEAD (2ND)	1		
54	26-0336	HEAD - CYLINDER GASKET (2ND)	1		

<b>Id</b>	<b>Item #</b>	<b>Description</b>	<b>Quantity</b>	<b>Rev</b>	<b>Comments</b>
55	N/A	COMPRESSION RING (1ST)	4		
56	N/A	OIL CONTROL RING (1ST)	4		
57	N/A	PISTON PIN SNAP RING (1ST)	6		
58	N/A	PISTON PIN (1ST)	2		
59	N/A	PISTON (1ST)	2		
60	N/A	CYLINDER (1ST)	2		
61	N/A	CYLINDER NUT (1ST); M10	12		
62	N/A	CYLINDER BOLT COPPER WASHER (1ST); M10	12		
63	N/A	CYLINDER BOLT (1ST); M10 X 40MM	8		
64	26-0337	CYLINDER - CASE GASKET	3		
65	N/A	COMPRESSION RING (2ND)	3		
66	N/A	OIL CONTROL RING (2ND)	2		
67	N/A	PISTON (2ND)	1		
68	N/A	PISTON PIN (2ND)	1		
69	N/A	CYLINDER (2ND)	1		
70	N/A	CYLINDER BOLT (1ST); M10 X 43MM	4		
71	N/A	CONNECTING ROD ASSEMBLY (1ST)	2		
72	N/A	CONNECTING ROD - PISTON PIN BUSHING (1ST)	2		
73	N/A	CONNECTING ROD CRANK PIN METAL (1ST)	6		
74	N/A	OIL SPLASH DIPPER	2		
75	N/A	OIL SPLASH DIPPER BOLT SPRING WASHER; M5	3		
76	N/A	OIL SPLASH DIPPER BOLTS; M5 X 16MM	3		
77	N/A	CONNECTING ROD ASSEMBLY (2ND)	1		
78	N/A	CONNECTING ROD - PISTON NEEDLE BEARING (2ND)	1		
79	N/A	OIL SPLASH DIPPER	1		
80	46-1345	BREATHER ASSEMBLY	1		
81	N/A	REAR BEARING COVER BOLT; M10 X 25MM	10		
82	N/A	REAR BEARING COVER BOLT COPPER WASHER; M10	10		
83	N/A	REAR BEARING COVER	1		
84	26-0338	REAR BEARING COVER GASKET	1		
85	N/A	OIL BAFFLE	1		
86	N/A	FRONT & REAR BEARING	2		
87	N/A	CRANKSHAFT COUNTERWEIGHT BOLT; M12 X 72MM	2		
88	N/A	CRANKSHAFT COUNTERWEIGHT LOCKWASHER	2		
89	N/A	CRANKSHAFT COUNTERWEIGHT	1		
90	N/A	CRANKSHAFT	1		
91	N/A	V-PULLEY PIN	1		
92	N/A	OIL LEVEL GLASS BOLT; M5 X 20MM	4		
93	N/A	OIL LEVEL GLASS PUSH COVER	1		

Id	Item #	Description	Quantity	Rev	Comments
94	N/A	OIL LEVEL GLASS ASSEMBLY	1		
95	N/A	OIL LEVEL GLASS GASKET	1		
96	N/A	CRANKCASE OIL PLUG (1/2" NPT)	1		
97	N/A	CRANKCASE	1		
98	N/A	OIL FILL CAP	1		
99	N/A	O-RING (OIL FILL CAP)	1		
100	26-0339	FRONT BEARING COVER GASKET	1		
101	N/A	FRONT BEARING COVER	1		
102	N/A	FRONT OIL SEAL	1		
103	N/A	COMPRESSOR PULLEY	1		
104	N/A	COMPRESSOR FAN	1		
105	N/A	COMPRESSOR FAN SPRING WASHER; M8	6		
106	N/A	COMPRESSOR FAN BOLT; M8 X 30MM	6		
107	N/A	COMPRESSOR PULLEY THRUST WASHER	1		
108	N/A	COMPRESSOR PULLEY SPRING WASHER; M12	1		
109	N/A	COMPRESSOR PULLEY BOLT; M12 X 40MM	1		
110	N/A	OUTLET PIPING JOINT	1		
111	N/A	LP ASME SAFETY VALVE 1/8"	1		
112	46-1348	DISCHARGE PIPING ASSEMBLY - SHORT	1		
113	N/A	OUTLET PIPING JOINT	1		
114	46-1349	DISCHARGE PIPING ASSEMBLY - LONG	1		
115	N/A	OUTLET PIPING JOINT	2		
116	N/A	UNLOADER ELBOW	1		
117	N/A	UNLOADER TUBE ASSEMBLY	2		
118	N/A	UNLOADER COPPER TEE	2		
119	N/A	CUNLOADER CONNECTION FERRULE	1		
120	N/A	UNLOADER TUBE NUT	1		
KIT	70-0531	GASKET KIT (INC. 13, 36, 52, 54, 64, 84, 100)	1		