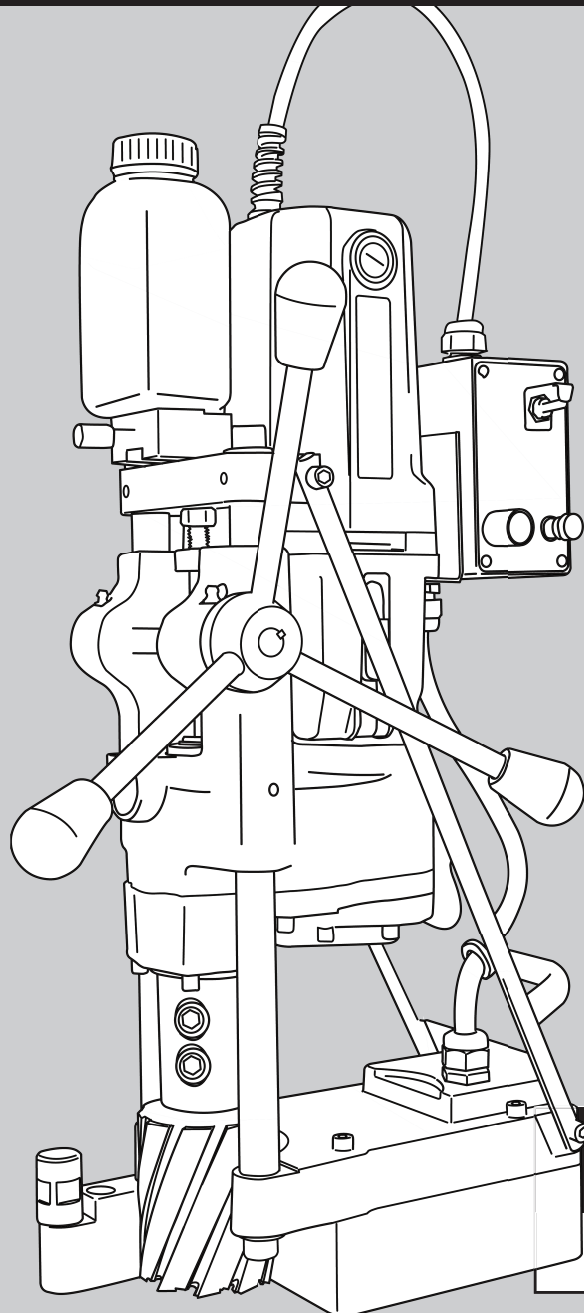




# OPERATOR'S MANUAL

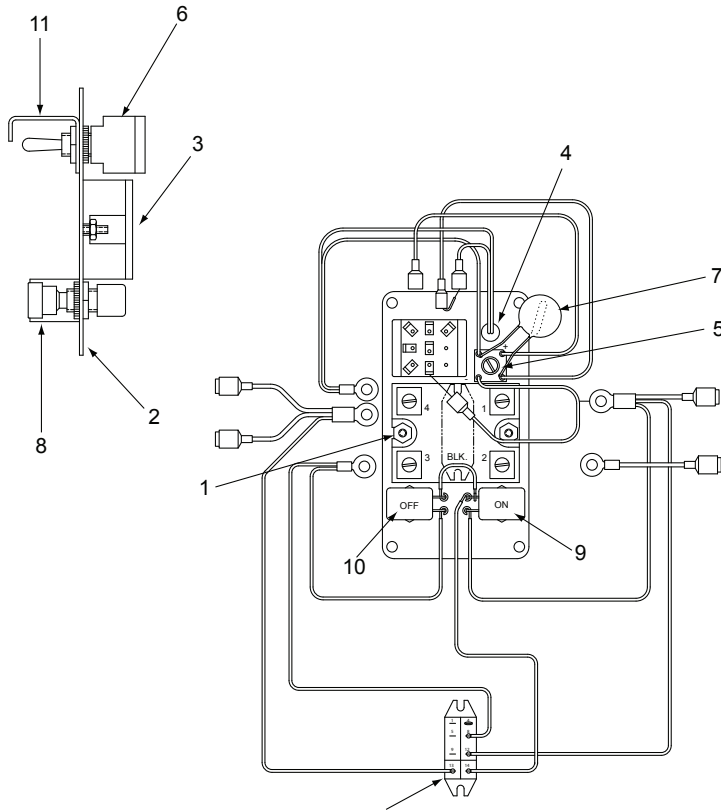
## HMD933 SERIES PORTABLE MAGNETIC DRILL



**Covers Drill  
Part Numbers:**

0933102	0933202
0933302	0933402

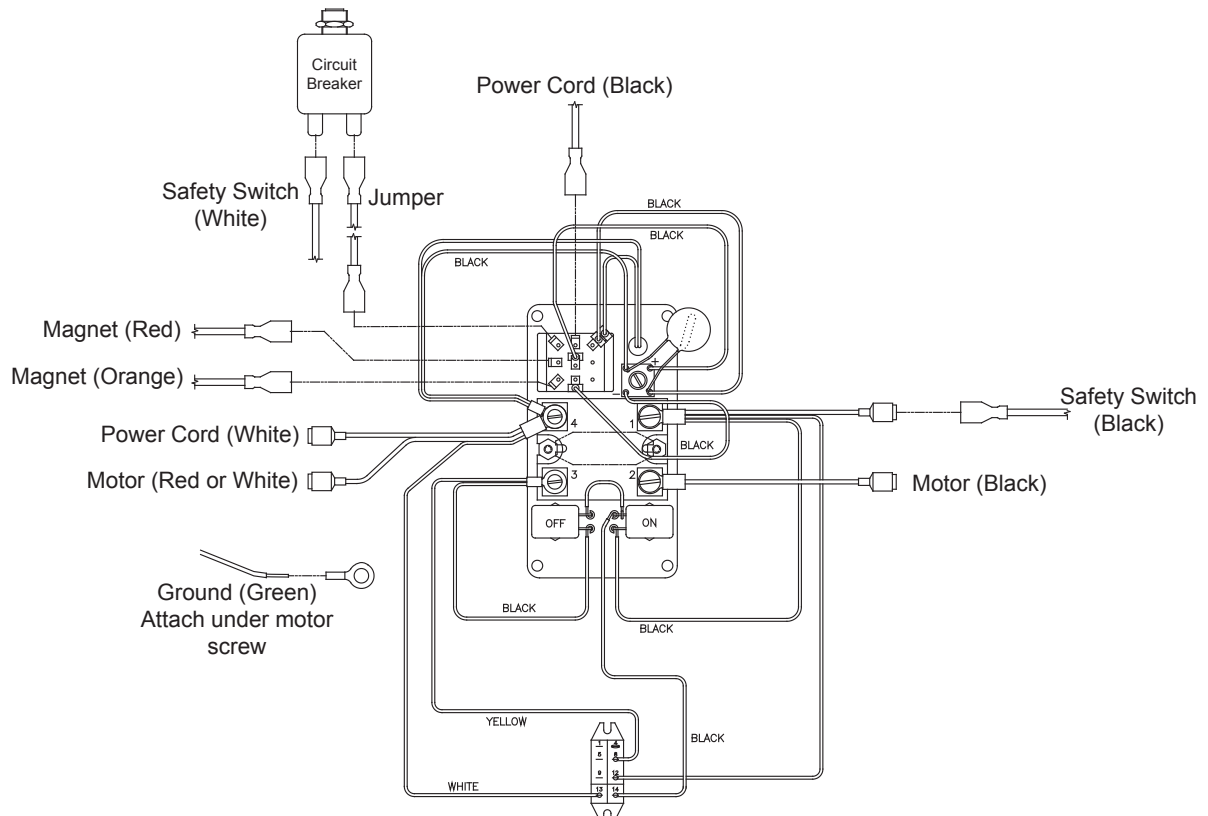
## 120V PANEL COMPONENTS



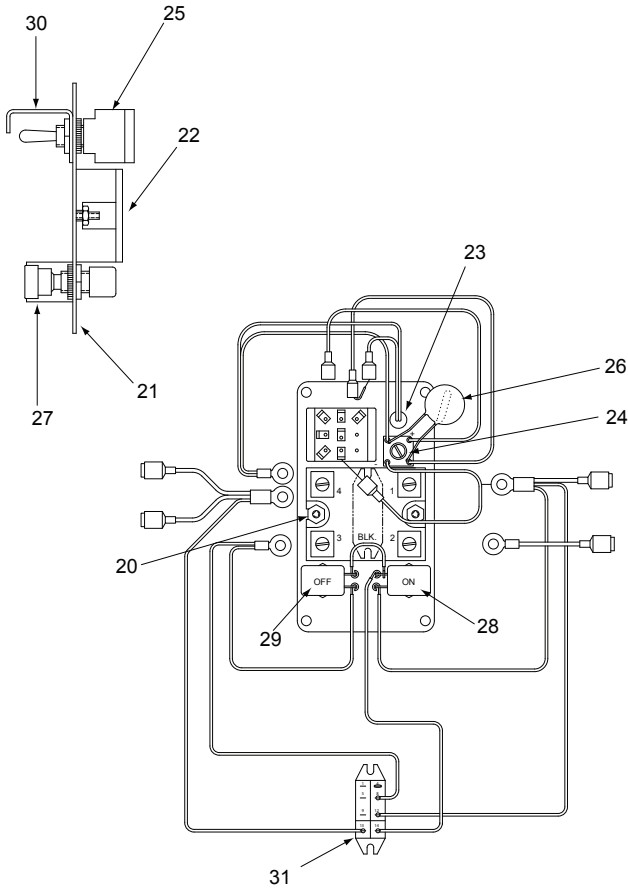
No.	Part #	Description	Qty.
1	40374	Nut #6-32	2
2	05840	Faceplate	1
3	04387	Relay - Solid State	1
4	10703	Pilot Light	1
5	10705	Rectifier	1
6	10715	Toggle Switch Magnet	1
7	10718	Surge Suppressor	1
8	10762	Push Button SwitchGuard	1
9	10763	Motor "ON" Switch	1
10	10764	Motor "OFF" Switch	1
11	10964	Toggle Switch Guard	1
12	01205	Relay Logic	1
13	04381	120V Panel Assy.	1
*	10766	Circuit Breaker	1
*	40084	Wire Harness	1

\* Not Shown

## 120V HOOK UP DIAGRAM



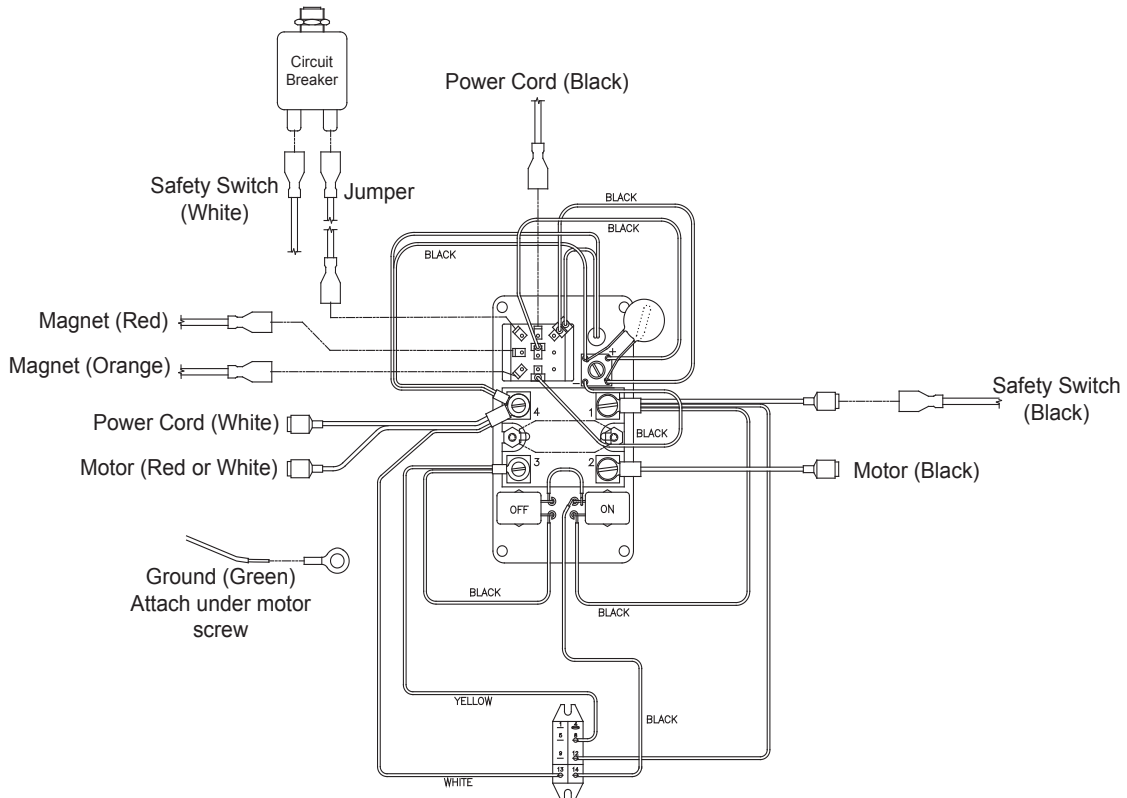
## 230V PANEL COMPONENTS



No.	Part #	Description	Qty.
20	40374	Nut #6-32	2
21	05840	Faceplate	1
22	04387	Relay - Solid State	1
23	10703	Pilot Light	1
24	10705	Rectifier	1
25	10715	Toggle Switch Magnet	1
26	10760	Surge Suppressor	1
27	10762	Push Button Switch Guard	1
28	10763	Motor "ON" Switch	1
29	10764	Motor "OFF" Switch	1
30	10964	Toggle Switch Guard	1
31	01005	Relay Logic	1
32	10796	230V Panel Assy.	1
*	10785	Circuit Breaker	1
*	40084	Wire Harness	1

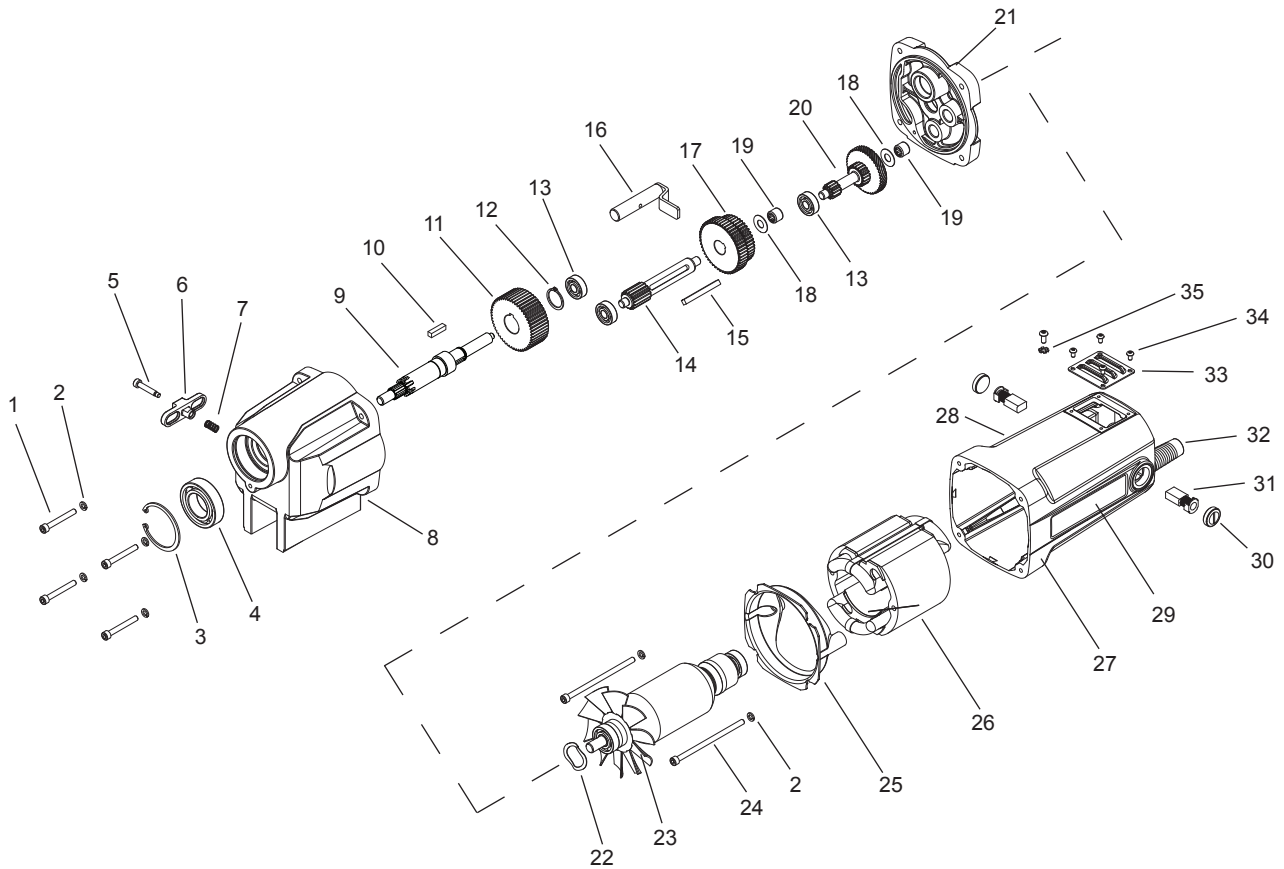
\* Not Shown

## 230V HOOK UP DIAGRAM



# MOTOR PARTS

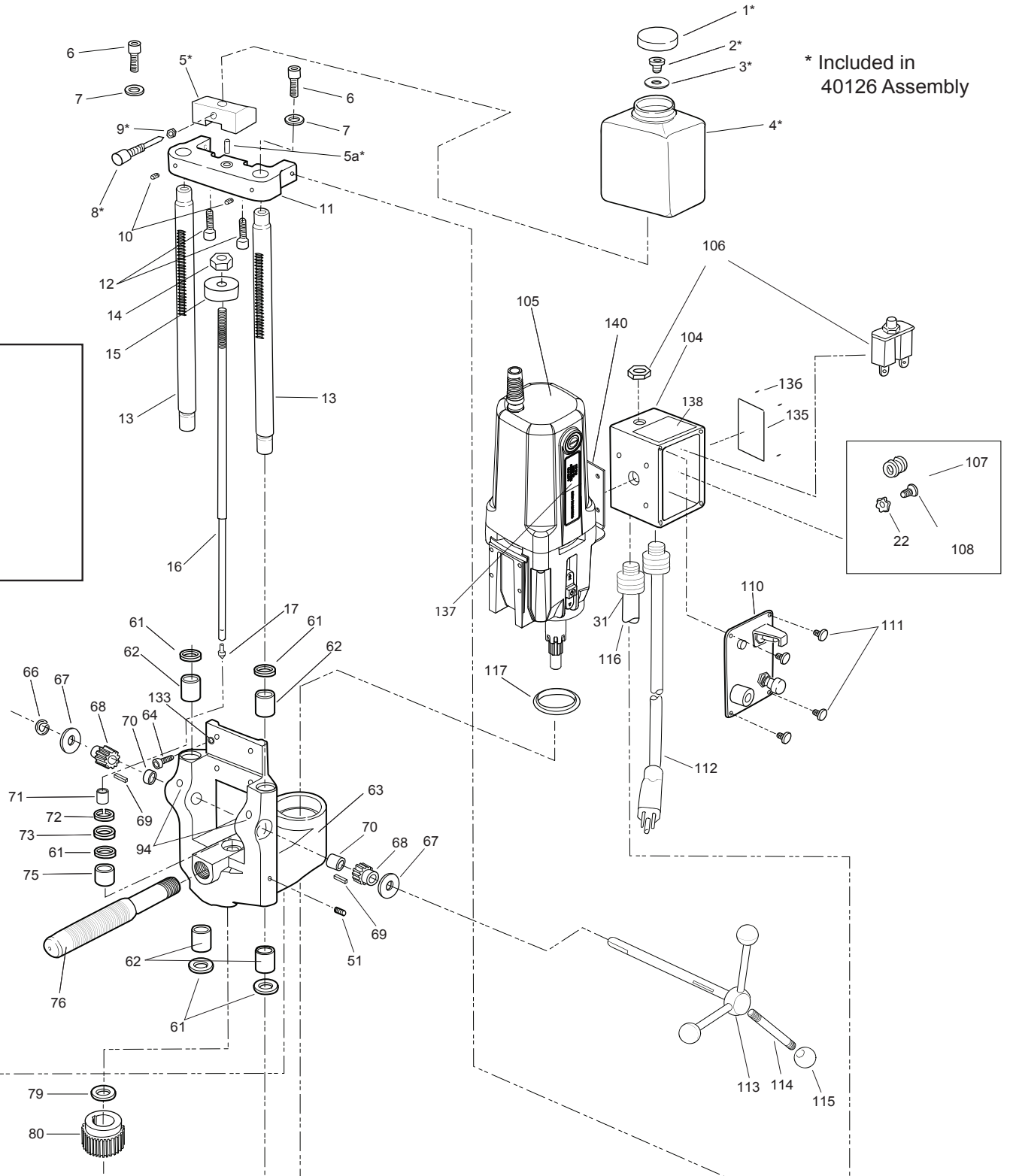
English

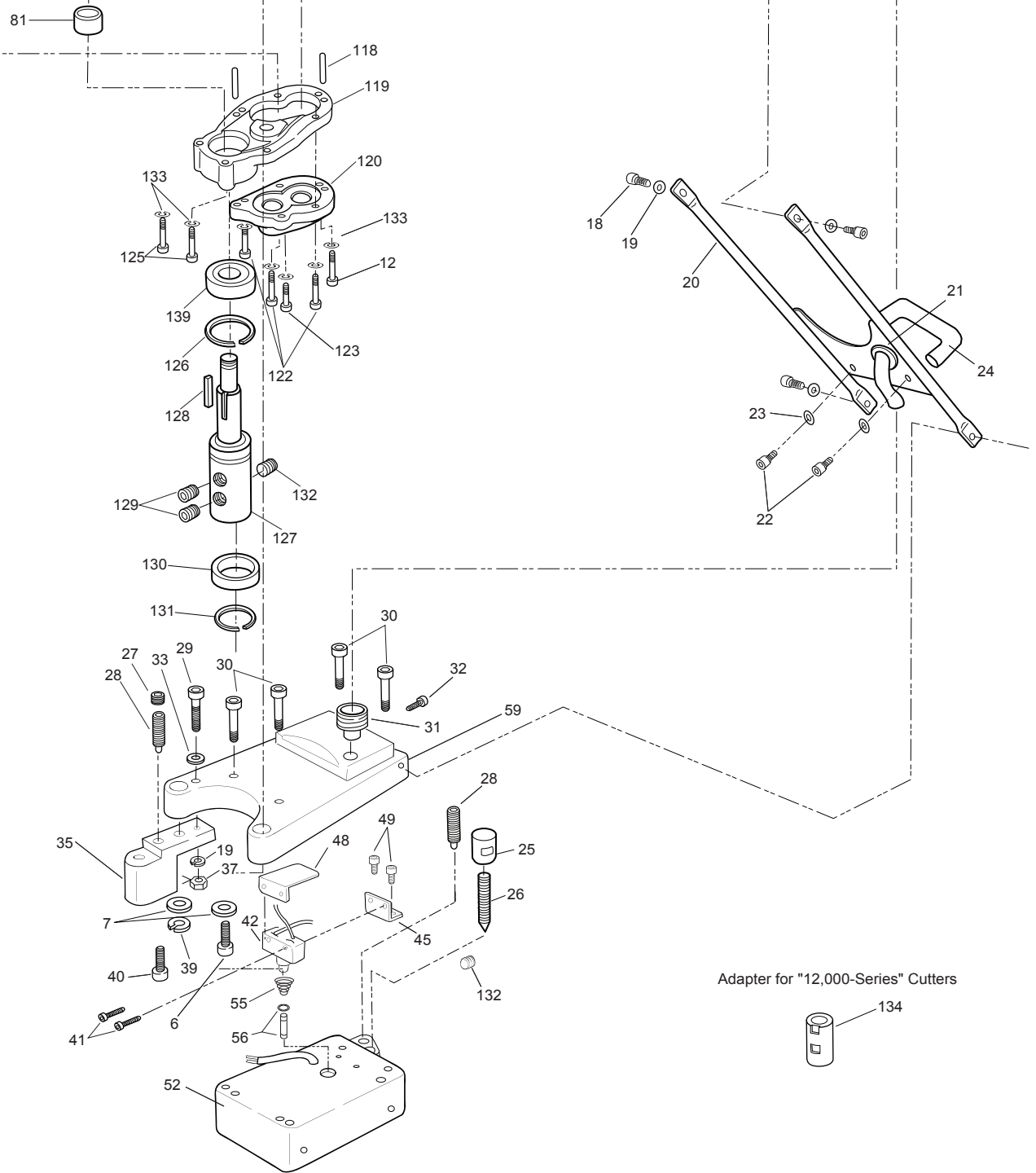
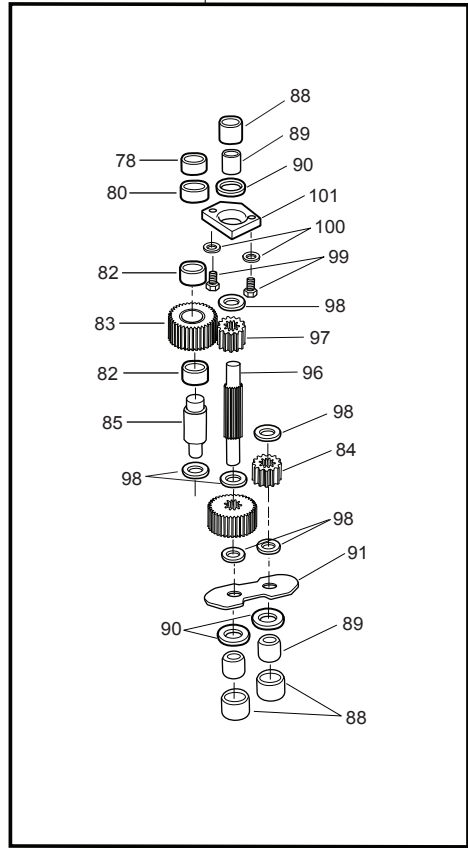


## 08146 Motor Assembly 120V 08196 Motor Assembly 230V

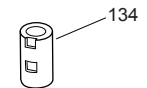
Item	Part #	Description	Qty	Item	Part #	Description	Qty
1	41048	SCR-SHC #10-32 x 1-1/2	4	20	07911	Assembly Gears #2 & #3	1
2	50038	Washer - Lock Helical #10	6	21	08278	Gear Box Cover	1
3	07860	Retaining Ring	1	22	24093	Washer - Spring	1
4	40274	Bearing 25MM x 47MM x 12MM	1	23	08276	Armature Assembly - 120V	1
5	08069	SCR-SHSLD 3/16 x 7/8	1		08277	Armature Assembly - 230V	1
6	07908	Switch	1	24	07895	SCR-SHC #10-32 x 3-1/2 LG	2
7	07910	Spring-Comp	1	25	07892	Baffle	1
8	07826	Gear Box Housing	1	26	07891	Field - 120V	1
9	08131	Spindle- Motor Drive	1		08040	Field - 230V	1
10	07904	Key	1	27	08280	Motor Brush Holder Assembly	1
11	07900	Gear Spur Removable	1	28	07876	Specs Label - 120V	1
12	24160	Retaining Ring	1		08038	Specs Label - 230V	1
13	24100	Ball Bearing	3	29	08194	Motor Label	1
14	07899	Gear Spur Removable	1	30	24044	Brush Holder Cap	2
15	07905	Key	1	31	24045	Carbon Brushes	2
16	07868	Shift Control Rod Arm	1	32	08086	Strain Relief	1
17	07914	Assembly, Change gear	1	33	07848	Cover, Brush Access	1
18	17610	Washer - Flat 8MM	2	34	02385	SCR-BHC #6-32 x 1/4	4
19	07903	Needle Bearing	2	35	10538	Washer - Lock	1

# HMD933 Exploded View





Adapter for "12,000-Series" Cutters



## HMD933 PARTS BREAKDOWN

No.	Part #	Description	Qty
	<b>40126</b>	Bottle Assembly	1
1	<b>40126</b>	Cap (Must buy Bottle Assy)	1
2	<b>40123</b>	Hold Down Fitting	1
3	<b>40058</b>	Washer	1
4	<b>40121</b>	Bottle	1
5	<b>40126</b>	Block (Must buy Bottle Assy)	1
5a	<b>40125</b>	Drip Tube	1
6	<b>40070</b>	SHCS 1/2-13 x 1	3
7	<b>40069</b>	Washer 1/2	4
8	<b>40126</b>	Adjustment Needle	1
9	<b>40124</b>	O-Ring	1
10	<b>90071</b>	Screw 1/4-20 x 1/4	2
11	<b>40062</b>	Tie Bar	1
12	<b>40108</b>	SHCS 1/4-20 x 1-1/4	3
13	<b>40067</b>	Feed Rod	2
14	<b>40052</b>	Hex Nut 7/16-14	1
15	<b>40105</b>	Knurled Nut 7/16	1
16	<b>40113</b>	Ejector Rod	1
17	<b>40114</b>	Ejector Rod Point	1
18	<b>40558</b>	SHCS 5/16-18 x 3/4	4
19	<b>40107</b>	Lock Washer 5/16	4
20	<b>40086</b>	Strut Assy	1
21	<b>40117</b>	Grommet	1
27	<b>40141</b>	SCR-SOC Set 5/8-11 x 1/2	1
28	<b>10644</b>	Spring Plunger	2
29	<b>40183</b>	SCR-SHC 5/16-18 x 2-1/4	1
30	<b>40143</b>	SCR-SHC 5/16-18 x 1-1/2	4
31	<b>08231</b>	Strain Relief	3
32	<b>10977</b>	SCR-BHC 1/4-20 x 1/4	1
33	<b>40074</b>	Washer 5/16 Flat	1
37	<b>40184</b>	Nut 5/16-18 UNC	1
39	<b>40110</b>	Washer Lock 1/2 Hel	4
40	<b>40111</b>	SCR-SHC 1/2-13 x 1-1/2	1
41	<b>10972</b>	SCR-BHC #6-32	2
42	<b>40130</b>	Safety Switch Assy	1
45	<b>04909</b>	Bracket-Safety Switch	1
48	<b>10983</b>	Shield-Safety Switch	1

No.	Part #	Description	Qty
49	<b>10971</b>	SCR-SHC 1/4-20 x 1/2	1
51	<b>90497</b>	SCR-SS 1/4-20 x 3/8 BR	2
52	<b>05329</b>	Magnet 230V	1
	<b>05325</b>	Magnet 115V	1
55	<b>17271</b>	Spring	1
56	<b>04961</b>	Plunger Assy	1
59	<b>40139</b>	Base Plate	1
61	<b>10626</b>	Seal 7/8	5
62	<b>40065</b>	Bushing 7/8	4
63	<b>40001</b>	Main Housing	1
64	<b>40071</b>	SCR-SHC 1/4-28 x 7/8	4
66	<b>40044</b>	Retaining Ring	1
67	<b>40032</b>	Washer 9/6 x 1-3/8	2
68	<b>40116</b>	Gear Spur 16 teeth	2
69	<b>40045</b>	Key	2
70	<b>40048</b>	Bushing 9/16	1
71	<b>40032</b>	Bushing 7/16	1
72	<b>40092</b>	Retaining Ring	1
73	<b>40112</b>	Thrust Washer	2
75	<b>40090</b>	Bearing 7/8	1
76	<b>40061</b>	Handle Assy	1
78	<b>40035</b>	Bushing	1
79	<b>40091</b>	Washer 7/8	1
80	<b>40026</b>	Gear Spindle 36 Teeth	1
81	<b>40118</b>	Spacer - Spindle	1
82	<b>40033</b>	Bearing 3/4	1
83	<b>40021</b>	Gear Idler 32 Teeth	1
84	<b>40012</b>	Change Gear 18 Teeth	1
	<b>40016</b>	Change Gear 30 Teeth	1
85	<b>40018</b>	Idler Shaft	1
88	<b>40008</b>	Bearing	3
89	<b>40009</b>	Bearing	3
90	<b>40007</b>	Seal 3/4 x 1	3
91	<b>40006</b>	Retaining Ring Lower	1
94	<b>10681</b>	Grease Fitting	2
95	<b>40002</b>	Washer Altered	2
96	<b>40039</b>	Shaft-Spline	1

## HMD933 PARTS BREAKDOWN

No.	Part #	Description	Qty
97	40010	Driven Gear 16 Teeth	1
98	40020	Thrust Washer	4
99	40038	SHCS 10-32 x 5/8	2
100	10560	Washer #10	2
101	40037	Upper Retaining Ring	1
104	08152	Electrical Box	1
105	08146	120V Motor	1
	08196	230V Motor	1
106	10766	Circuit Breaker 15A - 120V	1
	10785	Circuit Breaker 8A - 230V	1
107	10771	Grommet	1
108	40066	SCR-BHC 1/4-28	3
110	10796	Panel Assy - 120V	1
	04381	Panel Assy - 230V	1
111	10710	SCR- #6-32	2
112	08222	Power Cord 120V	1
	08226	Power Cord 230V	1
	08223	Power Cord 230V Type I	1
113	90264	Hub - Feed Shaft Assy	1
114	10569	Feed Handle	3
115	04532	Feed Handle Knob	3
116	08232	Cord	1

No.	Part #	Description	Qty
117	40127	O-Ring	1
118	40076	Dowel Pin 1/4	2
119	40003	Housing Spindle Bearing	1
120	40005	Lower Bearing Cap Assy	1
122	40078	SCR-SHC 1/4-20 x 1-1/2	3
123	40077	SCR-SHC 1/4-20 x 1	1
125	40129	SCR-SHC 1/4-20 x 2-1/4	2
126	40023	Retaining Ring	1
127	40031	Spindle	1
128	40025	Key 3/16	1
129	40042	SCR-SS 3/4-10 Alt	2
130	40636	Chip Guard	1
131	40635	Retaining Ring	1
132	10621	SCR-SS 1/4-20 x 1/4 BR	1
133	04721	Washer 1/4 Lock Washer	12
134	40040	Adapter	1
135	08206	Tag - Gear Chart	1
136	40104	#2 Drive Screw	4
137	17537	Label - Safety Instructions	1
138	08148	Label - 120V	1
139	40022	Bearing	1
140	08144	Bracket Electrical Box	1