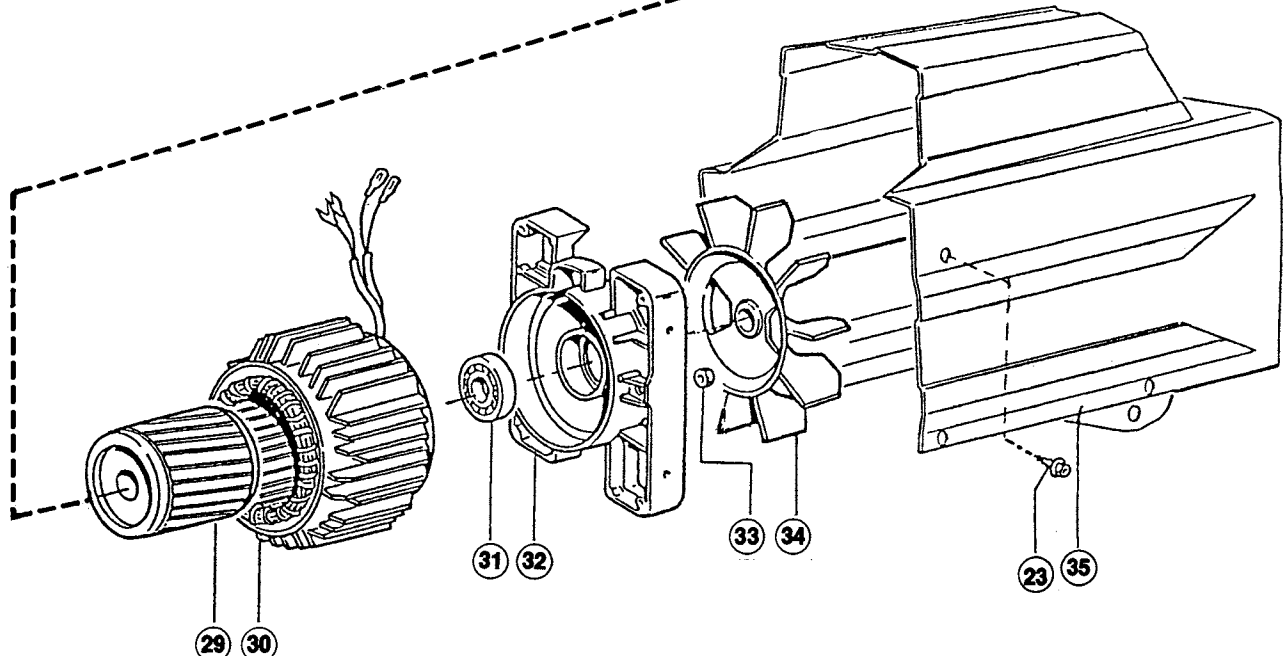
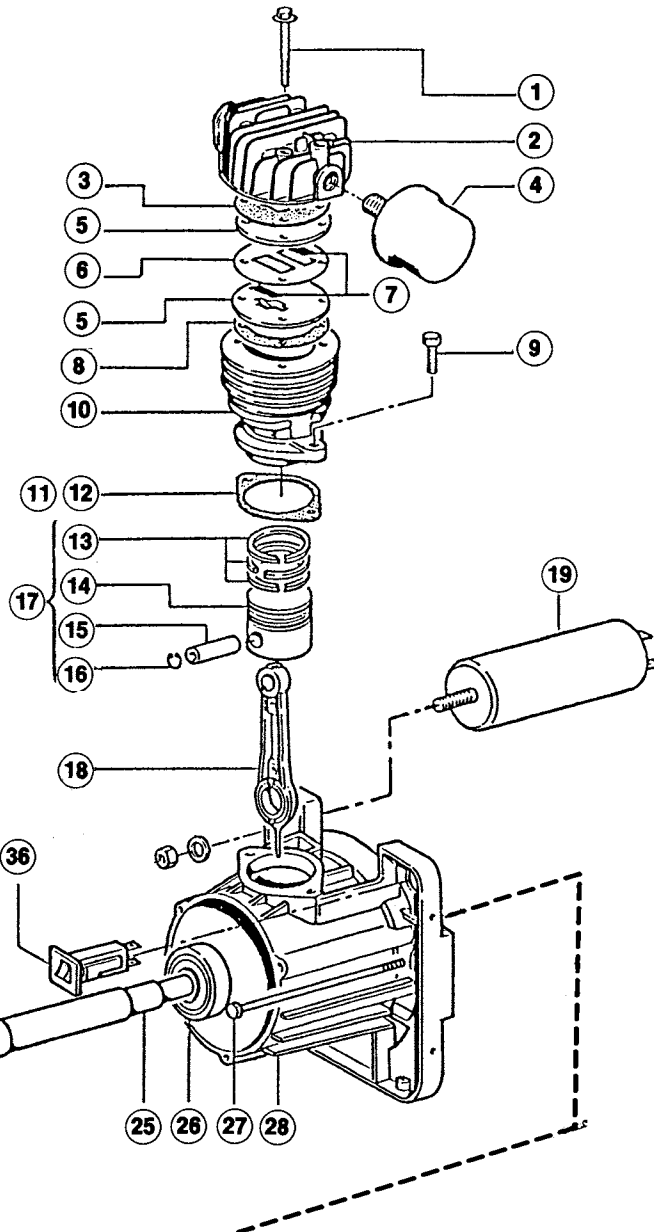
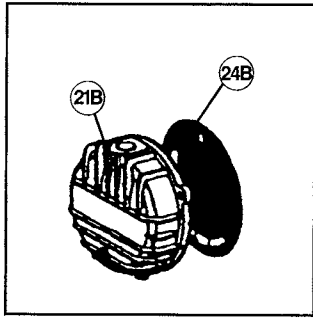




**SCHEMATIC FOR
PMP11MK100FI**





PARTS LIST FOR PMP11MK100FI

Schematic #	Description	Part #	Qty.
1	Bolt	014002021F	4
2	Head	116034010F	1
3	Gasket	116011037F	1
4	Intake Filter Assembly	317013000F	1
	Filter Element	317013004FE	1
5	Valve Plate	116011020F	2
6	Gasket	113113036F	1
7	Valve	113113005F	2
8	Gasket	113113034F	1
9	Bolt	MIS10049	2
10	Cylinder	116034006F	1
11	Gasket – if manufactured before 6/97	116022023F	1
12	O-Ring – if manufactured before 6/97	010114000F	1
13	Ring Set	216011003F	1
14	Piston	116011027F	1
15	Piston Pin	113113003F	1
16	Snap Ring	015001000F	2
17	Piston Assembly	416011027F	1
18	Connecting Rod	116091021F	1
19	Capacitor	009200026F	1
20	Dipstick	012036000F	1
21A	Crankcase Cover	116022006F	1
21B	Crankcase Cover*	N.L.A.	
22	Drain Plug	014013024F	1
23	Screw	014006121F	11
24A	O-Ring	010013000F	1
24B	Diaphragm	116001025F	1
25	Crankshaft	116034004F	1
26	Bearing	033018000F	1
27	Bolt	116011038F	2
28	Motor Housing	116022051F	1
29	Rotor	116034001F	1
30	Stator	416085641F	1
31	Bearing	033005000F	1
32	End Bell	116011002F	1
33	Nut	014003002F	2
34	Fan	116001003F	1
35	Shroud	119100070F	1
36	Manual Reset Button	008015000F	1
	Gasket Set	216085001F	1

*Use 116022006F cover and 116001025F diaphragm