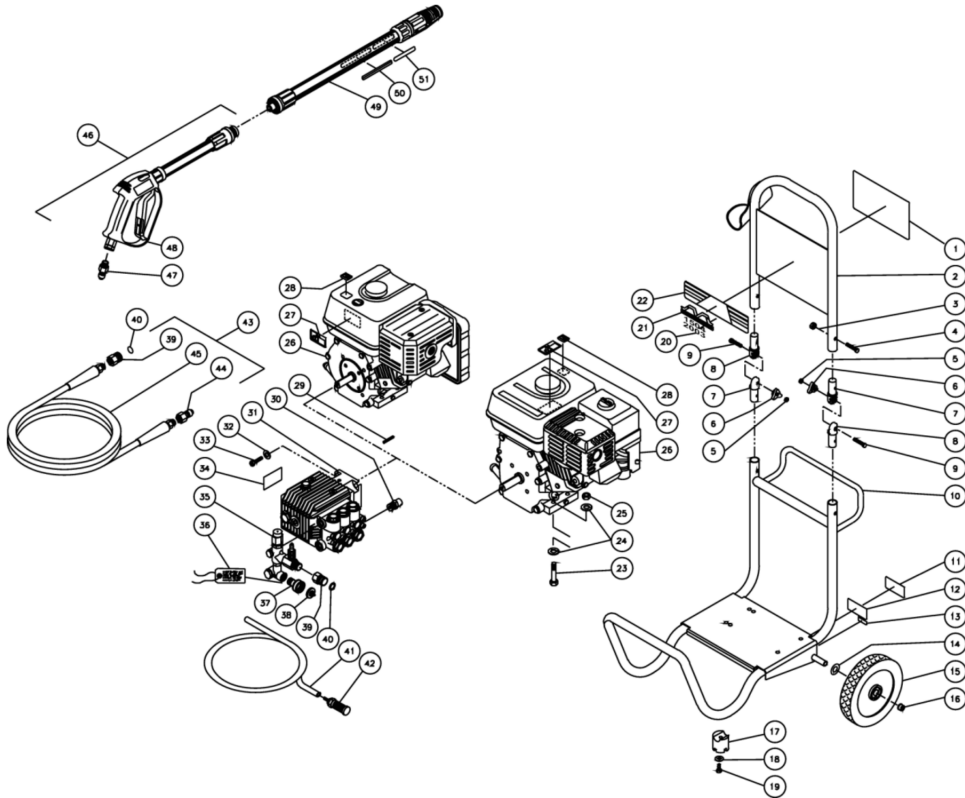




CD-2003-1MVC / CD-2003-1MVC (sn:0-312840)

FRAME ASSEMBLY



Id	Item #	Description	Quantity	Rev	Comments
1	34-0681	DECAL- WARNING/CAUTION/OPERATION	1		
2	7-0130A01	HANDLE	1		
3	30-0154	LOCKNUT	4		
4	27-0008	BOLT	4		
5	30-0155	LOCKNUT	2		
6	7-0115	KNOB	2		
7	33-0242	ADJUSTABLE KNUCKLE W/O HEX	2		
8	33-0241	ADJUSTABLE KNUCKLE W/ HEX	2		
9	27-0020	BOLT	2		
10	5-0114A01	FRAME	1		
11	N/A	DECAL- CLEAR LAMINATE	1		
12	N/A	DECAL- DATA PLATE	1		
13	N/A	DECAL- SERIAL NUMBER	1		

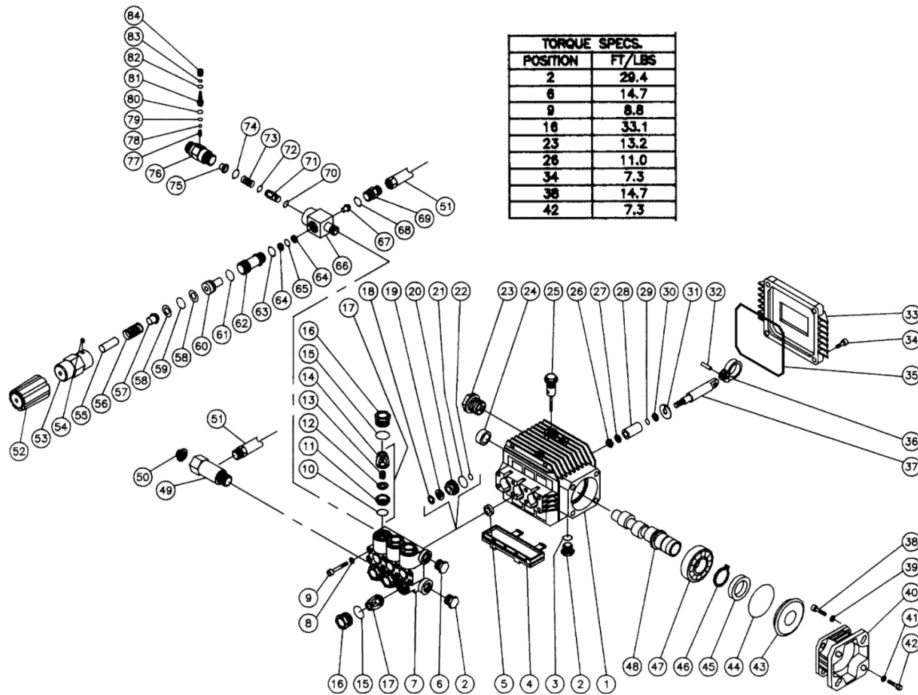
Id	Item #	Description	Quantity	Rev	Comments
14	28-0006	WASHER	2		
15	14-0052	WHEEL	2		
16	33-0055	HUB CAP	2		
17	14-0063	ISOLATOR	2		
18	28-0021	WASHER	2		
19	27-3096	SCREW	2		
20	34-0048	DECAL- 1504 DIE CUT	1		
20	34-0522	DECAL- 2003 DIE CUT	1		
21	62-0086	MI-T-M LOGO	1		
22	34-0683	DECAL- MI-T-M STRIPE	1		
23	27-0070	BOLT	4		
24	28-0003	WASHER	8		
25	30-0157	LOCKNUT	4		
26	1-0013	ENGINE- 5.5 H.P. HONDA	1		
26	1-0069	ENGINE- 6.0 H.P. VANGUARD	1		
27	34-0130	DECAL- WARNING: MUFFLER HOT	1		
28	34-0588	DECAL- CAUTION: ALLOW TO COOL	1		
29	43-0073	KEY	1		
30	22-0114	HEAT DUMP VALVE	1		
31	3-0092	PUMP (CD-1504)	1		
31	3-0090	PUMP (CD-2003)	1		
32	29-0155	LOCKWASER	4		
33	27-0846	BOLT W/ PUMP	4		
34	34-0437	DECAL- IMPORTANT INSTRUCTIONS	1		
35	8-0494	UNLOADER	1		
36	34-0097	TAG- WATER INLET SUPPLY	1		
37	23-0096	GARDEN HOSE SWIVEL	1		
38	19-0001	FILTER	1		
39	17-0004	QUICK CONNECT SOCKET	2		
40	25-0123	O-RING (REPLACEMENT)	-		
41	15-0021	DETERGENT HOSE *(FOUR FEET REQUIRED)	1		
42	19-0050	DETERGENT STRAINER	1		
43	851-0007	PRESSURE HOSE ASSEMBLY (INC. 39, 44, 45)	1		
44	17-0006	QUICK CONNECT PLUG	1		
45	15-0003	PRESSURE HOSE	1		
46	851-0199	GUN/WAND ASSEMBLY (INC. 47, 48)	1		
47	17-0005	QUICK CONNECT PLUG	1		
48	16-0167	GUN ASSEMBLY	1		
49	16-0172	VARIABLE NOZZLE- 1.30MM	1		

Id	Item #	Description	Quantity	Rev	Comments
50	34-0572	DECAL- WARNING: RISK OF INJECTION	1		
51	34-0457	DECAL- ADJUSTABLE NOZZLE	1		
		*MUST ORDER IN ONE FOOT LENGTHS			



CD-2003-1MVC / CD-2003-1MVC (sn:0-312840)

OLD PUMP ASSEMBLY



Id	Item #	Description	Quantity	Rev	Comments
1	46-0221	CRANKCASE	1		
2	39-0018	HEX PLUG	1		
3	25-0052	O-RING	1		
4	46-0229	DRIP PAN	1		
5	26-0111	OIL SEAL	3		
6	39-0017	HEX PLUG	1		
7	46-0163	MANIFOLD- BRASS	1		
8	29-0153	LOCKWASHER	8		
9	27-8406	BOLT	8		
10	N/A Sep.	O-RING (SEE 70-0009)	6		
11	N/A SEP.	VALVE SEAT (SEE 70-0009)	6		
12	N/A SEP.	VALVE PLATE (SEE 70-0009)	6		

Id	Item #	Description	Quantity	Rev	Comments
13	N/A Sep.	VALVE SPRING (SEE 70-0009)	6		
14	N/A SEP.	VALVE CAGE (SEE 70-0009)	6		
15	25-0012	O-RING	6		
16	39-0035	VALVE PLUG	6		
17	N/A SEP.	VALVE ASSEMBLY (SEE 70-0009)	6		
18	N/A Sep.	HEAD RING (SEE 70-0009)	6		
19	N/A Sep.	V-PACKING (SEE 70-0009)	6		
20	46-0158	V-PACKING RETAINER	3		
21	25-0141	O-RING	3		
22	25-0128	O-RING	1		
23	46-0114	OIL LEVEL INDICATOR	1		
24	48-0019	NEEDLE BEARING	1		
25	46-0143	OIL DIPSTICK	1		
26	46-0168	NUT	3		
27	46-0166	WASHER	3		
28	46-0148	PLUNGER	3		
29	25-0045	O-RING	3		
30	25-0143	BACK-UP RING	3		
31	46-0167	WASHER	3		
32	43-0044	PISTON CONNECTING ROD PIN	3		
33	46-0151	CRANKCASE COVER	1		
34	27-8409	BOLT	4		
35	25-0332	O-RING	1		
36	46-0152	CONNECTING ROD	3		
37	46-0149	PISTON GUIDE	3		
38	27-0846	BOLT	4		
39	29-0154	LOCKWASHER	4		
40	38-0021	FLANGE	1		
41	29-0153	LOCKWASHER	4		
42	27-8409	BOLT	4		
43	46-0087	SPACER	1		
44	25-0060	O-RING	1		
45	26-0126	OIL SEAL	1		
46	46-0245	SNAP RING	1		
47	48-0024	BEARING	1		
48	46-0329	CRANKSHAFT (CD-1504)	1		

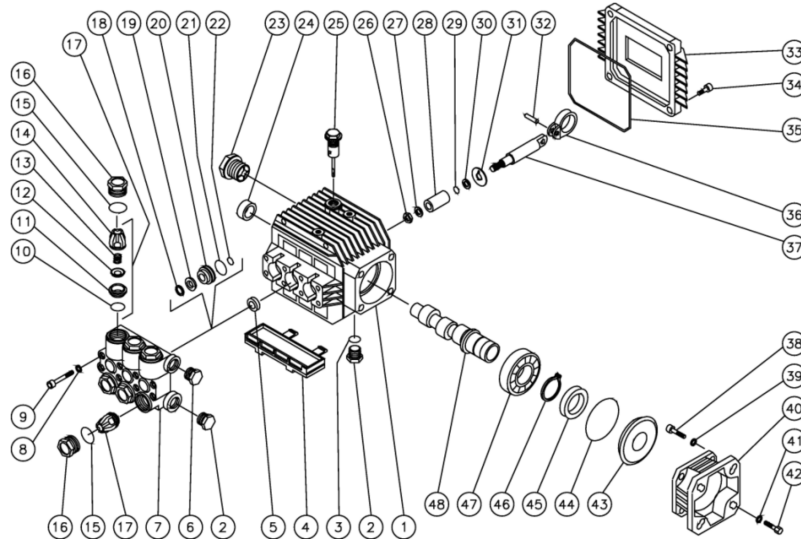
Id	Item #	Description	Quantity	Rev	Comments
48	46-0233	CRANKSHAFT (CD-2003)	1		
49	23-0148	INLET FITTING	1		
50	19-0001	FILTER	1		
51	15-0094	BY-PASS HOSE	1		
52	7-0096	PLASTIC ADJUSTABLE KNOB	1		
53	7-0081	ADJUSTABLE KNOB (CD-1504)	1		
53	7-0109	ADJUSTABLE KNOB (CD-2003)	1		
54	N/A Sep.	STOP ADJUSTING KNOB (SEE 70-0109 OR 70-011)	1		
55	8-0386	SPRING GUIDE	1		
56	49-0068	SPRING (CD-1504)	1		
56	49-0106	SPRING (CD-2003)	1		
57	8-0309	SPRING SEAT	1		
58	N/A Sep.	BACK-UP RING (SEE 70-0109 OR 70-0114)	2		
59	N/A Sep.	O-RING (SEE 70-0109 OR 70-0114)	1		
60	8-0315	PISTON	1		
61	N/A Sep.	O-RING (SEE 70-0109 OR 70-0114)	1		
62	23-0147	BARREL STEM RETAINER	1		
63	25-0211	O-RING	1		
64	N/A Sep.	BACK-UP RING (SEE 70-0109 OR 70-0114)	2		
65	N/A Sep.	O-RING (SEE 70-0109 OR 70-0114)	1		
66	8-0296	UNLOADER BODY	1		
67	N/A Sep.	BALL PISTON (SEE 70-0109 OR 70-0114)	1		
68	N/A Sep.	O-RING (SEE 70-0109 OR 70-0114)	1		
69	N/A Sep.	BY-PASS SEAT (SEE 70-0109 OR 70-0114)	1		
70	N/A Sep.	O-RING (SEE 852-0087)	1		
71	8-0300	BACKFLOW CHECK	1		
72	N/A Sep.	O-RING (SEE 852-0087)	1		
73	N/A Sep.	CHECK SPRING (SEE 852-0087)	1		
74	25-0216	O-RING	1		
75	50-0069	INJECTOR ORIFICE	1		
76	50-0071	INJECTOR	1		

Id	Item #	Description	Quantity	Rev	Comments
77	N/A Sep.	SPRING (SEE 852-0086)	1		
78	N/A Sep.	BALL (SEE 852-0086)	1		
79	N/A Sep.	O-RING (SEE 852-0086)	1		
80	N/A Sep.	O-RING (SEE 852-0086)	1		
81	50-0070	HOSE BARB	1		
82	25-0329	O-RING	1		
83	25-0328	O-RING	1		
84	8-0384	ADJUSTMENT KNOB	1		
KIT	70-0009	VALVE KIT (INC. 6 EACH 10-14)			
KIT	70-0024	V-PACKING KIT (INC. 3 EACH 18, 19, 21, 22)			
KIT	852-0087	UNLOADER CHECK VALVE KIT (INC. 70, 72, 73)			
KIT	70-0109	UNLOADER REPAIR KIT FOR 1500PSI (INC. 54, 56, 58, 59, 61, 64, 65, 67-69)			
KIT	70-0114	UNLOADER REPAIR KIT FOR 2000PSI (INC. 54, 56, 58, 59, 61, 64, 65, 67-69)			
KIT	50-0067	COMPLETE INJECTOR- 1500PSI			
KIT	50-0066	COMPLETE INJECTOR- 2000PSI			
KIT	852-0086	INJECTOR REPAIR KIT (INC. 77-80)			
KIT	70-0015	SEAL KIT (INC. 3 EACH 5)			
KIT	8-0314	COMPLETE UNLOADER- 1500PSI			
KIT	8-0385	COMPLETE UNLOADER- 2000PSI			



CD-2003-1MVC / CD-2003-1MVC (sn:0-312840)

NEW PUMP ASSEMBLY



TORQUE SPECS.	
POSITION	FT-LBS
2	29.4
6	14.7
9	8.8
16	33.1
23	13.2
26	11.0
34	7.3
38	14.7
42	7.3

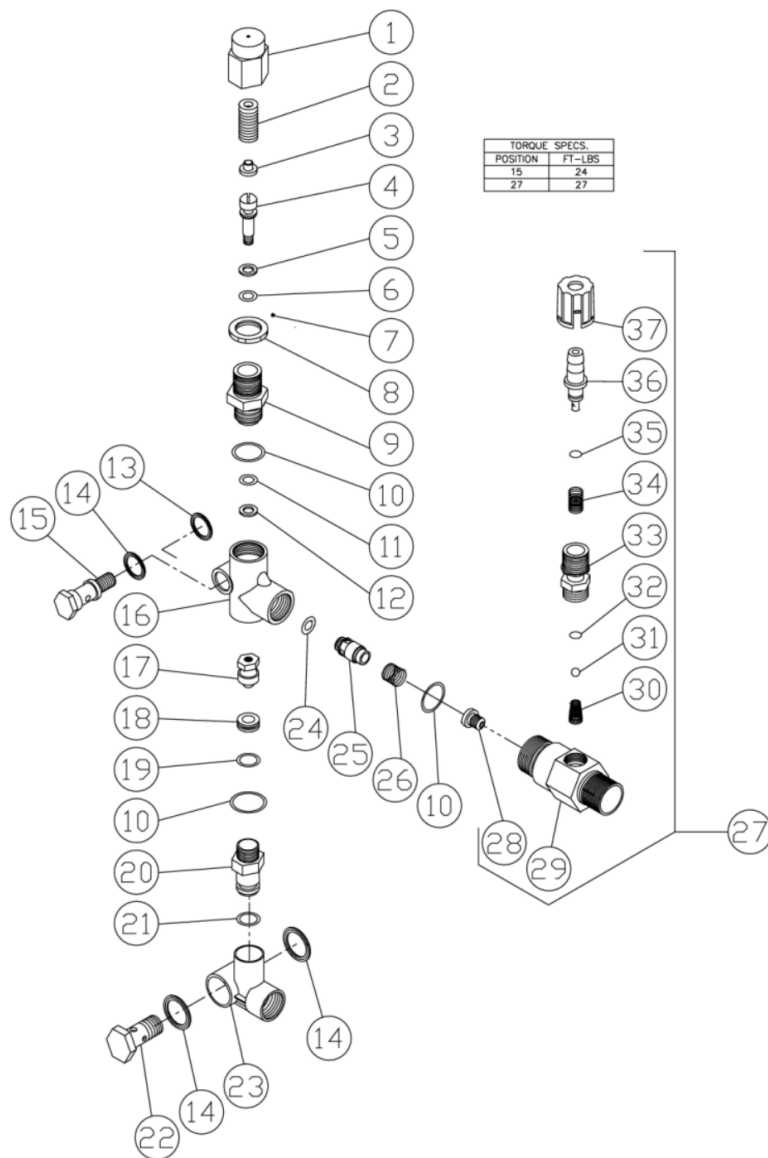
Id	Item #	Description	Quantity	Rev	Comments
1	46-0221	CRANKCASE	1		
2	39-0018	PLUG	2		
3	25-0052	O-RING	1		
4	46-0229	DRIP PAN	1		
5	26-0111	OIL SEAL	3		
6	39-0017	PLUG	1		
7	46-0163	MANIFOLD	1		
8	29-0153	LOCKWASHER	12		
9	27-8406	HEAD BOLT	8		
10	N/A Sep.	O-RING (SEE 70-0009)	6		
11	N/A SEP.	VALVE SEAT (SEE 70-0009)	6		
12	N/A SEP.	VALVE PLATE (SEE 70-0009)	6		
13	N/A Sep.	VALVE SPRING (SEE 70-0009)	6		
14	N/A SEP.	VALVE CAGE (SEE 70-0009)	6		
15	25-0012	O-RING	6		
16	39-0035	VALVE CAP	6		
17	N/A Sep.	VALVE ASSEMBLY (INCLUDES 10-14) (SEE 70-0009)	6		
18	N/A Sep.	HEAD RING (SEE 70-0024)	3		

Id	Item #	Description	Quantity	Rev	Comments
19	N/A Sep.	V-PACKING (SEE 70-0024)	3		
20	46-0158	V-PACKING RETAINER	3		
21	25-0141	O-RING	3		
22	25-0128	O-RING	3		
23	46-0114	OIL LEVEL INDICATOR	1		
24	48-0019	BEARING	1		
25	46-0143	OIL DIP STICK	1		
26	46-0168	NUT	3		
27	46-0166	WASHER	3		
28	46-0148	PLUNGER	3		
29	25-0045	O-RING	3		
30	25-0143	BACK-UP RING	3		
31	46-0167	WASHER	3		
32	43-0044	CONNECTING ROD	3		
33	46-0151	CRANKCASE COVER	1		
34	27-8409	BOLT	4		
35	25-0332	O-RING COVER	1		
36	46-0152	CONNECTING ROD	3		
37	46-0149	PISTON GUIDE	3		
38	27-0846	BOLT	4		
39	29-0154	LOCKWASHER	4		
40	38-0021	FLANGE	1		
41	29-0153	LOCKWASHER	4		
42	27-8409	BOLT	4		
43	46-0087	SPACER	1		
44	25-0060	O-RING	1		
45	26-0126	OIL SEAL	1		
46	46-0245	SNAP RING	1		
47	48-0024	BEARING	1		
48	46-0233	CRANKSHAFT	1		
KIT	70-0009	VALVE KIT (INCLUDES 10-14, 17)			
KIT	70-0024	V-PACKING KIT (INCLUDES 18-19, 21-22)			
KIT	70-0023	V-PACKING ASSEMBLY (18-22)			



CD-2003-1MVC / CD-2003-1MVC (sn:0-312840)

UNLOADER ASSEMBLY



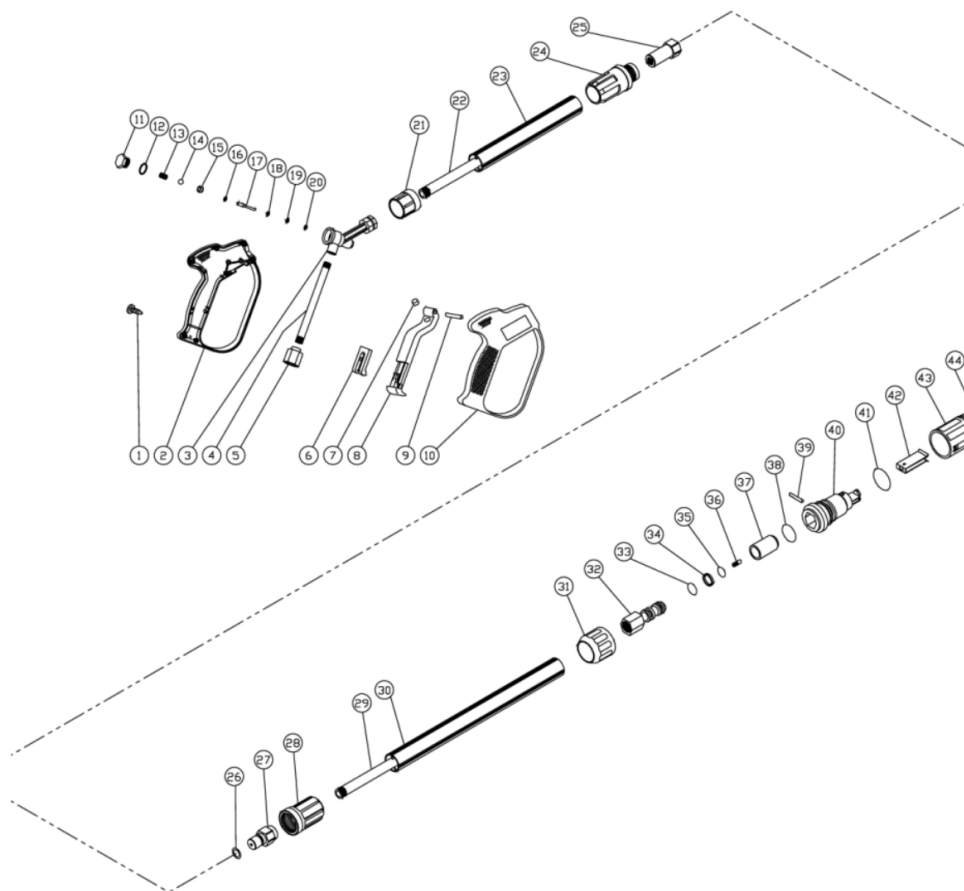
Id	Item #	Description	Quantity	Rev	Comments
1	39-00092	ADJUSTING CAP	1		
2	49-0120	SPRING	1		
3	8-0421	SPRING RETAINER	1		
4	46-0324	PISTON STEM	1		

Id	Item #	Description	Quantity	Rev	Comments
5	25-0206	BACK-UP RING	1		
6	N/A Sep.	O-RING (SEE 70-0168)	1		
7	8-0479	SET SCRW	1		
8	46-0651	LOCKNUT	1		
9	8-0424	PISTORN RETAINER	1		
10	N/A Sep.	O-RING (SEE 70-0168)	3		
11	N/A Sep.	O-RING (SEE 70-0168)	1		
12	25-0203	BACK-UP RING	1		
13	8-0433	WASHER	1		
14	8-0427	WASHER	3		
15	23-0286	CONNECTOR	1		
16	N/A SEP.	BODY	1		
17	46-0320	VALVE AND BALL ASSEMBLY	1		
18	8-0430	BYPASS SEAT	1		
19	25-0202	O-RING	1		
20	N/A SEP.	BYPASS FILTER	1		
21	25-0376	O-RING	1		
22	23-0285	CONNECTOR	1		
23	N/A SEP.	BYPASS FITTING	1		
24	25-0375	O-RING	1		
25	8-0426	FLOW BALANCER	1		
26	49-0121	SPRING	1		
27	46-0590	DETERGENT INJECTOR (INC. 28-37)	1		
28	50-0132	ORFICE 2.1 MM	1		
29	N/A SEP.	INJECTOR BODY (SEE 46-0752)	1		
30	N/A SEP.	SPRING	1		
31	N/A Sep.	BALL (SEE 852-0056)	1		
32	N/A Sep.	O-RING (SEE 852-0056)	1		
33	N/A SEP.	PISTON RETAINER (SEE 852-0056)	1		
34	49-0056	SPRING	1		
35	N/A Sep.	O-RING (SEE 852-0056)	1		
36	50-0157	SHUTTER BARB	1		
37	50-0158	ADJUSTING KNOB	1		
KIT	70-0168	UNLOADER REPAIR KIT (INC 4-6, 10-12, 17-19, 21)			
KIT	852-0056	REPAIR KIT (INC. 30-32, 35)			



CD-2003-1MVC / CD-2003-1MVC (sn:0-312840)

GUN AND LANCE ASSEMBLY



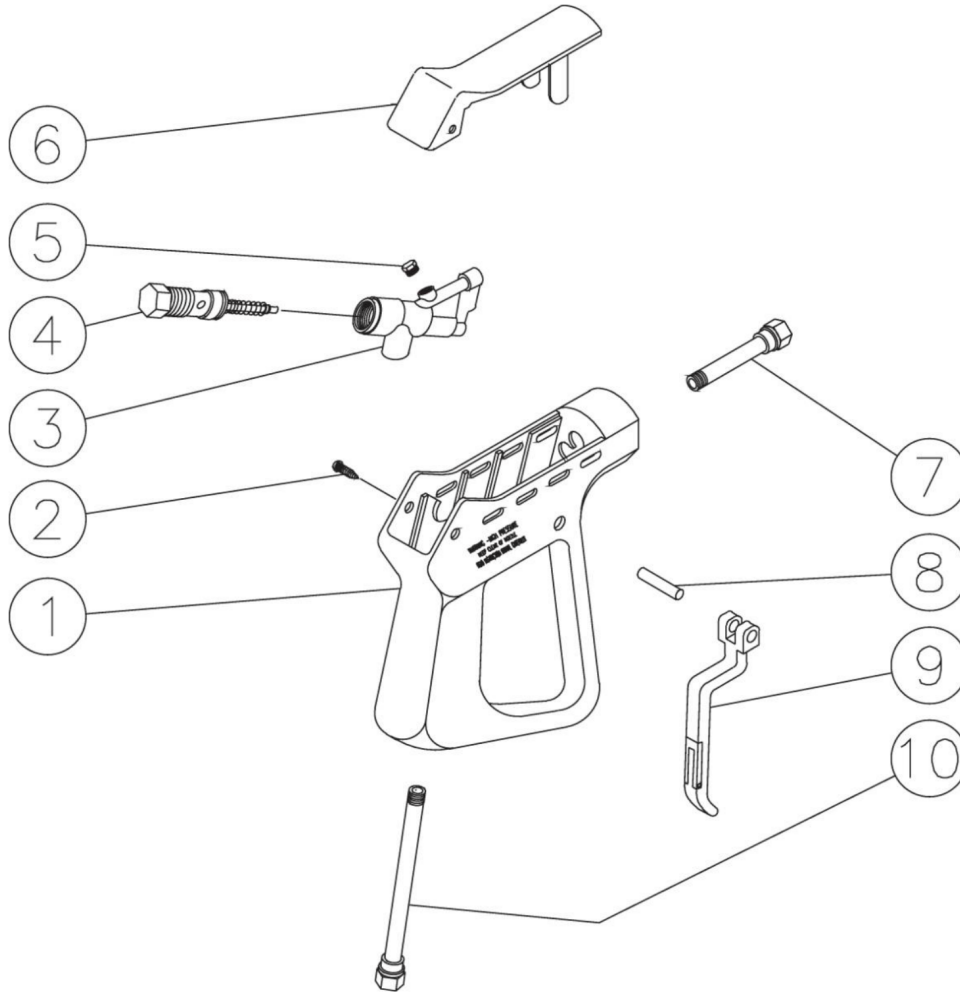
Id	Item #	Description	Quantity	Rev	Comments
1	27-8382	SCREW	7		
2	16-0189	PLASTIC HOUSING (LEFT SIDE)	1		
3	23-0183	HOUSING-BRASS	1		
4	21-0095	PIPE	1		

Id	Item #	Description	Quantity	Rev	Comments
5	23-0174	COUPLER	1		
6	16-0188	TRIGGER SAFETY LOCK	1		
7	16-0186	TRIGGER REST	1		
8	16-0187	TRIGGER	1		
9	43-0069	TRIGGER PIN	1		
10	16-0185	PLASTIC HOUSING WITH WARNING (RIGHT SIDE)	1		
11	N/A Sep.	PLUG (SEE KIT 70-0057)	1		
12	N/A Sep.	O-RING (SEE KIT 70-0057)	1		
13	N/A Sep.	SPRING (SEE KIT 70-0057)	1		
14	N/A Sep.	BALL (SEE KIT 70-0057)	1		
15	N/A Sep.	SEAT (SEE KIT 70-0057)	1		
16	N/A Sep.	O-RING (SEE KIT 70-0057)	1		
17	N/A Sep.	PIN (SEE KIT 70-0057)	1		
18	N/A Sep.	WASHER (SEE KIT 70-0057)	1		
19	N/A Sep.	O-RING (SEE KIT 70-0057)	1		
20	N/A Sep.	BACK-UP RING (SEE KIT 70-0057)	1		
21	16-0182	GUN/WAND CONNECTOR	1		
22	21-0089	PIPE	1		
23	62-0063	WAND PROTECTOR	1		
24	16-0181	PLASTIC SCREW CONNECTOR-MALE	1		
25	17-0031	QUICK CONNECT-FEMALE	1		
26	25-0259	O-RING	1		
27	17-0032	QUICK CONNECT-MALE	1		
28	16-0183	PLASTIC SCREW CONNECTOR-FEMALE	1		
29	16-0322	PIPE	1		
30	16-0323	WAND PROTECTOR	1		
31	N/A	BODY	1		
32	25-0354	O-RING	1		
33	N/A	NOZZLE COVER	1		
34	25-0355	O-RING	1		
35	N/A	NOZZLE HOLDER	1		
KIT	16-0167	GUN W/SCREW LANCE (INCLUDES ITEMS 1-25)			
KIT	70-0057	GUN REPAIR KIT (INCLUDES ITEMS 11-20)			
KIT	16-0310	LANCE ASSEMBLY COMPLETE (INC. 26-30)			
KIT	16-0305	HIGH/LOW ADJ. NOZZLE (INCLUDES 31-35)			
KIT	851-0267	LANCE/NOZZLE ASSEMBLY (INCLUDES 26-35)			



CD-2003-1MVC / CD-2003-1MVC (sn:0-312840)

GUN ASSEMBLY



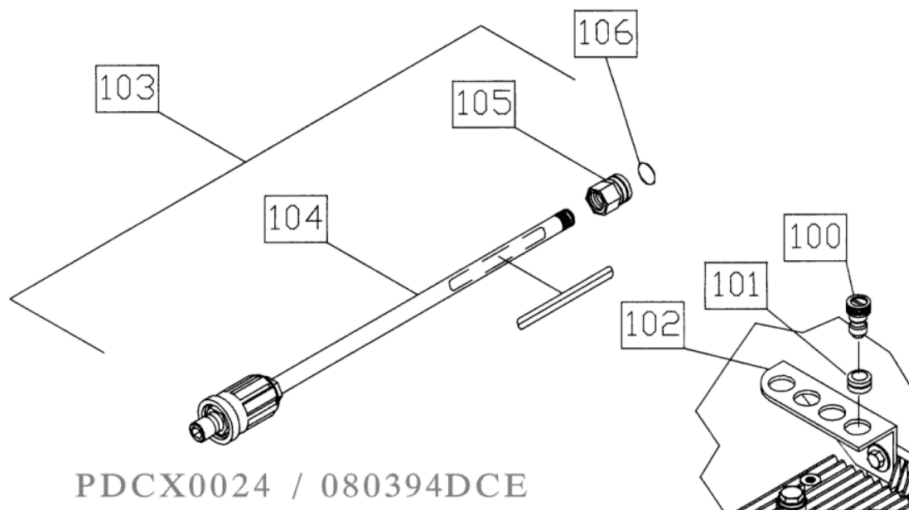
Id	Item #	Description	Quantity	Rev	Comments
1	16-0008	PLASTIC HOUSING	1		
2	27-3230	SCREW	2		
3	16-0012	BRASS HOUSING	1		
4	70-0055	GUN REPAIR KIT	1		
5	39-0024	BRASS PLUG	1		
6	16-0009	PLASTIC COVER	1		
7	16-0013	PIPE ASSEMBLY	1		
8	16-0063	TRIGGER PIN	1		
9	16-0010	TRIGGER/SAFETY LOCK-OFF	1		

Id	Item #	Description	Quantity	Rev	Comments
10	16-0016	PIPE ASSEMBLY- INLET	1		
	16-0001	COMPLETE GUN ASSEMBLY	1		



CD-2003-1MVC / CD-2003-1MVC (sn:0-312840)

CX-0024



Id	Item #	Description	Quantity	Rev	Comments
100	18-0035	SPRAY NOZZLE-00055	1		
100	18-0041	SPRAY NOZZLE-15055	1		
100	18-0062	SPRAY NOZZLE-25055	1		
100	18-0148	SPRAY NOZZLE-6540	1		

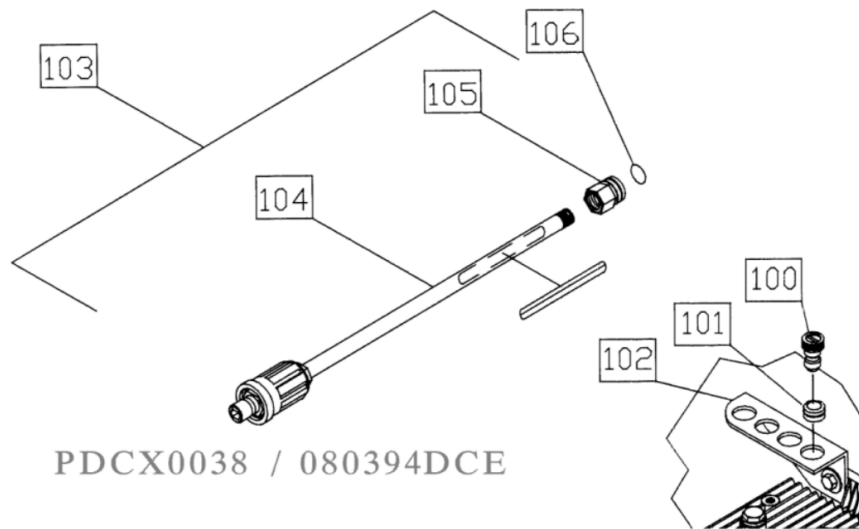
Id	Item #	Description	Quantity	Rev	Comments
101	33-0001	GROMMET	4		
102	13-0096	NOZZLE HOLDER BRACKET	1		
103	851-0202	LANCE ASSEMBLY	1		
104	16-0176	EXTENTION WAND	1		
105	17-0001	QUICK CONNECT SOCKET-1/4"	1		
106	25-0122	O-RING	2		

*THESE PARTS AVAILABLE SEPARATELY OR AS PART OF 851-0202



CD-2003-1MVC / CD-2003-1MVC (sn:0-312840)

CX-0038



Id	Item #	Description	Quantity	Rev	Comments
100	18-0257	SPRAY NOZZLE-00035	1		
100	18-0258	SPRAY NOZZLE-15035	1		
100	18-0259	SPRAY NOZZLE-25035	1		
100	18-0148	SPRAY NOZZLE-6540	1		

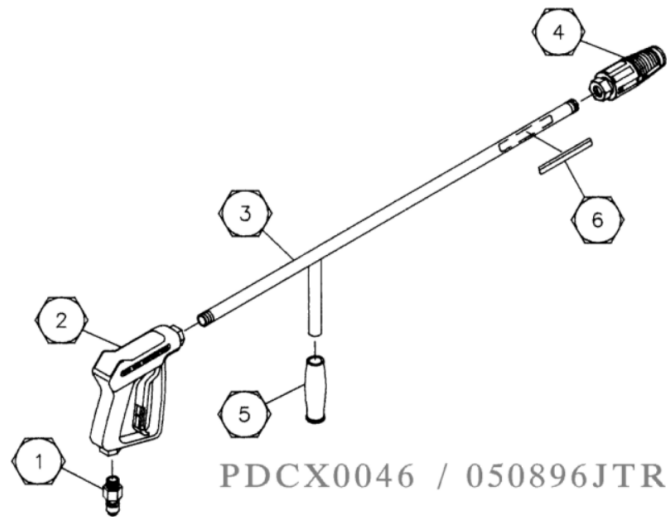
Id	Item #	Description	Quantity	Rev	Comments
101	33-0001	GROMMET	4		
102	13-0096	NOZZLE HOLDER BRACKET	1		
103	851-0202	LANCE ASSEMBLY	1		
104	16-0176	EXTENTION WAND	1		
105	17-0001	QUICK CONNECT SOCKET-1/4"	1		
106	25-0122	O-RING	2		

*THESE PARTS AVAILABLE SEPARATELY OR AS PART OF 851-0202



CD-2003-1MVC / CD-2003-1MVC (sn:0-312840)

CX-0046 & CX-0047



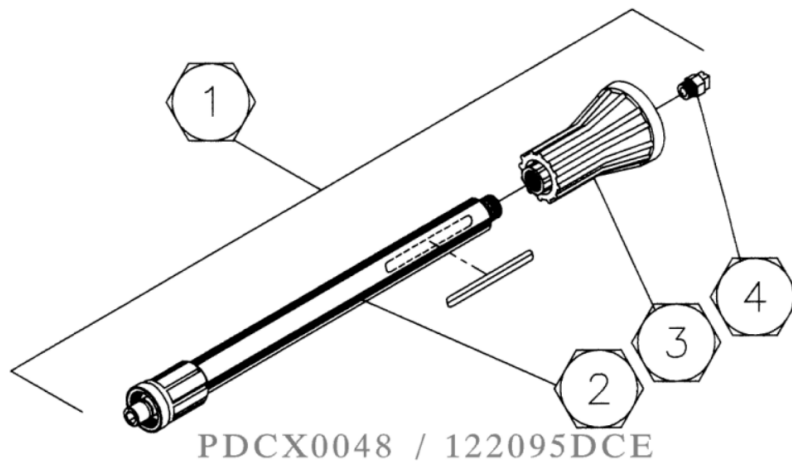
Id	Item #	Description	Quantity	Rev	Comments
1	17-0005	QUICK CONNECT PLUG-3/8"	1		
2	16-0001	GUN ASSEMBLY	1		
3	16-0120	WAND WITH 36" HANDLE	1		
4	18-0280	VARIABLE NOZZLE-1.65MM (CD-1504)(CX-46)	1		

Id	Item #	Description	Quantity	Rev	Comments
4	18-0276	VARIABLE NOZZLE-1.30MM (CD-2003)(CX-47)	1		
5	7-0002	GRIP HANDLE	1		
6	34-0572	DECAL-WARNING: RISK OF INJECTION	1		



CD-2003-1MVC / CD-2003-1MVC (sn:0-312840)

CX-0048 & CX-0049



Id	Item #	Description	Quantity	Rev	Comments
1	851-0267	ASSEMBLY LANCE	1		
2	16-0310	LANCE	1		
3	16-0305	ADJUSTING NOZZLE CONE	1		
4	18-0011	SPRAY NOZZLE-15055 (CD-1504)(CX-48)	1		

Id	Item #	Description	Quantity	Rev	Comments
4	18-0254	SPRAY NOZZLE-15035 (CD-2003)(CX-49)	1		