

DIAMOND
PRODUCTS

CONCRETE SAW
PARTS LIST

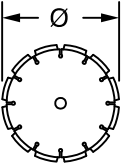
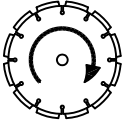


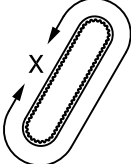
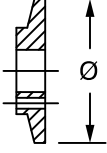
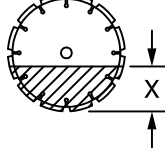
MODEL
CC4144-3XL

(3-Speed)

June 2012

Part #1801696

CC4144-3XL RPM CHART

BLADE SIZE	BLADE RPM	GEARBOX RANGE	ENGINE RPM	BELT SIZE	FLANGE SIZE	MAX CUT DEPTH
14"	3,150	H	3,050	3VX366	6"	3-3/4"
20"	2,700	H	2,625	3VX366	6"	6-3/4"
26"	2,100	M	3,050	3VX366	6"	9-3/4"
30"	1,800	M	2,625	3VX366	6"	11-3/4"
36"	1,400	L	3,050	3VX366	6"	14-3/4"
						

WARNING

**The engine exhaust from this product
 Contains chemicals known to the
 State of California to cause cancer,
 Birth defects or other reproductive harm.**



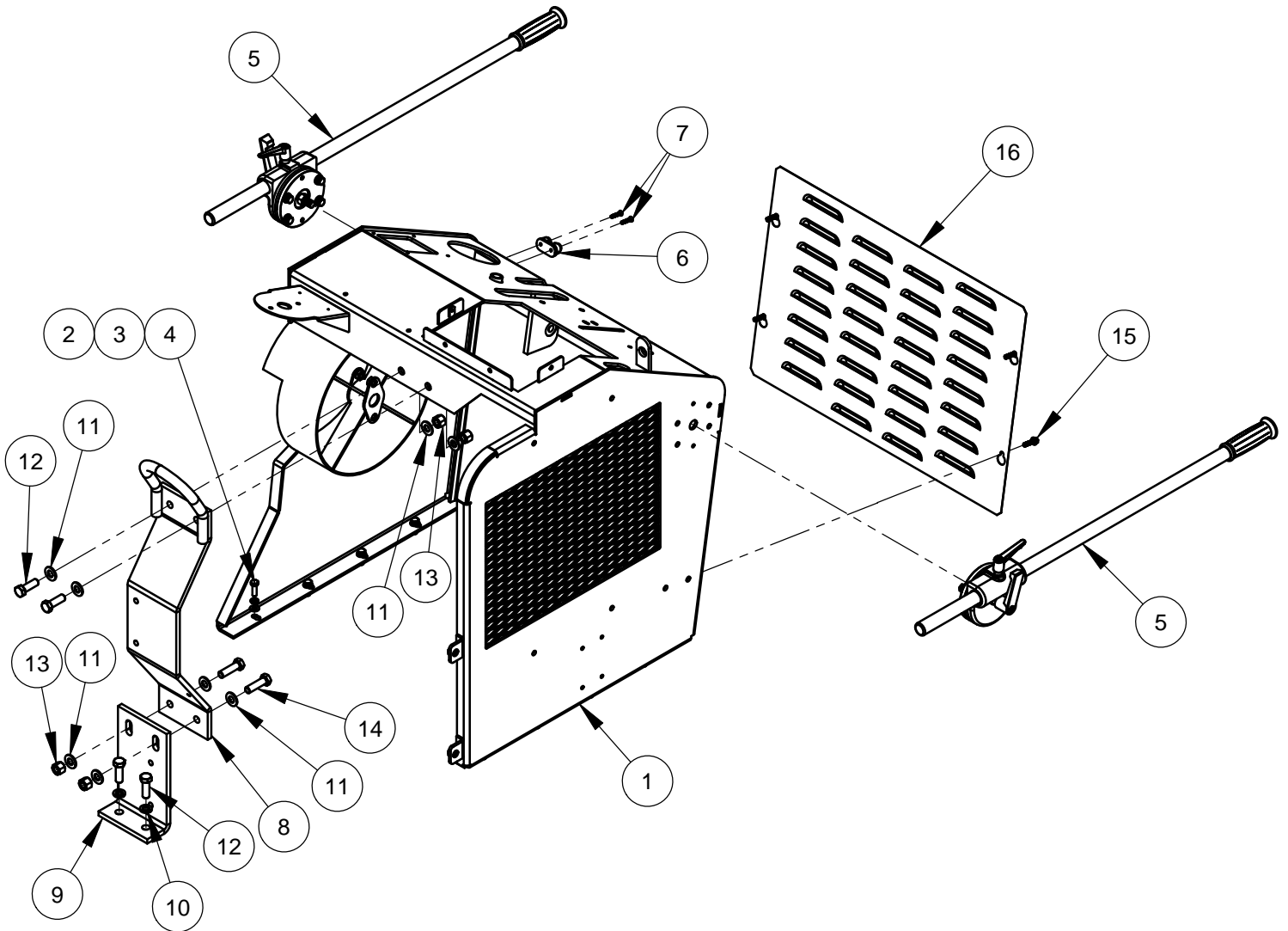
Table of Contents

Quick Reference Service Filters / Belts ..	4	Shafting	32
Frame Upright Assembly (Low Profile)...	5	Right Hand Side	34
Handle Assembly	6	4.1" PTO Assembly	36
Instrument and Controls (Low Profile)....	7	Engine Assembly	38
Control Panel Configuration	8	Belt Drive Assembly	40
Speed Control Assembly.....	9	Differential Jackshaft Assembly	41
Control Lever Assembly	10	Radiator Assembly	42
Control Grip Assembly	10	Cooling Fan Assembly	43
Quadco Speed Controller Set-up	11	Fan Idler Assembly.....	44
Fuel Tank Assembly.....	12	Throttle Cable Assembly	45
Battery Assembly	13	Left Belt Guard Assembly.....	46
Power Unit Assembly	14	Right Belt Guard Assembly	47
Depth Indicator Assembly	15	14" Blade Guard Assembly	48
Depth Stop Assembly.....	16	20" Blade Guard Assembly	49
Water Supply Assembly	17	26" Blade Guard Assembly	50
Air Filter Assembly	18	30" Blade Guard Assembly	51
Frame Base Assembly	19	36" Blade Guard Assembly	52
Front Axle Assembly	20	Front Pointer Assembly.....	53
Positraction Engagement Assembly.....	21	Pointer Stop Assembly.....	54
Traction Bar Assembly	22	Electric Water Pump Kit	55
Horizontal Muffler Kit.....	23	Spotlight Kit.....	56
Differential Assembly.....	24	Second Blade Guard Mount.....	57
3-Speed Assembly	26	Decal Set.....	58
Turnbuckle Tensioning Assembly	27	Wiring Diagram	60
3-Speed Transmission	28	Options Wiring Diagram	62
Main Body.....	29	Warranty.....	64
Left Hand Side.....	30		

Service Filters/Belts

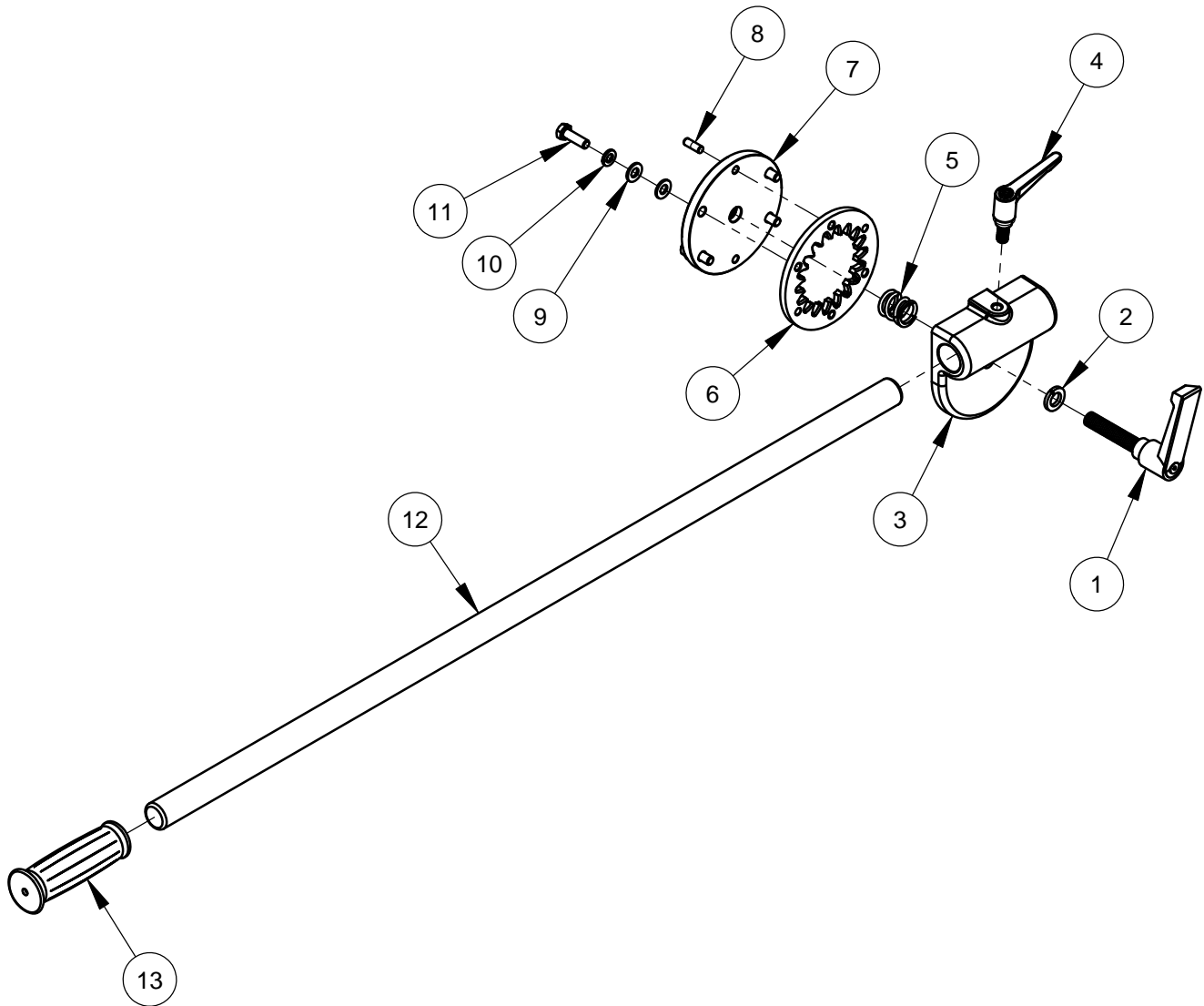
DP Part No.	Description	Manufacturer's Part No.
2705012	Engine Oil Filter	(Kubota 16271-32090)
2705002	Water Separator/Fuel Filter	(Stanadyne 33642)
2705157	Filter Element for Water Separator/Fuel Filter	(Stanadyne 31873)
2501785	In-Line Fuel Tank Filter, Diesel	(WIX 33007)
2504602	Outer Primary Air Filter	(Enginaire 2-E1)
2504603	Inner Safety Air Filter	(Enginaire 2-E2)
2503875	Engine to Gear Box Belt	(Gates 3VX366)
2500820	Differential Jack Shaft Drive Belt	(Gates 3VX280)
2503613	Transmission Drive Belt	(Gates AX38)
2503924	Cooling Fan Belt	(Gates 4L520)
2505080	Alternator Belt	(Bando 9.5x940)
2503930	3-Speed Transmission Oil	(75W-90 Synthetic)
2503862	Differential Gear Oil	(80W90 Gear Oil)
2500468	Engine & Lift Pump Oil	(15W40 SAE Motor Oil)
2503719	Radiator Coolant	(Medallion Plusguard Pink, (Precharged) Coolant/Antifreeze, Premixed 50/50 With De-Ionized Water)

Frame Upright Assembly, Low Profile #6045144



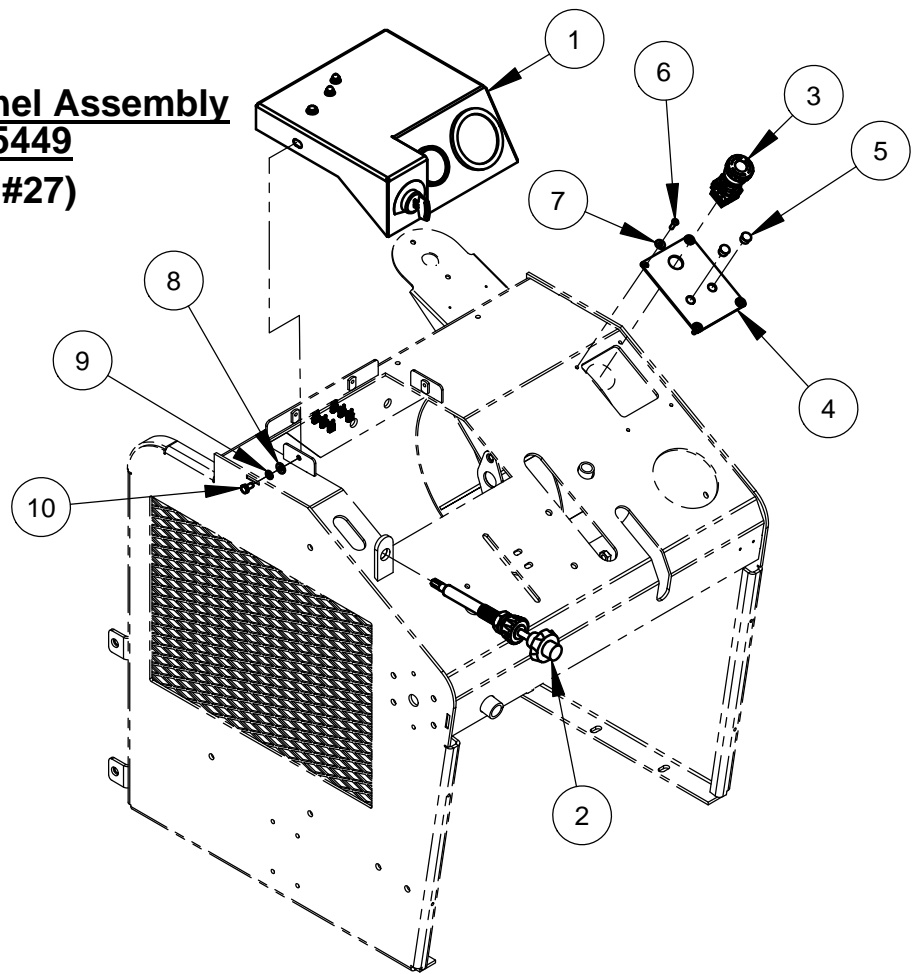
ITEM	PART NO.	QTY.	DESCRIPTION
1	6045140	1	CC4144D Upright Weldment (Low Profile)
2	2900022	8	Flat Washer, 5/16" SAE
3	2900031	8	Lock Washer, 5/16" Split
4	2900138	8	Cap Screw, Hex Hd., 5/16-18 x 1"
5	6011333	2	Handle Assembly
6	2501427	1	Rope Cleat
7	2900483	2	Tap Screw, Flat Hd., #10-24 x 1"
8	6045141	1	Frame Base Stiffener Weldment
9	6045064	1	Frame Base Stiffener Bracket
10	2900084	2	Lock Washer, 1/2" Split
11	2900058	8	Flat Washer, 1/2" SAE
12	2900499	4	Cap Screw, Hex Hd., 1/2-13 x 1-1/2"
13	2900026	4	Lock Nut, 1/2-13 Nylon
14	2900139	2	Cap Screw, Hex Hd., 1/2-13 x 1-3/4"
15	2900820	4	Cap Screw, Flange Hd., 1/4"-20 x 1"
16	6045094	1	Rear Cover Screen

Handle Assembly #6011333



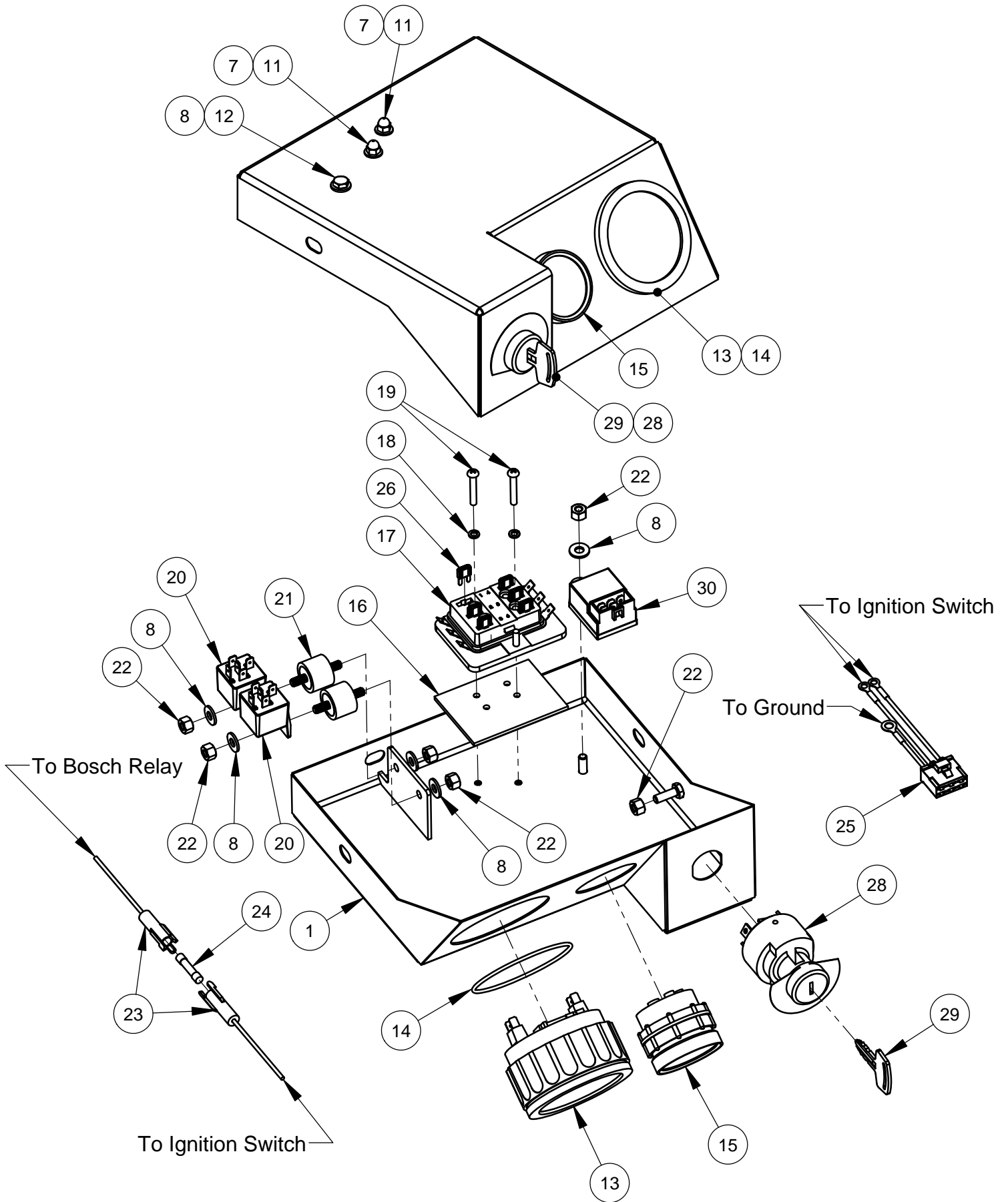
ITEM	PART NO.	QTY	DESCRIPTION
1	2503903	1	Lever, Adjustable /w Stud
2	2900084	1	Lock Washer, 1/2" Split
3	6011375	1	Handle Bracket Assembly
4	2503971	1	Lever, Adjustable w/ 3/8"-16 Stud
5	2503943	1	Compression Spring, .960 x 1.00
6	6011372	1	Int Spur Gear, 6DP, 18T, 20PA
7	6011334	1	Handle Bracket Backing Plate Asm
8	2900207	2	Dowel Pin, 1/4" Dia. x 3/4"
9	2900022	8	Flat Washer, 5/16" SAE
10	2900031	4	Lock Washer, 5/16" Split
11	2900138	4	Cap Screw, Hex Hd., 5/16-18 x 1"
12	6010014	1	Handle Bar, 36" Long
13	2500636	1	Handle Grip

Instruments & Control Panel Assembly
Low Profile #6045449
(Includes #1, #3- #27)

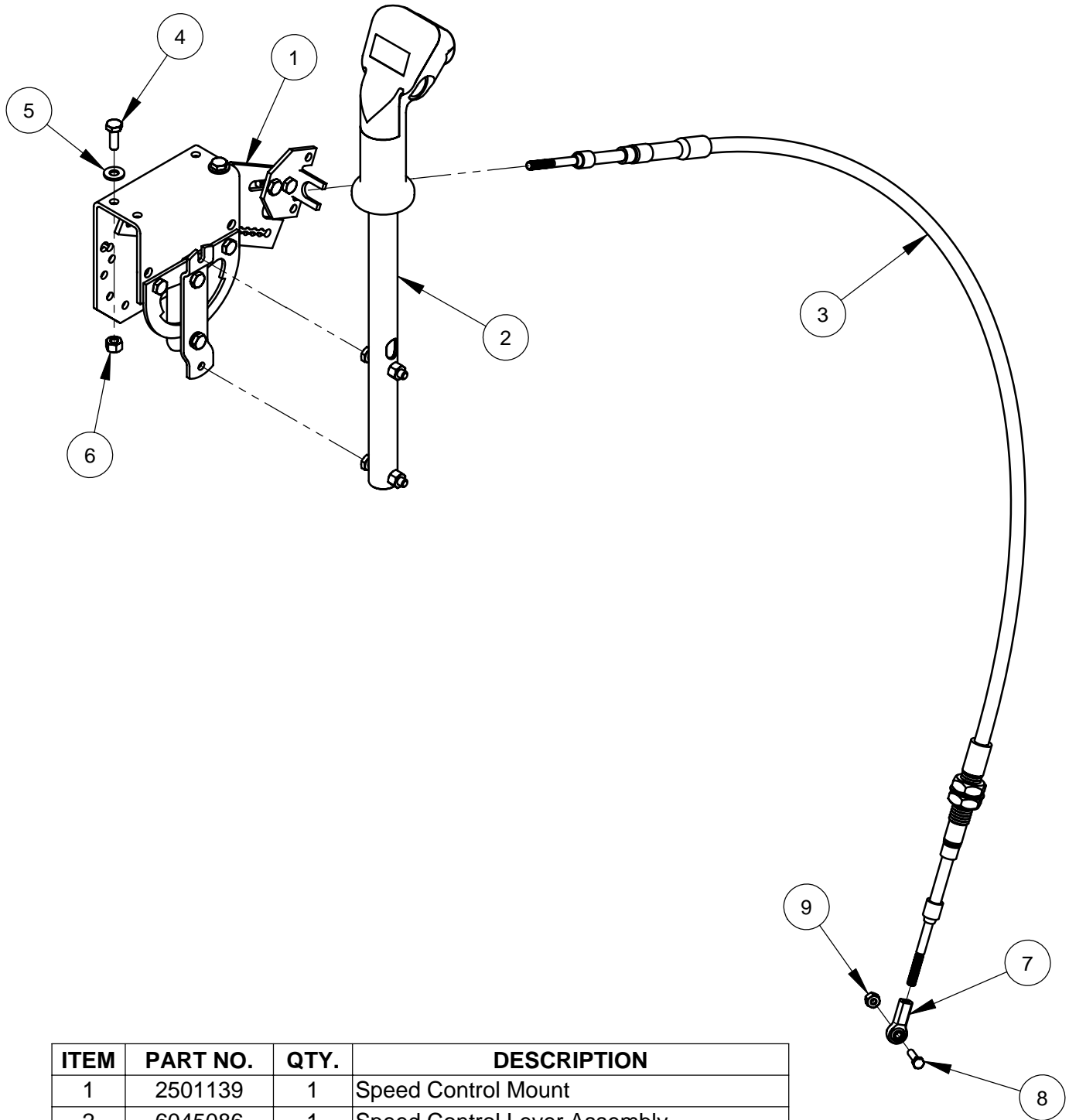


ITEM	PART NO.	QTY.	DESCRIPTION
1	6045134	1	Gage Panel Weldment
2	2503183	1	Vernier Throttle Cable
3	2801367	1	E-Stop Switch
4	6045171	1	Switch Plate
5	2500204	2	Plug, 1/2" Hole
6	2900159	4	Machine Screw, Rd. Hd., #10-24 x 5/8"
7	2900016	6	Flat Washer, #10 USS
8	2900009	10	Flat Washer, 1/4" SAE
9	2900024	4	Lock Washer, 1/4" Split
10	2900082	4	Cap Screw, Hex Hd., 1/4-20 x 1/2"
11	2900840	2	Acorn Nut, #10-24
12	2900144	1	Cap Screw, Hex Hd., 1/4-20 x 3/4"
13	6010893	1	Tach/Hour Meter (VDO) Calibrated
14	2400628	1	O-Ring #152
15	2705003	1	Cluster Gauge, 4 Warning Light
16	6045459	1	Rubber Gasket, 1/8" x 2-1/2" x 3-3/8"
17	2800925	1	Fuse Block, 6 Circuit, Mini ATM
18	2900038	2	Lock Washer, #10 Split
19	2900172	2	Machine Screw, Rd. Hd., #10-24 x 1-1/4"
20	2800144	2	Relay, 50 Amp, 12V, SPDT
21	2503617	2	Vibration Isolator
22	2900010	6	Lock Nut, 1/4-20 Nylon
23	2800856	1	In-Line Fuse Holder
24	2800857	1	Fuse, 15 Amp
25	2800855	1	Wire Harness, Timer Relay
26	2801439	6	Fuse, 10 Amp Mini (Red)
27	6045245	1	Control Panel Wiring Assembly (Not Shown)
28	2705001	1	Ignition Switch 4144D
29	2705000	1	Ignition Keys Only (Pair)
30	2705006	1	Timer, 12V DC

Control Panel Configuration



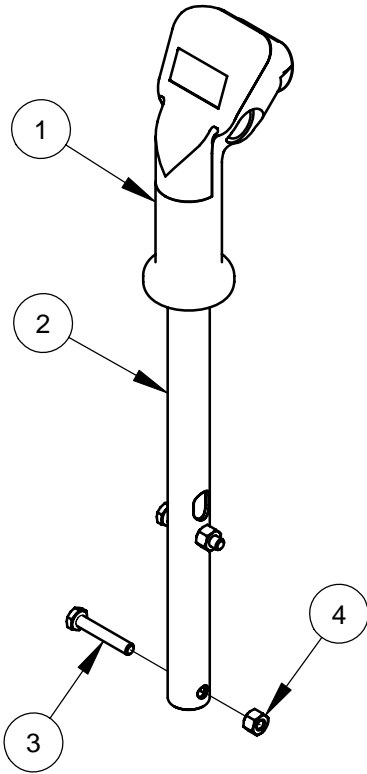
Speed Control Assembly #6045038



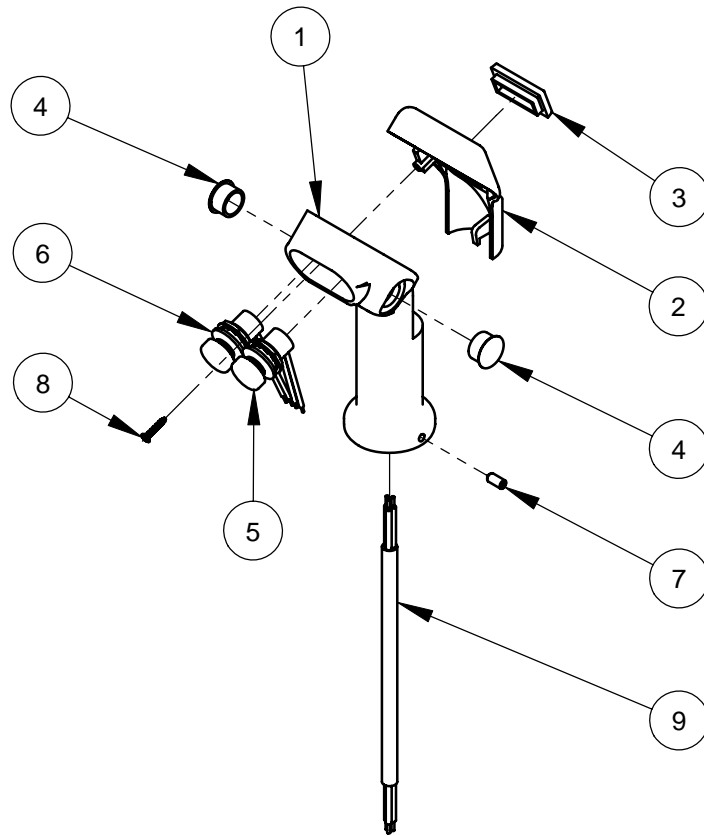
ITEM	PART NO.	QTY.	DESCRIPTION
1	2501139	1	Speed Control Mount
2	6045086	1	Speed Control Lever Assembly
3	2503904	1	Control Cable, 56"
4	2900144	2	Cap Screw, Hex Hd., 1/4-20 x 3/4"
5	2900009	2	Flat Washer, 1/4" SAE
6	2900010	2	Lock Nut, 1/4-20 Nylon
7	2500791	1	Rod End, #10-32 Female
8	2900015	1	Machine Screw, Hex Hd., #10-24 x 3/4"
9	2900017	1	Lock Nut, #10-24 Nylon

Control Lever Assembly #6045086

ITEM	PART NO.	QTY.	DESCRIPTION
1	6010319	1	Control Grip Assembly
2	6045085	1	Straight Speed Control Lever
3	2900048	2	Cap Screw, Hex Hd., 1/4-20 x 1-1/2"
4	2900010	2	Lock Nut, 1/4-20 Nylon

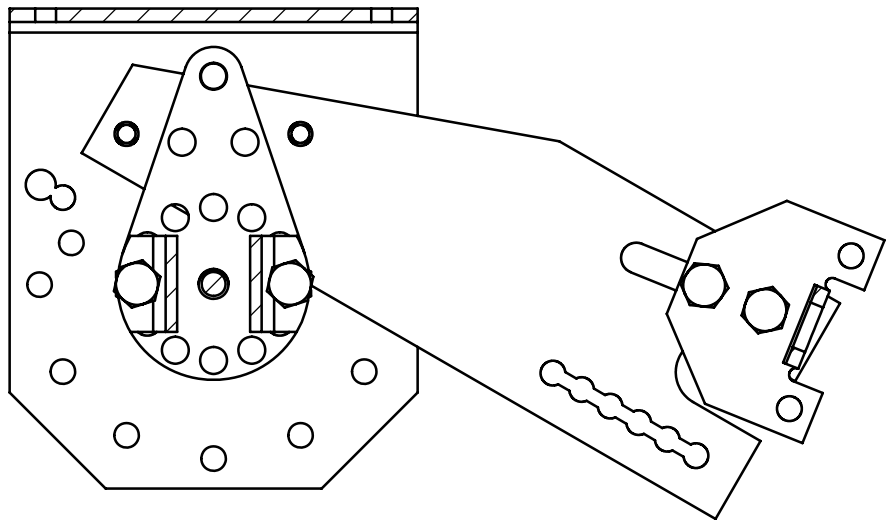
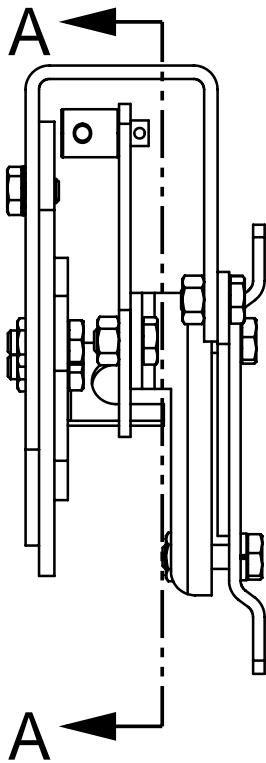
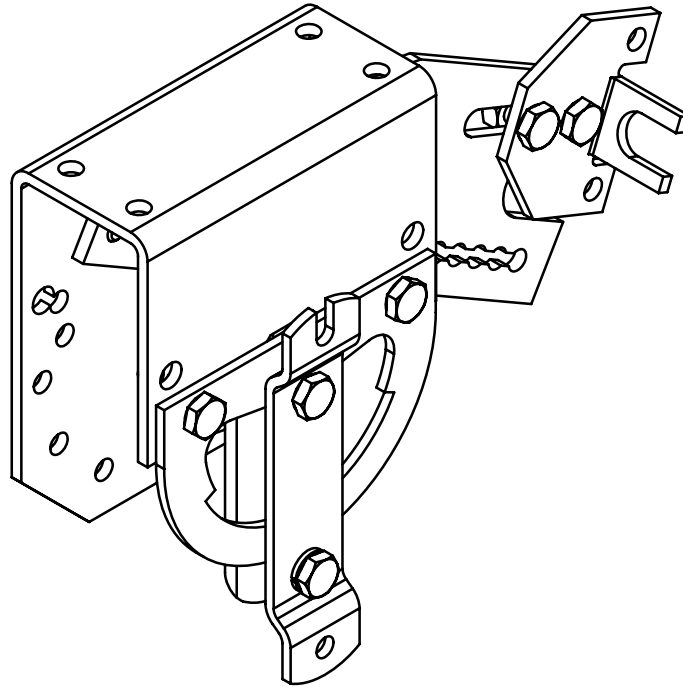


Control Grip Assembly #6010319



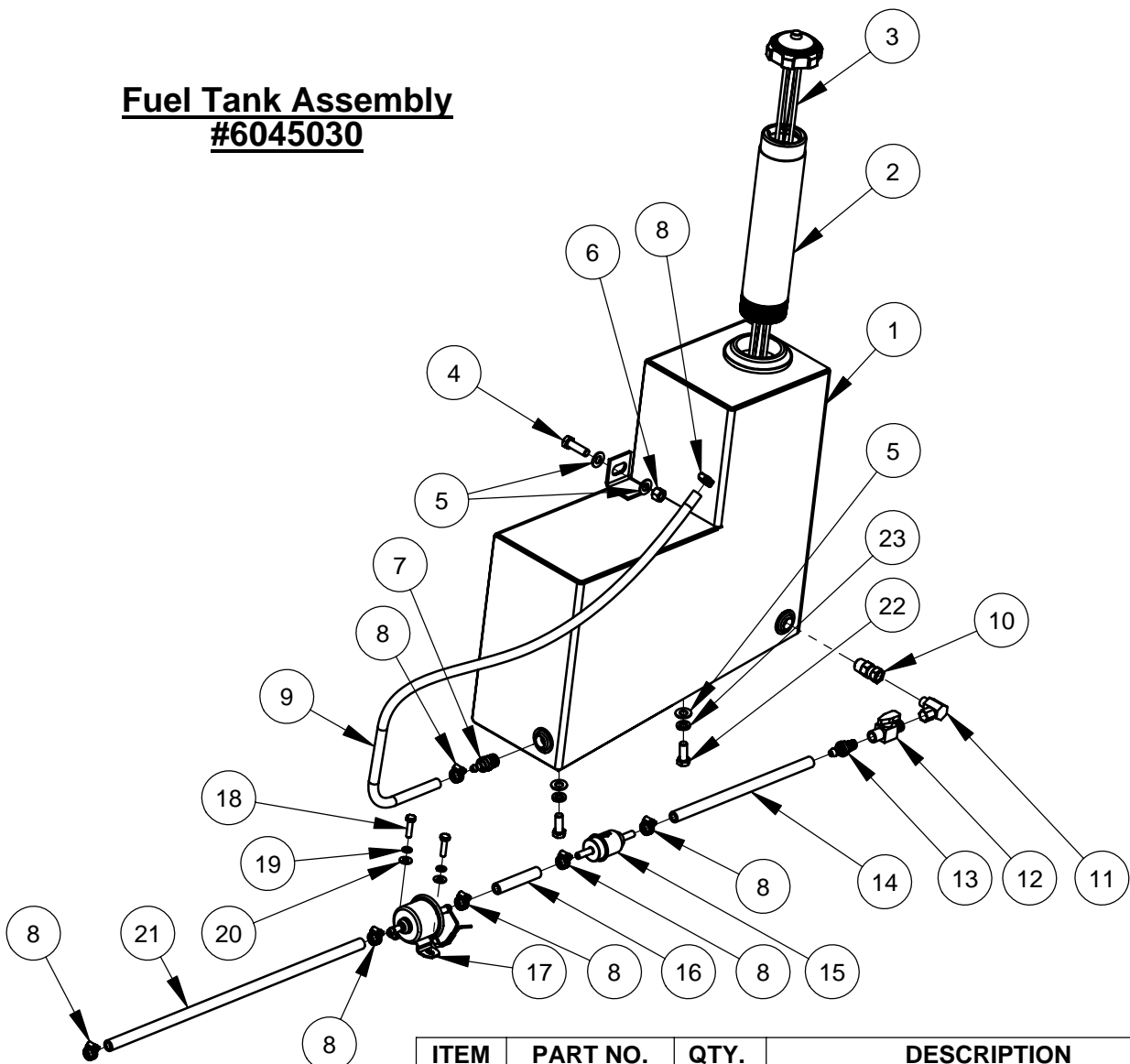
ITEM	PART NO.	QTY.	DESCRIPTION
1	2501280	1	Control Grip Body
2	2501281	1	Control Grip Cover
3	2500644	1	Plug, Rectangular
4	2500694	2	Plug, 5/8" Hole
5	2800372	1	Pushbutton Switch, Raise
6	2800373	1	Pushbutton Switch, Lower
7	2900453	1	Set Screw, Soc. Hd., M5 x 12mm
8	2900452	1	Machine Screw, Oval Hd., #4 x 5/8"
9	2800393	1	Harness, Hydraulic Pump

Quadco Speed Controller Setup



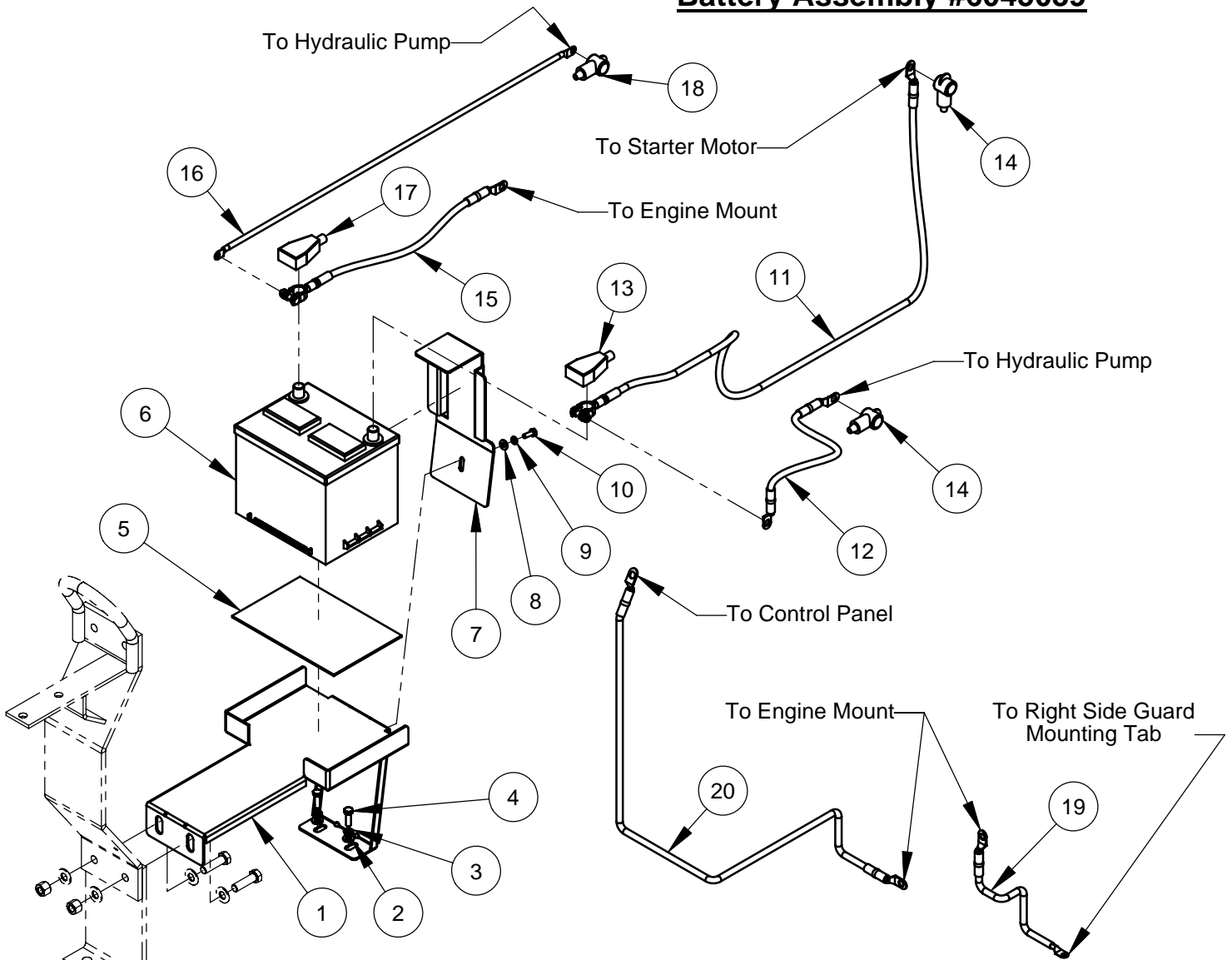
SECTION A-A
SCALE 1 : 2

Fuel Tank Assembly
#6045030



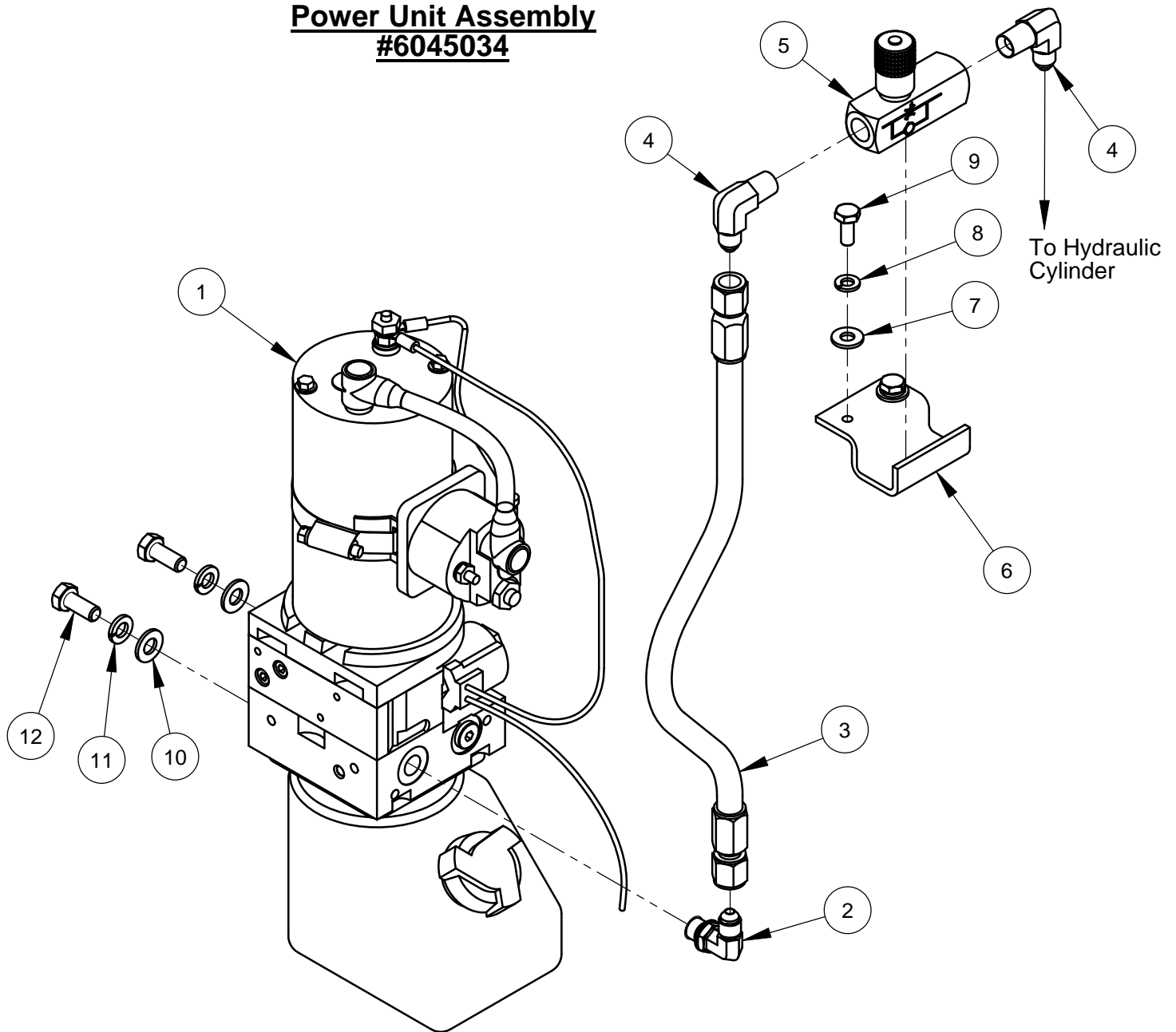
ITEM	PART NO.	QTY.	DESCRIPTION
1	6045066	1	Fuel Tank
2	6045132	1	Fuel Filler Neck Assembly
3	2503933	1	Fuel Tank Cap, 23"
4	2900013	1	Cap Screw, Hex Hd., 3/8-16 x 1-1/4"
5	2900014	4	Flat Washer, 3/8" SAE
6	2900018	1	Lock Nut, 3/8-16 Nylon
7	3200070	1	Fitting, 3/8" MPT to 1/4" Pushlok
8	3200062	7	Hose Clamp #4
9	6010103	1	Fuel Return Hose, 1/4" I.D. x 32"
10	3200058	1	Adapter, 3/8" MPT to 1/4" FPT
11	3200059	1	Elbow, 1/4" Male to 1/4" Female Pipe
12	3200108	1	Fuel Shut-Off Valve, 1/4"
13	3200202	1	Fitting, 1/4" M. Pipe to 5/16" Pushlock
14	6010452	1	Fuel Line Hose, 5/6" ID x 10"
15	2501785	1	Filter, Diesel Fuel
16	6010456	1	Fuel Line Hose, 5/6" ID x 3"
17	2705005	1	Electric Fuel Pump
18	2900008	2	Cap Screw, Hex Hd., 1/4-20 x 1"
19	2900024	2	Lock Washer, 1/4" Split
20	2900009	2	Flat Washer, 1/4" SAE
21	6010457	1	Fuel Line Hose, 5/6" ID x 18-1/2"
22	2900005	2	Cap Screw, Hex Hd., 3/8-16 x 1"
23	2900006	2	Lock Washer, 3/8" Split

Battery Assembly #6045039



ITEM	PART NO.	QTY.	DESCRIPTION
1	6045099	1	Battery Mounting Tray
2	2900022	2	Flat Washer, 5/16" SAE
3	2900031	2	Lock Washer, 5/16" Split
4	2900138	2	Cap Screw, Hex Hd., 5/16-18 x 1"
5	6010442	1	Battery Pad
6	2800561	1	Battery, 12 Volt Group Size 26
7	6045100	1	Battery Hold Down Bracket
8	2900009	1	Flat Washer, 1/4" SAE
9	2900024	1	Lock Washer, 1/4" Split
10	2900144	1	Cap Screw, Hex Hd., 1/4-20 x 3/4"
11	2800073	1	Battery Cable, Positive (Red)
12	2800095	1	Battery Cable, 14" Positive (Red)
13	2800256	1	Battery Boot, Large (Red)
14	2800197	2	Battery Boot, Small (Red)
15	2800072	1	Battery Cable, Negative (Black)
16	6048092	1	Battery Cable Assy., Black
17	2800257	1	Battery Boot, Large (Black)
18	2800198	1	Battery Boot, Small (Black)
19	2800853	1	Ground Cable, 4ga SAE J1127 x 18"
20	2800854	1	Ground Cable, 4ga SAE J1127 x 42"

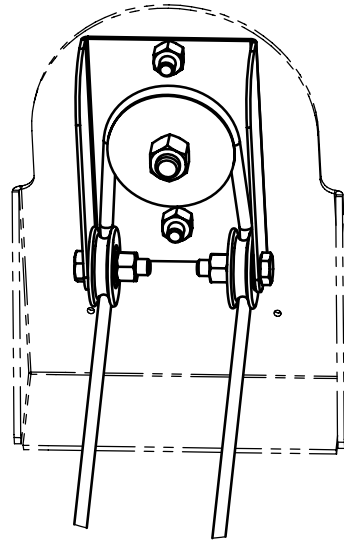
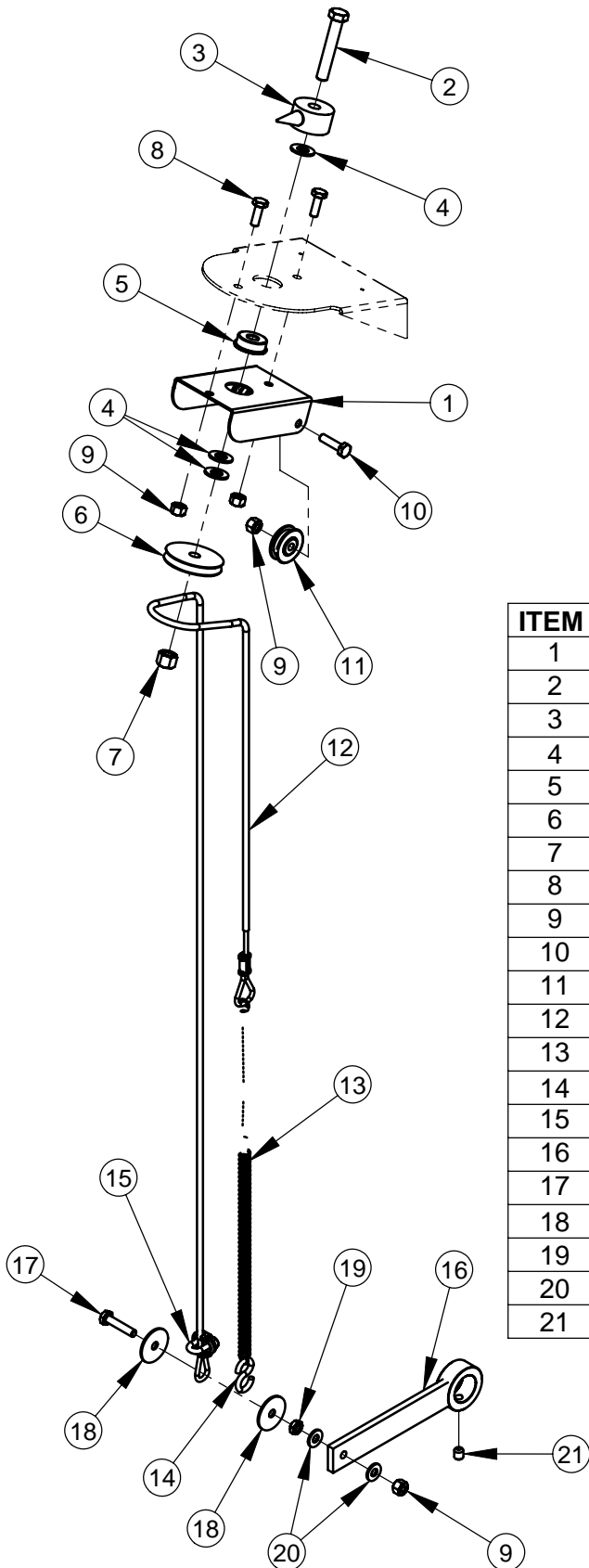
Power Unit Assembly
#6045034



ITEM	PART NO.	QTY.	DESCRIPTION
1	2600540	1	Electro/Hydraulic Pump Unit
	2703228	1	Solenoid Switch 12VDC
	2703229	1	Mounting Strap
2	3200214	1	Elbow, 1/4" M. O-Ring to 1/4" M. JIC
3	3201719	1	Hydraulic Hose Assembly, 1/4" x 15-1/2"
4	3200057	2	Elbow, 1/4" M. Pipe to 1/4" M. JIC
5	3200056	1	Flow Control Valve, 1/4" NPT
6	6045062	1	Flow Control Mount
7	2900009	2	Flat Washer, 1/4" SAE
8	2900024	2	Lock Washer, 1/4" Split
9	2900023	2	Cap Screw, Hex Hd., 1/4-20 x 5/8"
10	2900022	2	Flat Washer, 5/16" SAE
11	2900031	2	Lock Washer, 5/16" Split
12	2900019	2	Cap Screw, Hex Hd., 5/16-18 x 3/4"

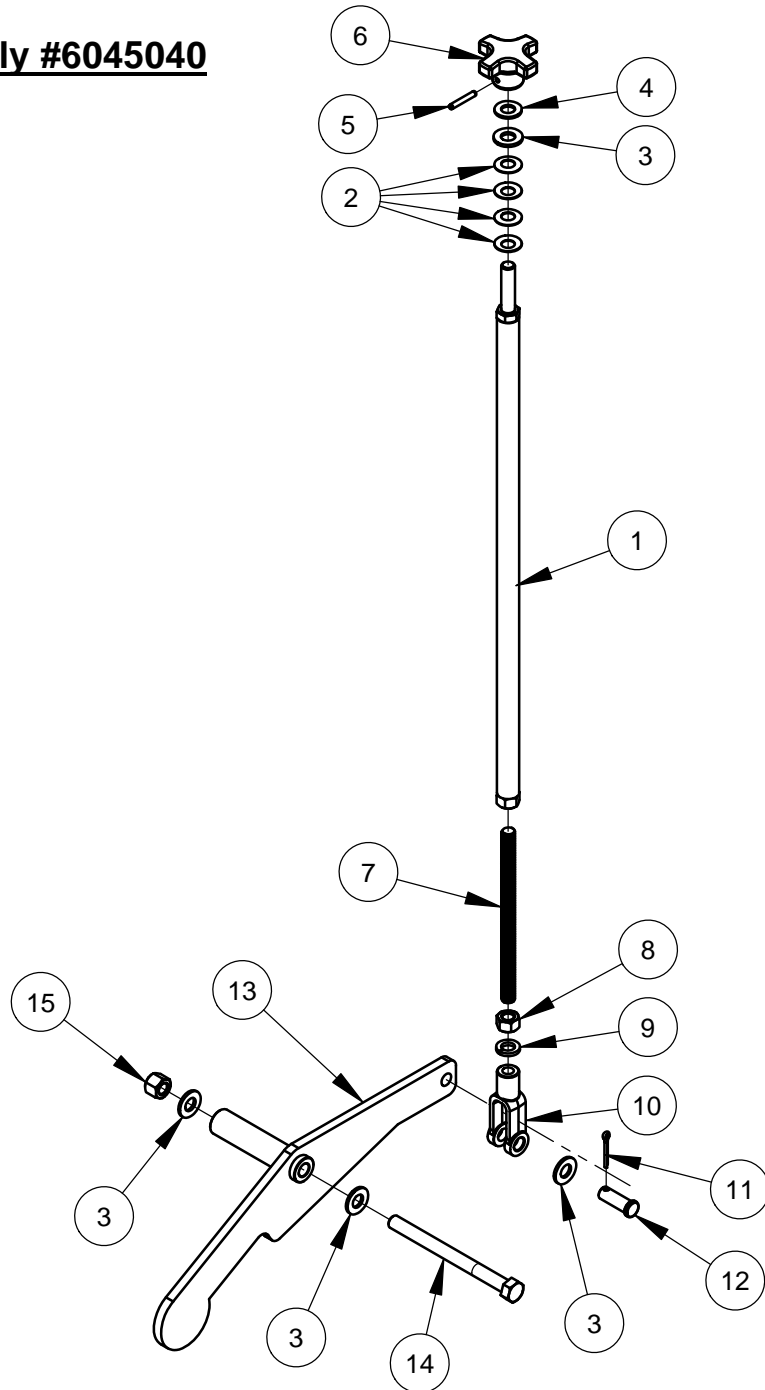
*** HYDRAULIC FLUID: 15W40 ENGINE OIL**

Depth Indicator Assembly #6045024



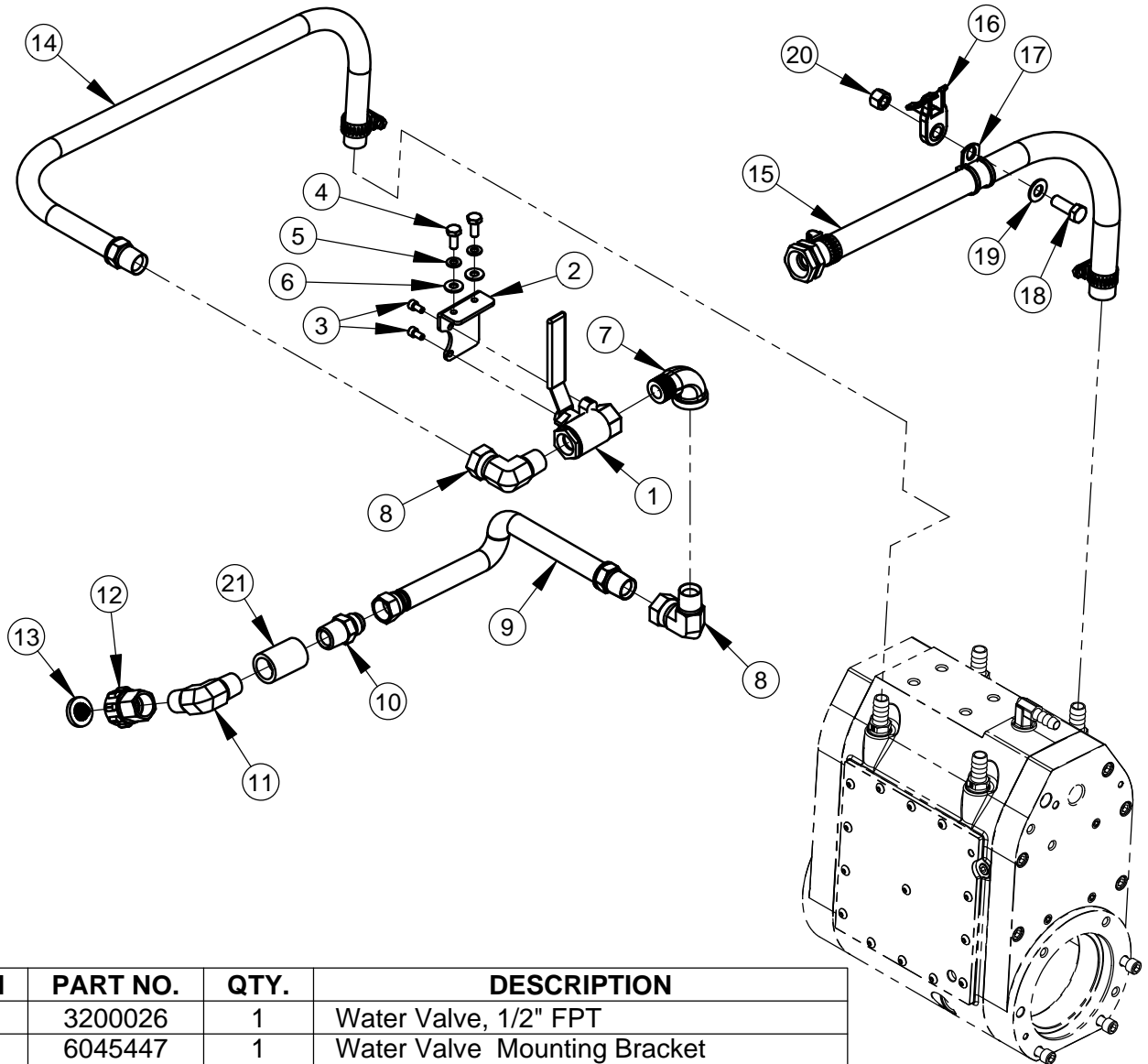
ITEM	PART NO.	QTY.	DESCRIPTION
1	6010092	1	Depth Indicator Mount Bracket
2	2900079	1	Cap Screw, Hex Hd., 3/8-16 x 2-1/4"
3	6010091	1	Depth Indicator Pointer
4	2900014	3	Flat Washer, 3/8" SAE
5	2500145	1	Flange Bearing, 3/8"
6	6010093	1	Cable Pulley, 2"
7	2900018	1	Lock Nut, 3/8-16 Nylon
8	2900144	2	Cap Screw, Hex Hd., 1/4-20 x 3/4"
9	2900010	5	Lock Nut, 1/4-20 Nylon
10	2900008	2	Cap Screw, Hex Hd., 1/4-20 x 1"
11	2500155	2	Cable Pulley, 1-1/4"
12	6011176	1	Depth Indicator Cable with Crimp, 52"
13	2500196	1	Spring, 3/8" x 15"
14	2501959	1	S-Hook, 60 Lb Load Rated
15	2500214	1	Cable Clamp
16	6045166	1	Depth Indicator Weldment
17	2900052	1	Cap Screw, Hex Hd., 1/4-20 x 1-1/4"
18	2900083	2	Fender Washer, 1/4" x 1-1/4"
19	2900358	1	Jam Nut, 1/4-20
20	2900009	2	Flat Washer, 1/4" SAE
21	2900142	1	Set Screw, Soc. Hd., 5/16-18 x 3/8"

Depth Stop Assembly #6045040



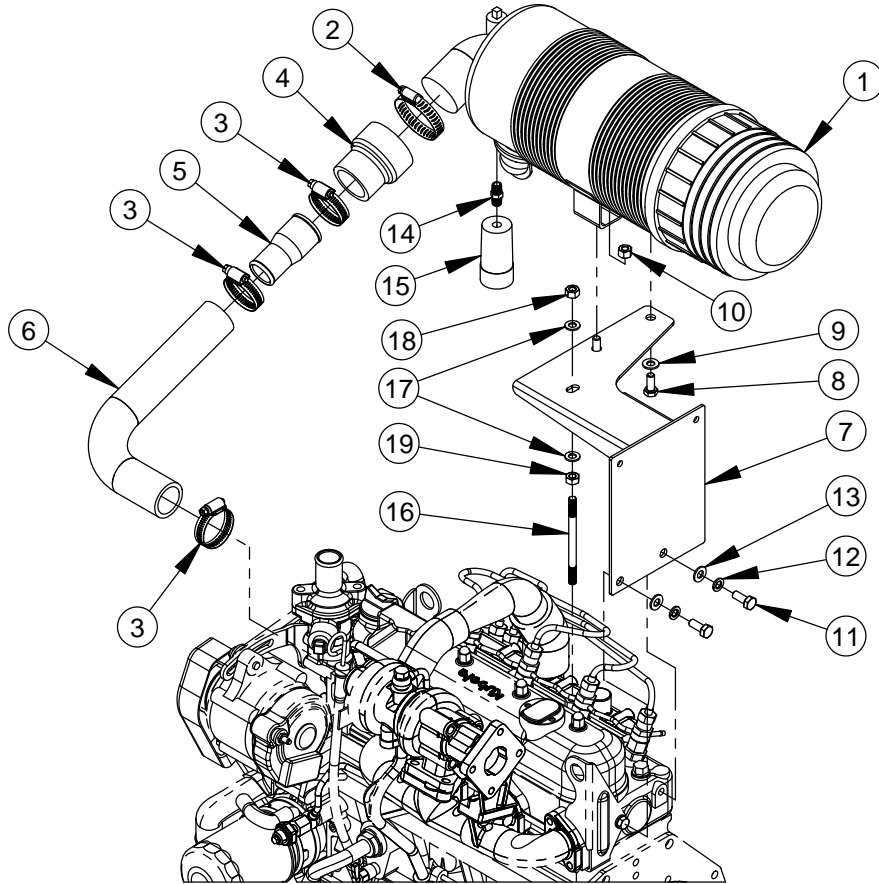
ITEM	PART NO.	QTY.	DESCRIPTION
1	6045083	1	Depth Stop Upper Assembly
2	2900665	4	Belleville Washer, 1/2"
3	2900058	4	Flat Washer, 1/2" SAE
4	2900239	1	Friction Washer, 1/2"
5	2900132	1	Roll Pin, 3/16 x 1-1/4"
6	6010095	1	Depth Stop Knob
7	6045084	1	1/2-13 x 7-1/12" Threaded Rod
8	2900037	1	Hex Nut, 1/2-13
9	2900084	1	Lock Washer, 1/2" Split
10	2900158	1	Yoke, 1/2-13
11	2900004	1	Cotter Pin, 1/8" x 1"
12	2900007	1	Clevis Pin, 1/2" Dia. x 1-3/8"
13	6045061	1	Depth Stop Pivot Arm
14	2901024	1	Capscrew, Hex Hd., 1/2-13 x 6"
15	2900026	1	Lock Nut, 1/2-13 Nylon

Water Supply Assembly #6045465



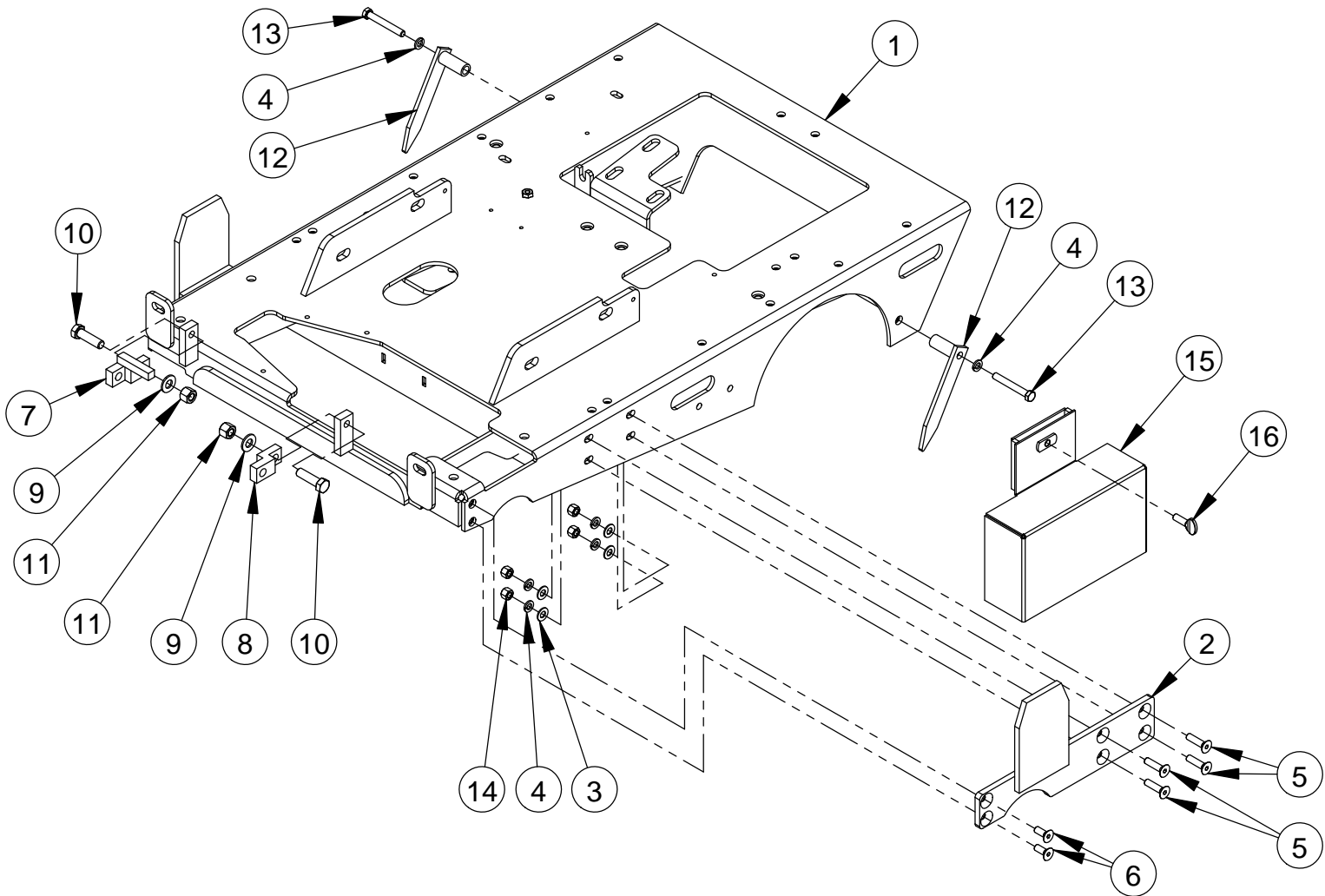
ITEM	PART NO.	QTY.	DESCRIPTION
1	3200026	1	Water Valve, 1/2" FPT
2	6045447	1	Water Valve Mounting Bracket
3	2900117	2	Cap Screw, Soc. Hd., #10-24 x 3/8"
4	2900023	2	Cap Screw, Hex Hd., 1/4-20 x 5/8"
5	2900024	2	Lock Washer, 1/4" Split
6	2900009	2	Flat Washer, 1/4" SAE
7	3200013	1	Street Elbow, 1/2" NPT
8	3200399	2	Elbow, 1/2" M. Pipe x 1/2" F. Pipe Swivel
9	6045451	1	Water Hose Assembly, 1/2" x 7-1/2"
10	3200283	1	Adapter, 1/2" M. Pipe x 1/2" M. JIC
11	3200166	1	Elbow, 1/2" Male Pipe
12	3200022	1	Fitting, 1/2" F. Pipe to 3/4" F. Garden
13	3200025	1	Hose Filter Washer
14	6045482	1	Hose Assembly, 1/2" x 52"
15	6045481	1	Hose Assembly, 1/2" x 80"
16	2501753	1	Hose Mount Support
17	2501434	1	Hose Clamp, 5/8" x 3/4" Wide
18	2900005	1	Cap Screw, Hex Hd., 3/8-16 x 1"
19	2900014	1	Flat Washer, 3/8" SAE
20	2900018	1	Lock Nut, 3/8-16 Nylon

Air Filter Assembly #6045104



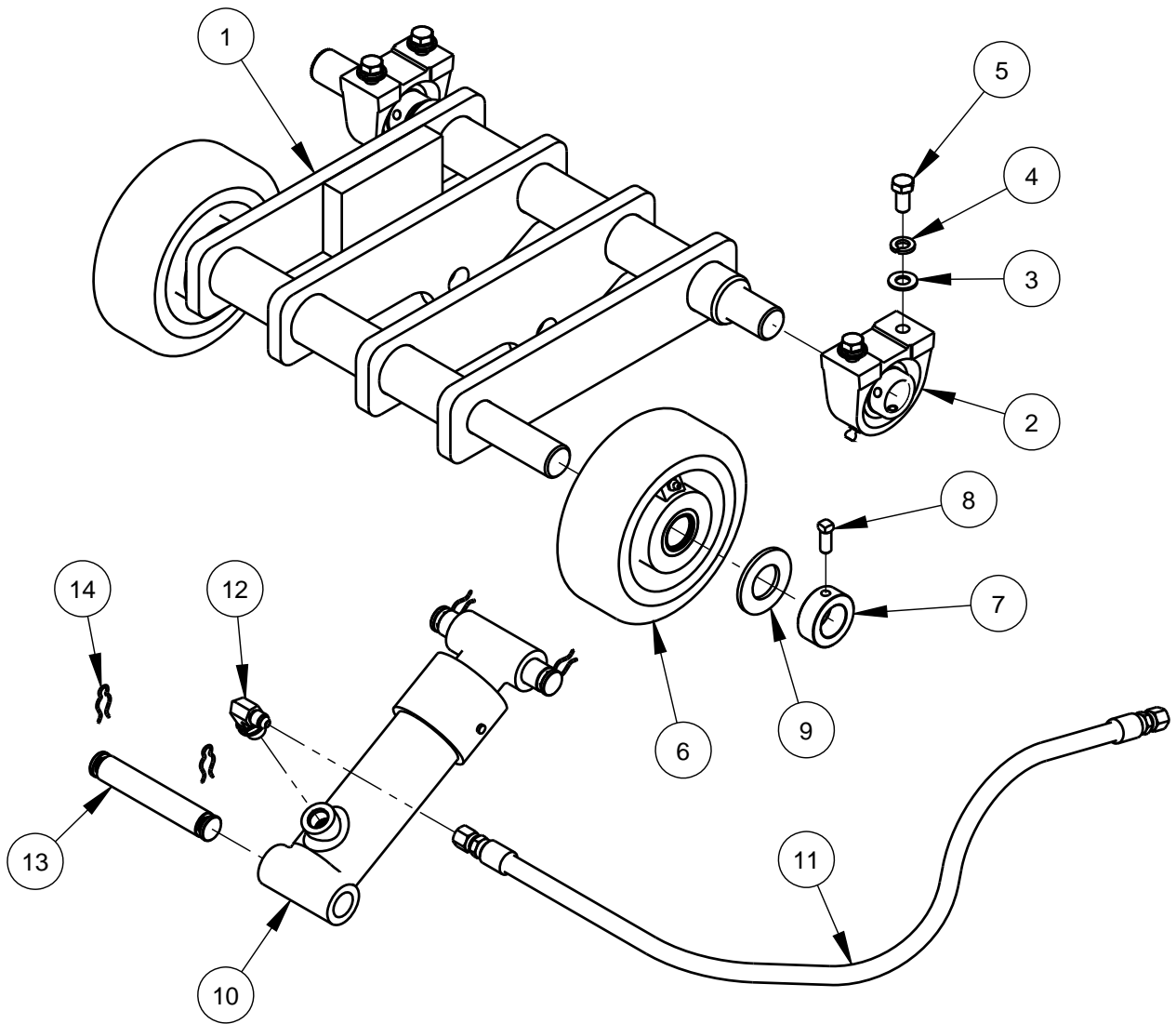
ITEM	PART NO.	QTY.	DESCRIPTION
1	2502407	1	Air Cleaner Assembly
	2504602	1	Outer Primary Filter
	2504603	1	Inner Safety Filter
	2500239	1	Rubber Dust Ejector Boot
2	3200095	1	Hose Clamp #32
3	3400615	3	Hose Clamp, #20
4	2503177	1	Hose Reducer, 2.0"-1.5" ID
5	6045105	1	Hose Connector, 1-1/2" x 1-1/4" x 3"
6	6045142	1	Air Filter Hose
7	6045292	1	Water Bottle/Air Cleaner Mount
8	2900019	2	Cap Screw, Hex Hd., 5/16-18 x 3/4"
9	2900022	2	Flat Washer, 5/16" SAE
10	2900039	2	Lock Nut, 5/16-18 Nylon
11	2900329	2	Cap Screw, Hex Hd., M8-1.25 x 20mm
12	2900763	2	Lock Washer, M8 Split
13	2900022	2	Flat Washer, 5/16" SAE
14	2505106	1	Safety Filter Fitting, 1/8" NPT
15	2500423	1	Restriction Indicator
16	2901321	1	Stud, Threaded, M8 x 110
17	2901336	2	Flat Washer, M8
18	2900303	1	Lock Nut, M8 Nylon
19	2900343	1	Hex Nut, M8-1.25

Frame Base Assembly #6045434



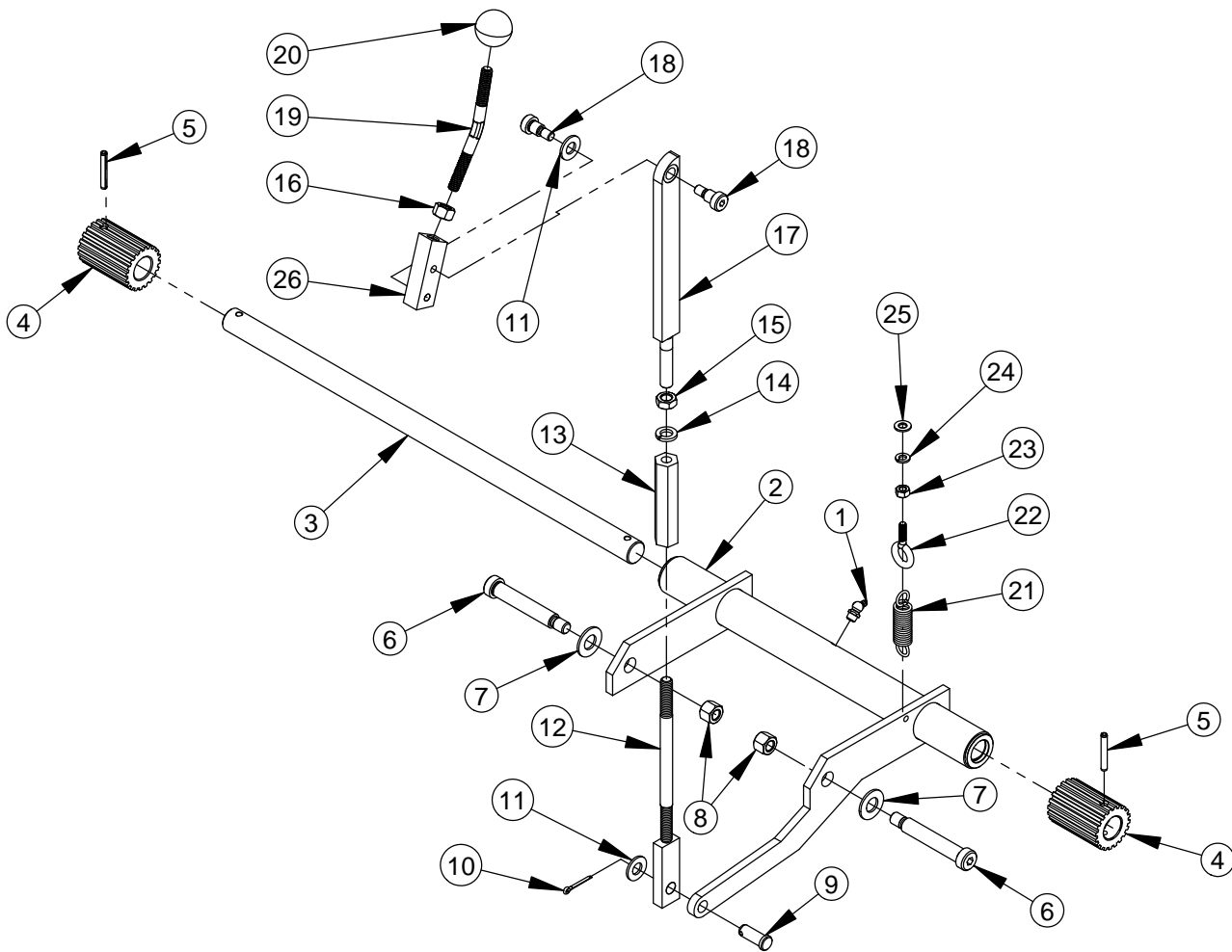
ITEM	PART NO.	QTY.	DESCRIPTION
1	6045417	1	Frame Base Weldment
2	6043524	1	Blade Guard Mount
3	2900014	4	Flat Washer, 3/8" SAE
4	2900006	6	Lock Washer, 3/8" Split
5	2900428	4	Cap Screw, Flat Hd., 3/8-16 x 1-1/2"
6	2900235	2	Cap Screw, Flat Hd., 3/8-16 x 1"
7	6045204	1	Pointer Extension With Stop
8	6047976	1	Pointer Extension
9	2900058	2	Flat Washer, 1/2" SAE
10	2900139	2	Cap Screw, Hex Hd., 1/2-13 x 1-3/4"
11	2900026	2	Lock Nut, 1/2-13 Nylon
12	6045221	2	Rear Pointer Weldment
13	2900028	2	Cap Screw, Hex Hd., 3/8-16 x 2-3/4"
14	2900018	4	Lock Nut, 3/8-16 Nylon
15	6045435	1	Shaft Guard Assembly
16	2900500	1	Thumb Screw, 3/8-16 x 1"

Front Axle Assembly #6045029



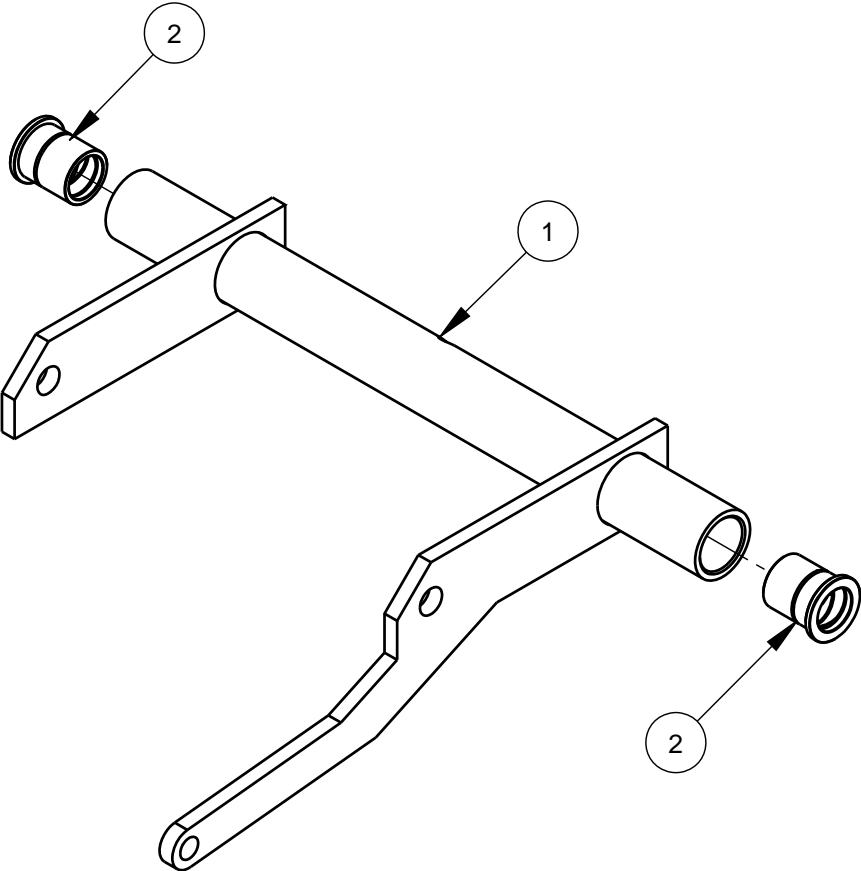
ITEM	PART NO.	QTY.	DESCRIPTION
1	6045165	1	Front Axle Weldment
2	2500732	2	Pillow Block Bearing 1"
3	2900014	4	Flat Washer, 3/8" SAE
4	2900006	4	Lock Washer, 3/8" Split
5	2900196	4	Cap Screw, Hex Hd., 3/8-16 x 3/4"
6	2500299	2	Wheel, 6" Front
7	2500009	2	Set Collar, 1" ID
8	2900783	2	Set Screw, Sq. Hd., 5/16-18 x 3/4"
9	2900295	2	Flat Washer, 1" SAE
10	2501541	1	Hydraulic Cylinder, 1-3/4" x 5"
11	3201684	1	Hydraulic Hose Assembly, 52-1/2" Long
12	3200551	1	Elbow, 3/8" O-Ring to 1/4" M. JIC
13	6045056	2	Cylinder Pin, 3/4" x 4-1/2"
14	2900784	4	Hair Pin Clip, 1/2"

Positraction Engagement Assembly #6045033



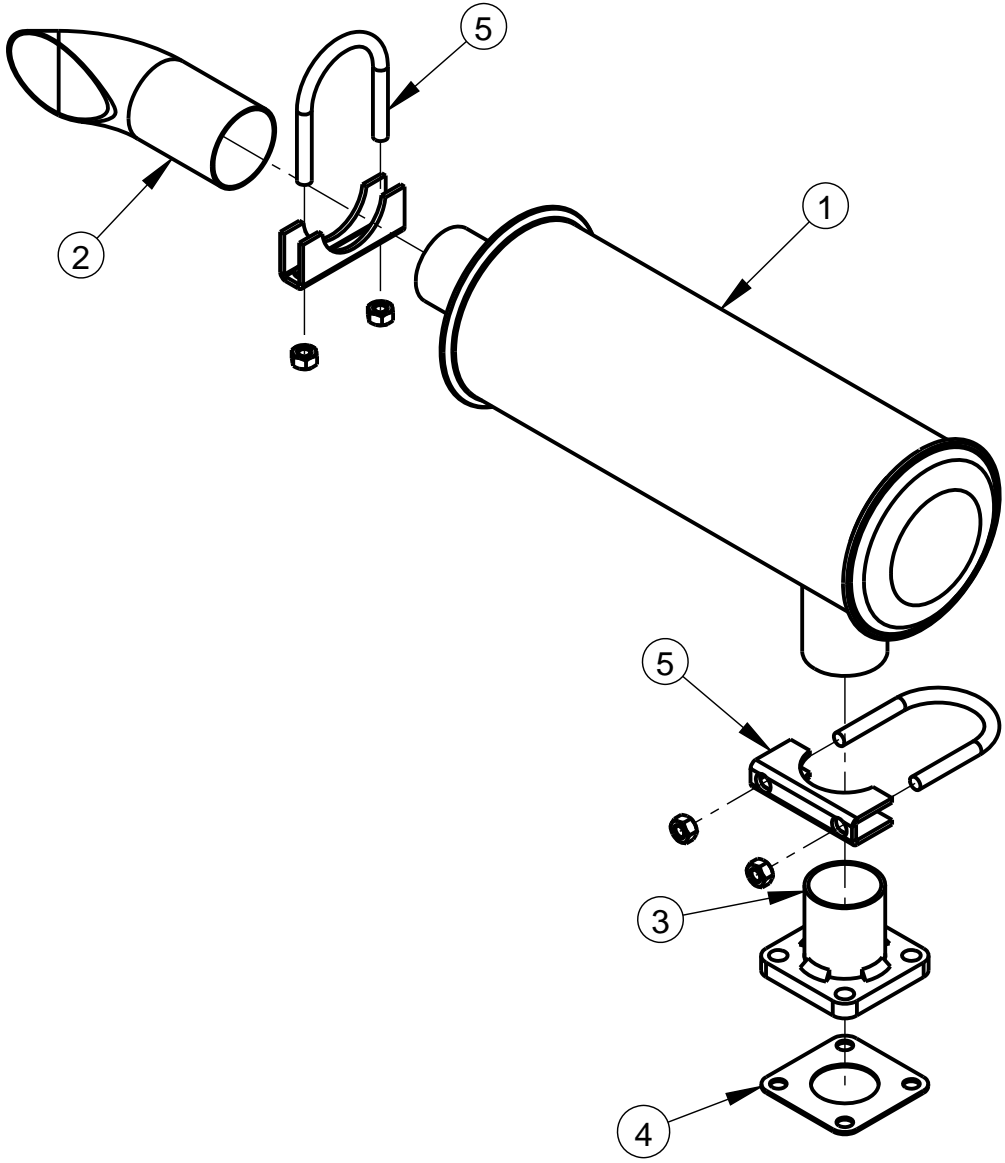
ITEM	PART NO.	QTY.	DESCRIPTION
1	2900193	1	Grease Fitting, 1/8" NPT x 45 degree
2	6045164	1	Traction Bar Assembly
3	6015036	1	Positraction Axle, 1" x 23-1/4"
4	6015035	2	Sprocket, 20T
5	2901015	2	Roll Pin, 1/4" x 1-3/4"
6	2900824	2	Shoulder Screw, 5/8" x 3-1/4" (1/2-13)
7	2900002	2	Flat Washer, 5/8" SAE
8	2900026	2	Lock Nut, 1/2-13 Nylon
9	2900266	1	Clevis Pin, 1/2 x 1-1/4"
10	2900004	1	Cotter Pin, 1/8" x 1"
11	2900058	2	Flat Washer, 1/2" SAE
12	6045014	1	Lower Positraction Arm Weldment
13	2901013	1	Coupling Nut, 1/2-13 x 4 LH/RH
14	2900084	1	Lock Washer, 1/2" Split
15	2900129	1	Hex Nut, Jam, 1/2"-13
16	2900037	1	Hex Nut, 1/2-13
17	6015044	1	Upper Positraction Arm Weldment
18	2900588	2	Shoulder Screw, 1/2" x 1/2" (3/8-16)
19	6045461	1	Stud, Angled, 1/2"-13 x 5-1/2" RH
20	2504032	1	Knob, 1/2-13 x 1-1/2 Dia
21	2503940	1	Extension Spring, 3/4 x .105 x 3.00"
22	2900720	1	Eyebolt, 5/16-18 x 1"
23	2900141	1	Hex Nut, 5/16-18
24	2900031	1	Lock Washer, 5/16" Split
25	2900022	1	Flat Washer, 5/16" SAE
26	6015117	1	Disengage Pivot Bar

Traction Bar Assembly #6045164



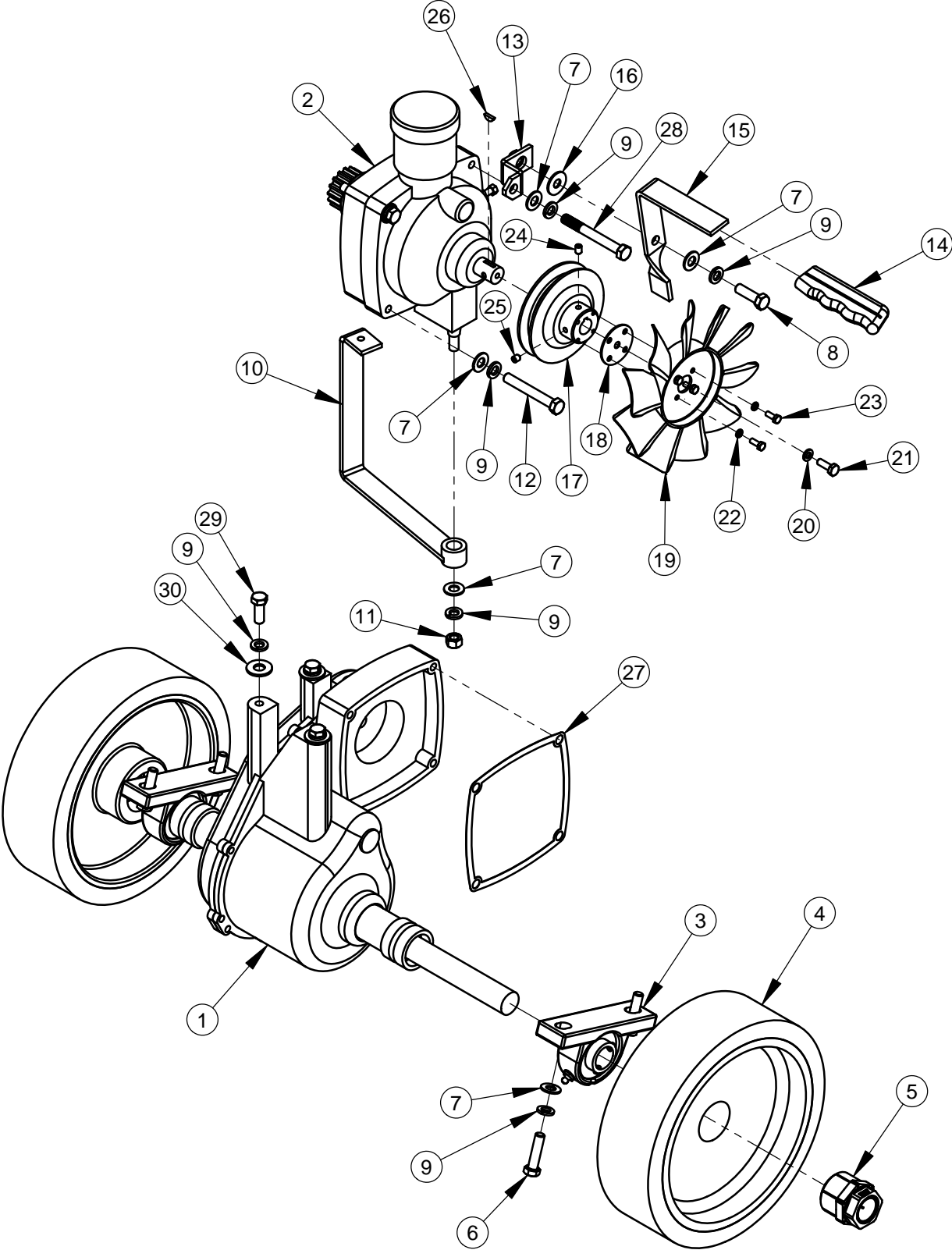
ITEM	PART NO.	QTY.	DESCRIPTION
1	6045004	1	Traction Bar Weldment
2	2502170	2	Grooved Flange Bearing 1 x 1-1/4 x 1-1/2"

Horizontal Muffler Kit
#6045145



ITEM NO.	PART NUMBER	QTY.	DESCRIPTION
1	2700491	1	Muffler, Exhaust
2	2500517	1	Exhaust Deflector, 1-7/8"
3	2503906	1	4 Bolt Exhaust Flange
4	2503907	1	4 Bolt Exhaust Flange Gasket
5	2503909	2	Muffler Clamp, 1-3/4"

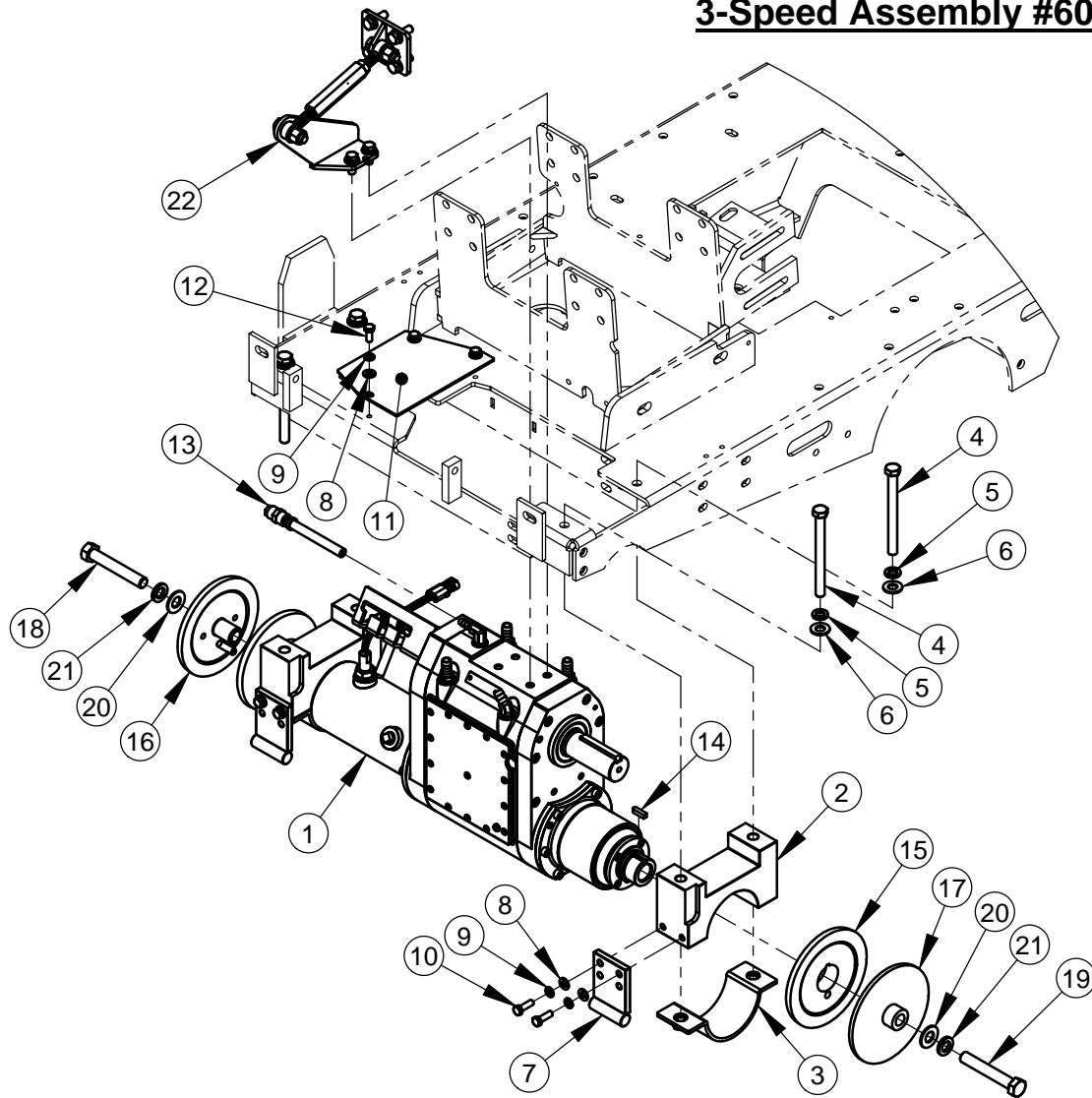
Differential Assembly #6045027



Differential Assembly #6045027

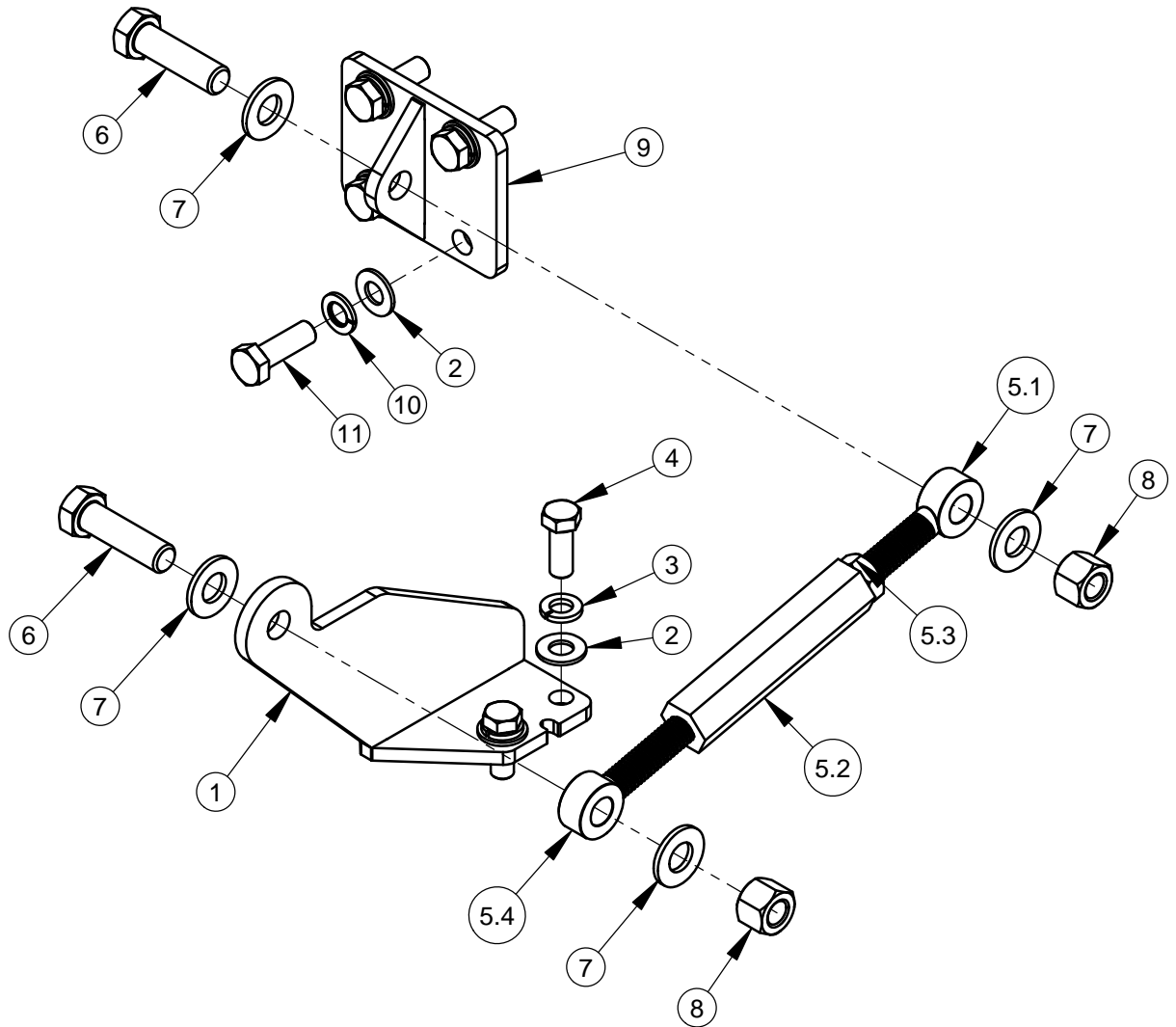
ITEM	PART NO.	QTY.	DESCRIPTION
1	2600206	1	Peerless Transaxle 1325-A
2	6045208	1	Eaton 7 Dimpled Shaft Trans with Gear
3	2500013	2	Bearing, 1" Pillowblock
4	2500996	2	Wheel 10 x 3 1.75 Bore
5	2500867	2	Trantorque Bushing, 1"
6	2900029	4	Cap Screw, Hex Hd., 3/8-16 x 1-1/2"
7	2900014	10	Flat Washer, 3/8" SAE
8	2900013	1	Cap Screw, Hex Hd., 3/8-16 x 1-1/4"
9	2900006	13	Lock Washer, 3/8" Split
10	6045059	1	Shift Lever Weldment
11	2900033	1	Hex Nut, 3/8-16
12	2900028	3	Cap Screw, Hex Hd., 3/8-16 x 2-3/4"
13	6015048	1	Free Wheel Mount Bracket
14	2500002	1	Lever Grip
15	6045058	1	Free Wheeling Lever
16	2900153	1	Friction Washer, 3/8"
17	6011149	1	Cup Pulley 4 "- A Groove
18	6045130	1	Fan Pulley Spacer
19	2500519	1	Cooling Fan, 7"
20	2900024	1	Lock Washer, 1/4" Split
21	2900144	1	Cap Screw, Hex Hd., 1/4-20 x 3/4"
22	2900038	4	Lock Washer, #10 Split
23	2900448	4	Machine Screw, Hex Hd., #10-32 x 1/2"
24	2900101	1	Set Screw, Soc. Hd., 1/4-20 x 3/8"
25	2901133	1	Set Screw, Soc. Cone Point, 1/4-20 x 3/8"
26	2900068	1	Woodruff Key #404, 1/8" W x 1/2" Dia.
27	2501133	1	Gasket
28	2903030	1	Cap Screw, Hex Hd., 3/8-16 x 3-1/4"
29	2900005	3	Cap Screw, Hex Hd., 3/8-16 x 1"
30	2900473	3	Flat Washer, 3/8", USS

3-Speed Assembly #6045379



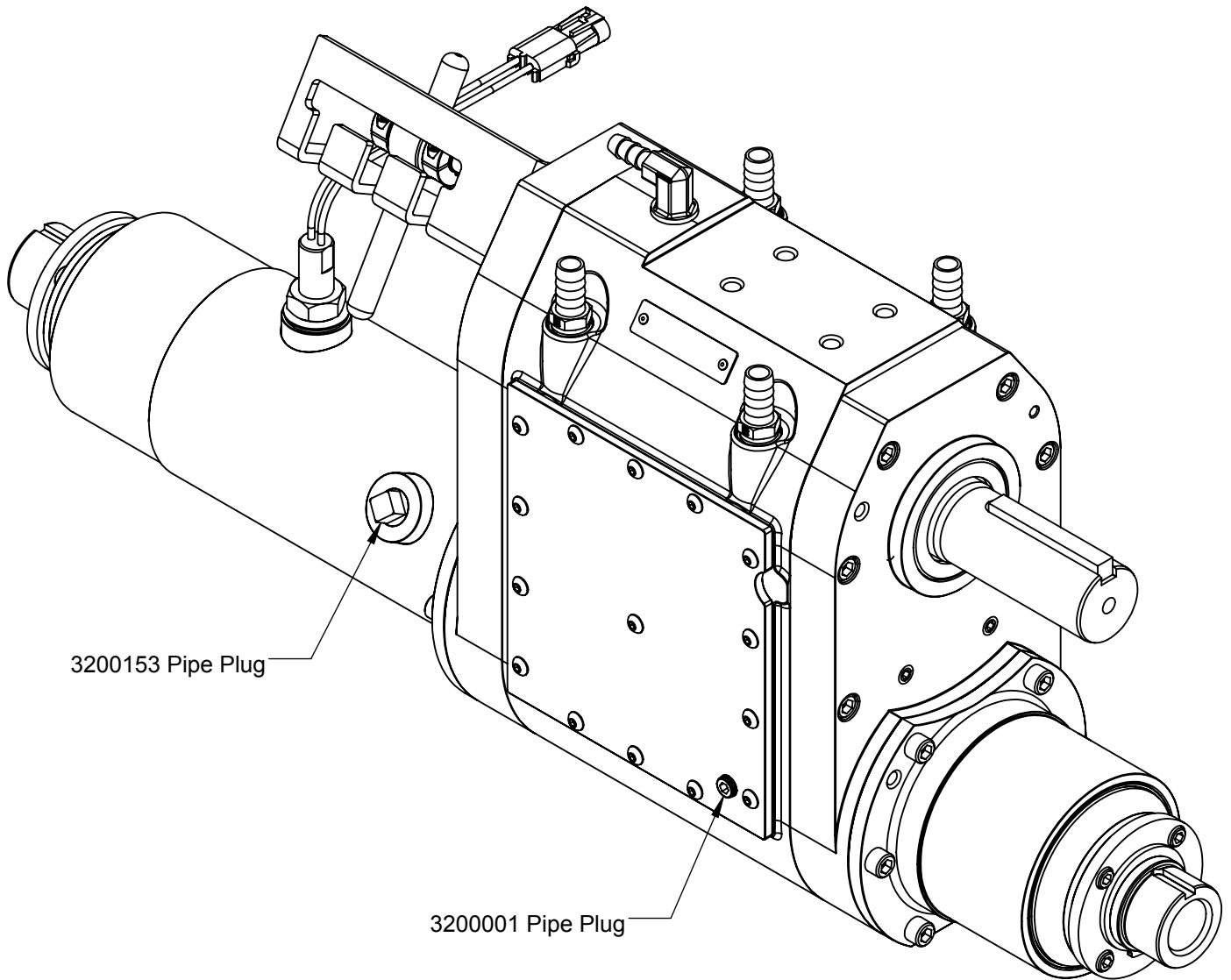
ITEM	PART NO.	QTY.	DESCRIPTION
1	6018074	1	DP-3 3 Speed Transmission
2	6011368	2	Transmission Mount
3	6045364	2	Clamp Mounting
4	2900466	4	Cap Screw, Hex Hd., 1/2-13 x 5-1/2"
5	2900084	4	Lock Washer, 1/2" Split
6	2900058	4	Flat Washer, 1/2" SAE
7	6045368	2	Skid Plate
8	2900022	7	Flat Washer, 5/16" SAE
9	2900031	7	Lock Washer, 5/16" Split
10	2900138	4	Cap Screw, Hex Hd., 5/16-18 x 1"
11	6045369	1	Frame Cover
12	2900019	3	Cap Screw, Hex Hd., 5/16-18 x 3/4"
13	6018217	1	Vent Tube Assembly
14	6010040	2	Key, 1/4" Sq. x 15/16"
15	6010038	2	Inner Flange 6"
16	6010039	1	Outer Flange 6" with Pin
17	6045214	1	Flange Cover Weldment, 6"
18	2900130	1	Cap Screw, Hex Hd., 5/8-11 x 4" LH
19	2900146	1	Cap Screw, Hex Hd., 5/8-11 x 4"
20	2900002	2	Flat Washer, 5/8" SAE
21	2900113	2	Lock Washer, 5/8" Split
22	6045446	1	Turnbuckle Tensioning Assembly

Turnbuckle Tensioning Assembly #6045446



ITEM	PART NO.	QTY.	DESCRIPTION
1	6045360	1	Belt Tension Bracket Box
2	2900014	8	Flat Washer, 3/8" SAE
3	2900006	4	Lock Washer, 3/8" Split
4	2900005	4	Cap Screw, Hex Hd., 3/8-16 x 1"
5	6045362	1	Turnbuckle, 1/2" Eyes
5.1	6045374	1	Rod End, Right Hand, 1/2"-13 x 3-1/2"
5.2	2901013	1	Coupling Nut, 1/2-13 x 4 LH/RH
5.3	2900129	1	Jam Nut, 1/2-13
5.4	6045366	1	Rod End: Left Hand 1/2"-13 x 3-1/2"
6	2900139	2	Cap Screw, Hex Hd., 1/2-13 x 1-3/4"
7	2900058	4	Flat Washer, 1/2" SAE
8	2900026	2	Lock Nut, 1/2-13 Nylon
9	6045361	1	Belt Tension Bracket, Engine
10	2900321	4	Lock Washer, M10 Split
11	2900870	4	Cap Screw, Hex Hd., M10-1.25 x 30mm

3-Speed Transmission #6018074

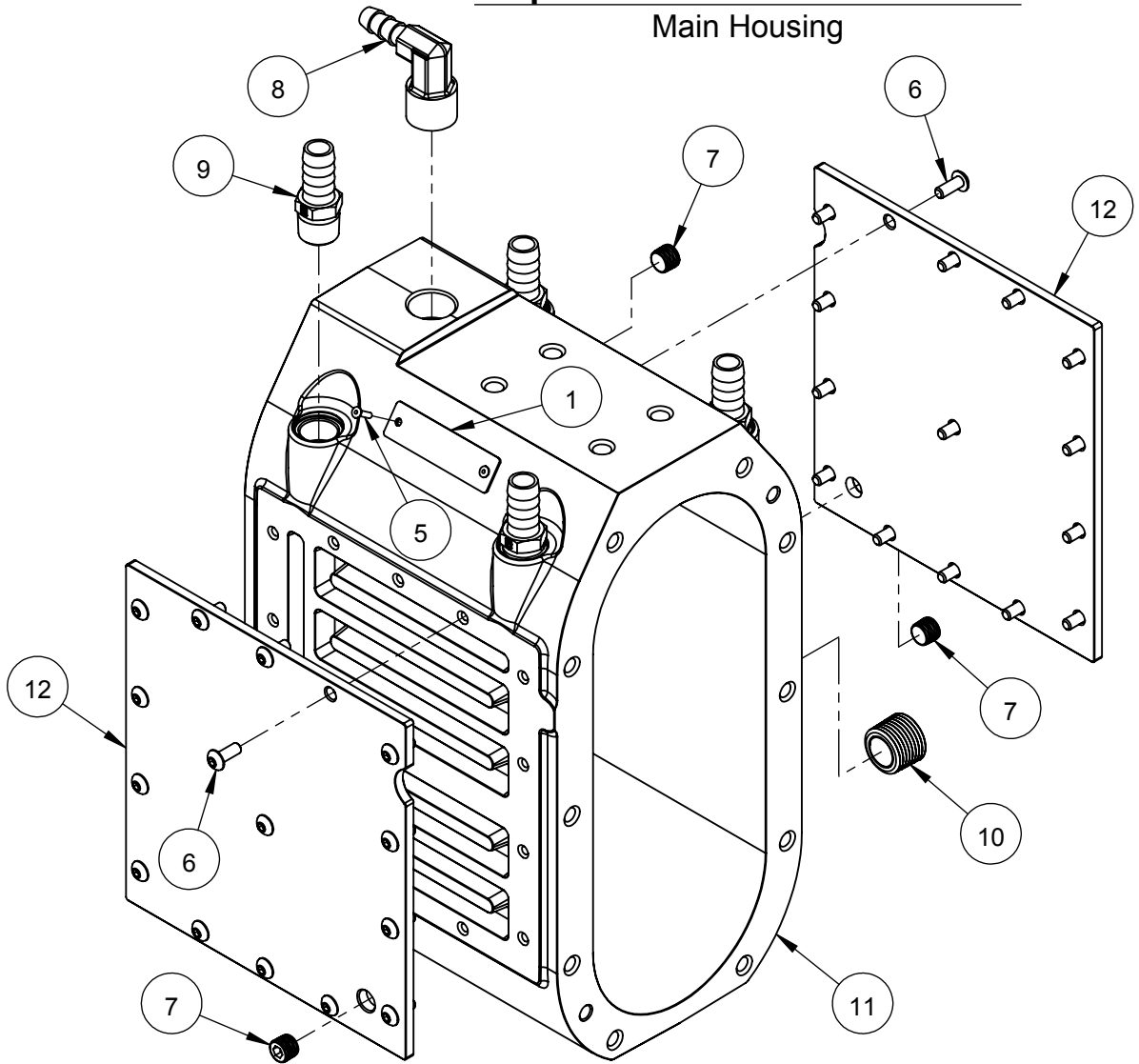


Service Notes:

1. Change lubricating oil & clean breather vent every 100 hours
2. Refill with 2503930 75W90 gear oil to level of 3200153 overflow plug
3. Drain water jackets after each use when temperatures may drop below freezing by removing 3200001 pipe plugs and placing saw in lowest cutting position
4. Replace plugs before next use

3-Speed Transmission #6018074

Main Housing



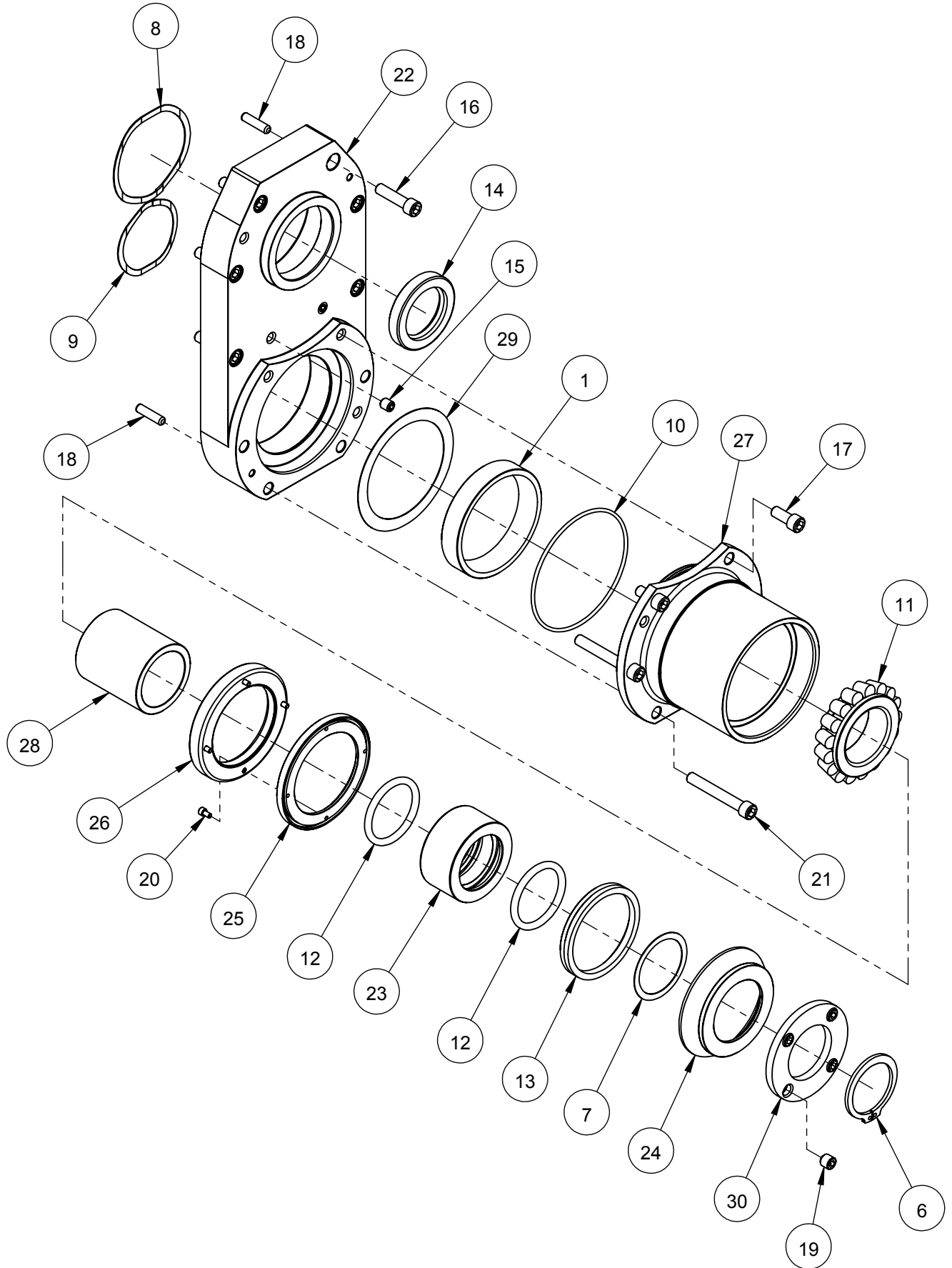
ITEM	PART NO.	QTY	DESCRIPTION
1	1801910	1	Serial Tag, DP 3-Speed
2	2401311	AR	Loctite #567 Thread Sealant
3	2401316	AR	Loctite #262 Red
4	2503802	AR	Permatex Ultra Black
5	2900053	2	Rivet, 3/32" Dia.
6	2901312	30	Cap Screw, Button Hd., #10-24 x 1/2"
7	3200001	3	Plug, 1/8" NPT
8	3200516	1	1/2" X 3/8" Hose Barb
9	3200935	4	Fitting, 3/8" M. Pipe to 1/2" Hose Barb
10	3202334	1	1/2" NPTF Magnetic Pipe Plug
11	6018055	1	Transmission Center Case
12	6018056	2	Heat Exchanger Cover Plate

Assembly Notes:

1. Apply 2401311 thread sealant to all male pipe threads, orient fittings as shown
2. Apply 2401316 Loctite #262 to all cap screw threads
3. Seal all gasket surfaces with 2503802 Permatex Ultra Black

3-Speed Transmission #6018074

Left Hand Side Cover



3-Speed Transmission #6018074

Left Hand Side Cover

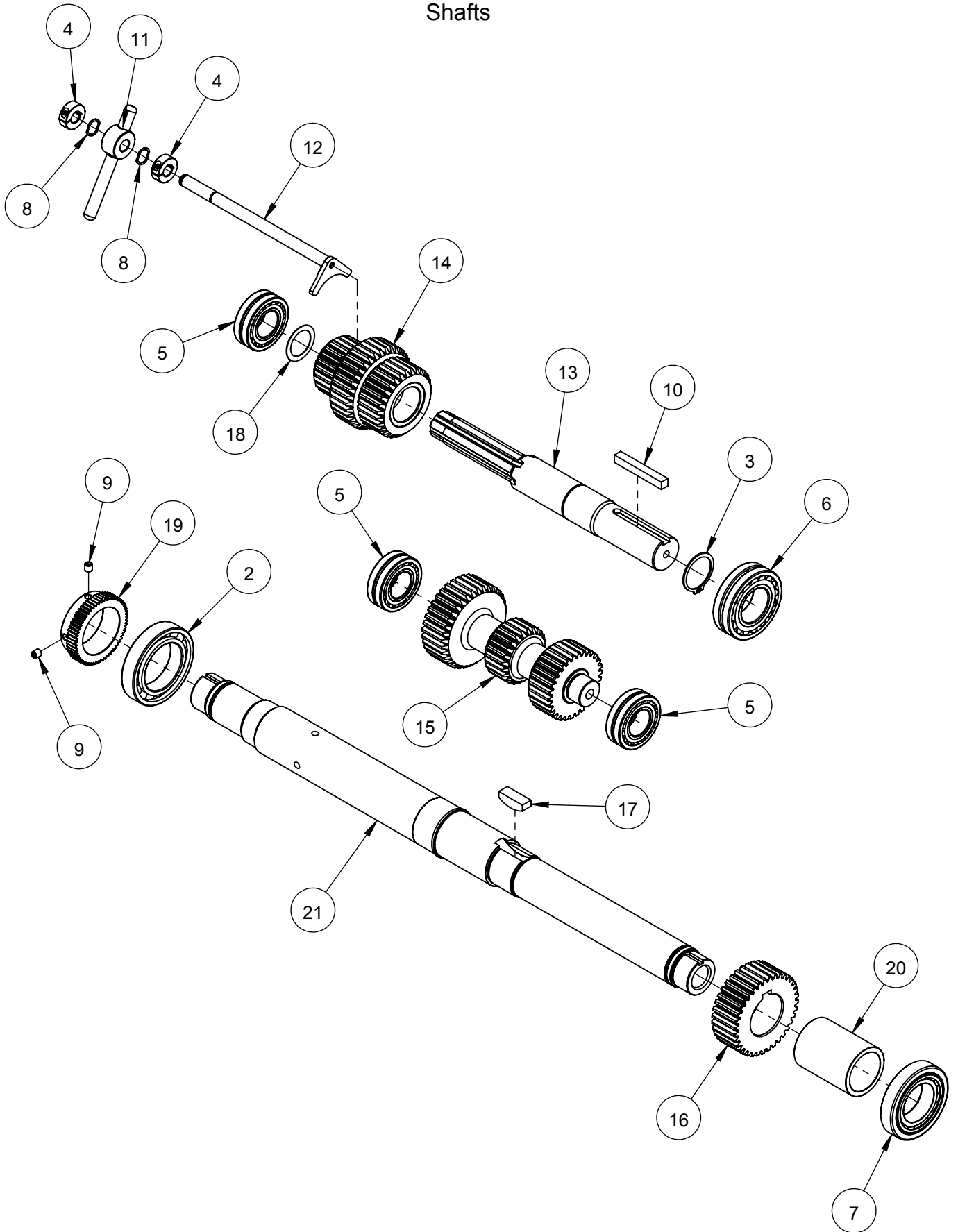
ITEM	PART NO.	QTY	DESCRIPTION
1	2400014	1	Bearing Race
2	2401315	AR	Loctite #242 Blue
3	2401316	AR	Loctite #262 Red
4	2501637	AR	Grease, Black Lithium
5	2503802	AR	Permatex Ultra Black
6	2503837	1	Retaining Ring, Ext 1.750 HD
7	2503858	1	Shim, 45 x 55 x .5mm
8	2503965	1	Wave Washer, 80mm OD
9	2503966	1	Wave Washer, 62mm OD
10	2506433	1	O-Ring, AS568A-154 Viton
11	2506434	1	Tapered Roller Bearing Cone 367
12	2506438	2	O-Ring, AS568A -327
13	2506442	1	Seal, 2-1/2" V-Ring
14	2506443	1	Oil Seal, 40 x 60 x 10mm
15	2900142	2	Set Screw, Soc. Hd., 5/16-18 x 3/8"
16	2900176	6	Cap Screw, Soc. Hd., 5/16-18 x 1-1/4"
17	2900912	2	Cap Screw, Soc. Hd., 5/16-18 x 3/4"
18	2900982	2	Dowel Pin, 1/4" Dia. x 1"
19	2901639	4	Set Screw, Soc. Hd., 3/8-24 x 3/8
20	2903241	4	Cap Screw, Soc. Hd., #6-32 x 1/4"
21	2903243	4	Cap Screw, Soc. Hd., 5/16-18 x 2-1/4"
22	6018057	1	Left Side Transmission Cover
23	6018086	1	Seal Sleeve
24	6018087	1	V-Ring Cover
25	6018088	1	Grooved Seal Plate
26	6018089	1	Oil Seal, 2-9/16 x 3-5/8 x 15/32"
27	6018109	1	LH Bladeshaft Housing
28	6018110	1	Output Shaft Spacer
29	6018140	1	3.160 x 3.925 x .020" Shim
30	6018227	1	Retaining Plate

Assembly Notes:

1. Apply 2401315 Loctite #242 to all set screw threads & 2401316 Loctite #262 to all cap screw threads
2. Lubricate all O-Rings, seal lips and shaft journals with 2501637 lithium grease
3. Seal all gasket surfaces with 2503802 Permatex Ultra Black

3-Speed Transmission #6018074

Shafts



3-Speed Transmission #6018074

Shafts

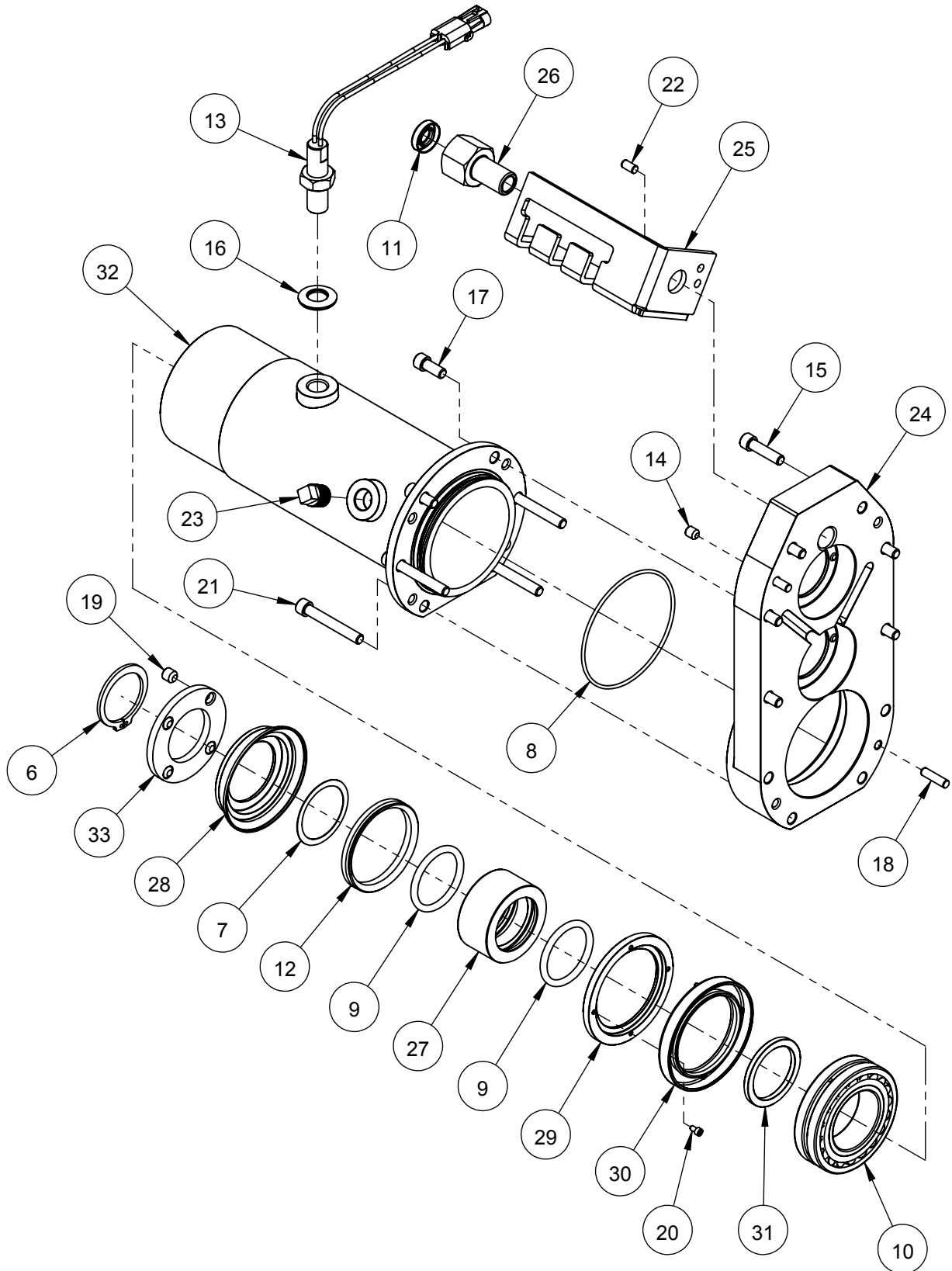
ITEM	PART NO.	QTY	DESCRIPTION
1	2401315	AR	Loctite #242 Blue
2	2503835	1	Ball Brg, 55 x 90 x 18mm /wout seals
3	2503901	1	Retaining Ring, 1-9/16" External
4	2504769	2	1/2" Split Shaft Collar
5	2506436	3	Spherical Roller Brg, 30 x 62 x 20mm
6	2506437	1	Spherical Roller Brg, 40 x 80 x 23mm
7	2506439	1	Brg, Taper Roller, 45 x 85 x 20.75mm
8	2506445	2	1/2" Wave Washer
9	2900142	2	Set Screw, Soc. Hd., 5/16-18 x 3/8"
10	6011058	1	Key, 3/8" Sq. x 2-3/4"
11	6018063	1	Shift Lever Assembly
12	6018066	1	Shift Fork Assembly
13	6018067	1	Input Shaft
14	6018068	1	Cluster Gear
15	6018069	1	Intermediate Shaft
16	6018071	1	Output Gear
17	6018073	1	1/2 Key
18	6018083	1	1-3/16 x .030" Shim
19	6018147	1	Spur Gear, 60T 20P 20PA
20	6018228	1	Output Shaft Spacer
21	6018231	1	DP 3-Speed Blade Shaft

Assembly Notes:

1. Apply 2401315 Loctite #242 to all set screw threads

3-Speed Transmission #6018074

Right Hand Side Cover



3-Speed Transmission #6018074

Right Hand Side Cover

ITEM	PART NO.	QTY	DESCRIPTION
1	2401311	AR	Loctite #567 Thread Sealant
2	2401315	AR	Loctite #242 Blue
3	2401316	AR	Loctite #262 Red
4	2501637	AR	Grease, Black Lithium
5	2503802	AR	Permatex Ultra Black
6	2503837	1	Retaining Ring, Ext 1.750 HD
7	2503858	1	Shim, 45 x 55 x .5mm
8	2506433	1	O-Ring, AS568A-154 Viton
9	2506438	2	O-Ring, AS568A -327
10	2506440	1	Spherical Roller Brg, 50 x 90 x 23mm
11	2506441	1	Oil Seal, 1/2 x 1.00 x 1/4"
12	2506442	1	Seal, 2-1/2" V-Ring
13	2800169	1	Magnetic Sensor w/Jam Nut
14	2900142	4	Set Screw, Soc. Hd., 5/16-18 x 3/8"
15	2900176	6	Cap Screw, Soc. Hd., 5/16-18 x 1-1/4"
16	2900805	1	Sealing Washer, 5/8"
17	2900912	2	Cap Screw, Soc. Hd., 5/16-18 x 3/4"
18	2900982	2	Dowel Pin, 1/4" Dia. x 1"
19	2901639	4	Set Screw, Soc. Hd., 3/8-24 x 3/8
20	2903241	4	Cap Screw, Soc. Hd., #6-32 x 1/4"
21	2903243	4	Cap Screw, Soc. Hd., 5/16-18 x 2-1/4"
22	2903244	1	Dowel Pin, 1/4" Dia. x 1/2"
23	3200153	1	Pipe Plug, 3/8" NPT
24	6018058	1	Right Side Transmission Cover
25	6018064	1	Shift Bracket
26	6018065	1	Shifter Housing
27	6018086	1	Seal Sleeve
28	6018087	1	V-Ring Cover
29	6018088	1	Grooved Seal Plate
30	6018089	1	Oil Seal, 2-9/16 x 3-5/8 x 15/32"
31	6018105	1	Bearing Spacer
32	6018108	1	RH Bladshaft Housing
33	6018227	1	Retaining Plate

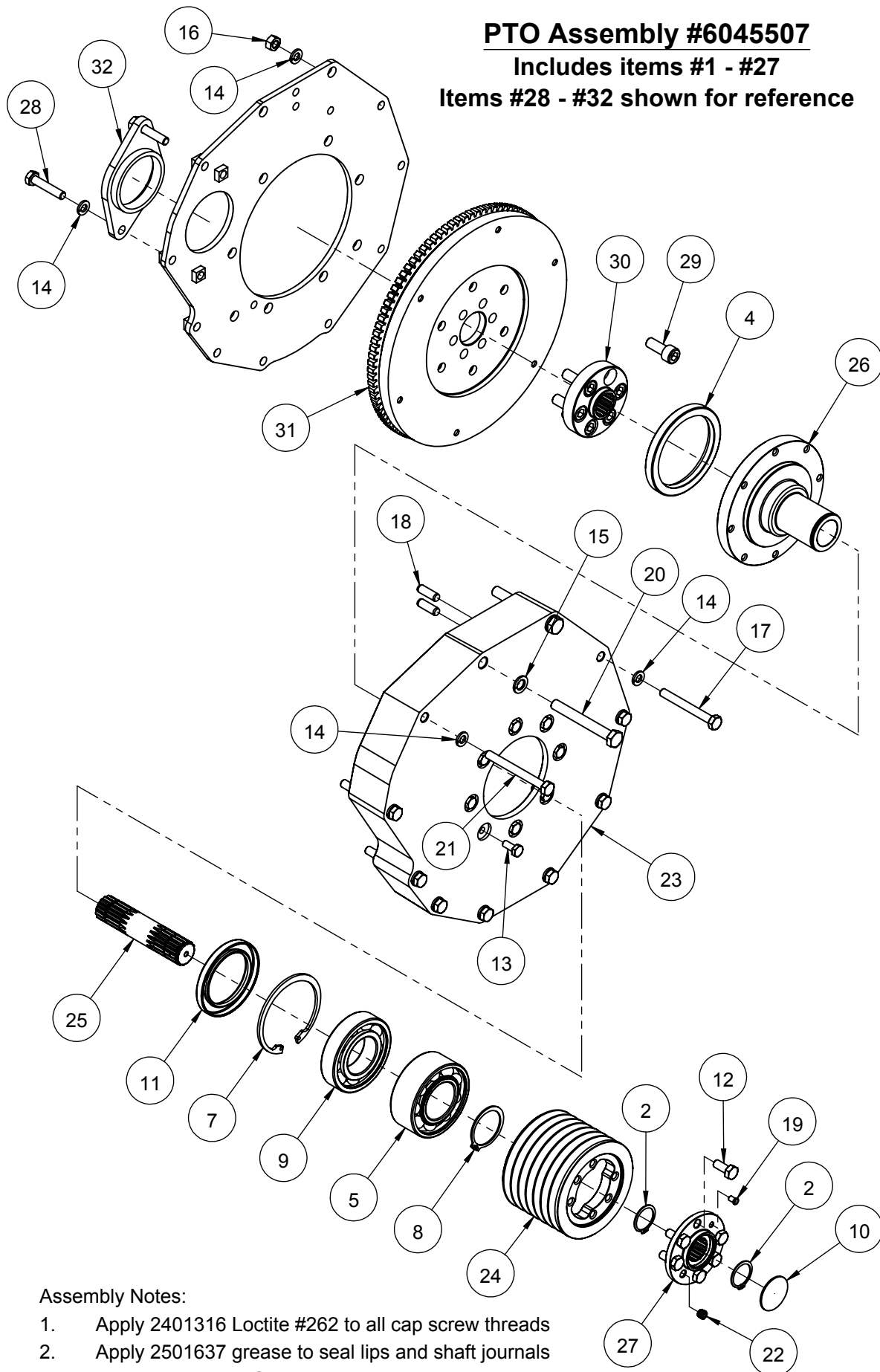
Assembly Notes:

1. Apply 2401311 thread sealant to all male pipe threads and screw threads on 2800169 magnetic sensor
2. Screw sensor into port until tip touches OD of tach gear, back sensor out 1/2 turn and lock in place w/ jam nut
3. Apply 2401315 Loctite #242 to all set screw threads & 2401316 Loctite #262 to all cap screw threads
4. Lubricate all O-Rings, seal lips and shaft journals with 2501637 lithium grease
5. Seal all gasket surfaces with 2503802 Permatex Ultra Black

PTO Assembly #6045507

Includes items #1 - #27

Items #28 - #32 shown for reference



Assembly Notes:

1. Apply 2401316 Loctite #262 to all cap screw threads
2. Apply 2501637 grease to seal lips and shaft journals
3. Fill assembled PTO with 3oz 2501637 grease
4. Lubricate splines with 2503829 Anti-Seize

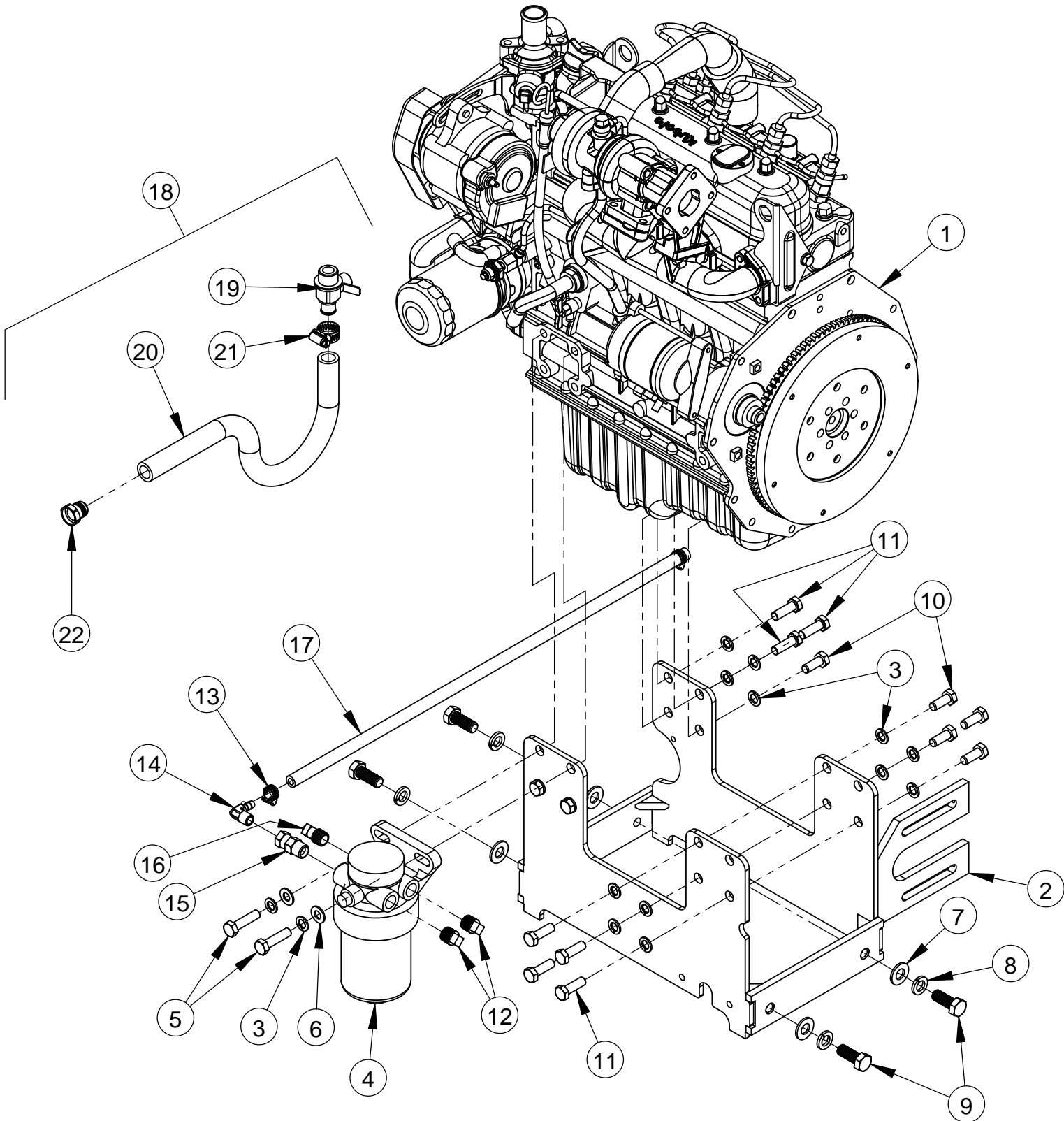
PTO Assembly #6045507
Includes items #1 - #27
Items #28 - #32 shown for reference

ITEM	PART NO.	DESCRIPTION	QTY
1	2401316	Loctite #262 Red	AR
2	2500711	Retaining Ring, 1"	2
3	2501637	Grease, Black Lithium	3oz
4	2502372	Grease Seal, 3 x 3-3/4 x 3/8"	1
5	2502409	Ball Brg, Dbl Row, 40 x 80 x 1.1875	1
6	2503829	Loctite Anti-Seize	AR
7	2503900	Retaining Ring, 3-5/32" Internal	1
8	2503901	Retaining Ring, 1-9/16" External	1
9	2503961	Ball Bearing, 40 x 80 x 18mm Open	1
10	2503976	Plug, Expansion 1-7/16"	1
11	2503977	Seal, 55 x 80 x 8mm	1
12	2900019	Cap Screw, Hex Hd., 5/16-18 x 3/4"	6
13	2900023	Cap Screw, Hex Hd., 1/4-20 x 5/8"	8
14	2900031	Lock Washer, 5/16" Split	14
15	2900321	Lock Washer, M10 Split	2
16	2900343	Hex Nut, M8	3
17	2900777	Cap Screw, Hex Hd., M8 x 70mm	8
18	2900791	Dowel Pin, 8mm Dia x 24mm	2
19	2900793	Grease Fitting, 3/16" Flush Press-in	1
20	2901022	Cap Screw, Hex Hd., M10 x 1.25 x 80mm	2
21	2901141	Cap Screw, Hex Hd., M8 x 80mm	1
22	3201727	1/16" NPTF Pipe Plug	1
23	6045025	Machined PTO Cover	1
24	6045503	Sheave, 3V 4.12" 7 Groove PTO	1
25	6045504	Splined Drive Shaft	1
26	6045505	Shaft Support Sleeve	1
27	6045506	Splined End Plate	1
28	2900792	Cap Screw, Hex Hd., M8 x 40mm	2
29	2900807	Cap Screw, Soc. Hd., M10-1.25 x 25mm	6
30	6045005	Coupling Hub	1
31	6045011	CC4140D Flywheel	1
32	6045050	Starter Spacer	1

Service Notes:

1. Relubricate PTO with 1 oz grease every 25hrs

Engine Assembly #6045386

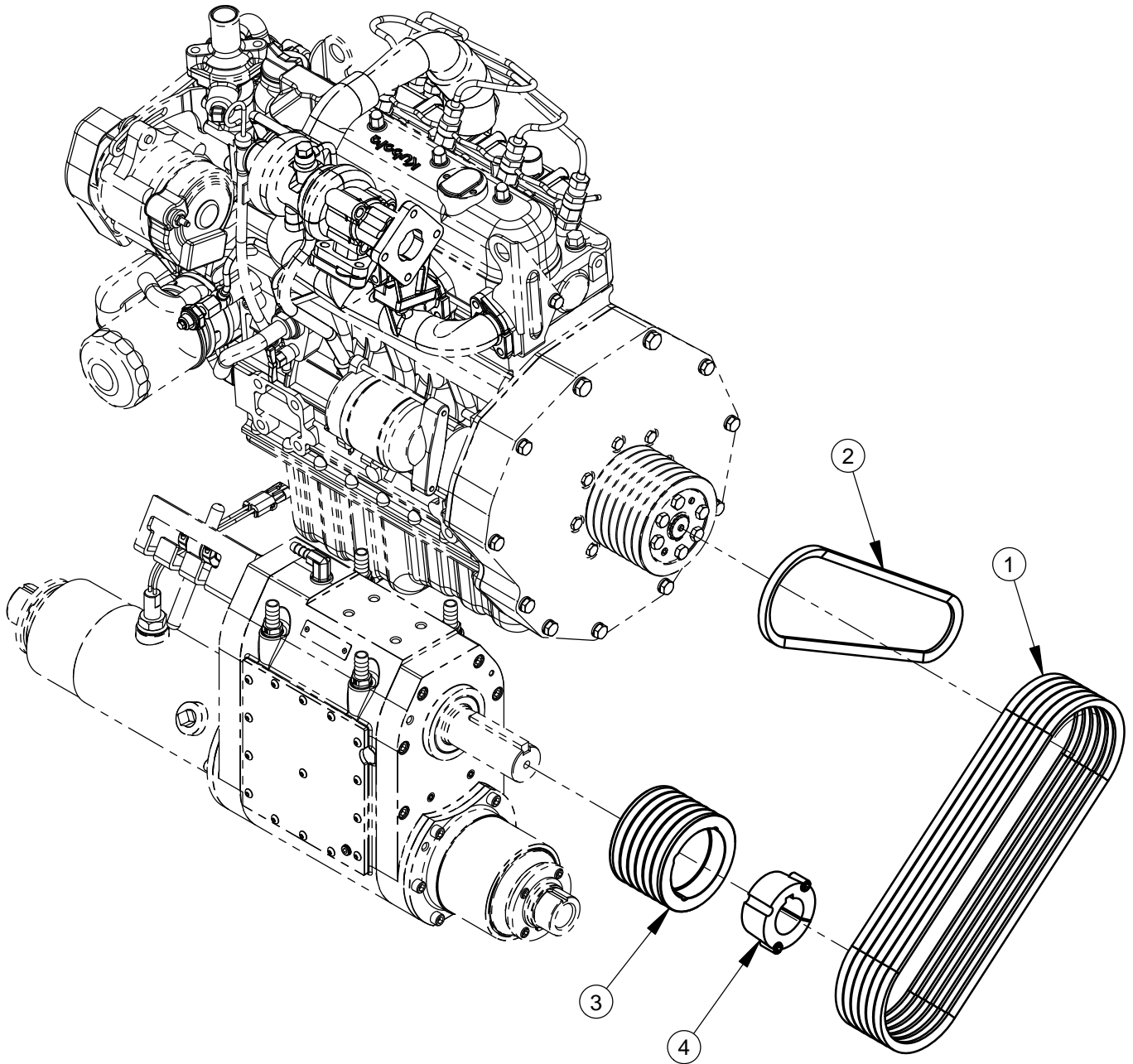


Engine Assembly #6045386

ITEM	PART No.	QTY.	DESCRIPTION
1	2600461	1	Kubota V1505TE-1 Engine
2	6045028	1	Engine Mount Weldment
3	2900321	16	Lock Washer, M10 Split
4	2705002	1	Water Separator/Fuel Filter
5	2900799	2	Cap Screw, Hex Hd., M10-1.25 x 40mm
6	2900014	2	Flat Washer, 3/8" SAE
7	2900058	4	Flat Washer, 1/2" SAE
8	2901534	4	Lock Washer, 1/2" Split, GR8
9	2901533	4	Cap Screw, Hex Hd., 1/2-13 x 1-1/4"
10	2900749	7	Cap Screw, Hex Hd., M10-1.25 x 25mm
11	2900870	7	Cap Screw, Hex Hd., M10-1.25 x 30mm
12	3200153	2	Pipe Plug, 3/8" NPT
13	3200062	2	Hose Clamp #4
14	3200599	1	1/4"MTP to 5/16"90deg Hose Barb
15	3200058	1	Adapter, 3/8" MPT to 1/4" FPT
16	3201385	1	Fitting, 3/8" MPT to 5/16" Hose Barb
17	6013096	1	Fuel Line Hose 5/16 ID x 25"
18	6045309	1	Oil Drain Valve Assembly

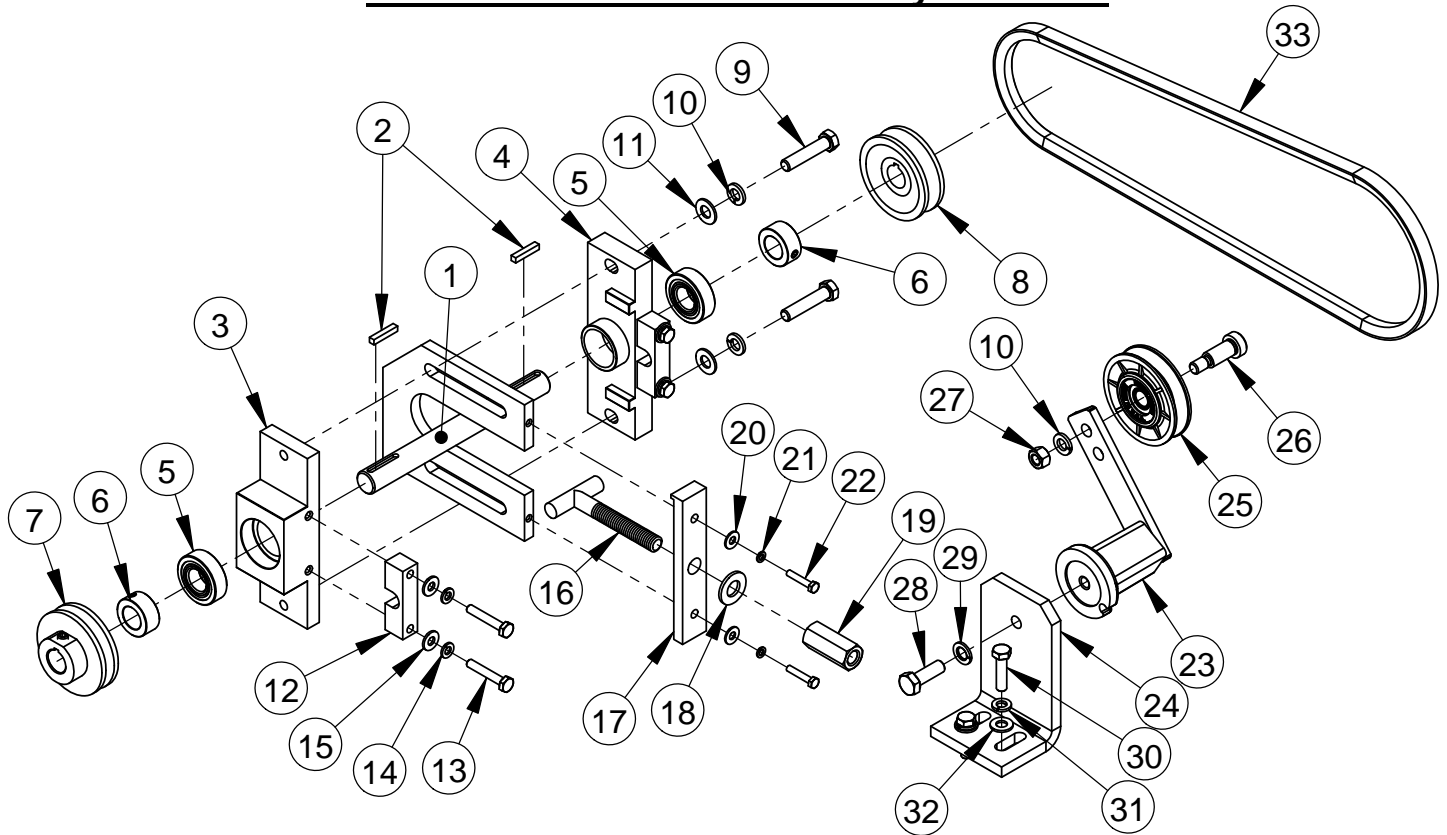
Oil Drain Valve Assembly #6045309			
ITEM	PART NO.	QTY.	DESCRIPTION
19	3200813	1	Oil Drain Valve, M22x1.5
20	6045196	1	Oil Drain Hose, 5/8" I.D. x 18"
21	3200016	1	Hose Clamp #8
22	3201728	1	Hose Plug

Belt Drive Assembly #6045385



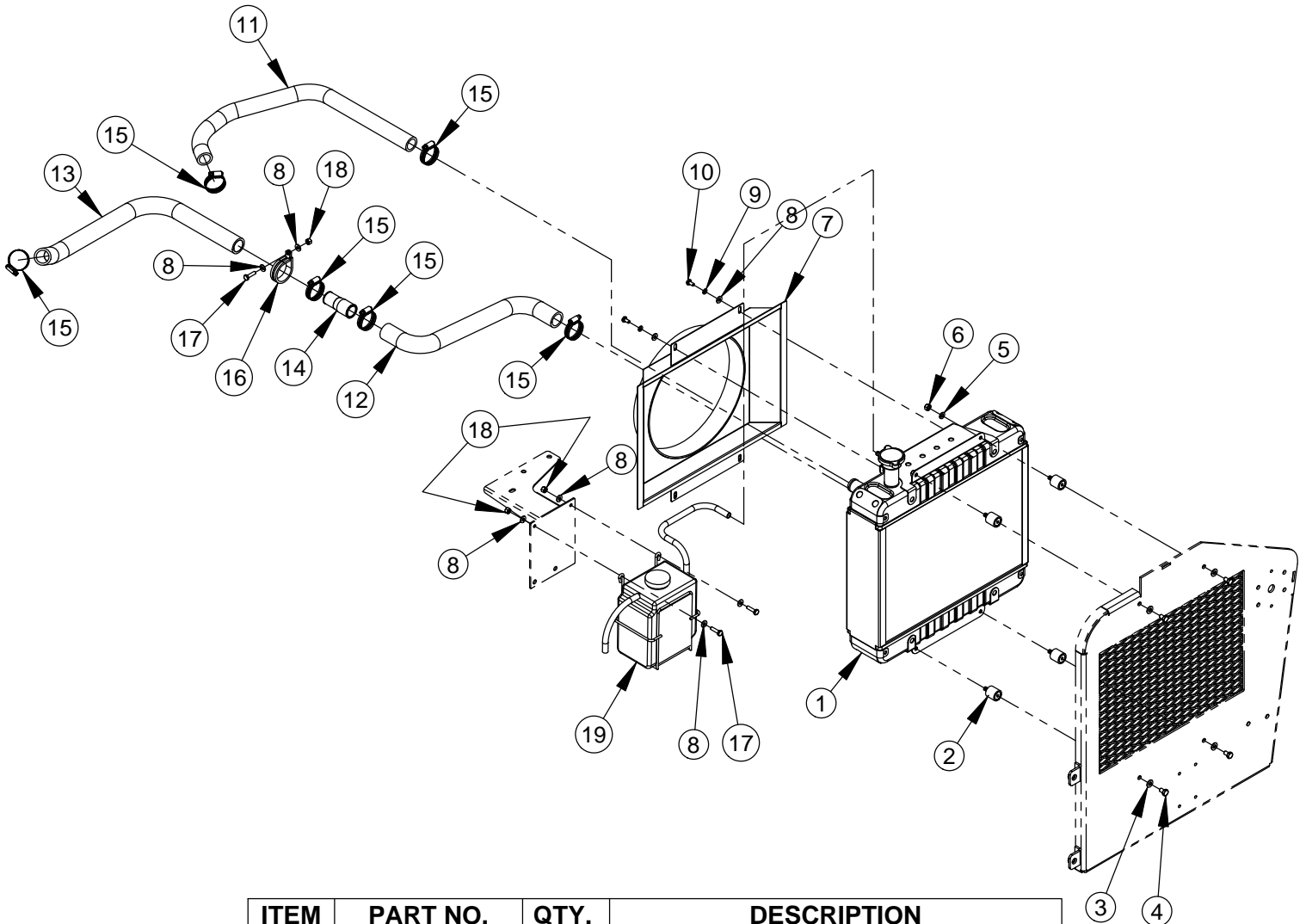
ITEM	PART NO.	QTY.	DESCRIPTION
1	2503875	6	V-Belt, 3VX366
2	2500820	1	V-Belt, 3VX280
3	6045158	1	Sheave, 4.00-3V-6 Groove, 2012
4	2503811	1	Taper Bushing, 1-1/2" w/Setscrews

Differential Jackshaft Assembly #6045395



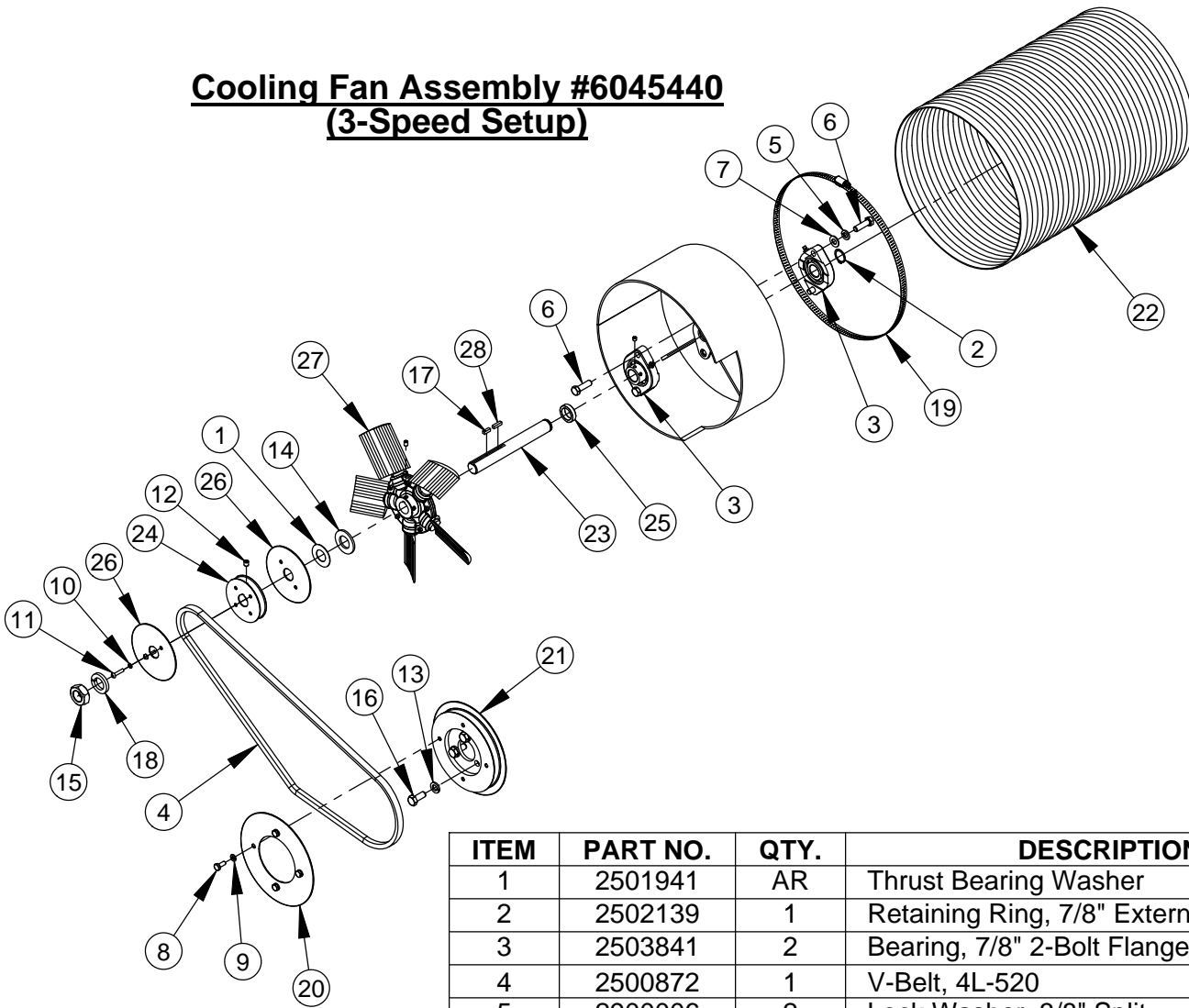
ITEM	PART NO.	QTY.	DESCRIPTION
1	6045080	1	Differential Jackshaft
2	6010170	2	Key, 3/16" Sq. x 1"
3	6045452	1	Outer Tension Block
4	6045453	1	Inner Tension Block
5	2502841	2	Ball Bearing, .75 x 1.63 x .50, Double Sealed
6	2400615	2	Set Collar, 3/4"
7	6045199	1	Pulley, 2.75" Single Groove w/Setscrews
8	2503202	1	Pulley, 2.75" Single Groove w/Setscrews
9	2900047	2	Cap Screw, Hex Hd., 3/8-16 x 1-3/4"
10	2900006	3	Lock Washer, 3/8" Split
11	2900014	2	Flat Washer, 3/8" SAE
12	6045454	2	Tension Block Clamp
13	2900048	4	Cap Screw, Hex Hd., 1/4-20 x 1-1/2"
14	2900024	4	Lock Washer, 1/4" Split
15	2900009	4	Flat Washer, 1/4" SAE
16	2900632	1	T-Bolt, 1/2-13
17	6045455	1	Static Tension Plate
18	2900058	1	Flat Washer, 1/2" SAE
19	2900683	1	Coupling Nut, 1/2-13 x 1-3/4
20	2900016	2	Flat Washer, #10 USS
21	2900038	2	Lock Washer, #10 Split
22	2900054	2	Machine Screw, Hex Hd., #10-24 x 1"
23	2502666	1	Idler Tensioner
24	6045074	1	Differential Belt Tensioner Mount
25	2502669	1	Idler Pulley, 3" V-Type
26	2900587	1	Shoulder Screw, 1/2" x 1" (3/8-16)
27	2900033	1	Hex Nut, 3/8-16
28	2900223	1	Cap Screw, Hex Hd., M10-1.5 x 30mm
29	2900321	1	Lock Washer, M10 Split
30	2900217	2	Cap Screw, Hex Hd., 5/16-18 x 1-1/4"
31	2900031	2	Lock Washer, 5/16" Split
32	2900022	2	Flat Washer, 5/16" SAE
33	2503613	1	V-Belt, AX38

Radiator Assembly #6045037



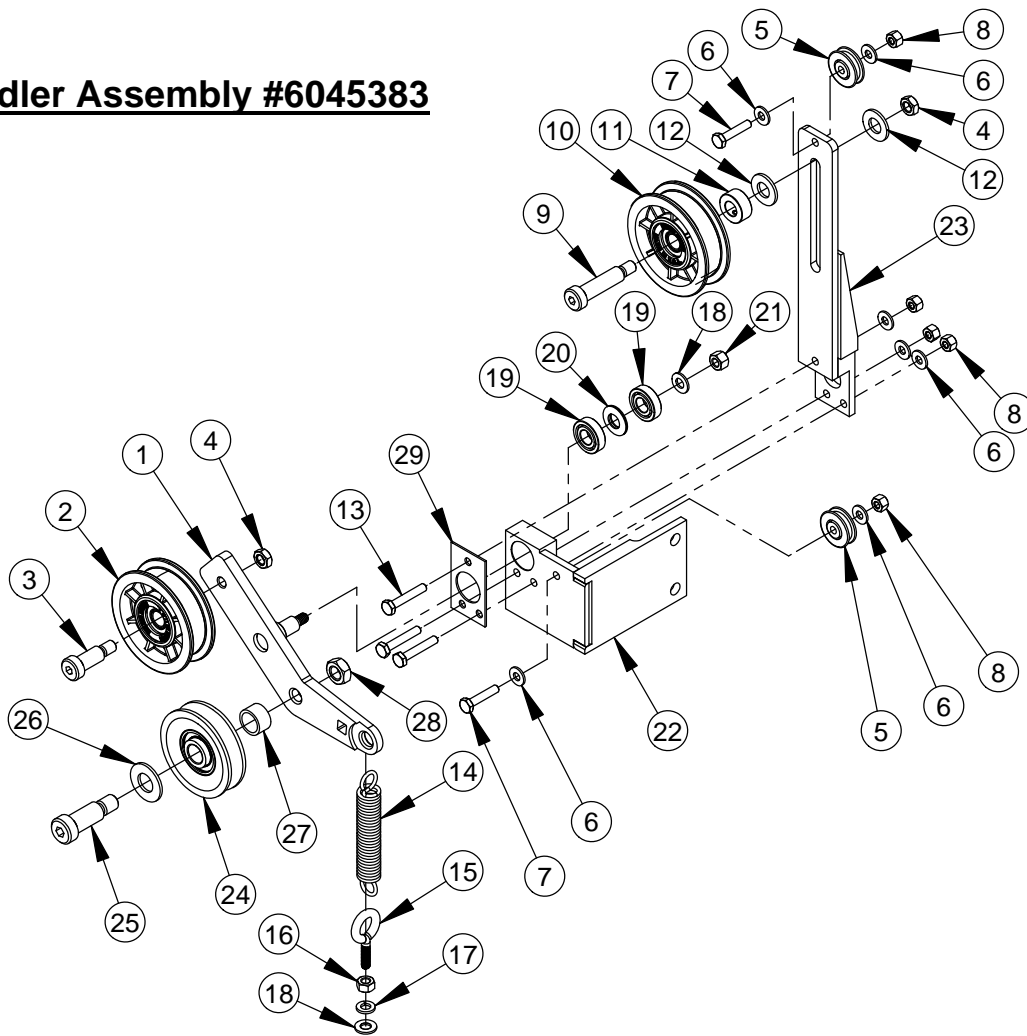
ITEM	PART NO.	QTY.	DESCRIPTION
1	2505038	1	Radiator Assembly
2	2503917	4	Vibration Isolator
3	2900022	4	Flat Washer, 5/16" SAE
4	2900958	4	Cap Screw, Hex Hd., 5/16-18 x 1/2"
5	2900031	4	Lock Washer, 5/16" Split
6	2900141	4	Hex Nut, 5/16-18
7	6045077	1	Fan Shroud Assembly
8	2900009	10	Flat Washer, 1/4" SAE
9	2900024	4	Lock Washer, 1/4" Split
10	2900082	4	Cap Screw, Hex Hd., 1/4-20 x 1/2"
11	6045102	1	Upper Radiator Hose
12	3202129	1	Lower Radiator Hose
13	3202131	1	Lower Radiator Hose
14	6045098	1	Hose Connection Sleeve
15	3400615	6	Hose Clamp, #20
16	2503916	1	Steel Loop Strap, 1-3/4"
17	2900008	3	Cap Screw, Hex Hd., 1/4-20 x 1"
18	2900010	3	Lock Nut, 1/4-20 Nylon
19	2502624	1	Overflow Tank Assembly

Cooling Fan Assembly #6045440
(3-Speed Setup)



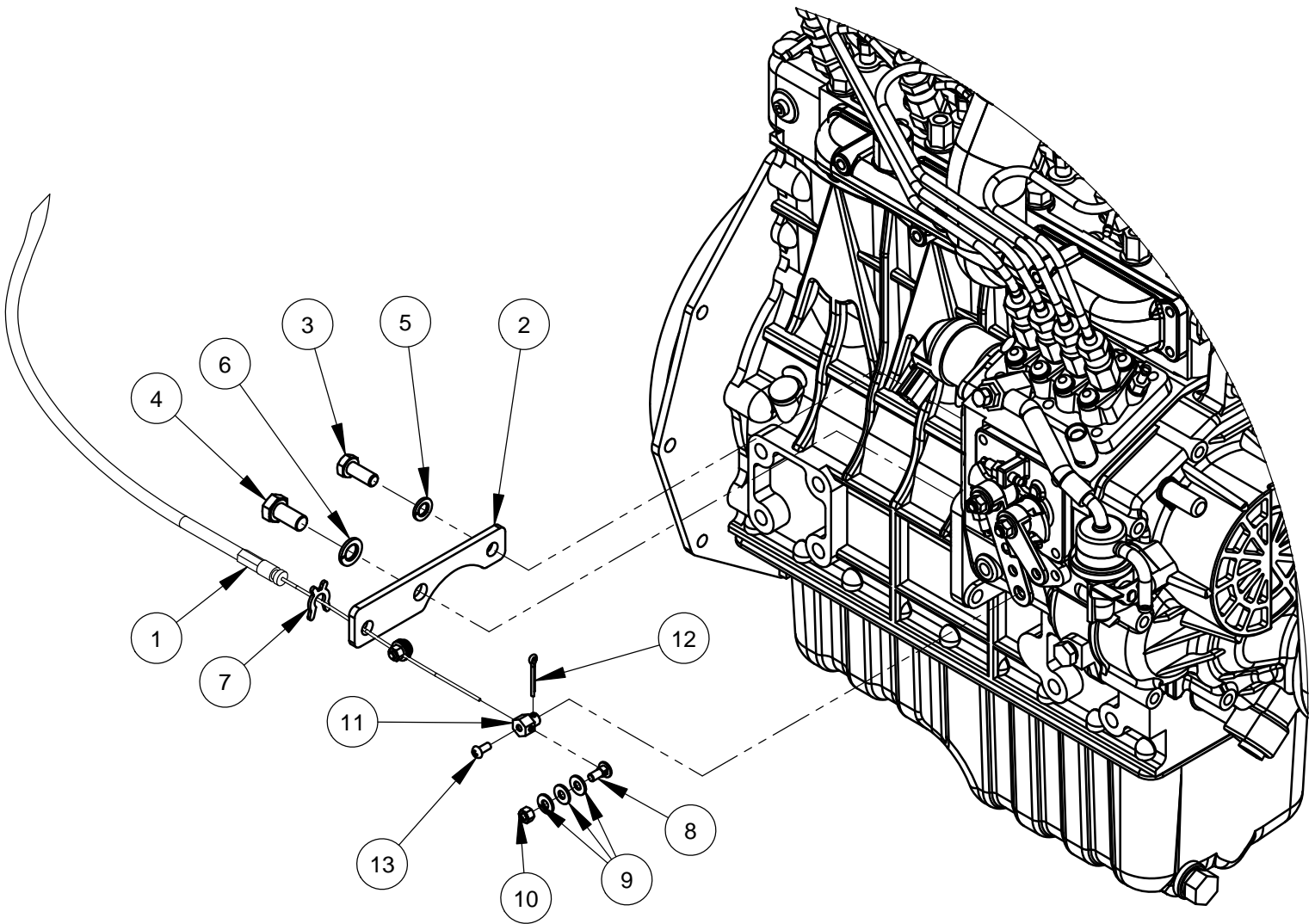
ITEM	PART NO.	QTY.	DESCRIPTION
1	2501941	AR	Thrust Bearing Washer
2	2502139	1	Retaining Ring, 7/8" External
3	2503841	2	Bearing, 7/8" 2-Bolt Flange
4	2500872	1	V-Belt, 4L-520
5	2900006	2	Lock Washer, 3/8" Split
6	2900013	4	Cap Screw, Hex Hd., 3/8-16 x 1-1/4"
7	2900014	2	Flat Washer, 3/8" SAE
8	2900023	4	Cap Screw, Hex Hd., 1/4-20 x 5/8"
9	2900024	4	Lock Washer, 1/4" Split
10	2900038	2	Lock Washer, #10 Split
11	2900165	2	Machine Screw, Rd. Hd., #10-24 x 7/8"
12	2900142	1	Set Screw, Soc. Hd., 5/16-18 x 3/8"
13	2900238	3	Lock Washer, 7/16" Split
14	2900425	AR	Flat Washer, 7/8" SAE
15	2900626	1	Jam Nut, 7/8-14
16	2900749	3	Cap Screw, Hex Hd., M10-1.25 x 25mm
17	2900919	1	Key, 3/16" Sq. x 9/16"
18	2901110	1	Lock Washer, 7/8" Split
19	3202320	1	Hose Clamp, 2-1/16" - 17"
20	6045126	1	7" Pulley Guard
21	6045127	1	Pulley Assembly, 4L x 6"
22	6045095	1	Vent Duct, 12" OD x 18"
23	6045332	1	Fan Shaft
24	6045334	1	Pulley, 4L x 3-1/4"
25	6045335	1	Fan Shaft Spacer
26	6045336	2	4.25" Pulley Guard
27	6045337	1	Fan Assembly
28	6048018	1	Key, 3/16" Sq. x 3/4"

Fan Idler Assembly #6045383



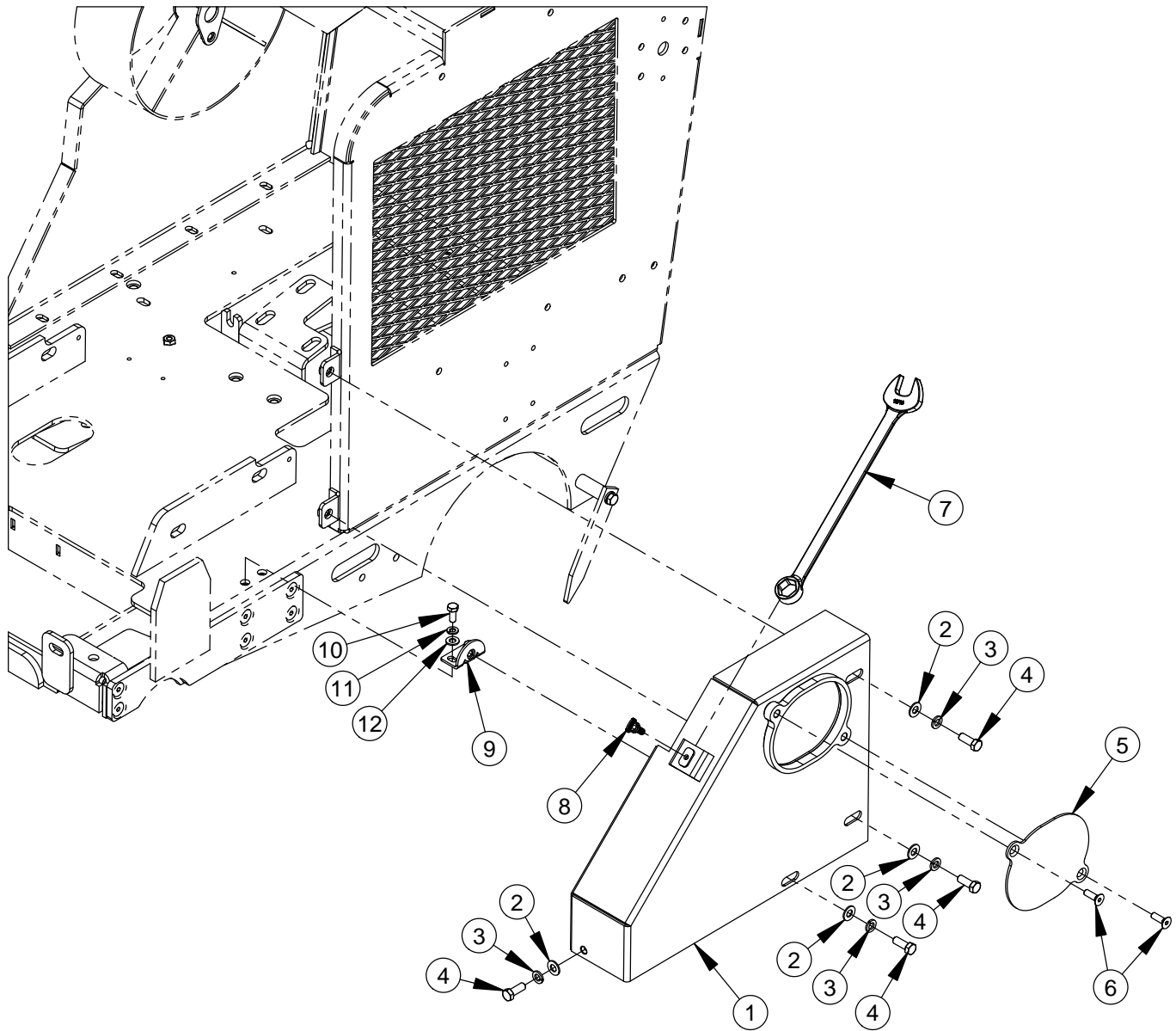
ITEM	PART NO.	QTY.	DESCRIPTION
1	6045380	1	Idler Pivot Arm Weldment
2	2503921	1	Idler Pulley, 3" Flat Type
3	2900587	1	Shoulder Screw, 1/2" x 1" (3/8-16)
4	2900782	2	Jam Nut, 3/8-16
5	2500155	2	Cable Pulley, 1-1/4"
6	2900009	7	Flat Washer, 1/4" SAE
7	2900052	2	Cap Screw, Hex Hd., 1/4-20 x 1-1/4"
8	2900010	5	Lock Nut, 1/4-20 Nylon
9	2900260	1	Shoulder Screw, 1/2" x 1-3/4" (3/8"-16)
10	2503928	1	Idler Pulley, 3" Flat Type /w Bushing
11	2500007	1	Set Collar, 1/2" with Set Screw
12	2900058	2	Flat Washer, 1/2" SAE
13	2900048	3	Cap Screw, Hex Hd., 1/4-20 x 1-1/2"
14	2503941	1	Extension Spring, 3/4 x .112 x 4.50"
15	2900720	1	Eyebolt, 5/16-18 x 1"
16	2900141	1	Hex Nut, 5/16-18
17	2900031	1	Lock Washer, 5/16" Split
18	2900022	2	Flat Washer, 5/16" SAE
19	2500696	2	Bearing, 1/2 x 1-1/8 x 5/16
20	2900665	2	Belleville Washer, 1/2"
21	2900039	1	Lock Nut, 5/16-18 Nylon
22	6045483	1	Fan Idler Mounting Weldment
23	6045450	1	Top Idler Mounting Weldment
24	2503635	1	Idler V-Pulley, 3"
25	2900663	1	Shoulder Screw, 5/8" x 1.25" (1/2-13)
26	2900002	1	Flat Washer, 5/8" SAE
27	6047931	1	Spacer Tube 7/8 x 1/2
28	2900129	1	Jam Nut, 1/2-13
29	6045460	1	Tie Plate, Idler Mount

Throttle Cable Assembly #6045044
(Includes Items #1 - #10)



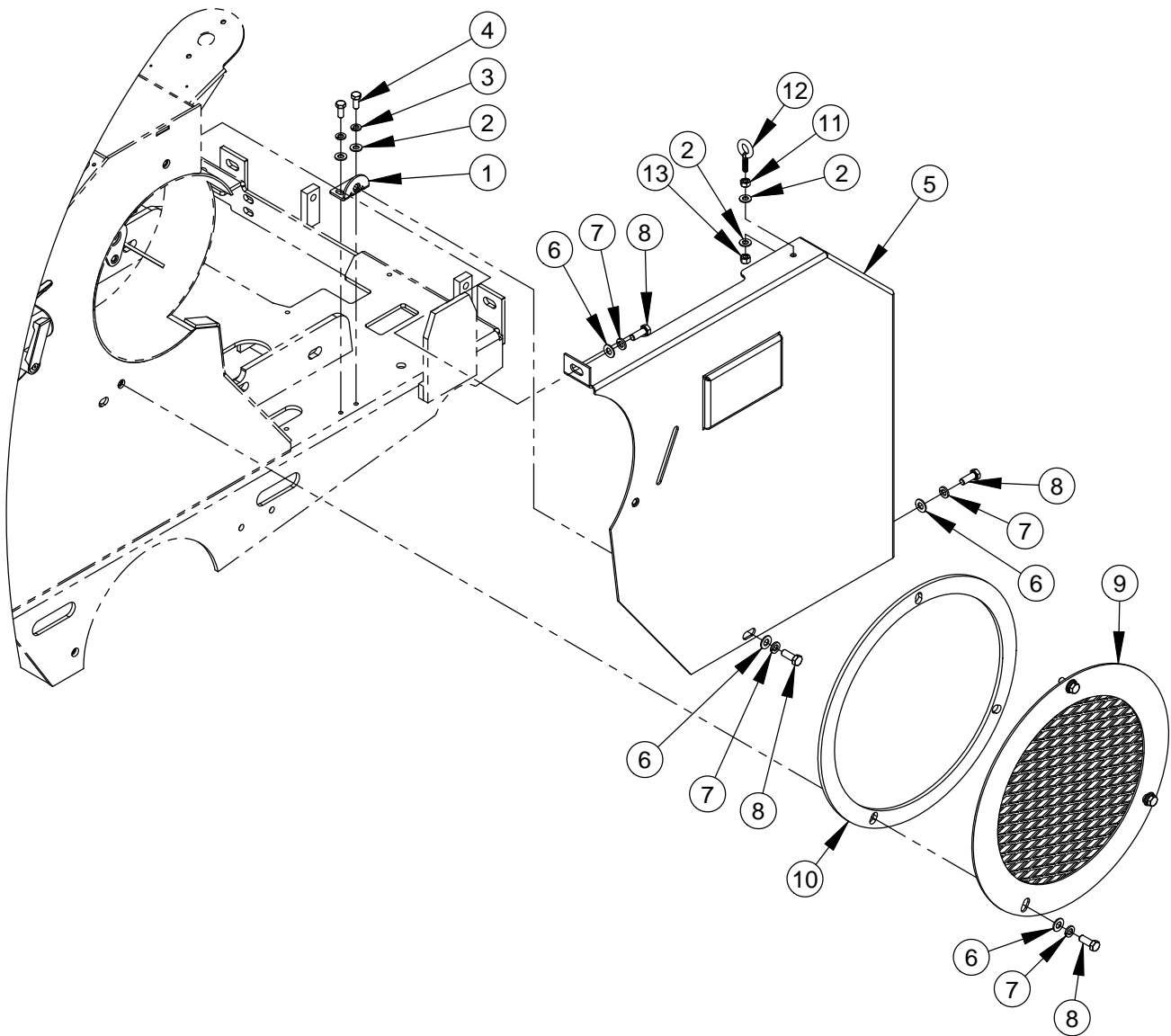
ITEM	PART NO.	QTY.	DESCRIPTION
1	2503183	1	Vernier Throttle Cable
2	6045115	1	Throttle Bracket
3	2900329	1	Cap Screw, Hex Hd., M8-1.25 x 20mm
4	2901021	1	Cap Screw, Hex Hd., M10-1.25 x 20mm
5	2900763	1	Lock Washer, M8 Split
6	2900321	1	Lock Washer, M10 Split
7	2901135	1	1/4" 'X' Washer
8	2503945	2	Cable Anchor
9	2900016	6	Flat Washer, #10 USS
10	2900301	2	Lock Nut, M5-0.8 Nylon Insert
11	2503918	1	Wire Stop Pivot Pin
12	2900034	1	Cotter Pin, 3/32" x 3/4"
13	2900114	1	Machine Screw, Rd. Hd., #8-32 x 3/8"

Left Belt Guard Assembly #6045377



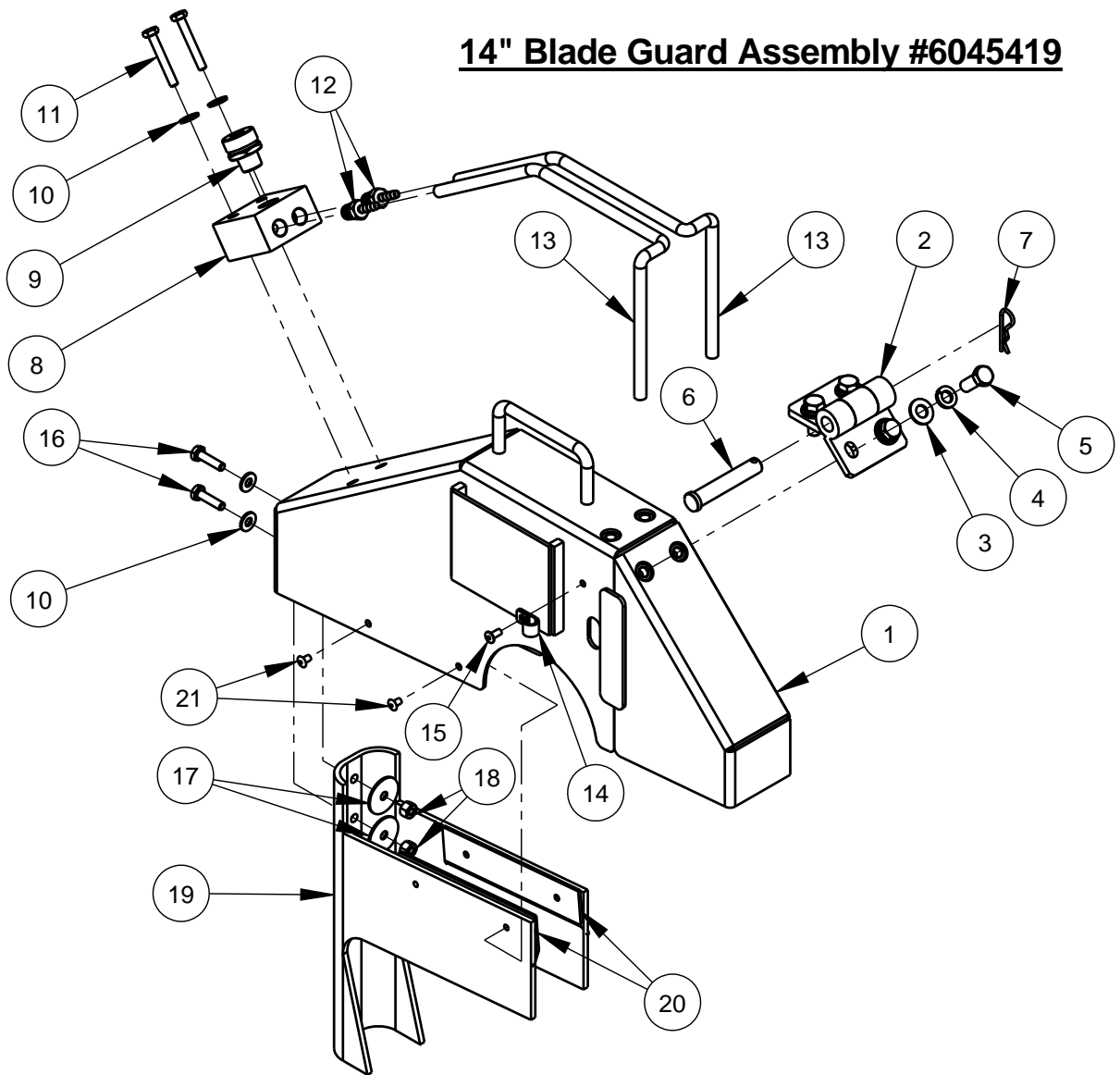
ITEM	PART NO.	QTY.	DESCRIPTION
1	6045370	1	Belt Guard
2	2900014	4	Flat Washer, 3/8" SAE
3	2900006	4	Lock Washer, 3/8" Split
4	2900005	4	Cap Screw, Hex Hd., 3/8-16 x 1"
5	6045448	1	PTO Cover Plate
6	2900174	2	Cap Screw, Flat Hd., 5/16-18 x 1"
7	2503704	1	Wrench, 15/16" Combination
8	2900270	1	Thumb Screw, 5/16-18 x 3/4"
9	6010558	1	Guard Mounting Tab, 3/8-16
10	2900019	2	Cap Screw, Hex Hd., 5/16-18 x 3/4"
11	2900031	2	Lock Washer, 5/16" Split
12	2900022	2	Flat Washer, 5/16" SAE

Right Belt Guard Assembly #6045378



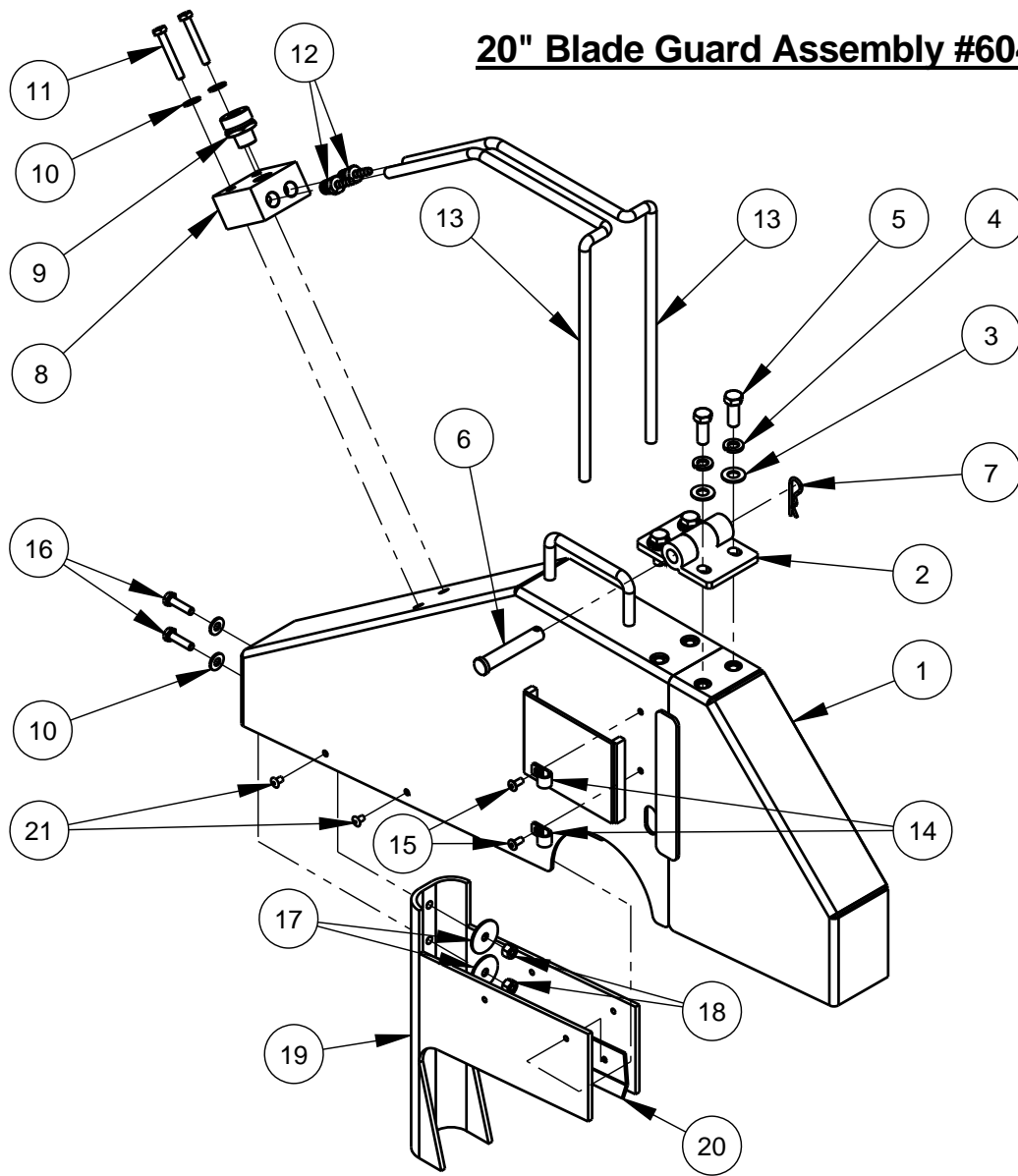
ITEM	PART NO.	QTY.	DESCRIPTION
1	6010558	1	Guard Mounting Tab, 3/8-16
2	2900022	4	Flat Washer, 5/16" SAE
3	2900031	2	Lock Washer, 5/16" Split
4	2900019	2	Cap Screw, Hex Hd., 5/16-18 x 3/4"
5	6045371	1	Belt Guard Assembly - Right Side
6	2900014	6	Flat Washer, 3/8" SAE
7	2900006	6	Lock Washer, 3/8" Split
8	2900005	6	Cap Screw, Hex Hd., 3/8-16 x 1"
9	6045143	1	Fan Cover Weldment
10	6045188	1	Fan Cover Gasket
11	2900141	1	Hex Nut, 5/16-18
12	2900720	1	Eyebolt, 5/16-18 x 1"
13	2900039	1	Lock Nut, 5/16-18 Nylon

14" Blade Guard Assembly #6045419



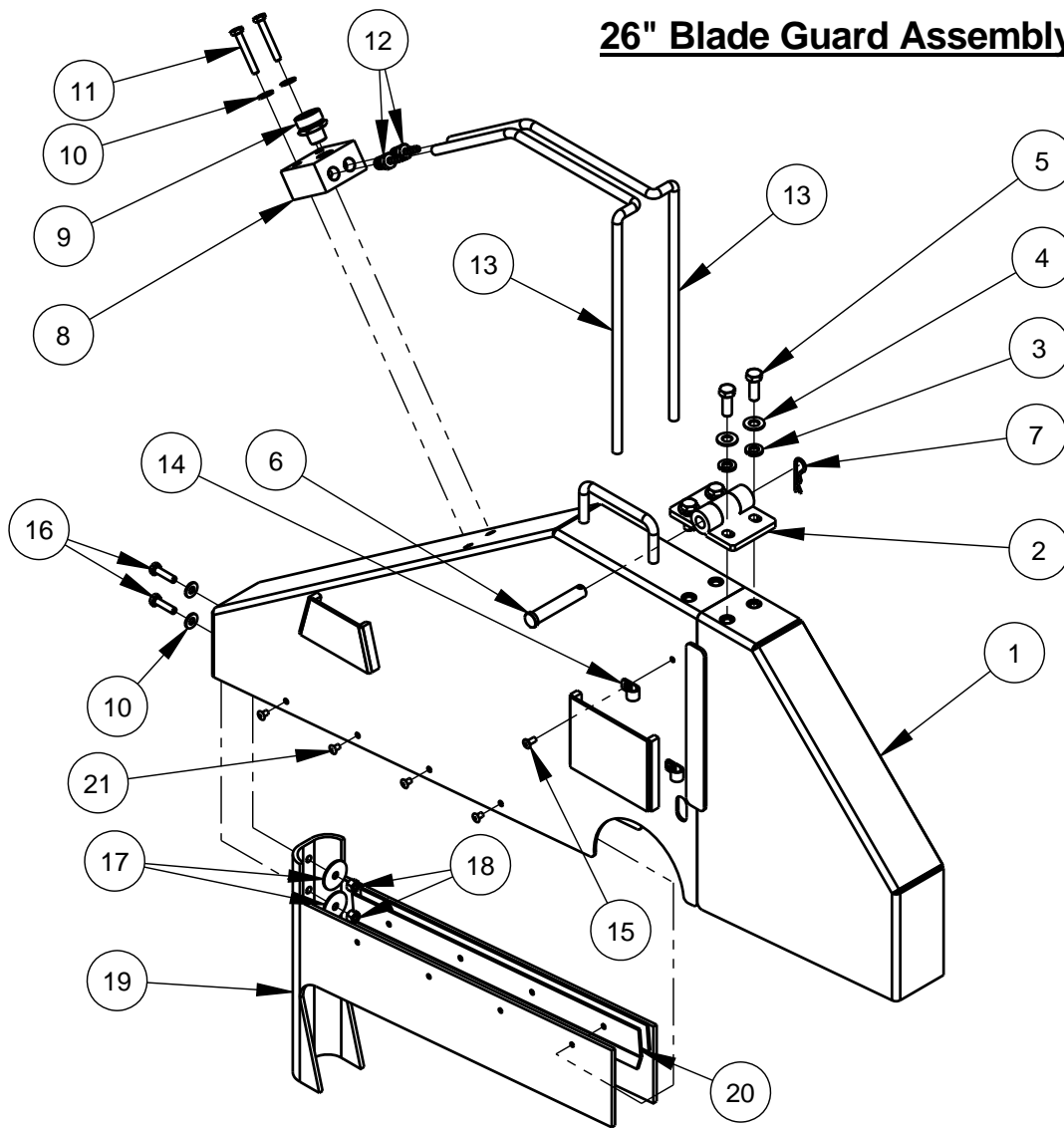
ITEM	PART NO.	QTY.	DESCRIPTION
1	6045424	1	14" Blade Guard Only
2	6041135	1	Hinge
3	2900014	4	Flat Washer, 3/8" SAE
4	2900006	4	Lock Washer, 3/8" Split
5	2900005	4	Cap Screw, Hex Hd., 3/8-16 x 1"
6	2900607	1	Clevis Pin, 1/2" x 2-3/4"
7	2900262	1	Hairpin Cotter
8	6045162	1	Water Manifold
9	3200002	1	Fitting, 3/4" M. Pipe to 3/4" M. Garden
10	2900009	4	Flat Washer, 1/4" SAE
11	2900392	2	Cap Screw, Hex Hd., 1/4-20 x 1-3/4"
12	3200019	2	Fitting, 1/4" NPSM Straight Pipe to 1/4" Hose Barb
13	6045110	2	Hose, 1/4" x 3/8" x 15"
14	3200039	2	Clamp, 3/8"
15	2900201	2	Rivet, 3/16" Dia.
16	2900008	2	Cap Screw, Hex Hd., 1/4-20 x 1"
17	2900083	2	Fender Washer, 1/4" x 1-1/4"
18	2900010	2	Lock Nut, 1/4-20 Nylon
19	6045178	1	Splash Flap (CC4144D)
20	6045179	2	SPLASH FLAP RETAINING STRIP
21	2900071	4	Rivet, 3/16"

20" Blade Guard Assembly #6045420



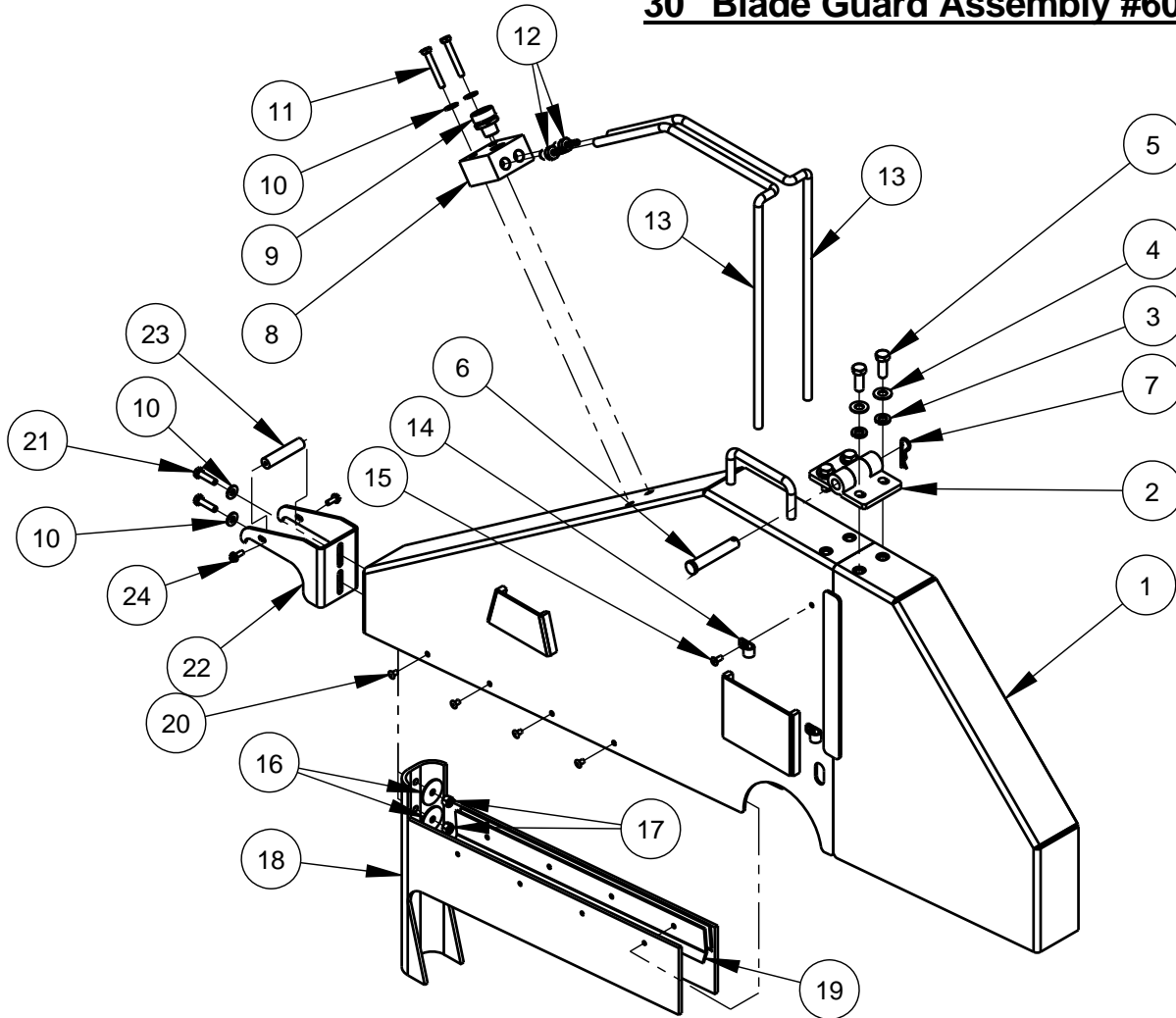
ITEM	PART NO.	QTY.	DESCRIPTION
1	6045425	1	20" Blade Guard Only
2	6041135	1	Hinge
3	2900014	4	Flat Washer, 3/8" SAE
4	2900006	4	Lock Washer, 3/8" Split
5	2900005	4	Cap Screw, Hex Hd., 3/8-16 x 1"
6	2900607	1	Clevis Pin, 1/2" x 2-3/4"
7	2900262	1	Hairpin Cotter
8	6045162	1	Water Manifold
9	3200002	1	Fitting, 3/4" M. Pipe to 3/4" M. Garden
10	2900009	4	Flat Washer, 1/4" SAE
11	2900392	2	Cap Screw, Hex Hd., 1/4-20 x 1-3/4"
12	3200019	2	Fitting, 1/4" NPSM Straight Pipe to 1/4" Hose Barb
13	6045109	2	Hose, 1/4" x 3/8" x 19"
14	3200039	4	Clamp, 3/8"
15	2900201	4	Rivet, 3/16" Dia.
16	2900008	2	Cap Screw, Hex Hd., 1/4-20 x 1"
17	2900083	2	Fender Washer, 1/4" x 1-1/4"
18	2900010	2	Lock Nut, 1/4-20 Nylon
19	6045178	1	Splash Flap (CC4144D)
20	6045179	2	SPLASH FLAP RETAINING STRIP
21	2900071	4	Rivet, 3/16"

26" Blade Guard Assembly #6045421



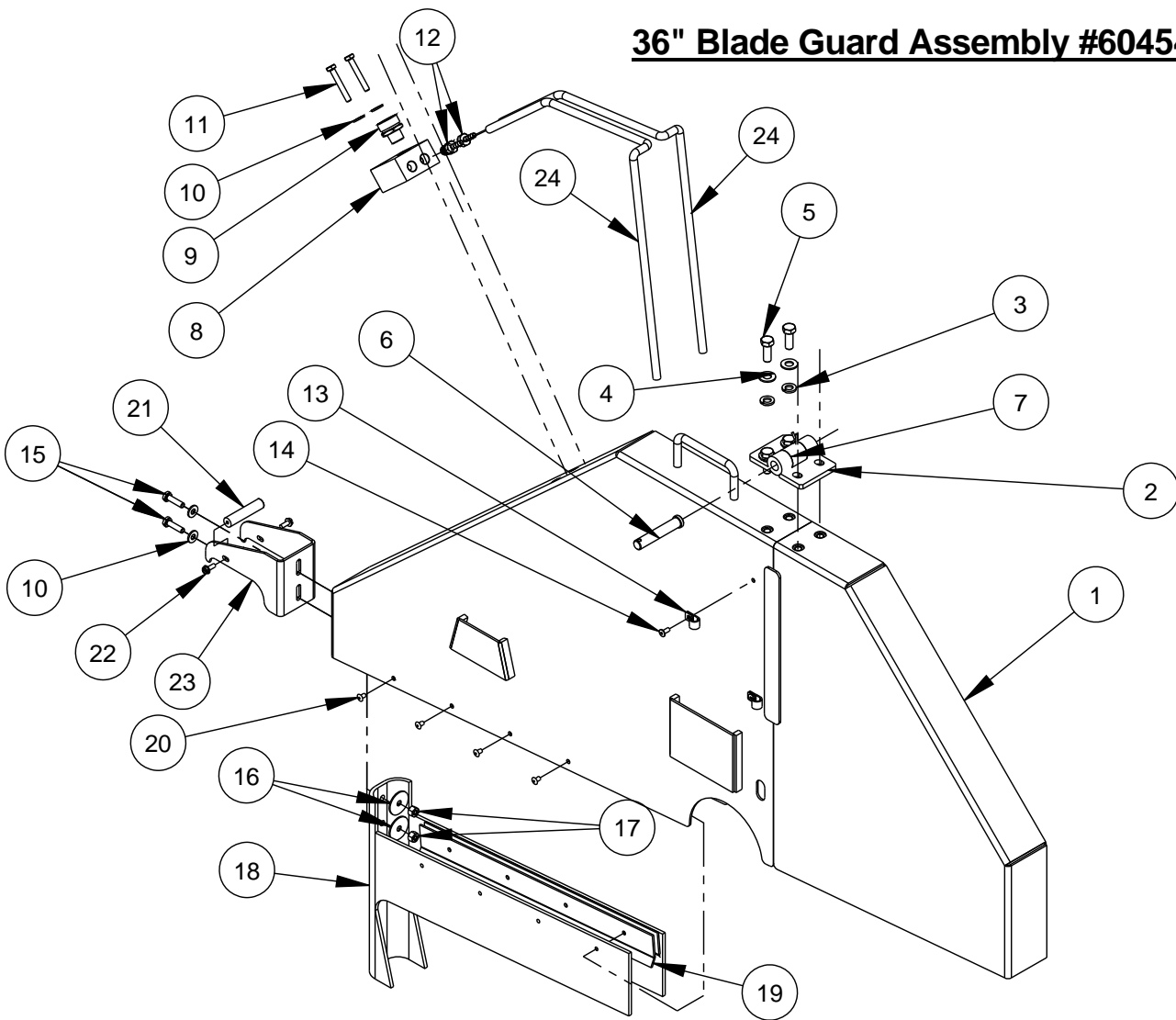
ITEM	PART NO.	QTY.	DESCRIPTION
1	6045426	1	26" Blade Guard Only
2	6041135	1	Hinge
3	2900006	4	Lock Washer, 3/8" Split
4	2900014	4	Flat Washer, 3/8" SAE
5	2900005	4	Cap Screw, Hex Hd., 3/8-16 x 1"
6	2900607	1	Clevis Pin, 1/2" x 2-3/4"
7	2900262	1	Hairpin Cotter
8	6045162	1	Water Manifold
9	3200002	1	Fitting, 3/4" M. Pipe to 3/4" M. Garden
10	2900009	4	Flat Washer, 1/4" SAE
11	2900392	2	Cap Screw, Hex Hd., 1/4-20 x 1-3/4"
12	3200019	2	Fitting, 1/4" NPSM Straight Pipe to 1/4" Hose Barb
13	6045106	2	Hose, 1/4" x 3/8" x 25"
14	3200039	4	Clamp, 3/8"
15	2900201	4	Rivet, 3/16" Dia.
16	2900008	2	Cap Screw, Hex Hd., 1/4-20 x 1"
17	2900083	2	Fender Washer, 1/4" x 1-1/4"
18	2900010	2	Lock Nut, 1/4-20 Nylon
19	6045174	1	Splash Flap (CC4144D)
20	6045172	2	Splash Flap Retaining Strip (Long)
21	2900071	8	Rivet, 3/16"

30" Blade Guard Assembly #6045422



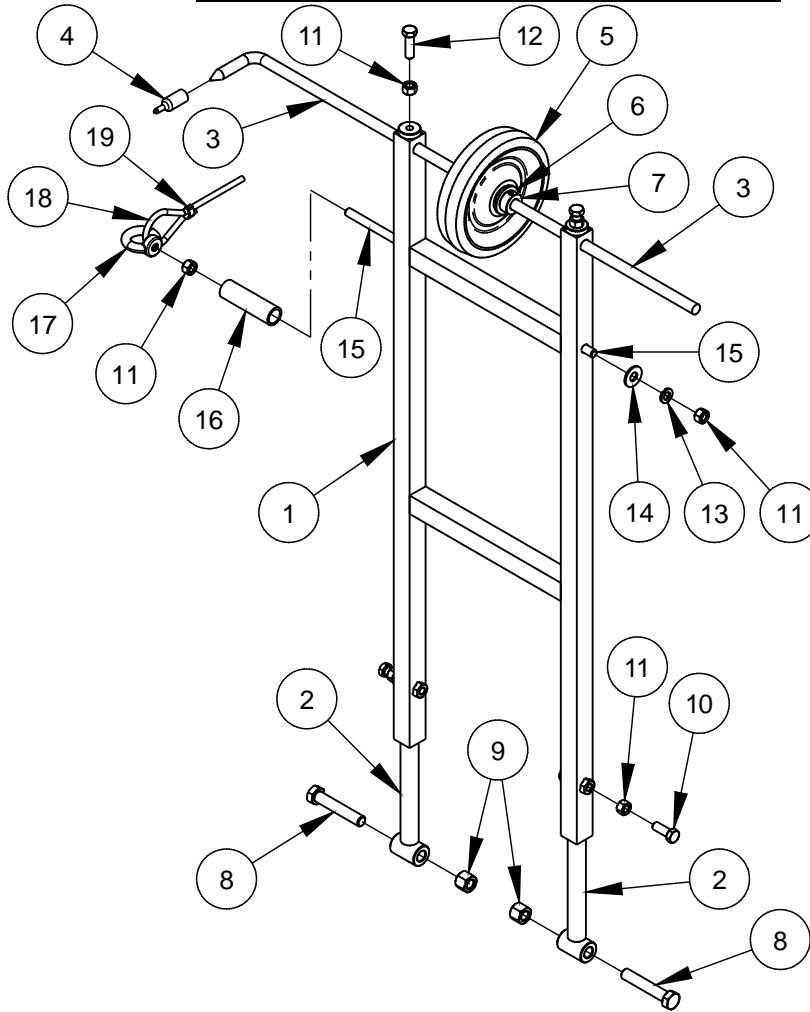
ITEM	PART NO.	QTY.	DESCRIPTION
1	6045427	1	30" Blade Guard Only
2	6041135	1	Hinge
3	2900006	4	Lock Washer, 3/8" Split
4	2900014	4	Flat Washer, 3/8" SAE
5	2900005	4	Cap Screw, Hex Hd., 3/8-16 x 1"
6	2900607	1	Clevis Pin, 1/2" x 2-3/4"
7	2900262	1	Hairpin Cotter
8	6045162	1	Water Manifold
9	3200002	1	Fitting, 3/8" M. Pipe to 3/4" M. Garden
10	2900009	4	Flat Washer, 1/4" SAE
11	2900392	2	Cap Screw, Hex Hd., 1/4-20 x 1-3/4"
12	3200019	2	Fitting, 1/4" NPSM Straight Pipe to 1/4" Hose Barb
13	6045107	2	Hose, 1/4" x 3/8" x 25"
14	3200039	4	Clamp, 3/8"
15	2900201	4	Rivet, 3/16" Dia.
16	2900083	2	Fender Washer, 1/4" x 1-1/4"
17	2900010	2	Lock Nut, 1/4-20 Nylon
18	6045174	1	Splash Flap (CC4144D)
19	6045172	2	Splash Flap Retaining Strip (Long)
20	2900071	8	Rivet, 3/16"
21	2900008	2	Cap Screw, Hex Hd., 1/4-20 x 1"
22	6045411	1	Blade Guard Support
23	6045266	1	Blade Guard Support Spacer
24	2901412	2	Machine Screw, IHWH #10-24 x 1/2"

36" Blade Guard Assembly #6045423



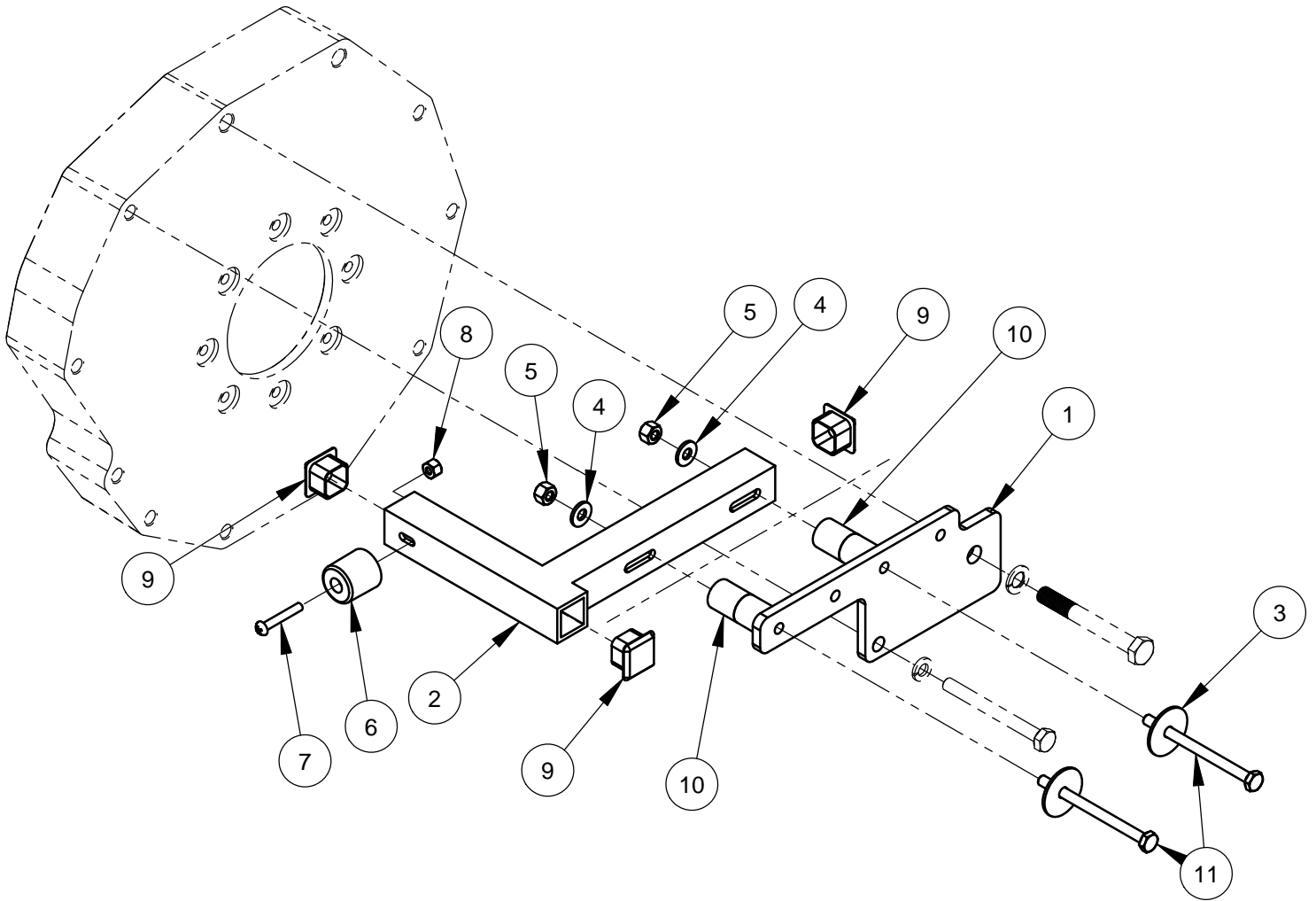
ITEM	PART NO.	QTY.	DESCRIPTION
1	6045428	1	36" Blade Guard Only
2	6041135	1	Hinge
3	2900006	4	Lock Washer, 3/8" Split
4	2900014	4	Flat Washer, 3/8" SAE
5	2900005	4	Cap Screw, Hex Hd., 3/8-16 x 1"
6	2900607	1	Clevis Pin, 1/2" x 2-3/4"
7	2900262	1	Hairpin Cotter
8	6045162	1	Water Manifold
9	3200002	1	Fitting, 3/4" M. Pipe to 3/4" M. Garden
10	2900009	4	Flat Washer, 1/4" SAE
11	2900392	2	Cap Screw, Hex Hd., 1/4-20 x 1-3/4"
12	3200019	2	Fitting, 1/4" NPSM Straight Pipe to 1/4" Hose Barb
13	3200039	4	Clamp, 3/8"
14	2900201	4	Rivet, 3/16" Dia.
15	2900008	2	Cap Screw, Hex Hd., 1/4-20 x 1"
16	2900083	2	Fender Washer, 1/4" x 1-1/4"
17	2900010	2	Lock Nut, 1/4-20 Nylon
18	6045174	1	Splash Flap (CC4144D)
19	6045172	2	Splash Flap Retaining Strip (Long)
20	2900071	8	Rivet, 3/16"
21	6045266	1	Blade Guard Support Spacer
22	2901412	2	Machine Screw, IHWH #10-24 x 1/2"
23	6045265	1	30" Blade Guard Support
24	6045319	2	Hose, 1/4" x 3/8" x 29"

Front Pointer Assembly #6010990



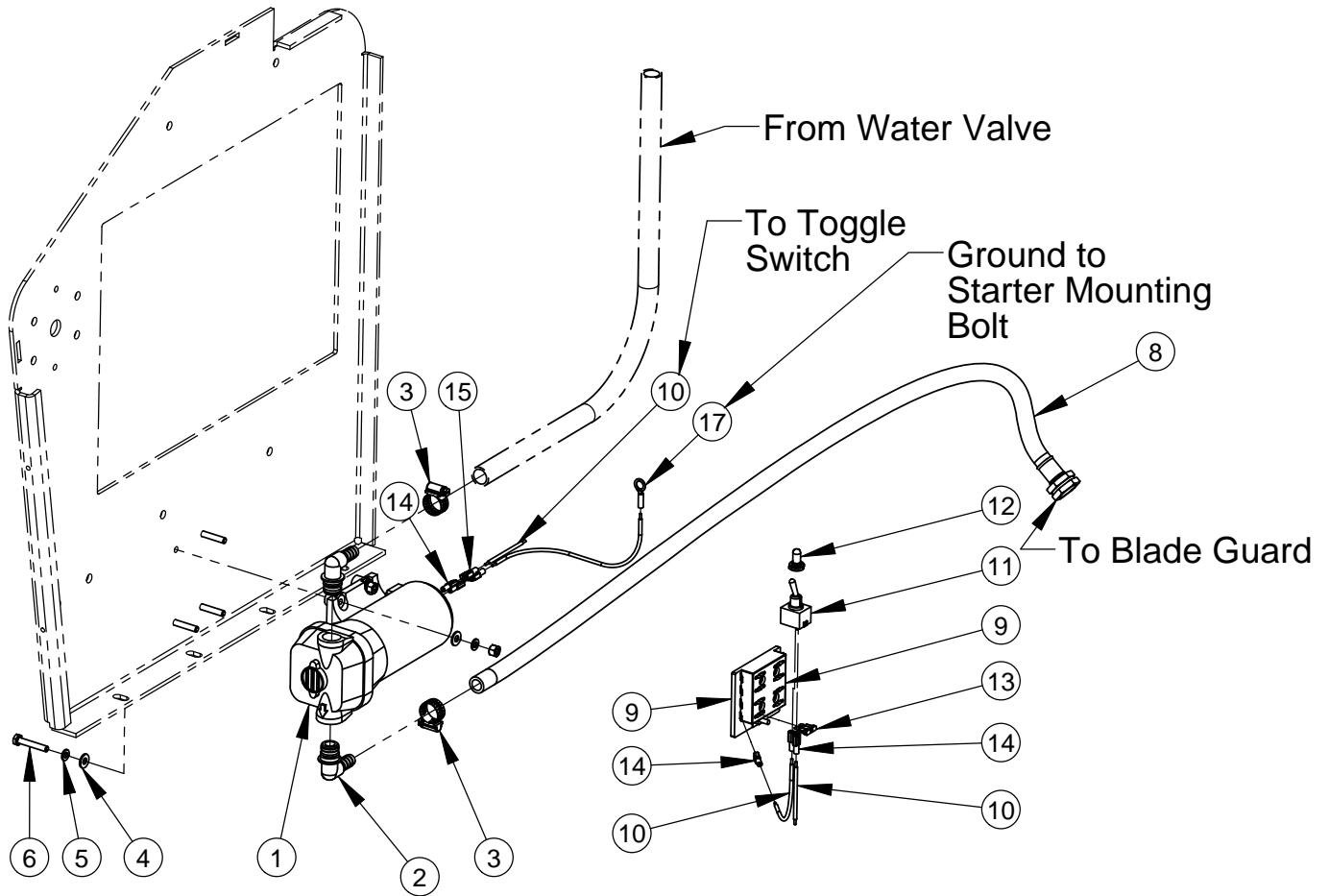
ITEM	PART NO.	QTY.	DESCRIPTION
1	6010541	1	Front Pointer Frame
2	6011152	2	Front Pointer Arm
3	6013025	1	Front Pointer Rod
4	2500740	1	Pointer Cap
5	2501409	1	Wheel, 6"
6	2900127	2	Flat Washer, 1/2" USS
7	2500007	2	Set Collar, 1/2" with Set Screw
8	2900105	2	Cap Screw, Hex Hd., 1/2-13 x 2-3/4"
9	2900026	2	Lock Nut, 1/2-13 Nylon
10	2900005	2	Cap Screw, Hex Hd., 3/8-16 x 1"
11	2900033	6	Hex Nut, 3/8-16
12	2900013	2	Cap Screw, Hex Hd., 3/8-16 x 1-1/4"
13	2900006	1	Lock Washer, 3/8" Split
14	2900473	1	Flat Washer, 3/8" USS
15	6010988	1	Rod, 3/8-16 x 15-1/2"
16	6010989	1	Spacer, 3" Long
17	2900885	1	Eye Nut, 3/8-16
18	6017241	1	Pointer Rope 11 Foot
19	3200221	2	Pinch Clamp, Two Ear

Pointer Stop Assembly #6045177



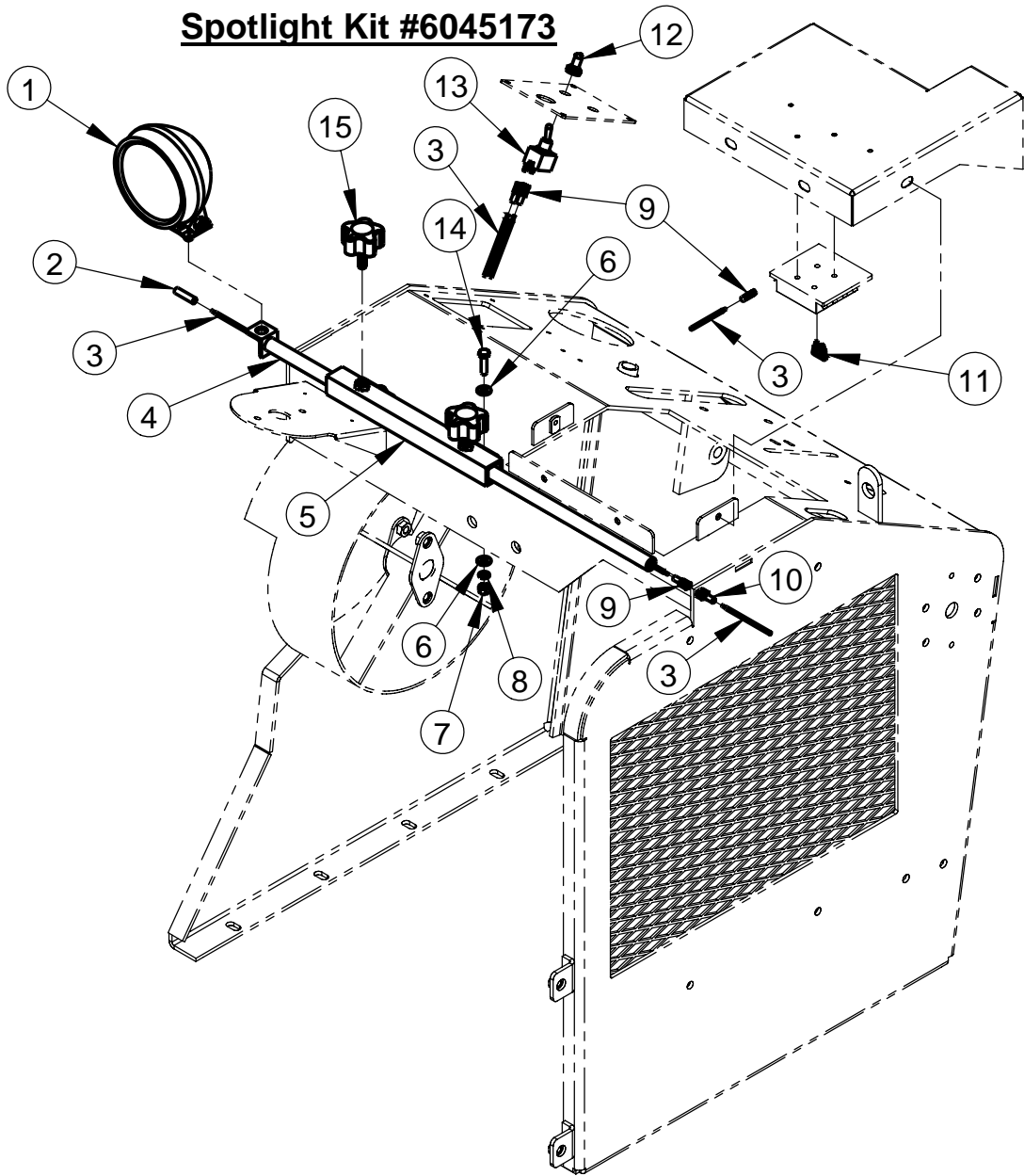
ITEM	PART NO.	QTY.	DESCRIPTION
1	6045176	1	Pointer Stop Adapter Plate
2	6010583	1	Pointer Stop
3	2900083	2	Fender Washer, 1/4" x 1-1/4"
4	2900009	2	Flat Washer, 1/4" SAE
5	2900010	2	Lock Nut, 1/4-20 Nylon
6	2501093	1	Bumper, 1"
7	2900172	1	Machine Screw, Rd. Hd., #10-24 x 1-1/4"
8	2900017	1	Lock Nut, #10-24 Nylon
9	2500573	3	Plug, 1" Square Tube
10	6010515	4	Spacer, 7/8" Long
11	2901002	2	Cap Screw, Hex Hd., 1/4-20 x 3-1/2"

Electric Water Pump Kit #6045403



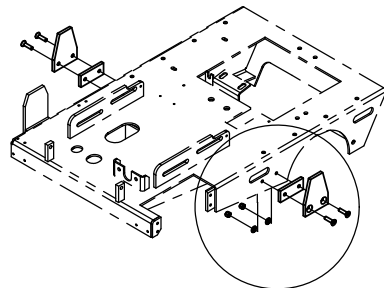
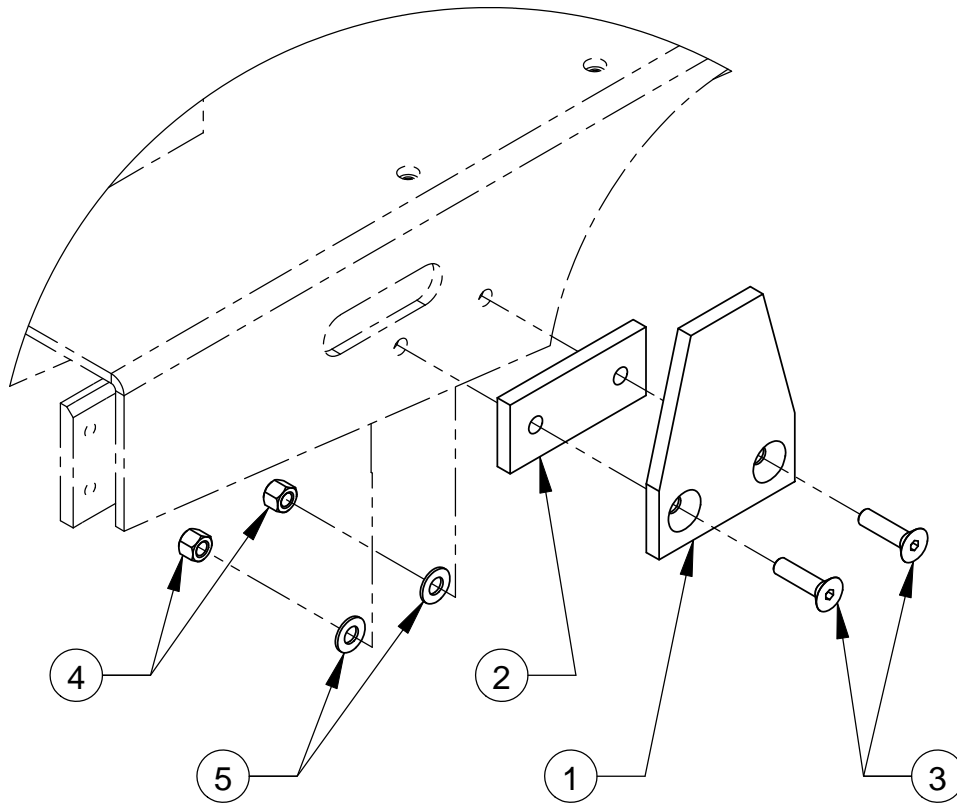
ITEM	PART NO.	Default/ QTY.	DESCRIPTION
1	2600200	1	Water Pump, 12V Diaphragm
2	2701694	2	Port Fitting, 1/2" Barb x 90 Degree
3	3200016	2	Hose Clamp #8
4	2900009	8	Flat Washer, 1/4" SAE
5	2900024	8	Lock Washer, 1/4" Split
6	2900048	4	Cap Screw, Hex Hd., 1/4-20 x 1-1/2"
7	2900010	4	Lock Nut, 1/4-20 Nylon
8	6010302	1	Hose Assembly, 4 Foot
9	2800696	1	Fuse Panel, 8 Circuit
10	2800177	84in	Wire, Red 14 AWG
11	2800062	1	Toggle Switch On/Off
12	2800063	1	Switch Boot
13	2800389	1	Fuse, 10 Amp Red ATO/ATC
14	2800074	5	QD Terminal, 1/4" Female (16-14 AWG) Blue
15	2800484	2	QD Terminal, 1/4" Male (16-14 AWG) Blue
16	2800033	12in	14AWG Black MTW
17	2800656	1	Terminal, 3/8" Ring (16-14 AWG) Blue

Spotlight Kit #6045173



ITEM	PART No.	QTY	DESCRIPTION
1	2500194	1	Spot Light, 12 Volt
2	2800212	1	14-16 Gage Butt Connector
3	2800177	80"	14AWG Red MTW
4	6010106	1	Light Bar
5	6010107	1	Light Bar Mount Bracket
6	2900009	4	Flat Washer, 1/4" SAE
7	2900010	2	Lock Nut, 1/4-20 Nylon
8	2900024	2	Lock Washer, 1/4" Split
9	2800074	4	14-16 Gage Push On, Female
10	2800484	1	14-16 Gage Push On, Male
11	2800389	1	Fuse, 10 Amp Red ATO/ATC
12	2800063	1	Switch Boot
13	2800062	1	Toggle Switch On/Off
14	2900008	2	Cap Screw, Hex Hd., 1/4-20 x 1"
15	2400157	2	Hand Lock Knob, 5/16-18 x 1"

Second Blade Guard Mount (Optional) #6045436



ITEM	PART NO.	QTY.	DESCRIPTION
1	6045431	2	Blade Guard Mount Tab
2	6045429	2	Blade Guard Spacer
3	2900428	4	Cap Screw, Flat Hd., 3/8-16 x 1-1/2"
4	2900018	4	Lock Nut, 3/8-16 Nylon
5	2900014	4	Flat Washer, 3/8" SAE

Decal Set #1800933

CC4144XL RPM CHART

BLADE SIZE	BLADE RPM	BLADESHAFT SHEAVE	ENGINE SHEAVE	ENGINE RPM	BELT SIZE	FLANGE SIZE	MAX CUT DEPTH
14"	2,600	4.75"	4.12"	3,000	3VX450	5"	4-3/8"
20"	2,525	4.75"	4.12"	2,900	3VX450	5"	7-3/8"
26"	2,100	5.6"	4.12"	2,850	3VX475	6"	9-7/8"
30"	1,800	5.6"	4.12"	2,450	3VX475	6"	11-7/8"
36"	1,400	5.6"	4.12"	1,900	3VX475	6"	14-7/8"

ON WATER **OFF**

LOW SULFUR OR ULTRA LOW SULFUR DIESEL FUEL ONLY

DISENGAGE / DESMBRAGAR
ENGAGE / ENBRAGAR

POSITIVA / POSITRACION

SLOW / VELOCIDAD DE DESCENSO DEL DISCO
FAST / RÁPIDO

BLADE LOWERING SPEED / LENTO

CAUTION

Crushing hazard. Keep feet clear. Peligro de aplastamiento. Mantenga sus pies fuera del alcance de la máquina.

MORE DEPTH / MAS PROFUNDIDAD
LESS DEPTH / MENOS PROFUNDIDAD

BLADE DEPTH STOP / FALCÓN DE LA PROFUNDIDAD DE CORTE

PRESS TO RAISE BLADE / SUBIR CAJAL / PRES TO LOWER BLADE / BAJAR CAJAL

CONTROL GRIP

READ OPERATOR MANUAL BEFORE OPENING MACHINE / LEA EL MANUAL ANTES DE ABRIR LA MAQUINA

WARNING

- Always check the bladeshaft RPM before mounting blade.
- Only use blades with a rated speed higher than the bladeshaft speed.
- Never exceed the maximum RPM stamped on the blade. Overspeeding the blade can cause blade breakage and serious personal injury.
- When changing blade size, always adjust bladeshaft RPM according to the speed chart to meet recommended blade RPM for each blade.
- Do not operate saw without the blade guard in place or allow rotating blade exposure to exceed 180°.
- Never stand in line with the blade path when starting or operating saw.
- Never use damaged blades or equipment.
- Refer to operator's manual for additional information about safety operation and maintenance.

ADVERTENCIA

- Adquiera de verificar la velocidad en RPM del eje de la hoja de sierra antes de montar la hoja.
- Utilice solo hojas con una velocidad nominal superior a la velocidad del eje de la sierra.
- Nunca exceda la velocidad de operación máxima en RPM estampada en la hoja de sierra. Operar la sierra a una velocidad superior a la establecida puede causar la rotura de la hoja y serias lesiones corporales.
- Cuando cambie el tamaño de la hoja de sierra, asegure de ajustar la velocidad en RPM del eje de la sierra de acuerdo al gráfico de velocidad para cumplir con la velocidad recomendada para cada hoja de sierra.
- No utilice un tamaño más pequeño de pestanas de hoja de sierra que el indicado en cada hoja de sierra.
- Nunca opere la sierra sin haber colocado los protectores en sus lugares correspondientes ni permita que la sierra exponga a la hoja de sierra en un ángulo mayor de 180°.
- Nunca se ponga en línea con el camino de la hoja de sierra al iniciar o cuando está operando la sierra.
- Nunca use hojas de sierra dañadas o equipo.
- Para obtener más información sobre la seguridad de operación, funcionamiento y mantenimiento del equipo, lee el manual del operador.

EMERGENCY STOP

Push down to stop / Empujar hacia abajo para detener

WATER PUMP / BOMBA DE AGUA

SPOT LIGHT / PROYECTOR DE LUZ

INCH / CM

SET POINTER TO ZERO / CUANDO EL PUNTERO ESTE EN CERO

WHEN BLADE CONTACTS PAVEMENT / CUANDO LA HOJA DE SIERRA TOQUE EL PAVIMENTO

FORWARD / ADELANTANTE

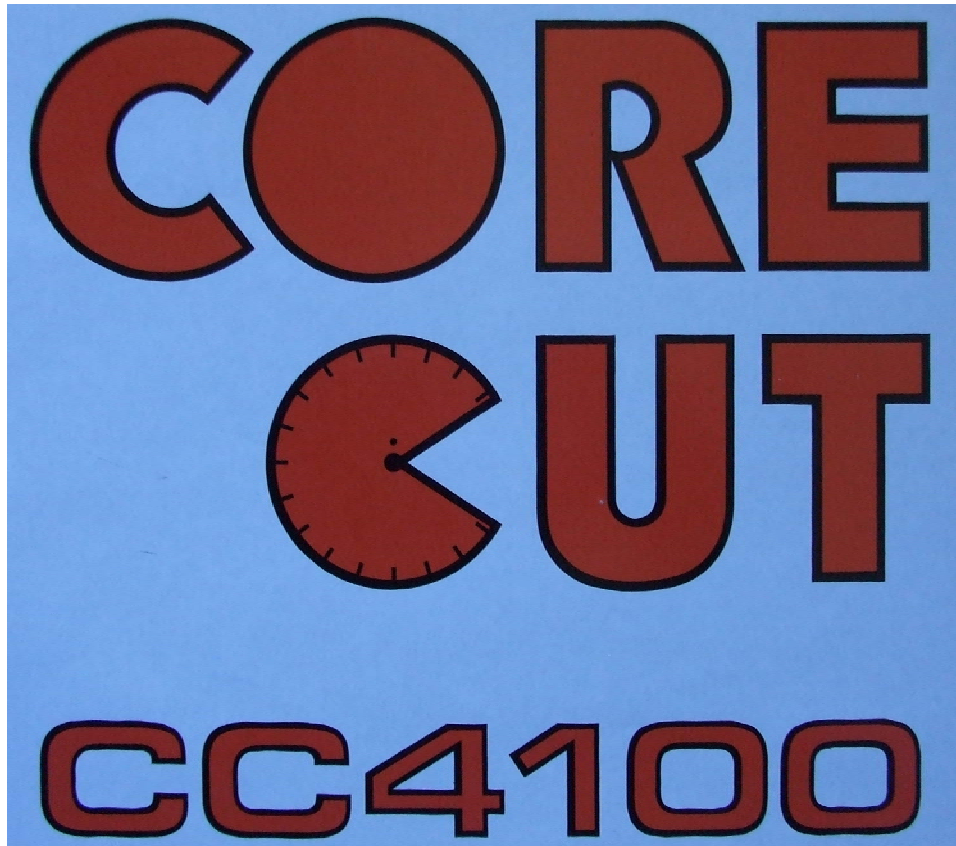
REVERSE / REVERSA

TRANSMISSION / TRANSMISION

Decal Group

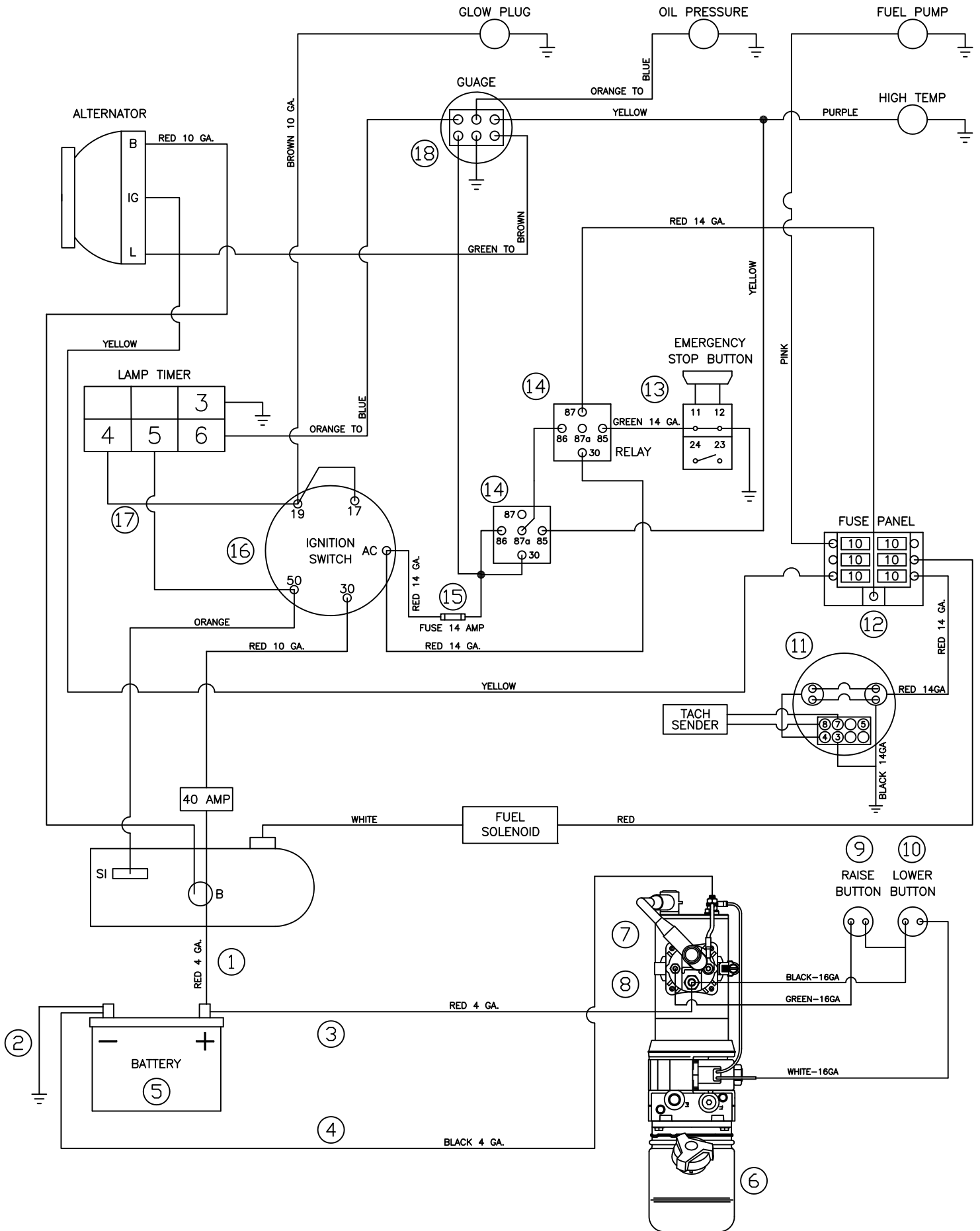
CC4144-3XL RPM CHART						
BLADE SIZE	BLADE RPM	GEARBOX RANGE	ENGINE RPM	BELT SIZE	FLANGE SIZE	MAX CUT DEPTH
14"	3,150	H	3,050	3VX366	6"	3-3/4"
20"	2,700	H	2,625	3VX366	6"	6-3/4"
26"	2,100	M	3,050	3VX366	6"	9-3/4"
30"	1,800	M	2,625	3VX366	6"	11-3/4"
36"	1,400	L	3,050	3VX366	6"	14-3/4"

RPM Decal #1800732



Core Cut Decal #1800XXX

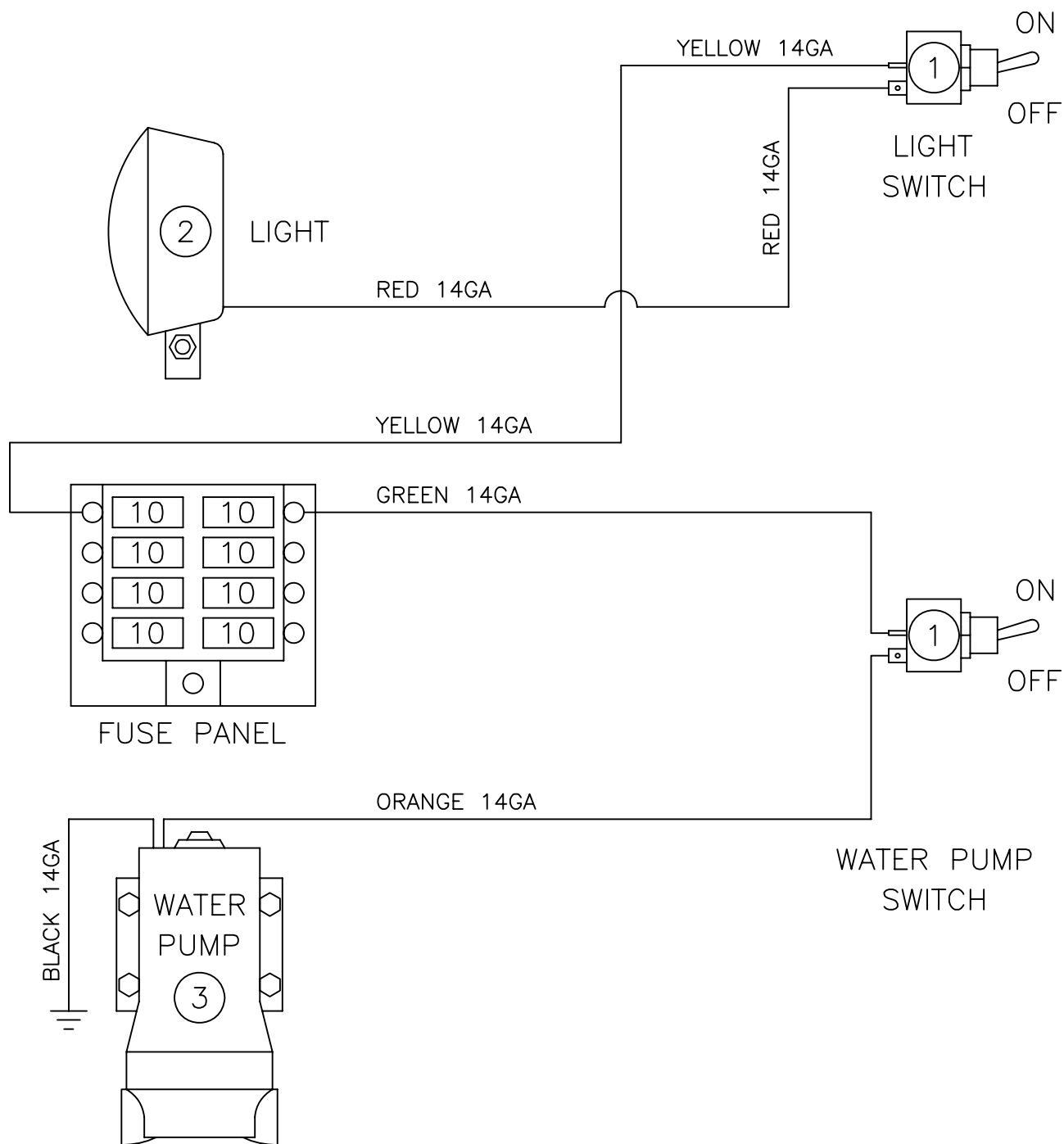
Wiring Diagram: 3-Speed Saw (New VDO Tach)



Wiring Diagram

ITEM	PART NO.	QTY.	DESCRIPTION
1	2800073	1	Battery Cable, Positive (Red)
2	2800072	1	Ground Cable, Negative (Black)
3	2800095	1	Solenoid Cable, Positive (Red)
4	6048092	1	Battery Cable, Negative (Black)
5	2800561	1	Battery, 12 Volt, Group Size 26-60
6	2600540	1	Electro/Hydraulic Pump Unit (Includes #7 & #8)
7	2703228	1	Solenoid Switch 12VDC
8	2703229	1	Mounting Strap
9	2800372	1	Pusbutton Switch, Raise
10	2800373	1	Pusbutton Switch, Lower
11	6010893	1	Tachometer / Hour meter (VDO) Calibrated
12	2800925	1	Fuse Panel, 6 Circuit
13	2801367	1	Emergency Stop Button
14	2800144	2	Relay
15	2800857	1	Fuse, 15 Amp
	2800856	1	In-Line Fuse Holder
16	2700501	1	Ignition Switch, CC4144D
	2705000	1	(Ignition Key Only)
17	2800855	1	Wire Harness, Lamp Timer
18	2705003	1	Cluster Gage, 4 Warning Light

Options Wiring Diagram



ITEM	PART NO.	QTY.	DESCRIPTION
1	2800062	2	Toggle Switch
	2800063	2	Switch Boot
2	2500194	1	Spot Light, 12 Volt
3	2600200	1	Water Pump, 12 Volt Diaphragm