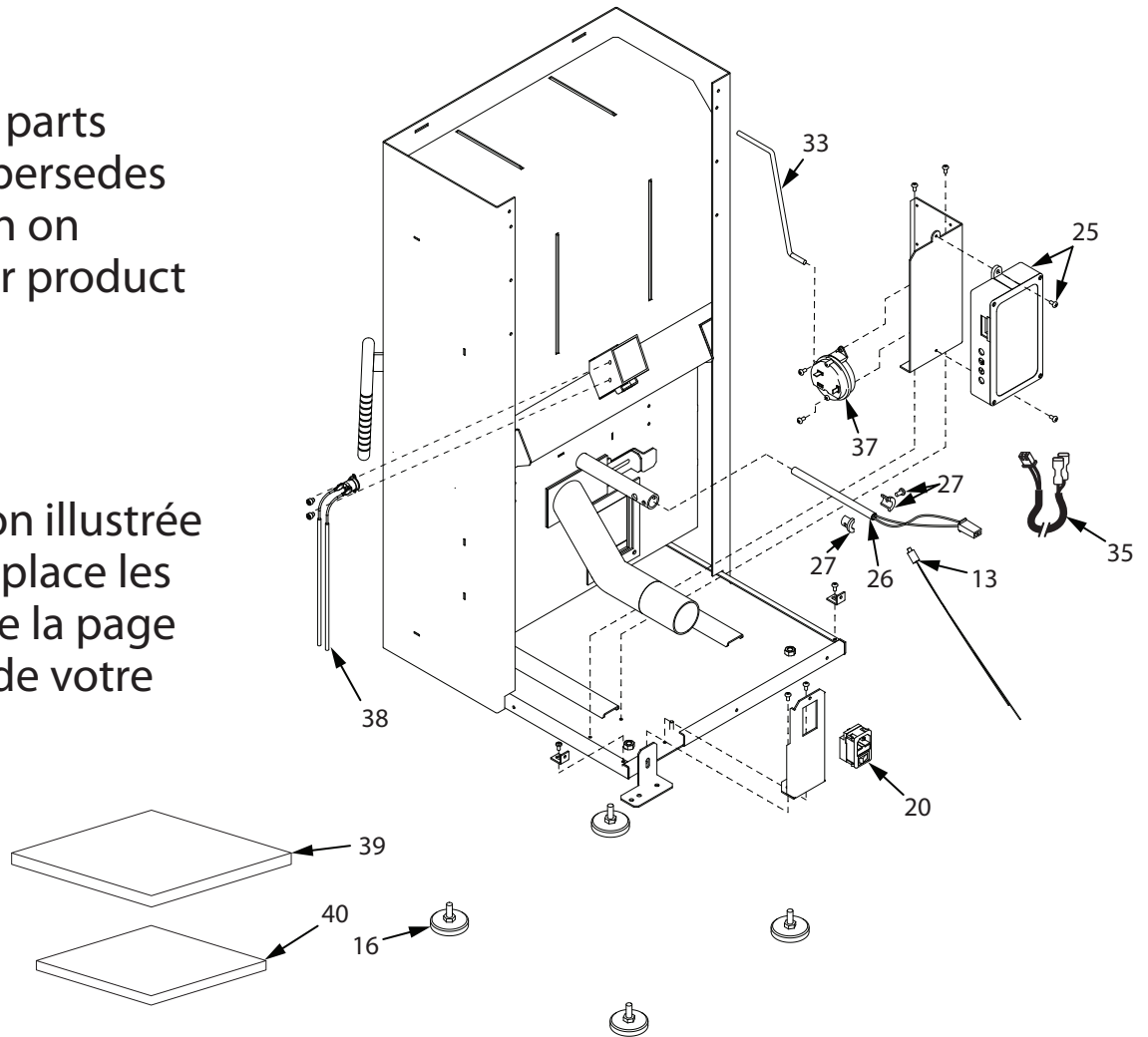


IMPORTANT:

This illustrated parts breakdown supersedes the information on page 38 of your product manual.

IMPORTANT:

Cette ventilation illustrée des pièces remplace les informations de la page 38 du manuel de votre produit.



ITEM #	PART #	DESCRIPTION	QTY
N.º DE ELEMENTO	N.º DE PIEZA	DESCRIPCIÓN	CANT.
13	720106	TEMPERATURE 92°C SENSOR	1
16	720216	ADJUSTABLE FOOT	4
20	720227	POWER SUPPLY SWITCH REPLACEMENT KIT	1
25	720304	INTERFACE MODULE REPLACEMENT KIT	1
26	720307	IGNITER REPLACEMENT KIT	1
27	720308	COLLAR IGNITER RETAINER REPLACEMENT KIT	1
33	12283	TUBE VACUUM SWITCH PORT	1
35	11392	PIGTAIL LEAD VACUUM SWITCH	2
37	28664	VACUUM SWITCH 0.05 WC KIT	1
38	34004	OVERTEMP SWITCH AND HARNESS	1
39	33993	MANUAL BAG ASSEMBLY	1
40	33994	PARTS BAG ASSEMBLY	1

P/N: 32677
 ECN: 12515
 REV 2: 07/01/2019
 © 2019 Ardisam
 All Rights Reserved