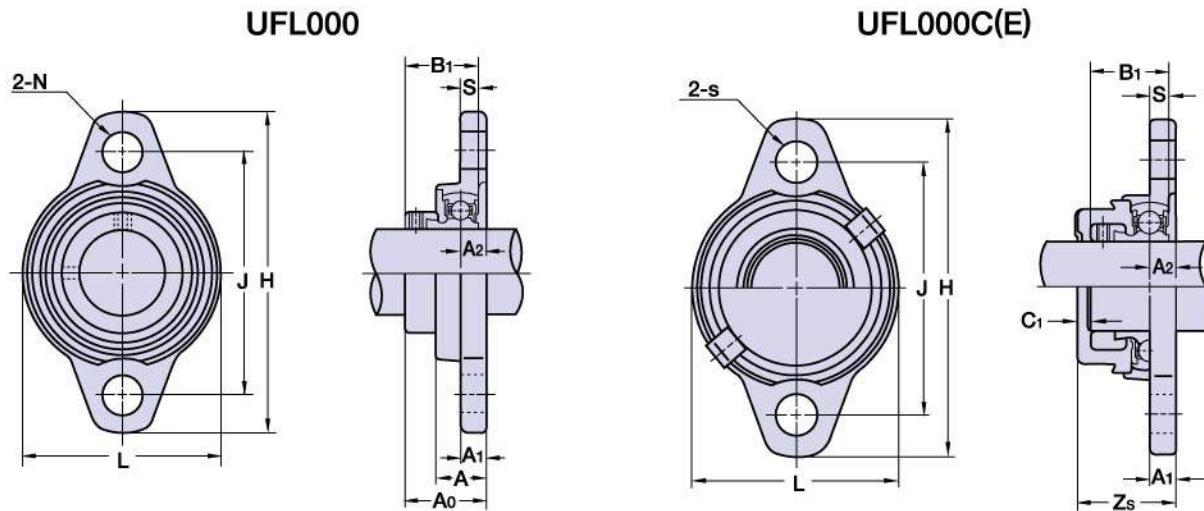


**Two-bolt flange units Eccentric locking collar type**

UFL000 type

UFL000C(E) type



Shaft dia. (mm)	Unit No.	Dimensions (mm)												Mounting bolt size
		H	J	A1	A2	A	N	L	A0	B1	S	C1	Zs	
8	UFL08	48	37	4.5	4	8.5	4.8	27	16	15	3.5	—	—	M 4
10	UFL000	60	45	5.5	5.5	11.5	7	36	19	17.5	4	2	22	M 6
12	UFL001	63	48	5.5	5.5	11.5	7	38	19	17.5	4	2	22	M 6
15	UFL002	67	53	6.5	6.5	13	7	42	20.5	18.5	4.5	2	24	M 6
17	UFL003	71	56	7	7	14	7	46	22.5	20.5	5	2	26	M 6
20	UFL004	90	71	8	8	16	10	55	26.5	24.5	6	3	31	M 8
25	UFL005	95	75	8	8	16	10	60	27.5	25.5	6	3	32	M 8
30	UFL006	112	85	9	9	18	13	70	29	26.5	6.5	4	34	M10
35	UFL007	122	95	10	10	20	13	80	32.5	29.5	7	4	38	M10

Bearing No.	Bearing		Housing No.	Unit No. with covers	Stainless steel cover No.		Weight (g)		
	Basic load rating (kN)				Open (closed)	Open	Closed	Normal	With cover
	Cr	Cor							
U08 +ER	3.35	1.67	FL08	—	—	—	30	—	
U000 +ER	4.6	2	FL000	UFL000C(E)	000CP10	000CPE	60	65	
U001 +ER	5.1	2.4	FL001	UFL001C(E)	001CP12	001CPE	76	80	
U002 +ER	5.6	2.8	FL002	UFL002C(E)	002CP15	002CPE	100	105	
U003 +ER	6	3.3	FL003	UFL003C(E)	003CP17	003CPE	129	135	
U004 +ER	9.35	5.1	FL04-5	UFL004C(E)	04-5CP20	04-5CPE	205	215	
U005 +ER	10.1	5.8	FL05-6	UFL005C(E)	05-6CP25	05-6CPE	244	255	
U006 +ER	13.2	8.3	FL06-7	UFL006C(E)	06-7CP30	06-7CPE	354	370	
U007 +ER	15.9	10.3	FL07-8	UFL007C(E)	07-8CP35	07-8CPE	498	520	

● Recommended tightening torque of set screws of eccentric collar and axial load capacity

Applicable bearing Nos.	Set-screw No.	Hexagon key No.	Tightening torque (N cm)	Axial load capacity (N)
U08	M3×0.5	1.5	59	390
U000~U003, MU000~MU003	M4×0.7	2	147	880
U004~U006, MU004~MU006	M5×0.8	2.5	294	1760
U007	M6×0.75	3	490	2940

Note: As the operating radial load increases, the axial load carrying capacity also increases.