



COC

Saniline



COC INC.

F-7-4 Hamaderashowa Nishiku
Sakai Osaka 592-8345 JAPAN
+81 72 267 2347
info@crossocean.com

COC
crossocean.com

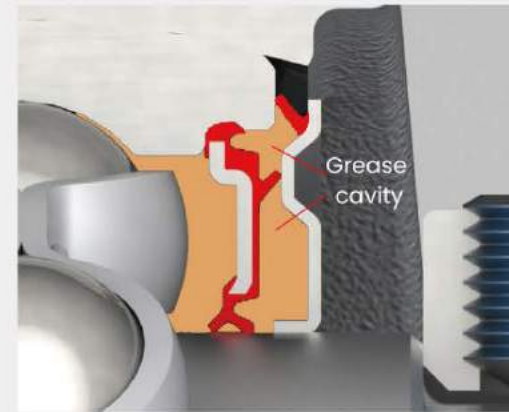
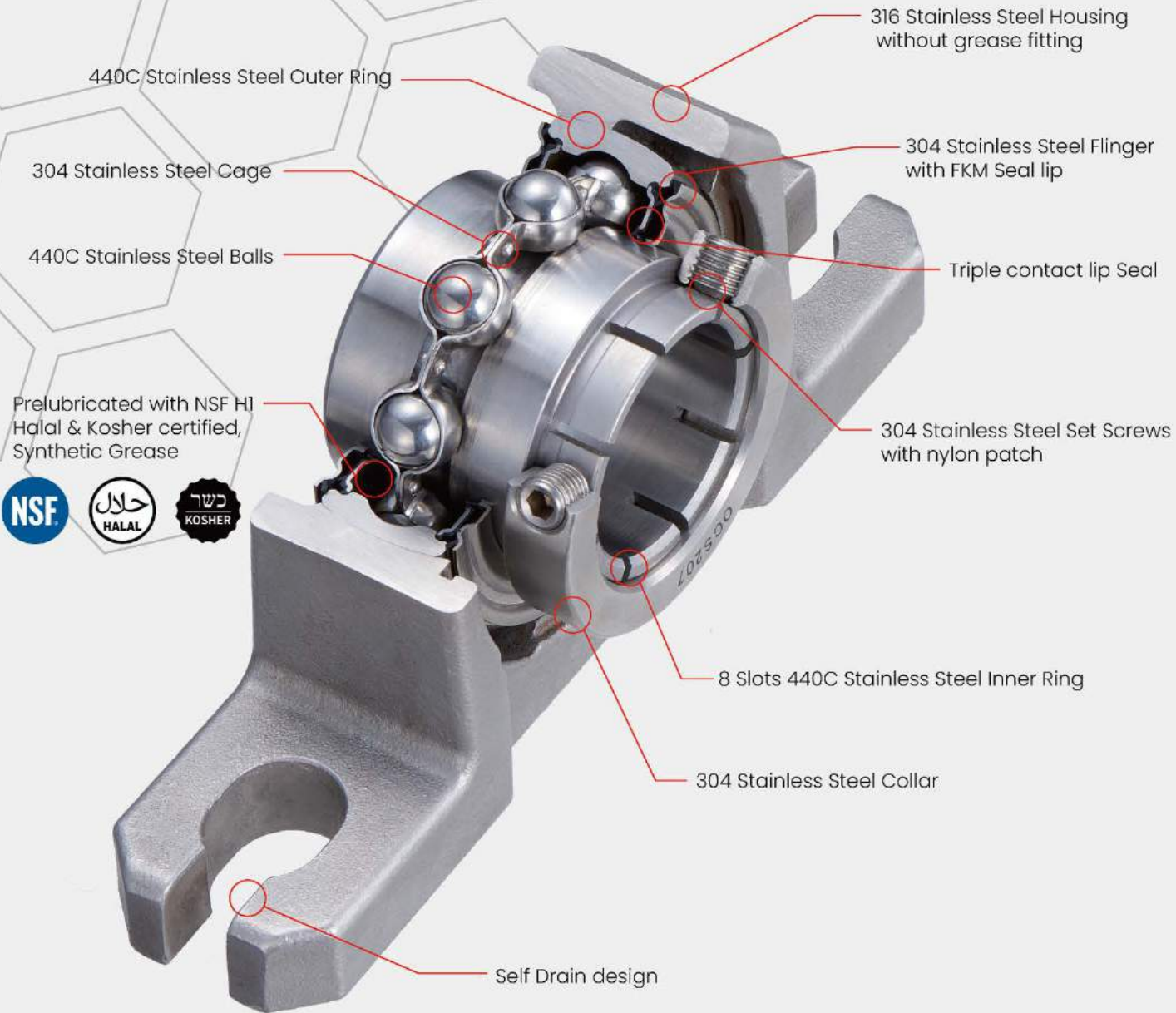


Saniline stainless ball bearing units are designed for the future of food safety.



IP69K certified
Sanitary Food Grade design for
HACCP/HARPC compliance





Lubricated for life

COC's sealing system with stainless steel flinger is designed to withstand frequent high pressure washdowns. The IP69K rating is for high pressure and high temperature washdown applications. Lubricated for life with NSF approved H1 food grade grease, this maintenance free solution allows for better cleaning of machinery and more up-time.



IP69K TEST

The water intrusion tests themselves are done by placing the product on a turntable with a rotational speed of 5 ±1 revolutions per minute. The product is then sprayed at close range at a rate of approximately 4 gallons/16 liters per minute with water pressure of between 1160-1450 psi, at a temperature of 176°F/80°C. The nozzle from which the water is sprayed is held between 4 and 6 inches from the product, at a variety of angles.

The IP69K rating provides protection against ingress of dust and high temperature, high pressure water – making products with this certification ideal for use in conditions where equipment must be carefully sanitized. The IP69K rating is the highest protection available.





OCCLOC™

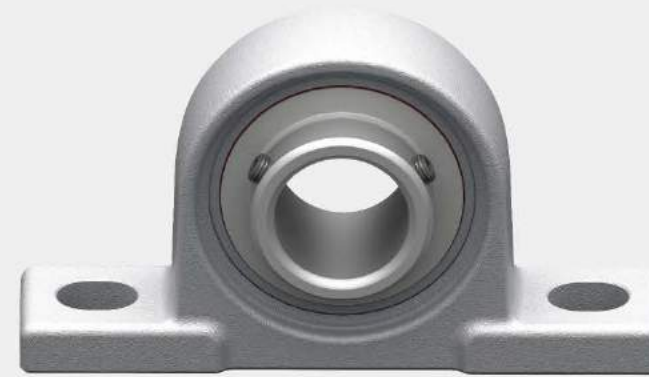
8 SLOTS CONCENTRIC LOCKING SYSTEM



COC's original OCCLOC™ has two setscrews that are located 120° apart on the locking collar over the 8 slotted inner ring. The locking collar pulls the far side of inner ring by tightening of the setscrew.

OCCLOC™ doesn't make any marks on the shaft. The shaft can be very clean without any damage from the bearings. OCCLOC™ can clamp onto the undersized commercial shafting. OCCLOC™ saves you money by allowing you to use less expensive and the undersized commercial shafting.

SETSCREW LOCK



- Easiest to install
- Should use recommended shaft sizes from catalogs (h7 fit)
- Creates Burrs
- Stainless steel setscrews are too soft to hold the hardened shafting and can slip.

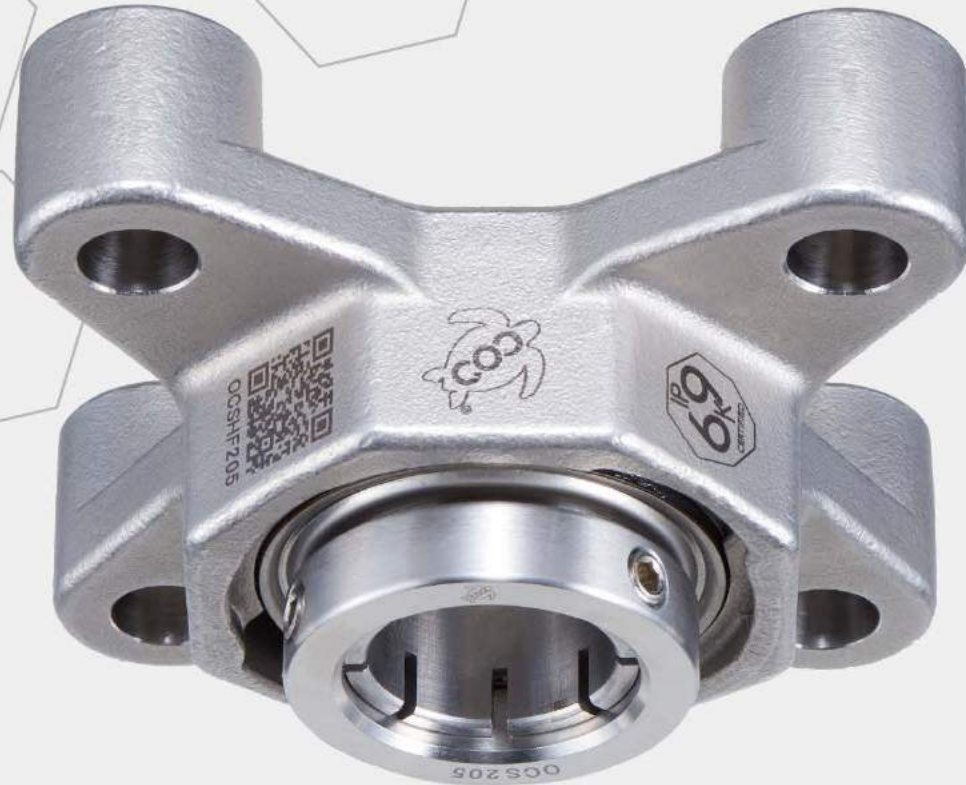
OCCLOC™



- Easiest to install as easy as a setscrew lock
- Can use commercial shafts (h9 fit)
- No damage to the shafting



IP69K + STAND-OFF HOUSINGS FOR CIP (CLEAN-IN-PLACE)



Ideally a smaller area of connect with the machine is a better way to eliminate bacteria harborage and our stand-off housings allow for clean-in-place (CIP) operation. They have mostly 1/2" stand-off clearance to meet HACCP/HARPC compliance.

STAINLESS STEEL SAFTY COVER EASY ON AND OFF



Although our IP69K certified units don't require the covers for the extra protection, the safety cover is available. Our stainless steel safety cover is very easy to install and uninstall to clean. It has two little tabs that fit into the bearing slots on the front of housing. Just twist the cover until it clicks to lock. The safety cover doesn't need to be sealed and it has two drain holes to reduce the heat and moisture inside the cover. As this is the relubrication-free design, there is no purging grease after a couple hours of initial operation. It's better to be washed and ventilated rather than allowing moisture to remain inside of the covers.

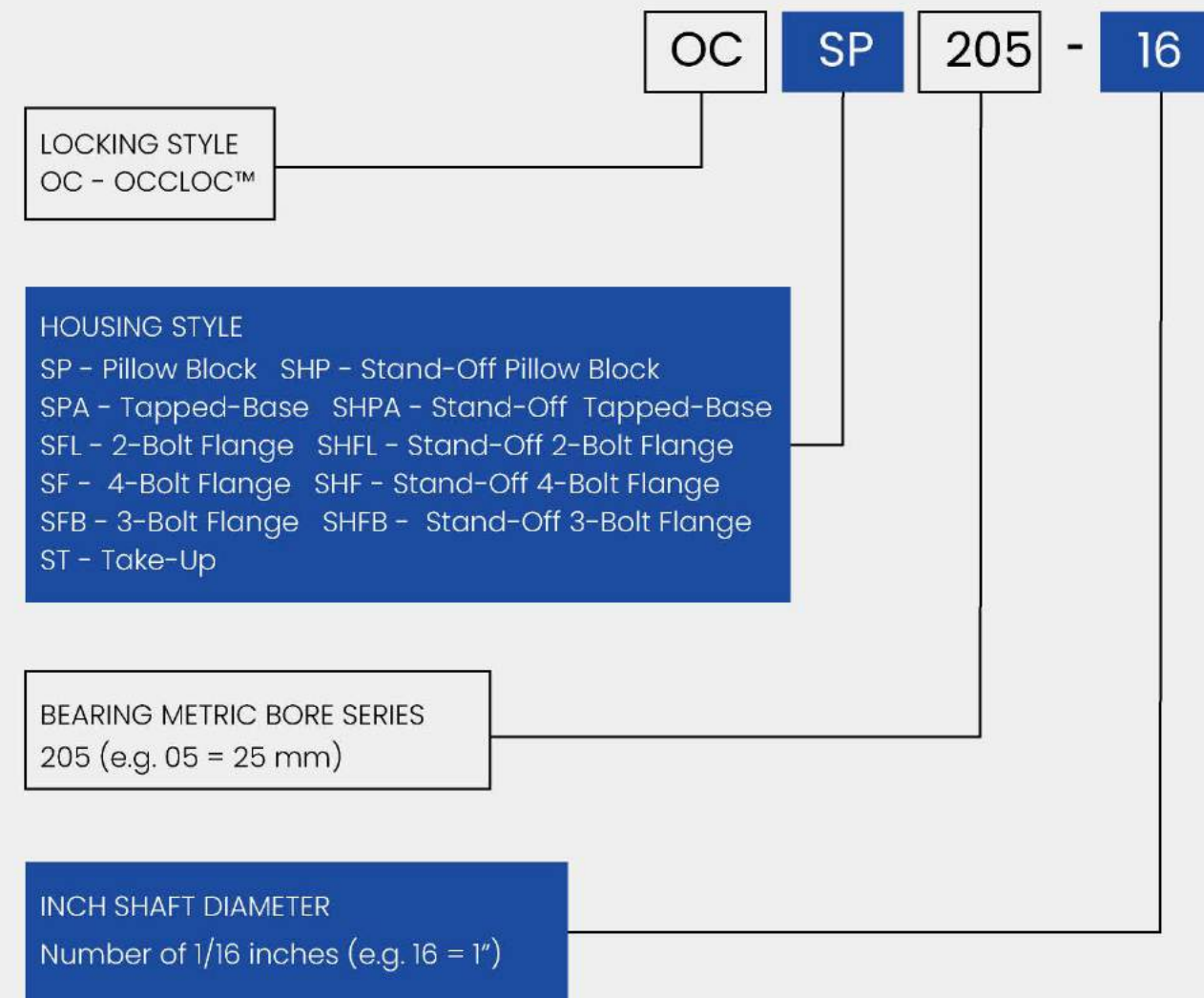


Scan QR code
To connect
the information below on site.

- Dimensions of scanned part number
- Installation instructions with videos
- Maintenance information

QR code has both the Web link & Serial Number of the scanned product.

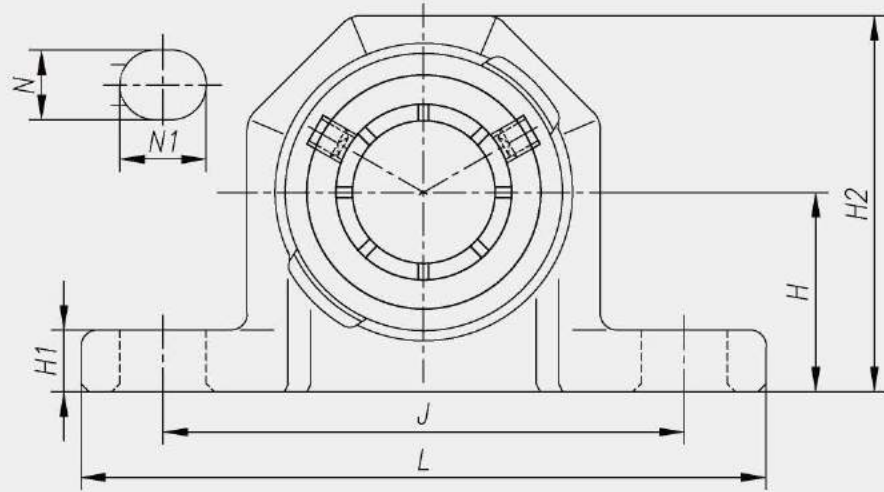
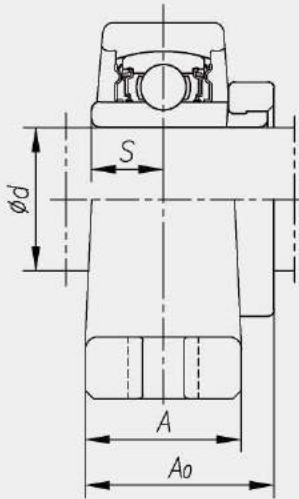
Nomenclature





OCSP

OCCLOC™ stainless steel pillow block unit.

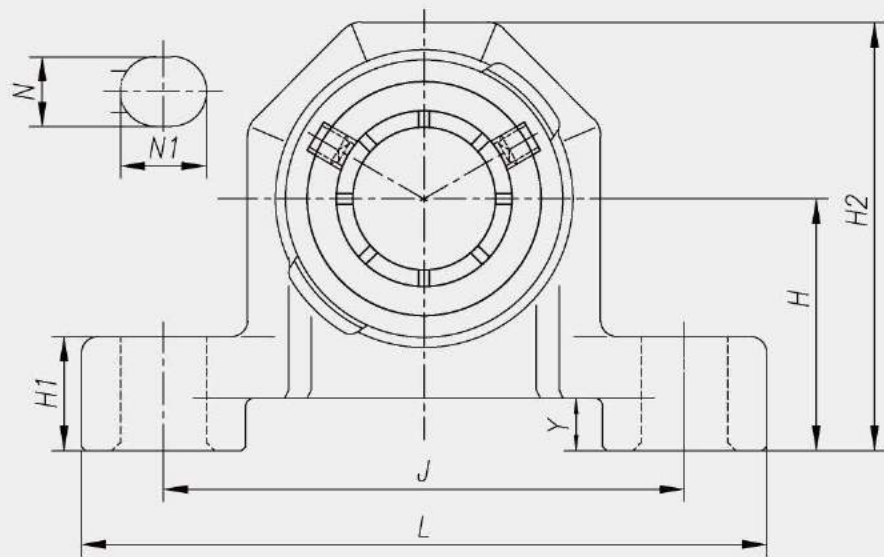
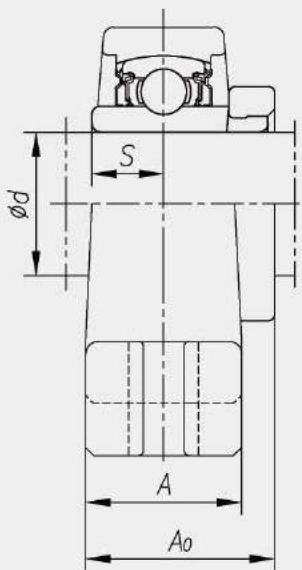


Unit Number	Shaft Dia. D	H	L	A	J	N	N1	H1	H2	A0	S	Bolt Size	Weight
		in. mm	in. mm	in. mm	in. mm	in. mm	in. mm	in. mm	in. mm	in. mm	in. mm	in. mm	in. mm
OCSP204-8	1/2 in.												
OCSP204-10	5/8 in.	1-5/16	5	1-3/16	3-3/4	1/2	23/32	7/16	2-7/16	1-3/8	1/2	3/8	1.48
OCSP204-12	3/4 in.	33.3	127	30	95	13	18	11	61.8	34.8	12.7	M10	0.67
OCSP204	20 mm												
OCSP205-14	7/8 in.												
OCSP205-15	15/16 in.	1-7/16	5-1/2	1-3/16	4-1/8	1/2	3/4	15/32	2-11/16	1-15/32	9/16	3/8	1.72
OCSP205	25 mm	36.5	140	30	105	13	19	12	68	37.2	14.3	M10	0.78
OCSP205-16	1 in.												
OCSP206-18	1-1/8 in.												
OCSP206	30 mm												
OCSP206-19	1-3/16 in.	1-11/16	6-1/2	1-13/32	4-3/4	21/32	13/16	1/2	3-3/16	1-41/64	5/8	1/2	2.93
OCSP206-20	1-1/4 in.	42.9	165	36	121	17	21	13	80.9	41.8	15.9	M14	1.33
OCSP207-20	1-1/4 in.												
OCSP207-21	1-5/16 in.												
OCSP207-22	1-3/8 in.	1-7/8	6-9/16	1-1/2	5	21/32	13/16	9/16	3-9/16	1-13/16	11/16	1/2	3.34
OCSP207	35 mm	47.6	167	38	127	17	21	14	90.6	46	17.5	M14	1.52
OCSP207-23	1-7/16 in.												
OCSP208-24	1-1/2 in.	1-15/16	7-1/4	1-9/16	5-13/32	21/32	13/16	9/16	3-25/32	2-1/32	3/4	1/2	4.01
OCSP208	40 mm	49.2	184	40	137	17	21	14	96.2	51.8	19	M14	1.86



OCSHP

OCCLOC™ stainless steel stand-off pillow block unit.



Unit Number	Shaft Dia. D	H	L	A	J	N	N1	H1	H2	A0	S	Y	Bolt Size	Weight
		in. mm	in. mm	in. mm	in. mm	in. mm	in. mm	in. mm	in. mm	in. mm	in. mm	in. mm	in. mm	in. mm
OCSHP204-8	1/2 in.	1-13/16 46	5 127	1-3/16 30	3-3/4 95	1/2 13	23/32 18	15/16 23.7	2-15/16 74.5	1-3/8 34.8	1/2 12.7	1/2 12.7	3/8 M10	1.54 0.70
OCSHP204-10	5/8 in.													
OCSHP204-12	3/4 in.													
OCSHP204	20 mm													
OCSHP205-14	7/8 in.	1-15/16 49.2	5-1/2 140	1-3/16 30	4-1/8 105	1/2 13	3/4 19	31/32 24.7	3-3/16 80.7	1-15/32 37.2	9/16 14.3	1/2 12.7	3/8 M10	1.80 0.82
OCSHP205-15	15/16 in.													
OCSHP205	25 mm													
OCSHP205-16	1 in.													
OCSHP206-18	1-1/8 in.	2-3/16 55.6	6-1/2 165	1-13/32 36	4-3/4 121	21/32 17	13/16 21	1-1/64 25.7	3-11/16 93.6	1-41/64 41.8	5/8 15.9	1/2 12.7	1/2 M14	3.06 1.39
OCSHP206	30 mm													
OCSHP206-19	1-3/16 in.													
OCSHP206-20	1-1/4 in.													
OCSHP207-20	1-1/4 in.	2-3/8 60.3	6-9/16 167	1-1/2 38	5 127	21/32 17	13/16 21	1-1/16 26.7	4-1/16 103.3	1-13/16 46	11/16 17.5	1/2 12.7	1/2 M14	3.49 1.59
OCSHP207-21	1-5/16 in.													
OCSHP207-22	1-3/8 in.													
OCSHP207	35 mm													
OCSHP207-23	1-7/16 in.													



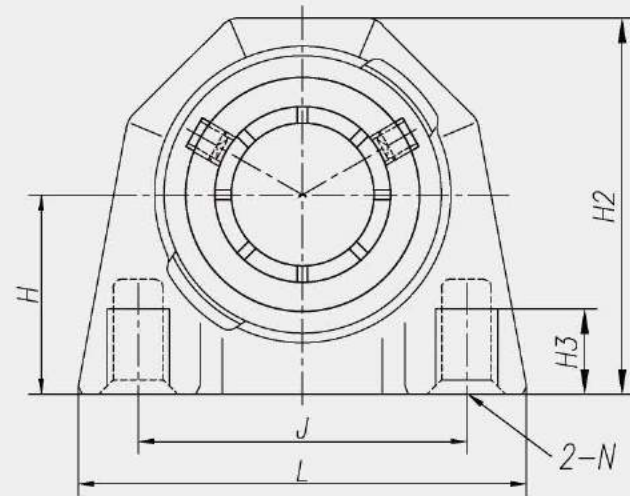
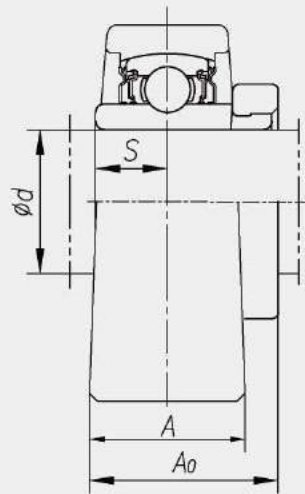


OCSPA

OCCLOC™ stainless steel tapped-base unit.

OCSPAM

OCCLOC™ stainless steel tapped-base unit with metric dimensions



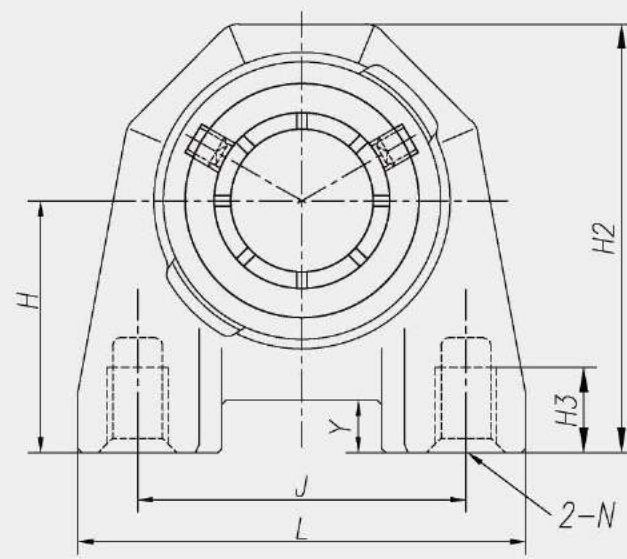
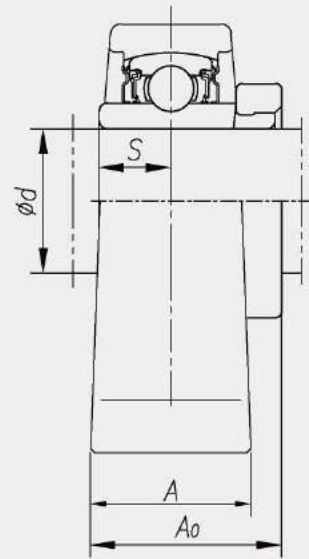
Unit Number	Shaft Dia. D	H	L	A	J	N	H2	H3	A0	S	Weight
		in.	in.	in.	in.	in.	in.	in.	in.	in.	lbs kg
OCSPA204-8	1/2 in.	1-5/16	3	1-3/16	2	3/8-16UNC	2-5/16	33/64	1-3/8	1/2	1.06 0.48
OCSPA204-10	5/8 in.										
OCSPA204-12	3/4 in.										
OCSPA205-14	7/8 in.	1-7/16	3-5/16	1-3/16	2	3/8-16UNC	2-11/16	33/64	1-15/32	9/16	1.43 0.65
OCSPA205-15	15/16 in.										
OCSPA205-16	1 in.										
OCSPA206-18	1-1/8 in.	1-11/16	3-27/32	1-13/32	3	7/16-14UNC	3-3/16	45/64	1-41/64	5/8	2.05 0.93
OCSPA206-19	1-3/16 in.										
OCSPA206-20	1-1/4 in.										
OCSPA207-20	1-1/4 in.	1-7/8	3-11/32	1-1/2	3-1/4	1/2-13UNC	3-9/16	25/32	1-13/16	11/16	3.08 1.4
OCSPA207-21	1-5/16 in.										
OCSPA207-22	1-3/8 in.										
OCSPA207-23	1-7/16 in.										

Unit Number	Shaft Dia. D	H	L	A	J	N	H2	H3	A0	S	Weight
		mm	mm	mm	mm	mm	mm	mm	mm	mm	lbs kg
OCSPAM204	20 mm	30.2	74	30	52	M10×1.5	58.7	13	34.8	12.7	1.06 0.48
OCSPAM205	25 mm	36.5	84	30	56	M10×1.5	68	13	37.2	14.3	1.43 0.65
OCSPAM206	30 mm	42.9	98	36	66	M14×2	80.9	18	41.8	15.9	2.05 0.93
OCSPAM207	35 mm	47.6	110	38	80	M14×2	90.6	20	46	17.5	3.08 1.4



OCSHPA

OCCLOC™ stainless steel
tapped-base stand-off unit.

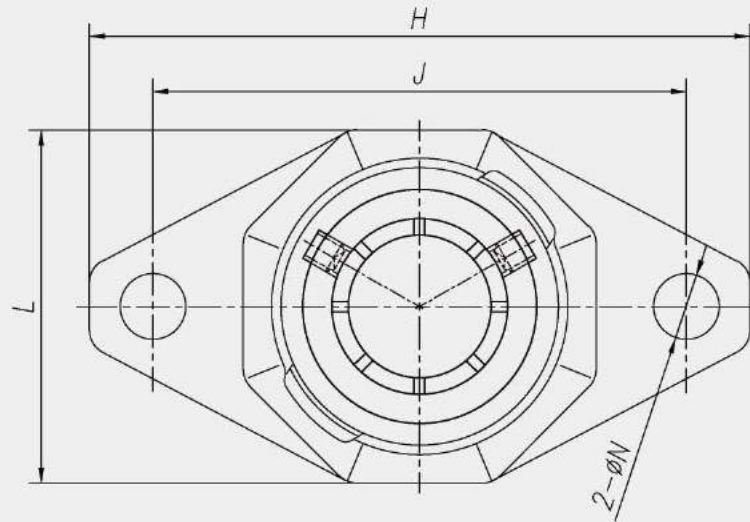
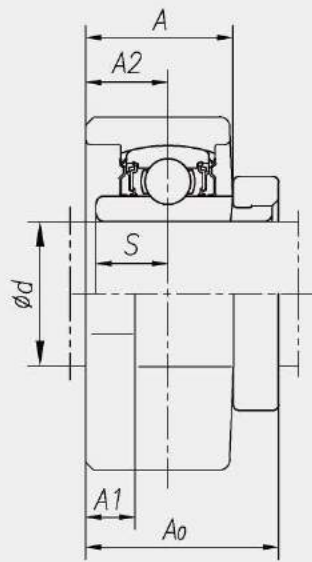


Unit Number	Shaft Dia. D	H	L	A	J	N	H2	H3	A0	S	Y	Weight
		in. mm	in. mm	in. mm	in. mm	in. mm	in. mm	in. mm	in. mm	in. mm	in. mm	in. mm
OCSHPA205-14	7/8 in.											
OCSHPA205-15	15/16 in.	1-15/16	3-5/16	1-3/16	2	3/8-16UNC	3-3/16	33/64	1-15/32	9/16	1/2	1.77
OCSHPA205	25 mm	49.2	84	30	50.8		80.7	13	37.2	14.3	12.7	0.81
OCSHPA205-16	1 in.											
OCSHPA206-18	1-1/8 in.											
OCSHPA206	30 mm	2-3/16	3-25/32	1-13/32	3	7/16-14UNC	3-11/16	45/64	1-41/64	5/8	1/2	2.50
OCSHPA206-19	1-3/16 in.	55.6	96	36	76.2		93.6	18	41.8	15.9	12.7	1.13
OCSHPA206-20	1-1/4 in.											
OCSHPA207-20	1-1/4 in.											
OCSHPA207-21	1-5/16 in.											
OCSHPA207-22	1-3/8 in.	2-3/8	3-11/32	1-1/2	3-1/4	1/2-13UNC	4-1/16	25/32	1-13/16	11/16	1/2	3.73
OCSHPA207	35 mm	60.3	110	38	82.6		103.3	20	46	17.5	12.7	1.69
OCSHPA207-23	1-7/16 in.											

OCSFL



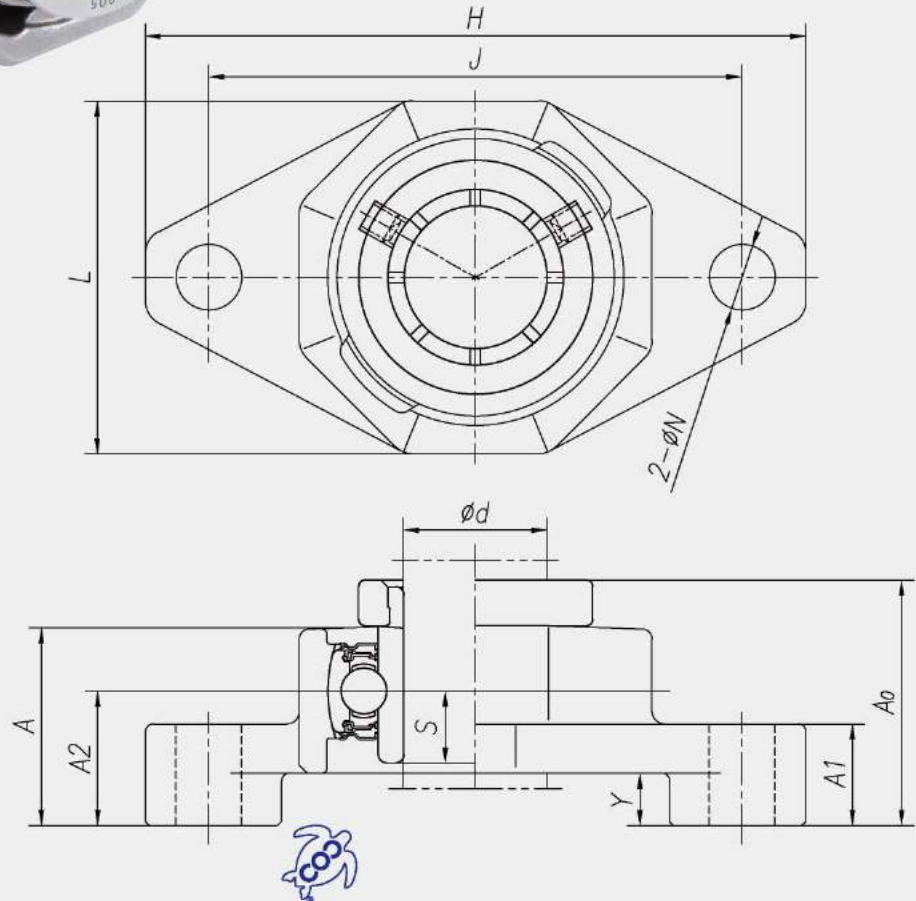
OCCLOC™ stainless steel
2-bolt flange unit.



Unit Number	Shaft Dia. D	H	L	A	J	N	A1	A2	A0	S	Bolt Size	Weight
		in. mm	in. mm	in. mm	in. mm	in. mm	in. mm	in. mm	in. mm	in. mm	in. mm	in. mm
OCSFL204-8	1/2 in.											
OCSFL204-10	5/8 in.	4-7/16 113	2-9/32 58	1-3/32 28	3-35/64 90	15/32 12	13/32 10	19/32 15	1-19/64 33	1/2 12.7	3/8 M10	1.32 0.6
OCSFL204-12	3/4 in.											
OCSFL204	20 mm											
OCSFL205-14	7/8 in.											
OCSFL205-15	15/16 in.	5-1/8 130	2-15/32 63	1-3/16 30	3-57/64 99	5/8 16	13/32 10	5/8 16	1-13/32 35.8	9/16 14.3	1/2 M14	1.67 0.76
OCSFL205	25 mm											
OCSFL205-16	1 in.											
OCSFL206-18	1-1/8 in.											
OCSFL206	30 mm	5-13/16 148	3 76	1-9/32 32.5	4-19/32 117	5/8 16	13/32 10	45/64 18	1-37/64 40.2	5/8 15.9	1/2 M14	2.46 1.12
OCSFL206-19	1-3/16 in.											
OCSFL206-20	1-1/4 in.											
OCSFL207-20	1- 1/4 in.											
OCSFL207-21	1-5/16 in.											
OCSFL207-22	1-3/8 in.	6-11/32 161	3-3/8 86	1-11/32 34	5-1/8 130	5/8 16	7/16 11	3/4 19	1-13/16 46	11/16 17.5	1/2 M14	3.10 1.41
OCSFL207	35 mm											
OCSFL207-23	1-7/16 in.											

OCSHFL

OCCLOC™ stainless steel
2-bolt flange stand-off unit.

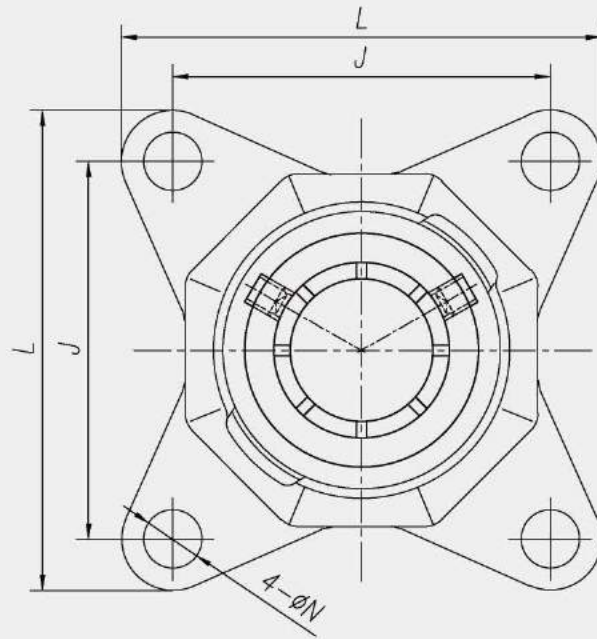
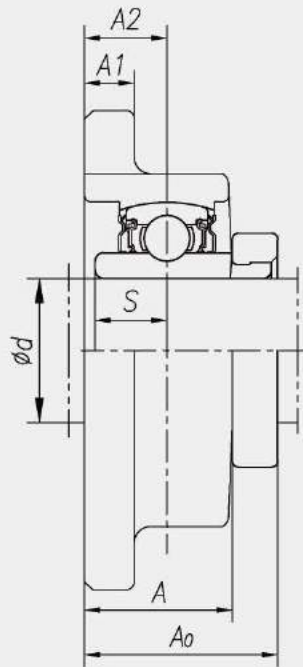


Unit Number	Shaft Dia. D	H	L	A	J	N	A1	A2	A0	S	Y	Bolt Size	Weight
		in. mm	in. mm	in. mm	in. mm	in. mm	in. mm	in. mm	in. mm	in. mm	in. mm	in. mm	lbs kg
OCSHFL204-8	1/2 in.												
OCSHFL204-10	5/8 in.	4-7/16	2-9/32	1-19/32	3-35/64	15/32	57/64	1-3/32	1-51/64	1/2	1/2	3/8	1.81
OCSHFL204-12	3/4 in.	113	58	40.7	90	12	22.7	27.7	45.7	12.7	12.7	M10	0.82
OCSHFL204	20 mm												
OCSHFL205-14	7/8 in.												
OCSHFL205-15	15/16 in.	5-1/8	2-15/32	1-11/16	3-57/64	5/8	57/64	1-1/8	1-29/32	9/16	1/2	1/2	1.96
OCSHFL205	25 mm	130	63	42.7	99	16	22.7	28.7	48.5	14.3	12.7	M14	0.89
OCSHFL205-16	1 in.												
OCSHFL206-18	1-1/8 in.												
OCSHFL206	30 mm	5-13/16	3	1-25/32	4-19/32	5/8	57/64	1-13/64	2-5/64	5/8	1/2	1/2	2.75
OCSHFL206-19	1-3/16 in.	148	76	45.2	117	16	22.7	30.7	52.9	15.9	12.7	M14	1.25
OCSHFL206-20	1-1/4 in.												
OCSHFL207-20	1-1/4 in.												
OCSHFL207-21	1-5/16 in.												
OCSHFL207-22	1-3/8 in.	6-11/32	3-3/8	1-27/32	5-1/8	5/8	15/16	1-1/4	2-5/16	11/16	1/2	1/2	3.41
OCSHFL207	35 mm	161	86	46.7	130	16	23.7	31.7	58.7	17.5	12.7	M14	1.55
OCSHFL207-23	1-7/16 in.												



OCSF

OCCLOC™ stainless steel
4-bolt flange unit.



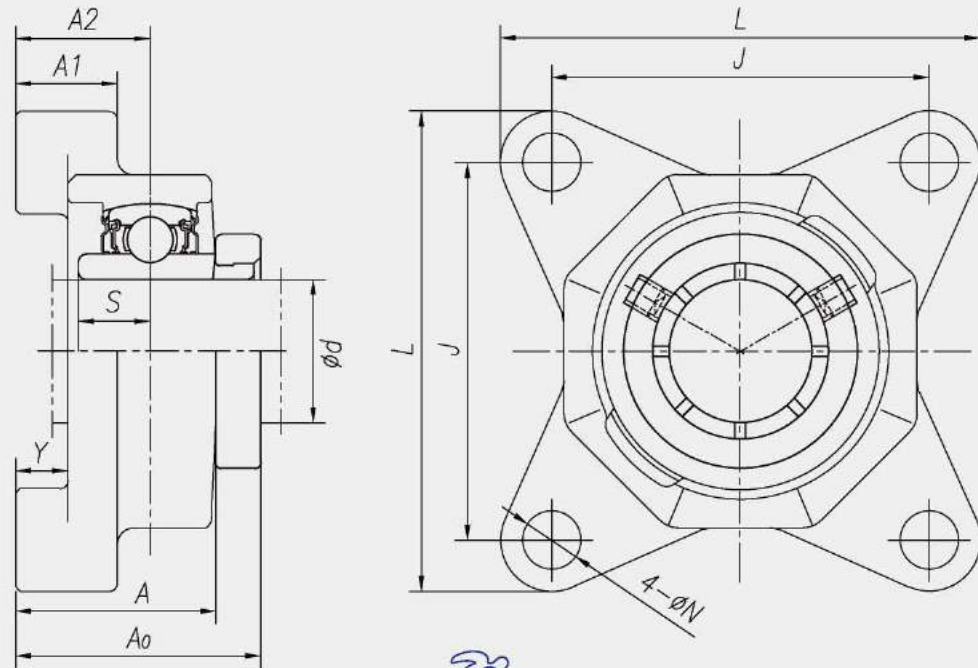
Unit Number	Shaft Dia. D	L	A	J	N	A1	A2	A0	S	Bolt Size	Weight
		in. mm	in. mm	in. mm	in. mm	in. mm	in. mm	in. mm	in. mm	in. mm	in. mm
OCSF204-8	1/2 in.										
OCSF204-10	5/8 in.	3-3/8	1-3/32	2-33/64	15/32	13/32	19/32	1-19/64	1/2	3/8	1.25
OCSF204-12	3/4 in.	86	28	64	12	10	15	33	12.7	M10	0.57
OCSF204	20 mm										
OCSF205-14	7/8 in.										
OCSF205-15	15/16 in.	3-3/4	1-3/16	2-3/4	15/32	13/32	5/8	1-13/32	9/16	3/8	1.63
OCSF205	25 mm	95	30	70	12	10	16	35.8	14.3	M10	0.74
OCSF205-16	1 in.										
OCSF206-18	1-1/8 in.										
OCSF206	30 mm	4-1/4	1-9/32	3-17/64	15/32	13/32	45/64	1-37/64	5/8	3/8	2.34
OCSF206-19	1-3/16 in.	108	32.5	83	12	10	18	40.2	15.9	M10	1.06
OCSF206-20	1-1/4 in.										
OCSF207-20	1-1/4 in.										
OCSF207-21	1-5/16 in.										
OCSF207-22	1-3/8 in.	4-19/32	1-11/32	3-5/8	35/64	7/16	3/4	1-13/16	11/16	7/16	2.91
OCSF207	35 mm	117	34	92	14	11	19	46	17.5	M12	1.33
OCSF207-23	1-7/16 in.										
OCSF208-24	1-1/2 in.	5-1/8	1-15/32	4-1/64	5/8	15/32	53/64	2-5/64	3/4	1/2	3.93
OCSF208	40 mm	130	37.5	102	16	12	21	52.8	19	M14	1.79





OCSHF

OCCLOC™ stainless steel
4-bolt flange stand-off unit.



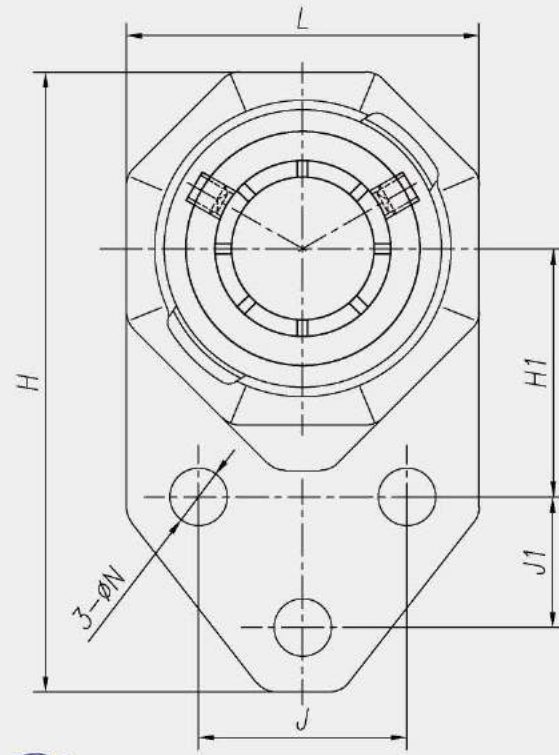
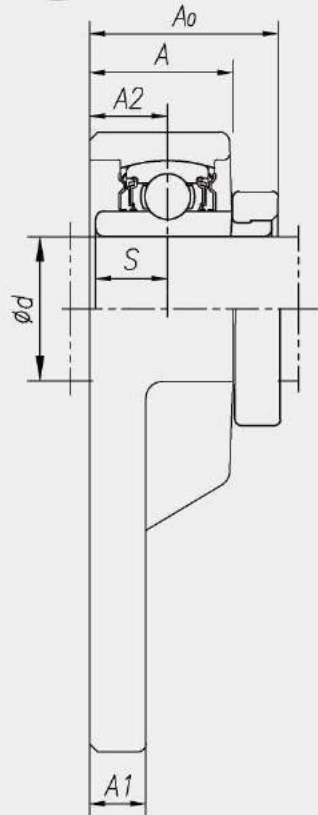
Unit Number	Shaft Dia. D	L	A	J	N	A1	A2	A0	S	Y	Bolt Size	Weight
		in. mm	in. mm	in. mm	in. mm	in. mm	in. mm	in. mm	in. mm	in. mm	in. mm	in. mm
OCSHF204-8	1/2 in.	3-3/8 86	1-19/32 40.7	2-33/64 64	15/32 12	57/64 22.7	1-3/32 27.7	1-51/64 45.7	1/2 12.7	1/2 12.7	3/8 M10	1.61 0.73
OCSHF204-10	5/8 in.											
OCSHF204-12	3/4 in.											
OCSHF204	20 mm											
OCSHF205-14	7/8 in.	3-3/4 95	1-11/16 42.7	2-3/4 70	15/32 12	57/64 22.7	1-1/8 28.7	1-29/32 48.5	9/16 14.3	1/2 12.7	3/8 M10	2.08 0.99
OCSHF205-15	15/16 in.											
OCSHF205	25 mm											
OCSHF205-16	1 in.	4-1/4 108	1-25/32 45.2	3-17/64 83	15/32 12	57/64 22.7	1-13/64 30.7	2-5/64 52.9	5/8 15.9	1/2 12.7	3/8 M10	2.97 1.35
OCSHF206-18	1-1/8 in.											
OCSHF206	30 mm											
OCSHF206-19	1-3/16 in.											
OCSHF206-20	1-1/4 in.	4-19/32 117	1-27/32 46.7	3-5/8 92	35/64 14	15/16 23.7	1-1/4 31.7	2-5/16 58.7	11/16 17.5	1/2 12.7	7/16 M12	3.71 1.68
OCSHF207-20	1-1/4 in.											
OCSHF207-21	1-5/16 in.											
OCSHF207-22	1-3/8 in.											
OCSHF207	35 mm	5-1/8 130	1-63/64 50.2	4-1/64 102	5/8 16	31/32 24.7	1-21/64 33.7	2-37/64 65.5	3/4 19	1/2 12.7	1/2 M14	4.99 2.27
OCSHF207-23	1-7/16 in.											
OCSHF208-24	1-1/2 in.											
OCSHF208	40 mm											





OCSFB

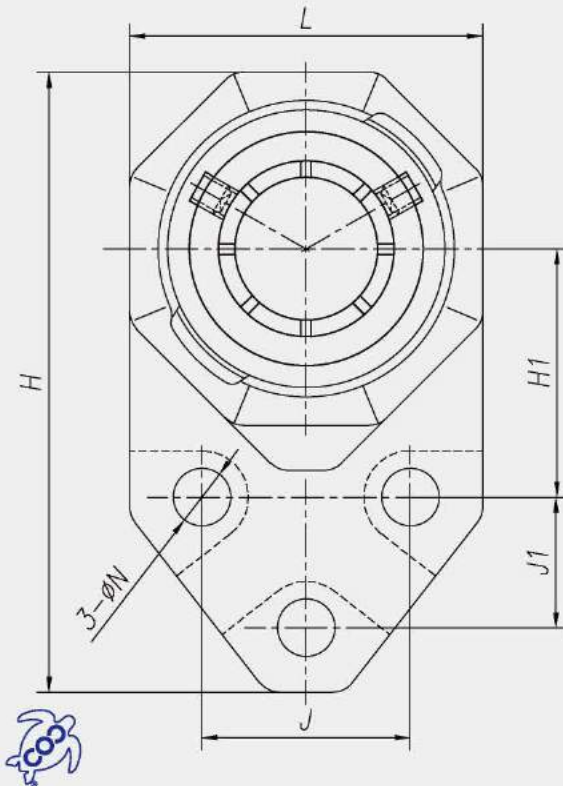
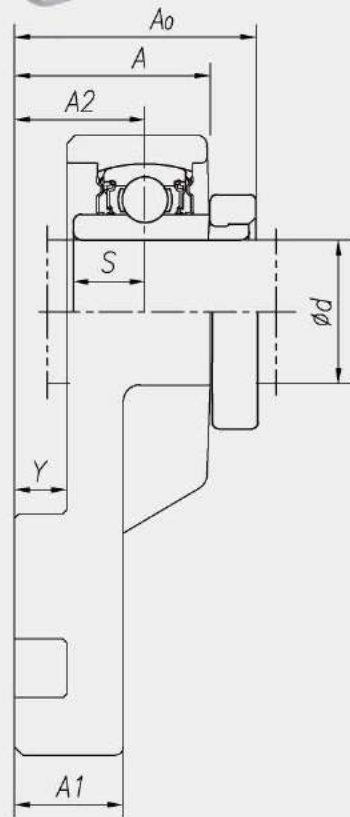
OCCLOC™ stainless steel
3-bolt flange unit.



Unit Number	Shaft Dia. D	H	L	A	J	J1	H1	N	A1	A2	A0	S	Bolt Size	Weight
		in. mm	in. mm	in. mm	in. mm	in. mm	in. mm	in. mm	in. mm	in. mm	in. mm	in. mm	in. mm	in. mm
OCSFB204-8	1/2 in.													
OCSFB204-10	5/8 in.	4-1/8	2-9/32	1-3/64	1-1/2	7/8	1-11/16	15/32	5/16	17/32	1-15/64	1/2	3/8	1.01
OCSFB204-12	3/4 in.	105	58	26.5	38.1	22.2	42.9	12	8	13.5	31.5	12.7	M10	0.46
OCSFB204	20 mm													
OCSFB205-14	7/8 in.													
OCSFB205-15	15/16 in.	4-39/64	2-15/32	1-9/64	1-5/8	1-1/8	1-13/16	15/32	13/32	19/32	1-23/64	9/16	3/8	1.21
OCSFB205	25 mm	117	63	29	41.3	28.6	46	12	10	15	34.8	14.3	M10	0.55
OCSFB205-16	1 in.													
OCSFB206-18	1-1/8 in.													
OCSFB206	30 mm	5-13/16	3	1-15/64	1-7/8	1-1/4	2-1/16	15/32	13/32	21/32	1-35/64	5/8	3/8	2.11
OCSFB206-19	1-3/16 in.	133	76	31.5	47.6	31.8	52.4	12	10	17	39.2	15.9	M10	0.96
OCSFB206-20	1-1/4 in.													
OCSFB207-20	1-1/4 in.													
OCSFB207-21	1-5/16 in.													
OCSFB207-22	1-3/8 in.	5-15/16	3-3/8	1-11/32	2	1-1/4	2-3/8	19/32	1/2	3/4	1-13/16	11/16	1/2	3.10
OCSFB207	35 mm	151	86	34	50.8	31.8	60.3	15	12.7	19	46	17.5	M14	1.41
OCSFB207-23	1-7/16 in.													

OCSHFB

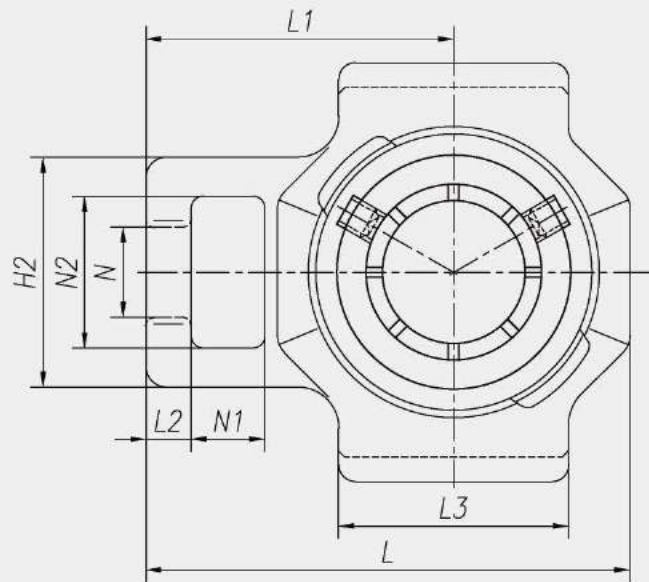
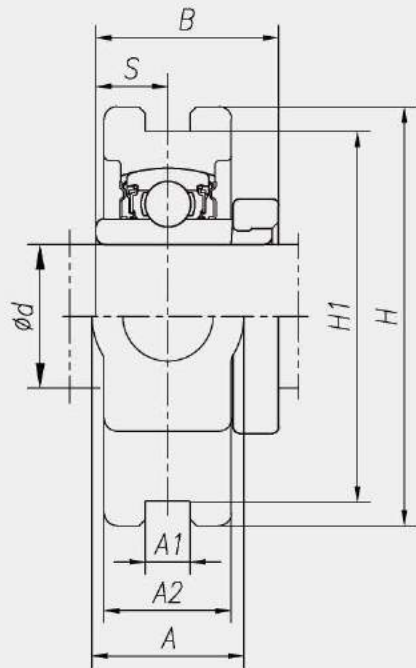
OCCLOC™ stainless steel
3-bolt stand-off flange unit.



Unit Number	Shaft Dia. D	H	L	A	J	J1	H1	N	A1	A2	A0	S	Y	Bolt Size	Weight
		in. mm	in. mm	in. mm	in. mm	in. mm	in. mm	in. mm	in. mm	in. mm	in. mm	in. mm	in. mm	in. mm	in. mm
OCSHFB204-8	1/2 in.														
OCSHFB204-10	5/8 in.	4-1/8	2-9/32	1-35/64	1-1/2	7/8	1-11/16	15/32	13/16	1-1/32	1-3/4	1/2	1/2	3/8	1.21
OCSHFB204-12	3/4 in.	105	58	39.2	38.1	22.2	42.9	12	20.7	26.2	44.2	12.7	12.7	M10	0.55
OCSHFB204	20 mm														
OCSHFB205-14	7/8 in.														
OCSHFB205-15	15/16 in.	4-39/64	2-15/32	1-41/64	1-5/8	1-1/8	1-13/16	15/32	57/64	1-3/32	1-7/8	9/16	1/2	3/8	1.45
OCSHFB205	25 mm	117	63	41.7	41.3	28.6	46	12	22.7	27.7	47.5	14.3	12.7	M10	0.66
OCSHFB205-16	1 in.														
OCSHFB206-18	1-1/8 in.														
OCSHFB206	30 mm	5-13/16	3	1-3/4	1-7/8	1-1/4	2-1/16	15/32	57/64	1-11/64	2-3/64	5/8	1/2	3/8	2.43
OCSHFB206-19	1-3/16 in.	133	76	44.2	47.6	31.8	52.4	12	22.7	29.7	51.9	15.9	12.7	M10	1.10
OCSHFB206-20	1-1/4 in.														
OCSHFB207-20	1-1/4 in.														
OCSHFB207-21	1-5/16 in.														
OCSHFB207-22	1-3/8 in.	5-15/16	3-3/8	1-27/32	2	1-1/4	2-3/8	19/32	1	1-1/4	2-5/16	11/16	1/2	1/2	3.56
OCSHFB207	35 mm	151	86	46.7	50.8	31.8	60.3	15	25.4	31.7	58.7	17.5	12.7	M14	1.62
OCSHFB207-23	1-7/16 in.														

OCST

OCCLOC™ stainless steel take-up unit.

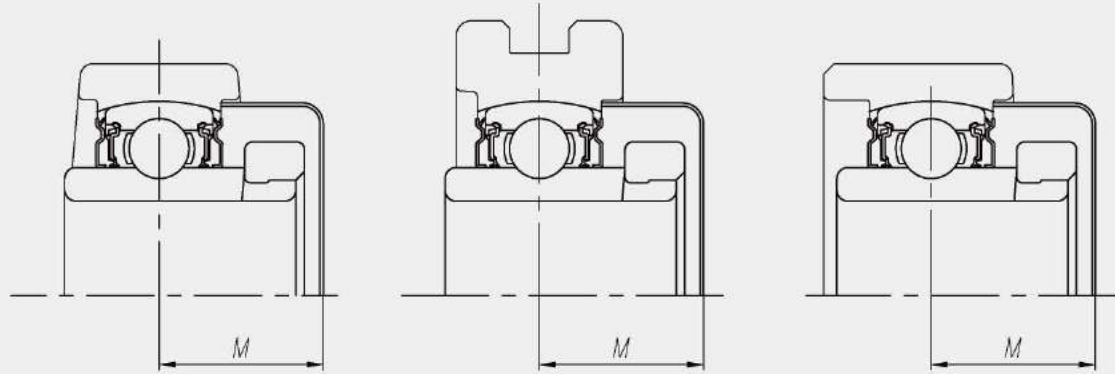
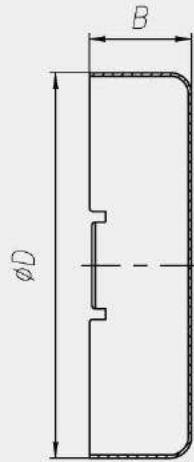


Unit Number	Shaft Dia. D	A	A1	A2	H	H1	H2	L	L1	L2	L3	N	N1	N2	B	S	Weight	
		in. mm	in. mm	in. mm	in. mm	in. mm	in. mm	in. mm	in. mm	in. mm	in. mm	in. mm	in. mm	in. mm	in. mm	in. mm	in. mm	lbs kg
OCST205-14	7/8 in.																	
OCST205-15	15/16 in.	1-1/4 32	15/32 12	31/32 25	3-1/2 89	2-63/64 76	1-13/16 46	3-19/32 91.5	2-3/8 60	11/32 9	1-23/32 44	3/4 19	23/32 18	1-1/4 32	1-11/32 34.1	9/16 14.3	2.02 0.92	
OCST205	25 mm																	
OCST205-16	1 in.																	
OCST206-18	1-1/8 in.																	
OCST206	30 mm	1-15/32 37	15/32 12	1-1/16 27	4-1/32 102	3-1/2 89	2-1/16 52	4-1/8 105	2-5/8 67	11/32 9	1-31/32 50	7/8 22	23/32 18	1-15/32 37	1-1/2 38.1	5/8 15.9	2.75 1.25	
OCST206-19	1-3/16 in.																	
OCST206-20	1-1/4 in.																	
OCST207-20	1-1/4 in.																	
OCST207-21	1-5/16 in.																	
OCST207-22	1-3/8 in.	1-15/32 37	15/32 12	1-7/32 31	4-1/32 102	3-1/2 89	2-7/32 56	4-21/32 118	2-15/16 75	7/16 11	2-7/32 56	7/8 22	23/32 18	1-15/32 37	1-11/16 42.9	11/16 17.5	3.74 1.70	
OCST207	35 mm																	
OCST207-23	1-7/16 in.																	



Stainless steel safty cover

TECHNICAL DATA



SP, SHP, SPA, SHPA
Pillow Block units

ST
Take-up units

SF, SHF, SFL, SHFL, SFB, SHFB
Flange units

NUMBER	D	B	M
	in. mm	in. mm	in. mm
SD04	1-27/32 46.5	19/32 15	31/32 24
SD05	2-1/32 51.5	5/8 16	1-1/32 26
SD06	2-7/16 61.5	11/16 17	1-3/32 27.5
SD07	2-13/16 71.5	3/4 19	1-7/32 30.5
SD08	3-1/8 79.5	29/32 23	1-3/8 35



LUBRICANT

The grease used is FUCHS CASSIDA GREASE GTS 2.

The grease is certified and registered by NSF H1 and meets with Kosher and Halal food regulations. Specialty extreme pressure calcium sulphonate complex greases with synthetic base fluid. Excellent extreme pressure, anti-wear and corrosion prevention properties.

SHAFT TOLERANCES

Shaft Dia.		Shaft Tolerance (h9)	
Over in. (mm)	Incl. in. (mm)	Max. in. (mm)	Min. in. (mm)
0.472 (12)	0.708 (18)	0.000 (0)	-0.0017 (-0.043)
0.708 (18)	1.181 (30)	0.000 (0)	-0.0020 (-0.052)
1.181 (30)	1.968 (50)	0.000 (0)	-0.0024 (-0.062)

MOUNTING BOLTS TORQUE TABLE

Bolt Size	Torque
3/8 in. (M10)	168 in-lbs (19 Nm)
7/16 in. (M12)	292 in-lbs (33 Nm)
1/2 in. (M14)	397 in-lbs (45 Nm)

OCCLOC™ SET SCREW TORQUE TABLE

Bearing No.	Setscrew	Torque
204	M6x0.75	40.6 in-lbs (4.6 Nm)
205	M6x0.75	40.6 in-lbs (4.6 Nm)
206	M6x0.75	40.6 in-lbs (4.6 Nm)
207	M8x1	86.3 in-lbs (9.8 Nm)
208	M8x1	86.3 in-lbs (9.8 Nm)

ALLOWABLE ROTATING TOP SPEED

Bearing No.	Speed (RPM)
204	4387
205	3900
206	3262
207	2850
208	2437

BASIC LOAD RATINGS

Bearing Size Code	Dynamic Cr		Static Cor	
	lbs	kN	lbs	kN
OCS204	2497	11.1	1217	5.41
OCS205	2745	12.2	1462	6.5
OCS206	3757	16.7	1867	9.11
OCS207	4927	21.9	2812	12.5
OCS208	5602	24.9	3262	14.5