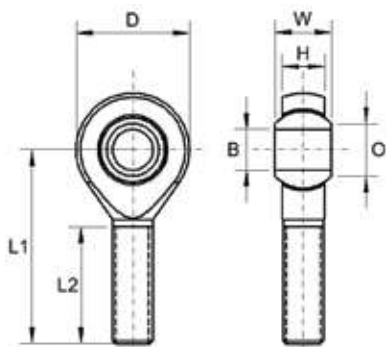




MALE ROD ENDS



MS SERIES: MS – MSS – MS SS

Description:

MS Series is our 3-piece steel on steel range of male rod ends incorporating a high strength PTFE bronze mesh between the ball and the liner material, suitable for high shock loads and medium to heavy mechanical load applications requiring low friction, available in both metric and imperial bore thread sizes, they do not require maintenance.

Material Specifications:

Housing: Steel 230M07Pb and forged 080M46, zinc plated and clear trivalent passivate and stainless steel 303L and forged 304. Inner Ring: Steel 070M20 zinc plated and clear trivalent passivate. Liner: High strength PTFE bronze mesh composite. Ball: Bearing steel 100Cr6, heat treated, polished & electroless nickel plated and stainless steel 440C

Features:

Metric & imperial thread & bore sizes, low friction, high shock loads. Extended wear life No maintenance Studded and stainless steel options.

Possible Applications:

Medium/heavy industrial/mechanical applications Construction equipment Agricultural equipment Motor sport and recreational vehicles requiring high precision motion control.

Temperature Range:

-200°C to + 260°C

Specification:

ELV & RoHS compliant

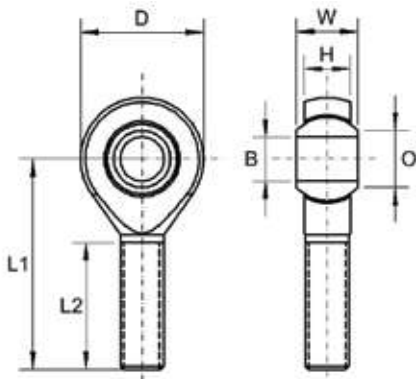
Interchange table

Dunlop	Rose	Aurora	Askubal	SKF	ASAHI	IKO	Fluro
MS-M (metric)	MMC	MM-M-T and MB-M-T	KA-P	SAKB-F	JAM-EC	POS-EC	GASW
MS (imperial)	RMC	MM-T and MB-T	-	-		POSB-EC	

Note: Manufacturers part numbers are used for descriptive purposes only and may not be direct equivalent products.



MS SERIES: MAINTENANCE FREE - ROD ENDS WITH MALE THREAD (METRIC)



- Housing:** Steel 230M07Pb (Sizes M05 – M12)
Forged 080M46 (Sizes M14 – M25)
Zinc Plated and Clear Trivalent Passivate
- Inner Ring:** Steel 070M20, Zinc Plated and Clear Trivalent Passivate
- Ball:** Bearing Steel 100Cr6, Hardened and Electro-less Nickel Plated
- Liner:** High Strength PTFE composite
- Specification:** ELV and RoHS Compliant



Part No. Right Hand	Part No. Left Hand	Bore Size	Thread	W	H	D	L1	L2	O	Static Load Rating (Newtons) Radial
MS-M05	MSL-M05	5	M5x0.80	8	6.00	18	33	20	7.70	4,300
MS-M06-5	MSL-M06-5	5	M6X1.00	9	6.75	20	36	22	8.90	6,000
MS-M06	MSL-M06	6	M6X1.00	9	6.75	20	36	22	8.90	6,000
MS-M08-6	MSL-M08-6	6	M8X1.25	12	9.00	24	42	25	10.40	11,100
MS-M08-6C	MSL-M08-6C	6	M8X1.00	12	9.00	24	42	25	10.40	11,100
MS-M08	MSL-M08	8	M8X1.25	12	9.00	24	42	25	10.40	11,100
MS-M08C	MSL-M08C	8	M8X1.00	12	9.00	24	42	25	10.40	11,100
MS-M10-8	MSL-M10-8	8	M10X1.50	14	10.50	28	48	29	12.90	17,500
MS-M10-8C	MSL-M10-8C	8	M10X1.25	14	10.50	28	48	29	12.90	17,500
MS-M10	MSL-M10	10	M10X1.50	14	10.50	28	48	29	12.90	17,500
MS-M10C	MSL-M10C	10	M10X1.25	14	10.50	28	48	29	12.90	17,500
MS-M12-10	MSL-M12-10	10	M12X1.75	16	12.00	32	54	33	15.40	23,600
MS-M12-10C	MSL-M12-10C	10	M12X1.25	16	12.00	32	54	33	15.40	23,600
MS-M12	MSL-M12	12	M12X1.75	16	12.00	32	54	33	15.40	23,600
MS-M12C	MSL-M12C	12	M12X1.25	16	12.00	32	54	33	15.40	23,600
MS-M14-12	MSL-M14-12	12	M14X2.00	19	13.50	36	60	38	16.80	29,200
MS-M14-12C	MSL-M14-12C	12	M14X1.50	19	13.50	36	60	38	16.80	29,200
MS-M14	MSL-M14	14	M14X2.00	19	13.50	36	60	38	16.80	29,200
MS-M14C	MSL-M14C	14	M14X1.50	19	13.50	36	60	38	16.80	29,200
MS-M16-14	MSL-M16-14	14	M16X2.00	21	15.00	42	66	40	19.30	32,100
MS-M16-14C	MSL-M16-14C	14	M16X1.50	21	15.00	42	66	40	19.30	32,100
MS-M16	MSL-M16	16	M16X2.00	21	15.00	42	66	40	19.30	32,100
MS-M16C	MSL-M16C	16	M16X1.50	21	15.00	42	66	40	19.30	32,100
MS-M18-16C	MSL-M18-16C	16	M18X1.50	23	16.50	46	72	44	21.80	38,400
MS-M18C	MSL-M18C	18	M18X1.50	23	16.50	46	72	44	21.80	38,400
MS-M20-18	MSL-M20-18	18	M20X2.50	25	18.00	50	78	47	24.30	45,000
MS-M20-18C	MSL-M20-18C	18	M20X1.50	25	18.00	50	78	47	24.30	45,000
MS-M20	MSL-M20	20	M20X2.50	25	18.00	50	78	47	24.30	45,000
MS-M20C	MSL-M20C	20	M20X1.50	25	18.00	50	78	47	24.30	45,000
MS-M22-20	MSL-M22-20	20	M22X1.50	28	20.00	54	84	51	25.80	52,750
MS-M22	MSL-M22	22	M22X1.50	28	20.00	54	84	51	25.80	52,750
MS-M25-20	MSL-M25-20	20	M24X2.00	31	22.00	60	94	57	29.60	60,900
MS-M25	MSL-M25	25	M24X2.00	31	22.00	60	94	57	29.60	60,900

For stainless steel add 'SS' to part no. For example 'MS-M05 SS'

Materials

DUNLOP rod ends, spherical bearings, ball joints and clevises are available in a wide range of materials, steel, stainless steel and aluminium housings, nylon, PTFE and bronze races and steel, stainless steel and Bronze balls. Please refer to table below.

Housings

- Steel 230M07PB is used for all general purpose applications and are zinc plated and white-blue passivate (silver/clear finish) that conforms with RoHS directives on banned substances and ELV 2000/53/EC and are trivalent. Other plating colours and options are available, please refer to our 'Plating options section on page 14.
- Alloy steel, gives extreme load carrying capacity, extended wear life and high shock load resistance.
- Stainless steel 303L offers excellent corrosion resistance, other stainless steel materials such as 304 and 316 are available to order, please discuss with our sales or engineering departments.
- Aluminium A6026 also has corrosion resistance and weight reduction for lighter applications.

Races

- Nylon races are glass fibre reinforced and are suitable for extended high cycling use in heavy applications, also excellent in damp or wet environments.
- PTFE races provide zero backlash, smooth movement and can withstand extreme temperature conditions -200°C to + 260°C, and are suitable for use in high cycling use in heavy applications.
- Bronze design races SAE660 are suitable for low speed high duty loading, general purpose applications.

Spherical balls

- Steel 100Cr6 spherical balls are produced from high quality bearing steel and are heat treated and hardened to HRC 58-62 and electroless nickel plated.
- Stainless steel 440C spherical balls offer excellent corrosion resistance.
- Alloy steel, gives extreme load carrying capacity, extended wear life and high shock load resistance.
- Bronze SAE660 spherical balls are suitable for applications that require the pin or shaft fitted through the bore to rotate.

We reserve the right to vary the materials shown in the interest of product replacement or improvement.

Product Series	Housing Material	Housing Plating	Race Material	Ball/Ball Stud material	Ball Plating
MP / FP	230M07PB	ZINC WHITE/BLUE PASSIVATE	GR-NYLON	100CR6	ELECTROLESS NICKEL
MP-SS / FP-SS	303L	NOT PLATED	GR-NYLON	440C	NOT PLATED
MB / FB	230M07PB	ZINC WHITE/BLUE PASSIVATE	SAE660	100CR6	ELECTROLESS NICKEL
MB-SS / FB-SS	303L	NOT PLATED	SAE660	440C	NOT PLATED
MH / FH	230M07PB	ZINC WHITE/BLUE PASSIVATE	POLYURETHANE	230M07PB	NITROTEC
MH-SS / FH-SS	303L	NOT PLATED	POLYURETHANE	440C	NOT PLATED
MS / FS	230M07PB	ZINC WHITE/BLUE PASSIVATE	230M07PB / PTFE FABRIC	100CR6	ELECTROLESS NICKEL
MS-SS / FS-SS	303L	NOT PLATED	304L / PTFE FABRIC	440C	NOT PLATED
MSX / FSX	708M40	ZINC WHITE/BLUE PASSIVATE	230M07PB / PTFE MESH	100Cr6	ELECTROLESS NICKEL
MSX-MS / FSX-MS	17-4PH	N/A	17-4PH	440C	N/A
MX / FX	817M40	PHOSPHATED	N/A	100Cr6	PHOSPHATED