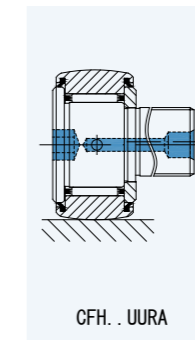
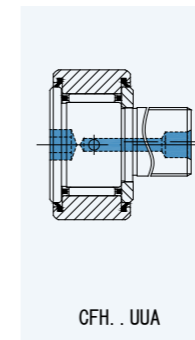
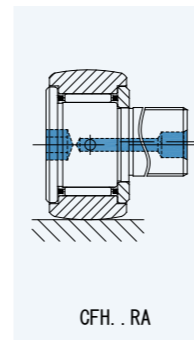
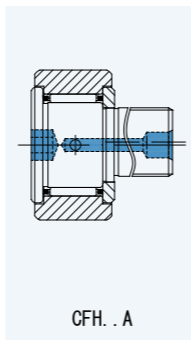
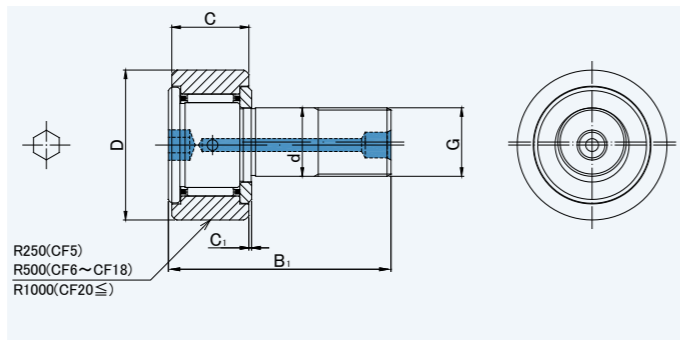


CAM FOLLOWERS

SOLID ECCENTRIC TYPE

HEXAGON SOCKET ON STUD HEAD



CFH..A, RA, UUA, UURA

CFH..A, RA, UUA, UURA

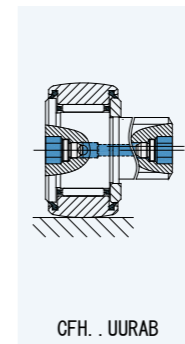
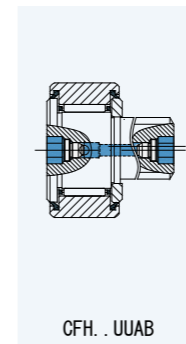
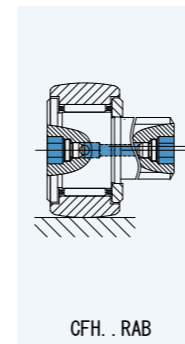
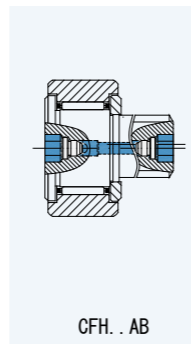
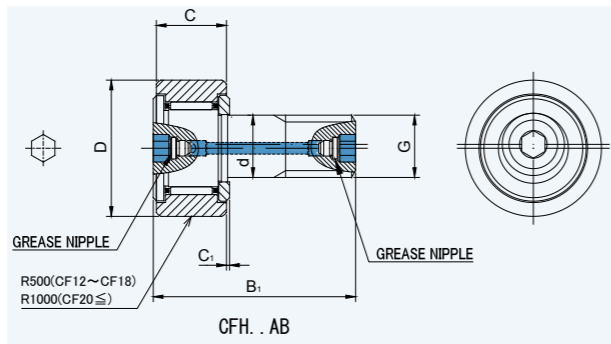
DIMENSION TABLE

INTERCHANGE TABLE

JNS NUMBER CYLINDRICAL OUTER RING WITHOUT SEALS	JNS NUMBER CROWNED OUTER RING WITHOUT SEALS	JNS NUMBER CYLINDRICAL OUTER RING WITH SEALS	JNS NUMBER CROWNED OUTER RING WITH SEALS	Mass (Approx.) g	Dimensions(mm)						Basic dynamic load rating Cr N	Basic static load rating Cor N	INA		NTN		IKO				MCGILL	
					d	D	C	G	B1	C1			CYLINDRICAL OUTER RING WITHOUT SEALS	CROWNED OUTER RING WITHOUT SEALS	CYLINDRICAL OUTER RING WITHOUT SEALS	CROWNED OUTER RING WITHOUT SEALS	CYLINDRICAL OUTER RING WITH SEALS	CROWNED OUTER RING WITH SEALS	CYLINDRICAL OUTER RING WITHOUT SEALS	CROWNED OUTER RING WITHOUT SEALS	CYLINDRICAL OUTER RING WITHOUT SEALS	CROWNED OUTER RING WITHOUT SEALS
CFH..A	CFH..RA	CFH..UUA	CFH..UURA		d	D	C	G	B1	C1	Cr N	Cor N	—	—	—	—	CFES-B	CFES-BR	CFES-BUU	CFES-BUUR	—	—
CFH5A	CFH5RA	CFH5UUA	CFH5UURA	10.5	5	13	9	M5×0.8	23	0.5	3 140	2 770	—	—	—	—	—	—	—	—	—	—
CFH5VA	CFH5VRA	CFH5VUUA	CFH5VUURA	10.5	5	13	9	M5×0.8	23	0.5	5 100	5 500	—	—	—	—	—	—	—	—	—	—
CFH6A	CFH6RA	CFH6UUA	CFH6UURA	18.5	6	16	11	M6×1	28	0.6	3 630	3 630	—	—	—	—	CFES6B	CFES6BR	CFES6BUU	CFES6BUUR	—	—
CFH6VA	CFH6VRA	CFH6VUUA	CFH6VUURA	18.5	6	16	11	M6×1	28	0.6	6 960	8 530	—	—	—	—	—	—	—	—	—	—
CFH8A	CFH8RA	CFH8UUA	CFH8UURA	28.5	8	19	11	M8×1.25	32	0.6	4 310	4 710	—	—	—	—	CFES8B	CFES8BR	CFES8BUU	CFES8BUUR	—	—
CFH8VA	CFH8VRA	CFH8VUUA	CFH8VUURA	28.5	8	19	11	M8×1.25	32	0.6	8 130	11 170	—	—	—	—	—	—	—	—	—	—
CFH10A	CFH10RA	CFH10UUA	CFH10UURA	45	10	22	12	M10×1.25	36	0.6	5 390	6 860	—	—	—	—	CFES10B	CFES10BR	CFES10BUU	CFES10BUUR	—	—
CFH10VA	CFH10VRA	CFH10VUUA	CFH10VUURA	45	10	22	12	M10×1.25	36	0.6	9 510	14 500	—	—	—	—	—	—	—	—	—	—
CFH10-1A	CFH10-1RA	CFH10-1UUA	CFH10-1UURA	60	10	26	12	M10×1.25	36	0.6	5 390	6 860	—	—	—	—	CFES10-1B	CFES10-1BR	CFES10-1BUU	CFES10-1BUUR	—	—
CFH10-1VA	CFH10-1VRA	CFH10-1VUUA	CFH10-1VUURA	60	10	26	12	M10×1.25	36	0.6	9 510	14 500	—	—	—	—	—	—	—	—	—	—
CFH12A	CFH12RA	CFH12UUA	CFH12UURA	95	12	30	14	M12×1.5	40	0.6	7 940	9 800	—	—	—	—	CFES12B	CFES12BR	CFES12BUU	CFES12BUUR	—	—
CFH12VA	CFH12VRA	CFH12VUUA	CFH12VUURA	95	12	30	14	M12×1.5	40	0.6	13 430	19 700	—	—	—	—	—	—	—	—	—	—
CFH12-1A	CFH12-1RA	CFH12-1UUA	CFH12-1UURA	105	12	32	14	M12×1.5	40	0.6	7 940	9 800	—	—	—	—	CFES12-1B	CFES12-1BR	CFES12-1BUU	CFES12-1BUUR	—	—
CFH12-1VA	CFH12-1VRA	CFH12-1VUUA	CFH12-1VUURA	105	12	32	14	M12×1.5	40	0.6	13 430	19 700	—	—	—	—	—	—	—	—	—	—
CFH16A	CFH16RA	CFH16UUA	CFH16UURA	170	16	35	18	M16×1.5	52	0.8	12 050	18 330	—	—	—	—	CFES16B	CFES16BR	CFES16BUU	CFES16BUUR	—	—
CFH16VA	CFH16VRA	CFH16VUUA	CFH16VUURA	170	16	35	18	M16×1.5	52	0.8	20 680	37 630	—	—	—	—	—	—	—	—	—	—
CFH18A	CFH18RA	CFH18UUA	CFH18UURA	250	18	40	20	M18×1.5	58	0.8	14 700	25 200	—	—	—	—	CFES18B	CFES18BR	CFES18BUU	CFES18BUUR	—	—
CFH18VA	CFH18VRA	CFH18VUUA	CFH18VUURA	250	18	40	20	M18×1.5	58	0.8	25 280	51 350	—	—	—	—	—	—	—	—	—	—
CFH20A	CFH20RA	CFH20UUA	CFH20UURA	460	20	52	24	M20×1.5	66	0.8	20 680	34 600	—	—	—	—	—	—	—	—	—	—
CFH20VA	CFH20VRA	CFH20VUUA	CFH20VUURA	460	20	52	24	M20×1.5	66	0.8	33 120	64 480	—	—	—	—	—	—	—	—	—	—
CFH20-1A	CFH20-1RA	CFH20-1UUA	CFH20-1UURA	385	20	47	24	M20×1.5	66	0.8	20 680	34 600	—	—	—	—	—	—	—	—	—	—
CFH20-1VA	CFH20-1VRA	CFH20-1VUUA	CFH20-1VUURA	385	20	47	24	M20×1.5	66	0.8	33 120	64 480	—	—	—	—	—	—	—	—	—	—
CFH24A	CFH24RA	CFH24UUA	CFH24UURA	815	24	62	29	M24×1.5	80	0.8	30 480	52 630	—	—	—	—	—	—	—	—	—	—
CFH24VA	CFH24VRA	CFH24VUUA	CFH24VUURA	815	24	62	29	M24×1.5	80	0.8	46 550	92 020	—	—	—	—	—	—	—	—	—	—
CFH24-1A	CFH24-1RA	CFH24-1UUA	CFH24-1UURA	1 140	24	72	29	M24×1.5	80	0.8	30 480	52 630	—	—	—	—	—	—	—	—	—	—
CFH24-1VA	CFH24-1VRA	CFH24-1VUUA	CFH24-1VUURA	1 140	24	72	29	M24×1.5	80	0.8	46 550	92 020	—	—	—	—	—	—	—	—	—	—
CFH30A	CFH30RA	CFH30UUA	CFH30UURA	1 870	30	80	35	M30×1.5	100	1	45 370	85 060	—	—	—	—	—	—	—	—	—	—
CFH30VA	CFH30VRA	CFH30VUUA	CFH30VUURA	1 870	30	80	35	M30×1.5	100	1	67 620	144 060	—	—	—	—	—	—	—	—	—	—
CFH30-1A	CFH30-1RA	CFH30-1UUA	CFH30-1UURA	2 030	30	85	35	M30×1.5	100	1	45 370	85 060	—	—	—	—	—	—	—	—	—	—
CFH30-1VA	CFH30-1VRA	CFH30-1VUUA	CFH30-1VUURA	2 030	30	85	35	M30×1.5	100	1	67 620	144 060	—	—	—	—	—	—	—	—	—	—
CFH30-2A	CFH30-2RA	CFH30-2UUA	CFH30-2UURA	2 220	30	90	35	M30×1.5	100	1	45 370	85 060	—	—	—	—	—	—	—	—	—	—
CFH30-2VA	CFH30-2VRA	CFH30-2VUUA	CFH30-2VUURA	2 220	30	90	35	M30×1.5	100	1	67 620	144 060	—	—	—	—	—	—	—	—	—	—

Stud diameter (d) 5 to 10mm : No grease refilling hole is provided

CAM FOLLOWERS
SOLID ECCENTRIC TYPE
HEXAGON SOCKET ON BOTH SIDES
GREASE NIPPLE INSTALLED



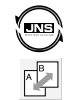
CFH..AB, RAB, UUAB, UURAB

CFH..AB, RAB, UUAB, UURAB

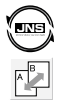
DIMENSION TABLE

INTERCHANGE TABLE

JNS NUMBER CYLINDRICAL OUTER RING WITHOUT SEALS	JNS NUMBER CROWNED OUTER RING WITHOUT SEALS	JNS NUMBER CYLINDRICAL OUTER RING WITH SEALS	JNS NUMBER CROWNED OUTER RING WITH SEALS	Mass (Approx.) g	Dimensions(mm)						Basic dynamic load rating Cr N	Basic static load rating Cor N	INA		NTN		IKO		MCGILL	
					d	D	C	G	B1	C1			CYLINDRICAL OUTER RING WITHOUT SEALS	CROWNED OUTER RING WITHOUT SEALS	CYLINDRICAL OUTER RING WITHOUT SEALS	CROWNED OUTER RING WITHOUT SEALS	CYLINDRICAL OUTER RING WITHOUT SEALS	CROWNED OUTER RING WITHOUT SEALS	CYLINDRICAL OUTER RING WITHOUT SEALS	CROWNED OUTER RING WITHOUT SEALS
CFH..AB	CFH..RAB	CFH..UUAB	CFH..UURAB										—	—	—	—	—	—	—	—
CFH12AB	CFH12RAB	CFH12UUAB	CFH12UURAB	95	12	30	14	M12×1.5	40	0.6	7 940	9 800	—	—	—	—	—	—	—	—
CFH12VAB	CFH12VRAB	CFH12VUUAB	CFH12VUURAB	95	12	30	14	M12×1.5	40	0.6	13 430	19 700	—	—	—	—	—	—	—	—
CFH12-1AB	CFH12-1RAB	CFH12-1UUAB	CFH12-1UURAB	105	12	32	14	M12×1.5	40	0.6	7 940	9 800	—	—	—	—	—	—	—	—
CFH12-1VAB	CFH12-1VRAB	CFH12-1VUUAB	CFH12-1VUURAB	105	12	32	14	M12×1.5	40	0.6	13 430	19 700	—	—	—	—	—	—	—	—
CFH16AB	CFH16RAB	CFH16UUAB	CFH16UURAB	170	16	35	18	M16×1.5	52	0.8	12 050	18 330	—	—	—	—	—	—	—	—
CFH16VAB	CFH16VRAB	CFH16VUUAB	CFH16VUURAB	170	16	35	18	M16×1.5	52	0.8	20 680	37 630	—	—	—	—	—	—	—	—
CFH18AB	CFH18RAB	CFH18UUAB	CFH18UURAB	250	18	40	20	M18×1.5	58	0.8	14 700	25 200	—	—	—	—	—	—	—	—
CFH18VAB	CFH18VRAB	CFH18VUUAB	CFH18VUURAB	250	18	40	20	M18×1.5	58	0.8	25 280	51 350	—	—	—	—	—	—	—	—
CFH20AB	CFH20RAB	CFH20UUAB	CFH20UURAB	460	20	52	24	M20×1.5	66	0.8	20 680	34 600	—	—	—	—	—	—	—	—
CFH20VAB	CFH20VRAB	CFH20VUUAB	CFH20VUURAB	460	20	52	24	M20×1.5	66	0.8	33 120	64 480	—	—	—	—	—	—	—	—
CFH20-1AB	CFH20-1RAB	CFH20-1UUAB	CFH20-1UURAB	385	20	47	24	M20×1.5	66	0.8	20 680	34 600	—	—	—	—	—	—	—	—
CFH20-1VAB	CFH20-1VRAB	CFH20-1VUUAB	CFH20-1VUURAB	385	20	47	24	M20×1.5	66	0.8	33 120	64 480	—	—	—	—	—	—	—	—
CFH24AB	CFH24RAB	CFH24UUAB	CFH24UURAB	815	24	62	29	M24×1.5	80	0.8	30 480	52 630	—	—	—	—	—	—	—	—
CFH24VAB	CFH24VRAB	CFH24VUUAB	CFH24VUURAB	815	24	62	29	M24×1.5	80	0.8	46 550	92 020	—	—	—	—	—	—	—	—
CFH24-1AB	CFH24-1RAB	CFH24-1UUAB	CFH24-1UURAB	1 140	24	72	29	M24×1.5	80	0.8	30 480	52 630	—	—	—	—	—	—	—	—
CFH24-1VAB	CFH24-1VRAB	CFH24-1VUUAB	CFH24-1VUURAB	1 140	24	72	29	M24×1.5	80	0.8	46 550	92 020	—	—	—	—	—	—	—	—
CFH30AB	CFH30RAB	CFH30UUAB	CFH30UURAB	1 870	30	80	35	M30×1.5	100	1	45 370	85 060	—	—	—	—	—	—	—	—
CFH30VAB	CFH30VRAB	CFH30VUUAB	CFH30VUURAB	1 870	30	80	35	M30×1.5	100	1	67 620	144 060	—	—	—	—	—	—	—	—
CFH30-1AB	CFH30-1RAB	CFH30-1UUAB	CFH30-1UURAB	2 030	30	85	35	M30×1.5	100	1	45 370	85 060	—	—	—	—	—	—	—	—
CFH30-1VAB	CFH30-1VRAB	CFH30-1VUUAB	CFH30-1VUURAB	2 030	30	85	35	M30×1.5	100	1	67 620	144 060	—	—	—	—	—	—	—	—
CFH30-2AB	CFH30-2RAB	CFH30-2UUAB	CFH30-2UURAB	2 220	30	90	35	M30×1.5	100	1	45 370	85 060	—	—	—	—	—	—	—	—
CFH30-2VAB	CFH30-2VRAB	CFH30-2VUUAB	CFH30-2VUURAB	2 220	30	90	35	M30×1.5	100	1	67 620	144 060	—	—	—	—	—	—	—	—



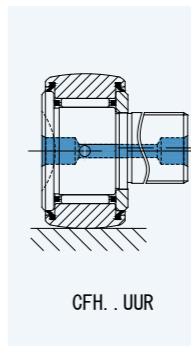
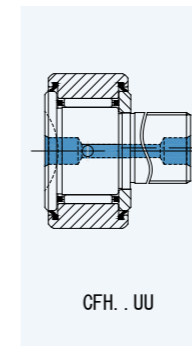
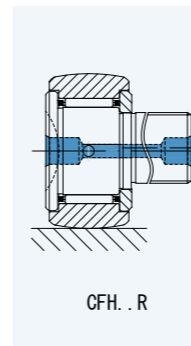
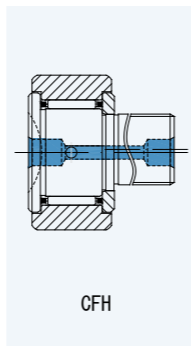
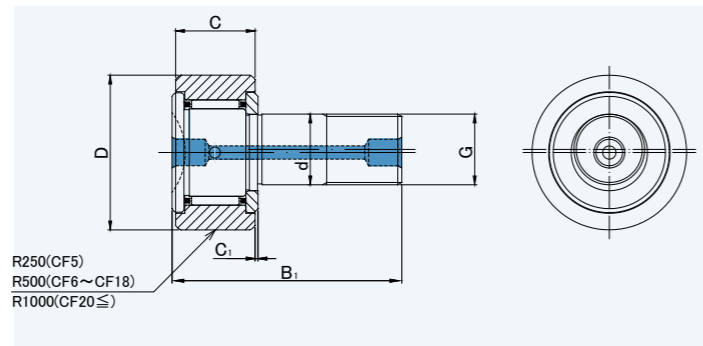
INTERCHANGE



INTERCHANGE

CAM FOLLOWERS

SOLID ECCENTRIC TYPE SCREWDRIVER SLOT HEAD



CFH, R, UU, UUR

CFH, R, UU, UUR

DIMENSION TABLE

INTERCHANGE TABLE

JNS NUMBER CYLINDRICAL OUTER RING WITHOUT SEALS	JNS NUMBER CROWNED OUTER RING WITHOUT SEALS	JNS NUMBER CYLINDRICAL OUTER RING WITH SEALS	JNS NUMBER CROWNED OUTER RING WITH SEALS	Mass (Approx.) g	Dimensions(mm)						Basic dynamic load rating Cr N	Basic static load rating Cor N	INA				NTN				IKO				MCGILL	
					d	D	C	G	B1	C1			CYLINDRICAL OUTER RING WITHOUT SEALS	CROWNED OUTER RING WITHOUT SEALS	CYLINDRICAL OUTER RING WITH SEALS	CROWNED OUTER RING WITH SEALS	CYLINDRICAL OUTER RING WITHOUT SEALS	CROWNED OUTER RING WITHOUT SEALS	CYLINDRICAL OUTER RING WITH SEALS	CROWNED OUTER RING WITH SEALS	CYLINDRICAL OUTER RING WITHOUT SEALS	CROWNED OUTER RING WITHOUT SEALS				
CFH	CFH..R	CFH..UU	CFH..UUR		d	D	C	G	B1	C1			—	—	KRU..X	KRU	KRU..LLX	KRU..LL	CFES	CFES..R	CFES-UU	CFES-UUR	—	—		
CFH5	CFH5R	CFH5UU	CFH5UUR	10.5	5	13	9	M5x0.8	23	0.5	3 140	2 770	—	—	—	—	—	—	—	—	—	—	—	—		
CFH5V	CFH5VR	CFH5VUU	CFH5VUUR	10.5	5	13	9	M5x0.8	23	0.5	5 100	5 500	—	—	—	—	—	—	—	—	—	—	—	—		
CFH6	CFH6R	CFH6UU	CFH6UUR	18.5	6	16	11	M6x1	28	0.6	3 630	3 630	—	—	KRU16X	KRU16	KRU16LLX/3AS	KRU16LL/3AS/3AS	CFES6	CFES6R	CFES6UU	CFES6UUR	—	—		
CFH6V	CFH6VR	CFH6VUU	CFH6VUUR	18.5	6	16	11	M6x1	28	0.6	6 960	8 530	—	—	—	—	—	—	—	—	—	—	—	—		
CFH8	CFH8R	CFH8UU	CFH8UUR	28.5	8	19	11	M8x1.25	32	0.6	4 310	4 710	—	—	KRU19X	KRU19	KRU19LLX/3AS	KRU19LL/3AS/3AS	CFES8	CFES8R	CFES8UU	CFES8UUR	—	—		
CFH8V	CFH8VR	CFH8VUU	CFH8VUUR	28.5	8	19	11	M8x1.25	32	0.6	8 130	11 170	—	—	—	—	—	—	—	—	—	—	—	—		
CFH10	CFH10R	CFH10UU	CFH10UUR	45	10	22	12	M10x1.25	36	0.6	5 390	6 860	—	—	KRU22X	KRU22	KRU22LLX/3AS	KRU22LL/3AS/3AS	CFES10	CFES10R	CFES10UU	CFES10UUR	—	—		
CFH10V	CFH10VR	CFH10VUU	CFH10VUUR	45	10	22	12	M10x1.25	36	0.6	9 510	14 500	—	—	—	—	—	—	—	—	—	—	—	—		
CFH10-1	CFH10-1R	CFH10-1UU	CFH10-1UUR	60	10	26	12	M10x1.25	36	0.6	5 390	6 860	—	—	KRU26X	KRU26	KRU26LLX/3AS	KRU26LL/3AS/3AS	CFES10-1	CFES10-1R	CFES10-1UU	CFES10-1UUR	—	—		
CFH10-1V	CFH10-1VR	CFH10-1VUU	CFH10-1VUUR	60	10	26	12	M10x1.25	36	0.6	9 510	14 500	—	—	—	—	—	—	—	—	—	—	—	—		
CFH12	CFH12R	CFH12UU	CFH12UUR	95	12	30	14	M12x1.5	40	0.6	7 940	9 800	—	—	KRU30X	KRU30	KRU30LLX/3AS	KRU30LL/3AS/3AS	CFES12	CFES12R	CFES12UU	CFES12UUR	—	—		
CFH12V	CFH12VR	CFH12VUU	CFH12VUUR	95	12	30	14	M12x1.5	40	0.6	13 430	19 700	—	—	—	—	—	—	—	—	—	—	—	—		
CFH12-1	CFH12-1R	CFH12-1UU	CFH12-1UUR	105	12	32	14	M12x1.5	40	0.6	7 940	9 800	—	—	KRU32X	KRU32	KRU32LLX/3AS	KRU32LL/3AS/3AS	CFES12-1	CFES12-1R	CFES12-1UU	CFES12-1UUR	—	—		
CFH12-1V	CFH12-1VR	CFH12-1VUU	CFH12-1VUUR	105	12	32	14	M12x1.5	40	0.6	13 430	19 700	—	—	—	—	—	—	—	—	—	—	—	—		
CFH16	CFH16R	CFH16UU	CFH16UUR	170	16	35	18	M16x1.5	52	0.8	12 050	18 330	—	—	KRU35X	KRU35	KRU35LLX/3AS	KRU35LL/3AS/3AS	CFES16	CFES16R	CFES16UU	CFES16UUR	—	—		
CFH16V	CFH16VR	CFH16VUU	CFH16VUUR	170	16	35	18	M16x1.5	52	0.8	20 680	37 630	—	—	—	—	—	—	—	—	—	—	—	—		
CFH18	CFH18R	CFH18UU	CFH18UUR	250	18	40	20	M18x1.5	58	0.8	14 700	25 200	—	—	KRU40X	KRU40	KRU40LLX/3AS	KRU40LL/3AS/3AS	CFES18	CFES18R	CFES18UU	CFES18UUR	—	—		
CFH18V	CFH18VR	CFH18VUU	CFH18VUUR	250	18	40	20	M18x1.5	58	0.8	25 280	51 350	—	—	—	—	—	—	—	—	—	—	—	—		
CFH20	CFH20R	CFH20UU	CFH20UUR	460	20	52	24	M20x1.5	66	0.8	20 680	34 600	—	—	KRU52X	KRU52	KRU52LLX/3AS	KRU52LL/3AS/3AS	—	—	—	—	—	—		
CFH20V	CFH20VR	CFH20VUU	CFH20VUUR	460	20	52	24	M20x1.5	66	0.8	33 120	64 480	—	—	—	—	—	—	—	—	—	—	—	—		
CFH20-1	CFH20-1R	CFH20-1UU	CFH20-1UUR	385	20	47	24	M20x1.5	66	0.8	20 680	34 600	—	—	KRU47X	KRU47	KRU47LLX/3AS	KRU47LL/3AS/3AS	—	—	—	—	—	—		
CFH20-1V	CFH20-1VR	CFH20-1VUU	CFH20-1VUUR	385	20	47	24	M20x1.5	66	0.8	33 120	64 480	—	—	—	—	—	—	—	—	—	—	—	—		
CFH24	CFH24R	CFH24UU	CFH24UUR	815	24	62	29	M24x1.5	80	0.8	30 480	52 630	—	—	KRU62X	KRU62	KRU62LLX/3AS	KRU62LL/3AS/3AS	—	—	—	—	—	—		
CFH24V	CFH24VR	CFH24VUU	CFH24VUUR	815	24	62	29	M24x1.5	80	0.8	46 550	92 020	—	—	—	—	—	—	—	—	—	—	—	—		
CFH24-1	CFH24-1R	CFH24-1UU	CFH24-1UUR	1 140	24	72	29	M24x1.5	80	0.8	30 480	52 630	—	—	KRU72X	KRU72	KRU72LLX/3AS	KRU72LL/3AS/3AS	—	—	—	—	—	—		
CFH24-1V	CFH24-1VR	CFH24-1VUU	CFH24-1VUUR	1 140	24	72	29	M24x1.5	80	0.8	46 550	92 020	—	—	—	—	—	—	—	—	—	—	—	—		
CFH30	CFH30R	CFH30UU	CFH30UUR	1 870	30	80	35	M30x1.5	100	1	45 370	85 060	—	—	KRU80X	KRU80	KRU80LLX/3AS	KRU80LL/3AS/3AS	—	—	—	—	—	—		
CFH30V	CFH30VR	CFH30VUU	CFH30VUUR	1 870	30	80	35	M30x1.5	100	1	67 620	144 060	—	—	—	—	—	—	—	—	—	—	—	—		
CFH30-1	CFH30-1R	CFH30-1UU	CFH30-1UUR	2 030	30	85	35	M30x1.5	100	1	45 370	85 060	—	—	—	—	—	—	—	—	—	—	—	—		
CFH30-1V	CFH30-1VR	CFH30-1VUU	CFH30-1VUUR	2 030	30	85	35	M30x1.5	100	1	67 620	144 060	—	—	—	—	—	—	—	—	—	—	—	—		
CFH30-2	CFH30-2R	CFH30-2UU	CFH30-2UUR	2 220	30	90	35	M30x1.5	100	1	45 370	85 060	—	—	KRU90X	KRU90	KRU90LLX/3AS	KRU90LL/3AS/3AS	—	—	—	—	—	—		
CFH30-2V	CFH30-2VR	CFH30-2VUU	CFH30-2VUUR	2 220	30	90	35	M30x1.5	100	1	67 620	144 060	—	—	—	—	—	—	—	—	—	—	—	—		

Stud diameter (d) 5 to 10mm : Without oil hole in the thread side.

INTERCHANGE

INTERCHANGE