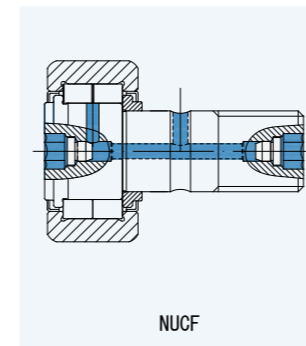
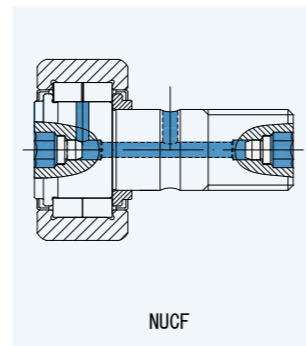
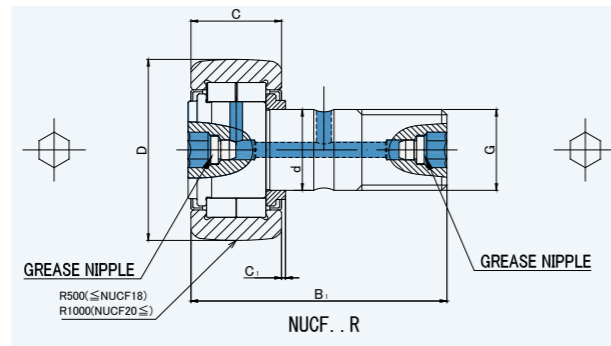


CAM FOLLOWERS
FULL COMPLIMENT DOUBLE ROW
HEXAGON SOCKET ON BOTH SIDES
GREASE NIPPLE INSTALLED

NUCF..AB, RAB



NUCF..AB, RAB

DIMENSION TABLE

INTERCHANGE TABLE

JNS NUMBER CYLINDRICAL OUTER RING	JNS NUMBER CROWNED OUTER RING	Mass (Approx.)	Dimensions(mm)						Basic dynamic load rating	Basic static load rating	INA		NTN		IKO		MCGILL	
			d	D	C	G	B1	C1			Cr N	Cor N	CYLINDRICAL OUTER RING	CROWNED OUTER RING	CYLINDRICAL OUTER RING	CROWNED OUTER RING	CYLINDRICAL OUTER RING	CROWNED OUTER RING
NUCF..AB	NUCF..RAB	g	d	D	C	G	B1	C1	Cr N	Cor N	—	NUKR	NUKR..X	NUKR	—	NUCF..R	MCFD..X	MCFD
NUCF16AB	NUCF16RAB	165	16	35	18	M16x1.5	32.5	0.8	22 300	25 700	—	NUKR35	NUKR35XH	NUKR35H	—	NUCF16BR	MCFD-35X	MCFD-35
NUCF18AB	NUCF18RAB	242	18	40	20	M18x1.5	36.5	0.8	24 100	29 100	—	NUKR40	NUKR40XH	NUKR40H	—	NUCF18BR	MCFD-40X	MCFD-40
NUCF20-1AB	NUCF20-1RAB	380	20	47	24	M20x1.5	40.5	0.8	38 500	48 000	—	NUKR47	NUKR47XH	NUKR47H	—	NUCF20-1BR	MCFD-47X	MCFD-47
NUCF20AB	NUCF20RAB	450	20	52	24	M20x1.5	40.5	0.8	42 500	57 500	—	NUKR52	NUKR52XH	NUKR52H	—	NUCF20BR	MCFD-52X	MCFD-52
NUCF24AB	NUCF24RAB	795	24	62	28	M24x1.5	49.5	1.3	56 500	72 500	—	NUKR62	NUKR62XH	NUKR62H	—	NUCF24BR	MCFD-62X	MCFD-62
NUCF24-1AB	NUCF24-1RAB	1 010	24	72	28	M24x1.5	49.5	1.3	62 000	85 500	—	NUKR72	NUKR72XH	NUKR72H	—	NUCF24-1BR	MCFD-72X	MCFD-72
NUCF30AB	NUCF30RAB	1 540	30	80	35	M30x1.5	63	1	101 000	151 000	—	NUKR80	NUKR80XH	NUKR80H	—	NUCF30BR	MCFD-80X	MCFD-80
NUCF30-2AB	NUCF30-2RAB	1 960	30	90	35	M30x1.5	63	1	101 000	151 000	—	NUKR90	NUKR90XH	NUKR90H	—	NUCF30-2BR	MCFD-90X	MCFD-90



INTERCHANGE



INTERCHANGE