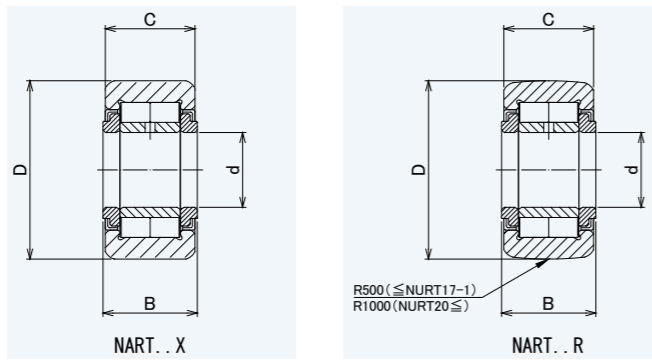


**HEAVY DUTY
TYPE ROLLER
FOLLOWERS**
NON SEPARABLE
WITH INNER RING

NURT..X, R



NURT..X, R

DIMENSION TABLE

INTERCHANGE TABLE

JNS NUMBER CYLINDRICAL OUTER RING	JNS NUMBER CROWNED OUTER RING	Mass (Approx.) g	Dimensions(mm)				Basic dynamic load rating Cr N	Basic static load rating Cor N	INA		NTN		IKO		MCGILL	
			d	D	B	C			CYLINDRICAL OUTER RING	CROWNED OUTER RING	CYLINDRICAL OUTER RING	CROWNED OUTER RING	CYLINDRICAL OUTER RING	CROWNED OUTER RING	CYLINDRICAL OUTER RING	CROWNED OUTER RING
NURT..X	NURT..R	g	d	D	B	C	Cr N	Cor N	—	NUTR	NUTR-X	NUTR	NURT	NURT-R	MCYRD-X	MCYRD
NURT15X	NURT15R	100	15	35	19	18	22 300	25 700	—	NUTR15	NUTR202X	NUTR202	NURT15	NURT15R	MCYRD-15X	MCYRD-15
NURT15-1X	NURT15-1R	160	15	42	19	18	22 300	25 700	—	NUTR15 42	NUTR302X	NUTR302	NURT15-1	NURT15-1R	—	—
NURT17X	NURT17R	147	17	40	21	20	24 100	29 100	—	NUTR17	NUTR203X	NUTR203	NURT17	NURT17R	MCYRD-17X	MCYRD-17
NURT17-1X	NURT17-1R	222	17	47	21	20	24 100	29 100	—	NUTR17 47	NUTR303X	NUTR303	NURT17-1	NURT17-1R	—	—
NURT20X	NURT20R	245	20	47	25	24	38 500	48 000	—	NUTR20	NUTR204X	NUTR204	NURT20	NURT20R	MCYRD-20X	MCYRD-20
NURT20-1X	NURT20-1R	321	20	52	25	24	38 500	48 000	—	NUTR20 52	NUTR304X	NUTR304	NURT20-1	NURT20-1R	—	—
NURT25X	NURT25R	281	25	52	25	24	42 500	57 500	—	NUTR25	NUTR205X	NUTR205	NURT25	NURT25R	MCYRD-25X	MCYRD-25
NURT25-1X	NURT25-1R	450	25	62	25	24	42 500	57 500	—	NUTR25 62	NUTR305X	NUTR305	NURT25-1	NURT25-1R	—	—
NURT30X	NURT30R	466	30	62	29	28	56 500	72 500	—	NUTR30	NUTR206X	NUTR206	NURT30	NURT30R	MCYRD-30X	MCYRD-30
NURT30-1X	NURT30-1R	697	30	72	29	28	56 500	72 500	—	NUTR30 72	NUTR306X	NUTR306	NURT30-1	NURT30-1R	—	—
NURT35X	NURT35R	630	35	72	29	28	62 000	85 500	—	NUTR35	NUTR207X	NUTR207	NURT35	NURT35R	MCYRD-35X	MCYRD-35
NURT35-1X	NURT35-1R	840	35	80	29	28	62 000	85 500	—	NUTR35 80	NUTR307X	NUTR307	NURT35-1	NURT35-1R	—	—
NURT40X	NURT40R	817	40	80	32	30	87 000	125 000	—	NUTR40	NUTR208X	NUTR208	NURT40	NURT40R	MCYRD-40X	MCYRD-40
NURT40-1X	NURT40-1R	1 130	40	90	32	30	87 000	125 000	—	NUTR40 90	NUTR308X	NUTR308	NURT40-1	NURT40-1R	—	—
NURT45X	NURT45R	883	45	85	32	30	92 000	137 000	—	NUTR45	NUTR209X	NUTR209	NURT45	NURT45R	MCYRD-45X	MCYRD-45
NURT45-1X	NURT45-1R	1 400	45	100	32	30	92 000	137 000	—	NUTR45 100	NUTR309X	NUTR309	NURT45-1	NURT45-1R	—	—
NURT50X	NURT50R	950	50	90	32	30	96 500	150 000	—	NUTR50	NUTR210X	NUTR210	NURT50	NURT50R	MCYRD-50X	MCYRD-50
NURT50-1X	NURT50-1R	1 690	50	110	32	30	96 500	150 000	—	NUTR50 110	NUTR310X	NUTR310	NURT50-1	NURT50-1R	—	—



INTERCHANGE



INTERCHANGE