

# BALL TRANSFER UNITS

PAGE

## "SPM" SERIES - HEAVY DUTY TYPE WITH FLANGE

9-10



Hardened machined steel housing with flange, turned steel cover, felt seal\*, drain hole on the bottom. Available in steel, zinc plated steel, stainless steel. Balls in chrome steel, stainless steel AISI 420, plastic material.

\* Except SPM 12, 15 and versions with plastic ball.

## "SPM" SERIES - HEAVY DUTY TYPE WITH FLANGE - SEEGER GROOVE ACCORDING TO DIN 471

11



Hardened machined steel housing with flange, groove for fixing ring, turned steel cover, felt seal\*, drain hole on the bottom. Available in steel, zinc plated steel, stainless steel. Balls in chrome steel, stainless steel AISI 420, plastic material.

\* Except SPM 15 and versions with plastic ball.

## "SBM" SERIES - HEAVY DUTY TYPE WITHOUT FLANGE

12



Hardened machined steel housing without flange, turned steel cover, felt seal\*. Available in steel, zinc plated steel, stainless steel. Balls in chrome steel, stainless steel AISI420 C, plastic material.

\* Except SBM 8, 12, 15 and versions with plastic ball.

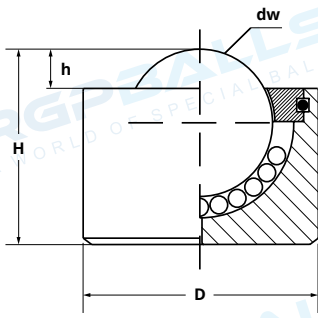
## "SPM CARGO" SERIES - FOR AIRPORT USE, DEPOSITS, FREIGHT FORWARDERS FOOTBOARDS

13

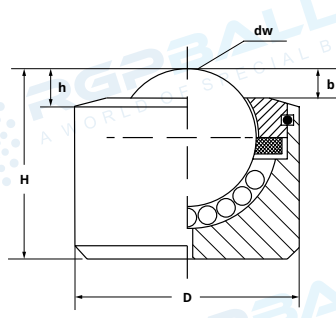


Hardened machined steel housing with flange, turned steel cover, without felt seal to ensure better smoothness and less friction. Stainless steel plate with several holes on the bottom to facilitate the escape of liquids, condensation and impurities. Available in zinc plated steel with sealing coating to increase corrosion resistance, and in stainless steel. Balls in stainless steel AISI 420.

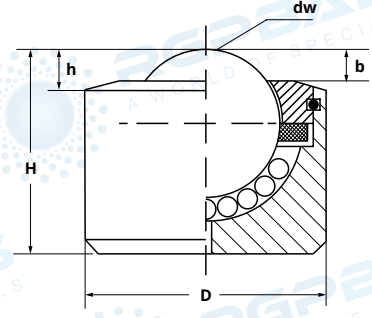
# “SBM” SERIES – HEAVY DUTY TYPE WITHOUT FLANGE



SBM 12



SBM 15



SBM 22/30/45

- Hardened machined steel housing without flange.
- Turned steel cover.
- To be used in applications which require to minimize the protrusion from the housing seat.
- In order to ensure good smoothness even under limited loads, SBM 12, 15 and all versions with main plastic ball are assembled without felt seal.
- Drain hole on the bottom.
- Working temperature for main plastic ball versions: 0°/60°\*

ITEM	TYPE	VERSION	DIMENSIONS					LOAD (Kg)		WEIGHT (Kg)
			dw	D	h	H	b			
SBM00800A	SBM 8 A	Steel housing, balls made of chrome steel	8	18 ± 0,08	2 ± 0,2	12	-	12	9	0,018
SBM01200A	SBM 12 A		12	22 ± 0,08	5,5 ± 0,2	17,5	-	20	15	0,035
SBM00800B	SBM 8 B	Zinc plated steel housing, balls made of chrome steel	8	18 ± 0,08	2 ± 0,2	12	-	12	9	0,018
SBM01200B	SBM 12 B		12	22 ± 0,08	5,5 ± 0,2	17,5	-	20	15	0,035
SBM01500B	SBM 15 B		15	24 ± 0,08	5 ± 0,1	20,9 ± 0,1	4,6 ± 0,2	50	35	0,050
SBM02200B	SBM 22 B		22	36 ± 0,08	5,6 ± 0,2	30,5	4,2	180	125	0,170
SBM03000B	SBM 30 B		30	45 ± 0,08	8 ± 0,3	36,8	5 ± 0,3	350	250	0,330
SBM04500B	SBM 45 B		45	62 ± 0,1	13 ± 0,3	53,5	10,8 ± 0,5	600	420	0,945
SBM00800C	SBM 8 C	Zinc plated steel housing, balls made of stainless steel AISI 420	8	18 ± 0,08	2 ± 0,2	12	-	10	7	0,018
SBM01200C	SBM 12 C		12	22 ± 0,08	5,5 ± 0,2	17,5	-	15	10	0,035
SBM01500C	SBM 15 C		15	24 ± 0,08	5 ± 0,1	20,9 ± 0,1	4,6 ± 0,2	40	25	0,050
SBM02200C	SBM 22 C		22	36 ± 0,08	5,6 ± 0,2	30,5	4,2	130	90	0,170
SBM03000C	SBM 30 C		30	45 ± 0,08	8 ± 0,3	36,8	5 ± 0,3	240	170	0,330
SBM04500C	SBM 45 C		45	62 ± 0,1	13 ± 0,3	53,5	10,8 ± 0,5	400	280	0,945
SBM00800SS	SBM 8 SS	housing and balls made of stainless steel AISI 420	8	18 ± 0,08	2 ± 0,2	12	-	10	9	0,018
SBM01200SS	SBM 12 SS		12	22 ± 0,08	5,5 ± 0,2	17,5	-	15	10	0,035
SBM01500SS	SBM 15 SS		15	24 ± 0,08	5 ± 0,1	20,9 ± 0,1	4,6 ± 0,2	40	25	0,050
SBM00800BD	SBM 8 BD	Zinc plated steel housing, main plastic ball, small balls in chrome steel	8	18 ± 0,08	2 ± 0,2	12	-	3	-	0,016
SBM01200BD	SBM 12 BD		12	22 ± 0,08	5,5 ± 0,2	17,5	-	5	-	0,030
SBM01500BD	SBM 15 BD		15	24 ± 0,08	5 ± 0,1	20,9 ± 0,1	4,6 ± 0,2	13	-	0,035
SBM02200BD	SBM 22 BD		22	36 ± 0,08	5,6 ± 0,2	30,5	4,2	20	-	0,140
SBM03000BD	SBM 30 BD		30	45 ± 0,08	8 ± 0,3	36,8	5 ± 0,3	25	-	0,240
SBM04500BD	SBM 45 BD		45	62 ± 0,1	13 ± 0,3	53,5	10,8 ± 0,5	30	-	0,650
SBM00800CD	SBM 8 CD	Zinc plated steel housing, main plastic ball, small balls in stainless steel AISI 420	8	18 ± 0,08	2 ± 0,2	12	-	3	-	0,016
SBM01200CD	SBM 12 CD		12	22 ± 0,08	5,5 ± 0,2	17,5	-	5	-	0,030
SBM01500CD	SBM 15 CD		15	24 ± 0,08	5 ± 0,1	20,9 ± 0,1	4,6 ± 0,2	13	-	0,035
SBM02200CD	SBM 22 CD		22	36 ± 0,08	5,6 ± 0,2	30,5	4,2	20	-	0,140
SBM03000CD	SBM 30 CD		30	45 ± 0,08	8 ± 0,3	36,8	5 ± 0,3	25	-	0,240
SBM04500CD	SBM 45 CD		45	62 ± 0,1	13 ± 0,3	53,5	10,8 ± 0,5	30	-	0,650
SBM00800SSCD	SBM 8SSCD	Main plastic ball, housing and small balls in stainless steel AISI 420	8	18 ± 0,08	2 ± 0,2	12	-	3	-	0,016
SBM01200SSCD	SBM12SSCD		12	22 ± 0,08	5,5 ± 0,2	17,5	-	5	-	0,030
SBM01500SSCD	SBM15SSCD		15	24 ± 0,08	5 ± 0,1	20,9 ± 0,1	4,6 ± 0,2	13	-	0,035