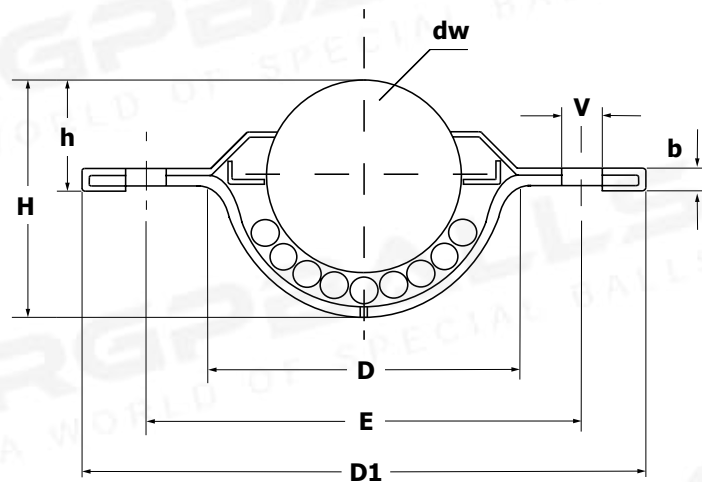


# “SPS DV” pressed metal sheet type with fixing holes



- Housing in hardened and zinc plated pressed metal sheet.
- Holes on the flange for fixing by means of screws or rivets.
- To guarantee a better fluency, the felt sealing system is not present.
- Version with the big ball made of plastic material:
  - is particularly suitable to handle gentle surfaces as glass or crystal sheets, wood panels, painted or glazed pressed metal sheets, and so on;\*
  - working temperatures 0°/60°.\*

| ARTICLE      | TYPE         | VERSION  | DIMENSIONS |             |    |            |      |     |     |    |    |    | LOADING CAPACITY (Kg) | W. (Kg) |
|--------------|--------------|--|------------|-------------|----|------------|------|-----|-----|----|----|----|-----------------------|---------|
|              |              |  | dw         | D           | D1 | h          | H    | b   | V   | E  | N° |    |                       |         |
| SPS01500BDV  | SPS 15 B DV  | Body made of zinc plated steel, balls made of AISI 52100 chrome steel                                    | 15         | 24<br>- 0,2 | 41 | 10,8 ± 0,2 | 19,3 | 3,4 | 3,5 | 30 | 2  | 15 | 0,045                 |         |
| SPS01500CDV  | SPS 15 C DV  | Body made of zinc plated steel, balls made of AISI 420C stainless steel                                  | 15         | 24<br>- 0,2 | 41 | 10,8 ± 0,2 | 19,3 | 3,4 | 3,5 | 30 | 2  | 15 | 0,045                 |         |
| SPS01500BDDV | SPS 15 BD DV | Body made of zinc plated steel, big ball made of plastic*, small balls made of AISI 52100 chrome steel   | 15         | 24<br>- 0,2 | 41 | 10,8 ± 0,2 | 19,3 | 3,4 | 3,5 | 30 | 2  | 10 | 0,034                 |         |
| SPS01500CDDV | SPS 15 CD DV | Body made of zinc plated steel, big ball made of plastic*, small balls made of AISI 420C stainless steel | 15         | 24<br>- 0,2 | 41 | 10,8 ± 0,2 | 19,3 | 3,4 | 3,5 | 30 | 2  | 10 | 0,034                 |         |
| SPS02500BDV  | SPS 25 B DV  | Body made of zinc plated steel, balls made of AISI 52100 chrome steel                                    | 25         | 38<br>- 0,3 | 56 | 14,6 ± 0,3 | 30   | 4   | 4   | 45 | 2  | 60 | 0,13                  |         |
| SPS02500CDV  | SPS 25 C DV  | Body made of zinc plated steel, balls made of AISI 420C stainless steel                                  | 25         | 38<br>- 0,3 | 56 | 14,6 ± 0,3 | 30   | 4   | 4   | 45 | 2  | 60 | 0,13                  |         |
| SPS02500BDDV | SPS 25 BD DV | Body made of zinc plated steel, big ball made of plastic*, small balls made of AISI 52100 chrome steel   | 25         | 38<br>- 0,3 | 56 | 14,6 ± 0,3 | 30   | 4   | 4   | 45 | 2  | 20 | 0,075                 |         |
| SPS02500CDDV | SPS 25 CD DV | Body made of zinc plated steel, big ball made of plastic*, small balls made of AISI 420C stainless steel | 25         | 38<br>- 0,3 | 56 | 14,6 ± 0,3 | 30   | 4   | 4   | 45 | 2  | 20 | 0,075                 |         |