

NART..X, R

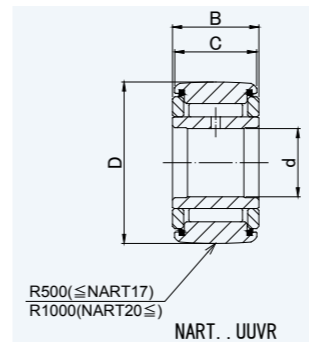
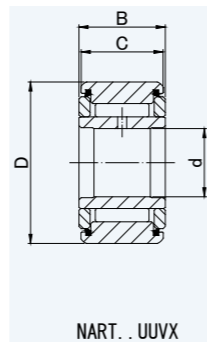
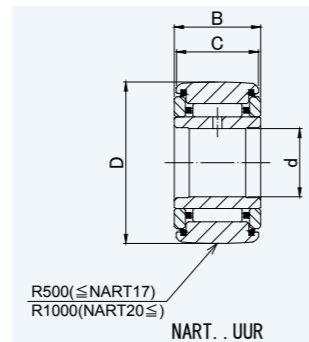
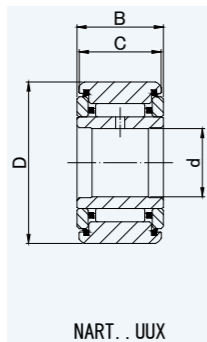
DIMENSION TABLE

INTERCHANGE TABLE

JNS NUMBER CYLINDRICAL OUTER RING	JNS NUMBER CROWNED OUTER RING	Mass (Approx.) g	Dimensions(mm)				Basic dynamic load rating Cr N	Basic static load rating Cor N	INA		NTN		IKO		MCGILL	
			d	D	B	C			CYLINDRICAL OUTER RING	CROWNED OUTER RING	CYLINDRICAL OUTER RING	CROWNED OUTER RING	CYLINDRICAL OUTER RING	CROWNED OUTER RING	CYLINDRICAL OUTER RING	CROWNED OUTER RING
NART..X	NART..R	g	d	D	B	C	Cr N	Cor N	NATR-X	NATR	NATR-X	NATR	—	NART-R	MCYRR-X	MCYRR
NART5X	NART5R	14.5	5	16	12	11	3 620	3 720	NATR5X	NATR5	NATR5X	NATR5	—	NART5R	MCYRR5X	MCYRR5
NART5VX	NART5VR	15.1	5	16	12	11	6 760	8 340	NATV5X	NATV5	NATV5X	NATV5	—	NART5VR	MCYR5X	MCYR5
NART6X	NART6R	20.5	6	19	12	11	4 200	4 700	NATR6X	NATR6	NATR6X	NATR6	—	NART6R	MCYRR6X	MCYRR6
NART6VX	NART6VR	21.5	6	19	12	11	7 640	10 300	NATV6X	NATV6	NATV6X	NATV6	—	NART6VR	MCYR6X	MCYR6
NART8X	NART8R	41.5	8	24	15	14	6 600	7 300	NATR8X	NATR8	NATR8X	NATR8	—	NART8R	MCYRR8X	MCYRR8
NART8VX	NART8VR	42.5	8	24	15	14	11 800	15 600	NATV8X	NATV8	NATV8X	NATV8	—	NART8VR	MCYR8X	MCYR8
NART10X	NART10R	64.5	10	30	15	14	8 600	8 300	NATR10X	NATR10	NATR10X	NATR10	—	NART10R	MCYRR10X	MCYRR10
NART10VX	NART10VR	66.5	10	30	15	14	15 600	18 100	NATV10X	NATV10	NATV10X	NATV10	—	NART10VR	MCYR10X	MCYR10
NART12X	NART12R	71	12	32	15	14	9 100	9 200	NATR12X	NATR12	NATR12X	NATR12	—	NART12R	MCYRR12X	MCYRR12
NART12VX	NART12VR	73	12	32	15	14	16 800	20 500	NATV12X	NATV12	NATV12X	NATV12	—	NART12VR	MCYR12X	MCYR12
NART15X	NART15R	102	15	35	19	18	14 400	17 600	NATR15X	NATR15	NATR15X	NATR15	—	NART15R	MCYRR15X	MCYRR15
NART15VX	NART15VR	106	15	35	19	18	25 100	36 400	NATV15X	NATV15	NATV15X	NATV15	—	NART15VR	MCYR15X	MCYR15
NART17X	NART17R	149	17	40	21	20	18 600	22 500	NATR17X	NATR17	NATR17X	NATR17	—	NART17R	MCYRR17X	MCYRR17
NART17VX	NART17VR	155	17	40	21	20	32 000	46 200	NATV17X	NATV17	NATV17X	NATV17	—	NART17VR	MCYR17X	MCYR17
NART20X	NART20R	250	20	47	25	24	24 100	32 700	NATR20X	NATR20	NATR20X	NATR20	—	NART20R	MCYRR20X	MCYRR20
NART20VX	NART20VR	255	20	47	25	24	41 700	67 300	NATV20X	NATV20	NATV20X	NATV20	—	NART20VR	MCYR20X	MCYR20
NART25X	NART25R	285	25	52	25	24	25 800	37 500	NATR25X	NATR25	NATR25X	NATR25	—	NART25R	MCYRR25X	MCYRR25
NART25VX	NART25VR	295	25	52	25	24	45 500	79 000	NATV25X	NATV25	NATV25X	NATV25	—	NART25VR	MCYR25X	MCYR25
NART30X	NART30R	470	30	62	29	28	36 200	56 900	NATR30X	NATR30	NATR30X	NATR30	—	NART30R	MCYRR30X	MCYRR30
NART30VX	NART30VR	485	30	62	29	28	59 800	110 400	NATV30X	NATV30	NATV30X	NATV30	—	NART30VR	MCYR30X	MCYR30
NART35X	NART35R	640	35	72	29	28	38 200	62 800	NATR35X	NATR35	NATR35X	NATR35	—	NART35R	MCYRR35X	MCYRR35
NART35VX	NART35VR	655	35	72	29	28	63 000	121 500	NATV35X	NATV35	NATV35X	NATV35	—	NART35VR	MCYR35X	MCYR35
NART40X	NART40R	845	40	80	32	30	46 200	84 700	NATR40X	NATR40	NATR40X	NATR40	—	NART40R	MCYRR40X	MCYRR40
NART40VX	NART40VR	865	40	80	32	30	76 200	164 200	NATV40X	NATV40	NATV40X	NATV40	—	NART40VR	MCYR40X	MCYR40
NART45X	NART45R	915	45	85	32	30	49 300	95 200	NATR45X	NATR45	NATR45X	NATR45	—	NART45R	MCYRR45X	MCYRR45
NART45VX	NART45VR	935	45	85	32	30	80 200	181 100	NATV45X	NATV45	NATV45X	NATV45	—	NART45VR	MCYR45X	MCYR45
NART50X	NART50R	980	50	90	32	30	51 100	102 300	NATR50X	NATR50	NATR50X	NATR50	—	NART50R	MCYRR50X	MCYRR50
NART50VX	NART50VR	1 010	50	90	32	30	84 100	198 000	NATV50X	NATV50	NATV50X	NATV50	—	NART50VR	MCYR50X	MCYR50

ROLLER FOLLOWERS
NON SEPARABLE WITH INNER RING

NART..UUX, UUR



NART..UUX, UUR

DIMENSION TABLE

INTERCHANGE TABLE

JNS NUMBER CYLINDRICAL OUTER RING	JNS NUMBER CROWNED OUTER RING	Mass (Approx.) g	Dimensions(mm)				Basic dynamic load rating Cr N	Basic static load rating Cor N	INA		NTN		IKO		MCGILL	
			d	D	B	C			CYLINDRICAL OUTER RING	CROWNED OUTER RING	CYLINDRICAL OUTER RING	CROWNED OUTER RING	CYLINDRICAL OUTER RING	CROWNED OUTER RING	CYLINDRICAL OUTER RING	CROWNED OUTER RING
NART..UUX	NART..UUR	g	d	D	B	C	Cr N	Cor N	NATR-PPX	NATR-PP	NATR-XLL	NATR-LL	—	NART-UUR	MCYRR-SX	MCYRR-S
NART5UUX	NART5UUR	14.5	5	16	12	11	3 620	3 720	NATR5PPX	NATR5PP	NATR5XLL	NATR5LL	—	NART5UUR	MCYRR5SX	MCYRR5S
NART5UUVX	NART5UUVR	15.1	5	16	12	11	6 760	8 340	NATV5PPX	NATV5PP	NATV5XLL	NATV5LL	—	NART5VUUR	MCYR5SX	MCYR5S
NART6UUX	NART6UUR	20.5	6	19	12	11	4 200	4 700	NATR6PPX	NATR6PP	NATR6XLL	NATR6LL	—	NART6UUR	MCYRR6SX	MCYRR6S
NART6UUVX	NART6UUVR	21.5	6	19	12	11	7 640	10 300	NATV6PPX	NATV6PP	NATV6XLL	NATV6LL	—	NART6VUUR	MCYR6SX	MCYR6S
NART8UUX	NART8UUR	41.5	8	24	15	14	6 600	7 300	NATR8PPX	NATR8PP	NATR8XLL	NATR8LL	—	NART8UUR	MCYRR8SX	MCYRR8S
NART8UUVX	NART8UUVR	42.5	8	24	15	14	11 800	15 600	NATV8PPX	NATV8PP	NATV8XLL	NATV8LL	—	NART8VUUR	MCYR8SX	MCYR8S
NART10UUX	NART10UUR	64.5	10	30	15	14	8 600	8 300	NATR10PPX	NATR10PP	NATR10XLL	NATR10LL	—	NART10UUR	MCYRR10SX	MCYRR10S
NART10UUVX	NART10UUVR	66.5	10	30	15	14	15 600	18 100	NATV10PPX	NATV10PP	NATV10XLL	NATV10LL	—	NART10VUUR	MCYR10SX	MCYR10S
NART12UUX	NART12UUR	71	12	32	15	14	9 100	9 200	NATR12PPX	NATR12PP	NATR12XLL	NATR12LL	—	NART12UUR	MCYRR12SX	MCYRR12S
NART12UUVX	NART12UUVR	73	12	32	15	14	16 800	20 500	NATV12PPX	NATV12PP	NATV12XLL	NATV12LL	—	NART12VUUR	MCYR12SX	MCYR12S
NART15UUX	NART15UUR	102	15	35	19	18	14 400	17 600	NATR15PPX	NATR15PP	NATR15XLL	NATR15LL	—	NART15UUR	MCYRR15SX	MCYRR15S
NART15UUVX	NART15UUVR	106	15	35	19	18	25 100	36 400	NATV15PPX	NATV15PP	NATV15XLL	NATV15LL	—	NART15VUUR	MCYR15SX	MCYR15S
NART17UUX	NART17UUR	149	17	40	21	20	18 600	22 500	NATR17PPX	NATR17PP	NATR17XLL	NATR17LL	—	NART17UUR	MCYRR17SX	MCYRR17S
NART17UUVX	NART17UUVR	155	17	40	21	20	32 000	46 200	NATV17PPX	NATV17PP	NATV17XLL	NATV17LL	—	NART17VUUR	MCYR17SX	MCYR17S
NART20UUX	NART20UUR	250	20	47	25	24	24 100	32 700	NATR20PPX	NATR20PP	NATR20XLL	NATR20LL	—	NART20UUR	MCYRR20SX	MCYRR20S
NART20UUVX	NART20UUVR	255	20	47	25	24	41 700	67 300	NATV20PPX	NATV20PP	NATV20XLL	NATV20LL	—	NART20VUUR	MCYR20SX	MCYR20S
NART25UUX	NART25UUR	285	25	52	25	24	25 800	37 500	NATR25PPX	NATR25PP	NATR25XLL	NATR25LL	—	NART25UUR	MCYRR25SX	MCYRR25S
NART25UUVX	NART25UUVR	295	25	52	25	24	45 500	79 000	NATV25PPX	NATV25PP	NATV25XLL	NATV25LL	—	NART25VUUR	MCYR25SX	MCYR25S
NART30UUX	NART30UUR	470	30	62	29	28	36 200	56 900	NATR30PPX	NATR30PP	NATR30XLL	NATR30LL	—	NART30UUR	MCYRR30SX	MCYRR30S
NART30UUVX	NART30UUVR	485	30	62	29	28	59 800	110 400	NATV30PPX	NATV30PP	NATV30XLL	NATV30LL	—	NART30VUUR	MCYR30SX	MCYR30S
NART35UUX	NART35UUR	640	35	72	29	28	38 200	62 800	NATR35PPX	NATR35PP	NATR35XLL	NATR35LL	—	NART35UUR	MCYRR35SX	MCYRR35S
NART35UUVX	NART35UUVR	655	35	72	29	28	63 000	121 500	NATV35PPX	NATV35PP	NATV35XLL	NATV35LL	—	NART35VUUR	MCYR35SX	MCYR35S
NART40UUX	NART40UUR	845	40	80	32	30	46 200	84 700	NATR40PPX	NATR40PP	NATR40XLL	NATR40LL	—	NART40UUR	MCYRR40SX	MCYRR40S
NART40UUVX	NART40UUVR	865	40	80	32	30	76 200	164 200	NATV40PPX	NATV40PP	NATV40XLL	NATV40LL	—	NART40VUUR	MCYR40SX	MCYR40S
NART45UUX	NART45UUR	915	45	85	32	30	49 300	95 200	NATR45PPX	NATR45PP	NATR45XLL	NATR45LL	—	NART45UUR	MCYRR45SX	MCYRR45S
NART45UUVX	NART45UUVR	935	45	85	32	30	80 200	181 100	NATV45PPX	NATV45PP	NATV45XLL	NATV45LL	—	NART45VUUR	MCYR45SX	MCYR45S
NART50UUX	NART50UUR	980	50	90	32	30	51 100	102 300	NATR50PPX	NATR50PP	NATR50XLL	NATR50LL	—	NART50UUR	MCYRR50SX	MCYRR50S
NART50UUVX	NART50UUVR	1 010	50	90	32	30	84 100	198 000	NATV50PPX	NATV50PP	NATV50XLL	NATV50LL	—	NART50VUUR	MCYR50SX	MCYR50S

INTERCHANGE

INTERCHANGE