

GEORGIA MOUNTAIN FOOD BANK

1642 CALVARY INDUSTRIAL DRIVE SW
GAINESVILLE, GA 30507



REVIEWED FOR CODE COMPLIANCE
By reviewing the plans/specs for Code Compliance does not relieve the owner, design professionals, contractors or their representatives from the responsibility to comply with all local, state and national codes and standards in effect at time of permit issuance. Our review is not a check of every item and does not prevent this department from requiring corrections during construction. Any changes/alterations to approved plans shall be approved to avoid voiding the permit.

Joe Davidson 10/10/2022
PLAN REVIEWER DATE

REVIEWED FOR CODE COMPLIANCE
By reviewing the plans/specs for Code Compliance does not relieve the owner, design professionals, contractors or their representatives from the responsibility to comply with all local, state and national codes and standards in effect at time of permit issuance. Our review is not a check of every item and does not prevent this department from requiring corrections during construction. Any changes/alterations to approved plans shall be approved to avoid voiding the permit.

Joe Davidson 10/10/2022
PLAN REVIEWER DATE

INDEX OF DRAWINGS

ID	NAME
G100	COVER SHEET
G101	PROJECT STANDARDS AND ABBREVIATIONS
G110	LIFE SAFETY PLANS
G500	ARCHITECTURAL SITE PLAN
G501	SURVEY
A101	EXISTING FIRST LEVEL FLOOR PLAN
A102	EXISTING SECOND LEVEL FLOOR PLAN
A103	PROPOSED FIRST LEVEL FLOOR PLAN
A104	PROPOSED FIRST LEVEL FLOOR PLAN
A105	PROPOSED SECOND LEVEL FLOOR PLAN
A106	PROPOSED SECOND LEVEL FLOOR PLAN
A107	EXISTING FIRST LEVEL REFLECTED CEILING PLAN
A108	EXISTING SECOND LEVEL REFLECTED CEILING PLAN
A109	PROPOSED FIRST LEVEL REFLECTED CEILING PLAN
A110	PROPOSED FIRST LEVEL REFLECTED CEILING PLAN
A111	PROPOSED SECOND LEVEL REFLECTED CEILING PLAN
A112	EXISTING AND PROPOSED ROOF PLAN
A201	EXISTING ELEVATIONS
A202	PROPOSED ELEVATIONS
A203	PROPOSED ELEVATIONS
A301	PROPOSED BUILDING SECTIONS
A310	WALL SECTIONS
A401	ENLARGED PLANS
A402	ENLARGED PLANS
A403	ENLARGED FINISH PLANS
A404	ENLARGED FINISH PLANS
A501	EXTERIOR AND INTERIOR DETAILS
A601	DOOR AND WINDOW FRAME TYPES, SCHEDULE, AND DETAILS
S100	STRUCTURAL GENERAL NOTES
S101	FOUNDATION/FIRST FLOOR PLAN
S102	FOUNDATION/FIRST FLOOR PLAN
S103	SECOND FLOOR FRAMING PLAN
S200	ELEVATION AND DETAILS
S201	SECTIONS AND DETAILS
S202	SECTIONS AND DETAILS
S203	SECTIONS AND DETAILS
E-0	ELECTRICAL SPECIFICATIONS
E-1	LIGHTING PLANS
E-2	LIGHTING PLANS
E-3	POWER & SYSTEMS PLANS
E-4	POWER & SYSTEMS PLANS
E-5	ELECTRICAL RISER & SCHEDULES
E-6	ELECTRICAL DETAILS
E-7	SITE LIGHTING PLANS
E-8	COMCHECK FORMS
M0.1	MECHANICAL NOTES
M0.2	MECHANICAL SCHEDULES
M1.1	OVERALL 1ST FLOOR PLAN - MECHANICAL
M1.2	OVERALL 2ND FLOOR PLAN - MECHANICAL
M2.1	ENLARGED 1ST FLOOR PLAN - MECHANICAL
M2.2	ENLARGED 2ND FLOOR PLAN - MECHANICAL
M3.1	MECHANICAL DETAILS



THIS DRAWING, AS AN INSTRUMENT OF SERVICE, IS AND SHALL REMAIN THE PROPERTY OF THE ARCHITECT AND SHALL NOT BE REPRODUCED, PUBLISHED OR USED IN ANY WAY WITHOUT THE PERMISSION OF THE ARCHITECT.

Copyright © 2022 by Syntony Design Collaborative, LLC

Drawing Revisions:
1 PLAN REVIEW COMMENTS 10.07.22

GENERAL NOTES

CONSTRUCTION NOTES:

- ALL WORK SHALL BE PERFORMED AS TO COMPLY WITH ALL GOVERNING STATUTES, ORDINANCES, GOVERNMENTAL AND JURISDICTIONAL PERMITS AND APPROVALS AS OBTAINED.
- THE ABBREVIATION OF "NIC" INDICATES WORK AND OR MATERIALS THAT IS NOT IN THE CONTRACT OF THE GENERAL CONTRACTOR. HOWEVER THIS DOES NOT RELIEVE THE GC OF THE RESPONSIBILITY OF COORDINATION.
- IN ADDITION TO THE GENERAL NOTES LISTED HEREIN, AIA DOCUMENT A201 GENERAL CONDITIONS OF THE CONTRACT FOR CONSTRUCTION SHALL APPLY.
- ANY DISCREPANCIES WITHIN THESE DRAWINGS AND/OR BETWEEN THESE DRAWINGS, SPECIFICATIONS AND EXISTING CONDITIONS SHALL BE BROUGHT TO THE ATTENTION OF THE ARCHITECT BY THE GC BEFORE START OF ANY WORK.
- GC SHALL REMOVE ALL DEBRIS AND LEAVE JOB SITE CLEAN UPON COMPLETION.
- GC SHALL BEAR FULL RESPONSIBILITY AND COSTS FOR THE FOLLOWING:
 - ALL PERMITS, LICENSES AND FEES, UNO
 - ALL TEMPORARY POWER AND UTILITIES.
 - ALL POWER, SEWER, AND UTILITY HOOK-UPS
 - ALL PLUMBING CONNECTIONS NECESSARY FOR FULLY OPERATIONAL BATHROOM FIXTURES
- PRIOR TO BEGINNING WORK THE CONTRACTOR IS RESPONSIBLE FOR LOCATING ALL UTILITIES AND PROTECTING THEM FROM DAMAGE DURING CONSTRUCTION. SHOULD DAMAGE OCCUR THE CONTRACTOR SHALL MAKE REPAIRS AT NO COST TO THE OWNER.
- CONTRACTOR TO FIELD VERIFY ALL EXISTING CONDITIONS PRIOR TO COMMENCEMENT OF WORK.
- ALL WORK SHALL BE PERFORMED IN A PROFESSIONAL MANNER AND SHALL BE IN GOOD AND USABLE CONDITION AT THE DATE OF COMPLETION THEREOF.
- ALL CONCEALED WOOD BLOCKING IN WALLS AND CEILING SHALL BE TREATED AND FLAME RETARDANT.
- ALL WALL AND CEILING CONSTRUCTION SHALL BE SUPPORTED BY STRUCTURE AND NOT BY ROOF DECK IF APPLICABLE.
- ALL PENETRATIONS THROUGH RATED ASSEMBLIES SHALL BE SEALED TO MAINTAIN RATING.
- THE OWNER IS RESPONSIBLE FOR ENGAGING ONE OR MORE APPROVED THIRD-PARTY SPECIAL INSPECTORS IN ACCORDANCE WITH CHAPTER 17 OF THE INTERNATIONAL BUILDING CODE TO MONITOR THE MATERIALS AND WORKMANSHIP CRITICAL TO THE INTEGRITY OF THE BUILDING STRUCTURE.
- ALL WALLS HAVING PLUMBING ARE TO BE SIZED TO ACCOMMODATE THE PLUMBING. CONTACT ARCHITECT IF CONFLICT EXISTS BEFORE PROCEEDING.
- CONTRACTOR IS RESPONSIBLE TO ENSURE APPROPRIATE WEATHER SEALS AS REQUIRED TO RECEIVE INTERIOR FINISHES AND MEET INDUSTRY STANDARDS. ANY DISCREPANCIES SHALL BE BROUGHT TO THE ATTENTION OF THE ARCHITECT.
- KITCHEN EQUIPMENT AND LAYOUT: SHALL BE ADDRESSED UNDER A SEPARATE CONTRACT.
- CONTRACTOR TO COORDINATE DOOR HARDWARE REQUIREMENTS WITH OWNER.

DRAWING NOTES:

- ALL EXTERIOR DIMENSIONS ARE TO FACE OF STRUCTURE, U.N.O.
- ALL WOOD AND METAL FRAME INTERIOR DIMENSIONS ARE TO CENTER OF STRUCTURE, UNO. ALL CMU INTERIOR DIMENSIONS ARE TO FACE OF STRUCTURE, UNO.
- ALL DIMENSIONS FOR DOORS AND WINDOWS ARE TO EDGE OF OPENING IN ALL STUD WALLS AND IN MASONRY AND CONCRETE WALLS.
- WRITTEN DIMENSIONS AND NOTES TAKE PRECEDENCE OVER INDICATED DRAWING SCALES. DRAWINGS SHALL NOT BE SCALED.

CODES AND ANALYSIS

JURISDICTION:
CITY OF GAINESVILLE, GEORGIA
HALL COUNTY, GEORGIA

APPLICABLE CODES:
HALL COUNTY CONSTRUCTION CODE (2015 VERSION)
HALL COUNTY UNIFIED DEVELOPMENT ORDINANCE (UDO)
2018 INTERNATIONAL PROPERTY MAINTENANCE CODE
2018 INTERNATIONAL BUILDING CODE WITH 2020 GEORGIA AMENDMENTS
2018 NFPA 101 LIFE SAFETY CODE
2018 INTERNATIONAL MECHANICAL CODE WITH 2020 GEORGIA AMENDMENTS
2018 INTERNATIONAL FUEL GAS CODE WITH 2020 GEORGIA AMENDMENTS
2018 INTERNATIONAL PLUMBING CODE WITH 2020 GEORGIA AMENDMENTS AND IPC APPENDIX F 2017 NATIONAL ELECTRIC CODE
2020 NATIONAL ELECTRICAL CODE
2015 INTERNATIONAL ENERGY CONSERVATION CODE WITH 2020 GEORGIA AMENDMENTS
2018 INTERNATIONAL FIRE CODE
2010 ADA STANDARDS

ANALYSIS:
OCCUPANCY
LIFE SAFETY CODE OCCUPANCY CLASSIFICATION : LOW HAZARD STORAGE (FOOD STORAGE) BUSINESS (OFFICES)
NA (STORAGE)

IBC OCCUPANCY TYPE - S-2 LOW HAZARD STORAGE; B - BUSINESS
IBC CHAPTER 5 CONSTRUCTION TYPE IIIA

BUILDING HEIGHT LIMITATIONS (TABLE 504.3):
S-2: 85 FEET
B: 85 FEET
ACTUAL BUILDING HEIGHT: 27 FEET 4 INCHES

BUILDING AREA LIMITATIONS (IBC TBL 506.2)
S-2: 156,000 SQUARE FEET (S1) ACTUAL BUILDING AREA: 27,236 SQUARE FEET
B: 85,500 SQUARE FEET (SM) ACTUAL BUILDING AREA: 5,528 SQUARE FEET

TOTAL ACTUAL SQUARE AREA: 32,764 SQUARE FEET

IBC OCCUPANCY LOADS:
LOW HAZARD STORAGE AREA (S-2): 27,236 SQUARE FEET

OCCUPANT LOAD FACTOR 1 PERSON PER 500 SQ. FT. = 55 PEOPLE (IBC TBL 1004.1.1)
MAX ANTICIPATED OCCUPANT LOAD = 50 PEOPLE

BUSINESS OCCUPANCY AREA (B): 5,528 SQUARE FEET
OCCUPANT LOAD FACTOR 1 PERSON PER 150 SQ. FT. = 37 PEOPLE (IBC TBL 1004.1.1)
MAX ANTICIPATED OCCUPANT LOAD = 30 PEOPLE

PLUMBING FIXTURES REQUIRED (IPC): TBD
STORAGE AREA: 0 WC (M/F); 0 LAV (M/F); 1 SVC SINK - 1 FIXTURES
BUSINESS: 2 WC (M/F); 1 LAV (M/F); 1 SVC SINK - 4 FIXTURES

PROVIDED:
2 WC (M); 2 WC (F); 2 LAV (M); 2 LAV (M); 0 SVC SINK

GRAPHIC SYMBOLS

ROOM NUMBER

DOOR NUMBER

PARTITION TAG

COLUMN GRID

KEY NOTE

KEY NOTE

WINDOW TAG

KEY NOTE

ELEVATION TAG SHEET NO. DRAWING NO.

SECTION TAG SHEET NO. DRAWING NO. SHEET NO.

DETAIL TAG SHEET NO. DRAWING NO. SHEET NO.

PROJECT TEAM

OWNER:
GEORGIA MOUNTAIN FOOD BANK
1642 CALVARY INDUSTRIAL DRIVE SW
GAINESVILLE, GA 30507
PHONE #: (770) 534-4111

ARCHITECT:
SYNTONY DESIGN COLLABORATIVE, LLC
643 ROBINSON AVE, SE
ATLANTA, GA 30312
757-561-6657 voice
www.syntonydesign.com

STRUCTURAL ENGINEER:
EMMANUEL E. ANSA
P.O. BOX 142318
FAYETTEVILLE, GA 30214
770-354-1495 voice

MECHANICAL, ELECTRICAL, PLUMBING ENGINEER:
EVERETT ENGINEERING INC.
3740 OLD SUWANEE RD.
SUWANEE, GA 30024
770-363-8661 voice

CIVIL ENGINEER:
PINNACLE LAND DEVELOPMENT
457 YOUNG JAMES CIR.
STOCKBRIDGE, GA 30281
678-382-5314 voice

LOCATION PLAN



PROJECT DESCRIPTION

THE PROPOSED PROJECT IS AN EXPANSION OF THE EXISTING BOOMERSHINE FAMILY LOGISTIC CENTER (GEORGIA MOUNTAIN FOOD BANK) AND NEW PARKING ON 2.5 ACRES OF RECENTLY ACQUIRED LAND. THE ENTIRE PROJECT WILL ACCOMMODATE A NEW 10,000 SQUARE FOOT EXPANSION WITH ADDITIONAL LOADING DOCKS, COVERED PALLET STORAGE AREAS, ONE ADDITIONAL FREEZER AND REFRIGERATOR AND ADDITIONAL PARKING OF 52 SPACES.

EXISTING SECOND FLOOR OFFICES WILL RENOVATED AND NEW TWO-STORY SHIPPING AND RECEIVING OFFICES WILL BE PROVIDED IN THE WAREHOUSE AS SHOWN ON THE DRAWINGS. NEW MECHANICAL AND ELECTRICAL EQUIPMENT WILL BE INSTALLED IN THE ABOVE-REFERENCED AREAS.

VICINITY MAP



Drawing Date: 07/14/2022
Project Number: 220001
Drawn By: AP
Checked By: GLP

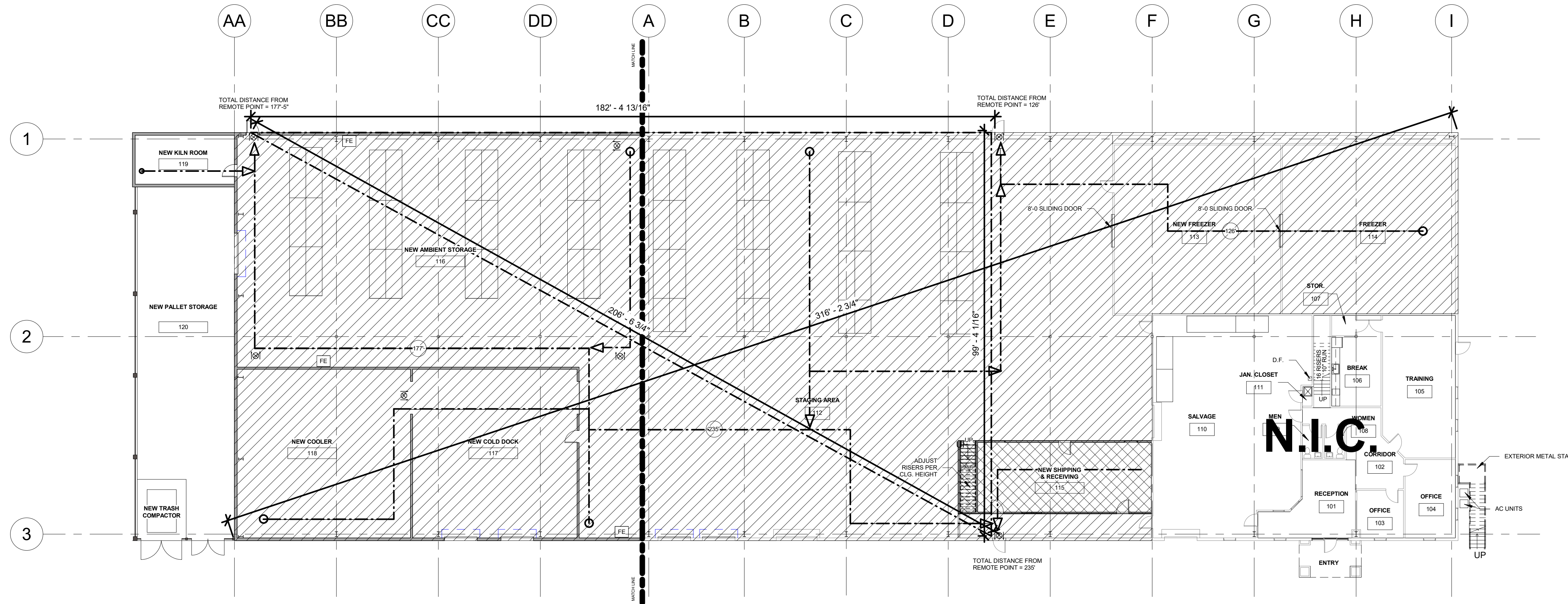
GEORGIA MOUNTAIN FOOD BANK
1642 CALVARY INDUSTRIAL DRIVE SW
GAINESVILLE, GA 30507

Drawing Description:
COVER SHEET

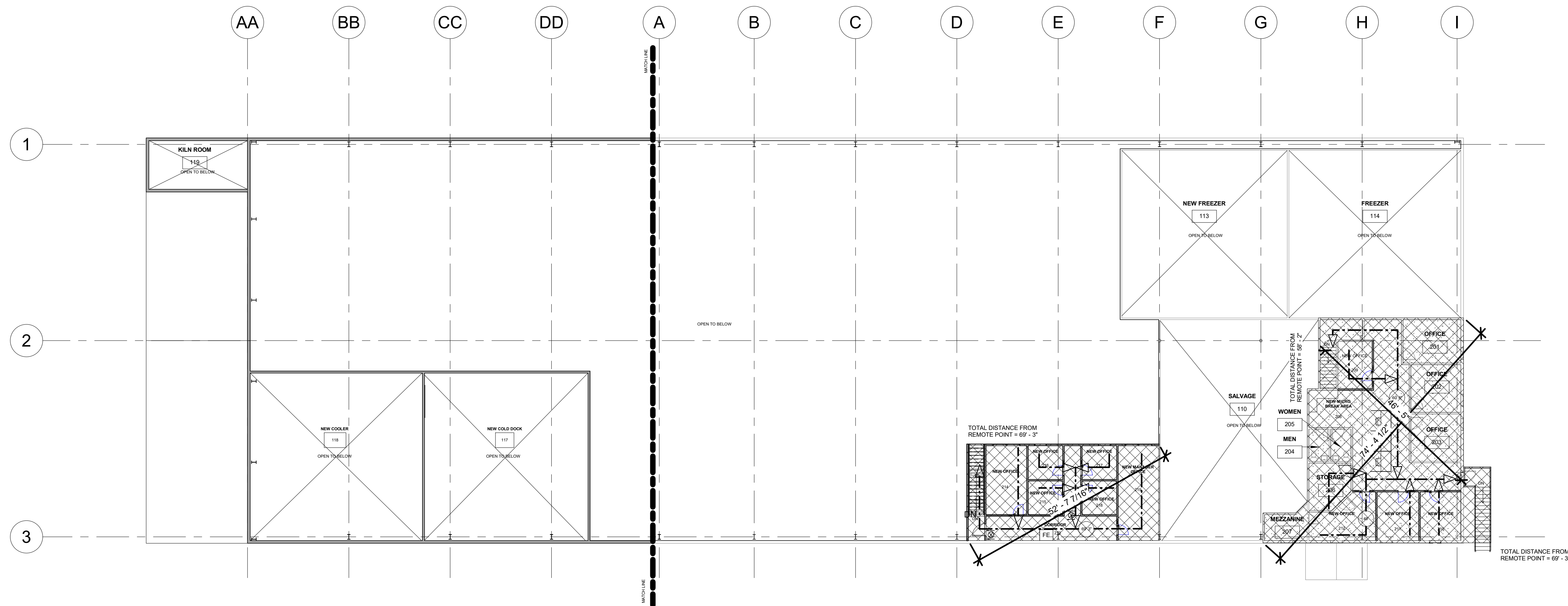
G100

**PERMIT SET. RELEASED
OR ISSUED FOR
CONSTRUCTION.**

PERMIT SET. RELEASED OR ISSUED FOR CONSTRUCTION.



1 PROPOSED FIRST LEVEL PLAN -LIFE SAFETY PLAN
1/16" = 1'-0"



2 PROPOSED SECOND LEVEL PLAN LIFE SAFETY PLAN
1/16" = 1'-0"

SHEET NOTES

EXIT REQUIREMENTS:

TRAVEL DISTANCE TO EXIT (S-2) - MAX ALLOWED = 250'
(LSC TBL 40.2.6.1) ACTUAL = 235'-0" MAX

TRAVEL DISTANCE TO EXIT (B) - MAX ALLOWED = 200'
(LSC TBL 40.2.6.1) ACTUAL = 100'-0" MAX

EXITS REQUIRED = 2 EXITS PROVIDED = 4
B = 2; S = 2

DISTANCE BETWEEN EXITS - S = 206' 6 3/4", B = SINGLE EXIT

REQUIRED (1/3 DIAGONAL): S = 157'-3", B = 37'-2 1/4"
ACTUAL: S = 97'-2", B = N/A

OVERALL DIAGONAL = 316'-3"

EXIT WIDTH [0.2/OCCUPANT (LSC TBL 7.3.3.1)]
55 x 0.2" (S-2) = 13" (36" MIN LSC 7.3.4.1 (2))
50% THRU FRONT = 6.5" MIN (36" MIN LSC 7.3.4.1 (2))

37 x 0.2" (B) = 88.8" MIN
50% THRU FRONT = 44.4" MIN

PROVIDED:

STORAGE (S-2) = 72" (36" THRU FRONT; TWO SEPARATE 3'-0" EXITS)

BUSINESS (B) = 144" (72" THRU FRONT; TWO SEPARATE 3'-0" EXITS)

OCCUPANCY LEGEND

LOW-HAZARD STORAGE OCCUPANCY 27,236 SQ FT
OCCUPANCY LOAD FACTOR 500 SQ FT
OCCUPANCY LOAD 55 PEOPLE

BUSINESS OCCUPANCY (OFFICES) 5,528 SQ FT
OCCUPANCY LOAD FACTOR 150 SQ FT
OCCUPANCY LOAD 37 PEOPLE

TRAVEL DISTANCE

EMERGENCY EXIT LIGHT

FIRE EXTINGUISHER

EXIT REQUIREMENTS

DEAD END CORRIDOR (MAX.) (IBC SECTION 1020.4; LSC SECTION 7.5.1.5)	50 FT
COMMON PATH OF TRAVEL (MAX.) (IBC TABLE 1006.2.1; LSC SECTION 7.5.1.1.2)	100 FT
SINGLE EXIT ALLOWED (IBC SECTION 1006.3.3; LSC SECTION 7.5.1.2)	< 50 FT
EXIT SEPARATION (MIN.) (IBC SECTION 1007.1.1; LSC SECTION 7.5.1.3)	1/3 DIAGONAL OF FLOOR OR SPACE
MINIMUM CORRIDOR WIDTH (IBC SECTION 1020.2)	44" WHERE CORRIDOR SERVES > 50 OCCUPANTS 36" WHERE CORRIDOR SERVES < 50 OCCUPANTS
MINIMUM NO. OF EXITS REQUIRED (IBC SECTION 1006.3.2; LSC SECTION 7.4)	2

INTERIOR FINISH REQUIREMENTS

INTERIOR PARTITION AND CEILING FINISHES SHALL BE CLASSIFIED AS FOLLOWS AND SHALL BE RESTRICTED FOR USE BY THE FOLLOWING TABLE AS DEFINED IN IBC SECTION 10.2.3.3

CLASS	FLAME SPREAD	SMOKE DEVELOPMENT
A	0-25	0-450
B	26-75	0-450
C	76-200	0-450

PARTITION & CEILING FINISHES

(IBC TABLE 12.3.3.2)

USE GROUP	FINISH CLASSIFICATION		
	EXIT ENCLOSURE	CORRIDORS	ROOMS
SB	A	B	A



Syntony
Design Collaborative LLC

THIS DRAWING, AS AN INSTRUMENT OF SERVICE, IS AND SHALL REMAIN THE PROPERTY OF THE ARCHITECT AND SHALL NOT BE REPRODUCED, PUBLISHED OR USED IN ANY WAY WITHOUT THE PERMISSION OF THE ARCHITECT.

Copyright © 2022 by Syntony Design Collaborative, LLC

Drawing Revisions:

1 PLAN REVIEW COMMENTS 10.07.22

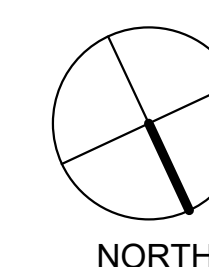
Drawing Date: 09/20/2022
Project Number: 220001
Drawn By: AP
Checked By: GLP

GEORGIA MOUNTAIN FOOD BANK
1642 CALVARY INDUSTRIAL DRIVE SW
GAINESVILLE, GA 30607

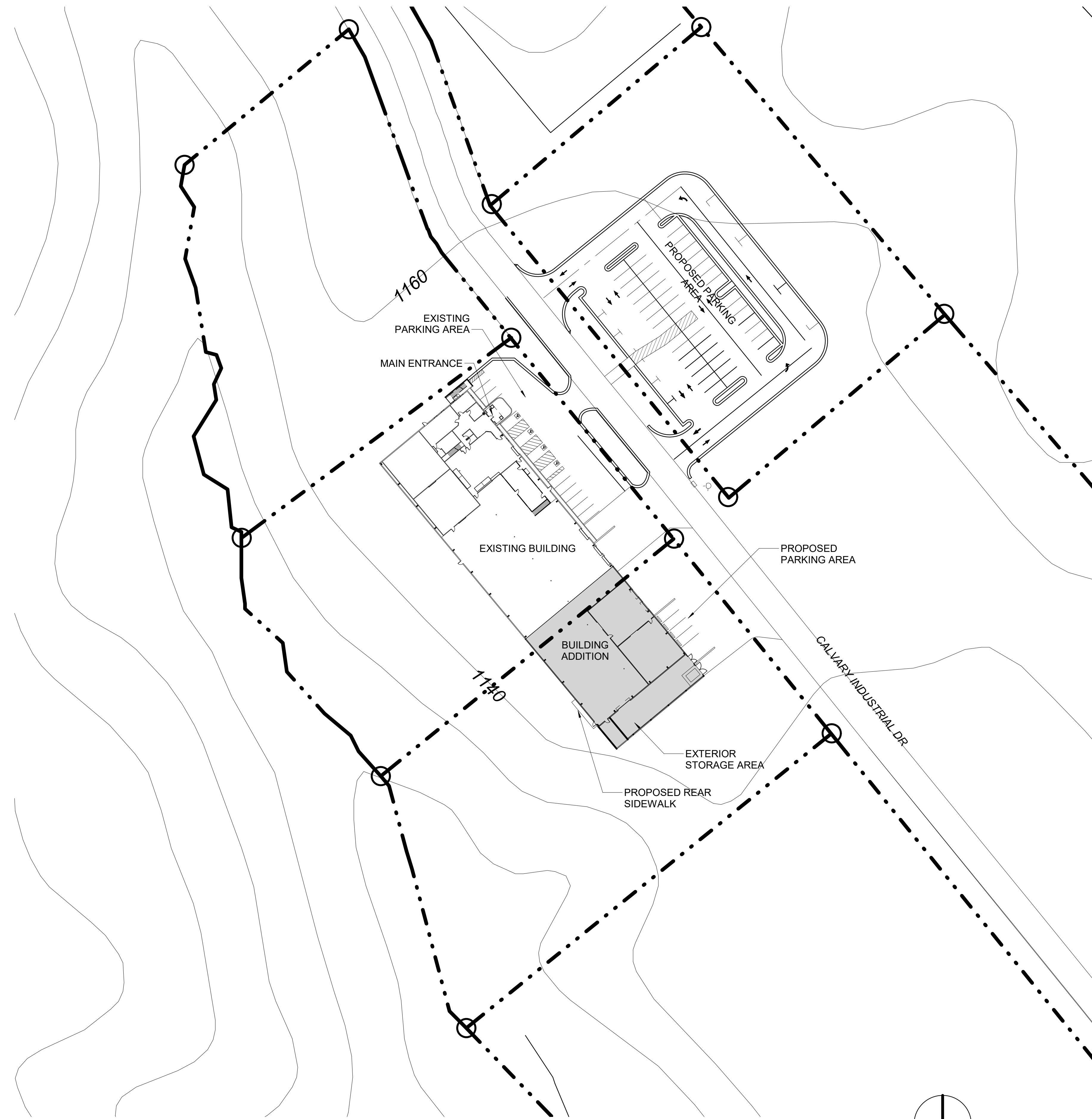
Drawing Description:
LIFE SAFETY PLANS

G110

CONTRACT NO. 1910003 By reviewing the plans for Code Compliance, the user, design professional, contractor or their representatives from the responsibility to comply with all local, state and national codes and standards in effect at time of permit issuance. Our review is not a check of every item and does not prevent the department from requiring corrections during construction. Any change orders to approved plans shall be approved by the permit.



PERMIT SET. RELEASED OR ISSUED FOR CONSTRUCTION.



1 ARCHITECTURAL SITE PLAN
1" = 50'-0"

ZONING INFORMATION

ZONING: LIGHT/ HEAVY INDUSTRIAL
 MAXIMUM HEIGHT ALLOWED: 75'
 ACTUAL HEIGHT: 27' 4"
 FRONT SETBACK REQUIRED: 30'/40'
 SIDE SETBACK REQUIRED: 0'
 REAR SETBACK REQUIRED: 0' LOT
 AREA: SEE SURVEY
 MAX. LOT COVERAGE: 70%

PARKING

TOTAL SPACES: 52
 ADA SPACES: 4 (IBC TABLE 1106.1)



THIS DRAWING, AS AN INSTRUMENT OF SERVICE, IS AND SHALL REMAIN THE PROPERTY OF THE ARCHITECT AND SHALL NOT BE REPRODUCED, PUBLISHED OR USED IN ANY WAY WITHOUT THE PERMISSION OF THE ARCHITECT.
 Copyright © 2022 by Syntony Design Collaborative, LLC

Drawing Revisions:
 1 PLAN REVIEW COMMENTS 10.07.22

Drawing Date: 09/20/2022
 Project Number: 220001
 Drawn By: AP
 Checked By: GLP

GEORGIA MOUNTAIN FOOD BANK
 1642 CALVARY INDUSTRIAL DRIVE SW
 GAINESVILLE, GA 30607

Drawing Description:
ARCHITECTURAL SITE PLAN

G500

By reviewing the drawings for Code Compliance, the user's design professional, contractors or their representatives from the responsibility to comply with all local, state and national codes and standards in effect at time of permit issuance. Our review is not a check of every item and does not prevent the department from requiring corrections during construction. Any corrections to approved plans shall be approved to avoid voiding the permit.



PERMIT SET. RELEASED OR ISSUED FOR CONSTRUCTION.



THIS DRAWING, AS AN INSTRUMENT OF SERVICE, IS AND SHALL REMAIN THE PROPERTY OF THE ARCHITECT AND SHALL NOT BE REPRODUCED, PUBLISHED OR USED IN ANY WAY WITHOUT THE PERMISSION OF THE ARCHITECT.

Copyright © 2022 by Syntony Design Collaborative, LLC

Drawing Revisions:
1 PLAN REVIEW COMMENTS 10.07.22

Drawing Date: 09/20/2022
Project Number: 220001
Drawn By: CR
Checked By: GLP

GEORGIA MOUNTAIN FOOD BANK
1642 CALVARY INDUSTRIAL DRIVE SW
GAINESVILLE, GA 30607

Drawing Description:
SURVEY

G501

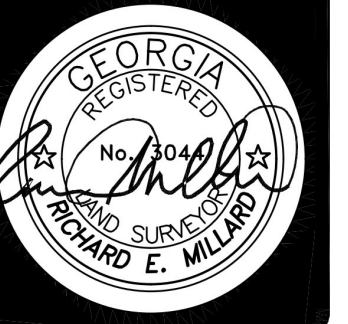
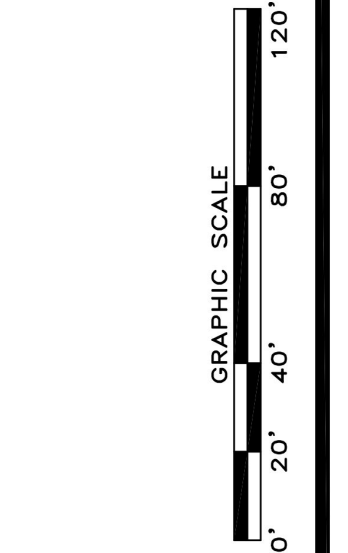
Rochester | DCCM

425 Oak St NW, Gainesville, GA 30501
770.718.0600 p | www.rochester-assoc.com

AS-BUILT SURVEY FOR
THE GEORGIA MOUNTAIN FOOD BANK, INC.

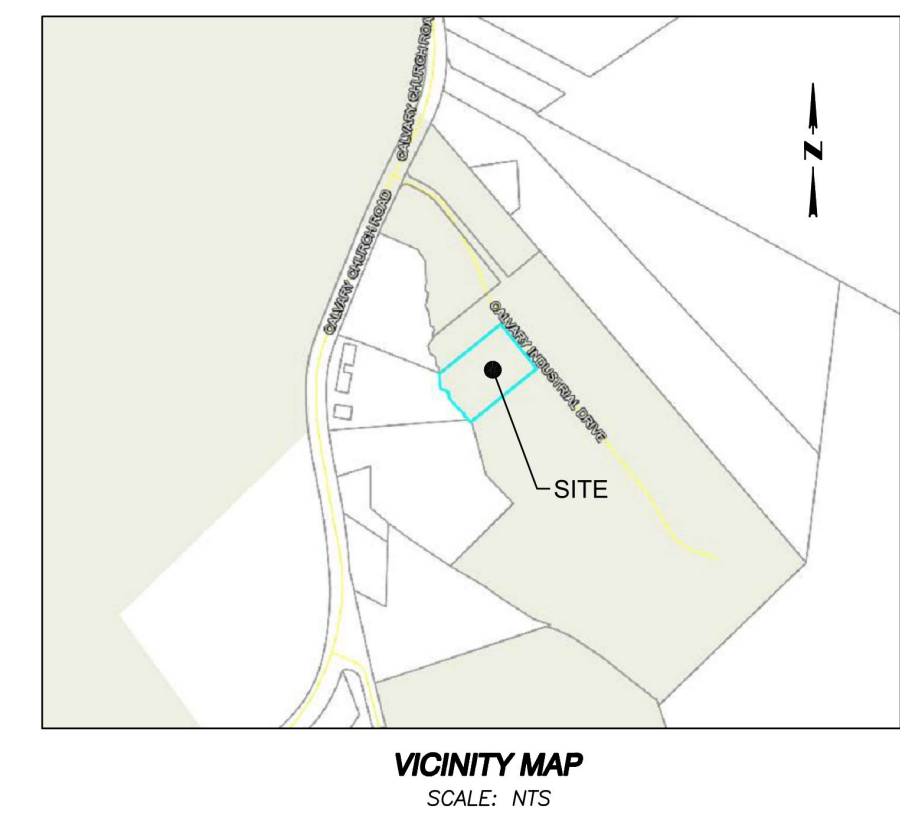
LOCATED IN
CITY OF GAINESVILLE
HALL COUNTY, GEORGIA

NO.	DATE	DESCRIPTION
1	8-31-22	REVISED PER CLIENT REQUEST



SHEET
1
OF
1

DATE: 8/18/22
JOB NO.: G205037
DRAWN BY: LIG
DWG NO.: GMBASB



NOTE
THIS PLAT IS NOT FOR RECORDING. THIS PLAT DOES NOT CONTAIN THE SURVEYOR'S CERTIFICATION REQUIRED BY O.C.G.A. SECTION 15-6-16 FOR RECORDING. THIS SURVEY COMPLIES WITH ALL OTHER REQUIREMENTS OF THE MINIMUM STANDARDS AND SPECIFICATIONS OF THE STATE BOARD OF REGISTRATION FOR PROFESSIONAL ENGINEERS AND LAND SURVEYORS.

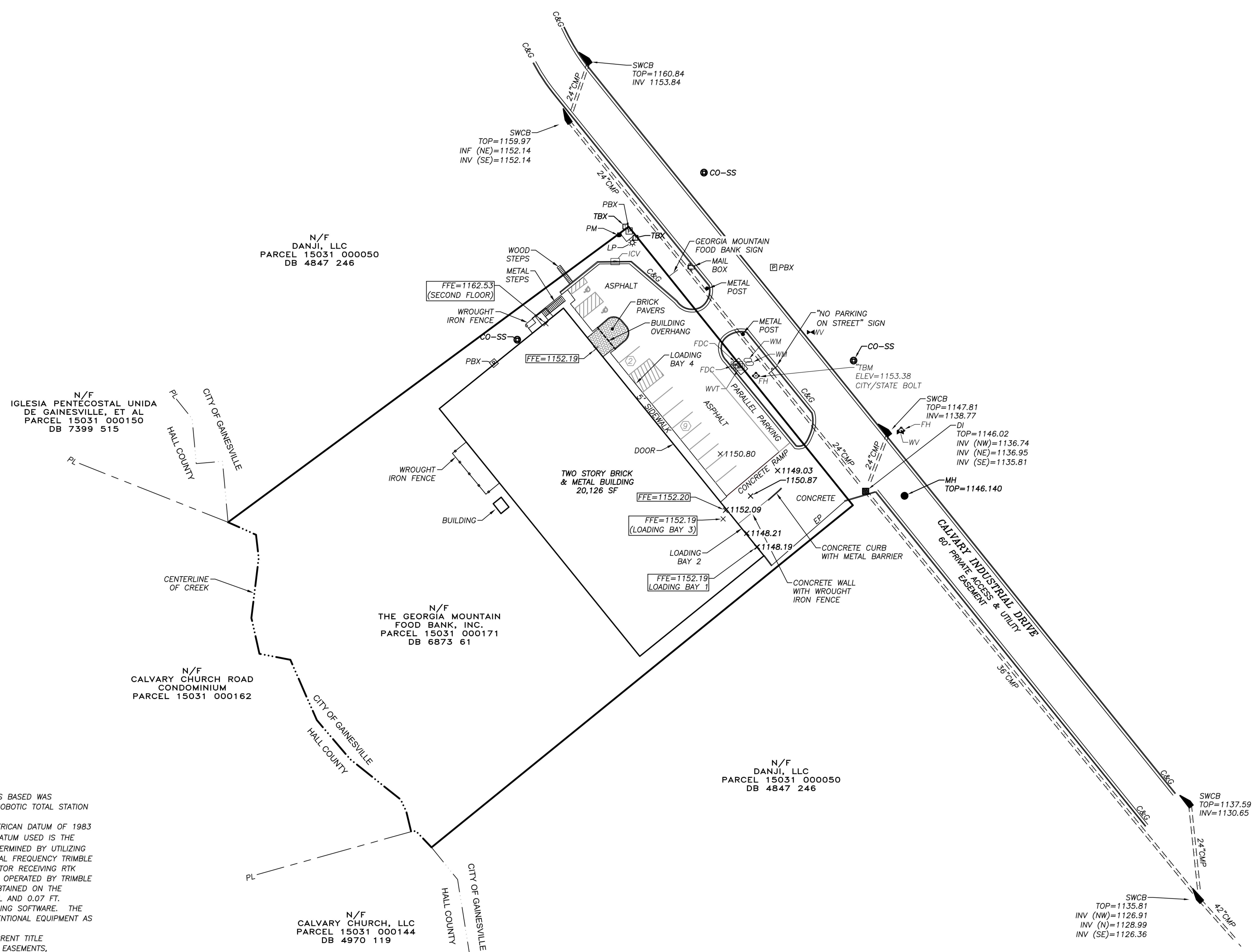
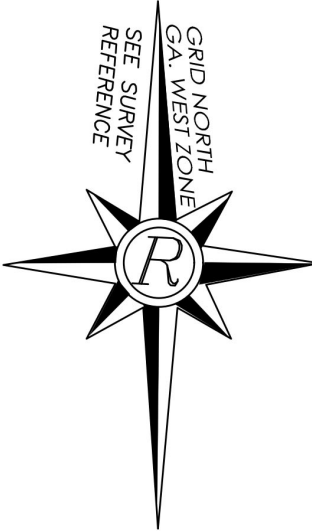
NOTE
THIS IS NOT A BOUNDARY SURVEY AND IS NOT INTENDED TO TRANSFER PROPERTY.

REFERENCES

- REFERENCE IS HEREBY MADE TO THAT CERTAIN DIVISION OF A PARENT TRACT FOR DANJI, LLC & WALTERS MANAGEMENT COMPANY, PREPARED BY ROCHESTER | DCCM, DATED 11/03/21, LAST REVISED 7/7/22, RECORDED IN PLAT BOOK 882, PAGE 147 OF THE HALL COUNTY, GEORGIA RECORDS.

LEGEND

- C&G - CURB & GUTTER
- CBX - CABLE BOX
- CI - CURB INLET
- CMP - CORRUGATED METAL PIPE
- CO-SS - CLEANOUT-SANITARY SEWER CONCRETE
- DI - DROP INLET
- DWCB - DOUBLE-WING CATCH BASIN
- EP - EDGE OF PAVEMENT
- FDC - FIRE DEPARTMENT CONNECTION
- FF - FINISHED FLOOR ELEVATION
- FH - FIRE HYDRANT
- GP - GUY POLE
- GS - GAS VALVE
- HC - HANDICAP PARKING SPACE
- ICV - IRRIGATION CONTROL VALVE
- LP - LIGHT POLE
- MH - MANHOLE
- N/F - NOW OR FORMERLY
- PBX - POWER BOX
- PL - PROPERTY LINE
- PM - POWER METER
- POB - POINT OF BEGINNING
- PP - POWER POLE
- PLP - POWER & LIGHT POLE
- PTLP - POWER, TELEPHONE & LIGHT POLE
- PTP - POWER & TELEPHONE POLE
- PVC - POLYVINYLCHLORIDE PIPE
- RCP - REINFORCED CONCRETE PIPE
- R/W - RIGHT OF WAY
- RS - SANITARY SEWER LINE
- SF - SQUARE FEET
- SWCB - SINGLE-WING CATCH BASIN
- TBM - TEMPORARY BENCHMARK
- TBX - TELEPHONE BOX
- TMH - TELEPHONE MANHOLE
- TP - TELEPHONE POLE
- WM - WATER METER
- WV - WATER VALVE
- Ⓟ - PARKING SPACE NUMBER



SURVEY NOTES

- THE FIELD DATA DATED 8/17/22 UPON WHICH THIS SURVEY IS BASED WAS ADJUSTED USING THE COMPASS RULE. A TRIMBLE S-SERIES ROBOTIC TOTAL STATION WAS USED FOR ANGULAR AND LINEAR MEASUREMENTS.
- THE HORIZONTAL DATUM FOR THIS SURVEY IS THE NORTH AMERICAN DATUM OF 1983 (NAD 83 GEORGIA WEST OR EAST ZONE) AND THE VERTICAL DATUM USED IS THE NORTH AMERICAN VERTICAL DATUM OF 1988 (NAV88) AS DETERMINED BY UTILIZING GPS. THE EQUIPMENT USED TO OBTAIN THIS DATA WAS A DUAL FREQUENCY TRIMBLE R10 GNSS GPS RECEIVER WITH A TRIMBLE TSC3 DATA COLLECTOR RECEIVING RTK CORRECTIONS VIA A WIRELESS NETWORK FROM BASE STATIONS OPERATED BY TRIMBLE NAVIGATION. THE AVERAGE RELATIVE POSITIONAL ACCURACY OBTAINED ON THE POSITIONS UTILIZED IN THIS SURVEY WAS 0.04 FT. HORIZONTAL AND 0.07 FT. VERTICAL. THESE VALUES WERE DERIVED FROM GPS PROCESSING SOFTWARE. THE REMAINDER OF THE FIELD WORK WAS PERFORMED WITH CONVENTIONAL EQUIPMENT AS DESCRIBED ABOVE.
- THIS SURVEY WAS PREPARED WITHOUT THE BENEFIT OF A CURRENT TITLE COMMITMENT; THEREFORE EXCEPTION IS MADE HEREIN TO ANY EASEMENTS, RESERVATIONS, RIGHTS OF WAY AND RESTRICTIONS OF RECORD, WHICH MAY EXIST. FURTHERMORE, THIS PROPERTY MAY BE SUBJECT TO EASEMENTS, RESERVATIONS, RIGHTS OF WAY, OR RESTRICTIONS, WHICH ARE NOT RECORDED OR NOT DISCLOSED BY THE TITLE COMMITMENT OR OTHERWISE UNKNOWN TO THE SURVEYOR; THEREFORE EXCEPTION IS TAKEN TO ANY SUCH ITEMS.
- THE UTILITIES SHOWN HEREON HAVE BEEN LOCATED FROM ABOVE GROUND, VISIBLE EVIDENCE. THE SURVEYOR MAKES NO GUARANTEE THAT THE UTILITIES SHOWN COMPRISE ALL SUCH UTILITIES IN THE AREA, EITHER IN SERVICE OR ABANDONED. THE SURVEYOR FURTHER DOES NOT WARRANT THAT THE UNDERGROUND UTILITIES SHOWN ARE IN THE EXACT LOCATION INDICATED, ALTHOUGH HE DOES CERTIFY THEY ARE LOCATED AS ACCURATELY AS POSSIBLE FROM INFORMATION AVAILABLE. THE SURVEYOR HAS NOT PHYSICALLY LOCATED THE UNDERGROUND UTILITIES.
- THIS PROPERTY MAY OR MAY NOT CONTAIN WETLAND AREAS. NO EFFORTS HAVE BEEN MADE BY THIS SURVEYOR TO IDENTIFY OR LOCATE ANY WETLAND AREAS ON THIS PROPERTY. A QUALIFIED WETLAND SPECIALIST OR BIOLOGIST, PRIOR TO ANY LAND DISTURBANCE, SHOULD PERFORM WETLAND IDENTIFICATION AND DELINEATION.
- THIS PROPERTY IS LOCATED IN FLOOD HAZARD ZONE "X" PER F.E.M.A. INSURANCE RATE MAP OF THE CITY OF GAINESVILLE AND HALL COUNTY, GEORGIA. MAP NO. 13139003027, REVISED DATE SEPTEMBER 29, 2006.
- DURING THE FIELD SURVEY PERFORMED ON THIS SITE THERE WAS NO VISIBLE ABOVE GROUND EVIDENCE OF A HUMAN BURIAL AREA OR CEMETERY OBSERVED. HOWEVER, THIS SURVEYOR DID NOT PERFORM A THOROUGH INSPECTION OF THE INTERIOR OF THIS SITE. THEREFORE EXCEPTION IS MADE HEREIN TO ANY HUMAN AREAS OR CEMETERIES THAT MAY EXIST WITHIN THE BOUNDARIES OF THIS SITE.
- THIS PLAT IS FOR THE EXCLUSIVE USE OF THE ENTITIES SHOWN HEREON; ANY USE BY THIRD PARTIES IS AT THEIR OWN RISK.
- ALL DISTANCES AS SHOWN ARE HORIZONTAL GROUND DISTANCES IN U.S. SURVEY FEET (39.37 INCHES = 1 METER).

N/F DANJI, LLC
PARCEL 15031 000050
DB 4847 246

N/F IGLESIA PENTECOSTAL UNIDA
DE GAINESVILLE, ET AL
PARCEL 15031 000150
DB 7399 515

N/F THE GEORGIA MOUNTAIN
FOOD BANK, INC.
PARCEL 15031 000171
DB 6873 61

N/F CALVARY CHURCH ROAD
CONDOMINIUM
PARCEL 15031 000162

N/F DANJI, LLC
PARCEL 15031 000050
DB 4847 246

N/F CALVARY CHURCH, LLC
PARCEL 15031 000144
DB 4970 119

PERMIT SET. RELEASED OR ISSUED FOR CONSTRUCTION.



Syntony
Design Collaborative LLC

THIS DRAWING, AS AN INSTRUMENT OF SERVICE, IS AND SHALL REMAIN THE PROPERTY OF THE ARCHITECT AND SHALL NOT BE REPRODUCED, PUBLISHED OR USED IN ANY WAY WITHOUT THE PERMISSION OF THE ARCHITECT.
Copyright © 2022 by Syntony Design Collaborative, LLC

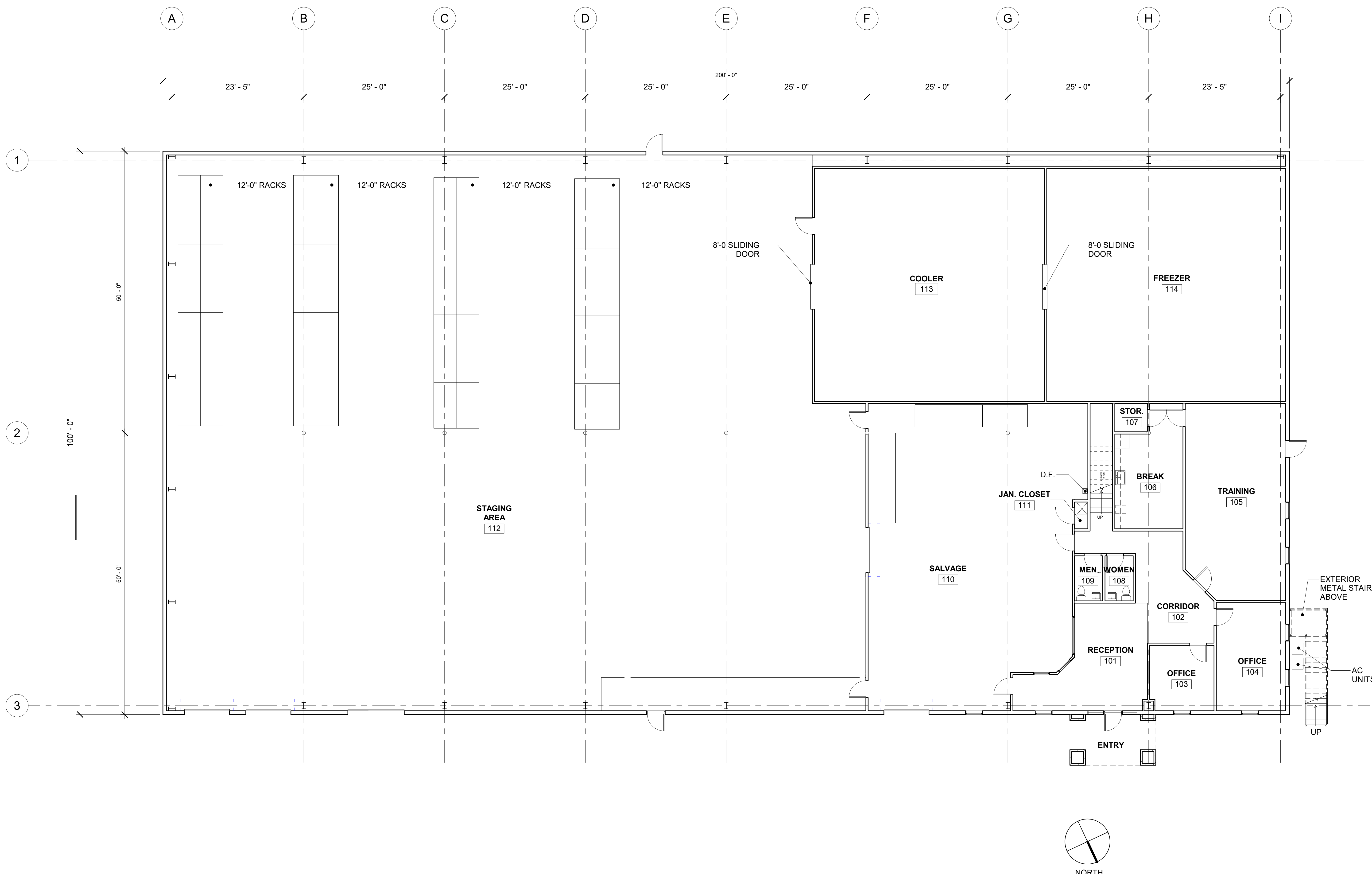
Drawing Revisions:
1 PLAN REVIEW COMMENTS 10.07.22

Drawing Date: 09/20/2022
Project Number: 220001
Drawn By: AP
Checked By: GLP

GEORGIA MOUNTAIN FOOD BANK
1642 CALVARY INDUSTRIAL DRIVE SW
GAINESVILLE, GA 30607

Drawing Description:
EXISTING FIRST LEVEL FLOOR PLAN

A101



1 EXISTING FIRST LEVEL FLOOR PLAN
1/8" = 1'-0"

GEORGIA MOUNTAIN FOOD BANK
 1642 CALVARY INDUSTRIAL DRIVE SW
 GAINESVILLE, GA 30607
 09/20/2022
 220001
 AP
 GLP
 THIS DRAWING, AS AN INSTRUMENT OF SERVICE, IS AND SHALL REMAIN THE PROPERTY OF THE ARCHITECT AND SHALL NOT BE REPRODUCED, PUBLISHED OR USED IN ANY WAY WITHOUT THE PERMISSION OF THE ARCHITECT.
 Copyright © 2022 by Syntony Design Collaborative, LLC
 1 PLAN REVIEW COMMENTS 10.07.22
 EXISTING FIRST LEVEL FLOOR PLAN
 A101

PERMIT SET. RELEASED OR ISSUED FOR CONSTRUCTION.



THIS DRAWING, AS AN INSTRUMENT OF SERVICE, IS AND SHALL REMAIN THE PROPERTY OF THE ARCHITECT AND SHALL NOT BE REPRODUCED, PUBLISHED OR USED IN ANY WAY WITHOUT THE PERMISSION OF THE ARCHITECT.
Copyright © 2022 by Syntony Design Collaborative, LLC

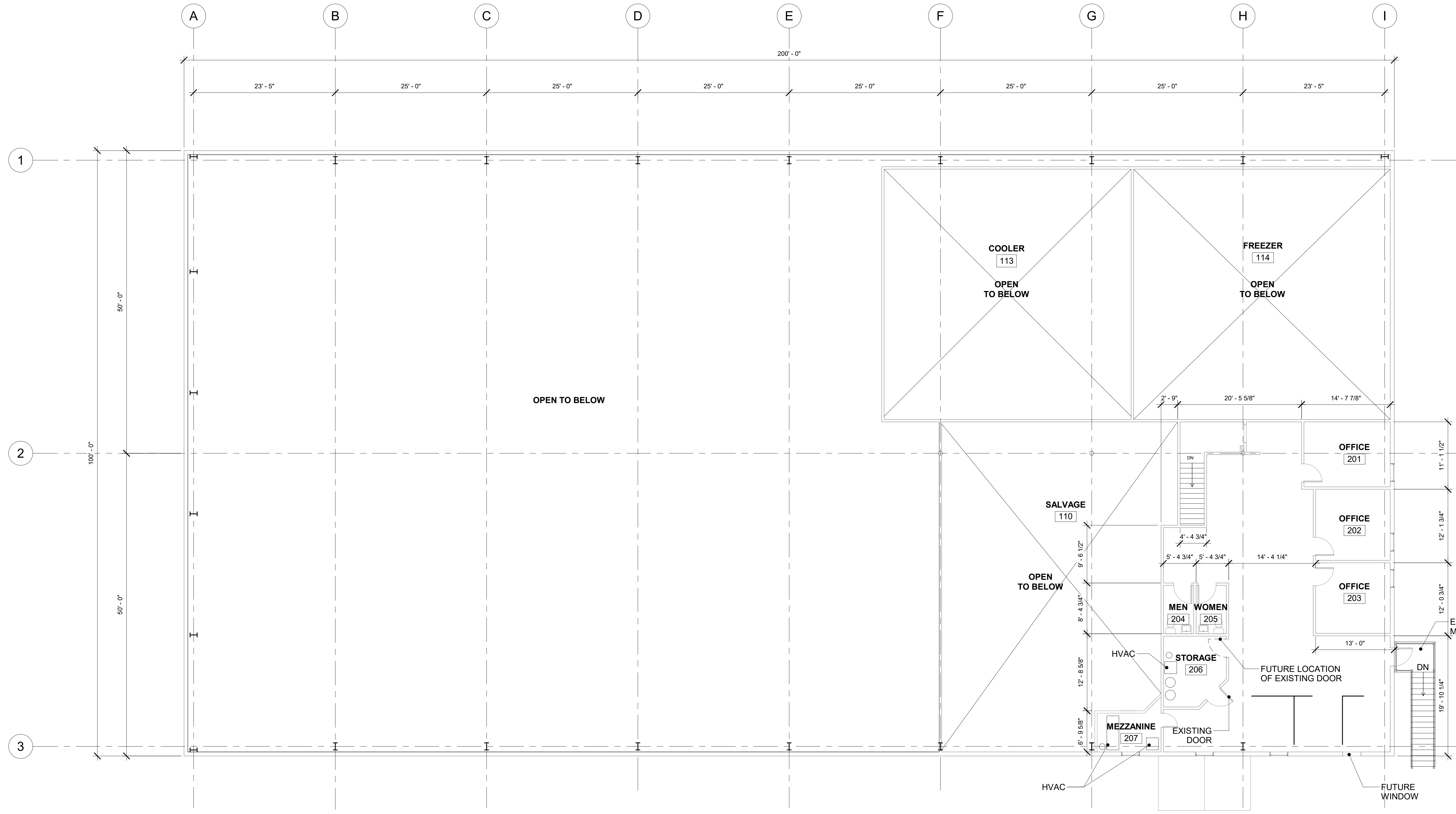
Drawing Revisions:
1 PLAN REVIEW COMMENTS 10.07.22

Drawing Date: 09/20/2022
Project Number: 220001
Drawn By: AP
Checked By: GLP

GEORGIA MOUNTAIN FOOD BANK
1642 CALVARY INDUSTRIAL DRIVE SW
GAINESVILLE, GA 30607

Drawing Description:
EXISTING
SECOND LEVEL
FLOOR PLAN

A102



1 EXISTING SECOND LEVEL FLOOR PLAN
1/8" = 1'-0"

By reviewing the drawings for Code Compliance, the user, design professional, contractor or their representatives from the responsibility to comply with all local, state and national codes and standards in effect at time of permit issuance. Our review is not a check of every item and does not prevent the department from requiring corrections during construction. Any corrections to approved plans shall be approved to avoid voiding the permit.



PERMIT SET. RELEASED OR ISSUED FOR CONSTRUCTION.

EQUIPMENT - ELECTRIC KILN	
MANUFACTURER	L&L MANUFACTURING CO.
DESCRIPTION	
MODEL NO:	J236
SERIAL NO:	61488
POWER	
VOLTS:	240/1 PHASE
AMPS:	14.66
WATTS:	3,518

SHEET NOTES

- ALL DIMENSIONS TO BE VERIFIED IN THE FIELD BY THE G.C. PRIOR TO ANY INSTALLATION OF NEW WORK
- ALL EXPOSED GYPSUM BOARD IN LEASE AREA SHALL BE SEALED AND PRIMED ONLY
- GENERAL CONTRACTOR SHALL BE REQUIRED TO VISIT PREMISE TO INSPECT EXISTING CONDITIONS AND VERIFY WORK TO BE PERFORMED.
- ALL WORK PERFORMED SHALL BE IN STRICT COMPLIANCE WITH GOVERNING FEDERAL, STATE AND LOCAL BUILDING CODES REQUIREMENTS.
- FIRE SEAL ALL PENETRATIONS THRU RATED WALLS, FLOORS, AND CEILINGS WITH APPROVED FIRE RATED CAULK AS DIRECTED BY LOCAL JURISDICTIONS.
- THE CONTRACTOR SHALL BE RESPONSIBLE FOR THE REMOVAL OF TRASH AND DEBRIS FROM THE JOB SITE ON A DAILY BASIS.
- REFER TO MECHANICAL, ELECTRICAL AND PLUMBING DRAWINGS FOR EQUIPMENT AND RELATED DETAILS.
- REFER TO STRUCTURAL DRAWINGS FOR FOUNDATION DETAILS.
- SEE STRUCTURAL DRAWINGS FOR ALL SLAB ON GRADE DETAILS AND SPECIFICATIONS
- FOR LOCATION OF MOP SINKS AND FLOOR DRAINS SEE PLUMBING DRAWINGS.
- ALL FRAMING DIMENSIONS ARE ROUGH FRAMING, AND DO NOT INCLUDE ANY FINISH MATERIALS UNLESS OTHERWISE NOTED.
- ALL WALLS SHALL BE OF 6" OR 4" METAL STUDS UNLESS OTHERWISE NOTED.
- APPLY BORIC ACID ON TOP OF THE MUD SILL OR BOTTOM PLATE, PRIOR TO CLOSING ALL WALLS. PROVIDE BLOCKING FOR RESTROOM ACCESSORIES, DOOR STOPS, EXP. JOINTS, CABINETS, ETC.
- INSTALL OCCUPANT LOAD SIGN PER LOCAL FIRE MARSHALL. COORDINATE LOCATION WITH OWNER/FIRE MARSHALL.
- PROVIDE MASTIC OR APPROVED SEALANT UNDER ALL EXT. PLATES
- SEE DRAWING A601 FOR DOOR TYPES, SCHEDULE INTERIOR FINISH PLAN AND HARDWARE SCHEDULE.
- SEE MECHANICAL DRAWING FOR NEW COOLER AND COLD DOCK SPECIFICATIONS.
- SEE MECHANICAL DRAWING AND MANUFACTURER ICC FOR CONVERSION OF EXISTING COOLER TO FREEZER



THIS DRAWING, AS AN INSTRUMENT OF SERVICE, IS AND SHALL REMAIN THE PROPERTY OF THE ARCHITECT AND SHALL NOT BE REPRODUCED, PUBLISHED OR USED IN ANY WAY WITHOUT THE PERMISSION OF THE ARCHITECT.
Copyright © 2022 by Syntony Design Collaborative, LLC

Drawing Revisions:	
1	PLAN REVIEW COMMENTS 10.07.22

Drawing Date:	09/20/2022
Project Number:	220001
Drawn By:	AP
Checked By:	GLP

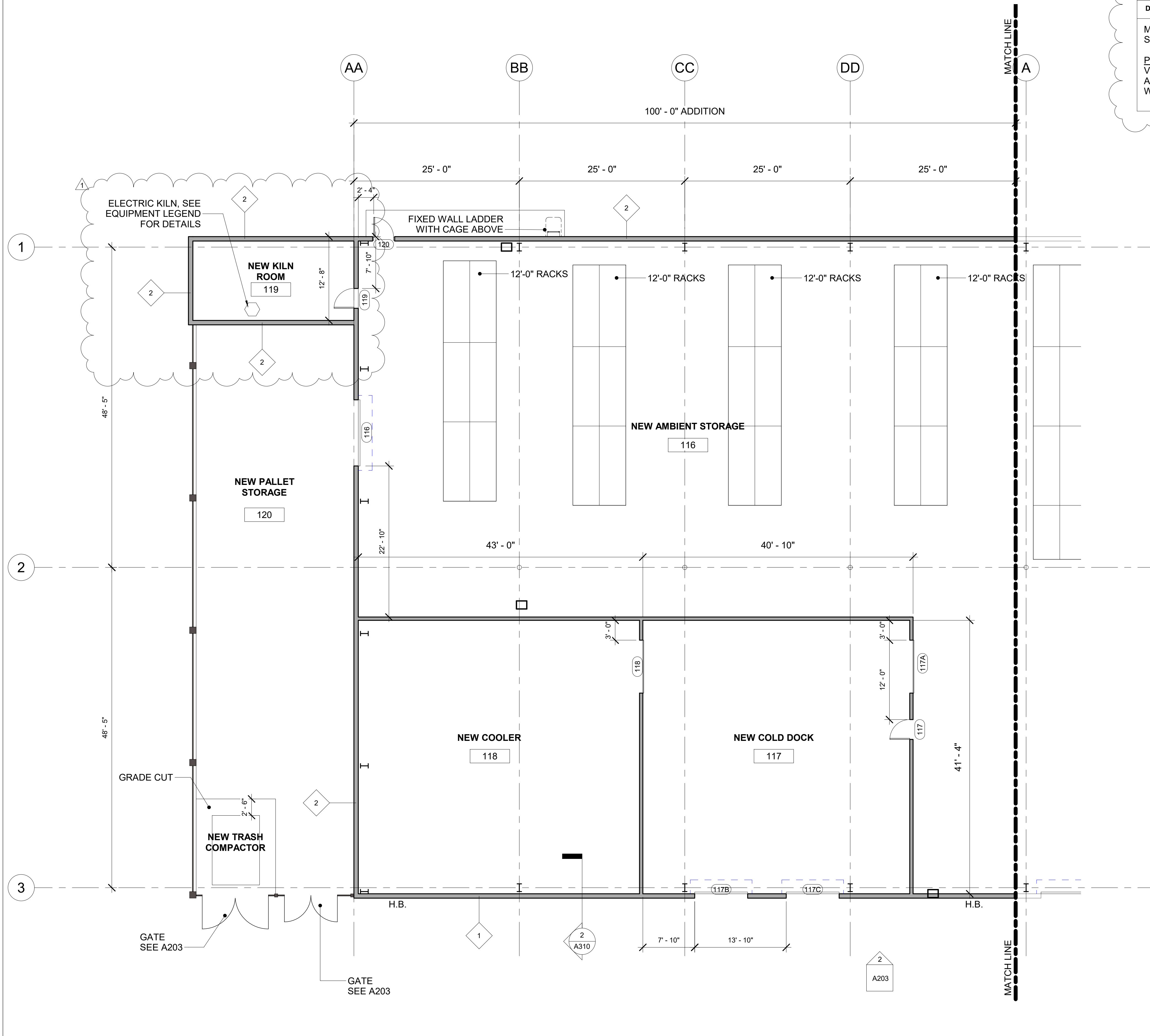
WALL TYPES

- EXTERIOR - BRICK VENEER TO 4' A.F.F. / 26 GAUGE PBR MTL. PANELS STARTING AT 4' A.F.F. ON EXTERIOR SHEATHING ON WALL GIRTS W/ R-20 BATT INSULATION AND WATERPROOF COVER
- EXTERIOR - 26 GAUGE PBR MTL. PANELS ON EXTERIOR SHEATHING ON WALL GIRTS W/ R-20 BATT INSULATION AND WATERPROOF COVER
- INTERIOR - 3 5/8" MTL. STUD AT 16" O.C. ON 1 LAYER 1/2" GWB (BOTH SIDES) W/ SOUND ATTENUATION INSULATION

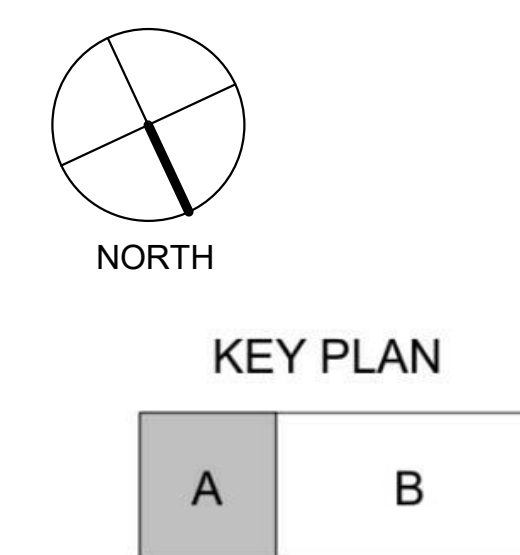
GEORGIA MOUNTAIN FOOD BANK
1642 CALVARY INDUSTRIAL DRIVE SW
GAINESVILLE, GA 30607

Drawing Description:
PROPOSED FIRST LEVEL FLOOR PLAN

A103



1 PROPOSED FIRST LEVEL FLOOR PLAN - SECTION A
1/8" = 1'-0"



CONSULTANTS: By reviewing the drawings for Code Compliance, the user, design professional, contractor or their representatives from the responsibility to comply with all local, state and national codes and standards in effect at time of permit issuance. Our review is not a check of every item and does not prevent the department from requiring corrections during construction. Any changes/alterations to approved plans shall be approved to avoid voiding the permit.

PERMIT SET. RELEASED OR ISSUED FOR CONSTRUCTION.



THIS DRAWING, AS AN INSTRUMENT OF SERVICE, IS AND SHALL REMAIN THE PROPERTY OF THE ARCHITECT AND SHALL NOT BE REPRODUCED, PUBLISHED OR USED IN ANY WAY WITHOUT THE PERMISSION OF THE ARCHITECT.
Copyright © 2022 by Syntony Design Collaborative, LLC

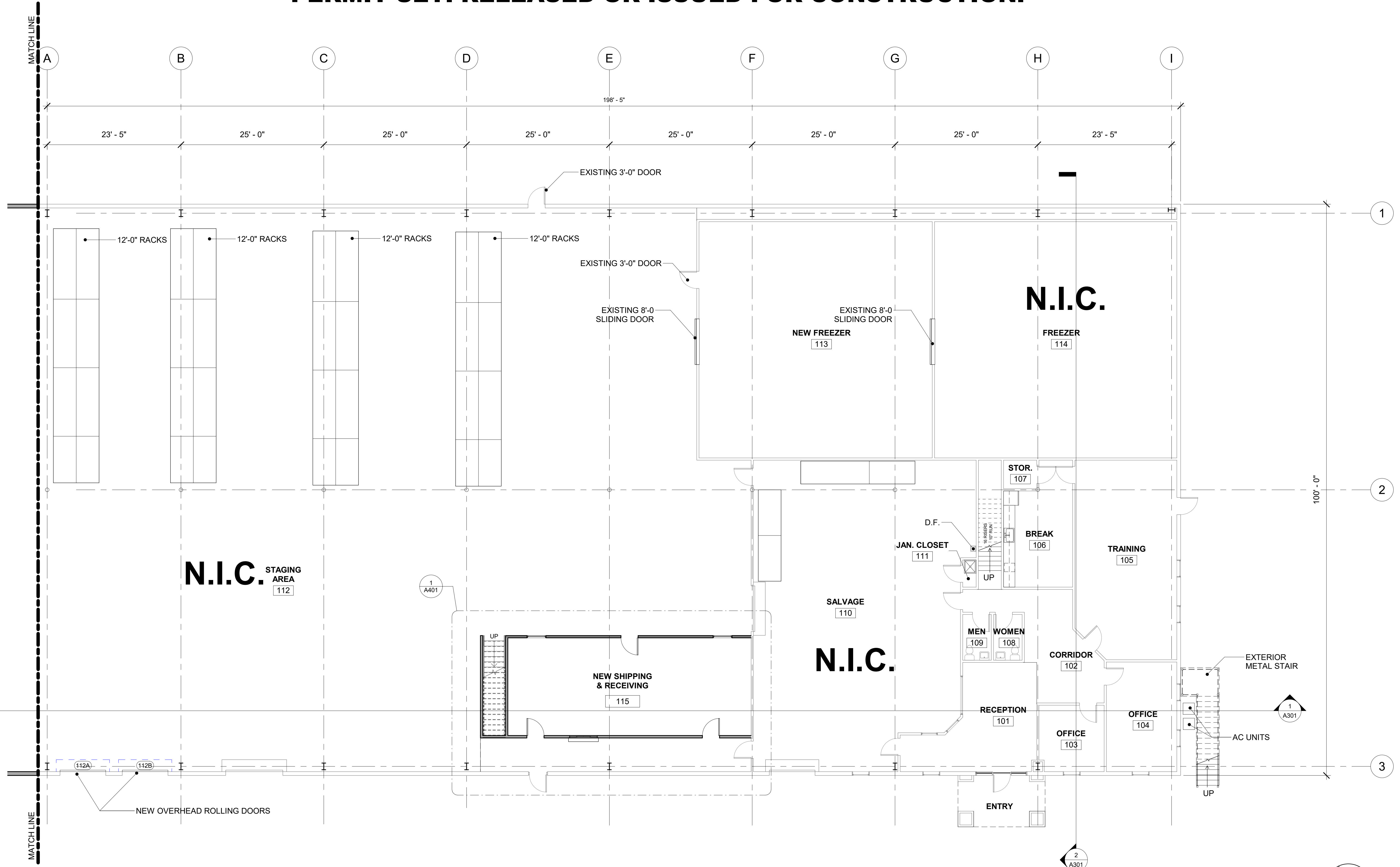
Drawing Revisions:
1 PLAN REVIEW COMMENTS 10.07.22

Drawing Date: 09/20/2022
Project Number: 220001
Drawn By: AP
Checked By: GLP

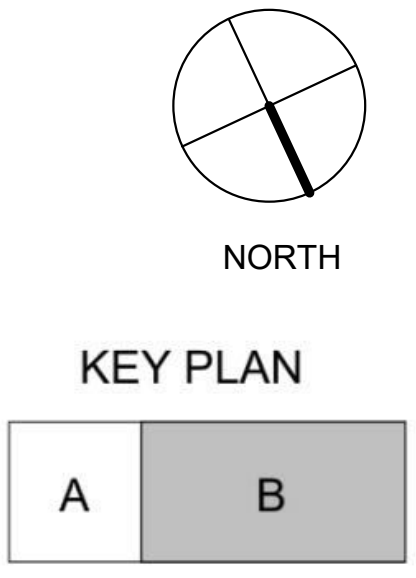
GEORGIA MOUNTAIN FOOD BANK
1642 CALVARY INDUSTRIAL DRIVE SW
GAINESVILLE, GA 30607

Drawing Description:
PROPOSED FIRST LEVEL FLOOR PLAN

A104

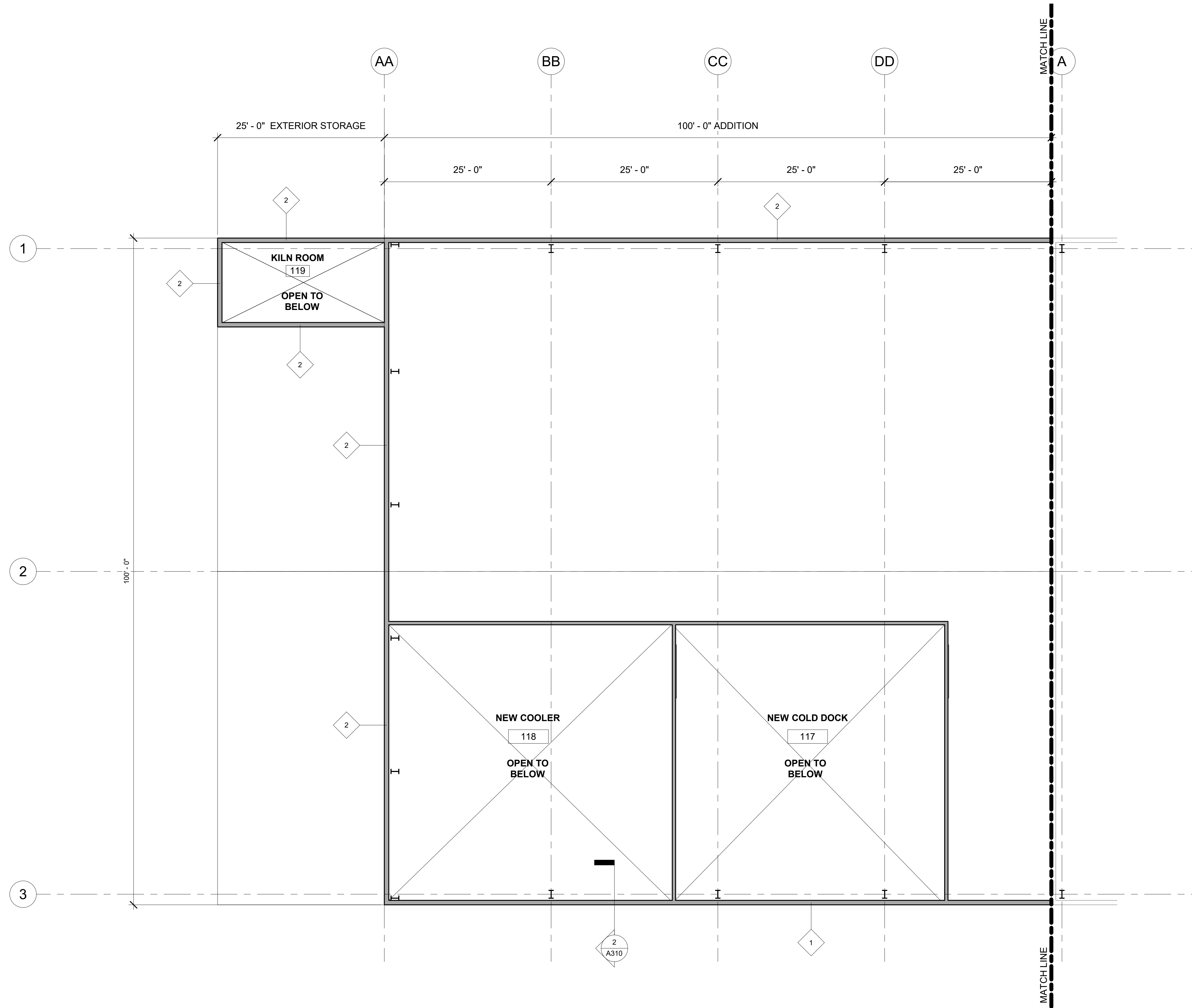


1 PROPOSED FIRST LEVEL FLOOR PLAN - SECTION B
1/8" = 1'-0"

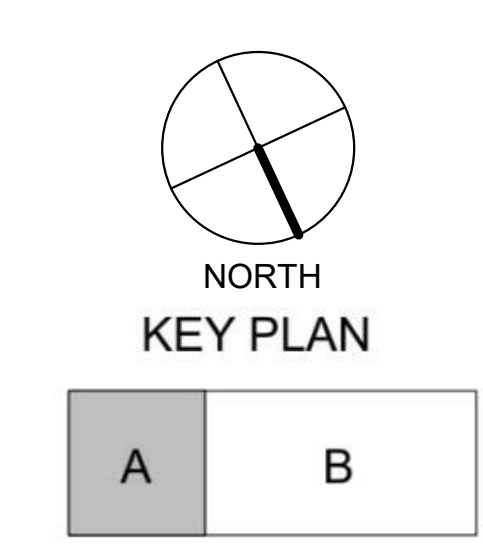


GEORGIA MOUNTAIN FOOD BANK
 1642 CALVARY INDUSTRIAL DRIVE SW
 GAINESVILLE, GA 30607
 09/20/2022
 220001
 AP
 GLP
 PROPOSED FIRST LEVEL FLOOR PLAN
 A104

PERMIT SET. RELEASED OR ISSUED FOR CONSTRUCTION.

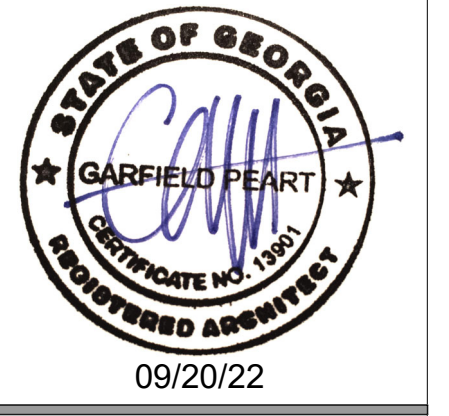


1 PROPOSED SECOND LEVEL FLOOR PLAN - SECTION A
1/8" = 1'-0"



SHEET NOTES

- ALL DIMENSIONS TO BE VERIFIED IN THE FIELD BY THE G.C. PRIOR TO ANY INSTALLATION OF NEW WORK
- ALL EXPOSED GYPSUM BOARD IN LEASE AREA SHALL BE SEALED AND PRIMED ONLY
- GENERAL CONTRACTOR SHALL BE REQUIRED TO VISIT PREMISE TO INSPECT EXISTING CONDITIONS AND VERIFY WORK TO BE PERFORMED.
- ALL WORK PERFORMED SHALL BE IN STRICT COMPLIANCE WITH GOVERNING FEDERAL, STATE AND LOCAL BUILDING CODES REQUIREMENTS.
- FIRE SEAL ALL PENETRATIONS THRU RATED WALLS, FLOORS, AND CEILINGS WITH APPROVED FIRE RATED CAULK AS DIRECTED BY LOCAL JURISDICTIONS.
- THE CONTRACTOR SHALL BE RESPONSIBLE FOR THE REMOVAL OF TRASH AND DEBRIS FROM THE JOB SITE ON A DAILY BASIS.
- REFER TO MECHANICAL, ELECTRICAL AND PLUMBING DRAWINGS FOR EQUIPMENT AND RELATED DETAILS.
- REFER TO STRUCTURAL DRAWINGS FOR FOUNDATION DETAILS.
- SEE STRUCTURAL DRAWINGS FOR ALL SLAB ON GRADE DETAILS AND SPECIFICATIONS
- FOR LOCATION OF MOP SINKS AND FLOOR DRAINS SEE PLUMBING DRAWINGS.
- ALL FRAMING DIMENSIONS ARE ROUGH FRAMING, AND DO NOT INCLUDE ANY FINISH MATERIALS UNLESS OTHERWISE NOTED.
- ALL WALLS SHALL BE OF 6" OR 4" METAL STUDS UNLESS OTHERWISE NOTED.
- APPLY BORIC ACID ON TOP OF THE MUD SILL OR BOTTOM PLATE, PRIOR TO CLOSING ALL WALLS.
- PROVIDE BLOCKING FOR RESTROOM ACCESSORIES, DOOR STOPS, EXP. JOINTS, CABINETS, ETC.
- INSTALL OCCUPANT LOAD SIGN PER LOCAL FIRE MARSHALL. COORDINATE LOCATION WITH OWNER/FIRE MARSHALL.
- PROVIDE MASTIC OR APPROVED SEALANT UNDER ALL EXT. PLATES
- SEE DRAWING A601 FOR DOOR TYPES, SCHEDULE AND HARDWARE SCHEDULE.
- SEE MECHANICAL DRAWING FOR NEW COOLER AND COLD DOCK SPECIFICATIONS.



THIS DRAWING, AS AN INSTRUMENT OF SERVICE, IS AND SHALL REMAIN THE PROPERTY OF THE ARCHITECT AND SHALL NOT BE REPRODUCED, PUBLISHED OR USED IN ANY WAY WITHOUT THE PERMISSION OF THE ARCHITECT.
Copyright © 2022 by Syntony Design Collaborative, LLC

Drawing Revisions:
1 PLAN REVIEW COMMENTS 10.07.22

Drawing Date: 09/20/2022
Project Number: 220001
Drawn By: AP
Checked By: GLP

WALL TYPES

- EXTERIOR - BRICK VENEER TO 4' A.F.F. / 26 GAUGE PBR MTL. PANELS STARTING AT 4' A.F.F. ON EXTERIOR SHEATHING ON WALL GIRTS W/ R-20 BATT INSULATION AND WATERPROOF COVER
- EXTERIOR - 26 GAUGE PBR MTL. PANELS ON EXTERIOR SHEATHING ON WALL GIRTS W/ R-20 BATT INSULATION AND WATERPROOF COVER
- INTERIOR - 3 5/8" MTL. STUD AT 16" O.C. ON 1 LAYER 1/2" GWB (BOTH SIDES) W/ SOUND ATTENUATION INSULATION

GEORGIA MOUNTAIN FOOD BANK
1642 CALVARY INDUSTRIAL DRIVE SW
GAINESVILLE, GA 30607

Drawing Description:
PROPOSED SECOND LEVEL FLOOR PLAN

A105

GEORGIA MOUNTAIN FOOD BANK
 1642 CALVARY INDUSTRIAL DRIVE SW
 GAINESVILLE, GA 30607
 By reviewing the drawings for Code Compliance, the user, design professional, contractor or their representative from the responsibility to comply with all local, state and national codes and standards in effect at time of permit issuance. Our review is not a check of every item and does not prevent the department from requiring corrections during construction. Any corrections to approved plans shall be approved to avoid voiding the permit.

PERMIT SET. RELEASED OR ISSUED FOR CONSTRUCTION.



THIS DRAWING, AS AN INSTRUMENT OF SERVICE, IS AND SHALL REMAIN THE PROPERTY OF THE ARCHITECT AND SHALL NOT BE REPRODUCED, PUBLISHED OR USED IN ANY WAY WITHOUT THE PERMISSION OF THE ARCHITECT.
Copyright © 2022 by Syntony Design Collaborative, LLC

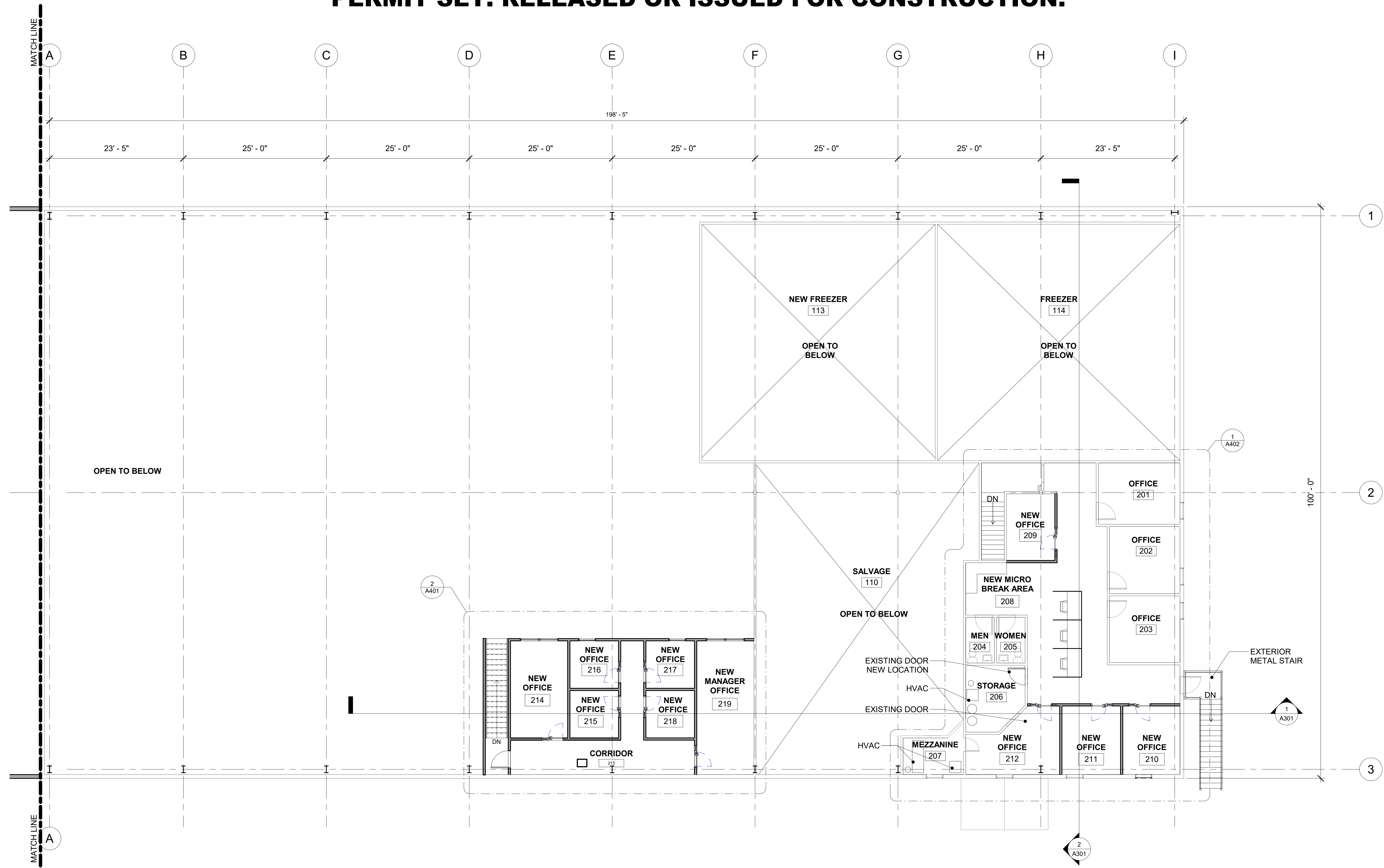
Drawing Revisions:
1 PLAN REVIEW COMMENTS 10.07.22

Drawing Date: 09/20/2022
Project Number: 220001
Drawn By: AP
Checked By: GLP

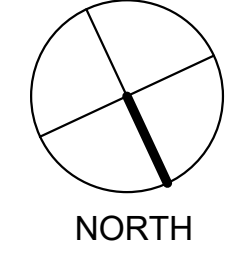
GEORGIA MOUNTAIN FOOD BANK
1642 CALVARY INDUSTRIAL DRIVE SW
GAINESVILLE, GA 30607

Drawing Description:
PROPOSED SECOND LEVEL FLOOR PLAN

A106



PROPOSED SECOND LEVEL FLOOR PLAN - SECTION B
1/8" = 1'-0"



NORTH

KEY PLAN



09/20/22 10:00 AM
 By reviewing the drawings for Code Compliance, date not shown, the user's design professional, contractors or their representatives from the responsibility to comply with all local, state and national codes and standards in effect at time of permit issuance. Our review is not a check of every item and does not prevent the department from requiring corrections during construction. Any changes/alterations to approved plans shall be approved to avoid voiding the permit.

PERMIT SET. RELEASED OR ISSUED FOR CONSTRUCTION.

INTERIOR FIXTURE SCHEDULE		
MARK	SYMBOL	DESCRIPTION
A		2' x 4' NEW LIGHTING FIXTURE
B		2' x 2' RECESSED FIXTURE
C		2' x 4' EXISTING LIGHTING FIXTURE
G		1' x 4' WALL MOUNTED LED
T		FLUORESCENT STRIP LIGHTING FIXTURE
W		LED WALLPACK
RETURN		2' x 2'
SUPPLY		2' x 2'
EMERGENCY EXIT LIGHT		EMERGENCY EXIT LIGHT
EMERGENCY LIGHT UNIT		SELF-CONTAINED EMERGENCY LIGHTING BATTERY UNIT



THIS DRAWING, AS AN INSTRUMENT OF SERVICE, IS AND SHALL REMAIN THE PROPERTY OF THE ARCHITECT AND SHALL NOT BE REPRODUCED, PUBLISHED OR USED IN ANY WAY WITHOUT THE PERMISSION OF THE ARCHITECT.
Copyright © 2022 by Syntony Design Collaborative, LLC

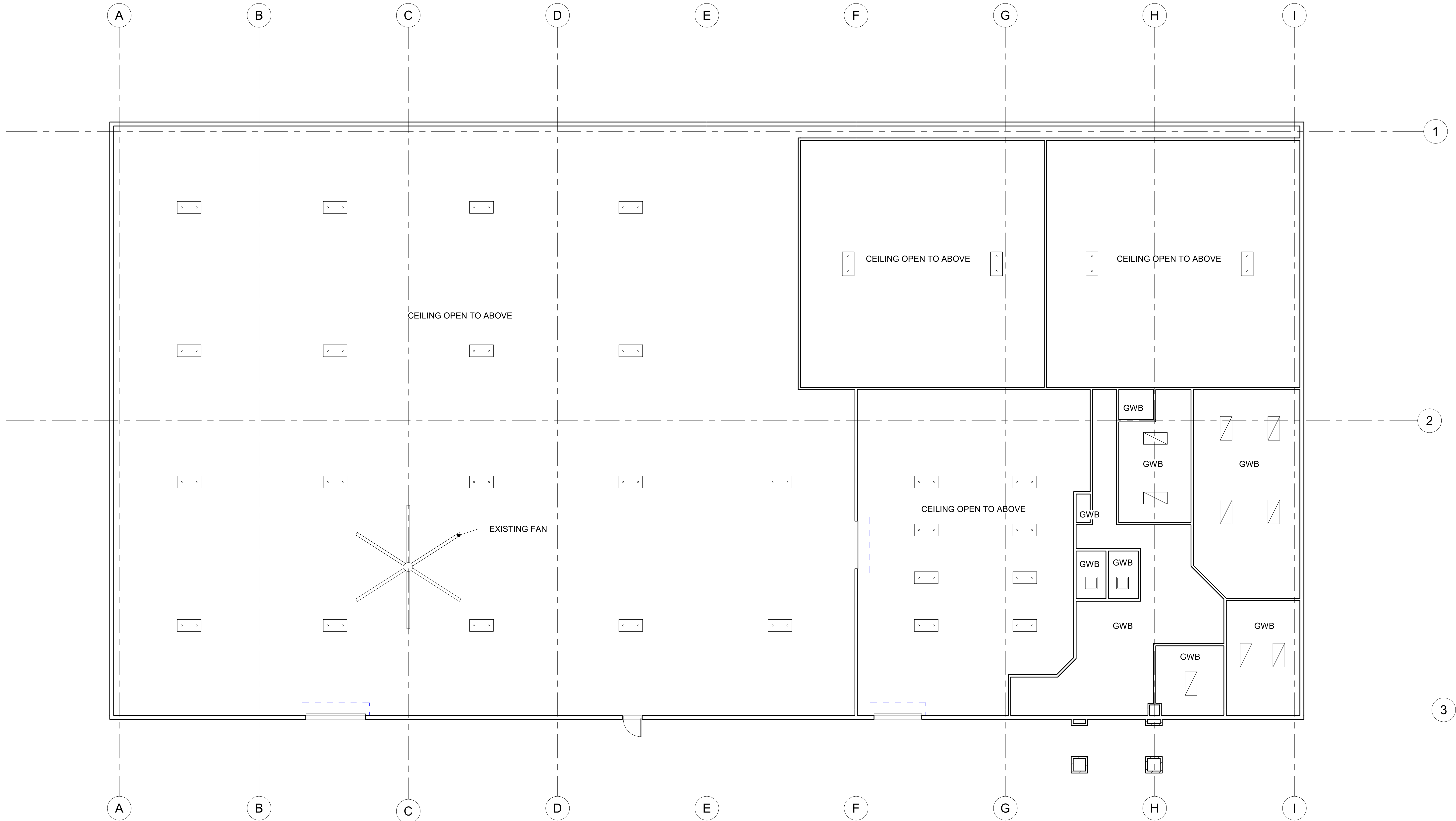
Drawing Revisions:
1 PLAN REVIEW COMMENTS 10.07.22

Drawing Date: 09/20/2022
Project Number: 220001
Drawn By: CR
Checked By: GLP

GEORGIA MOUNTAIN FOOD BANK
1642 CALVARY INDUSTRIAL DRIVE SW
GAINESVILLE, GA 30607

Drawing Description:
EXISTING FIRST LEVEL REFLECTED CEILING PLAN

A107



1 EXISTING REFLECTED CEILING PLAN - FIRST LEVEL
1/8" = 1'-0"

GEORGIA MOUNTAIN FOOD BANK
 1642 CALVARY INDUSTRIAL DRIVE SW
 GAINESVILLE, GA 30607
 PROJECT NUMBER: 220001
 DRAWING DATE: 09/20/2022
 DRAWN BY: CR
 CHECKED BY: GLP
 THIS DRAWING, AS AN INSTRUMENT OF SERVICE, IS AND SHALL REMAIN THE PROPERTY OF THE ARCHITECT AND SHALL NOT BE REPRODUCED, PUBLISHED OR USED IN ANY WAY WITHOUT THE PERMISSION OF THE ARCHITECT.
 Copyright © 2022 by Syntony Design Collaborative, LLC

PERMIT SET. RELEASED OR ISSUED FOR CONSTRUCTION.

INTERIOR FIXTURE SCHEDULE		
MARK	SYMBOL	DESCRIPTION
A		2' x 4' NEW LIGHTING FIXTURE
B		2' x 2' RECESSED FIXTURE
C		2' x 4' EXISTING LIGHTING FIXTURE
G		1' x 4' WALL MOUNTED LED
T		FLUORESCENT STRIP LIGHTING FIXTURE
W		LED WALLPACK
RETURN		2' x 2'
SUPPLY		2' x 2'
EMERGENCY EXIT LIGHT		EMERGENCY EXIT LIGHT
EMERGENCY LIGHT UNIT		SELF-CONTAINED EMERGENCY LIGHTING BATTERY UNIT



THIS DRAWING, AS AN INSTRUMENT OF SERVICE, IS AND SHALL REMAN THE PROPERTY OF THE ARCHITECT AND SHALL NOT BE REPRODUCED, PUBLISHED OR USED IN ANY WAY WITHOUT THE PERMISSION OF THE ARCHITECT.
Copyright © 2022 by Syntony Design Collaborative, LLC

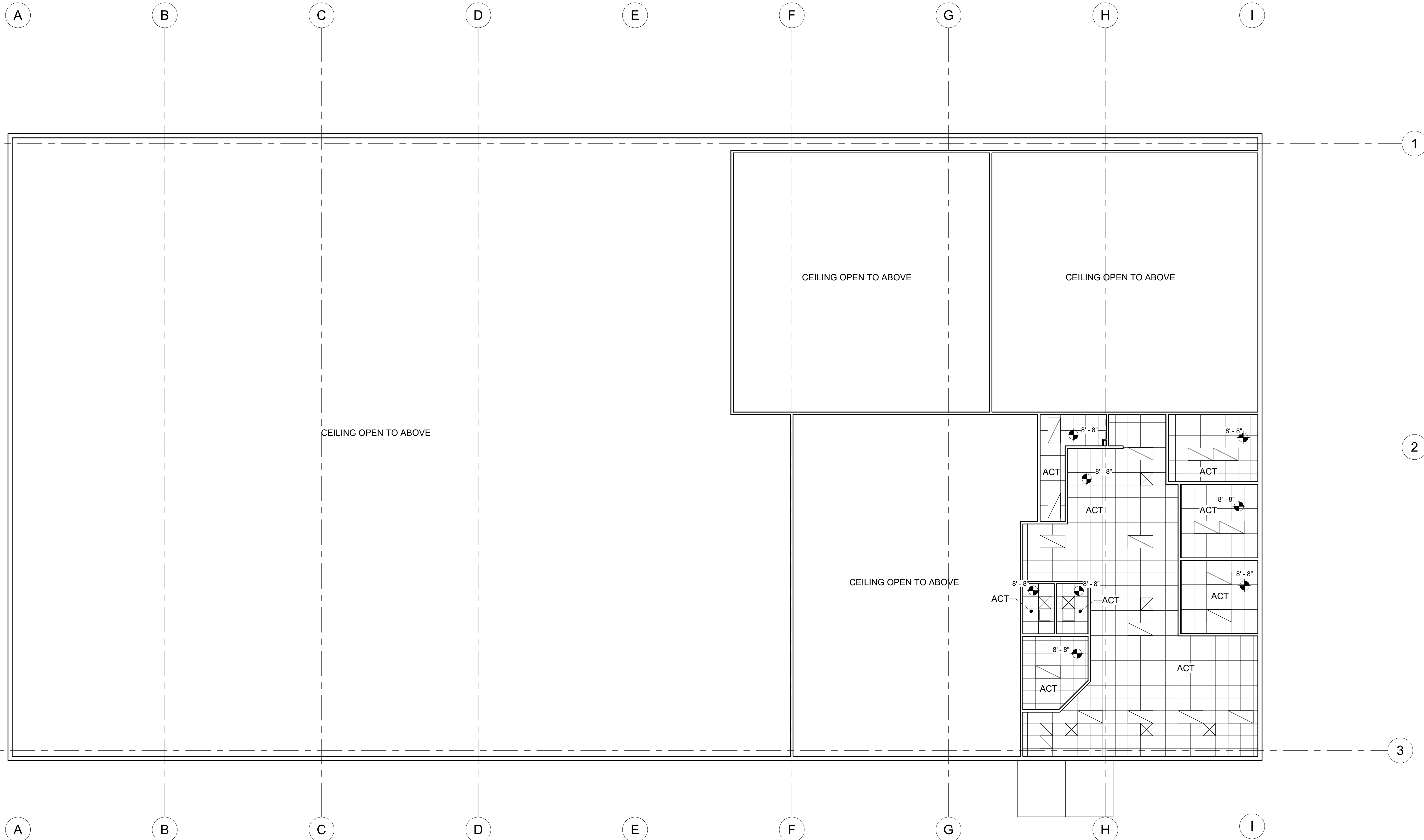
Drawing Revisions:
1 PLAN REVIEW COMMENTS 10.07.22

Drawing Date: 09/20/2022
Project Number: 220001
Drawn By: CR
Checked By: GLP

GEORGIA MOUNTAIN FOOD BANK
1642 CALVARY INDUSTRIAL DRIVE SW
GAINESVILLE, GA 30607

Drawing Description:
EXISTING
SECOND LEVEL
REFLECTED
CEILING PLAN

A108



EXISTING REFLECTED CEILING PLAN - SECOND LEVEL
1/8" = 1'-0"

GEORGIA MOUNTAIN FOOD BANK
 1642 CALVARY INDUSTRIAL DRIVE SW
 GAINESVILLE, GA 30607
 09/20/22
 220001
 CR
 GLP
 EXISTING
 SECOND LEVEL
 REFLECTED
 CEILING PLAN
 A108

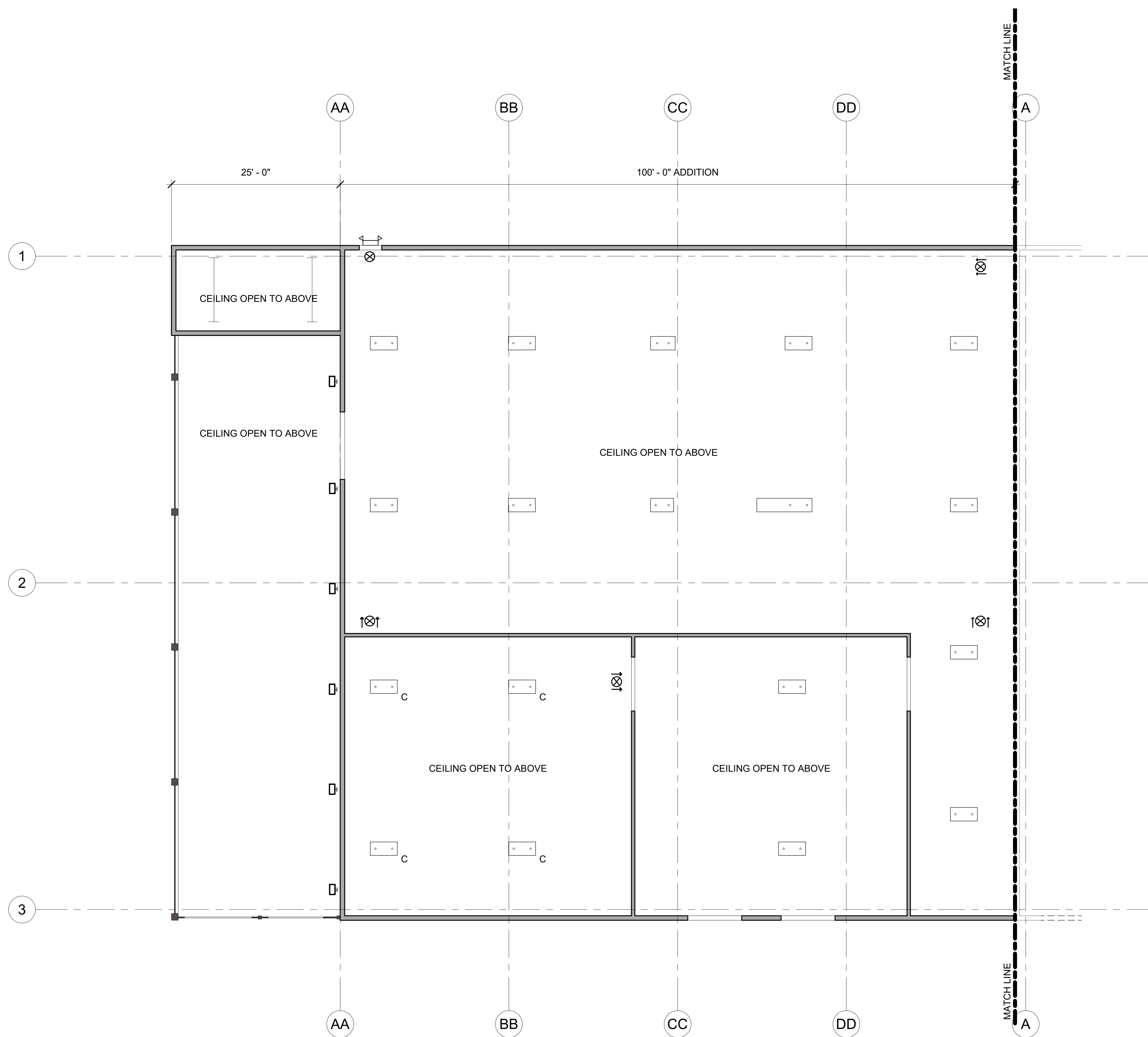
PERMIT SET. RELEASED OR ISSUED FOR CONSTRUCTION.

INTERIOR FIXTURE SCHEDULE		
MARK	SYMBOL	DESCRIPTION
A		2' x 4' NEW LIGHTING FIXTURE
B		2' x 2' RECESSED FIXTURE
C		2' x 4' EXISTING LIGHTING FIXTURE
G		1' x 4' WALL MOUNTED LED
T		FLUORESCENT STRIP LIGHTING FIXTURE
W		LED WALLPACK
RETURN		2' x 2'
SUPPLY		2' x 2'
EMERGENCY EXIT LIGHT		EMERGENCY EXIT LIGHT
EMERGENCY LIGHT UNIT		SELF-CONTAINED EMERGENCY LIGHTING BATTERY UNIT

CEILING FINISHES		
SYMBOL	LABEL	MATERIAL
	ACT	2'x2' ACOUSTIC CEILING TILE
	GWB	GYPSUM WALL BOARD

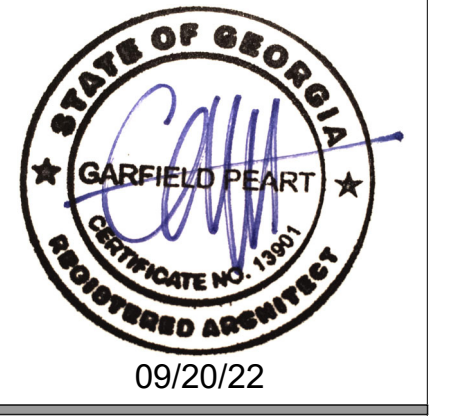
- RCP NOTES**
- NOTES:**
- GENERAL CONTRACTOR SHALL COORDINATE WITH ALL TRADES INVOLVED TO PROVIDE CLEARANCES FOR FIXTURES, DUCTS, CEILING, ETC. NECESSARY TO MAINTAIN THE SPECIFIED FINISHED CEILING HEIGHT ABOVE THE FINISHED FLOOR SLAB AS NOTED ON DRAWINGS. NOTIFY OWNER OF ANY DISCREPANCIES.
 - GENERAL CONTRACTOR IS RESPONSIBLE FOR ALL ROOF PENETRATIONS FOR HVAC EQUIPMENT AND PLUMBING - ALL ROOF FLASHING TO COMPLY WITH ROOF OR METAL BUILDING MANUFACTURER'S GUIDELINES AND DETAILS. COORDINATE LOCATIONS OF RATED WALL WITH FIRE/SMOKE DAMPERS & PENETRATIONS SEALS. REFERENCE LIFE SAFETY DIAGRAMS FOR EXTENTS OF UL RATED WALL, CEILING AND ROOF CONSTRUCTION AND CONSULTANT ENGINEERING DRAWINGS. NOTIFY OWNER OF ANY DISCREPANCIES.
 - COORDINATE ALL ACCESS PANEL LOCATIONS IN GWB CEILINGS AND RATED WALL ASSEMBLIES WITH MECHANICAL DRAWINGS.
 - CONTRACTOR TO COORDINATE LOCATION OF WATER HEATER AND ACCESS ABOVE GWB CEILING WITH MECHANICAL DRAWINGS
 - ALL EXPOSED GYPSUM BOARD SHALL BE SEALED WITH ONE COAT OF SEALER AND TWO COATS SEMI-GLOSS ENAMEL. (REF. SPECS.)
 - FOR DETAILS NOT CALLED OUT ON REFLECTED CEILING PLAN, SEE INTERIOR ROOM ELEVATIONS.
 - ALL AV EQUIPMENT TO INCLUDE ELECTRONIC MENUS, MONITORS ETC. SHALL BE DONE BY OTHERS
 - CEILING HEIGHTS SHOWN ARE FROM FINISHED CEILING SURFACE TO CONCRETE SLAB.
 - LOCATE ALL LIGHTS AND CEILING REGISTERS AS SHOWN. REFER TO MECH. DRAWINGS FOR ALL REGISTERS AND DIFFUSERS.
 - REFER TO ELEC. DRAWINGS FOR ALL LIGHTING FIXTURES AND SPECIFICATION.
 - VERIFY AND LOCATE QUANTITY OF EXIT SIGNS, EMERGENCY LIGHTING AND SMOKE/HEAT DETECTION DEVICES AS REQUIRED BY CODE AND LICENSED ELECTRICAL SUB-CONTRACTOR.

- LIGHTING FIXTURES:**
- ALL FIXTURES AND DEVICES SHALL BE CENTERED IN THE CEILING TILE UNLESS OTHERWISE NOTED.
 - ALL FIXTURES SHALL BE CONTRACTOR FURNISHED AND INSTALLED.
 - ALL LIGHT FIXTURES ARE SHOWN IN FIXTURE SCHEDULE FOR GRAPHICAL INDICATION ONLY.
 - ALL WET AREAS RECEIVE APPROPRIATE WET CONDITION FIXTURES.
 - ALL LIGHTING FIXTURES SHALL BE POSITIVELY ATTACHED TO THE SUSP. CEILING SYSTEM. THE ATTACHMENT DEVICE SHALL HAVE A CAPACITY OF 100% OF THE LIGHTING FIXTURE WEIGHT ACTING IN ANY DIRECTION NO. 12 GA. HANGERS SHALL BE ATTACHED TO THE GRID MEMBERS WITHIN 3" OF EACH CORNER OF EACH FIXTURE. TANDEM FIXTURES MAY UTILIZE COMMON WIRES.
 - LIGHTING FIXTURE WEIGHING LESS THAN 56 LBS. SHALL HAVE, IN ADDITION TO THE REQUIREMENTS OUTLINED ABOVE, TWO NO. 12 GA. HANGERS CONNECTED FROM THE FIXTURE HOUSING TO THE STRUCTURE ABOVE. THESE WIRES MAY BE SLACK.
 - LIGHTING FIXTURES 56 LBS. OR MORE SHALL BE SUPPORTED BY DIRECTLY FROM THE STRUCTURE ABOVE BY APPROVED HANGERS.
 - PENDANT-HUNG LIGHTING FIXTURES SHALL BE SUPPORTED DIRECTLY FROM THE STRUCTURE ABOVE USING NO. 9 GA. WIRE OR APPROVED ALTERNATE SUPPORT WITHOUT USING THE CEILING SUSPENSION ITEM FOR DIRECT SUPPORT.



PROPOSED REFLECTED CEILING PLAN - FIRST LEVEL - SECTION A
 1/8" = 1'-0"

KEY PLAN



THIS DRAWING, AS AN INSTRUMENT OF SERVICE, IS AND SHALL REMAIN THE PROPERTY OF THE ARCHITECT AND SHALL NOT BE REPRODUCED, PUBLISHED OR USED IN ANY WAY WITHOUT THE PERMISSION OF THE ARCHITECT.
 Copyright © 2022 by Syntony Design Collaborative, LLC

Drawing Revisions:

1	PLAN REVIEW COMMENTS	10.07.22
---	----------------------	----------

Drawing Date: 09/20/2022
Project Number: 220001
Drawn By: AP
Checked By: GLP

GEORGIA MOUNTAIN FOOD BANK
 1642 CALVARY INDUSTRIAL DRIVE SW
 GAINESVILLE, GA 30607

Drawing Description:
 PROPOSED FIRST LEVEL REFLECTED CEILING PLAN

A109

GEORGIA MOUNTAIN FOOD BANK: By reviewing the drawings for Code Compliance, the user, design professional, contractor or other responsible party, shall be responsible for any and all local, state and national codes and standards in effect at time of permit issuance. Our review is not a check of every item and does not prevent the department from requiring corrections during construction. Any changes/alterations to approved plans shall be approved to avoid voiding the permit.

PERMIT SET. RELEASED OR ISSUED FOR CONSTRUCTION.



Syntony
Design Collaborative LLC

INTERIOR FIXTURE SCHEDULE		
MARK	SYMBOL	DESCRIPTION
A		2' x 4' NEW LIGHTING FIXTURE
B		2' x 2' RECESSED FIXTURE
C		2' x 4' EXISTING LIGHTING FIXTURE
G		1' x 4' WALL MOUNTED LED
T		FLUORESCENT STRIP LIGHTING FIXTURE
W		LED WALLPACK
RETURN		2' x 2'
SUPPLY		2' x 2'
EMERGENCY EXIT LIGHT		EMERGENCY EXIT LIGHT
EMERGENCY LIGHT UNIT		SELF-CONTAINED EMERGENCY LIGHTING BATTERY UNIT

CEILING FINISHES		
SYMBOL	LABEL	MATERIAL
	ACT	2'x2' ACOUSTIC CEILING TILE
	GWB	GYPSUM WALL BOARD

RCP NOTES

- NOTES:**
- GENERAL CONTRACTOR SHALL COORDINATE WITH ALL TRADES INVOLVED TO PROVIDE CLEARANCES FOR FIXTURES, DUCTS, CEILING, ETC. NECESSARY TO MAINTAIN THE SPECIFIED FINISHED CEILING HEIGHT ABOVE THE FINISHED FLOOR SLAB AS NOTED ON DRAWINGS. NOTIFY OWNER OF ANY DISCREPANCIES. GENERAL CONTRACTOR IS RESPONSIBLE FOR ALL ROOF PENETRATIONS FOR HVAC EQUIPMENT AND PLUMBING - ALL ROOF FLASHING TO COMPLY WITH ROOF OR METAL BUILDING MANUFACTURER'S GUIDELINES AND DETAILS. COORDINATE LOCATIONS OF RATED WALL WITH FIRE/SMOKE DAMPERS & PENETRATIONS SEALS. REFERENCE LIFE SAFETY DIAGRAMS FOR EXTENTS OF UL RATED WALL, CEILING AND ROOF CONSTRUCTION AND CONSULTANT ENGINEERING DRAWINGS. NOTIFY OWNER OF ANY DISCREPANCIES.
 - COORDINATE ALL ACCESS PANEL LOCATIONS IN GWB CEILINGS AND RATED WALL ASSEMBLIES WITH MECHANICAL DRAWINGS.
 - CONTRACTOR TO COORDINATE LOCATION OF WATER HEATER AND ACCESS ABOVE GWB CEILING WITH MECHANICAL DRAWINGS.
 - ALL EXPOSED GYPSUM BOARD SHALL BE SEALED WITH ONE COAT OF SEALER AND TWO COATS SEMI-GLOSS ENAMEL, (RE: SPECS.)
 - FOR DETAILS NOT CALLED OUT ON REFLECTED CEILING PLAN, SEE INTERIOR ROOM ELEVATIONS.
 - ALL AV EQUIPMENT TO INCLUDE ELECTRONIC MENUS, MONITORS ETC. SHALL BE DONE BY OTHERS.
 - CEILING HEIGHTS SHOWN ARE FROM FINISHED CEILING SURFACE TO CONCRETE SLAB.
 - LOCATE ALL LIGHTS AND CEILING REGISTERS AS SHOWN. REFER TO MECH. DRAWINGS FOR ALL REGISTERS AND DIFFUSERS.
 - REFER TO ELEC. DRAWINGS FOR ALL LIGHTING FIXTURES AND SPECIFICATION.
 - VERIFY AND LOCATE QUANTITY OF EXIT SIGNS, EMERGENCY LIGHTING AND SMOKE/HEAT DETECTION DEVICES AS REQUIRED BY CODE AND LICENSED ELECTRICAL SUB-CONTRACTOR.

LIGHTING FIXTURES:

- ALL FIXTURES AND DEVICES SHALL BE CENTERED IN THE CEILING TILE UNLESS OTHERWISE NOTED.
- ALL FIXTURES SHALL BE CONTRACTOR FURNISHED AND INSTALLED.
- ALL LIGHT FIXTURES ARE SHOWN IN FIXTURE SCHEDULE FOR GRAPHICAL INDICATION ONLY.
- ALL WET AREAS RECEIVE APPROPRIATE WET CONDITION FIXTURES.
- ALL LIGHTING FIXTURES SHALL BE POSITIVELY ATTACHED TO THE SUSP. CEILING SYSTEM. THE ATTACHMENT DEVICE SHALL HAVE A CAPACITY OF 100% OF THE LIGHTING FIXTURE WEIGHT ACTING IN ANY DIRECTION. NO. 12 GA. HANGERS SHALL BE ATTACHED TO THE GRID MEMBERS WITHIN 3" OF EACH CORNER OF EACH FIXTURE. TANDEM FIXTURES MAY UTILIZE COMMON WIRES.
- LIGHTING FIXTURE WEIGHING LESS THAN 56 LBS. SHALL HAVE, IN ADDITION TO THE REQUIREMENTS OUTLINED ABOVE, TWO NO. 12 GA. HANGERS CONNECTED FROM THE FIXTURE HOUSING TO THE STRUCTURE ABOVE. THESE WIRES MAY BE SLACK.
- LIGHTING FIXTURES 56 LBS. OR MORE SHALL BE SUPPORTED BY DIRECTLY FROM THE STRUCTURE ABOVE BY APPROVED HANGERS.
- PENDANT-HUNG LIGHTING FIXTURES SHALL BE SUPPORTED DIRECTLY FROM THE STRUCTURE ABOVE USING NO. 9 GA. WIRE OR APPROVED ALTERNATE SUPPORT WITHOUT USING THE CEILING SUSPENSION ITEM FOR DIRECT SUPPORT.

THIS DRAWING, AS AN INSTRUMENT OF SERVICE, IS AND SHALL REMAIN THE PROPERTY OF THE ARCHITECT AND SHALL NOT BE REPRODUCED, PUBLISHED OR USED IN ANY WAY WITHOUT THE PERMISSION OF THE ARCHITECT.
Copyright © 2022 by Syntony Design Collaborative, LLC

Drawing Revisions:

1 PLAN REVIEW COMMENTS 10.07.22

Drawing Date: 09/20/2022
Project Number: 220001
Drawn By: AP
Checked By: GLP

GEORGIA MOUNTAIN FOOD BANK
1642 CALVARY INDUSTRIAL DRIVE SW
GAINESVILLE, GA 30607

Drawing Description:

PROPOSED FIRST LEVEL REFLECTED CEILING PLAN

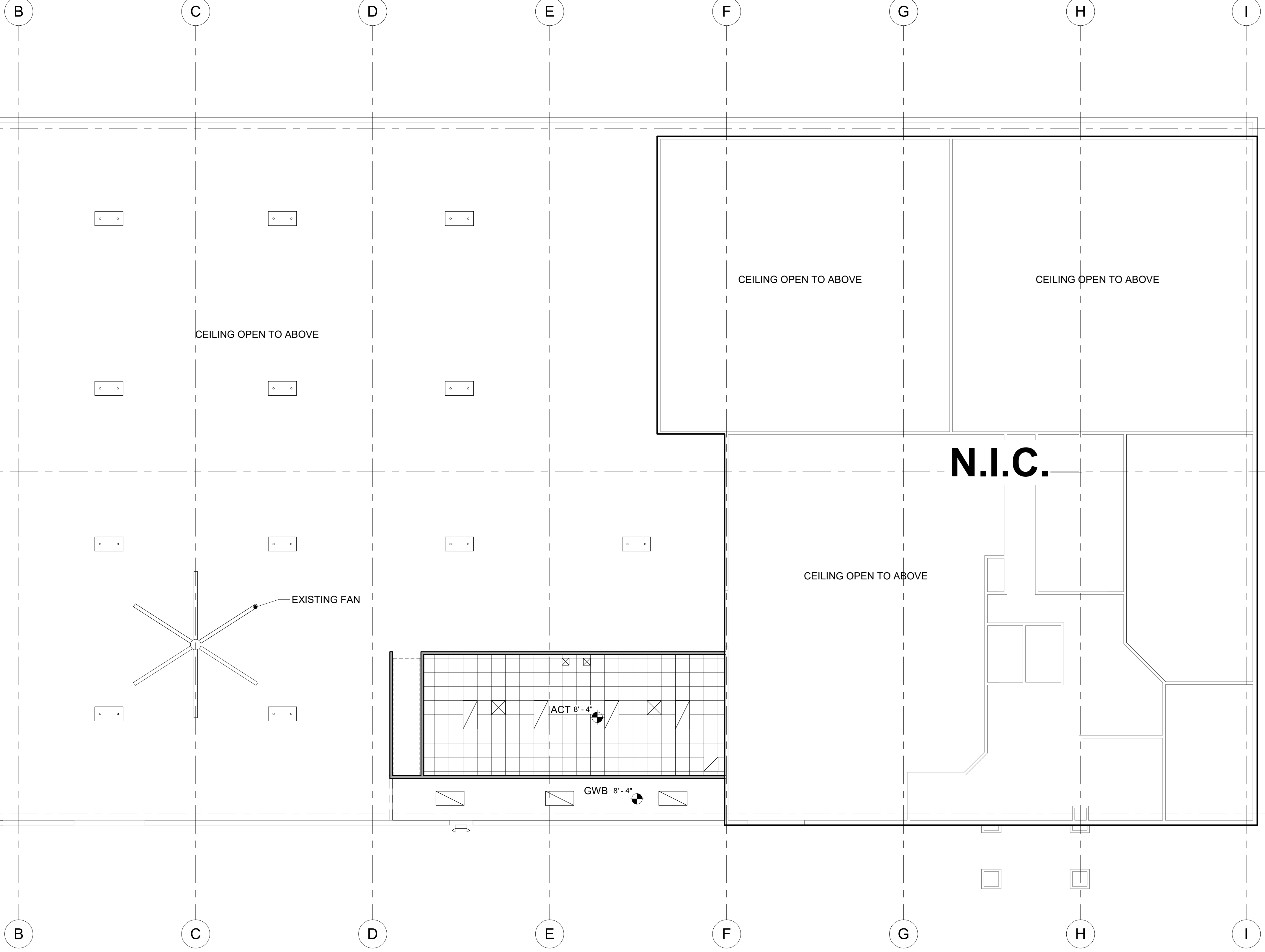
KEY PLAN



A110

MATCH LINE

MATCH LINE



PROPOSED REFLECTED CEILING PLAN - FIRST LEVEL - SECTION B
1/8" = 1'-0"

CONTRACTOR: BY REVIEWING THE SHEET(S) FOR CODE COMPLIANCE, THE USER'S DESIGN PROFESSIONAL, CONTRACTOR OR THEIR REPRESENTATIVE SHALL BE RESPONSIBLE TO VERIFY WITH ALL LOCAL, STATE AND NATIONAL CODES AND STANDARDS IN EFFECT AT TIME OF PERMIT ASSUANCE. OUR REVIEW IS NOT A CHECK OF EVERY ITEM AND DOES NOT PREVENT THE CONTRACTOR FROM REQUIRING CORRECTIONS DURING CONSTRUCTION. ANY CORRECTIONS TO APPROVED PLANS SHALL BE APPROVED TO AVOID VIOLATING THE PERMIT.



PERMIT SET. RELEASED OR ISSUED FOR CONSTRUCTION.

INTERIOR FIXTURE SCHEDULE		
MARK	SYMBOL	DESCRIPTION
A		2' x 4' NEW LIGHTING FIXTURE
B		2' x 2' RECESSED FIXTURE
C		2' x 4' EXISTING LIGHTING FIXTURE
G		1' x 4' WALL MOUNTED LED
T		FLUORESCENT STRIP LIGHTING FIXTURE
W		LED WALLPACK
RETURN		2' x 2'
SUPPLY		2' x 2'
EMERGENCY EXIT LIGHT		EMERGENCY EXIT LIGHT
EMERGENCY LIGHT UNIT		SELF-CONTAINED EMERGENCY LIGHTING BATTERY UNIT

CEILING FINISHES		
SYMBOL	LABEL	MATERIAL
	ACT	2'x2' ACOUSTIC CEILING TILE
	GWB	GYPSUM WALL BOARD

RCP NOTES

- NOTES:**
- GENERAL CONTRACTOR SHALL COORDINATE WITH ALL TRADES INVOLVED TO PROVIDE CLEARANCES FOR FIXTURES, DUCTS, CEILING, ETC. NECESSARY TO MAINTAIN THE SPECIFIED FINISHED CEILING HEIGHT ABOVE THE FINISHED FLOOR SLAB AS NOTED ON DRAWINGS. NOTIFY OWNER OF ANY DISCREPANCIES. GENERAL CONTRACTOR IS RESPONSIBLE FOR ALL ROOF PENETRATIONS FOR HVAC EQUIPMENT AND PLUMBING - ALL ROOF FLASHING TO COMPLY WITH ROOF OR METAL BUILDING MANUFACTURER'S GUIDELINES AND DETAILS. COORDINATE LOCATIONS OF RATED WALL WITH FIRE/SMOKE DAMPERS & PENETRATIONS SEALS. REFERENCE LIFE SAFETY DIAGRAMS FOR EXTENTS OF UL RATED WALL, CEILING AND ROOF CONSTRUCTION AND CONSULTANT ENGINEERING DRAWINGS. NOTIFY OWNER OF ANY DISCREPANCIES.
 - COORDINATE ALL ACCESS PANEL LOCATIONS IN GWB CEILINGS AND RATED WALL ASSEMBLIES WITH MECHANICAL DRAWINGS.
 - CONTRACTOR TO COORDINATE LOCATION OF WATER HEATER AND ACCESS ABOVE GWB CEILING WITH MECHANICAL DRAWINGS.
 - ALL EXPOSED GYPSUM BOARD SHALL BE SEALED WITH ONE COAT OF SEALER AND TWO COATS SEMI-GLOSS ENAMEL. (RE: SPECS.)
 - FOR DETAILS NOT CALLED NOT OUT ON REFLECTED CEILING PLAN, SEE INTERIOR ROOM ELEVATIONS.
 - ALL AV EQUIPMENT TO INCLUDE ELECTRONIC MENUS, MONITORS ETC. SHALL BE DONE BY OTHERS.
 - CEILING HEIGHTS SHOWN ARE FROM FINISHED CEILING SURFACE TO CONCRETE SLAB.
 - LOCATE ALL LIGHTS AND CEILING REGISTERS AS SHOWN.
 - REFER TO MECH. DRAWINGS FOR ALL REGISTERS AND DIFFUSERS.
 - REFER TO ELEC. DRAWINGS FOR ALL LIGHTING FIXTURES AND SPECIFICATION.
 - VERIFY AND LOCATE QUANTITY OF EXIT SIGNS. EMERGENCY LIGHTING AND SMOKE/HEAT DETECTION DEVICES AS REQUIRED BY CODE AND LICENSED ELECTRICAL SUB-CONTRACTOR.

LIGHTING FIXTURES:

- ALL FIXTURES AND DEVICES SHALL BE CENTERED IN THE CEILING TILE UNLESS OTHERWISE NOTED.
- ALL FIXTURES SHALL BE CONTRACTOR FURNISHED AND INSTALLED.
- ALL LIGHT FIXTURES ARE SHOWN IN FIXTURE SCHEDULE FOR GRAPHICAL INDICATION ONLY.
- ALL WET AREAS RECEIVE APPROPRIATE WET CONDITION FIXTURES.
- ALL LIGHTING FIXTURES SHALL BE POSITIVELY ATTACHED TO THE SUSP. CEILING SYSTEM. THE ATTACHMENT DEVICE SHALL HAVE A CAPACITY OF 100% OF THE LIGHTING FIXTURE WEIGHT ACTING IN ANY DIRECTION NO. 12 GA. HANGERS SHALL BE ATTACHED TO THE GRID MEMBERS WITHIN 3" OF EACH CORNER OF EACH FIXTURE. TANDEM FIXTURES MAY UTILIZE COMMON WIRES.
- LIGHTING FIXTURE WEIGHING LESS THAN 50 LBS. SHALL HAVE, IN ADDITION TO THE REQUIREMENTS OUTLINED ABOVE, TWO NO. 12 GA. HANGERS CONNECTED FROM THE FIXTURE HOUSING TO THE STRUCTURE ABOVE. THESE WIRES MAY BE SLACK.
- LIGHTING FIXTURES 50 LBS. OR MORE SHALL BE SUPPORTED BY DIRECTLY FROM THE STRUCTURE ABOVE BY APPROVED HANGERS.
- PENDANT-HUNG LIGHTING FIXTURES SHALL BE SUPPORTED DIRECTLY FROM THE STRUCTURE ABOVE USING NO. 9 GA. WIRE OR APPROVED ALTERNATE SUPPORT WITHOUT USING THE CEILING SUSPENSION ITEM FOR DIRECT SUPPORT.



THIS DRAWING, AS AN INSTRUMENT OF SERVICE, IS AND SHALL REMAIN THE PROPERTY OF THE ARCHITECT AND SHALL NOT BE REPRODUCED, PUBLISHED OR USED IN ANY WAY WITHOUT THE PERMISSION OF THE ARCHITECT.

Copyright © 2022 by Syntony Design Collaborative, LLC

Drawing Revisions:

- PLAN REVIEW COMMENTS 10.07.22

Drawing Date: 09/20/2022
 Project Number: 220001
 Drawn By: AP
 Checked By: GLP

GEORGIA MOUNTAIN FOOD BANK
 1642 CALVARY INDUSTRIAL DRIVE SW
 GAINESVILLE, GA 30607

Drawing Description:
 PROPOSED SECOND LEVEL REFLECTED CEILING PLAN

A111

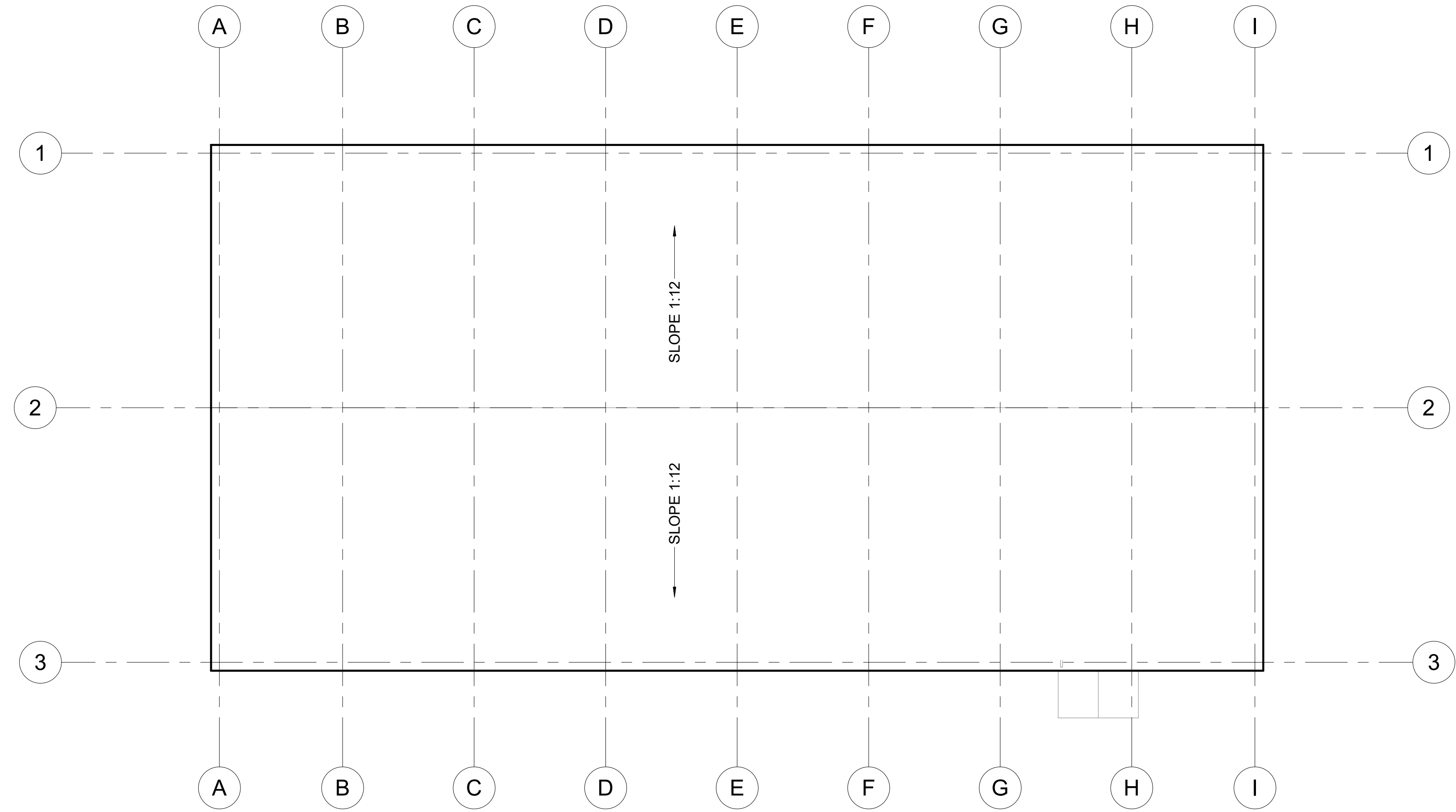


PROPOSED REFLECTED CEILING PLAN - SECOND LEVEL - SECTION B
 1/8" = 1'-0"

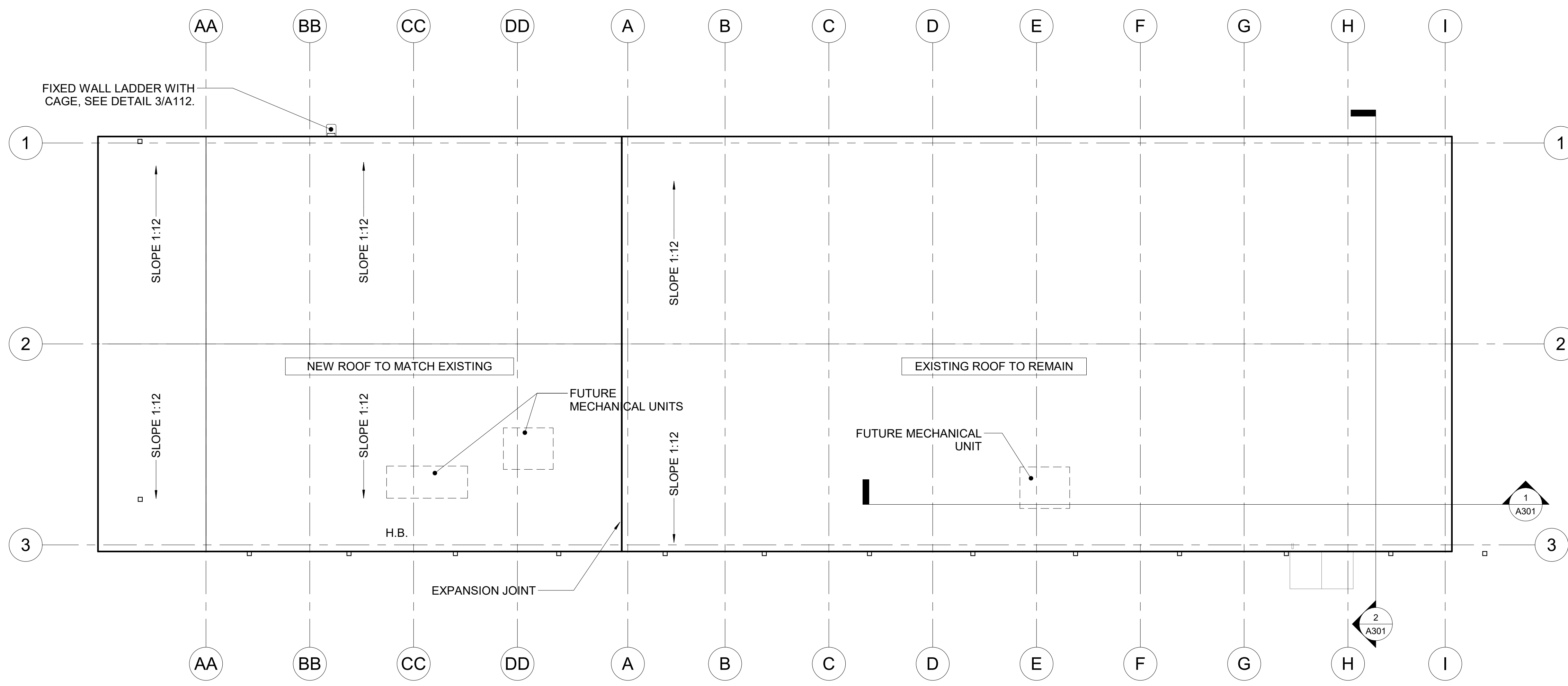
KEY PLAN



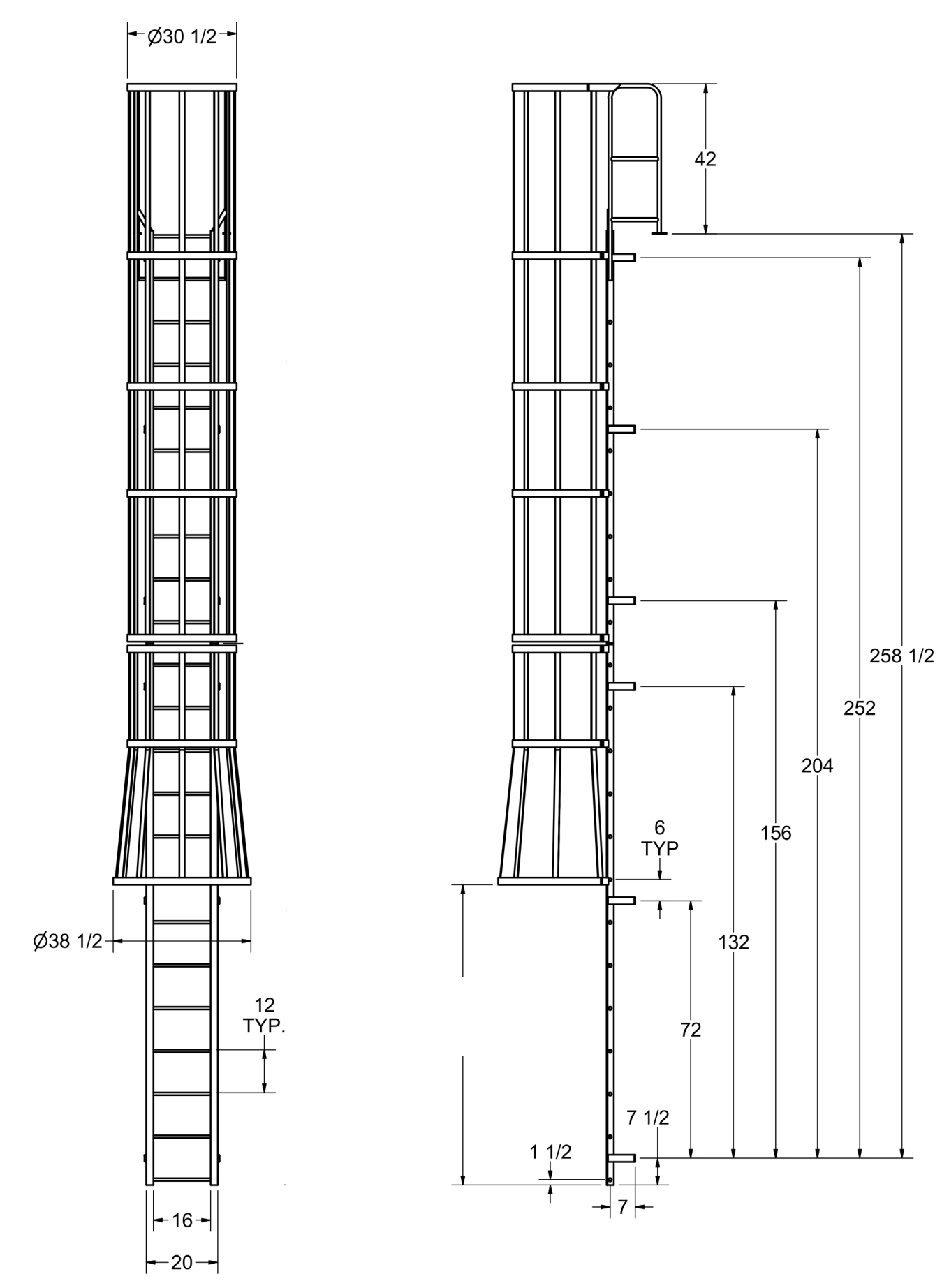
GEORGIA MOUNTAIN FOOD BANK
 1642 CALVARY INDUSTRIAL DRIVE SW
 GAINESVILLE, GA 30607
 PROFESSIONAL ENGINEER
 GARFIELD PEART
 LICENSE NO. 10457
 STATE OF GEORGIA
 EXPIRES 09/20/22



1 EXISTING ROOF PLAN
1/16" = 1'-0"



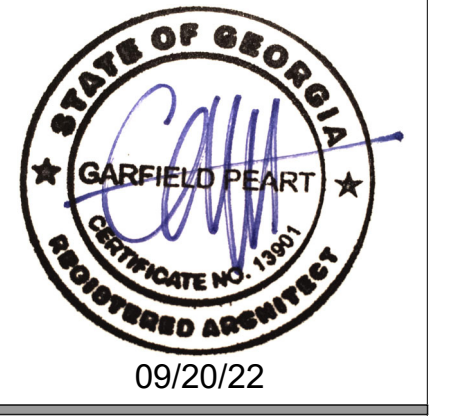
2 PROPOSED ROOF PLAN
1/16" = 1'-0"



3 FIXED WALL LADDER WITH CAGE
N.T.S.

**PERMIT SET.
RELEASED OR
ISSUED FOR
CONSTRUCTION.**

- ROOF NOTES**
1. GENERAL CONTRACTOR IS RESPONSIBLE FOR ALL ROOF PENETRATIONS FOR HVAC EQUIPMENT AND PLUMBING - ALL ROOF FLASHING TO COMPLY WITH ROOF MANUFACTURER'S GUIDELINES AND DETAILS.
 2. FOR ALL STRUCTURAL FRAMING MEMBER, SIZES AND ADDITIONAL INFORMATION, SEE STRUCTURAL DRAWINGS
 3. ALL ROOFING INSTALLATION SHALL BE IN COMPLIANCE WITH ROOFING MANUFACTURER RECOMMENDATIONS TO ENSURE REQUIRED WARRANTY. SEE SPECIFICATIONS FOR INSTALLATION INSTRUCTIONS OF ROOFING SYSTEM INFORMATION.
 4. COORDINATE EXACT LOCATION OF DET OPENING W/EQUIPMENT MANUFACTURER - SEE MECHANICAL DRAWINGS. PROVIDE (2) 2X6 BLOCKING UNDER EXHAUST FAN AND RTU CURBS. PROVIDE (1) 2X6 FRAMING AT RTU DUCT OPENINGS. CONTRACTOR SHALL COORDINATE FRAME SIZE WITH EQUIPMENT DETAILS.
 5. ALL EQUIPMENT CURBS SHALL BE BUILT WITH TOP LEVEL
 6. ALL VENT PIPES TO BE FLUSH WITH THE TOP PARAPET U.N.O.
 7. DIMENSIONS FROM FACE OF STUD U.N.O.
 8. CONTRACTOR SHALL FIELD VERIFY DIMENSION FROM FINISH FLOOR TO BOTTOM OF EAVE BEFORE INSTALLATION. SEE SPECIFICATIONS FOR FINISH ON EXTERIOR ROOF ACCESS LADDER.
 9. ALL FLAT ROOF SECTIONS INCLUDE 1/4" PER FOOT TAPER INSULATION. ALL CRICKETS ARE 1/2" PER FOOT AT SCUPPERS AND DRAINS.
 10. RECOMMENDED ROOF SYSTEM: PURLIN BEARING R PANEL (SCHULTE BUILDING SYSTEMS)



THIS DRAWING, AS AN INSTRUMENT OF SERVICE, IS AND SHALL REMAIN THE PROPERTY OF THE ARCHITECT AND SHALL NOT BE REPRODUCED, COPIED, OR USED IN ANY WAY WITHOUT THE PERMISSION OF THE ARCHITECT.
Copyright © 2022 by Syntony Design Collaborative, LLC

Drawing Revisions:

1	PLAN REVIEW COMMENTS	10.07.22
---	----------------------	----------

Drawing Date: 09/20/2022
Project Number: 220001
Drawn By: AP
Checked By: GLP

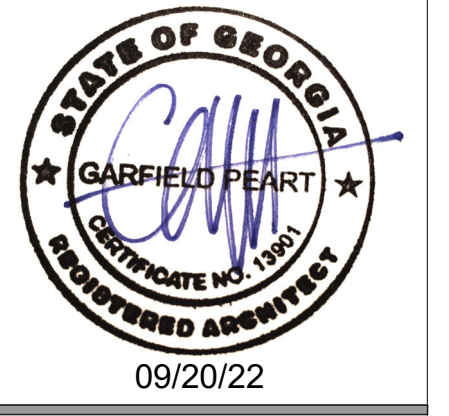
GEORGIA MOUNTAIN FOOD BANK
1642 CALVARY INDUSTRIAL DRIVE SW
GAINESVILLE, GA 30607

Drawing Description:
EXISTING AND PROPOSED ROOF PLAN

A112

CONTRACTOR: BY REVIEWING THE SPECIFICATIONS FOR CODE COMPLIANCE, THE CONTRACTOR SHALL BE RESPONSIBLE FOR THE ACCURACY OF ALL DIMENSIONS, SIZES AND MATERIALS AND SHALL BE RESPONSIBLE FOR OBTAINING ALL NECESSARY PERMITS AND APPROVALS FROM THE APPLICABLE AGENCIES. THE CONTRACTOR SHALL BE RESPONSIBLE FOR OBTAINING ALL NECESSARY PERMITS AND APPROVALS FROM THE APPLICABLE AGENCIES. THE CONTRACTOR SHALL BE RESPONSIBLE FOR OBTAINING ALL NECESSARY PERMITS AND APPROVALS FROM THE APPLICABLE AGENCIES.

PERMIT SET. RELEASED OR ISSUED FOR CONSTRUCTION.



Syntony
Design Collaborative LLC.

THIS DRAWING, AS AN INSTRUMENT OF SERVICE, IS AND SHALL REMAIN THE PROPERTY OF THE ARCHITECT AND SHALL NOT BE REPRODUCED, PUBLISHED OR USED IN ANY WAY WITHOUT THE PERMISSION OF THE ARCHITECT.
Copyright © 2022 by Syntony Design Collaborative, LLC.

Drawing Revisions:

1	PLAN REVIEW COMMENTS	10.07.22
---	----------------------	----------

Drawing Date: 09/20/2022
Project Number: 220001
Drawn By: AP
Checked By: GLP

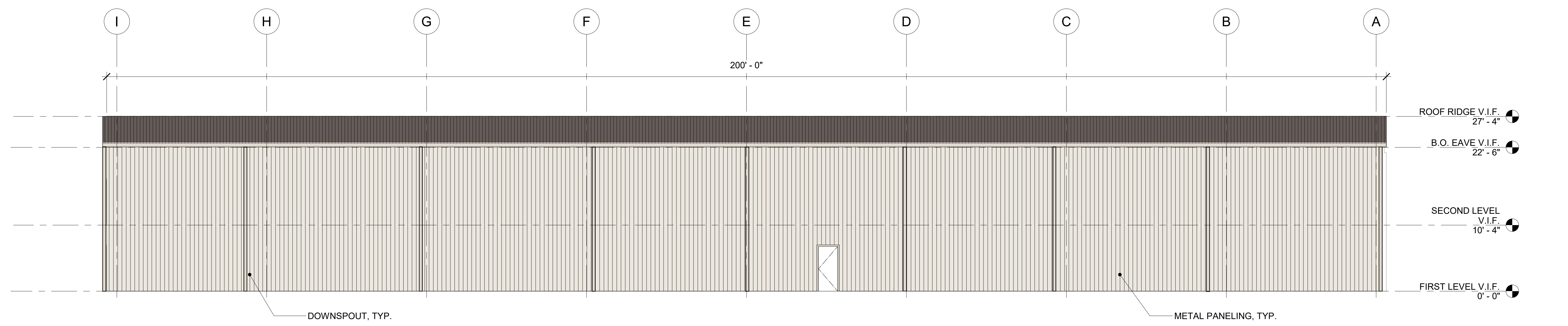
GEORGIA MOUNTAIN FOOD BANK
1642 CALVARY INDUSTRIAL DRIVE SW
GAINESVILLE, GA 30607

Drawing Description:
EXISTING ELEVATIONS

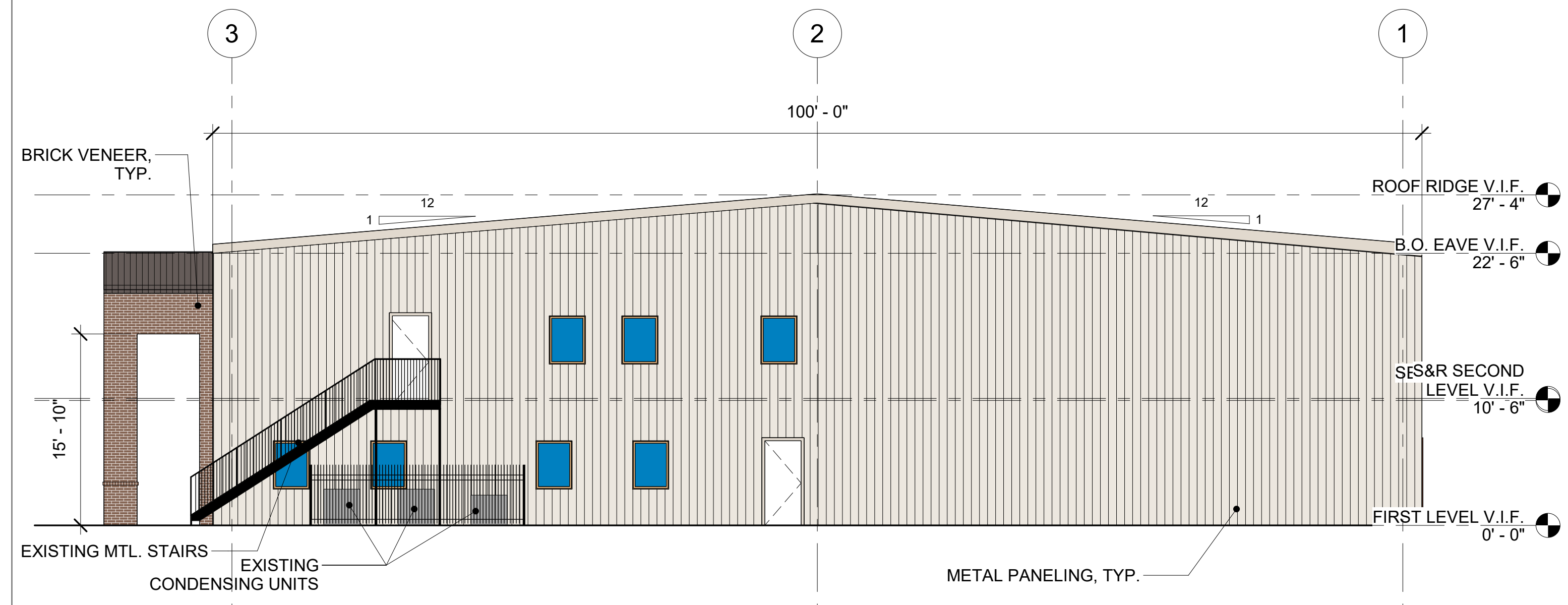
A201



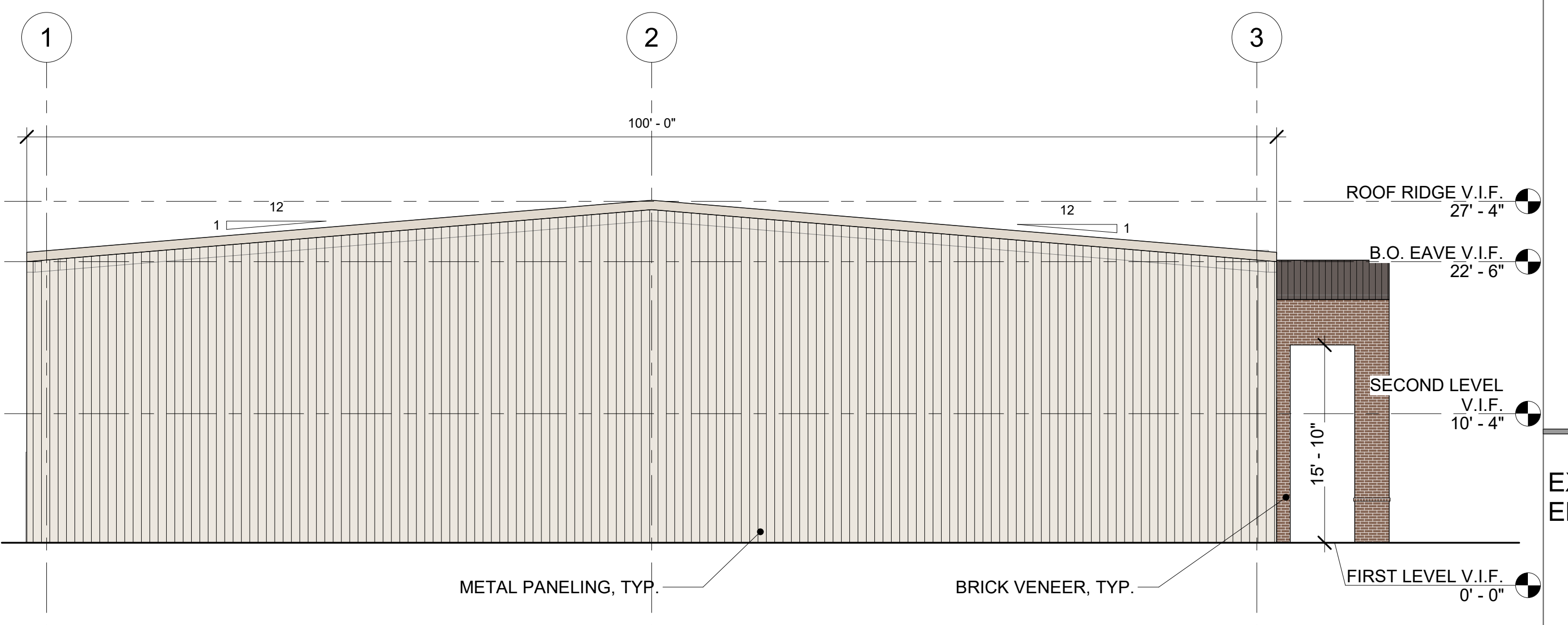
1 EXISTING EAST ELEVATION
1/8" = 1'-0"



2 EXISTING WEST ELEVATION
1/8" = 1'-0"



3 EXISTING NORTH ELEVATION
1/8" = 1'-0"



4 EXISTING SOUTH ELEVATION
1/8" = 1'-0"

09/20/22 10:00 AM
 By reviewing the drawings for Code Compliance, the user, design professional, contractor or their representatives from the responsibility to comply with all local, state and national codes and standards in effect at time of permit issuance. Our review is not a check of every item and does not prevent the department from requiring corrections during construction. Any changes/alterations to approved plans shall be approved to avoid voiding the permit.



Syntony
Design Collaborative LLC

THIS DRAWING, AS AN INSTRUMENT OF SERVICE, IS AND SHALL REMAIN THE PROPERTY OF THE ARCHITECT AND SHALL NOT BE REPRODUCED, PUBLISHED OR USED IN ANY WAY WITHOUT THE PERMISSION OF THE ARCHITECT.
Copyright © 2022 by Syntony Design Collaborative, LLC

Drawing Revisions:
1 PLAN REVIEW COMMENTS 10.07.22

Drawing Date: 09/20/2022
Project Number: 220001
Drawn By: AP
Checked By: GLP

GEORGIA MOUNTAIN FOOD BANK
1642 CALVARY INDUSTRIAL DRIVE SW
GAINESVILLE, GA 30607

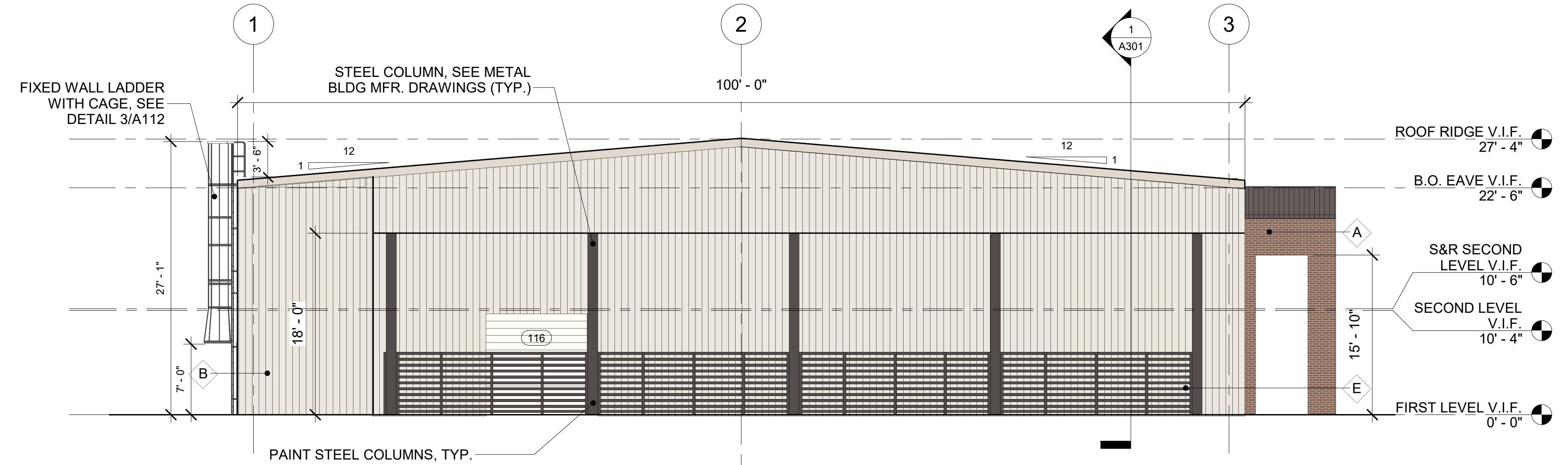
Drawing Description:
PROPOSED ELEVATIONS

A202

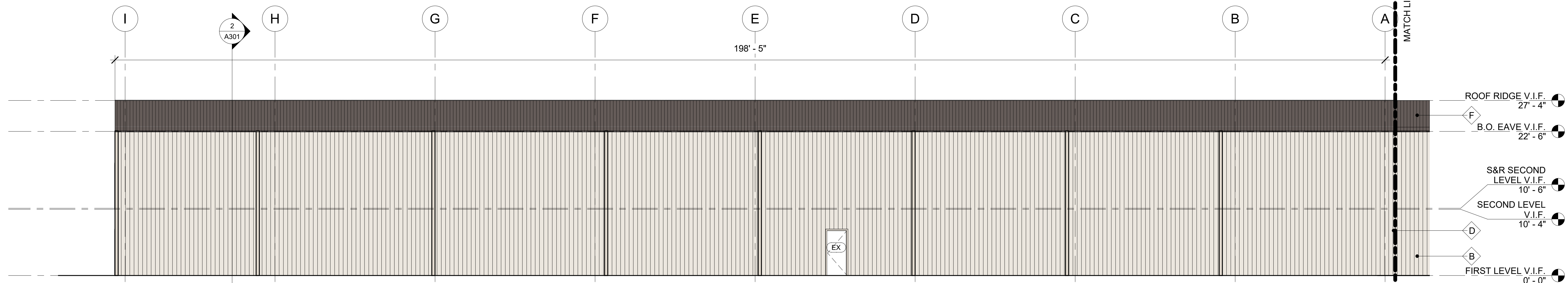
EXTERIOR FINISHES SCHEDULE

SYMBOL	MATERIAL	DESCRIPTION
A	BRICK	MFR/TYPE: CHEROKEE BRICK, SHELMAN'S BLUFF
B	METAL PANELING	26 GAUGE PV PANELS, COLOR TO MATCH EXISTING
C	WOODEN GATES	
D	SEAMLESS GUTTER AND DOWNSPOUT	6" SEAMLESS GUTTER & DOWNSPOUT SYSTEM, COLOR TO MATCH EXISTING
E	METAL FENCE	
F	ROOF METAL PANELING	26 GAUGE PV PANELS, COLOR TO MATCH EXISTING

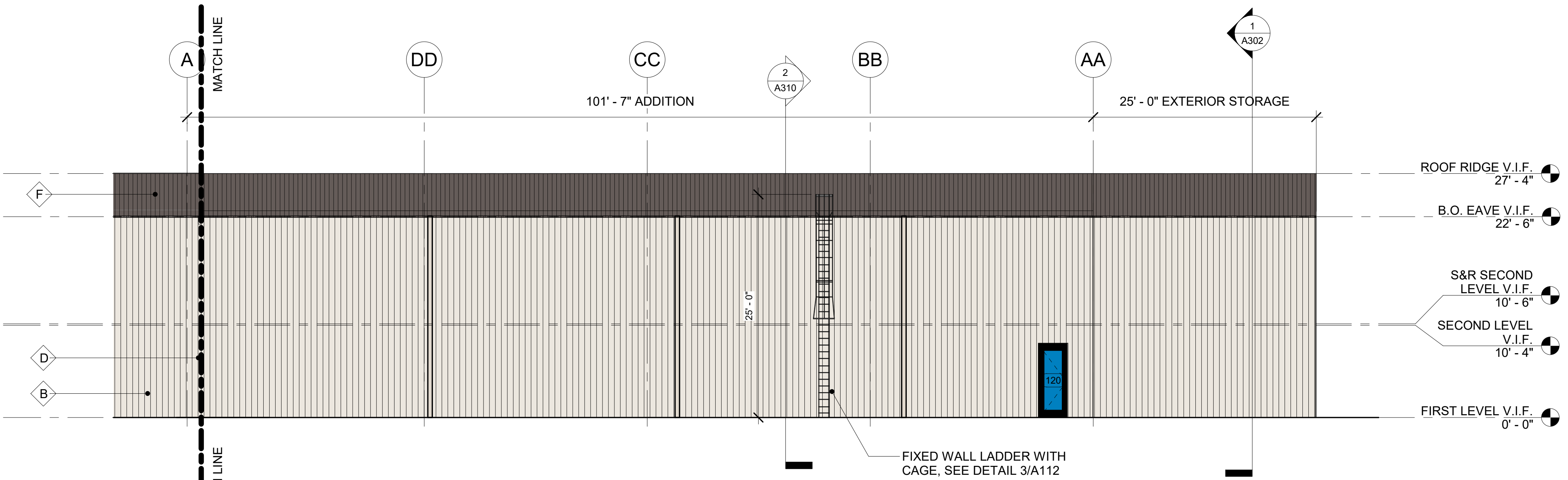
- NOTES:**
1. PREPARE ALL SURFACES TO BE PAINTED AS PER MANUFACTURERS RECOMMENDATIONS
 2. TEST, S.W. COLORS TO COLORS ON SITE - ADJUST SW COLORS AS REQ'D TO MATCH
 3. ALL COLORS AND FINISHES SHALL BE PRESENTED TO OWNER FOR APPROVAL PRIOR TO INSTALLATION
 4. BUILDING DOOR NUMBER SIGNAGE TO MATCH EXISTING.



1 PROPOSED SOUTH ELEVATION
1/8" = 1'-0"



2 PROPOSED WEST ELEVATION - SECTION B
1/8" = 1'-0"



3 PROPOSED WEST ELEVATION - SECTION A
1/8" = 1'-0"

PERMIT SET. RELEASED OR ISSUED FOR CONSTRUCTION.

09/20/2022 10:07:22 AM
 By reviewing the drawings for Code Compliance, the user design professional, contractors or their representatives from the responsibility to comply with all local, state and national codes and standards in effect at time of permit issuance. Our review is not a check of every item and does not prevent the department from requiring corrections during construction. Any corrections to approved plans shall be approved to avoid voiding the permit.

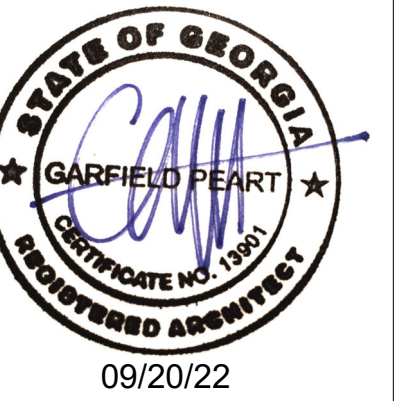
PERMIT SET. RELEASED OR ISSUED FOR CONSTRUCTION.

EXTERIOR FINISHES SCHEDULE

SYMBOL	MATERIAL	DESCRIPTION
◇ A	BRICK	MFR/TYPE: CHEROKEE BRICK, SHELMAN'S BLUFF
◇ B	METAL PANELING	26 GAUGE PV PANELS, COLOR TO MATCH EXISTING
◇ C	WOODEN GATES	
◇ D	SEAMLESS GUTTER AND DOWNSPOUT	6" SEAMLESS GUTTER & DOWNSPOUT SYSTEM, COLOR TO MATCH EXISTING
◇ E	METAL FENCE	
◇ F	ROOF METAL PANELING	26 GAUGE PV PANELS, COLOR TO MATCH EXISTING

NOTES:

1. PREPARE ALL SURFACES TO BE PAINTED AS PER MANUFACTURERS RECOMMENDATIONS
2. TEST S.W. COLORS TO COLORS ON SITE - ADJUST SW COLORS AS REQ'D TO MATCH
3. ALL COLORS AND FINISHES SHALL BE PRESENTED TO OWNER FOR APPROVAL PRIOR TO INSTALLATION
4. BUILDING DOOR NUMBER SIGNAGE TO MATCH EXISTING.



Syntony
Design Collaborative LLC

THIS DRAWING, AS AN INSTRUMENT OF SERVICE, IS AND SHALL REMAIN THE PROPERTY OF THE ARCHITECT AND SHALL NOT BE REPRODUCED, PUBLISHED OR USED IN ANY WAY WITHOUT THE PERMISSION OF THE ARCHITECT.
Copyright © 2022 by Syntony Design Collaborative, LLC

Drawing Revisions:

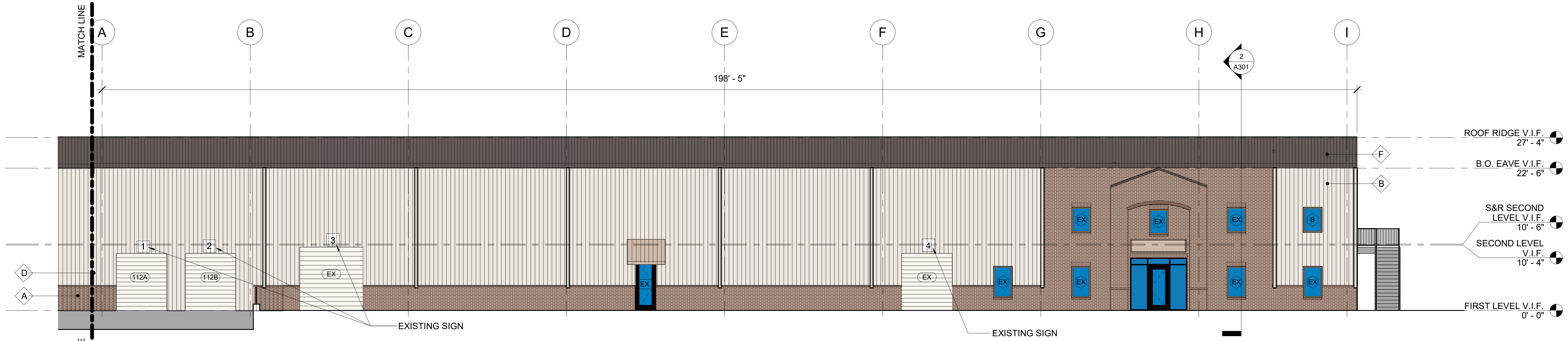
1. PLAN REVIEW COMMENTS 10.07.22

Drawing Date: 09/20/2022
Project Number: 220001
Drawn By: AP
Checked By: GLP

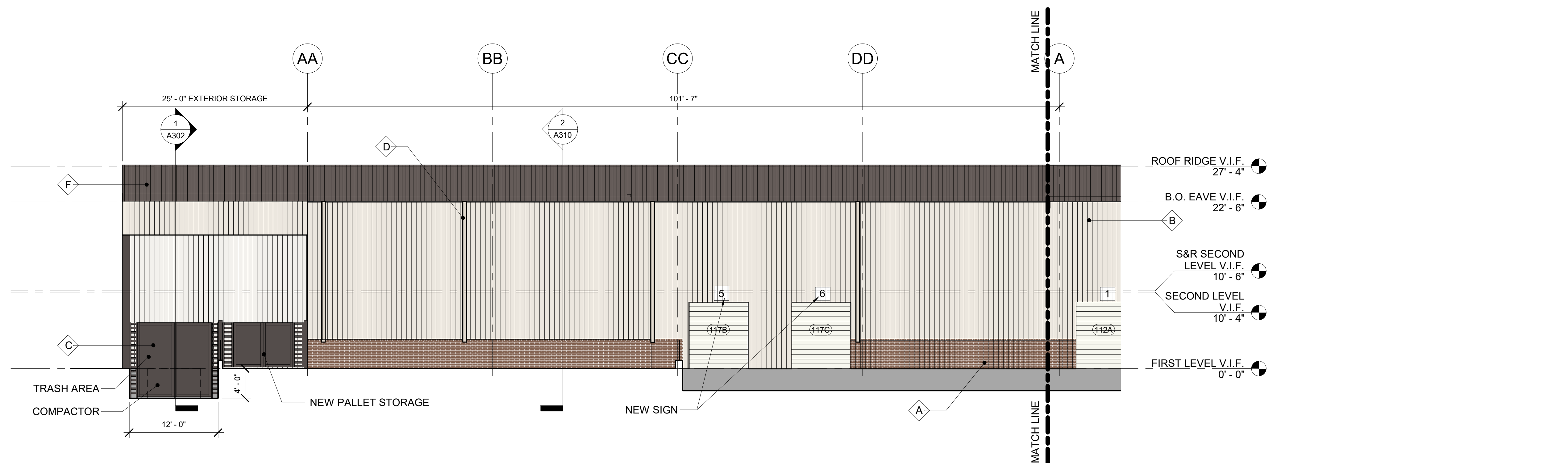
GEORGIA MOUNTAIN FOOD BANK
1642 CALVARY INDUSTRIAL DRIVE SW
GAINESVILLE, GA 30507

Drawing Description:
PROPOSED ELEVATIONS

A203



1 PROPOSED EAST ELEVATION - SECTION B
1/8" = 1'-0"



2 PROPOSED EAST ELEVATION - SECTION A
1/8" = 1'-0"

GEORGIA MOUNTAIN FOOD BANK
 1642 CALVARY INDUSTRIAL DRIVE SW
 GAINESVILLE, GA 30507
 09/20/22 10:07 AM
 By reviewing the drawings for Code Compliance, the user, design professional, contractor or their representative from the responsibility to comply with all local, state and national codes and standards in effect at time of permit issuance. Our review is not a check of every item and does not prevent the department from requiring corrections during construction. Any changes/alterations to approved plans shall be approved to avoid voiding the permit.

PERMIT SET. RELEASED OR ISSUED FOR CONSTRUCTION.



Syntony
Design Collaborative LLC

THIS DRAWING, AS AN INSTRUMENT OF SERVICE, IS AND SHALL REMAIN THE PROPERTY OF THE ARCHITECT AND SHALL NOT BE REPRODUCED, PUBLISHED OR USED IN ANY WAY WITHOUT THE PERMISSION OF THE ARCHITECT.
Copyright © 2022 by Syntony Design Collaborative, LLC

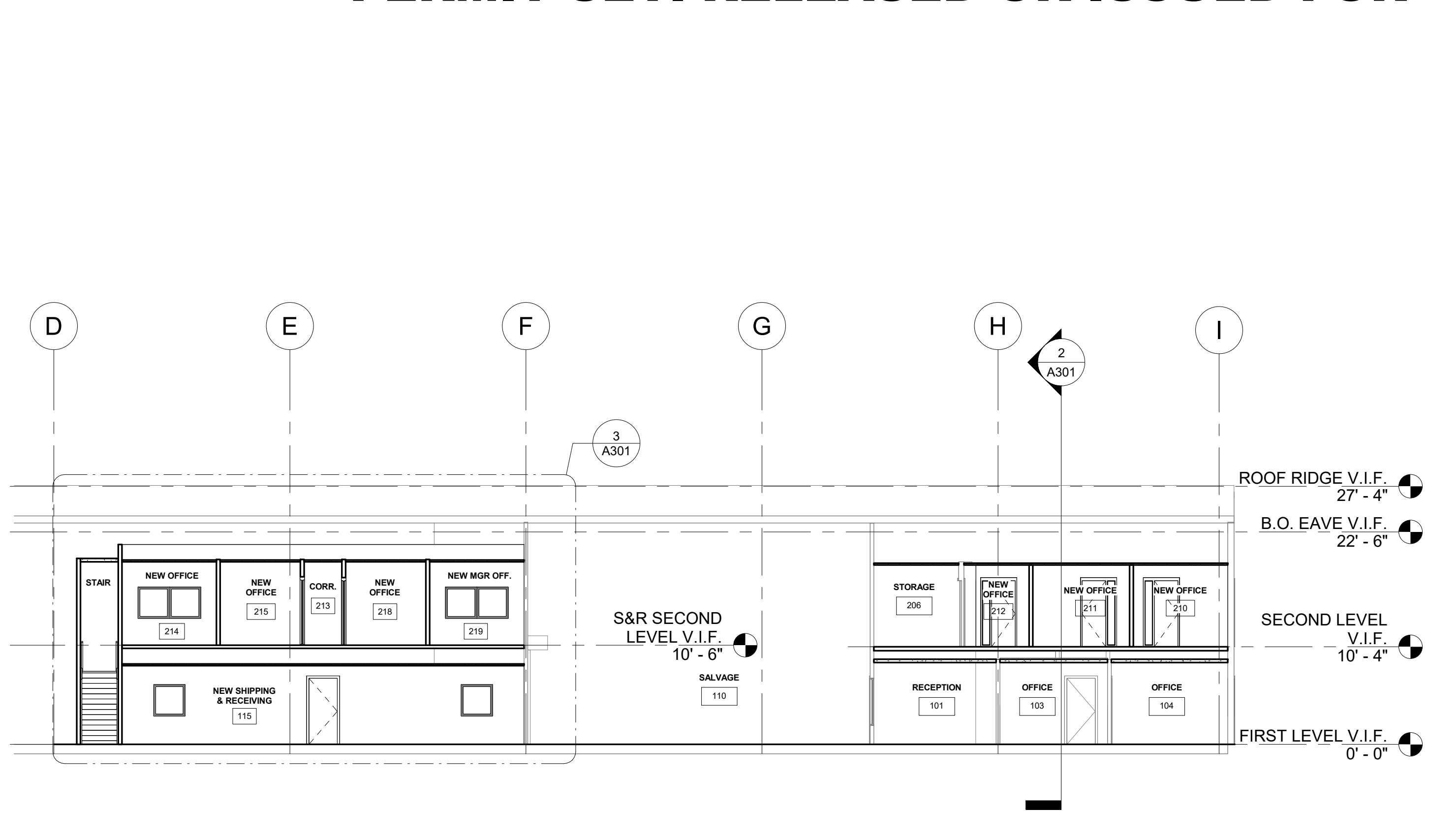
Drawing Revisions:
1 PLAN REVIEW COMMENTS 10.07.22

Drawing Date: 09/20/2022
Project Number: 220001
Drawn By: AP
Checked By: GLP

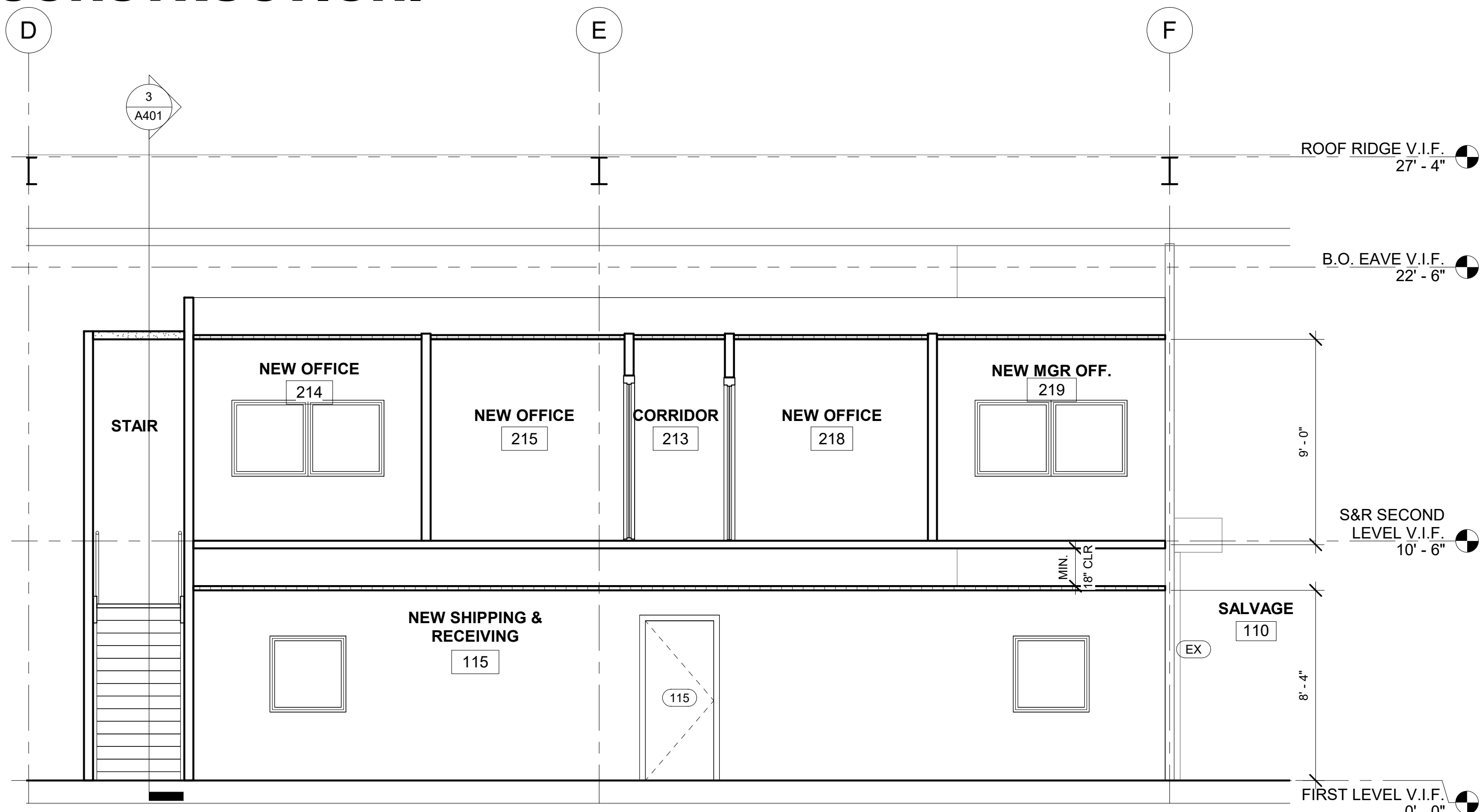
GEORGIA MOUNTAIN FOOD BANK
1642 CALVARY INDUSTRIAL DRIVE SW
GAINESVILLE, GA 30607

Drawing Description:
PROPOSED BUILDING SECTIONS

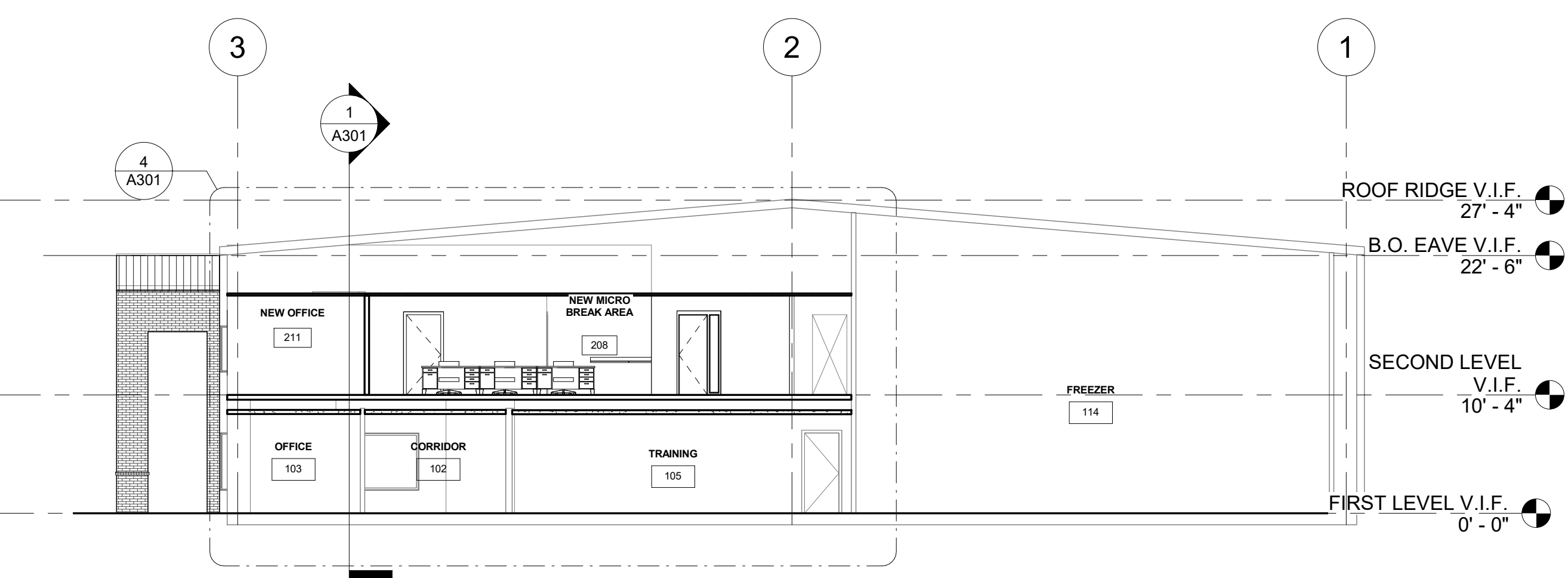
A301



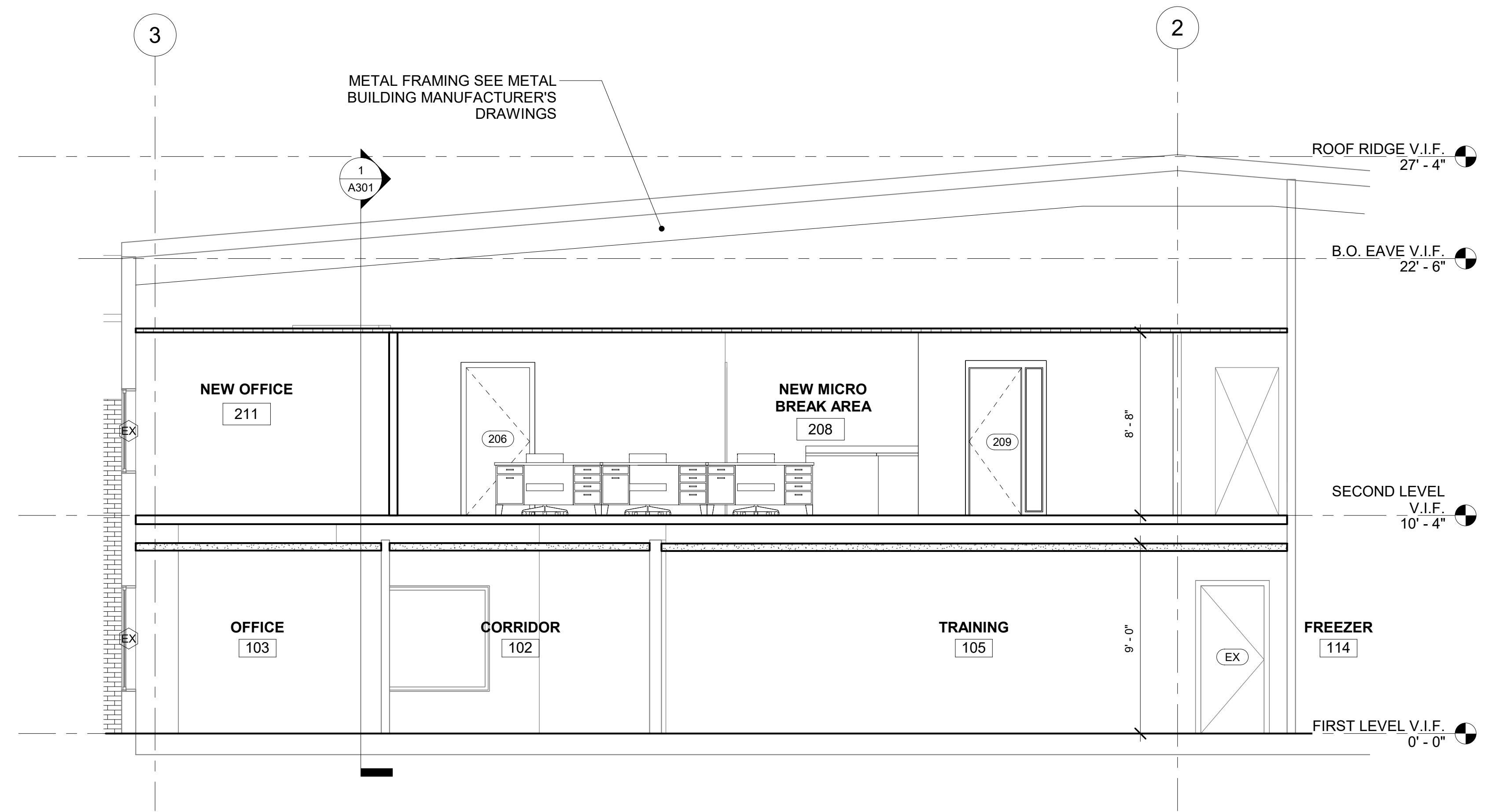
1 PROPOSED BUILDING SECTION 1
1" = 10'-0"



3 ENLARGED SECTION - SHIPPING AND RECEIVING
1/4" = 1'-0"



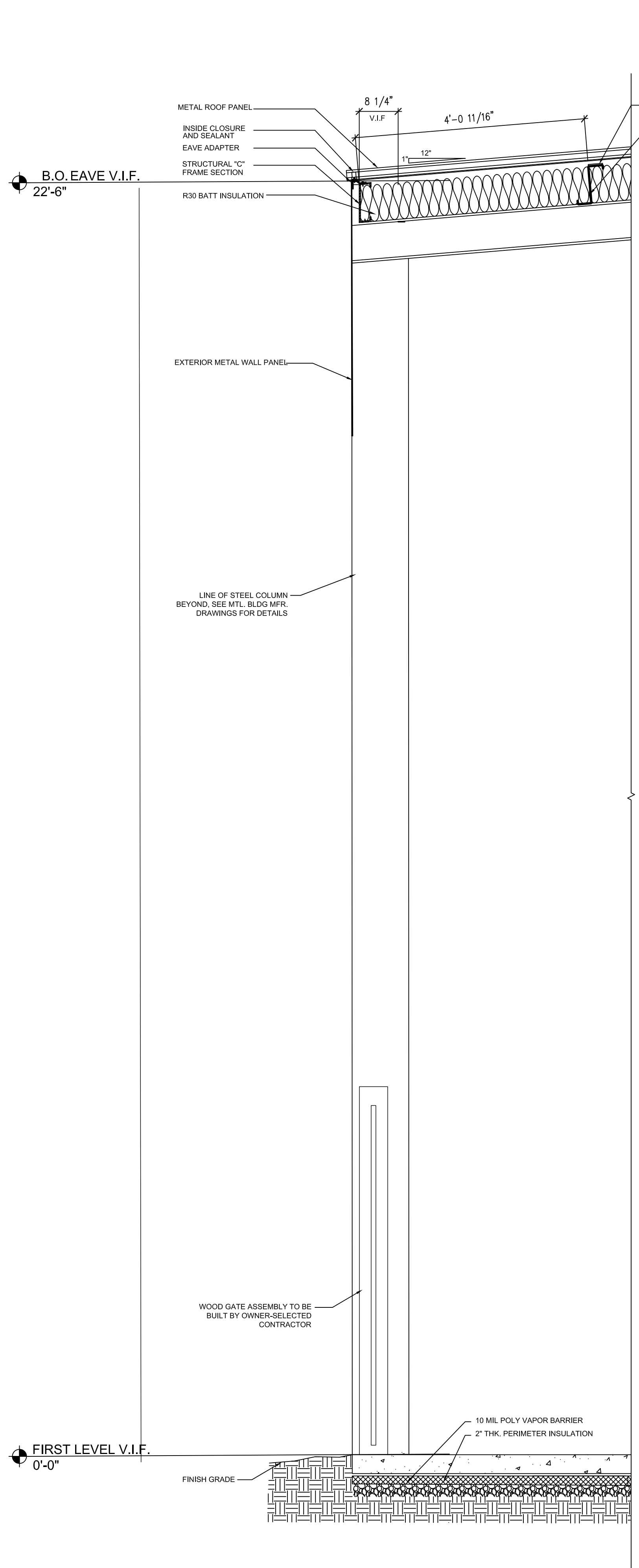
2 PROPOSED BUILDING SECTION 2
1" = 10'-0"



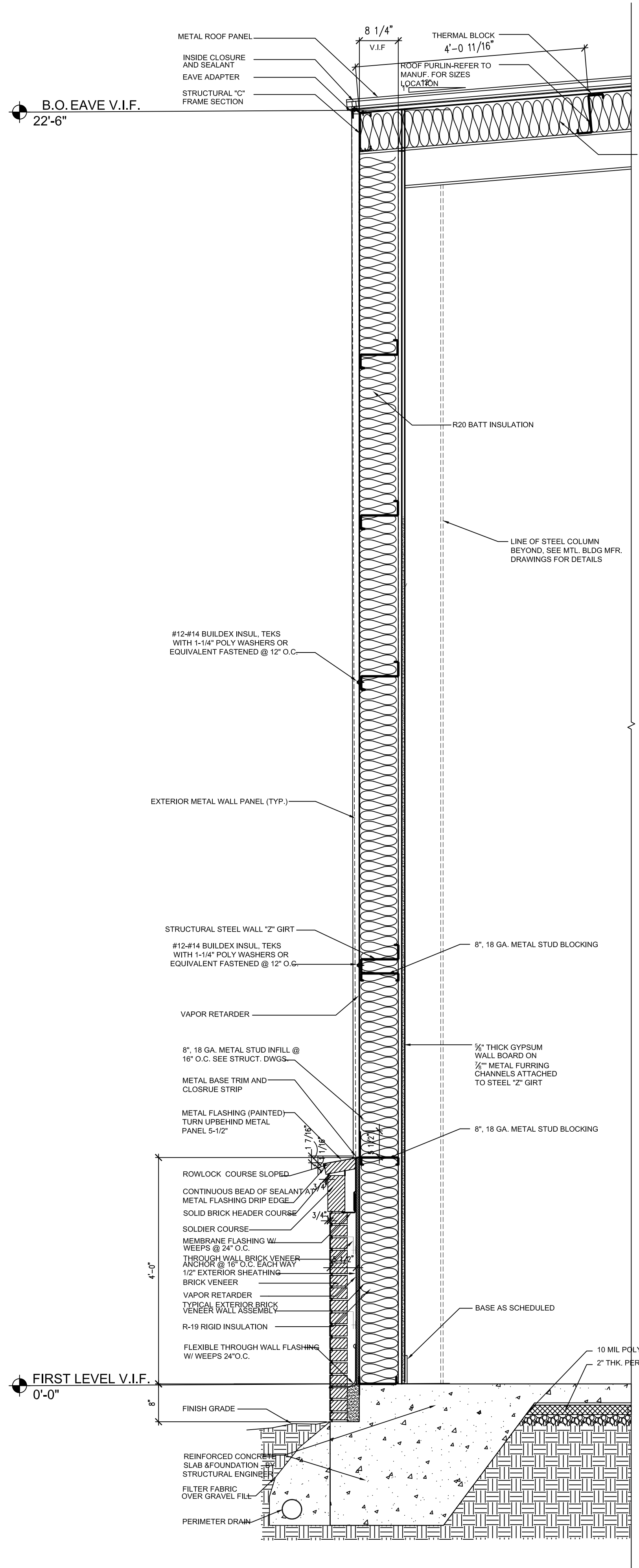
4 ENLARGED SECTION - ADMIN
1/4" = 1'-0"

CONTRACTOR: BY REVIEWING THE SPECIFICATIONS FOR CODE COMPLIANCE, THE ARCHITECT ASSUMES NO RESPONSIBILITY FOR THE ACCURACY OF THE INFORMATION PROVIDED IN THIS DRAWING. THE ARCHITECT'S RESPONSIBILITY IS LIMITED TO THE DESIGN AND CONSTRUCTION OF THE BUILDING AS SHOWN ON THESE PLANS. ANY CHANGES TO THE PLANS MUST BE APPROVED BY THE ARCHITECT. THE ARCHITECT DOES NOT WARRANT THE ACCURACY OF THE INFORMATION PROVIDED IN THIS DRAWING. THE ARCHITECT'S RESPONSIBILITY IS LIMITED TO THE DESIGN AND CONSTRUCTION OF THE BUILDING AS SHOWN ON THESE PLANS. ANY CHANGES TO THE PLANS MUST BE APPROVED BY THE ARCHITECT. THE ARCHITECT DOES NOT WARRANT THE ACCURACY OF THE INFORMATION PROVIDED IN THIS DRAWING.

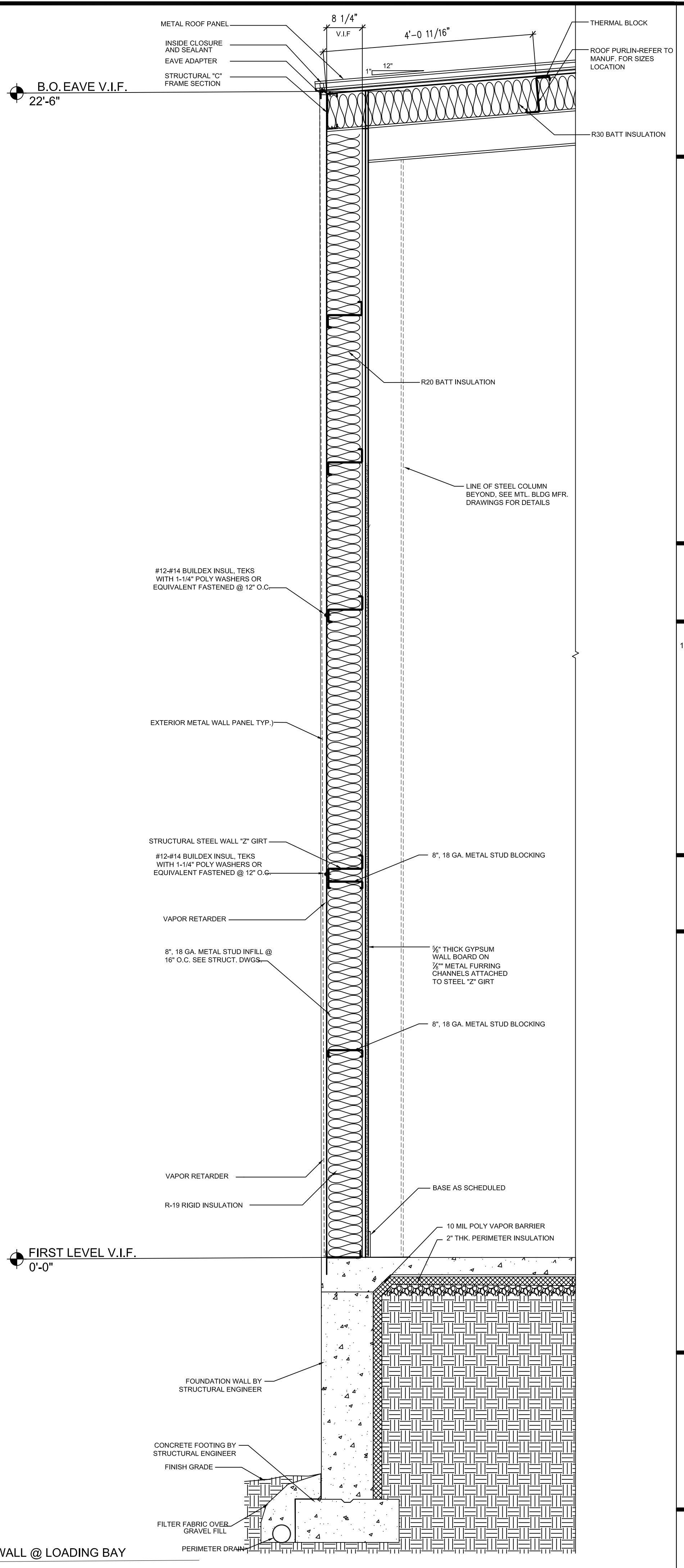
PERMIT SET. RELEASED OR ISSUED FOR CONSTRUCTION.



1 SECTION DETAIL @ EXTERIOR STORAGE
A310 3/4" = 1'-0"



2 EXTERIOR WALL @ BRICK ON GRADE
A310 3/4" = 1'-0"



3 EXTERIOR WALL @ LOADING BAY
A310 3/4" = 1'-0"



THIS DRAWING, AS AN INSTRUMENT OF SERVICE, IS AND SHALL REMAIN THE PROPERTY OF THE ARCHITECT AND SHALL NOT BE REPRODUCED, PUBLISHED OR USED IN ANY WAY WITHOUT THE PERMISSION OF THE ARCHITECT.

Copyright © 2022 by Syntony Design Collaborative, LLC

Drawing Revisions:	
1	PLAN REVIEW COMMENTS 10.07.22

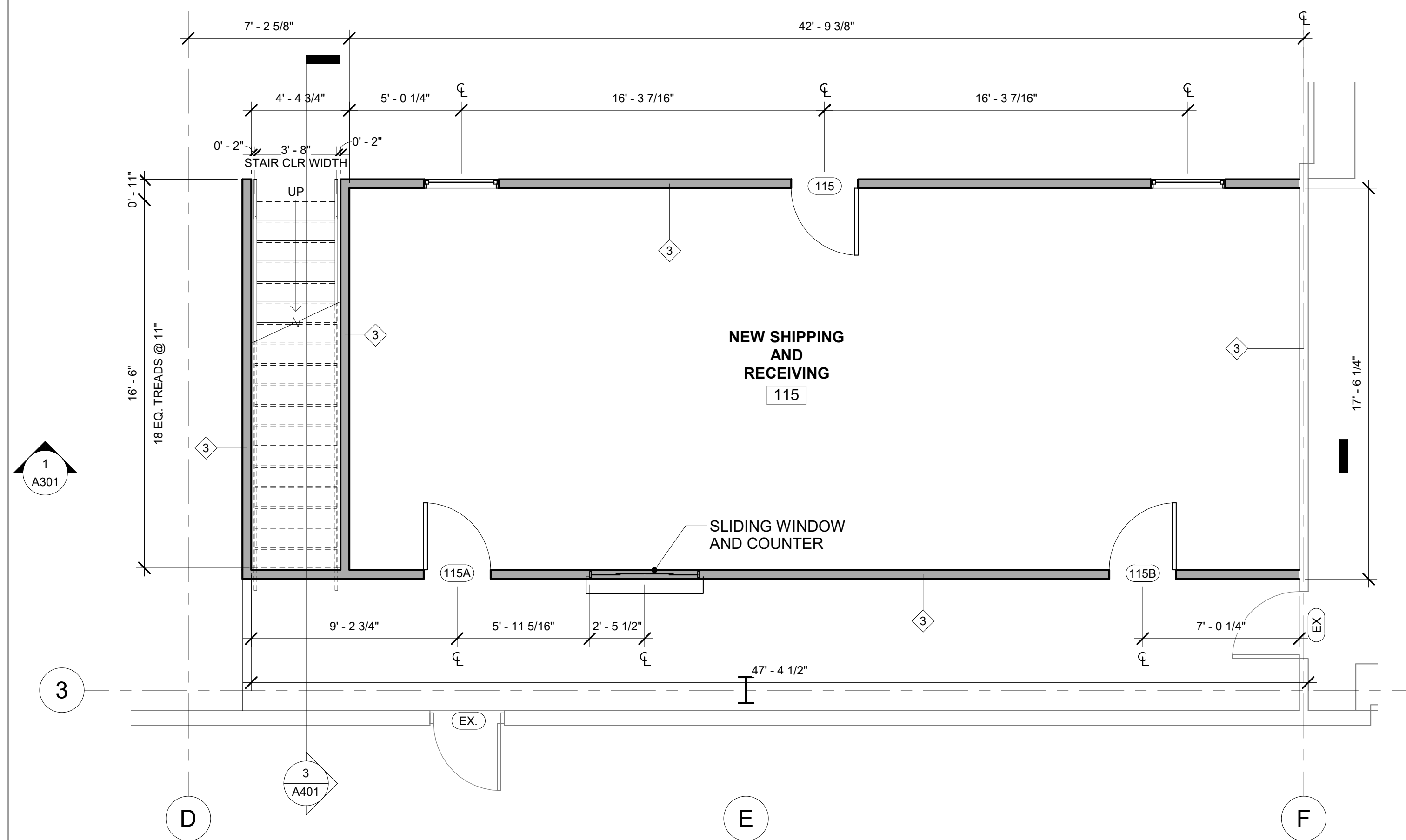
Drawing Date: 09/20/2022
Project Number: 220001
Drawn By: CR
Checked By: GLP

GEORGIA MOUNTAIN FOOD BANK
1642 CALAWARY INDUSTRIAL DRIVE SW
GAINESVILLE, GA 30607

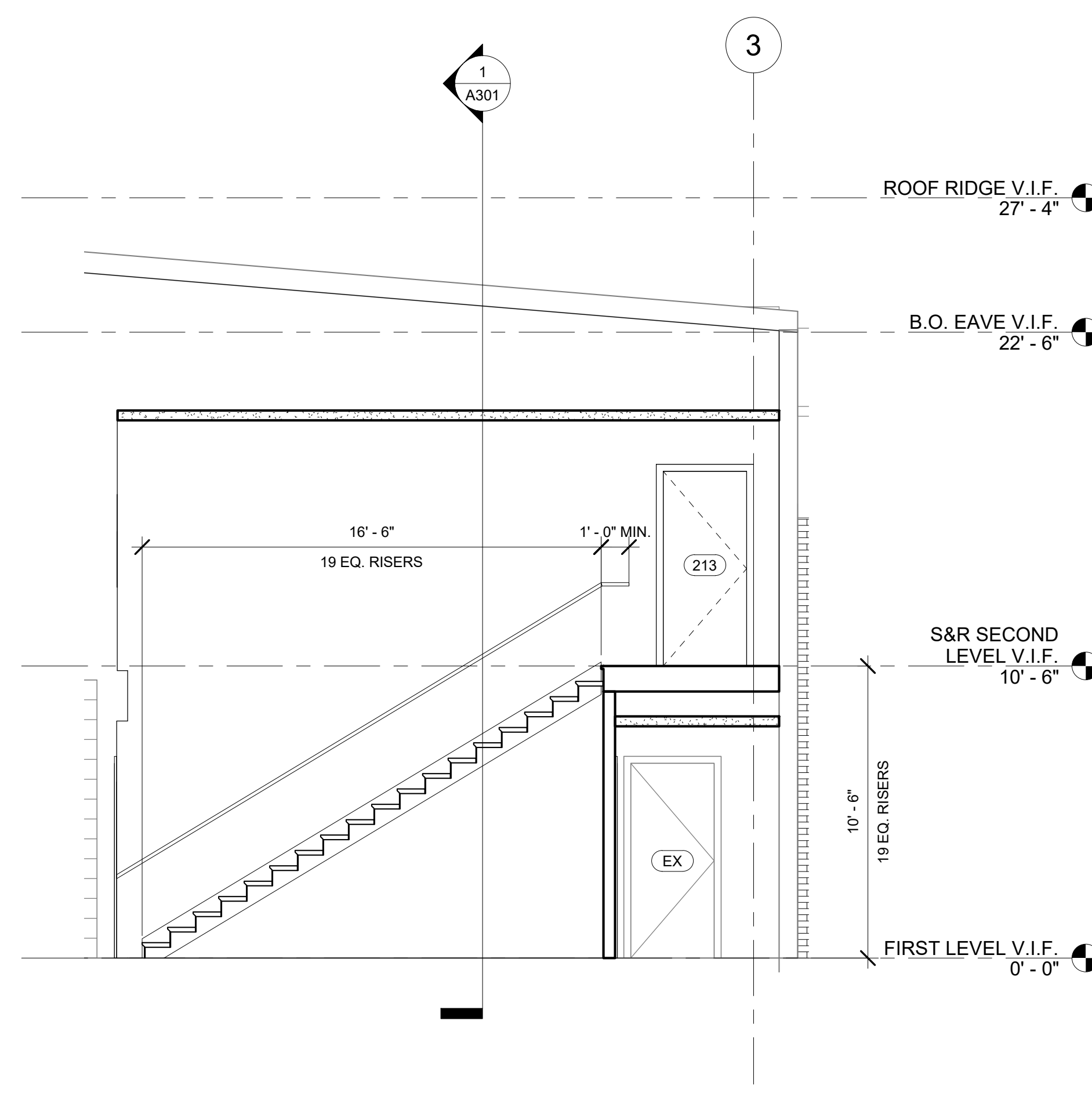
Drawing Description:
WALL SECTIONS

A310

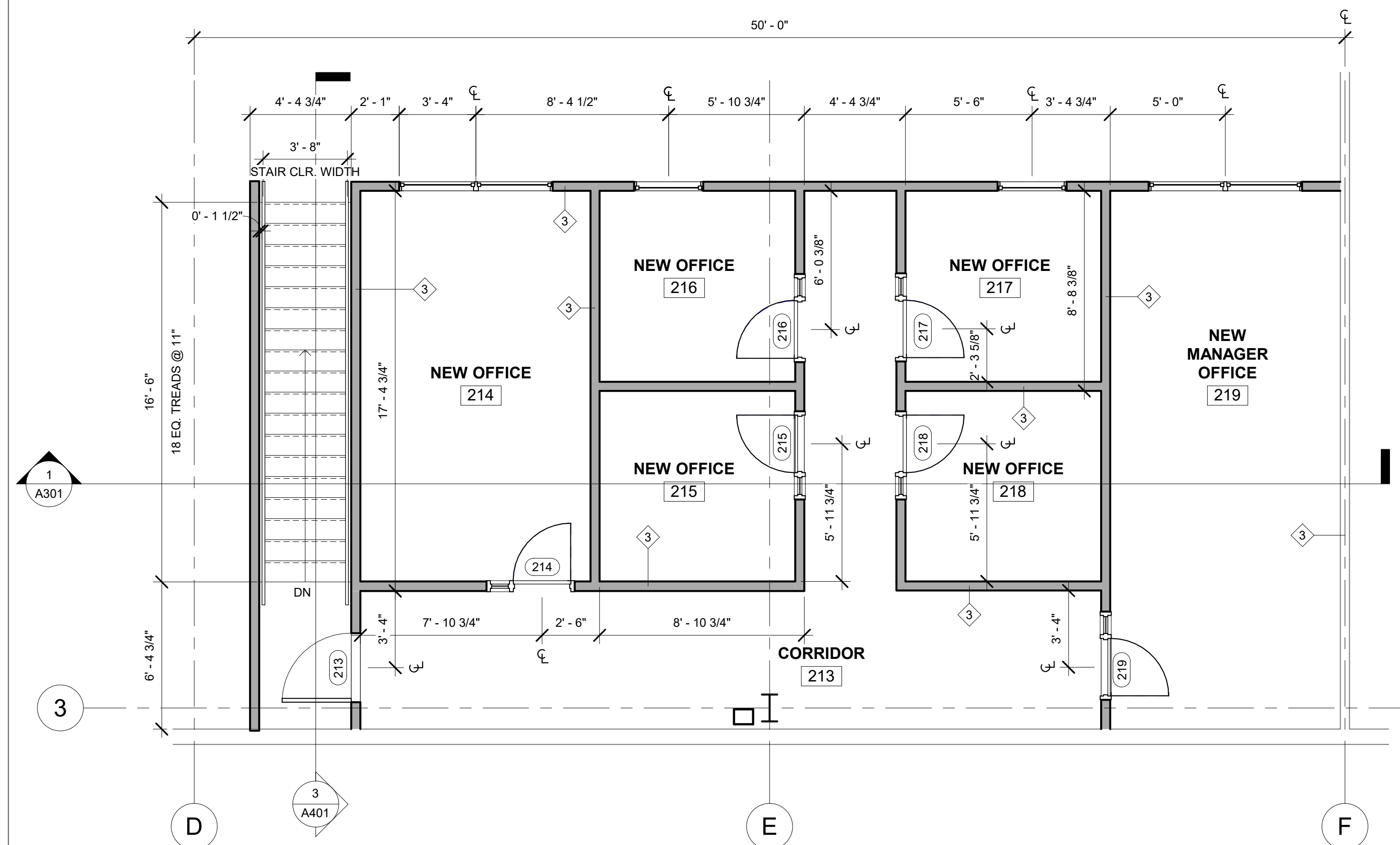
09/20/2022 10:07:22 AM By: CR Checked: GLP
 By receiving the plans, the user agrees to release the user's design professional, contractors or their representatives from the responsibility to comply with all local, state and national codes and standards in effect at time of permit issuance. Our review is not a check of every item and does not prevent the department from requiring corrections during construction. Any changes/substitutions to approved plans shall be approved to avoid voiding the permit.



1
ENLARGED FIRST LEVEL PLAN - SHIPPING AND RECEIVING
1/4" = 1'-0"



3
STAIR SECTION - SHIPPING AND RECEIVING
1/4" = 1'-0"



2
ENLARGED SECOND LEVEL PLAN - SHIPPING AND RECEIVING
1/4" = 1'-0"

PERMIT SET. RELEASED OR ISSUED FOR CONSTRUCTION.

KEY PLAN



SHEET NOTES

- ALL DIMENSIONS TO BE VERIFIED IN THE FIELD BY THE G.C. PRIOR TO ANY INSTALLATION OF NEW WORK
- ALL EXPOSED GYPSUM BOARD IN LEASE AREA SHALL BE SEALED AND PRIMED ONLY
- GENERAL CONTRACTOR SHALL BE REQUIRED TO VISIT PREMISE TO INSPECT EXISTING CONDITIONS AND VERIFY WORK TO BE PERFORMED.
- ALL WORK PERFORMED SHALL BE IN STRICT COMPLIANCE WITH GOVERNING FEDERAL, STATE AND LOCAL BUILDING CODES REQUIREMENTS.
- FIRE SEAL ALL PENETRATIONS THRU RATED WALLS, FLOORS, AND CEILINGS WITH APPROVED FIRE RATED CAULK AS DIRECTED BY LOCAL JURISDICTIONS.
- THE CONTRACTOR SHALL BE RESPONSIBLE FOR THE REMOVAL OF TRASH AND DEBRIS FROM THE JOB SITE ON A DAILY BASIS.
- REFER TO MECHANICAL, ELECTRICAL AND PLUMBING DRAWINGS FOR EQUIPMENT AND RELATED DETAILS.
- REFER TO STRUCTURAL DRAWINGS FOR FOUNDATION DETAILS.
- SEE STRUCTURAL DRAWINGS FOR ALL SLAB ON GRADE DETAILS AND SPECIFICATIONS
- FOR LOCATION OF MOP SINKS AND FLOOR DRAINS SEE PLUMBING DRAWINGS.
- ALL FRAMING DIMENSIONS ARE ROUGH FRAMING, AND DO NOT INCLUDE ANY FINISH MATERIALS UNLESS OTHERWISE NOTED.
- ALL WALLS SHALL BE OF 6" OR 4" METAL STUDS UNLESS OTHERWISE NOTED.
- APPLY BORIC ACID ON TOP OF THE MUD SILL OR BOTTOM PLATE, PRIOR TO CLOSING ALL WALLS.
- PROVIDE BLOCKING FOR RESTROOM ACCESSORIES, DOOR STOPS, EXP. JOINTS, CABINETS, ETC.
- INSTALL OCCUPANT LOAD SIGN PER LOCAL FIRE MARSHALL. COORDINATE LOCATION WITH OWNER/FIRE MARSHALL.
- PROVIDE MASTIC OR APPROVED SEALANT UNDER ALL EXT. PLATES
- SEE DRAWING A601 FOR DOOR TYPES, SCHEDULE INTERIOR FINISH PLAN AND HARDWARE SCHEDULE.

WALL TYPES

- EXTERIOR - BRICK VENEER TO 4' A.F.F. / 26 GAUGE PBR MTL. PANELS STARTING AT 4' A.F.F ON EXTERIOR SHEATHING ON WALL GIRTS W/ R-20 BATT INSULATION AND WATERPROOF COVER
- EXTERIOR - 26 GAUGE PBR MTL. PANELS ON EXTERIOR SHEATHING ON WALL GIRTS W/ R-20 BATT INSULATION AND WATERPROOF COVER
- INTERIOR - 3 5/8" MTL. STUD AT 16" O.C. ON 1 LAYER 1/2" GWB (BOTH SIDES) W/ SOUND ATTENUATION INSULATION



Syntony
Design Collaborative LLC

THIS DRAWING, AS AN INSTRUMENT OF SERVICE, IS AND SHALL REMAIN THE PROPERTY OF THE ARCHITECT AND SHALL NOT BE REPRODUCED, PUBLISHED OR USED IN ANY WAY WITHOUT THE PERMISSION OF THE ARCHITECT.
Copyright © 2022 by Syntony Design Collaborative, LLC

Drawing Revisions:
1 PLAN REVIEW COMMENTS 10.07.22

Drawing Date: 09/20/2022
Project Number: 220001
Drawn By: AP
Checked By: GLP

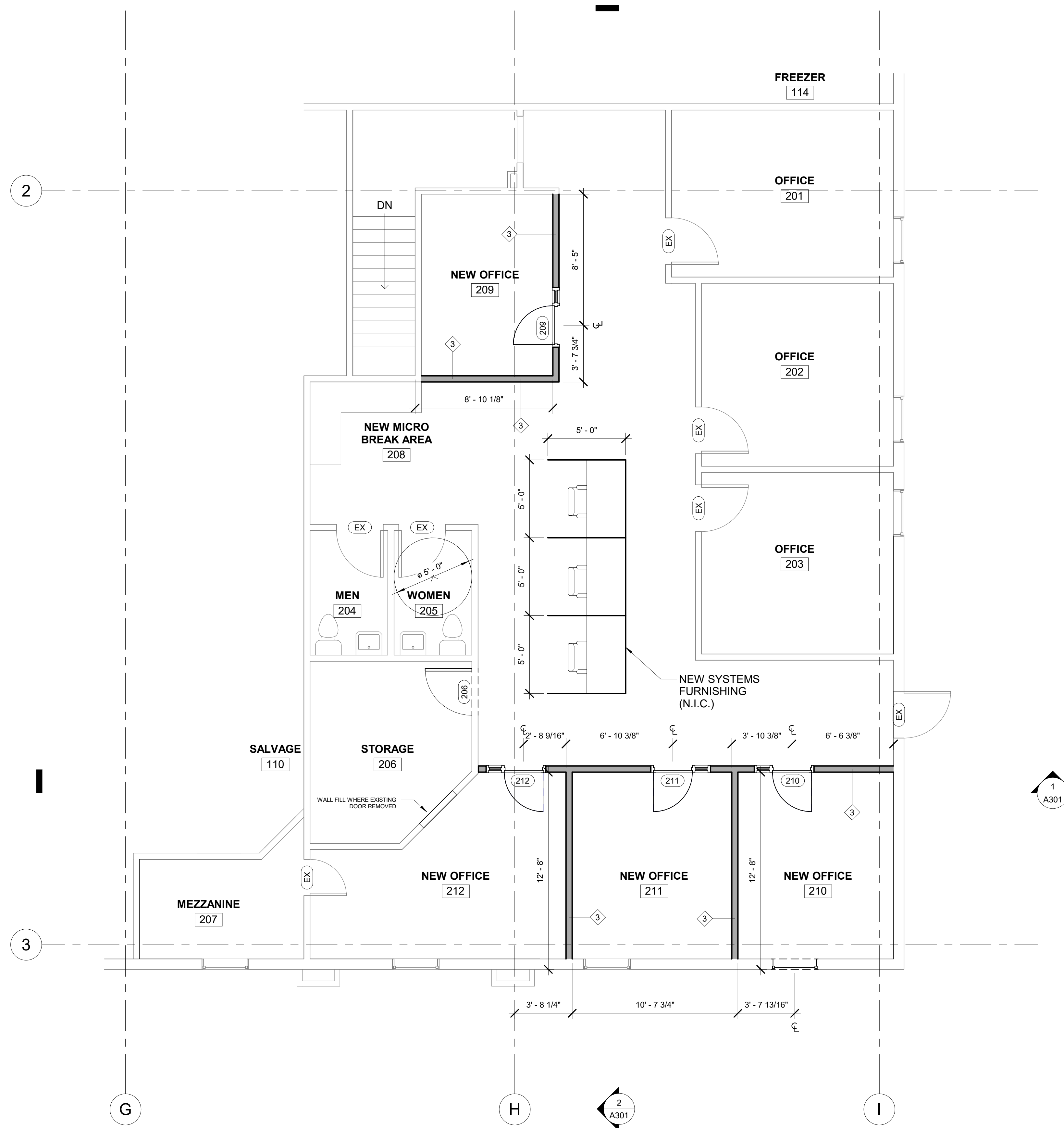
GEORGIA MOUNTAIN FOOD BANK
1642 CALVARY INDUSTRIAL DRIVE SW
GAINESVILLE, GA 30607

Drawing Description:
ENLARGED PLANS

A401

09/20/22 10:07:22 AM
 220001
 AP
 GLP
 GEORGIA MOUNTAIN FOOD BANK
 1642 CALVARY INDUSTRIAL DRIVE SW
 GAINESVILLE, GA 30607
 09/20/22 10:07:22 AM
 220001
 AP
 GLP

PERMIT SET. RELEASED OR ISSUED FOR CONSTRUCTION.



1 ENLARGED SECOND LEVEL PLAN - ADMIN OFFICES
1/4" = 1'-0"

KEY PLAN



SHEET NOTES

- ALL DIMENSIONS TO BE VERIFIED IN THE FIELD BY THE G.C. PRIOR TO ANY INSTALLATION OF NEW WORK
- ALL EXPOSED GYPSUM BOARD IN LEASE AREA SHALL BE SEALED AND PRIMED ONLY
- GENERAL CONTRACTOR SHALL BE REQUIRED TO VISIT PREMISE TO INSPECT EXISTING CONDITIONS AND VERIFY WORK TO BE PERFORMED.
- ALL WORK PERFORMED SHALL BE IN STRICT COMPLIANCE WITH GOVERNING FEDERAL, STATE AND LOCAL BUILDING CODES REQUIREMENTS.
- FIRE SEAL ALL PENETRATIONS THRU RATED WALLS, FLOORS, AND CEILINGS WITH APPROVED FIRE RATED CAULK AS DIRECTED BY LOCAL JURISDICTIONS.
- THE CONTRACTOR SHALL BE RESPONSIBLE FOR THE REMOVAL OF TRASH AND DEBRIS FROM THE JOB SITE ON A DAILY BASIS.
- REFER TO MECHANICAL, ELECTRICAL AND PLUMBING DRAWINGS FOR EQUIPMENT AND RELATED DETAILS.
- REFER TO STRUCTURAL DRAWINGS FOR FOUNDATION DETAILS.
- SEE STRUCTURAL DRAWINGS FOR ALL SLAB ON GRADE DETAILS AND SPECIFICATIONS
- FOR LOCATION OF MOP SINKS AND FLOOR DRAINS SEE PLUMBING DRAWINGS.
- ALL FRAMING DIMENSIONS ARE ROUGH FRAMING, AND DO NOT INCLUDE ANY FINISH MATERIALS UNLESS OTHERWISE NOTED.
- ALL WALLS SHALL BE OF 6" OR 4" METAL STUDS UNLESS OTHERWISE NOTED.
- APPLY BORIC ACID ON TOP OF THE MUD SILL OR BOTTOM PLATE, PRIOR TO CLOSING ALL WALLS. PROVIDE BLOCKING FOR RESTROOM ACCESSORIES, DOOR STOPS, EXP. JOINTS, CABINETS, ETC.
- INSTALL OCCUPANT LOAD SIGN PER LOCAL FIRE MARSHALL. COORDINATE LOCATION WITH OWNER/FIRE MARSHALL.
- PROVIDE MASTIC OR APPROVED SEALANT UNDER ALL EXT. PLATES
- SEE DRAWING A601 FOR DOOR TYPES, SCHEDULE INTERIOR FINISH PLAN AND HARDWARE SCHEDULE.
- SYSTEMS FURNISHING TO BE SELECTED BY OWNER UNDER SEPARATE CONTRACT.



Syntony
Design Collaborative LLC

THIS DRAWING, AS AN INSTRUMENT OF SERVICE, IS AND SHALL REMAIN THE PROPERTY OF THE ARCHITECT AND SHALL NOT BE REPRODUCED, PUBLISHED OR USED IN ANY WAY WITHOUT THE PERMISSION OF THE ARCHITECT.
Copyright © 2022 by Syntony Design Collaborative, LLC

Drawing Revisions:
1 PLAN REVIEW COMMENTS 10.07.22

Drawing Date: 09/20/2022
Project Number: 220001
Drawn By: AP
Checked By: GLP

WALL TYPES

- EXTERIOR - BRICK VENEER TO 4' A.F.F. / 26 GAUGE PBR MTL. PANELS STARTING AT 4' A.F.F. ON EXTERIOR SHEATHING ON WALL GIRTS W/ R-20 BATT INSULATION AND WATERPROOF COVER
- EXTERIOR - 26 GAUGE PBR MTL. PANELS ON EXTERIOR SHEATHING ON WALL GIRTS W/ R-20 BATT INSULATION AND WATERPROOF COVER
- INTERIOR - 3 5/8" MTL. STUD AT 16" O.C. ON 1 LAYER 1/2" GWB (BOTH SIDES) W/ SOUND ATTENUATION INSULATION

GEORGIA MOUNTAIN FOOD BANK
1642 CALVARY INDUSTRIAL DRIVE SW
GAINESVILLE, GA 30507

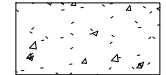
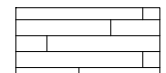
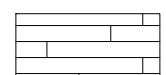


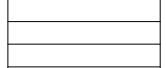
Drawing Description:
ENLARGED PLANS

A402

CONTRACTOR: BY REVIEWING THE SPECIFICATIONS FOR CODE COMPLIANCE, DESIGN PROFESSIONALS, CONTRACTORS OR THEIR REPRESENTATIVES FROM THE RESPONSIBILITY TO VERIFY WITH ALL LOCAL, STATE AND NATIONAL CODES AND ORDINANCES IN EFFECT AT TIME OF PERMIT SUBMISSION. OUR REVIEW IS NOT A CHECK OF EVERY ITEM AND DOES NOT PREVENT THE DEPARTMENT FROM REQUIRING CORRECTIONS DURING CONSTRUCTION. ANY CORRECTIONS TO APPROVED PLANS SHALL BE APPROVED TO AVOID VIOLATING THE PERMIT.

PERMIT SET. RELEASED OR ISSUED FOR CONSTRUCTION.

FINISH LEGEND

- CT-1 SEALED CONCRETE 
- HDWD-1 (HARDWOOD) 
- LVT-1 (LUXURY VINYL TILE) 
- T-1 (STONE TILE) 
- CPT-1 (CARPET) 
- PWD-1 (PLYWOOD) 

SHEET NOTES

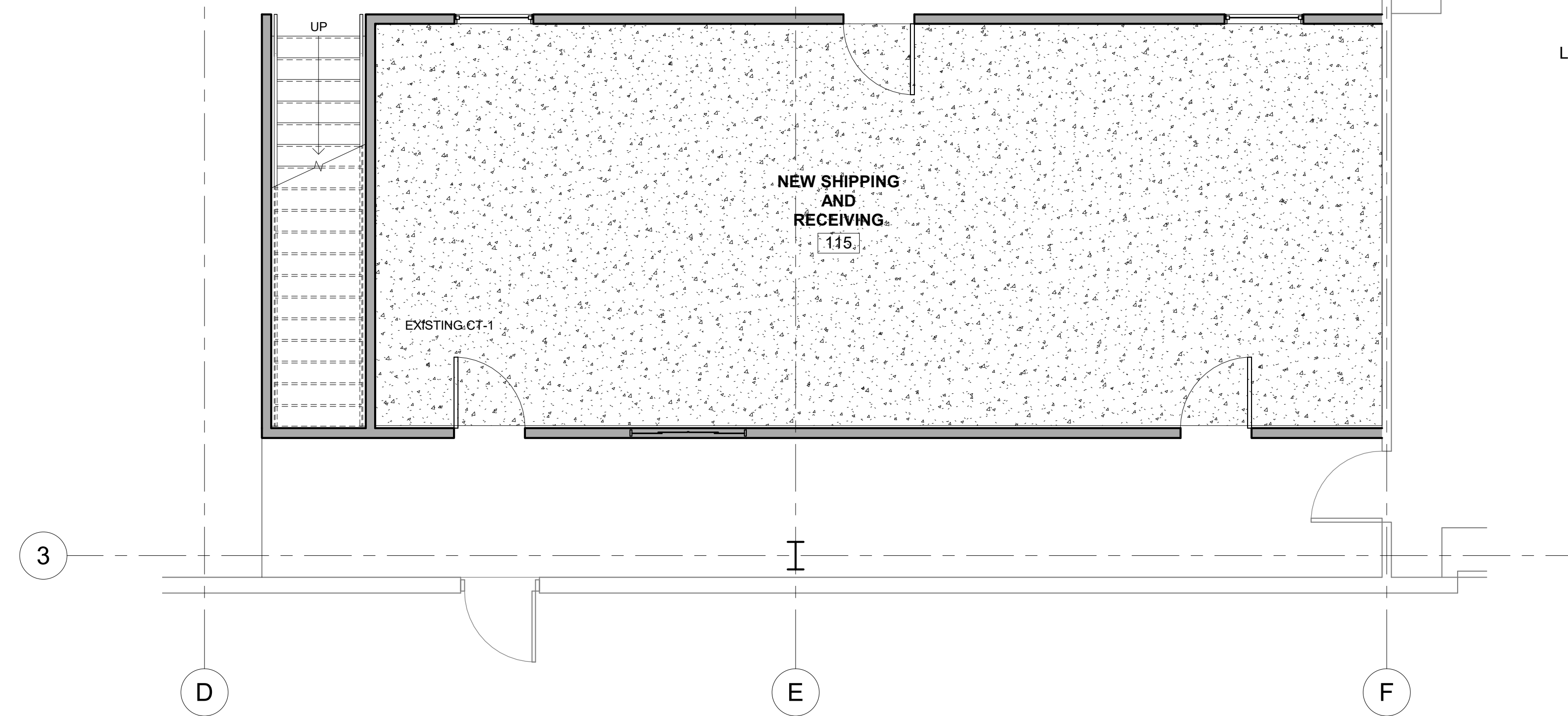
1. ALL DIMENSIONS TO BE VERIFIED IN THE FIELD BY THE G.C. PRIOR TO ANY INSTALLATION OF NEW WORK
2. ALL EXPOSED GYPSUM BOARD IN LEASE AREA SHALL BE SEALED AND PRIMED ONLY
3. GENERAL CONTRACTOR SHALL BE REQUIRED TO VISIT PREMISE TO INSPECT EXISTING CONDITIONS AND VERIFY WORK TO BE PERFORMED.
4. ALL WORK PERFORMED SHALL BE IN STRICT COMPLIANCE WITH GOVERNING FEDERAL, STATE AND LOCAL BUILDING CODES REQUIREMENTS.
5. FIRE SEAL ALL PENETRATIONS THRU RATED WALLS, FLOORS, AND CEILINGS WITH APPROVED FIRE RATED CAULK AS DIRECTED BY LOCAL JURISDICTIONS.
6. THE CONTRACTOR SHALL BE RESPONSIBLE FOR THE REMOVAL OF TRASH AND DEBRIS FROM THE JOB SITE ON A DAILY BASIS.
7. REFER TO MECHANICAL, ELECTRICAL AND PLUMBING DRAWINGS FOR EQUIPMENT AND RELATED DETAILS.
8. REFER TO STRUCTURAL DRAWINGS FOR FOUNDATION DETAILS.
9. SEE STRUCTURAL DRAWINGS FOR ALL SLAB ON GRADE DETAILS AND SPECIFICATIONS
10. FOR LOCATION OF MOP SINKS AND FLOOR DRAINS SEE PLUMBING DRAWINGS.
11. ALL FRAMING DIMENSIONS ARE ROUGH FRAMING, AND DO NOT INCLUDE ANY FINISH MATERIALS UNLESS OTHERWISE NOTED.
12. ALL WALLS SHALL BE OF 6" OR 4" METAL STUDS UNLESS OTHERWISE NOTED.
13. APPLY BORIC ACID ON TOP OF THE MUD SILL OR BOTTOM PLATE, PRIOR TO CLOSING ALL WALLS.
14. PROVIDE BLOCKING FOR RESTROOM ACCESSORIES, DOOR STOPS, EXP. JOINTS, CABINETS, ETC.
15. INSTALL OCCUPANT LOAD SIGN PER LOCAL FIRE MARSHALL. COORDINATE LOCATION WITH OWNER/FIRE MARSHALL.
16. PROVIDE MASTIC OR APPROVED SEALANT UNDER ALL EXT. PLATES
17. SEE DRAWING A601 FOR DOOR TYPES, SCHEDULE INTERIOR FINISH PLAN AND HARDWARE SCHEDULE.



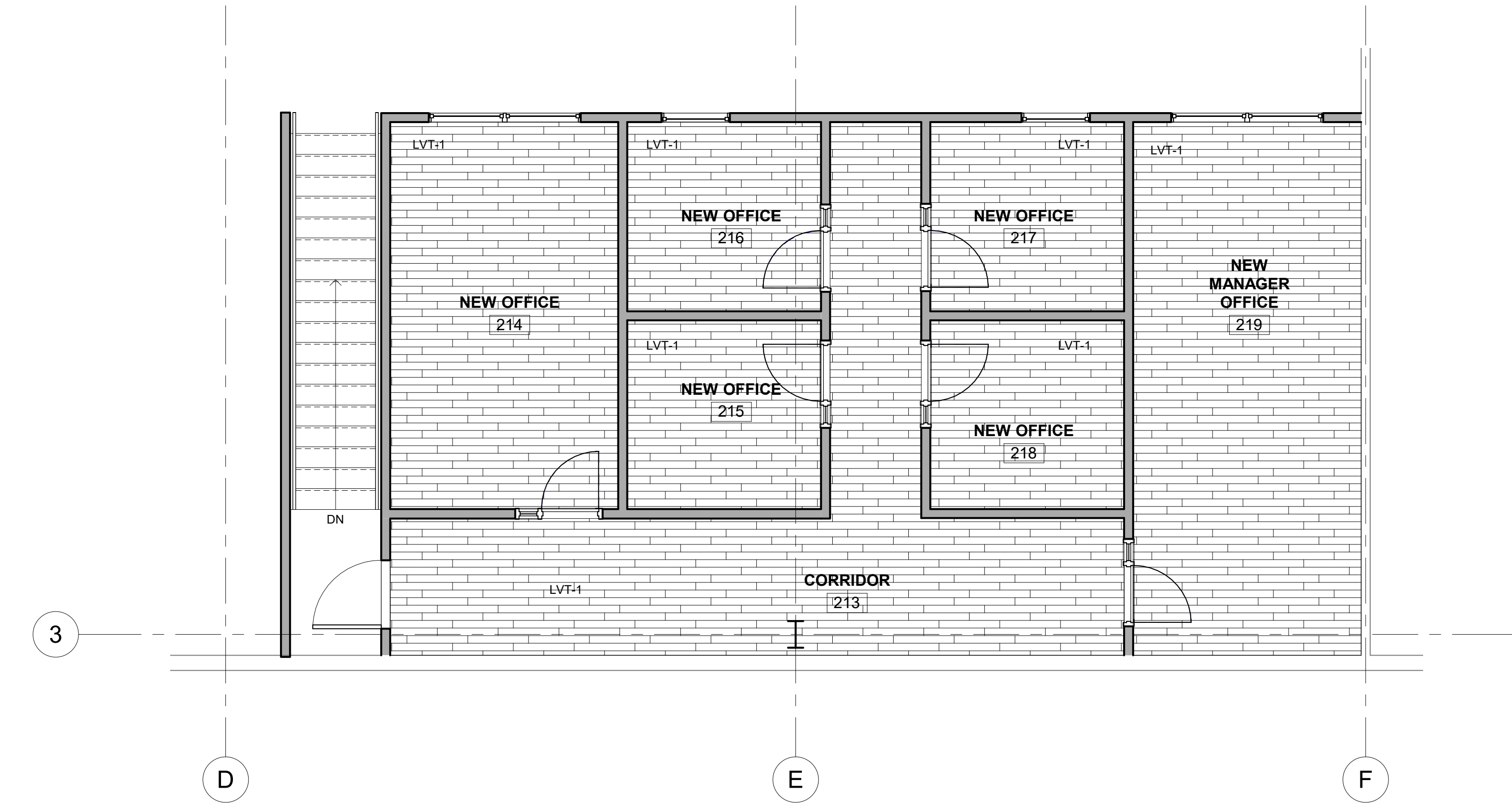
THIS DRAWING, AS AN INSTRUMENT OF SERVICE, IS AND SHALL REMAIN THE PROPERTY OF THE ARCHITECT AND SHALL NOT BE REPRODUCED, PUBLISHED OR USED IN ANY WAY WITHOUT THE PERMISSION OF THE ARCHITECT.
Copyright © 2022 by Syntony Design Collaborative, LLC

Drawing Revisions:

1	PLAN REVIEW COMMENTS	10.07.22
---	----------------------	----------



1 ENLARGED FIRST LEVEL FINISH PLAN - SHIPPING AND RECEIVING
1/4" = 1'-0"



2 ENLARGED SECOND LEVEL FINISH PLAN - SHIPPING AND RECEIVING
1/4" = 1'-0"

Drawing Date: 09/20/2022
Project Number: 220001
Drawn By: CR
Checked By: GLP

GEORGIA MOUNTAIN FOOD BANK
1642 CALVARY INDUSTRIAL DRIVE SW
GAINESVILLE, GA 30607

Drawing Description:
ENLARGED FINISH PLANS

A403

CONSULTANTS: By reviewing the drawings for Code Compliance, date not shown, the owner, design professionals, contractors or their representatives from the responsibility to comply with all local, state and national codes and standards in effect at time of permit issuance. Our review is not a check of every item and does not prevent the department from requiring corrections during construction. Any changes/alterations to approved plans shall be approved to avoid voiding the permit.

PERMIT SET. RELEASED OR ISSUED FOR CONSTRUCTION.

FINISH LEGEND

CT-1 SEALED CONCRETE	
HDWD-1 (HARDWOOD)	
LVT-1 (LUXURY VINYL TILE) (N.I.C.)	
T-1 (STONE TILE)	
CPT-1 (CARPET)	
PWD-1 (PLYWOOD)	

SHEET NOTES

- ALL DIMENSIONS TO BE VERIFIED IN THE FIELD BY THE G.C. PRIOR TO ANY INSTALLATION OF NEW WORK
- ALL EXPOSED GYPSUM BOARD IN LEASE AREA SHALL BE SEALED AND PRIMED ONLY
- GENERAL CONTRACTOR SHALL BE REQUIRED TO VISIT PREMISE TO INSPECT EXISTING CONDITIONS AND VERIFY WORK TO BE PERFORMED.
- ALL WORK PERFORMED SHALL BE IN STRICT COMPLIANCE WITH GOVERNING FEDERAL, STATE AND LOCAL BUILDING CODES REQUIREMENTS.
- FIRE SEAL ALL PENETRATIONS THRU RATED WALLS, FLOORS, AND CEILINGS WITH APPROVED FIRE RATED CAULK AS DIRECTED BY LOCAL JURISDICTIONS.
- THE CONTRACTOR SHALL BE RESPONSIBLE FOR THE REMOVAL OF TRASH AND DEBRIS FROM THE JOB SITE ON A DAILY BASIS.
- REFER TO MECHANICAL, ELECTRICAL AND PLUMBING DRAWINGS FOR EQUIPMENT AND RELATED DETAILS.
- REFER TO STRUCTURAL DRAWINGS FOR FOUNDATION DETAILS.
- SEE STRUCTURAL DRAWINGS FOR ALL SLAB ON GRADE DETAILS AND SPECIFICATIONS
- FOR LOCATION OF MOP SINKS AND FLOOR DRAINS SEE PLUMBING DRAWINGS.
- ALL FRAMING DIMENSIONS ARE ROUGH FRAMING, AND DO NOT INCLUDE ANY FINISH MATERIALS UNLESS OTHERWISE NOTED.
- ALL WALLS SHALL BE OF 6" OR 4" METAL STUDS UNLESS OTHERWISE NOTED.
- APPLY BORIC ACID ON TOP OF THE MUD SILL OR BOTTOM PLATE, PRIOR TO CLOSING ALL WALLS. UNLESS OTHERWISE NOTED.
- PROVIDE BLOCKING FOR RESTROOM ACCESSORIES, DOOR STOPS, EXP. JOINTS, CABINETS, ETC.
- INSTALL OCCUPANT LOAD SIGN PER LOCAL FIRE MARSHALL. COORDINATE LOCATION WITH OWNER/FIRE MARSHALL.
- PROVIDE MASTIC OR APPROVED SEALANT UNDER ALL EXT. PLATES
- SEE DRAWING A601 FOR DOOR TYPES, SCHEDULE INTERIOR FINISH PLAN AND HARDWARE SCHEDULE.



THIS DRAWING, AS AN INSTRUMENT OF SERVICE, IS AND SHALL REMAIN THE PROPERTY OF THE ARCHITECT AND SHALL NOT BE REPRODUCED, PUBLISHED OR USED IN ANY WAY WITHOUT THE PERMISSION OF THE ARCHITECT.
Copyright © 2022 by Syntony Design Collaborative, LLC

Drawing Revisions:

- | | | |
|---|----------------------|----------|
| 1 | PLAN REVIEW COMMENTS | 10.07.22 |
|---|----------------------|----------|

Drawing Date:	09/20/2022
Project Number:	220001
Drawn By:	CR
Checked By:	GLP

GEORGIA MOUNTAIN FOOD BANK
1642 CALVARY INDUSTRIAL DRIVE SW
GAINESVILLE, GA 30607

Drawing Description:
ENLARGED
FINISH PLANS

A404



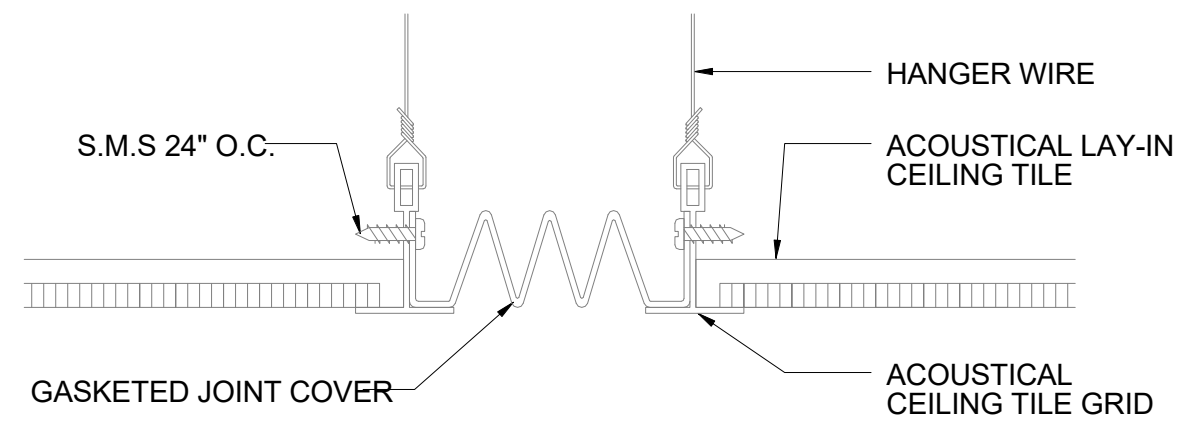
1 ENLARGED SECOND LEVEL FINISH PLAN - ADMIN OFFICES
1/4" = 1'-0"

KEY PLAN

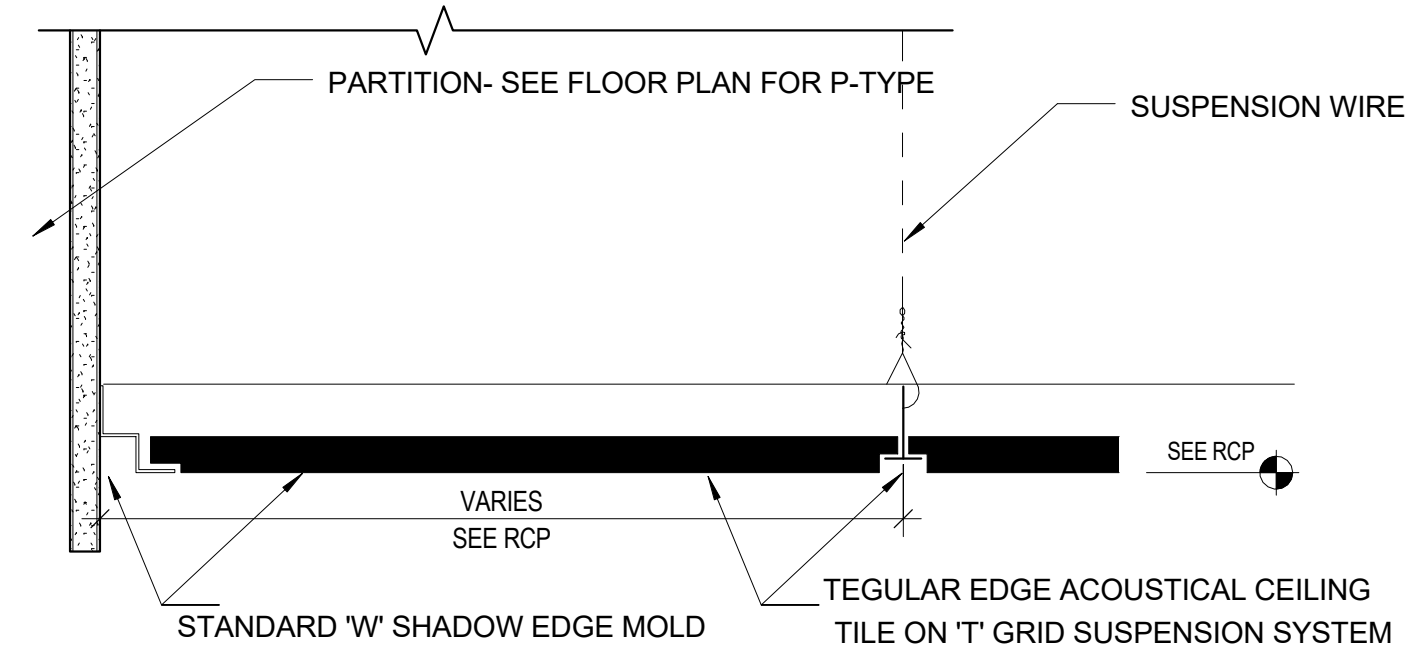


CONTRACTOR: By reviewing the drawings for Code Compliance, does not release the owner, design professionals, contractors or their representatives from the responsibility to comply with all local, state and national codes and standards in effect at time of permit issuance. Our review is not a check of every item and does not prevent the department from requiring corrections during construction. Any corrections to approved plans shall be approved to avoid voiding the permit.

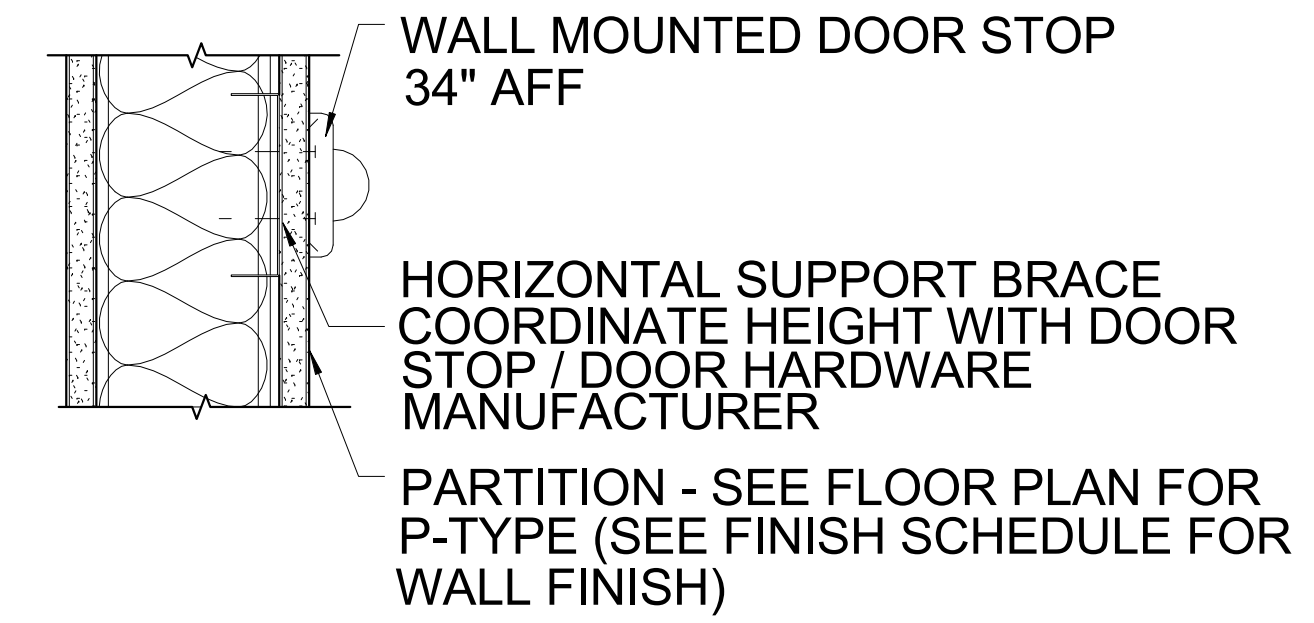
PERMIT SET. RELEASED OR ISSUED FOR CONSTRUCTION.



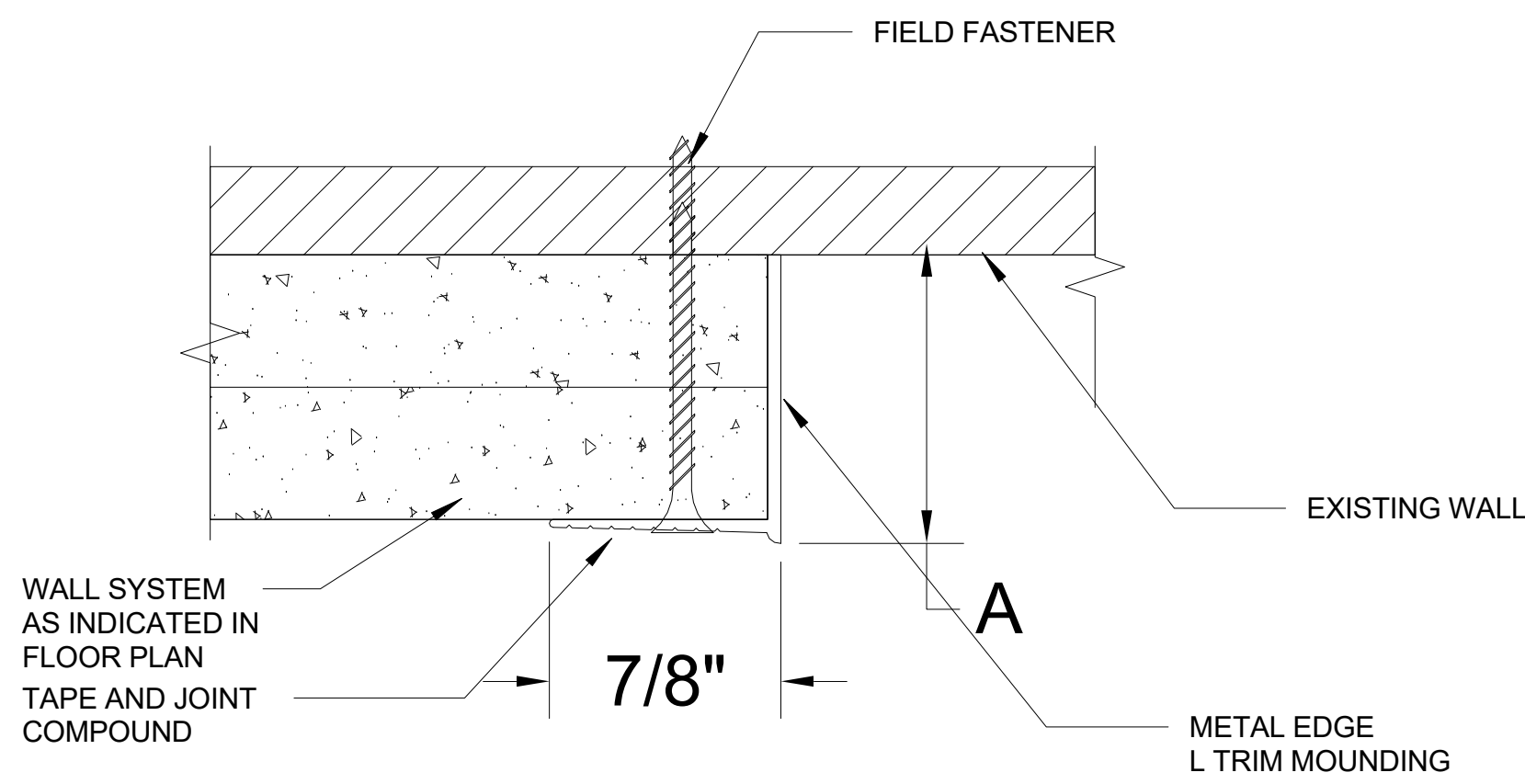
1 ACT EXPANSION DETAIL
3" = 1'-0"



2 ACT REGULAR EDGE TO WALL/SOFFIT
3" = 1'-0"

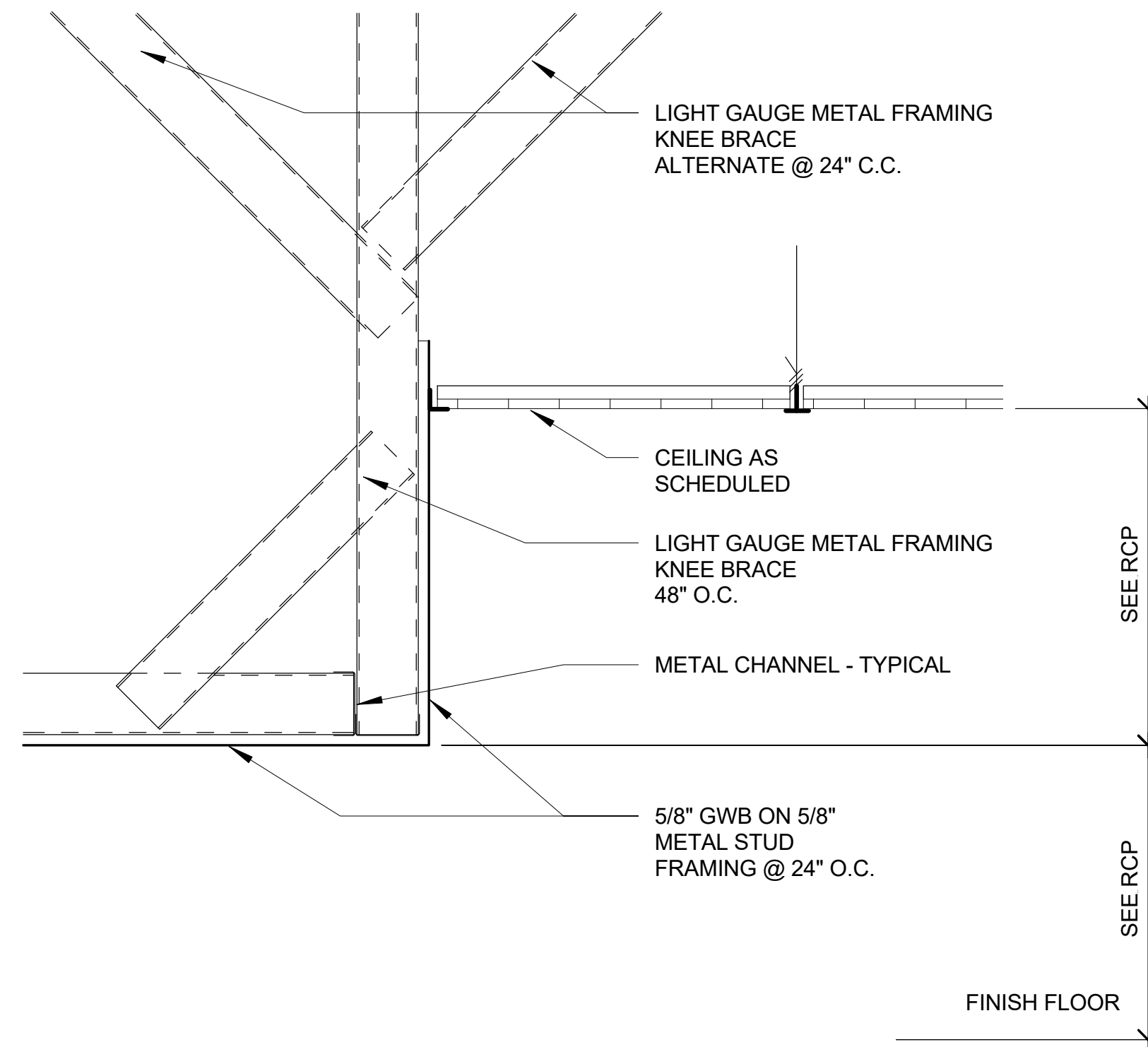


3 DOOR STOP DETAIL
3" = 1'-0"

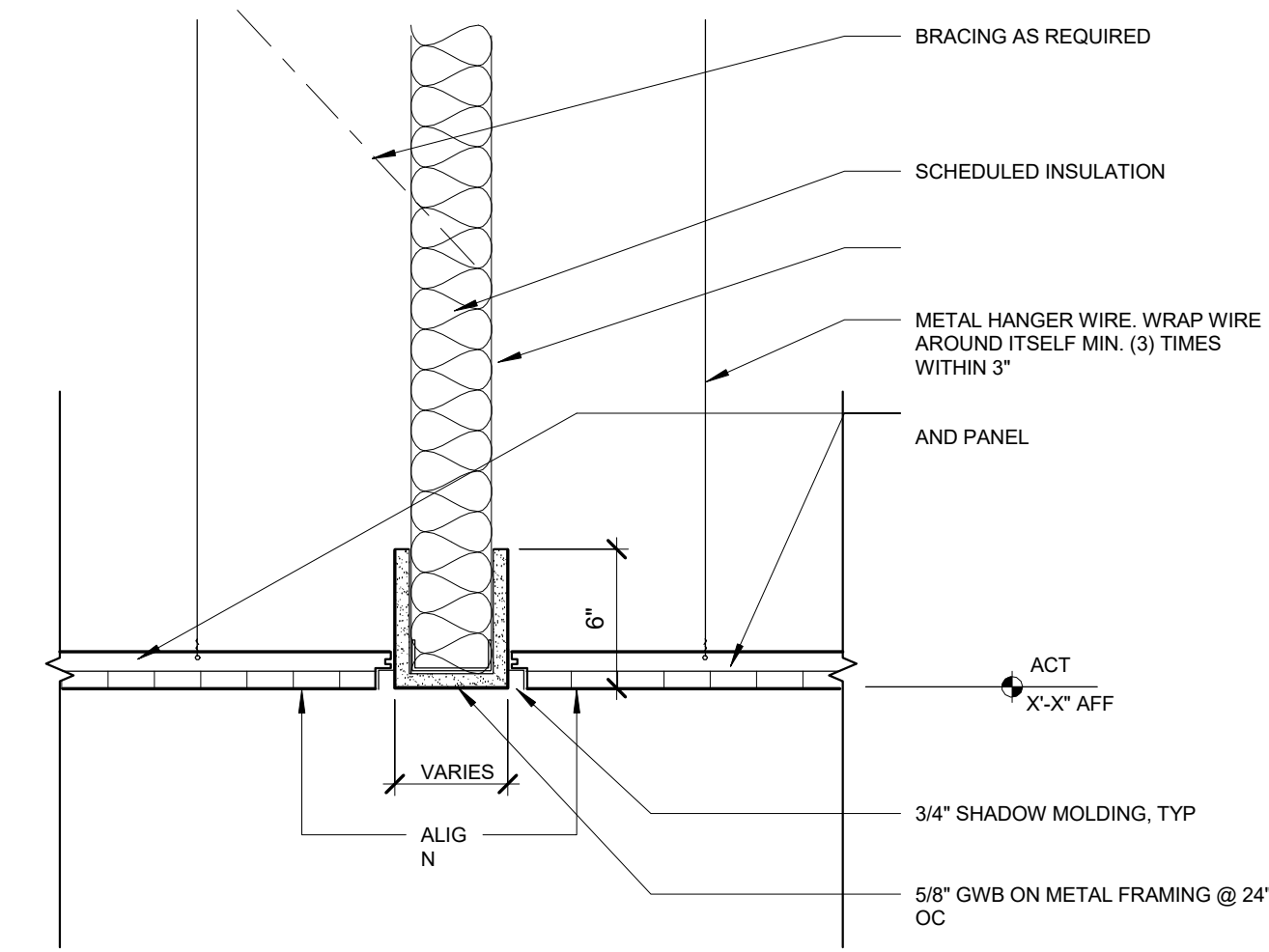


NOTE: PROVIDE AT GYPSUM WALLS ABOVE COUNTERS

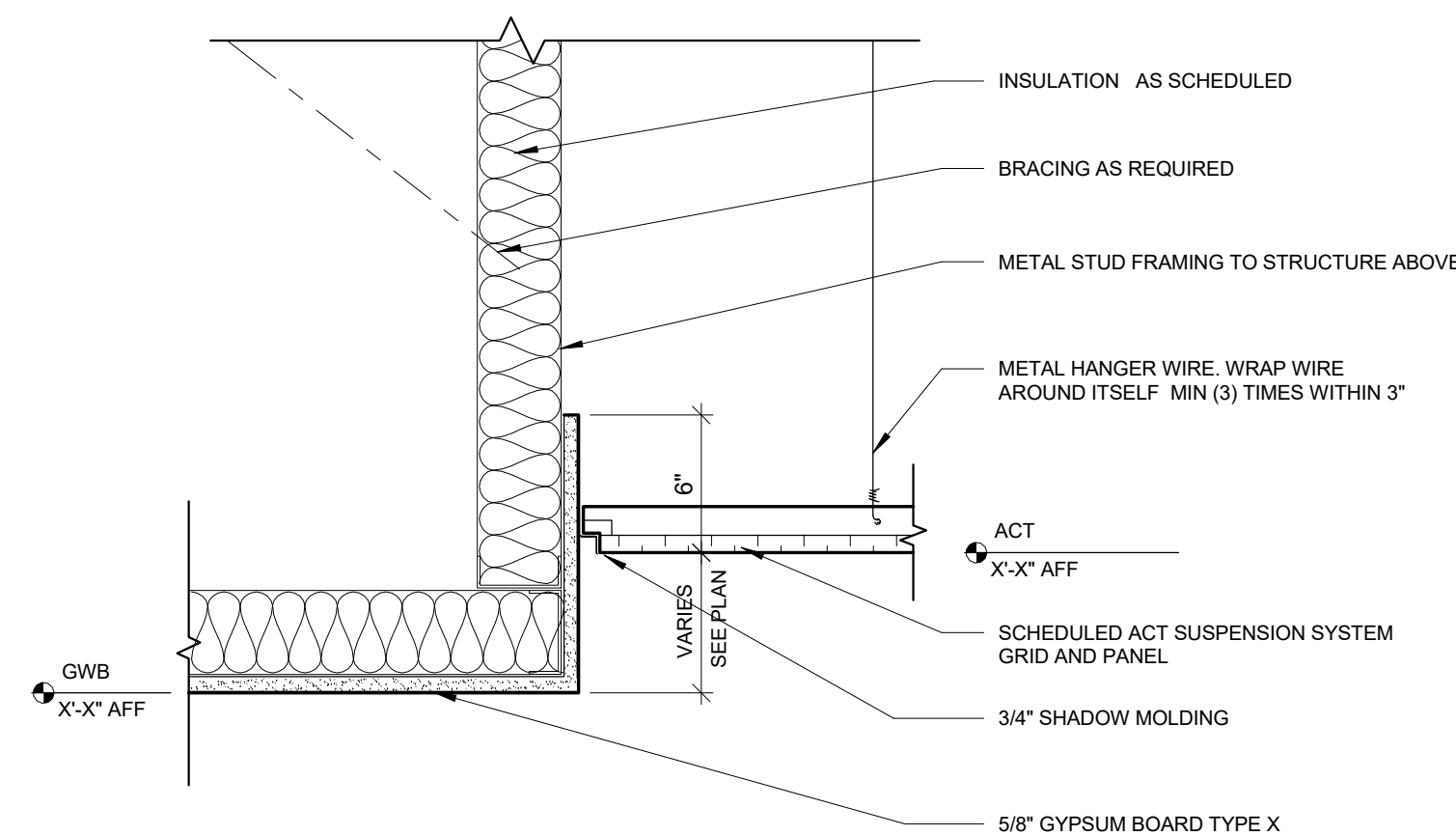
4 FURRING WALL EDGE DETAIL
1 1/2" = 1'-0"



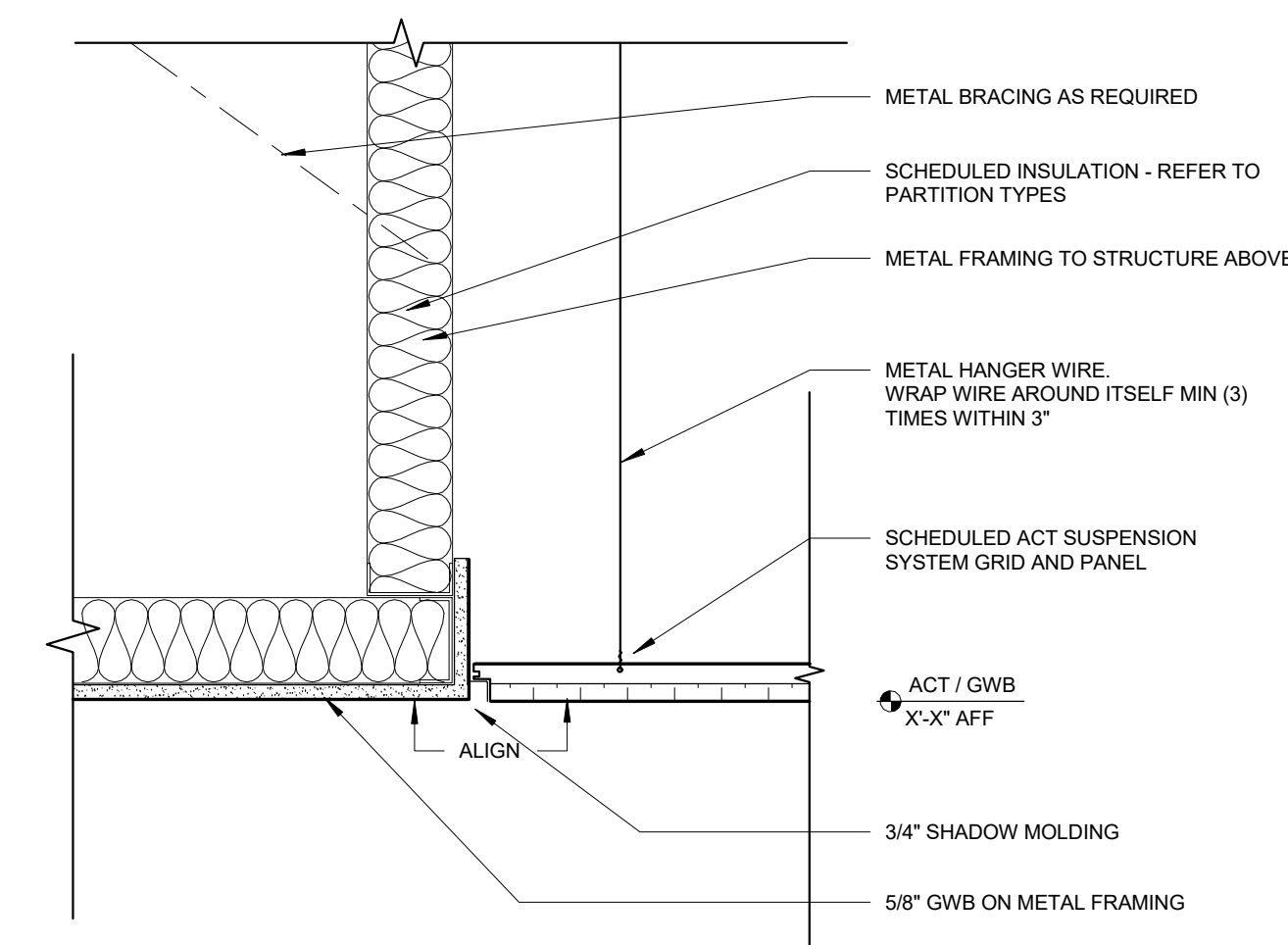
5 DETAIL AT CEILING - KNEE BRACE
1 1/2" = 1'-0"



6 CEILING DETAIL AT SHADOW MOLDING
1 1/2" = 1'-0"



7 DETAIL AT CEILING - OFFSET FINISHES
1 1/2" = 1'-0"



8 DETAIL AT CEILING - ALIGNED FINISHES
1 1/2" = 1'-0"



THIS DRAWING, AS AN INSTRUMENT OF SERVICE, IS AND SHALL REMAIN THE PROPERTY OF THE ARCHITECT AND SHALL NOT BE REPRODUCED, PUBLISHED OR USED IN ANY WAY WITHOUT THE PERMISSION OF THE ARCHITECT.
Copyright © 2022 by Syntony Design Collaborative, LLC

Drawing Revisions:
1 PLAN REVIEW COMMENTS 10.07.22

Drawing Date: 09/20/2022
Project Number: 220001
Drawn By: CR
Checked By: GLP

GEORGIA MOUNTAIN FOOD BANK
1642 CALVARY INDUSTRIAL DRIVE SW
GAINESVILLE, GA 30607

Drawing Description:
EXTERIOR AND INTERIOR DETAILS

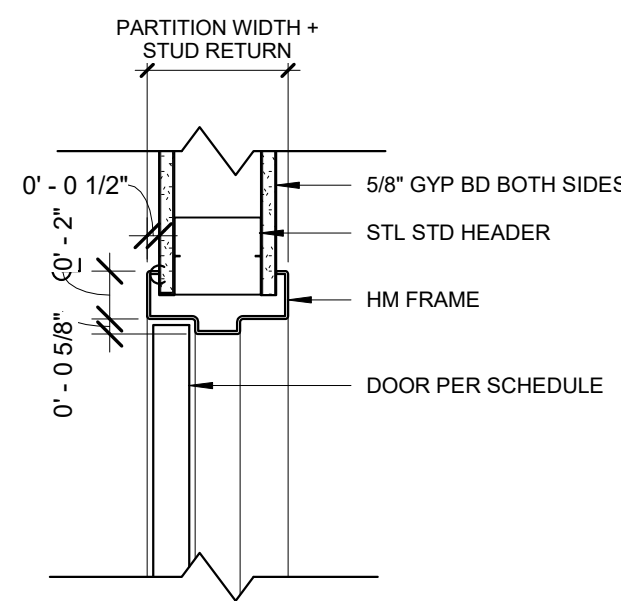
A501

CONTRACTOR: 10/20/2023 By reviewing the drawings for Code Compliance, the user's design professional, contractor or their representative from the responsibility to comply with all local, state and national codes and standards in effect at time of permit issuance. Our review is not a check of every item and does not prevent the department from requiring corrections during construction. Any changes/alterations to approved plans shall be approved to avoid voiding the permit.

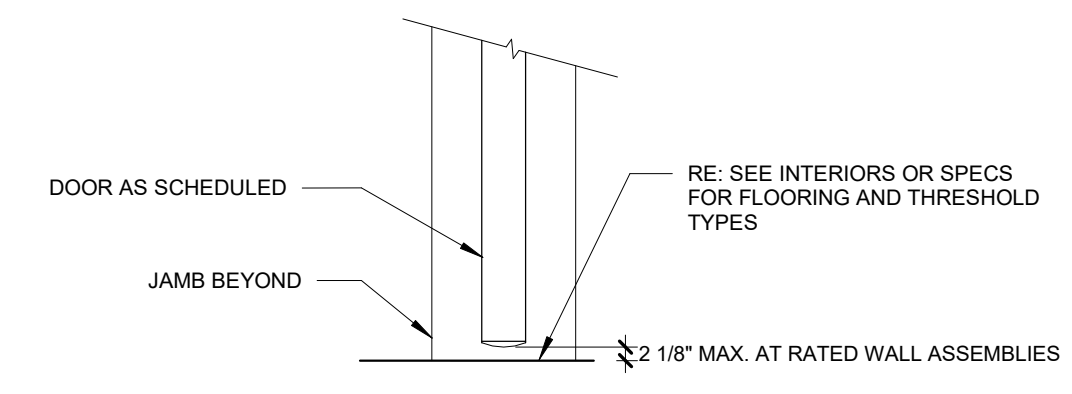
PERMIT SET. RELEASED OR ISSUED FOR CONSTRUCTION.



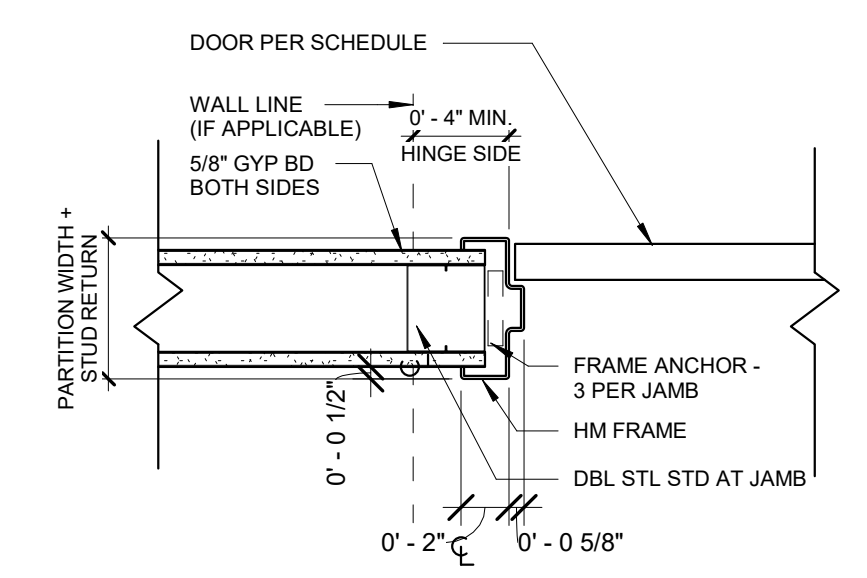
Door Schedule						
Mark	Type Mark	Width	Height	Family	Thickness	Comments
112A	D	8'-0"	9'-0"	M_Door-Overhead-Rolling	0'-3 5/32"	
112B	D	8'-0"	9'-0"	M_Door-Overhead-Rolling	0'-3 5/32"	
115	B	3'-0"	7'-0"	Single-Flush	0'-2"	
115A	B	3'-0"	7'-0"	Single-Flush	0'-2"	
115B	B	3'-0"	7'-0"	Single-Flush	0'-2"	
116	D-1	10'-0"	10'-0"	M_Door-Overhead-Rolling	0'-3 5/32"	
117	B	3'-0"	7'-0"	Single-Flush	0'-2"	
117A	E	8'-0"	10'-0"	Door-Overhead-Sectional	0'-1 1/2"	
117B	D	8'-0"	9'-0"	M_Door-Overhead-Rolling	0'-3 5/32"	TO BE INSULATED
117C	D	8'-0"	9'-0"	M_Door-Overhead-Rolling	0'-3 5/32"	TO BE INSULATED
118	E	8'-0"	10'-0"	Door-Overhead-Sectional	0'-1 1/2"	
119	B	3'-0"	7'-0"	Single-Flush	0'-2"	
120	A	3'-0"	8'-0"	Door-Passage-Single-Full_Lite	0'-1 3/4"	
206	B	3'-0"	7'-0"	Single-Flush	0'-2"	
209	C	2'-6"	7'-0"	HM_FRAME_SINGLE_with_Sidelight_20808	0'-1 3/4"	
210	C	2'-6"	7'-0"	HM_FRAME_SINGLE_with_Sidelight_20808	0'-1 3/4"	
211	C	2'-6"	7'-0"	HM_FRAME_SINGLE_with_Sidelight_20808	0'-1 3/4"	
212	C	2'-6"	7'-0"	HM_FRAME_SINGLE_with_Sidelight_20808	0'-1 3/4"	
213	B	3'-0"	7'-0"	Single-Flush	0'-2"	
214	C	2'-6"	7'-0"	HM_FRAME_SINGLE_with_Sidelight_20808	0'-1 3/4"	
215	C	2'-6"	7'-0"	HM_FRAME_SINGLE_with_Sidelight_20808	0'-1 3/4"	
216	C	2'-6"	7'-0"	HM_FRAME_SINGLE_with_Sidelight_20808	0'-1 3/4"	
217	C	2'-6"	7'-0"	HM_FRAME_SINGLE_with_Sidelight_20808	0'-1 3/4"	
218	C	2'-6"	7'-0"	HM_FRAME_SINGLE_with_Sidelight_20808	0'-1 3/4"	
219	C	2'-6"	7'-0"	HM_FRAME_SINGLE_with_Sidelight_20808	0'-1 3/4"	
EX B		3'-0"	7'-0"	Single-Flush	0'-2"	EXISTING DOOR TO REMAIN
EX B		3'-0"	7'-0"	Single-Flush	0'-2"	EXISTING DOOR TO REMAIN
EX B		3'-0"	7'-0"	Single-Flush	0'-2"	EXISTING DOOR TO REMAIN
EX B		3'-0"	7'-0"	Single-Flush	0'-2"	EXISTING DOOR TO REMAIN
EX B		3'-0"	7'-0"	Single-Flush	0'-2"	EXISTING DOOR TO REMAIN
EX B		3'-0"	7'-0"	Single-Flush	0'-2"	EXISTING DOOR TO REMAIN
EX B		3'-0"	7'-0"	Single-Flush	0'-2"	EXISTING DOOR TO REMAIN
EX 8		2'-4"	7'-0"	Single-Flush	0'-2"	EXISTING DOOR TO REMAIN
EX B		3'-0"	7'-0"	Single-Flush	0'-2"	EXISTING DOOR TO REMAIN
EX B		3'-0"	7'-0"	Single-Flush	0'-2"	EXISTING DOOR TO REMAIN
EX B		3'-0"	7'-0"	Single-Flush	0'-2"	EXISTING DOOR TO REMAIN
EX B		3'-0"	7'-0"	Single-Flush	0'-2"	EXISTING DOOR TO REMAIN
EX B		3'-0"	7'-0"	Single-Flush	0'-2"	EXISTING DOOR TO REMAIN
EX B		3'-0"	7'-0"	Single-Flush	0'-2"	EXISTING DOOR TO REMAIN
EX B		3'-0"	7'-0"	Single-Flush	0'-2"	EXISTING DOOR TO REMAIN
EX B		3'-0"	7'-0"	Single-Flush	0'-2"	EXISTING DOOR TO REMAIN
EX B		3'-0"	7'-0"	Single-Flush	0'-2"	EXISTING DOOR TO REMAIN
EX B		3'-0"	7'-0"	Single-Flush	0'-2"	EXISTING DOOR TO REMAIN
EX B		3'-0"	7'-0"	Single-Flush	0'-2"	EGRESS; EXISTING DOOR TO REMAIN
EX 0		0'-0"	0'-0"	M_Door-Opening		EXISTING DOOR TO REMAIN
EX B		3'-0"	7'-0"	Single-Flush	0'-2"	EXISTING DOOR TO REMAIN
EX B		3'-0"	7'-0"	Single-Flush	0'-2"	EXISTING DOOR TO REMAIN
EX D		8'-0"	10'-0"	M_Door-Overhead-Rolling	0'-3 5/32"	EXISTING DOOR TO REMAIN
EX D-1		10'-0"	10'-0"	M_Door-Overhead-Rolling	0'-3 5/32"	EXISTING DOOR TO REMAIN
EX D		8'-0"	9'-0"	M_Door-Overhead-Rolling	0'-3 5/32"	EXISTING DOOR TO REMAIN
EX B		3'-0"	7'-0"	Single-Flush	0'-2"	EGRESS; EXISTING DOOR TO REMAIN
EX B		3'-0"	7'-0"	Single-Flush	0'-2"	EGRESS; EXISTING DOOR TO REMAIN
EX F		3'-0"	7'-0"	Door-Passage-Single-Full_Lite	0'-1 3/4"	EXISTING DOOR TO REMAIN
EX. A		3'-0"	8'-0"	Door-Passage-Single-Full_Lite	0'-1 3/4"	EGRESS; EXISTING DOOR TO REMAIN



1 H.M. DOOR HEAD @ STUD
1 1/2" = 1'-0"

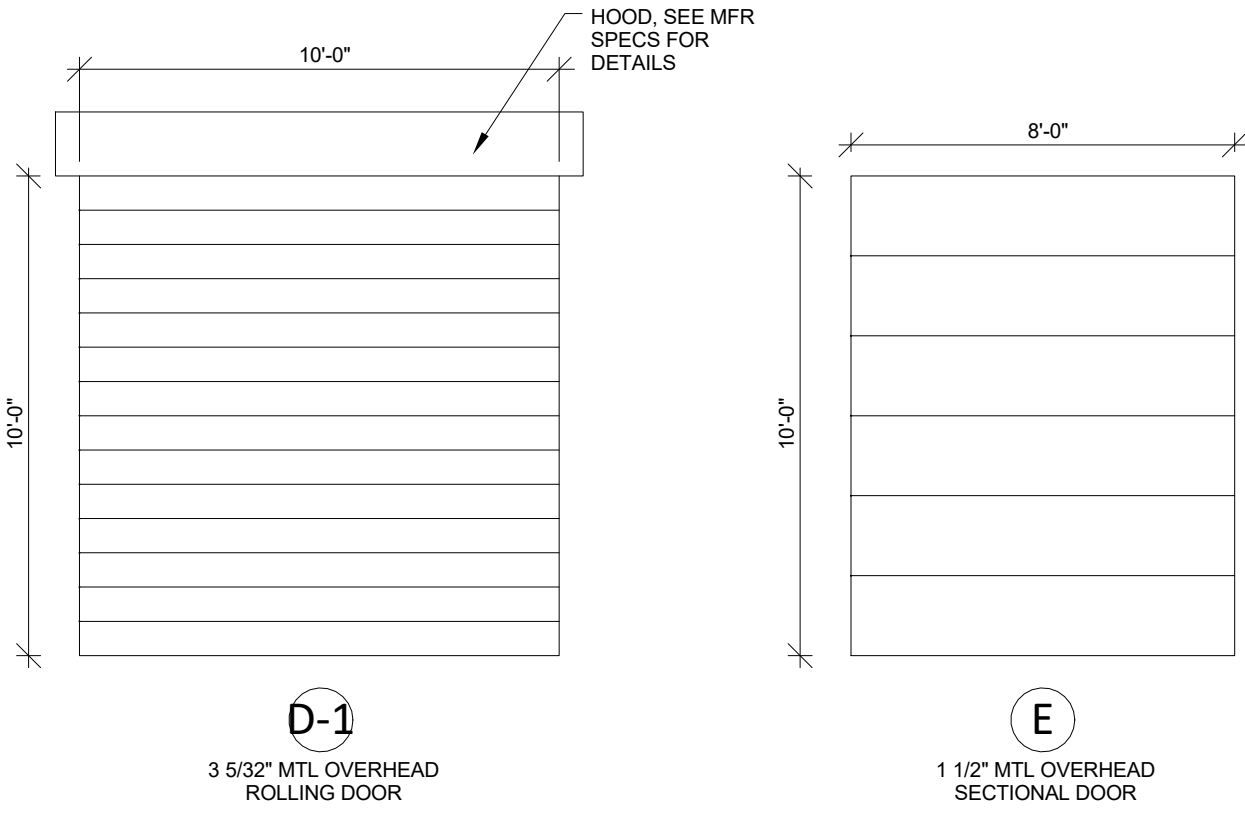
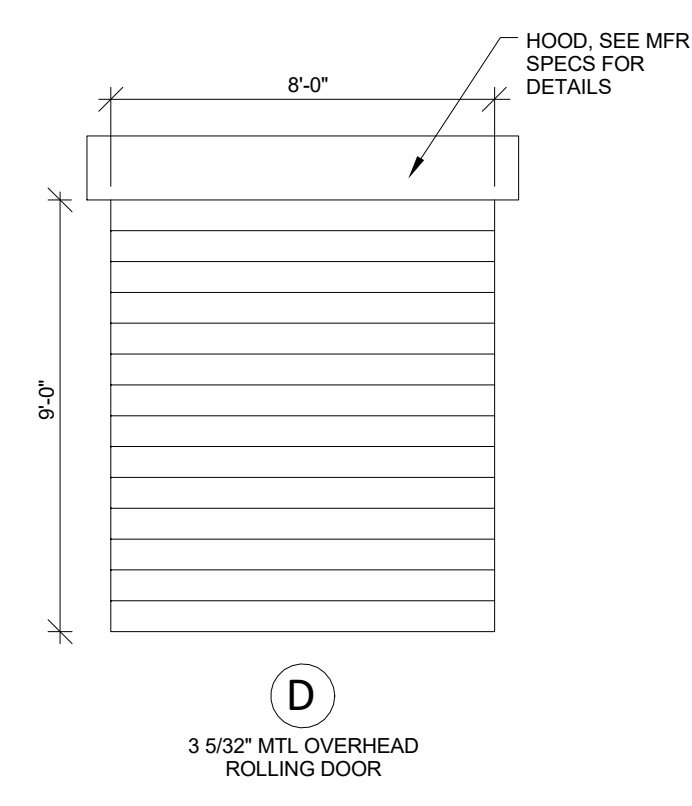
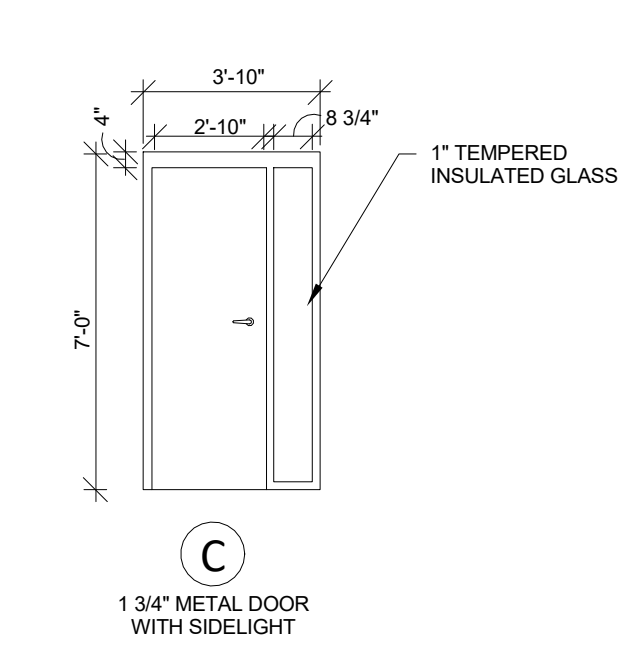
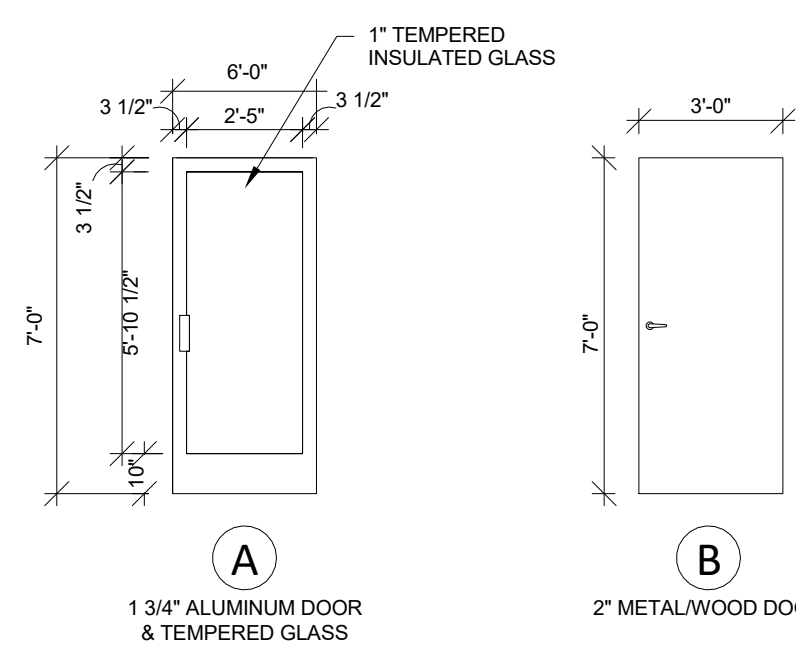


2 H.M. DOOR SILL
1 1/2" = 1'-0"

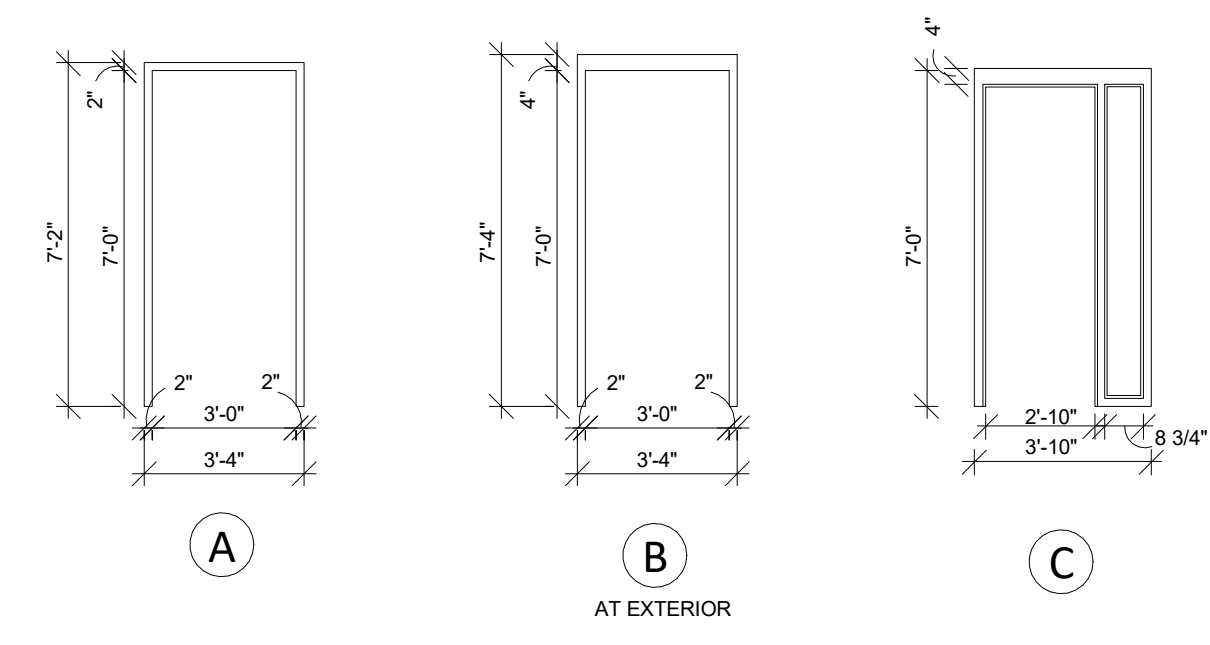


3 H.M. JAMB @ STUD
1 1/2" = 1'-0"

DOOR TYPES



FRAME TYPES



THIS DRAWING, AS AN INSTRUMENT OF SERVICE, IS AND SHALL REMAIN THE PROPERTY OF THE ARCHITECT AND SHALL NOT BE REPRODUCED, PUBLISHED OR USED IN ANY WAY WITHOUT THE PERMISSION OF THE ARCHITECT.
Copyright © 2022 by Syntony Design Collaborative, LLC

Drawing Revisions:
1 PLAN REVIEW COMMENTS 10.07.22

Drawing Date: 09/20/2022
Project Number: 220001
Drawn By: AP
Checked By: GLP

GEORGIA MOUNTAIN FOOD BANK
1642 CALVARY INDUSTRIAL DRIVE SW
GAINESVILLE, GA 30607

Drawing Description:
DOOR AND WINDOW
FRAME TYPES,
SCHEDULE,
AND DETAILS

A601

COMMON PRACTICES: By reviewing the plans, the contractor shall be responsible for its own design, design professional, contractor or their representatives from the responsibility to comply with all local, state and national codes and standards in effect at time of permit issuance. Our review is not a check of every item and does not prevent the department from requiring corrections during construction. Any corrections during construction shall be approved to avoid voiding the permit.

STRUCTURAL GENERAL NOTES

STRUCTURAL ENGINEER
EMMANUEL ANSA, PE, SE
P.O. BOX 142318
FAYETTEVILLE, GA. 30215
Email: eansa@comcast.net

FOUNDATIONS

- ALL FOOTINGS SHALL BEAR ON NATURAL UNDISTURBED SOIL HAVING A MINIMUM SAFE BEARING CAPACITY OF 2,000 PSF, OR ENGINEERED CONTROLLED COMPACTED FILL AS REQUIRED HAVING ALLOWABLE BEARING CAPACITY OF 2,000 PSF. THERE WAS NO GEOTECHNICAL REPORT DURING THE DESIGN OF THIS BUILDING. IT'S ABSOLUTELY NECESSARY THAT A GEOTECHNICAL ENGINEER IS RETAINED DURING THE CONSTRUCTION PHASE TO ANALYZED THE SOIL WITHIN THE BUILDING FOOTPRINT AND PROVIDE THE STRUCTURAL ENGINEER OF THE PROJECT WITH THE SOIL PROFILE INDICATING THE TYPE OF SOIL ENCOUNTERED AT THE SITE, THE DENSITY, THE SOIL FRICTION ANGLE, THE ACTIVE, PASSIVE AND STATIC SOIL PRESSURES. ALSO A GEOTECHNICAL ENGINEER SHALL VERIFY THE SOIL COMPACTION BEFORE INSTALLATION OF ANY FOUNDATION SYSTEM.
- ISOLATED FOOTING SHALL BE LOWERED AND PIERS SHALL BE ADDED IN HEIGHT, ALL AS APPROVED, WHERE SOIL OF THE SPECIFIED BEARING CAPACITY IS FOUND AT A LOWER ELEVATION THAN SHOWN ON THE PLANS.
- BACKFILLING AGAINST FOUNDATION WALLS SHALL NOT BE DONE UNTIL WALL HAS BEEN CURED TO A SUFFICIENT STRENGTH (7 DAYS MINIMUM), AND WALLS ARE PROPERLY SHORED OR BRACED FOR ADDITIONAL 7 DAYS.
- THE CONTRACTOR SHALL SAFEGUARD AND PROTECT ALL EXCAVATIONS, AND EXCAVATIONS SHALL BE KEPT FREE OF WATER.
- EDGES OF FOOTINGS SHALL NOT BE PLACED AT A SLOPE GREATER THAN 1 (VERTICAL) TO 2 (HORIZONTAL) WITH RESPECT TO ANY ADJACENT FOOTINGS U.N.O.
- THE FOUNDATION CONTRACTOR SHALL REFER TO THE MECHANICAL, CIVIL AND ELECTRICAL CONTRACT DRAWINGS FOR ALL LOCATIONS OF TRENCHES, PITS, CONDUITS, UNDERFLOOR AND PERIMETER DRAINAGE SYSTEMS ETC.

CONCRETE

- ALL CONCRETE WORK SHALL CONFORM WITH THE REQUIREMENTS OF THE LATEST EDITION OF THE AMERICAN CONCRETE INSTITUTE A.C.I. 318 AND OTHER A.C.I. CONCRETE CODES.
- ALL CONCRETE USED FOR THIS PROJECT SHALL BE AS FOLLOWS:
 - ALL CONCRETE FOR FOOTINGS AND BUILDING SLAB ON GRADE SHALL BE STONE CONCRETE HAVING A MINIMUM COMPRESSIVE STRENGTH OF 3,000 PSI AT 28 DAYS.
 - ALL CONCRETE FOR EXTERIOR WORK LIKE THE RAMP, SIDEWALKS, ETC. SHALL BE STONE CONCRETE WITH 4,000 PSI MINIMUM COMPRESSIVE STRENGTH AT 28 DAYS.
- REPRESENTATIVE TEST CYLINDERS WILL BE TAKEN FROM THE CONCRETE PLACED EACH DAY IN ACCORDANCE WITH A.C.I. CODE AND SPECIFICATIONS IN THIS PROJECT.
- REINFORCING STEEL SHALL BE DEFORMED BARS OF INTERMEDIATE GRADE NEW BILLET STEEL CONFORMING TO CURRENT REQUIREMENTS OF A.S.T.M. A-615 GRADE 60. DESIGN STRESS = 24,000 PSI. LAP BARS, 40 BAR DIAM. UNLESS OTHERWISE SHOWN.
- WELDED WIRE FABRIC SHALL HAVE A MINIMUM ULTIMATE STRENGTH OF 70,000 PSI AND SHALL CONFORM TO A.S.T.M. A-185.
- EXCAVATIONS SHALL BE KEPT FREE OF WATER. NO CONCRETE SHALL BE PLACED IN WATER.
- ALL SLABS ON GRADE SHALL HAVE THICKENINGS AT DEPRESSIONS, OPENINGS, ETC. AS REQUIRED OR AS SHOWN HERIN OR ON ARCHITECTURAL DRAWINGS.
- ALL MESH SHALL BE SPLICED SO THAT THE OVERLAP BETWEEN OUTERMOST CROSS WIRES OF EACH SHEET IS NOT LESS THAN THE SPACING OF THE CROSS WIRES PLUS TWO INCHES, UNLESS OTHERWISE SHOWN ON DRAWINGS.
- FOR ALL SLABS ON GRADE WHERE NOT OTHERWISE SPECIFIED, USE STYLE 4 x 4 - W4 x W4 W.W.F.
- ALL SLABS ON GRADE SHALL BE TROWELLED IN AT EVERY COLUMN LINE AND ELSEWHERE SHOWN ON FOUNDATION PLAN. SEE TYPICAL SLAB ON GRADE DETAIL FOR CONTROL JOINTS.

STRUCTURAL AND MISCELLANEOUS STEEL

- ALL STRUCTURAL AND MISCELLANEOUS STEEL SHALL CONFORM TO THE NINTH EDITION OF THE AISC "SPECIFICATION FOR THE DESIGN, FABRICATION AND ERECTION OF STRUCTURAL STEEL FOR BUILDINGS" AND ALL ITS SUPPLEMENTS, AND TO THE AISC "CODE OF STANDARD PRACTICE FOR STEEL BUILDINGS AND BRIDGES".
- ALL STRUCTURAL AND MISCELLANEOUS STEEL SHALL CONFORM TO ASTM A992 HAVING A MINIMUM YIELD STRENGTH OF 50,000 PSI.
- STEEL PIPES SHALL CONFORM TO ASTM A53, TYPE E OR S GRADE B.
- ALL WELDED CONNECTIONS SHALL BE DONE WITH E70XX ELECTRODES. ALL BOLTED CONNECTIONS SHALL USE 3/4" ASTM A325N HIGH STRENGTH BOLTS UNLESS NOTED OTHERWISE. ALL BEAM CONNECTIONS SHALL DEVELOP THE FULL UNIFORM LOAD CAPACITY THE MEMBER CAN CARRY WITH DUE CONSIDERATION TO CONCENTRATED LOADS AT THE ENDS OF THE MEMBER. NO CONNECTION SHALL BE MADE USING LESS THAN TWO BOLTS. ALL ANCHOR BOLTS SHALL BE ASTM A-307.
- SHOP AND FIELD WELDS SHALL BE MADE BY APPROVED CERTIFIED WELDERS AND SHALL CONFORM TO THE AMERICAN WELDING SOCIETY CODE FOR BUILDINGS AWS D1.1. WELDS SHALL DEVELOP THE FULL STRENGTH OF MATERIALS BEING WELDED, UNLESS OTHERWISE NOTED.
- NO OPENINGS IN BEAMS SHALL BE PERMITTED WITHOUT THE WRITTEN PERMISSION OF THE ENGINEER.
- THE USE OF A GAS-CUTTING TORCH IN THE FIELD FOR CUTTING HOLES OR FOR CORRECTING FABRICATION ERRORS WILL NOT BE PERMITTED ON NEW STRUCTURAL FRAMING MEMBERS EXCEPT WITH THE WRITTEN APPROVAL OF THE ENGINEER FOR EACH SPECIFIC CONDITION.

- THE USE OF A GAS-CUTTING TORCH IN THE FIELD FOR CUTTING HOLES OR FOR CORRECTING FABRICATION ERRORS WILL NOT BE PERMITTED ON NEW STRUCTURAL FRAMING MEMBERS EXCEPT WITH THE WRITTEN APPROVAL OF THE ENGINEER FOR EACH SPECIFIC CONDITION.
- ALL STRUCTURAL STEEL SHALL BE SHOP PAINTED WITH AN APPROVED CORROSION RESISTANT PRIMER. ALL STEEL SHALL BE PAINTED IN STRICT ACCORDANCE WITH THE AISC SPECIFICATIONS AND MANUFACTURER'S RECOMMENDATIONS. PRIOR TO PAINTING, ALL STEEL SURFACES SHALL BE PREPARED IN ACCORDANCE WITH SSPC. REFER TO SPECIFICATIONS SECTION 05120.
- ERECTED STRUCTURAL STEEL SHALL BE INSPECTED BY QUALIFIED INSPECTORS AS STIPULATED IN THE SPECIFICATIONS. FIELD INSPECTION REPORTS TO BE FILED WITH THE STRUCTURAL ENGINEER WITHIN 5 DAYS OF TIME OF ACTUAL INSPECTION. INSPECTORS MUST BE NOTIFIED OF ALL PHASES OF CONSTRUCTION AND WELDING BY GENERAL CONTRACTOR.

METAL DECKS

- ALL METAL DECKING SHALL BE DESIGNED, FABRICATED AND ERECTED IN ACCORDANCE WITH THE LATEST EDITION OF THE "SPECIFICATION OF THE STEEL DECK INSTITUTE".
- ALL METAL DECK SHALL BE GALVANIZED. ALL GALVANIZING SHALL CONFORM TO THE REQUIREMENTS OF ASTM A525, G60.
- METAL DECK SHALL BE AS FOLLOWS:
 - NON-COMPOSITE FLOOR DECK SHALL BE SIMILAR TO 1" 22 GAUGE STEEL FORM DECK EQUIVALENT TO VULCRAFT 1.0222 CSV CONFORM DECK SHALL HAVE THE FOLLOWING MINIMUM PROPERTIES PER FOOT WIDTH:

Ip = 0.073 IN4/FT.
In = 0.073 IN4/FT.
Sp = 0.130 IN3/FT.
Sn = 0.134 IN3/FT.
Fy = 60 Ksi

- ALL METAL DECKS HAVE BEEN DESIGNED TO BE CONTINUOUS OVER 2 SPANS MINIMUM, AND SHALL BEAR AT LEAST 2" ON STEEL SUPPORTS.
- DECK SHALL BE WELDED TO SUPPORTING STEEL AT ENDS OF UNITS AND ALL INTERMEDIATE SUPPORTS IN ACCORDANCE WITH MANUFACTURER'S RECOMMENDATIONS (UNLESS NOTED OTHERWISE ON PLAN).
- STANDARD CLOSURE SHALL BE PROVIDED AS REQUIRED.
- SHOP DRAWINGS SHALL INDICATE ALL INFORMATION NECESSARY FOR A COMPLETE FABRICATION AND ERECTION OF THE METAL DECK.
- PROVIDE STEEL HEADER FRAMES FOR SUPPORT OF METAL DECKING FOR ALL OPENINGS GREATER THAN 10" SQUARE.
- PROVIDE 12" x 16 GAUGE CONTINUOUS GALVANIZED STEEL BUTT STRIP WHERE DECK CHANGES DIRECTION.
- PROVIDE STEEL LEDGER ANGLE 2 1/2" x 2 1/2" x 1/4" AT STEEL COLUMNS AS REQUIRED FOR SUPPORT OF METAL DECKING.

LIGHT GAUGE METAL STUDS

- THE ENGINEERING OF ALL STRUCTURAL LIGHT GAUGE METAL STUD WALL INCLUDING THEIR CONNECTIONS AND LINTELS SHALL BE THE RESPONSIBILITY OF THE CONTRACTOR.
- ALL LIGHT GAGE METAL INFORMATION SHOWN ON THE DRAWINGS ARE BASED ON DIETRICH INDUSTRIES, INC. PRODUCTS.
- ALL LIGHT GAGE STUDS MUST BE MANUFACTURED WITH CORROSION RESISTANT STEEL OR GALVANIZED IN ACCORDANCE WITH ASTM A525.
- ALL MEMBERS SHALL MEET THE FOLLOWING REQUIREMENTS:

ALL 54 mil & HEAVIER MEMBERS - ASTM A446 GRADE D (50 KSI MIN.)
ALL 43 mil & LIGHTER MEMBERS - ASTM A446 GRADE A (33 KSI MIN.)
- ALL LOAD BEARING STUDS MUST BE SEATED TIGHT, WITHIN 1/16" AGAINST TRACK, WEB. ALSO, STUD MUST BE SCREW ATTACHED OR WELDED TO EACH TRACK LEG.
- ERECT FRAMING AND PANELS PLUMB, LEVEL AND SQUARE IN STRICT ACCORDANCE WITH THE APPROVED SHOP DRAWINGS.
- HANDLING AND LIFTING OF PREFABRICATED PANELS SHALL BE DONE IN A MANNER AS TO NOT CAUSE DISTORTION IN ANY MEMBER.
- TRACK SHALL BE SECURELY ANCHORED TO THE SUPPORTING STRUCTURE AS SHOWN ON THE ERECTION DRAWINGS. CONCRETE ANCHORS SHALL BE INSTALLED AFTER FULL COMPRESSIVE STRENGTH HAS BEEN ACHIEVED.
- ALL TRACK BUTT JOINTS, ABUTTING PIECES OF TRACK SHALL BE SECURELY ANCHORED TO A COMMON STRUCTURAL ELEMENT, OR THEY SHALL BE BUTT-WELDED OR SPLICED TOGETHER.
- STUDS SHALL BE PLUMBED, ALIGNED AND SECURELY ATTACHED TO THE FLANGE OR WEBS OF BOTH UPPER AND LOWER TRACKS.
- JACK STUDS OR CRIPPLES SHALL BE INSTALLED BELOW WINDOW SILLS, ABOVE WINDOW AND DOOR HEADS, AT FREE STANDING STAIR RAILS AND ELSEWHERE TO FURNISH SUPPORT AND SHALL BE SECURELY ATTACHED TO SUPPORTING MEMBERS.
- FRAMED OPENINGS SHALL INCLUDE HEADERS AND SUPPORTING STUDS AS SHOWN ON SHOP DRAWINGS.
- TEMPORARY BRACING SHALL BE PROVIDED UNTIL ERECTION IS COMPLETED.
- PROVIDE HORIZONTAL BRIDGING FOR ALL STUDS AT 48 INCH. ON CENTER, OR PER MANUFACTURER'S RECOMMENDATION.

DESIGN CODE

2018 EDITION OF THE INTERNATIONAL BUILDING CODE.

FLOOR LIVE LOAD

SLAB ON GRADE = 150 PSF
MECHANICAL ROOM = 150 PSF, SECOND FLOOR = 70 PSF.

ROOF LIVE LOAD

30 PSF

ROOF SNOW LOAD

GROUND SNOW LOAD, Pg = 25 PSF
FLAT ROOF SNOW LOAD, Pf = 18 PSF
SNOW EXPOSURE FACTOR, Ce = 1.0
SNOW LOAD IMPORTANCE FACTOR, Is = 1.0
THERMAL FACTOR, Ct = 1.0

WIND LOAD

BASIC WIND SPEED = 120 MPH
WIND LOAD IMPORTANCE FACTOR, Iw = 1.0
WIND EXPOSURE FACTOR = C
INTERNAL PRESSURE COEFFICIENTS = +0.18, -0.18
COMPONENTS AND CLADDING = 25 PSF

EARTHQUAKE DESIGN DATA

SEISMIC IMPORTANCE FACTOR, Ie = 1.0
OCCUPANCY CATEGORY = GROUP II
MAPPED SPECTRAL RESPONSE ACCELERATIONS Ss = 0.184g, S1 = 0.063g
SITE CLASS = D
SPECTRAL RESPONSE COEFFICIENTS, Sds = 0.196, Sd1 = 0.101
SEISMIC DESIGN CATEGORY = B
BASIC SEISMIC FORCE RESISTING SYSTEM = STRUCTURAL STEEL SYSTEM NOT SPECIFICALLY DETAILED FOR SEISMIC RESISTANCE
DESIGN BASE SHEAR = 30 KIPS
SEISMIC RESPONSE COEFFICIENT = 0.065
RESPONSE MODIFICATION FACTOR, R = 3.5
ANALYSIS PROCEEDURE USED = EQUIVALENT LATERAL FORCE PROEDURE

ASSUMED SOIL BEARING CAPACITY

2,000 PSF

SUBMITALS

SHOP DRAWINGS FOR ALL STRUCTURAL ITEMS MENTIONED ABOVE ARE PART OF THE STRUCTURAL DESIGN OF THIS PROJECT AND MUST BE SUBMITTED AND REVIEWED BY OUR OFFICE. IF THE CONTRACTOR OR OWNER FAILS TO SUBMIT SHOP DRAWINGS FOR OUR REVIEW PRIOR TO BEGINNING OF CONSTRUCTION WORK, EMMANUEL ANSA, P.E. WILL NOT BE RESPONSIBLE FOR THE STRUCTURAL DESIGN OF THIS PROJECT. THE CONTRACTOR OR OWNER IS REQUIRED TO SUBMIT SHOP DRAWINGS AND CALCULATIONS (IF ANY) FOR THE FOLLOWING ITEMS TO THE STRUCTURAL ENGINEER OF THE PROJECT FOR REVIEW PRIOR TO FABRICATION OR CONSTRUCTION OF THESE ITEMS:

- CONCRETE MIX DESIGN ACCORDING TO ACI REQUIREMENTS.
- STRUCTURAL STEEL
- METAL DECK
- EXTERIOR WALL LIGHT GAGE METAL STUD WALL AND PARAPET SYSTEM.

ITEMS IDENTIFIED WITH AN ASTERISK SHALL HAVE THEIR DRAWINGS AND CALCULATIONS SIGNED AND SEALED BY A PROFESSIONAL ENGINEER IN THE LOCAL CODE JURISDICTION.

THE REVIEW OF SHOP DRAWINGS BY THE STRUCTURAL ENGINEER DOES NOT RELIEVE THE CONTRACTOR, SUBCONTRACTOR OR FABRICATOR THE RESPONSIBILITY OF MEETING THE REQUIREMENTS OF THE ENTIRE DESIGN DOCUMENTS OF THIS PROJECT INCLUDING THE ARCHITECTURAL DRAWINGS AND OTHER DISCIPLINES. A MINIMUM OF TWO WEEKS SHALL BE ALLOWED FOR THE STRUCTURAL ENGINEER TO REVIEW ANY SUBMITTAL.

STEEL STAIRS

- SEE SPECIFICATIONS.
- STAIR SUPPLIER SHALL DESIGN ALL STAIR FRAMING INCLUDING RAILINGS TO SUPPORT THE FOLLOWING LOADS:

STAIRS - DEAD LOAD - AS REQUIRED BY CONSTRUCTION
LIVE LOAD - 100 PSF OR 300 POUND
CONCENTRATED LOAD AT CENTER OF TREND
RAILINGS - 50 POUNDS PER LINEAR FOOT OR 200 POUNDS
CONCENTRATED LOAD APPLIED IN ANY
DIRECTION.
- SUBMIT COMPLETE SHOP AND ERECTION DRAWINGS FOR REVIEW PRIOR TO FABRICATION OR ERECTION. STAIR SUPPLIER'S SHOP DRAWINGS SHALL CONTAIN A CERTIFICATION SEALED BY A REGISTERED PROFESSIONAL ENGINEER STATING THAT THE STAIR AND RAILING COMPONENTS HAVE BEEN DESIGNED TO SUPPORT THE SPECIFIED LOADS.

EXISTING CONSTRUCTION

- EXISTING CONDITIONS INDICATED ON THE DRAWINGS ARE BASED ON INFORMATION FROM THE ARCHITECT OF THE PROJECT. CONTRACTOR SHALL VERIFY AND COORDINATE EXISTING CONDITIONS AND DIMENSIONS PRIOR TO PROCEEDING WITH WORK. SHOULD SIGNIFICANT DIFFERENCES BE FOUND BETWEEN GIVEN CONDITIONS AND ACTUAL FIELD CONDITIONS, THE ARCHITECT SHALL BE NOTIFIED BEFORE PROCEEDING WITH WORK. REMOVE EXISTING CONSTRUCTION AS REQUIRED TO INSTALL NEWWORK. THE CONTRACTOR SHALL BE RESPONSIBLE FOR ANY DAMAGE TO ADJACENT EXISTING ELEMENTS AND SHALL PROVIDE ADEQUATE REPAIRS NECESSARY TO RESTORE TO ORIGINAL CONDITION AT THE CONTRACTORS EXPENSE, WITHOUT ANY COST TO THE OWNER.
- DIMENSIONS SHOWN ON THE STRUCTURAL DRAWINGS ARE GENERALLY OBTAINED FROM THE ARCHITECT AND ARE INCLUDED AS INFORMATION COMPLIMENTARY TO THE ARCHITECTURAL DRAWINGS. GENERALLY, ARCHITECTURAL DIMENSIONS WILL GOVERN OVER STRUCTURAL DIMENSIONS. LAYOUT OF BUILDING FOUNDATIONS OR OTHER ITEMS MAY BE MADE USING THE DIMENSIONS SHOWN ON THE STRUCTURAL DRAWINGS ONLY IF THE CONTRACTOR HAS CAREFULLY STUDIED AND COMPARED THESE DRAWINGS WITH THE ARCHITECTURAL DRAWINGS AND HAS RECEIVED CLARIFICATION FROM THE ARCHITECT, REGARDING ANY ERRORS, INCONSISTENCIES OR OMISSIONS. ITEMS INSTALLED INCORRECTLY, DUE TO THE CONTRACTOR'S LACK OF SUCH VERIFICATION, SHALL BE CORRECTED AT THE CONTRACTORS



THIS DRAWING, AS AN INSTRUMENT OF SERVICE, IS AND SHALL REMAIN THE PROPERTY OF THE ARCHITECT AND SHALL NOT BE REPRODUCED, PUBLISHED OR USED IN ANY WAY WITHOUT THE PERMISSION OF THE ARCHITECT.
Copyright © 2022 by Syntony Design Collaborative, LLC

Drawing Revisions:

- PLAN REVIEW COMMENTS
10.07.22

Drawing Date: 09/20/2022
Project number: 220001
Drawn By: TS
Checked By: EA

GEORGIA MOUNTAIN FOOD BANK
1642 CALVARY INDUSTRIAL DRIVE SW
GAINESVILLE, GA 30607

Drawing Description:

STRUCTURAL
GENERAL NOTES

S100



PERMIT SET. RELEASED OR
ISSUED FOR CONSTRUCTION.

GEORGIA MOUNTAIN FOOD BANK - 1642 CALVARY INDUSTRIAL DRIVE SW, GAINESVILLE, GA 30607
 EMMANUEL ANSA, P.E. - REGISTERED PROFESSIONAL ENGINEER, No. PE031446, STATE OF GEORGIA
 This drawing is the property of Syntony Design Collaborative, LLC. It is to be used only for the project and location specified on the title block. It is not to be used for any other project or location without the written consent of Syntony Design Collaborative, LLC.

PERMIT SET. RELEASED OR ISSUED FOR CONSTRUCTION.

STRUCTURAL ENGINEER
 EMMANUEL ANSA, PE, SE
 P.O. BOX 142318
 FAYETTEVILLE, GA. 30215
 Email: eansa@comcast.net

PLAN NOTES :

1. THE TOP OF THE FIRST FLOOR ELEVATION SHALL BE AS INDICATED IN THE CIVIL AND ARCHITECTURAL DRAWINGS. THIS ELEVATION SHALL EQUAL 0.00', THE REFERENCED DATUM IN THE STRUCTURAL PLANS.
2. THE CONTRACTOR SHALL RETAIN A SOIL INSPECTION AGENCY TO PERFORM SOIL INSPECTION AND VERIFY THE COMPACTION WORK AND TYPE OF SOIL USED FOR THE FOUNDATION. THE FOOTING FOR THIS BUILDING WAS DESIGNED BASED ON AN ASSUMED SOIL BEARING CAPACITY OF 2000 PSF.
3. FOR SIZE AND LOCATION OF FLOOR OPENINGS, SLOPES, RAISED AREAS, ETC. NOT SHOWN ON THIS DRAWING, SEE ARCH./MECH. AND ELECT. DRAWINGS.
4. THE SLAB ON GRADE SHALL BE 5" THICK CONC. SLAB REINFORCED WITH 4 X 4 - W4 X W4 W.W.M. PLACED ON 15 MIL VAPOR BARRIER, OVER 6" CLEANED GRAVEL OR CRUSHED STONE, UNLESS NOTED OTHERWISE ON PLAN.
5. ALL UTILITY PIPES SHOULD PENETRATE THE FOUNDATION WALL ABOVE THE TOP OF THE FOOTING. LOWER FOOTING WHEN NECESSARY TO PLACE PIPE ON TOP OF FOOTING.
6. CONTRACTOR MUST FIRST VERIFY ALL DIMENSIONS OF THE BUILDING GEOMETRY FROM THE ARCHITECTURAL DIMENSION PLAN BEFORE STARTING THE FOUNDATION CONSTRUCTION.
7. USE THIS DRAWING IN CONJUNCTION WITH:
 - (a) STRUCTURAL NOTES ON DWG. S100
 - (b) SECTIONS AND DETAILS ON DWGS. S200 TO S205
 - (c) ENTIRE CONTRACT DOCUMENTS ON THIS PROJECT



THIS DRAWING, AS AN INSTRUMENT OF SERVICE, IS AND SHALL REMAIN THE PROPERTY OF THE ARCHITECT AND SHALL NOT BE REPRODUCED, PUBLISHED OR USED IN ANY WAY WITHOUT THE PERMISSION OF THE ARCHITECT.
 Copyright © 2022 by Syntony Design Collaborative, LLC

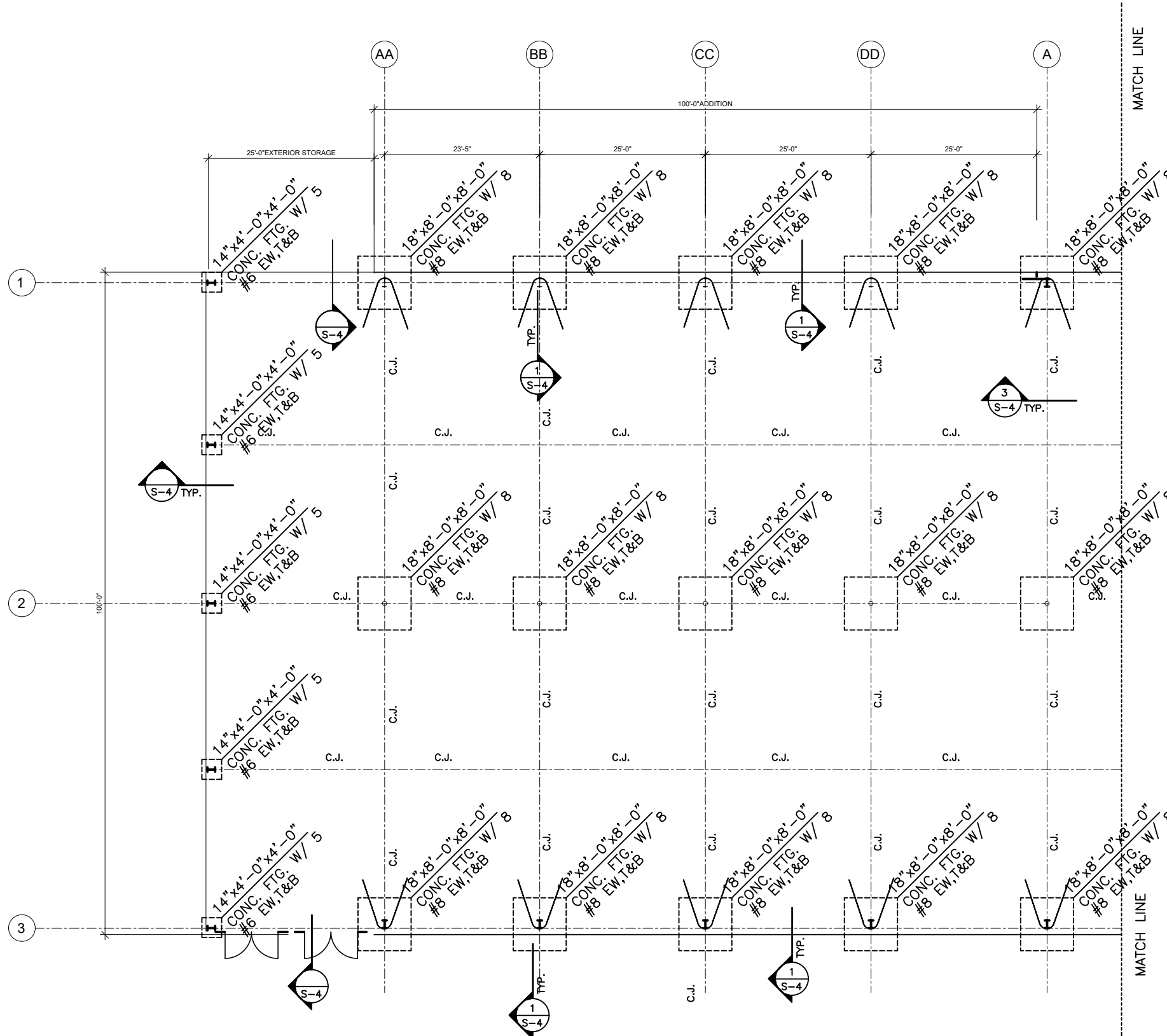
Drawing Revisions:
 1 PLAN REVIEW COMMENTS
 10.07.22

Drawing Date: 09/20/2022
Project number: 220001
Drawn By: TS
Checked By: EA

GEORGIA MOUNTAIN FOOD BANK
 1642 CALVARY INDUSTRIAL DRIVE SW
 GAINESVILLE, GA 30607

Drawing Description:
 FOUNDATION/FIRST FLOOR PLAN

S101



FOUNDATION / FIRST FLOOR PLAN

SCALE: 1/8" = 1'-0"



I, the undersigned, do hereby certify that I am a duly licensed and registered professional engineer in the State of Georgia, and that I am the author of the above drawings, and that I am not aware of any falsification of the same.

PERMIT SET. RELEASED OR ISSUED FOR CONSTRUCTION.

STRUCTURAL ENGINEER
EMMANUEL ANSA, PE, SE
P.O. BOX 142318
FAYETTEVILLE, GA. 30215
Email: eansa@comcast.net



THIS DRAWING, AS AN INSTRUMENT OF SERVICE, IS AND SHALL REMAIN THE PROPERTY OF THE ARCHITECT AND SHALL NOT BE REPRODUCED, PUBLISHED OR USED IN ANY WAY WITHOUT THE PERMISSION OF THE ARCHITECT.
Copyright © 2022 by Syntony Design Collaborative, LLC

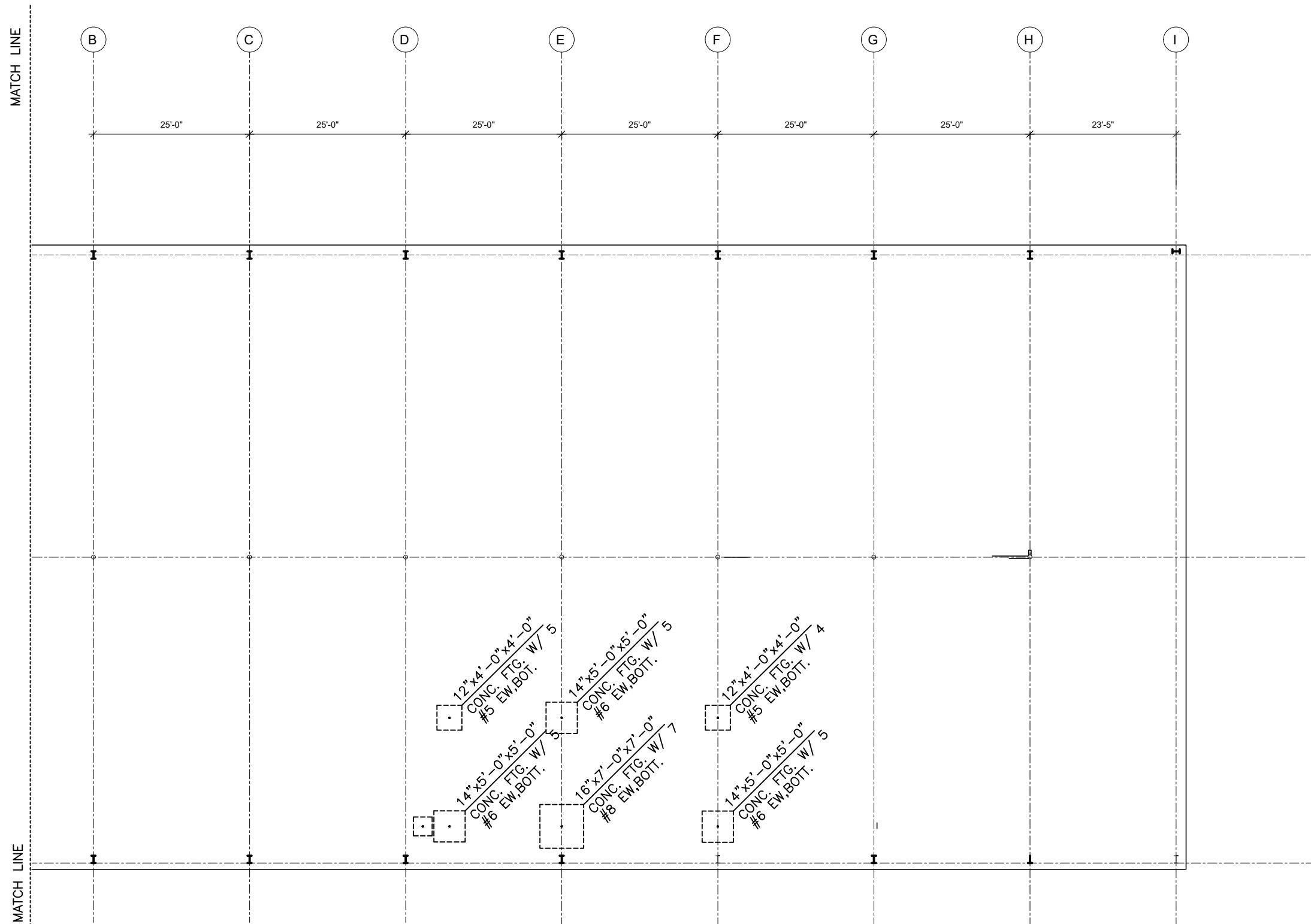
Drawing Revisions:
1 PLAN REVIEW COMMENTS
10.07.22

Drawing Date: 09/20/2022
Project number: 220001
Drawn By: TS
Checked By: EA

GEORGIA MOUNTAIN FOOD BANK
1942 CALVARY INDUSTRIAL DRIVE SW
GAINESVILLE, GA 30607

Drawing Description:
FOUNDATION/FIRST FLOOR PLAN

S102



FOUNDATION / FIRST FLOOR PLAN

SCALE: 1/8" = 1'-0"



By reviewing the plans, the reviewer, design professional, contractor or their representative, assumes full responsibility to comply with all local, state and federal codes and standards in effect at time of permit issuance. Our review is not a substitute for every item and does not prevent the applicant from requiring corrections during construction. Any changes/alterations to approved plans shall be approved to avoid voiding the permit.



PERMIT SET. RELEASED OR ISSUED FOR CONSTRUCTION.

STRUCTURAL ENGINEER
 EMMANUEL ANSA, PE, SE
 P.O. BOX 142318
 FAYETTEVILLE, GA. 30215
 Email: eansa@comcast.net



THIS DRAWING, AS AN INSTRUMENT OF SERVICE, IS AND SHALL REMAIN THE PROPERTY OF THE ARCHITECT AND SHALL NOT BE REPRODUCED, PUBLISHED OR USED IN ANY WAY WITHOUT THE PERMISSION OF THE ARCHITECT.
 Copyright © 2022 by Syntony Design Collaborative, LLC

Drawing Revisions:
 1 PLAN REVIEW COMMENTS
 10.07.22

Drawing Date: 09/20/2022
Project number: 220001
Drawn By: TS
Checked By: EA

GEORGIA MOUNTAIN FOOD BANK
 1842 CALVARY INDUSTRIAL DRIVE SW
 GAINESVILLE, GA 30607

Drawing Description:
 SECOND FLOOR FRAMING PLAN

S103

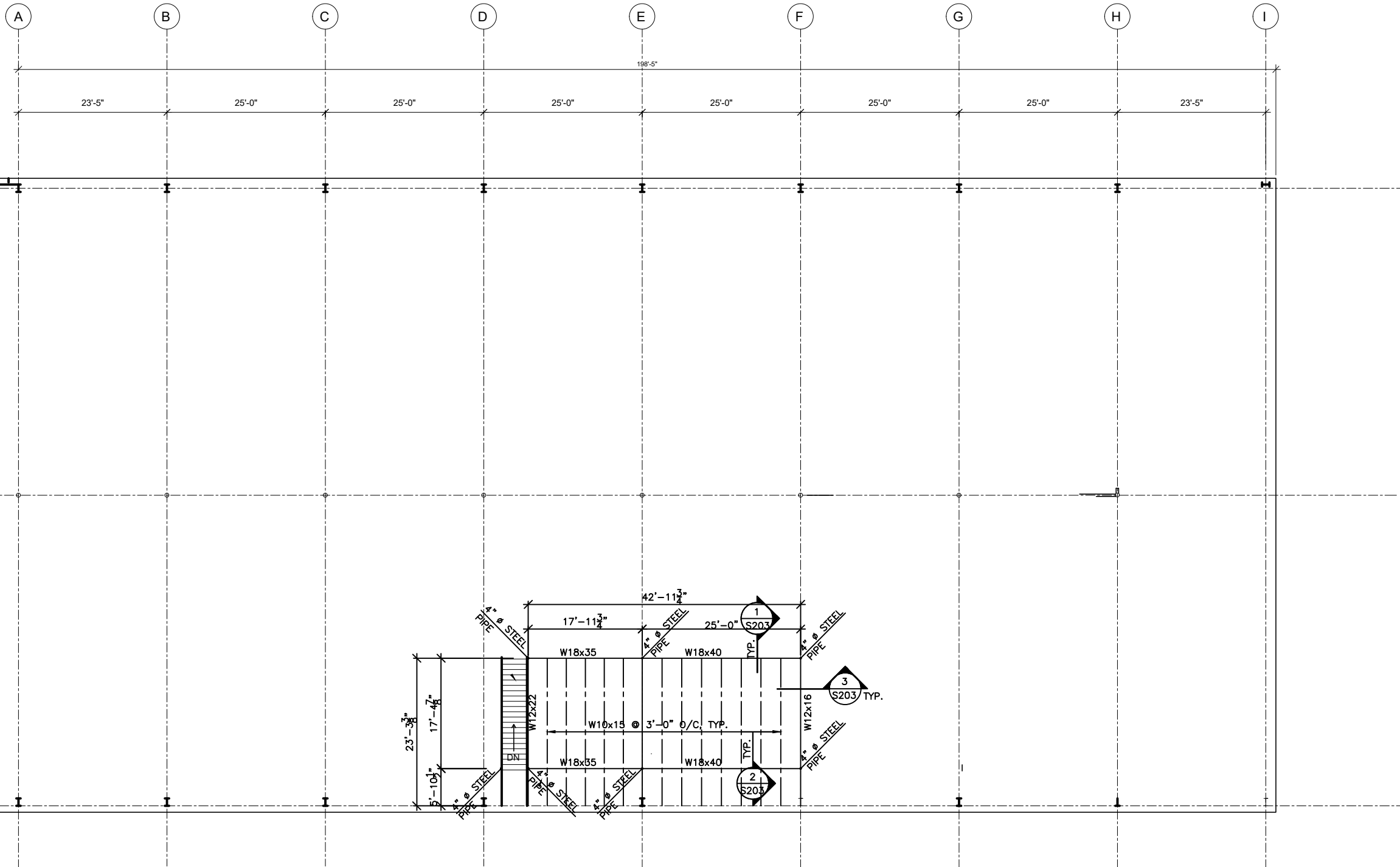
MATCH LINE

1

2

3

MATCH LINE



PLAN NOTES :

1. PROPOSED SECOND FLOOR CONSTRUCTION SHALL BE 3" CONCRETE TOPPING ON 1"x 22 GA. FORM DECK SIMILAR TO VULCRAFT 1.0C22 WITH 4x4-W2.9xW2.9 WWM.
2. CONTRACTOR SHALL OBTAIN THE EXACT LOCATION OF FLOOR OPENINGS FROM THE MECH. DWGS.
3. USE THIS DRAWING IN CONJUNCTION WITH:
 - (a) STRUCTURAL NOTES ON DWG. S100
 - (b) PLANS, SECTIONS AND DETAILS ON DWGS. S200 TO S205
 - (c) ENTIRE CONTRACT DOCUMENTS ON THIS PROJECT



SECOND FLOOR FRAMING PLAN

SCALE : 1/8" = 1'-0"

I hereby certify that the above is a true and correct copy of the original drawings as shown to me by the architect. I am not responsible for any errors or omissions in the drawings or for any consequences that may result from the use of these drawings. My review is not a guarantee of the accuracy of the information provided. Any changes or modifications to the drawings shall be approved by me before construction.



PERMIT SET. RELEASED OR ISSUED FOR CONSTRUCTION.

STRUCTURAL ENGINEER
EMMANUEL ANSA, PE, SE
P.O. BOX 142318
FAYETTEVILLE, GA. 30215
Email: eansa@comcast.net



THIS DRAWING, AS AN INSTRUMENT OF SERVICE, IS AND SHALL REMAIN THE PROPERTY OF THE ARCHITECT AND SHALL NOT BE REPRODUCED, PUBLISHED OR USED IN ANY WAY WITHOUT THE PERMISSION OF THE ARCHITECT.
Copyright © 2022 by Syntony Design Collaborative, LLC

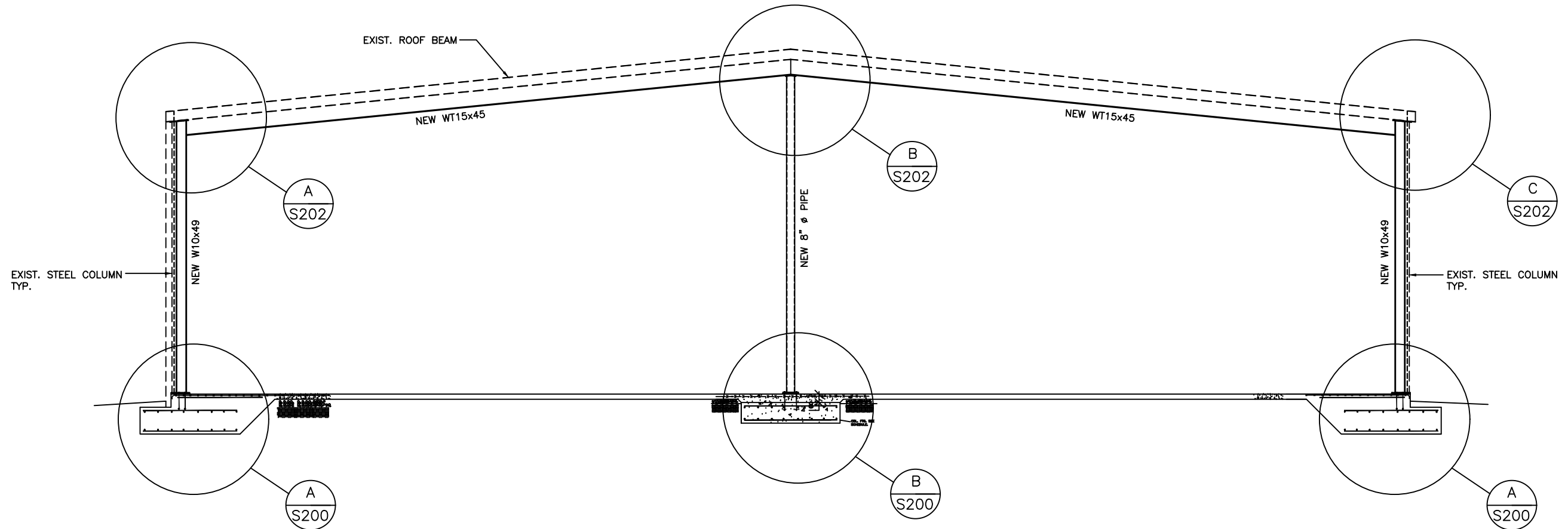
Drawing Revisions:
1 PLAN REVIEW COMMENTS
10.07.22

Drawing Date: 09/20/2022
Project number: 220001
Drawn By: TS
Checked By: EA

GEORGIA MOUNTAIN FOOD BANK
1642 CALVARY INDUSTRIAL DRIVE SW
GAINESVILLE, GA 30607

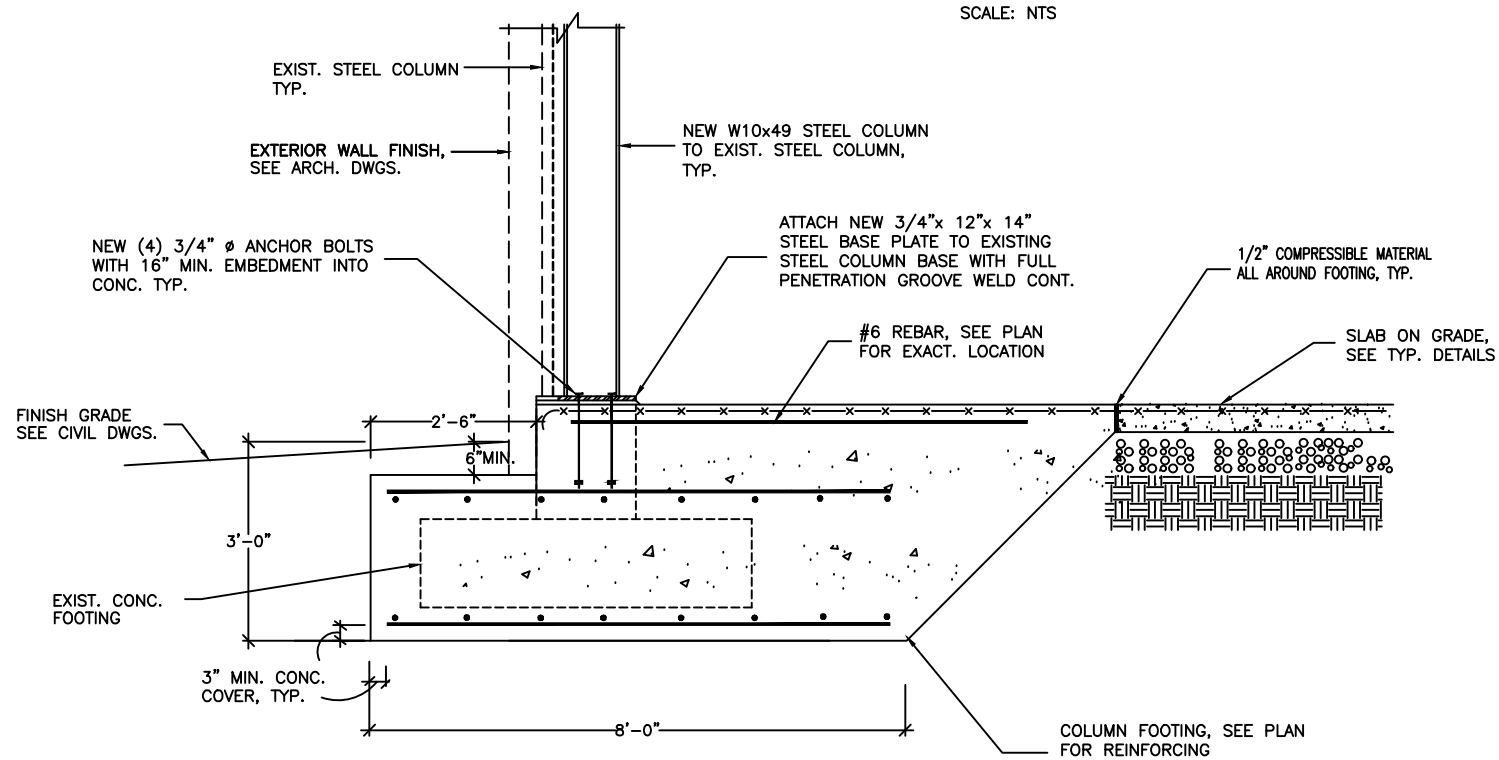
Drawing Description:
ELEVATION AND DETAILS

S200



REINFORCEMENT OF EXISTING STEEL FRAME ALONG GRID LINE A

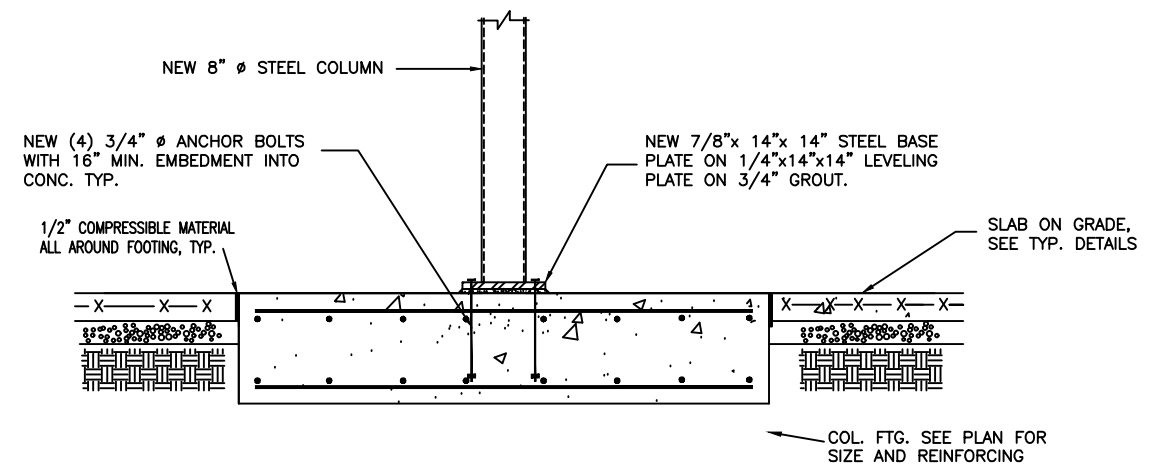
SCALE: NTS



EXTERIOR FOOTING FOR COLUMN REINFORCEMENT ALONG LINE A

SCALE: 3/4"=1'-0"

NOTE: CONTRACTOR SHALL FIRST VERIFY THE SIZE OF EXISTING FOOTING AT COLUMN LINE A AND INFORM THE STRUCTURAL ENGINEER BEFORE CONSTRUCTION SO THIS DETAIL CAN BE REVISED ACCORDINGLY DEPENDING ON THE SIZE OF THE EXISTING FOOTING.



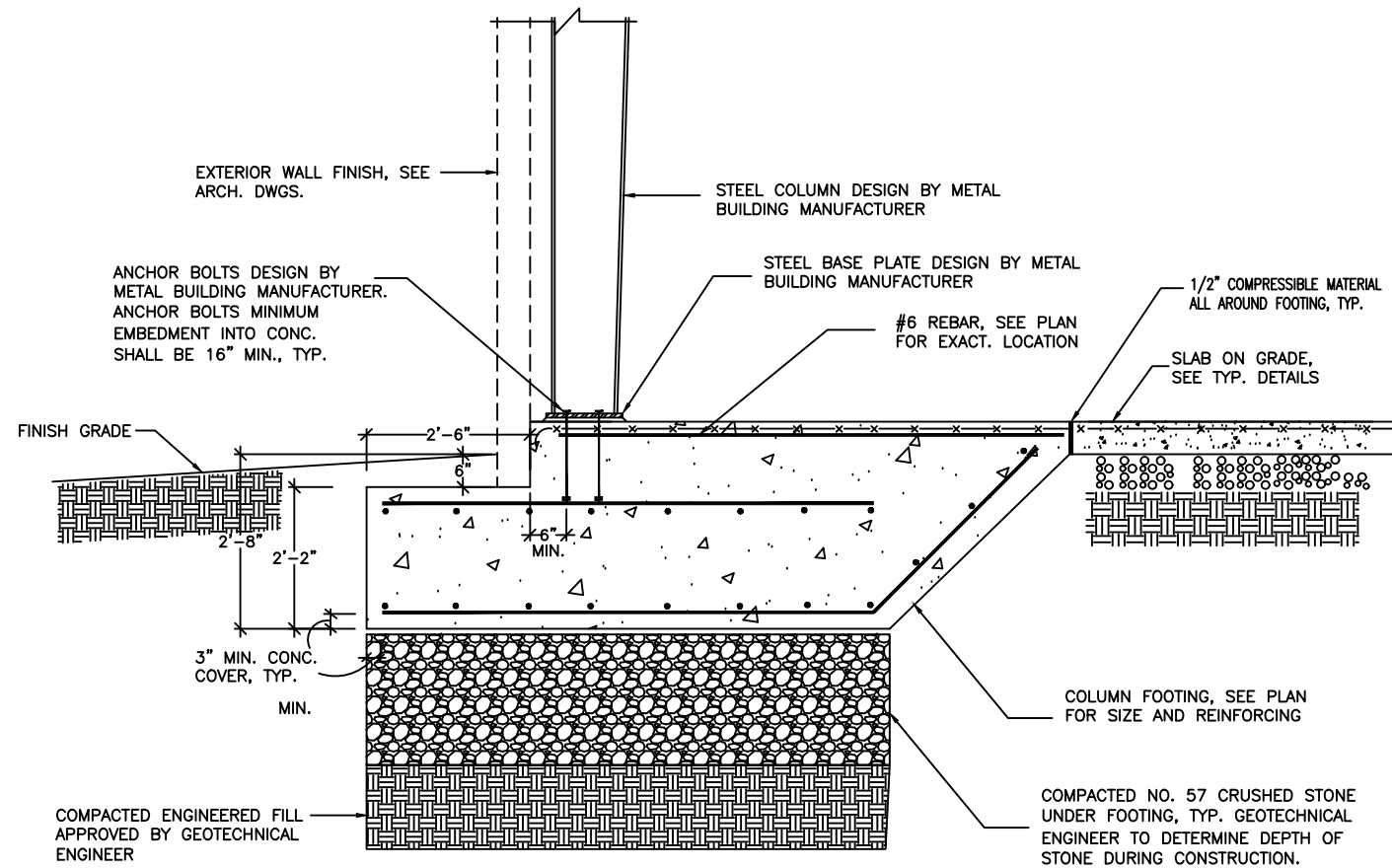
FOOTING FOR NEW INTERIOR COLUMN ALONG GRID LINE A

SCALE: 3/4"=1'-0"



By reviewing the drawings for Code Compliance, the reviewer, design professional, associations or their representatives from the responsibility to comply with all local, state and federal codes and standards in effect at time of permit issuance. Our review is not a substitute of every item and does not prevent the applicant from requiring corrections during construction. Any changes/alterations to approved plans shall be approved to avoid violating the permit.

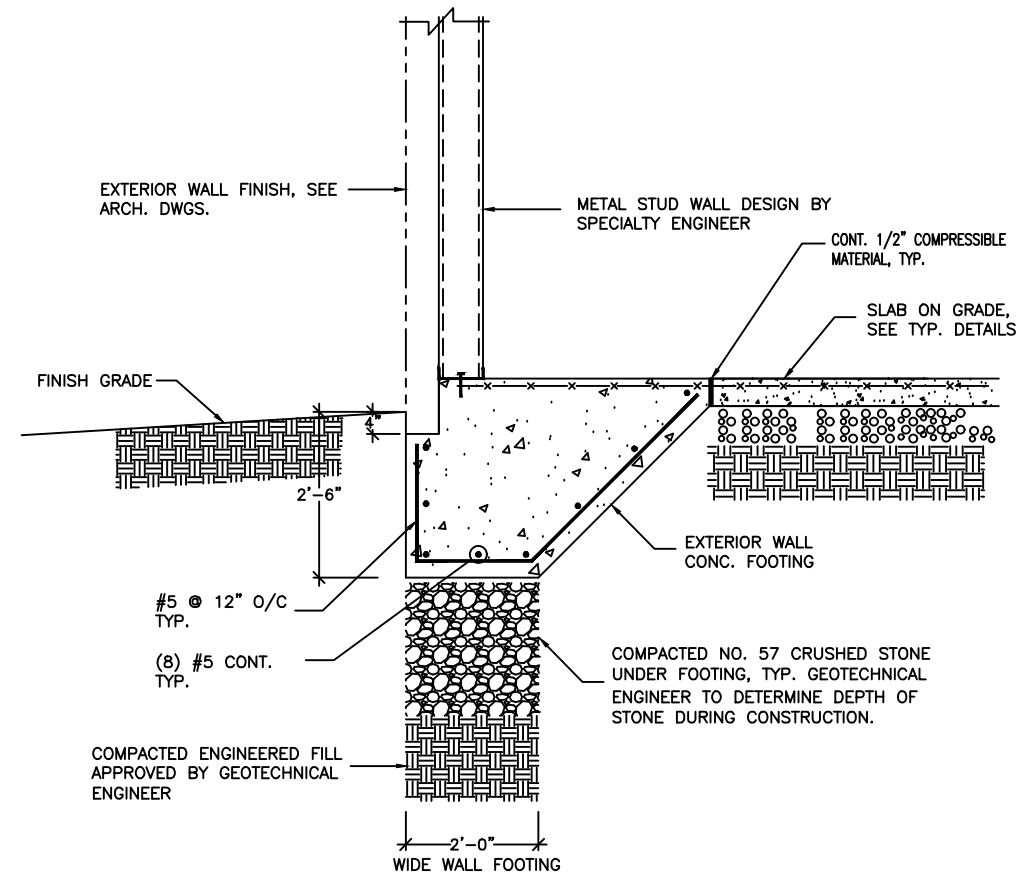




SECTION - NEW EXTERIOR COLUMN FOUNDATION

SCALE: 3/4"=1'-0"

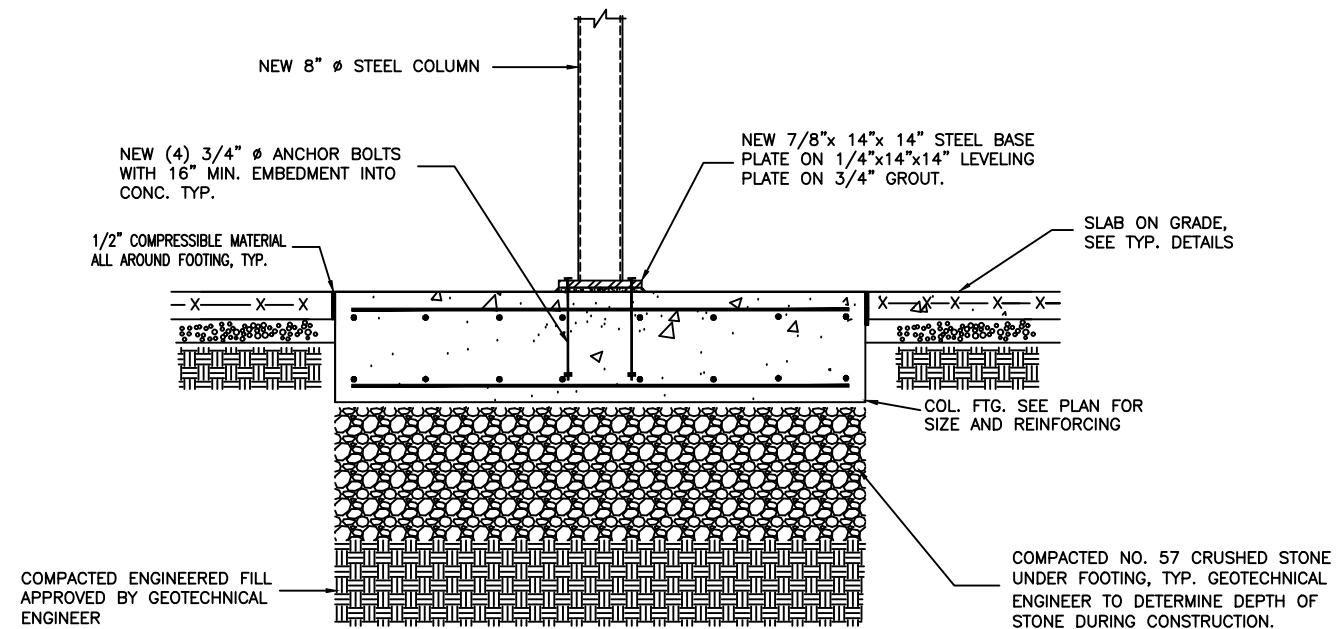
1



SECTION - NEW EXTERIOR WALL FOUNDATION

SCALE: 3/4"=1'-0"

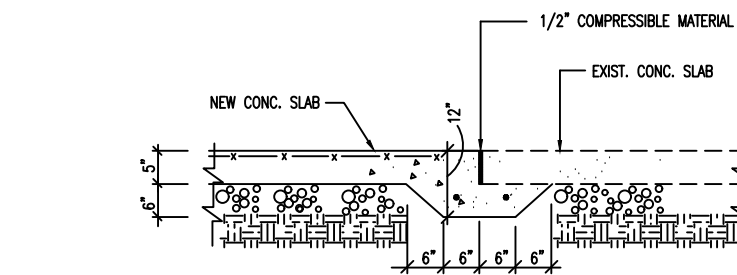
2



DETAIL - NEW INTERIOR COLUMN FOOTING

SCALE: 3/4"=1'-0"

A



SECTION AT NEW AND EXISTING CONCRETE SLAB LINE

SCALE: 3/4"=1'-0"

3

PERMIT SET. RELEASED OR ISSUED FOR CONSTRUCTION.



By reviewing the drawings for Code Compliance, the reviewer, design professional, associations or their representatives from the responsible to comply with all local, state and federal codes and standards in effect at time of permit issuance. Our review is not a substitute of every item and does not prevent the applicant from requiring corrections during construction. Any changes/modifications to approved plans shall be approved to avoid working the permit.





THIS DRAWING, AS AN INSTRUMENT OF SERVICE, IS AND SHALL REMAIN THE PROPERTY OF THE ARCHITECT AND SHALL NOT BE REPRODUCED, PUBLISHED OR USED IN ANY WAY WITHOUT THE PERMISSION OF THE ARCHITECT.
 Copyright © 2022 by Syntony Design Collaborative, LLC.

Drawing Revisions:
 1 PLAN REVIEW COMMENTS
 10.07.22

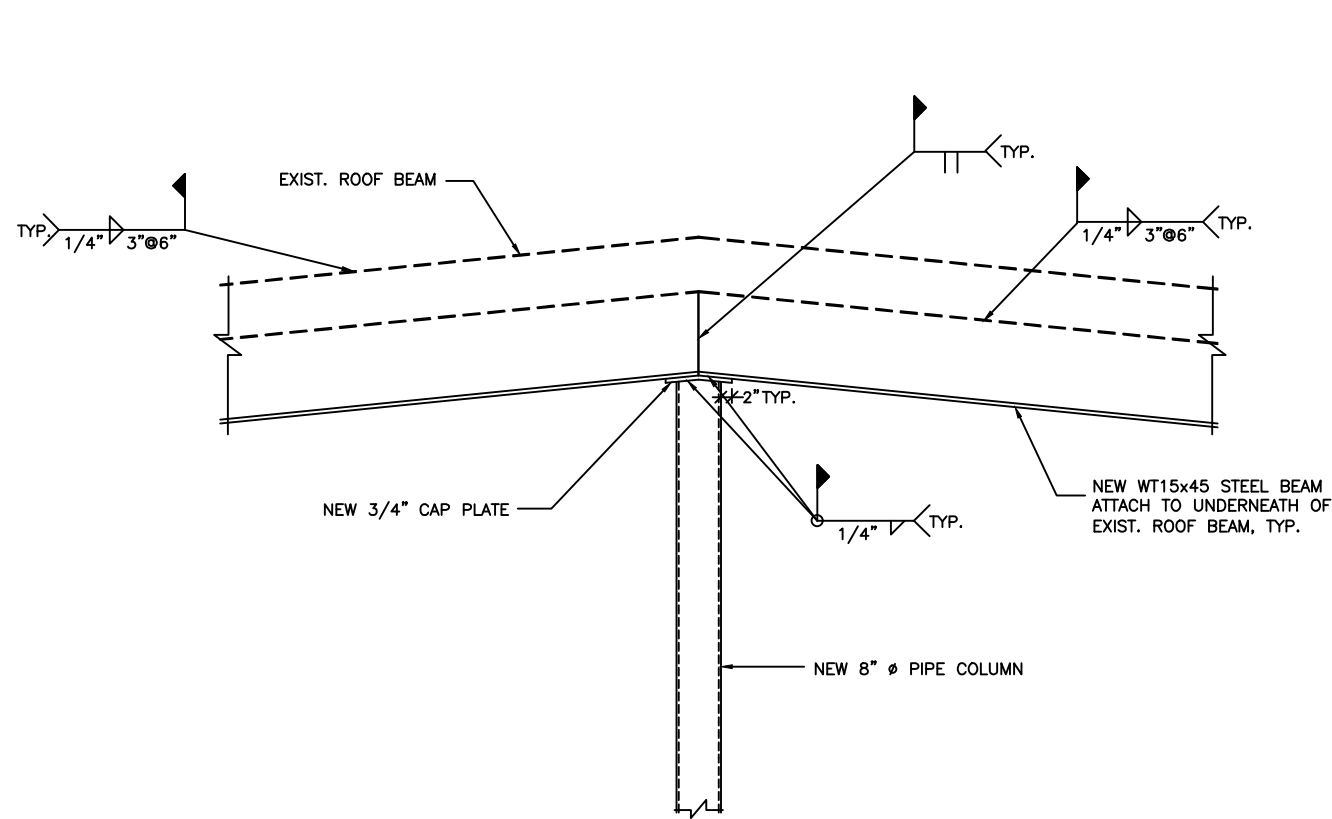
Drawing Date: 09/20/2022
 Project number: 220001
 Drawn By: TS
 Checked By: EA

GEORGIA MOUNTAIN FOOD BANK
 1942 CALVARY INDUSTRIAL DRIVE SW
 GAINESVILLE, GA 30607

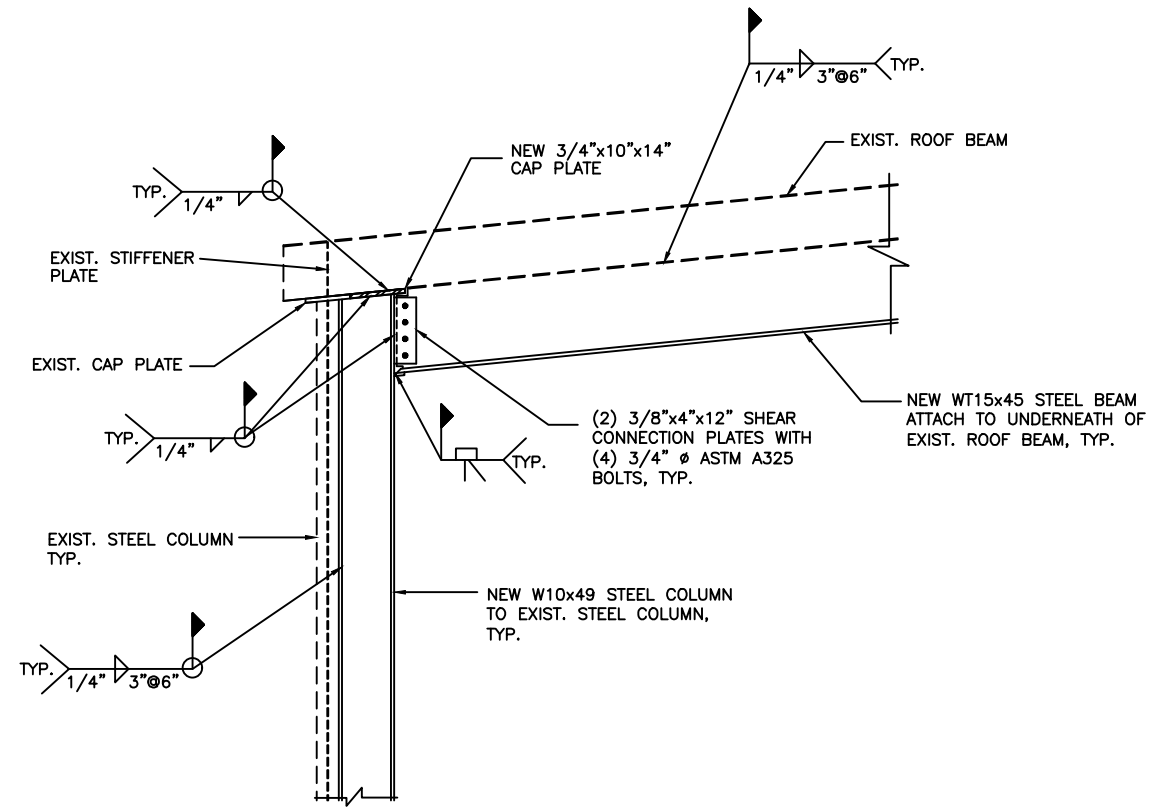
Drawing Description:

SECTION AND DETAILS

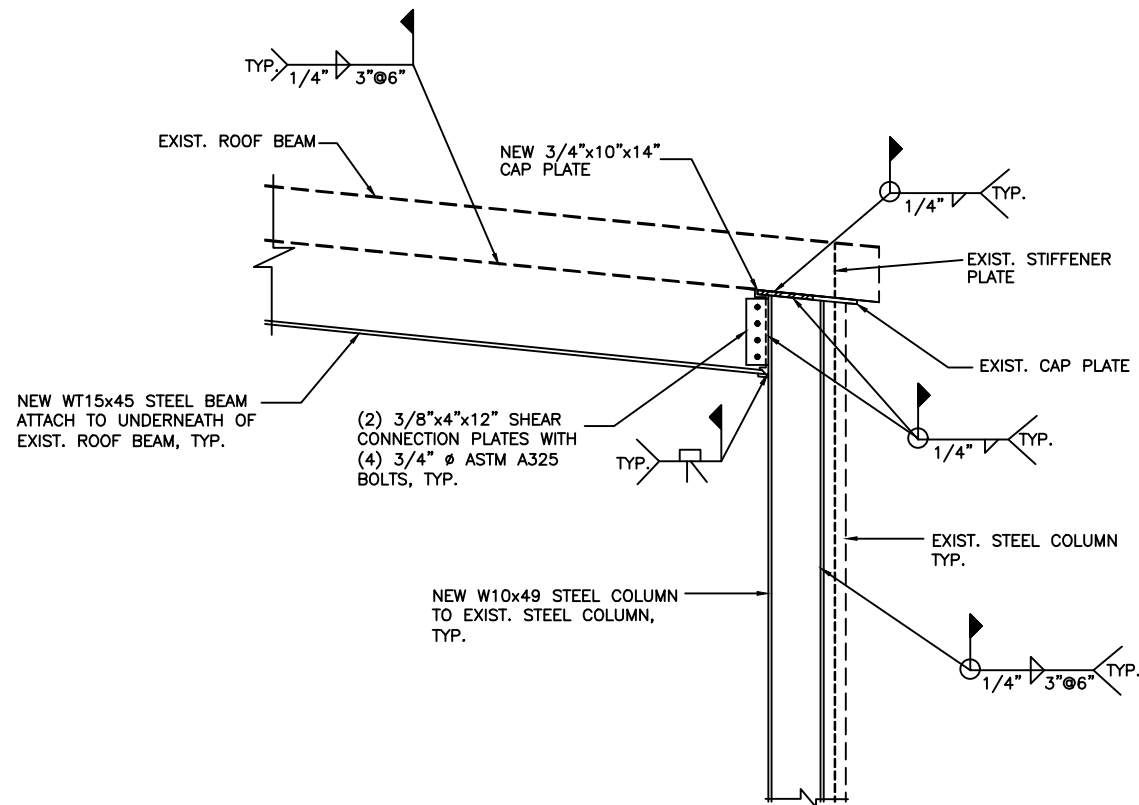
S202



DETAIL B
 SCALE: 3/4"=1'-0"



DETAIL A
 SCALE: 3/4"=1'-0"



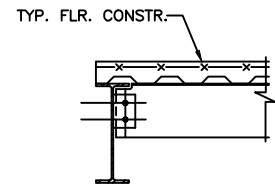
DETAIL C
 SCALE: 3/4"=1'-0"

**PERMIT SET. RELEASED OR
 ISSUED FOR CONSTRUCTION.**



I, the undersigned, hereby certify that the above is a true and correct copy of the original drawings as submitted to the City of Fayetteville, Georgia, for the purpose of obtaining a permit for construction. My review is not a guarantee of the accuracy of the information provided. Any changes or alterations to the drawings shall be approved by the permit authority.

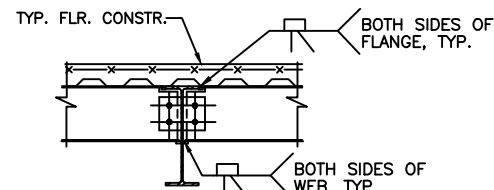




SECTION 1

SCALE: 3/4" = 1'-0"

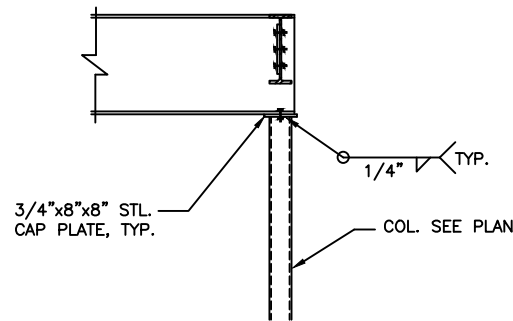
1



SECTION 2

SCALE: 3/4" = 1'-0"

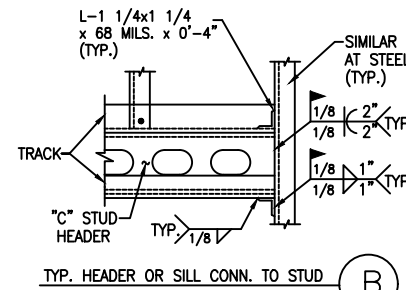
2



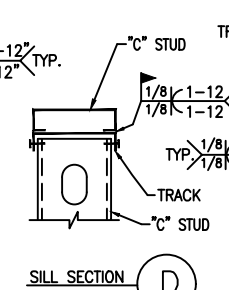
TYPICAL DETAIL : STEEL BEAM ON PIPE COLUMN

SCALE : 3/4" = 1'-0"

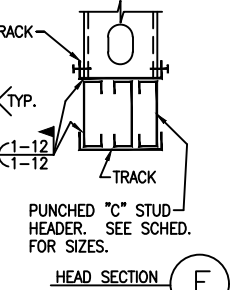
A



JAMB SECTION B

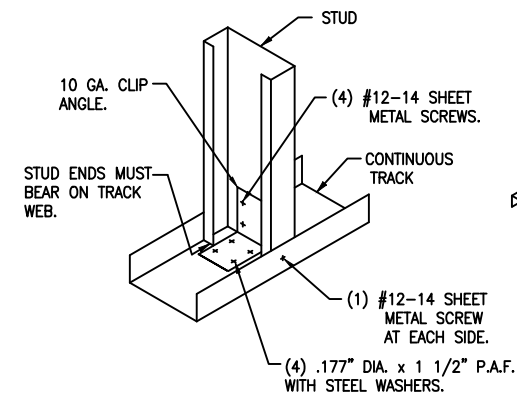


SILL SECTION C



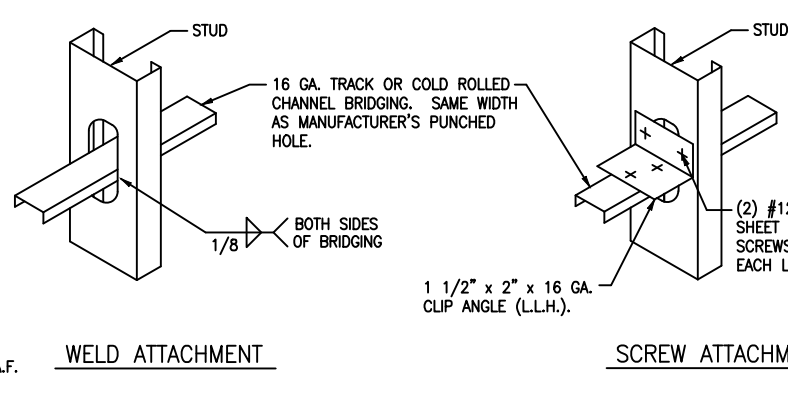
HEAD SECTION D

PUNCHED "C" STUD HEADER. SEE SCHED. FOR SIZES.



SINGLE STUD ATTACHMENT SCREW CONNECTION

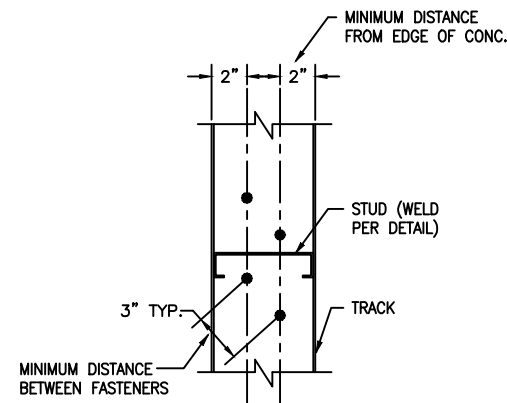
F



STUD BRIDGING DETAIL

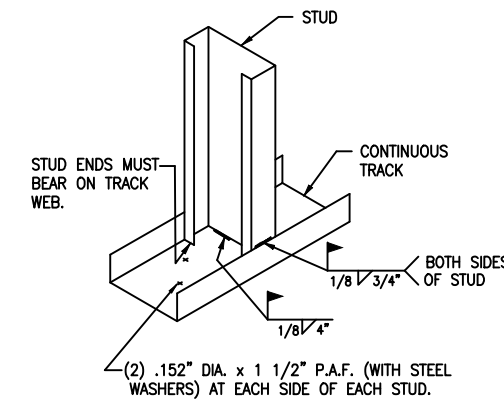
(SEE ELEVATIONS FOR BRIDGING LOCATIONS)
(SEE DRAWING 242D2 FOR TYPICAL BRIDGING SPLICE)

G



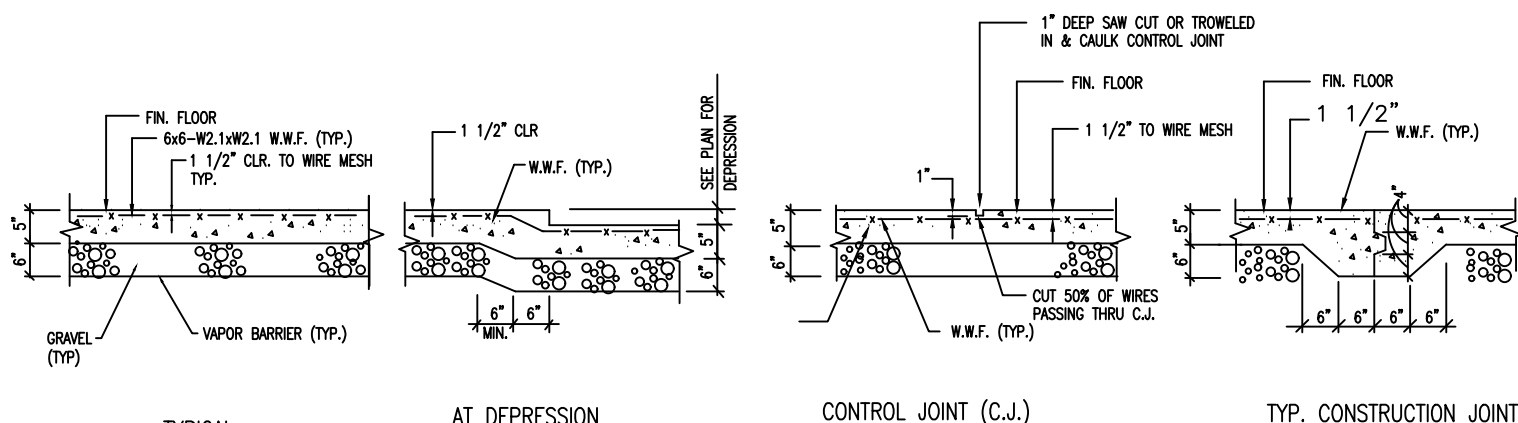
FASTENING ARRANGEMENT TRACK TO CONCRETE (PLAN)

H



SINGLE STUD ATTACHMENT TRACK TO CONCRETE (VIEW)

J



TYPICAL SLAB ON GRADE DETAILS

NOT TO SCALE

A

STRUCTURAL ENGINEER
EMMANUEL ANSA, PE, SE
P.O. BOX 142218
FAYETTEVILLE, GA. 30215
Email: eansa@comcast.net



THIS DRAWING, AS AN INSTRUMENT OF SERVICE, IS AND SHALL REMAIN THE PROPERTY OF THE ARCHITECT AND SHALL NOT BE REPRODUCED, PUBLISHED OR USED IN ANY WAY WITHOUT THE PERMISSION OF THE ARCHITECT.
Copyright © 2022 by Syntony Design Collaborative, LLC.

Drawing Revisions:
1 PLAN REVIEW COMMENTS
10.07.22

Drawing Date: 09/20/2022
Project number: 220001
Drawn By: TS
Checked By: EA

GEORGIA MOUNTAIN FOOD BANK
1842 CALVARY INDUSTRIAL DRIVE SW
GAINESVILLE, GA 30607



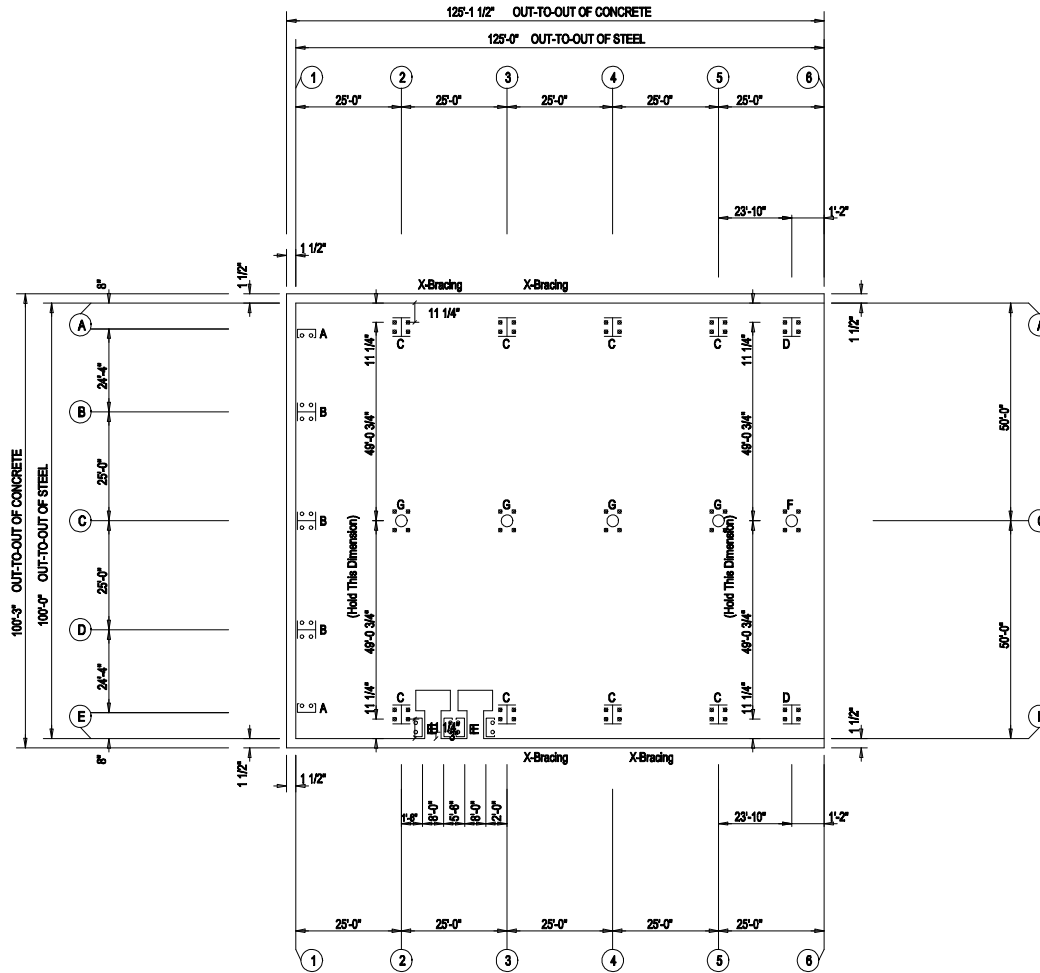
Drawing Description:
SECTIONS AND DETAILS

S203

PERMIT SET. RELEASED OR ISSUED FOR CONSTRUCTION.

By reviewing the plans, the contractor shall be responsible for the accuracy of the information shown on the drawings. The contractor shall be responsible for obtaining all necessary permits and approvals for the project. The contractor shall be responsible for ensuring that the construction is completed in accordance with the approved plans and specifications.

○ Dia= 5/8"
 ⊗ Dia= 3/4"



ANCHOR BOLT PLAN
 NOTE: All Base Plates @ 100'-0" (J.N.)

IMPORTANT!
 Do Not Set Anchor Rods with these Preliminary Drawings.

Whirlwind Steel Buildings will not be responsible for the location of the anchor rods on the Preliminary Drawings.

PRELIMINARY DRAWINGS:
 These drawings are the initial plans prepared by the sales team to provide a means of communication between the customer and Whirlwind Steel Buildings, Inc. These plans are NOT intended to be used for construction.



P.O. BOX 75280
 HOUSTON, TX 77234
 © 2005 Whirlwind Steel Buildings Inc. All rights reserved.
 PH: 800-324-9992
 FAX: 832-553-4600

DESC:	ANCHOR BOLT PLAN	BLDG SIZE:	100'-0" x 125'-0" x 22'-6"
CUSTOMER:	Sintony Design	LOCATION:	City, State Zip
REFERENCE:	Georgia Mountain Food Bank		
JOB SITE:	Gainesville, GA 30507	COUNTY:	Hall
DATE:	9/20/22	QUOTE NO.:	GA1078
		DWG NO.:	PRELIM
		ISSUE	PRELIM

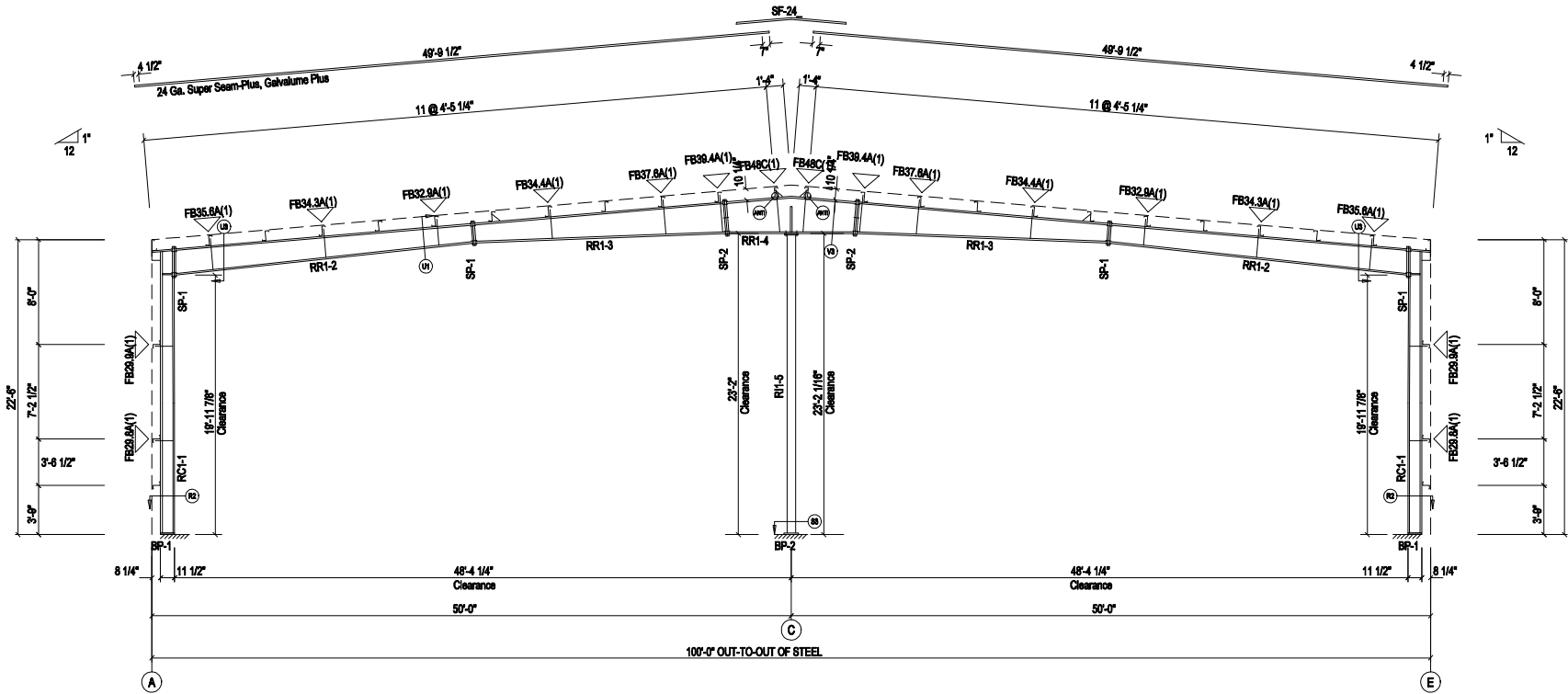
ALL RIGHTS RESERVED. NO PART OF THIS DRAWING IS TO BE REPRODUCED OR TRANSMITTED IN ANY FORM OR BY ANY MEANS, ELECTRONIC OR MECHANICAL, WITHOUT PERMISSION IN WRITING FROM WHIRLWIND STEEL BUILDINGS, INC.



BOLT TIGHTENING (Snug-Tight)

All bolted joints with ASTM F3125 Grade A325 bolts are specified as Snug-Tightened Joints in accordance with the Specification of Structural Joints Using High-Strength Bolts, June 11, 2020, installation as given in Section 7.1 Washers are not required for Snug-Tightened Joints using standard standard size holes per Section 6.1 of the Specification

Pretensioning methods, including Turn-of-Nut, calibrated wrench, twist-off tension control bolts or direct tension indicator are not required. Installation inspection requirements for Snug-Tight Bolt is found in Section 9.1 of the Specification.



RIGID FRAME ELEVATION: FRAME LINE 6

PRELIMINARY DRAWINGS:
These drawings are the initial plans prepared by the sales team to provide a means of communication between the customer and Whirlwind Steel Buildings, Inc. These plans are NOT intended to be used for construction.



P.O. BOX 75280
HOUSTON, TX 77234
© 2005 Whirlwind Steel Buildings Inc.
All rights reserved

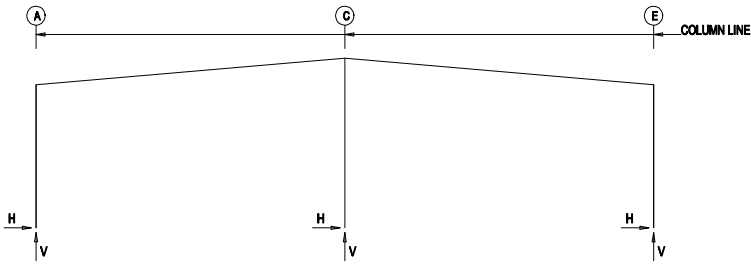
PH: 800-324-9992
FAX: 832-553-4600

DESC:	RIGID FRAME ELEVATION	BLDG. SIZE:	100'-0" x 125'-0" x 22'-6"
CUSTOMER:	Sintony Design	LOCATION:	City, State Zip
REFERENCE:	Georgia Mountain Food Bank		
JOB SITE:	Gainesville, GA 30507	COUNTY:	Hall
DATE:	9/20/22	QUOTE NO.:	GA1078
		DWG NO.:	
		ISSUE	PRELIM

Vertical text on the right edge of the drawing, likely a title block or revision history.



FRAME LINES: 2 3 4 5 6



RIGID FRAME: MAXIMUM REACTIONS, ANCHOR BOLTS, & BASE PLATES

Frm Line	Col Line	Column Reactions(k)				Bolt(n) Qty	Dia	Base Plate(n)		Thick	Elev. (n)		
		Load Id	Hmax H	V Vmax	Hmin H			Width	Length				
2"	A	3	5.0	15.1	8	-3.9	-2.2	4	0.750	8.000	10.50	0.375	0.0
		1	3.7	20.9	8	1.0	-6.4						
2"	E	7	3.9	-2.2	2	-5.0	15.1	4	0.750	8.000	10.50	0.375	0.0
		1	-3.7	20.9	9	-1.0	-6.4						
2"	C	5	0.0	-6.8	5	0.0	-6.8	4	0.750	12.00	12.00	0.500	0.0
		1	0.0	54.5									
2"	Frame lines:	2	3	4	5								

RIGID FRAME: MAXIMUM REACTIONS, ANCHOR BOLTS, & BASE PLATES

Frm Line	Col Line	Column Reactions(k)				Bolt(n) Qty	Dia	Base Plate(n)		Thick	Elev. (n)		
		Load Id	Hmax H	V Vmax	Hmin H			Width	Length				
6	A	3	2.2	7.2	6	-2.0	-1.9	4	0.750	8.000	10.50	0.375	0.0
		1	1.5	10.0	4	-1.7	-3.0						
6	E	7	2.0	-1.9	2	-2.2	7.2	4	0.750	8.000	10.50	0.375	0.0
		1	-1.5	10.0	5	1.7	-3.0						
6	C	5	0.0	-5.7	5	0.0	-5.7	4	0.750	10.00	10.00	0.500	0.0
		1	0.0	31.1									

GENERAL NOTES

- All anchor bolts (by others) to have nuts and flat washers.
- All anchor bolts are designed to full S.A.E. diameters with cut threads. No substitutions are allowed.
- The Metal Building Provider is not responsible for the design, materials and workmanship of the foundation. Anchor bolt plans prepared by the Metal Building Provider are intended to show only location, diameter, and projection of anchor bolts required to attach the Metal Building System to the foundation. The Metal Building Provider is responsible for providing to the Builder the loads imposed by the Metal Building System on the foundation. It is the responsibility of the End Customer to ensure that adequate provisions are made for specifying bolt embedment, bearing angles, tie rods, and/or other associated items embedded in the concrete foundation, as well as foundation design for the loads imposed by the Metal Building System, other imposed loads, and the bearing capacity of the soil and other conditions of the building site. This is typically the responsibility of the Design Professional or Engineer of Record, which is another reason that their involvement in the Construction Project from the outset is highly recommended. (2012 MBMA Metal Building Systems Manual, Section 3.2.2)

RIGID FRAME: BASIC COLUMN REACTIONS (k)

Frame Line	Column Line	---Dead---		---Collateral---		---Live---		---Snow---		---Wind_Left1---		---Wind_Right1---	
		Horiz	Vert	Horiz	Vert	Horiz	Vert	Horiz	Vert	Horiz	Vert	Horiz	Vert
6	A	0.1	1.1	0.2	1.3	1.2	7.6	0.7	4.4	-3.0	-6.1	2.2	-2.2
6	E	-0.1	1.1	-0.2	1.3	-1.2	7.6	-0.7	4.4	-2.2	-2.2	3.0	-6.1
6	C	0.0	3.1	0.0	4.0	0.0	24.0	0.0	14.0	0.0	-12.6	0.0	-12.6

Frame Line	Column Line	---Wind_Left2---		---Wind_Right2---		---Wind_Long1---		---Wind_Long2---		---Seismic_Left---		---Seismic_Right---	
		Horiz	Vert	Horiz	Vert	Horiz	Vert	Horiz	Vert	Horiz	Vert	Horiz	Vert
6	A	-3.5	-4.4	1.8	-0.4	0.8	-5.8	0.4	-3.1	-0.6	-0.3	0.6	0.3
6	E	-1.6	-0.4	3.5	-4.4	-0.4	-3.1	-0.8	-5.8	-0.6	0.3	0.6	-0.3
6	C	0.0	-8.3	0.0	-8.3	0.0	-12.0	0.0	-12.0	0.0	0.0	0.0	0.0

Frame Line	Column Line	---MIN_SNOW---		F1UNB_SL_L---		F1UNB_SL_R---	
		Horiz	Vert	Horiz	Vert	Horiz	Vert
6	A	0.8	5.1	0.5	5.4	0.5	0.6
6	E	-0.8	5.1	-0.5	0.6	-0.5	5.4
6	C	0.0	16.0	0.0	12.2	0.0	12.2

Frame Line	Column Line	---Dead---		---Collateral---		---Live---		---Snow---		---Wind_Left1---		---Wind_Right1---	
		Horiz	Vert	Horiz	Vert	Horiz	Vert	Horiz	Vert	Horiz	Vert	Horiz	Vert
2"	A	0.3	2.0	0.5	2.7	2.9	16.2	1.7	9.5	-5.4	-6.4	4.4	-3.9
2"	E	-0.3	2.0	-0.5	2.7	-2.9	16.2	-1.7	9.5	-4.4	-3.9	5.4	-6.4
2"	C	0.0	4.9	0.0	7.1	0.0	42.5	0.0	24.8	0.0	-16.3	0.0	-16.3

Frame Line	Column Line	---Wind_Left2---		---Wind_Right2---		---Wind_Long1---		---Wind_Long2---		---Seismic_Left---		---Seismic_Right---	
		Horiz	Vert	Horiz	Vert	Horiz	Vert	Horiz	Vert	Horiz	Vert	Horiz	Vert
2"	A	-6.8	-5.8	3.1	0.0	1.3	-12.7	0.7	-9.5	-0.9	-0.4	0.9	0.4
2"	E	-3.1	0.0	6.8	-5.8	-0.7	-8.5	-1.3	-12.7	-0.9	0.4	0.9	-0.4
2"	C	0.0	-9.0	0.0	-9.0	0.0	-15.4	0.0	-15.4	0.0	0.0	0.0	0.0

Frame Line	Column Line	---Seismic_Long---		---MIN_SNOW---		F2UNB_SL_L---		F2UNB_SL_R---	
		Horiz	Vert	Horiz	Vert	Horiz	Vert	Horiz	Vert
2"	A	0.0	-2.0	1.9	10.8	1.2	11.1	1.2	1.9
2"	E	0.0	-2.0	-1.9	10.8	-1.2	1.9	-1.2	11.1
2"	C	0.0	0.0	0.0	28.4	0.0	21.8	0.0	21.8

2"	Frame lines:	2	3	4	5								
----	--------------	---	---	---	---	--	--	--	--	--	--	--	--

PRELIMINARY DRAWINGS:
These drawings are the initial plans prepared by the sales team to provide a means of communication between the customer and Whirlwind Steel Buildings, Inc. These plans are NOT intended to be used for construction.



P.O. BOX 75280
HOUSTON, TX 77234
© 2005 Whirlwind Steel Buildings Inc. All rights reserved.

PH: 800-324-9992
FAX: 832-553-6600

DESC: ANCHOR BOLT REACTIONS	BLDG SIZE: 100'-0" x 125'-0" x 22'-6"
CUSTOMER: Sintony Design	LOCATION: City, State Zip
REFERENCE: Georgia Mountain Food Bank	
JOB SITE: Gainesville, GA 30507	COUNTY: Hall
DATE: 9/20/22	QUOTE NO. GA1078
	DWG NO. PRELIM

1. All drawings are the property of Whirlwind Steel Buildings, Inc. and are not to be reproduced, copied, or distributed in any form without the written permission of Whirlwind Steel Buildings, Inc. 2. Whirlwind Steel Buildings, Inc. is not responsible for the design, materials and workmanship of the foundation. Anchor bolt plans prepared by the Metal Building Provider are intended to show only location, diameter, and projection of anchor bolts required to attach the Metal Building System to the foundation. The Metal Building Provider is responsible for providing to the Builder the loads imposed by the Metal Building System on the foundation. It is the responsibility of the End Customer to ensure that adequate provisions are made for specifying bolt embedment, bearing angles, tie rods, and/or other associated items embedded in the concrete foundation, as well as foundation design for the loads imposed by the Metal Building System, other imposed loads, and the bearing capacity of the soil and other conditions of the building site. This is typically the responsibility of the Design Professional or Engineer of Record, which is another reason that their involvement in the Construction Project from the outset is highly recommended. (2012 MBMA Metal Building Systems Manual, Section 3.2.2)

PERMIT SET. RELEASED OR ISSUED FOR CONSTRUCTION.



THIS DRAWING, AS AN INSTRUMENT OF SERVICE, IS AND SHALL REMAIN THE PROPERTY OF THE ARCHITECT AND SHALL NOT BE REPRODUCED, PUBLISHED OR USED IN ANY WAY WITHOUT THE PERMISSION OF THE ARCHITECT.
Copyright © 2022 by Syntony Design Collaborative, LLC

Drawing Revisions:

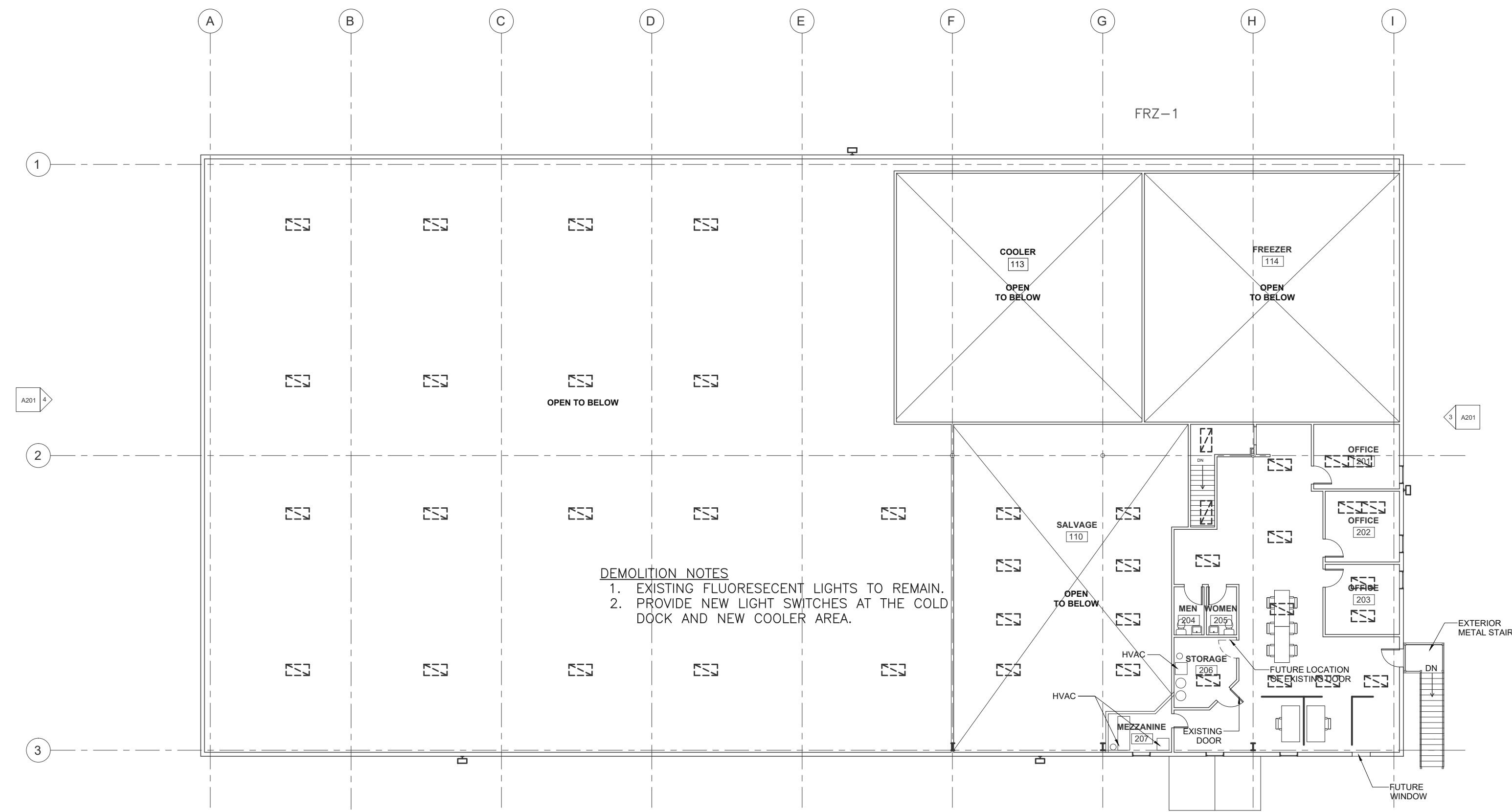
1 PLAN REVIEW COMMENTS
10.07.22

Drawing Date: 09/20/2022
Project number: 2200000000
Drawn By: DE
Checked By: DE

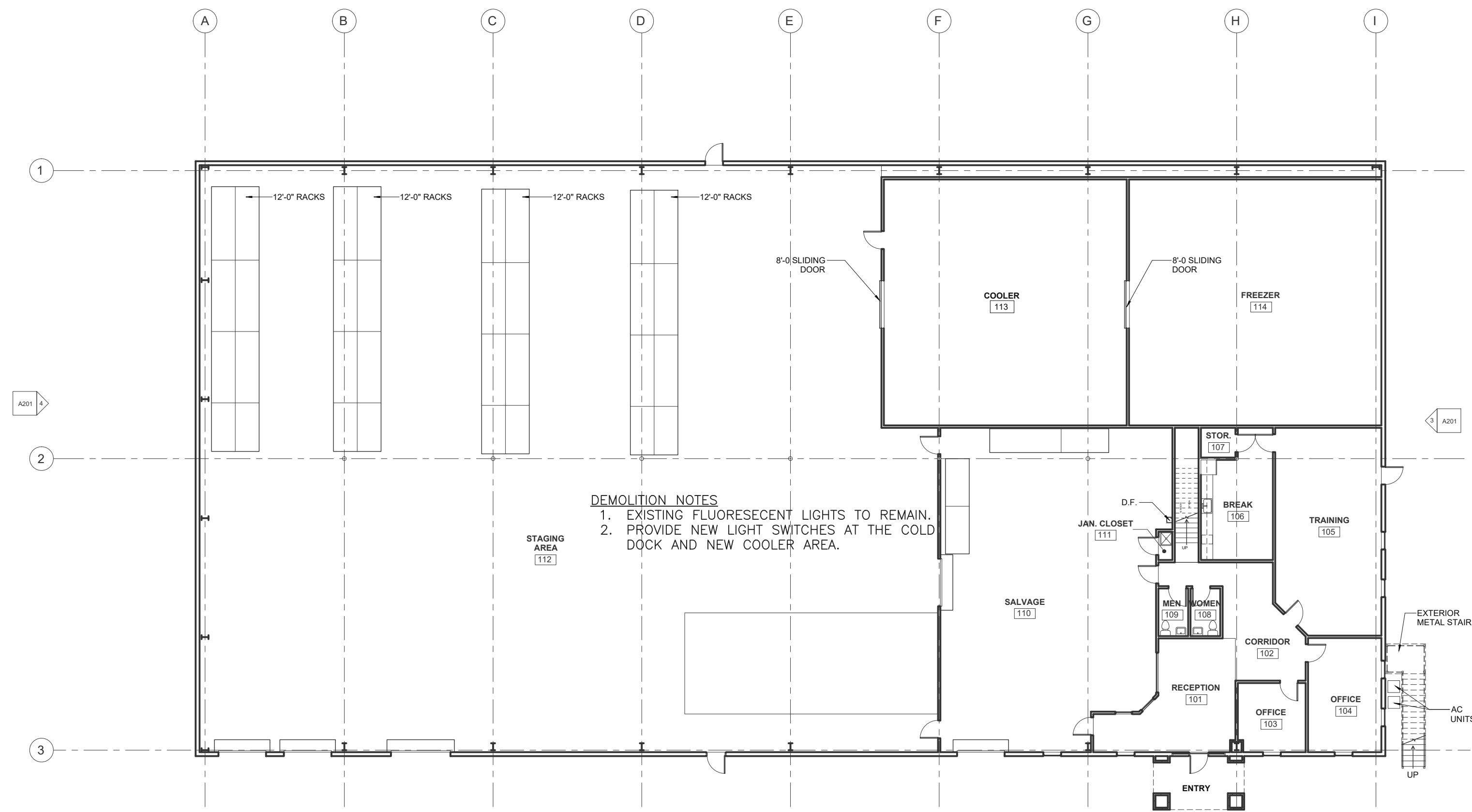
GEORGIA MOUNTAIN FOOD BANK
1642 CALVARY INDUSTRIAL DRIVE SW
GAINESVILLE, GA 30507

Drawing Description:
LIGHTING PLANS

E-1



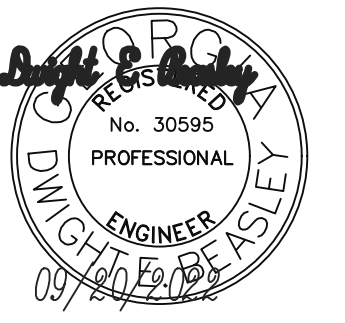
2 EXISTING LIGHTING PLAN - 2ND FLOOR
SCALE: 1/16"=1'-0"



1 EXISTING LIGHTING PLAN - 1ST FLOOR
SCALE: 1/16"=1'-0"

By reviewing the drawings for Code Compliance, the user agrees to release the user's design professional, contractors or their representatives from the responsibility for any safety, health and welfare issues and liabilities in effect at time of permit issuance. Our release is not a check of work item and does not prevent this department from requiring corrections during construction. Any corrections required shall be approved by the permit.

PERMIT SET. RELEASED OR ISSUED FOR CONSTRUCTION.



THIS DRAWING, AS AN INSTRUMENT OF SERVICE, IS AND SHALL REMAIN THE PROPERTY OF THE ARCHITECT AND SHALL NOT BE REPRODUCED, PUBLISHED OR USED IN ANY WAY WITHOUT THE PERMISSION OF THE ARCHITECT.
Copyright © 2022 by Syntony Design Collaborative, LLC

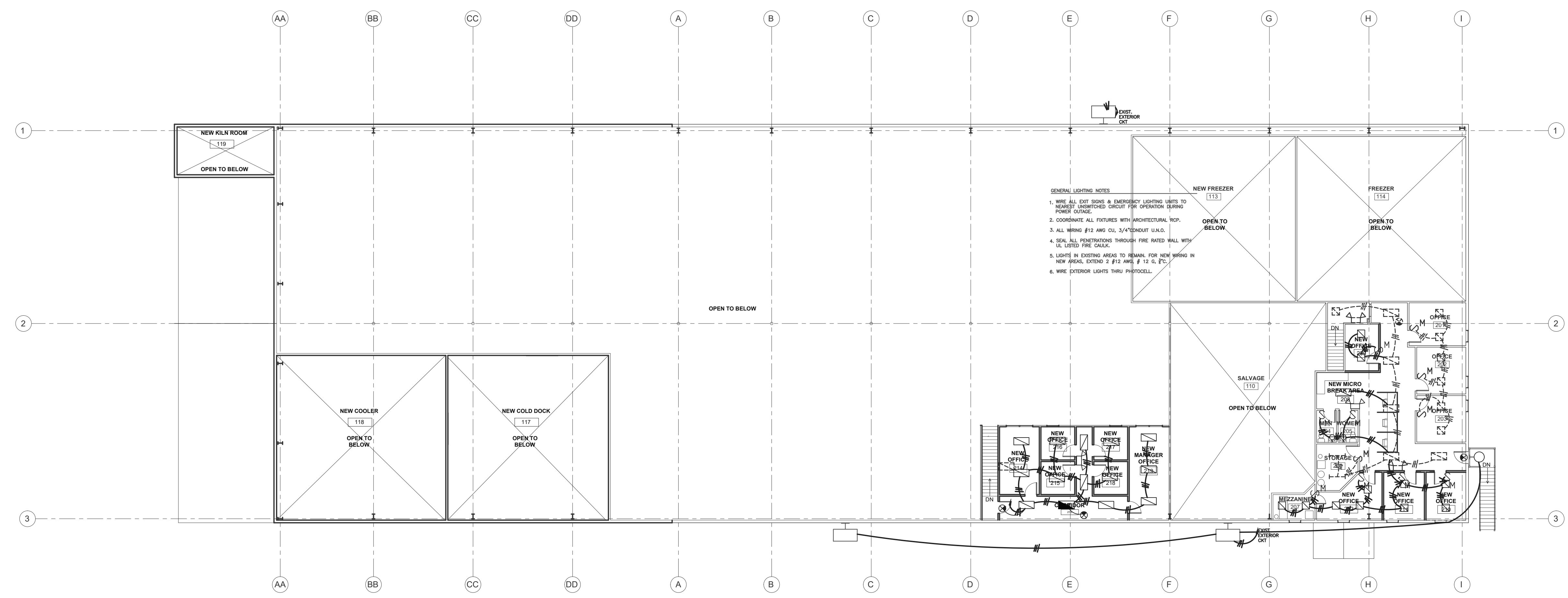
Drawing Revisions:
1 PLAN REVIEW COMMENTS
10.07.22

Drawing Date: 09/20/2022
Project number: 22000
Drawn By: DEB
Checked By: DEB

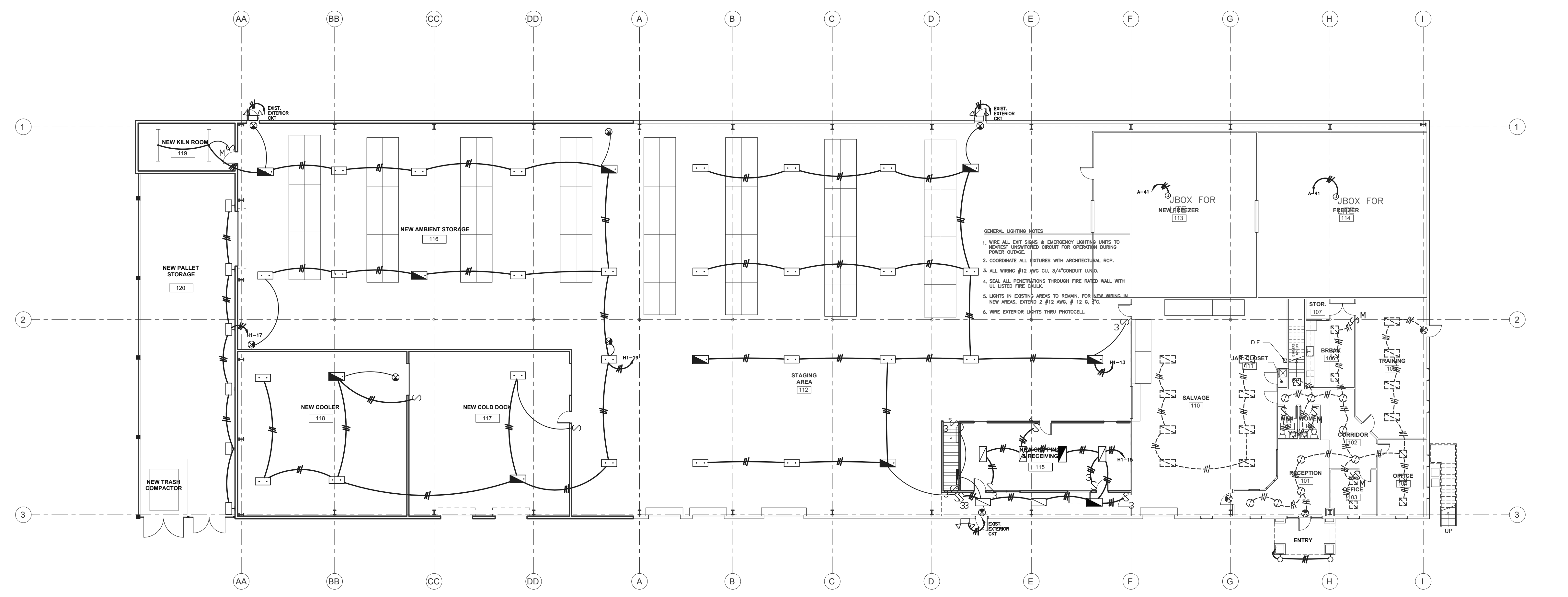
GEORGIA MOUNTAIN FOOD BANK
1642 CALVARY INDUSTRIAL DRIVE SW
GAINESVILLE, GA 30507

Drawing Description:
LIGHTING PLANS

E-2

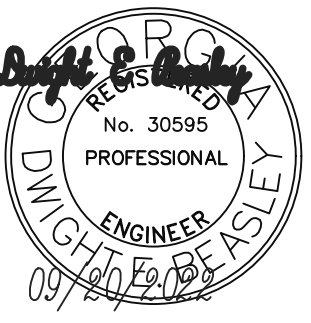


2 PROPOSED LIGHTING PLAN - 2ND FLOOR
SCALE: 1/16"=1'-0"



1 PROPOSED LIGHTING PLAN - 1ST FLOOR
SCALE: 1/16"=1'-0"

PERMIT SET. RELEASED OR ISSUED FOR CONSTRUCTION.



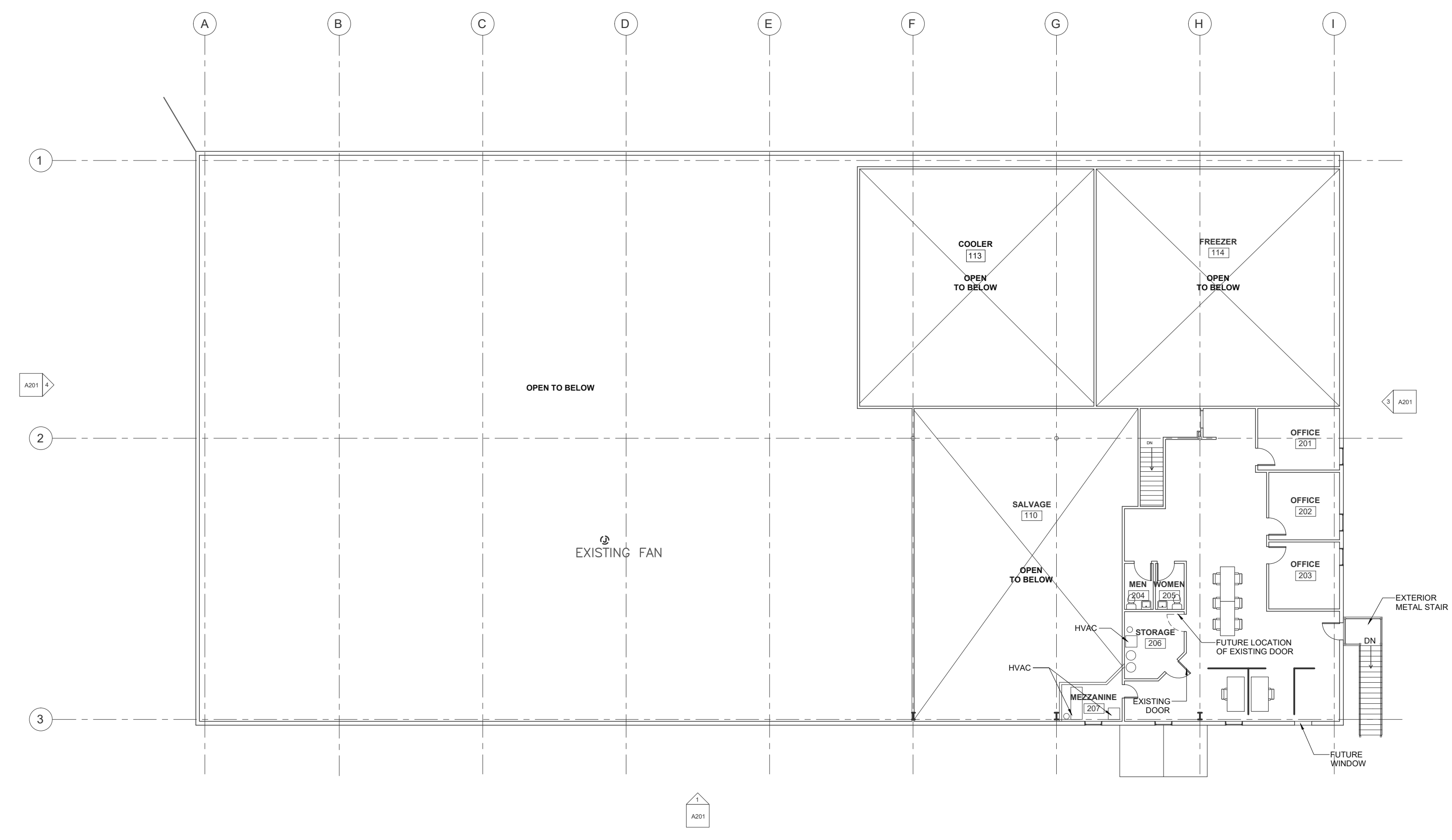
THIS DRAWING, AS AN INSTRUMENT OF SERVICE, IS AND SHALL REMAIN THE PROPERTY OF THE ARCHITECT AND SHALL NOT BE REPRODUCED, PUBLISHED OR USED IN ANY WAY WITHOUT THE PERMISSION OF THE ARCHITECT.
Copyright © 2022 by Syntony Design Collaborative, LLC.

Drawing Revisions:
1 PLAN REVIEW COMMENTS
10.07.22

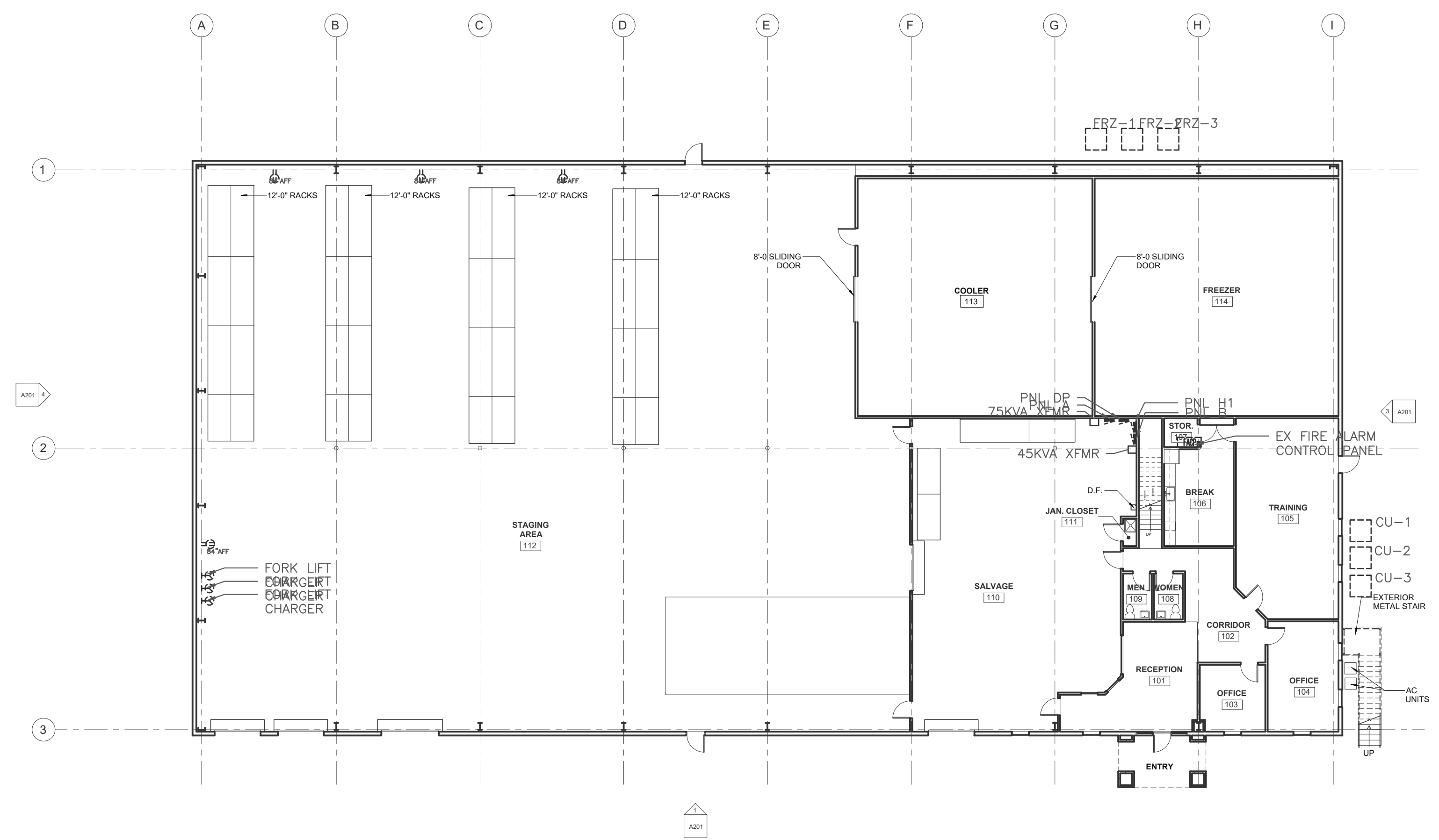
Drawing Date: 09/20/2022
Project number: 220003
Drawn By: DEB
Checked By: DEB

GEORGIA MOUNTAIN FOOD BANK
1642 CALVARY INDUSTRIAL DRIVE SW
GAINESVILLE, GA 30507

Drawing Description:
POWER & SYSTEMS PLANS



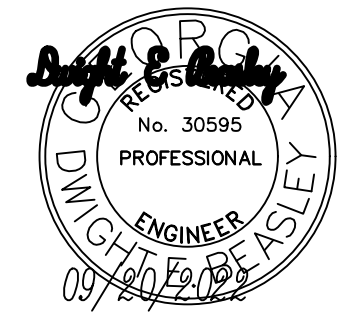
2 EXISTING POWER & SYSTEMS PLAN – 2ND FLOOR
SCALE: 1/16"=1'-0"



1 PROPOSED POWER & SYSTEMS PLAN – 1ST FLOOR
SCALE: 1/16"=1'-0"

By reviewing this drawing for Code Compliance, the user, design professional, contractor or their representative from the record, shall state and indicate on this drawing all code, state and national codes and standards in effect at the time of review. The user, design professional, contractor or their representative shall be responsible for obtaining all necessary permits and approvals for the work shown on this drawing. The user, design professional, contractor or their representative shall be responsible for obtaining all necessary permits and approvals for the work shown on this drawing.

PERMIT SET. RELEASED OR ISSUED FOR CONSTRUCTION.



Syntony
Design Collaborative LLC

THIS DRAWING, AS AN INSTRUMENT OF SERVICE, IS AND SHALL REMAIN THE PROPERTY OF THE ARCHITECT AND SHALL NOT BE REPRODUCED, PUBLISHED OR USED IN ANY WAY WITHOUT THE PERMISSION OF THE ARCHITECT.
Copyright © 2022 by Syntony Design Collaborative, LLC.

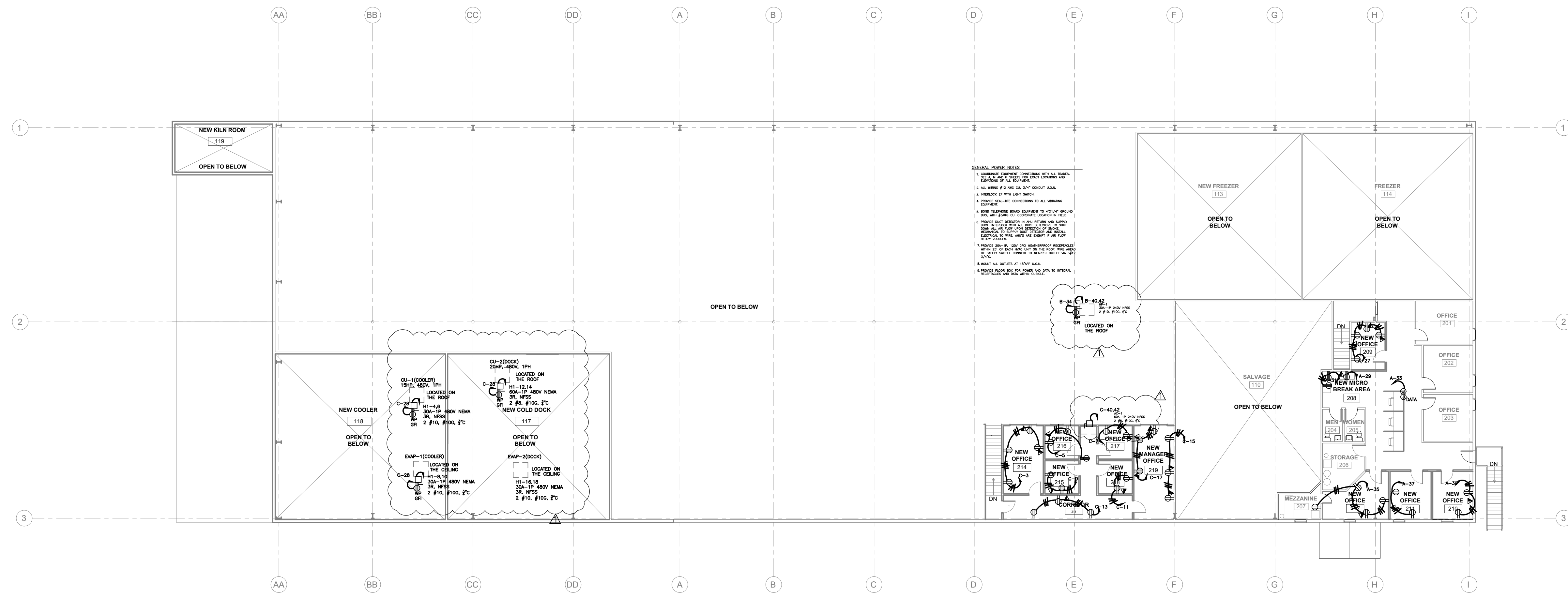
Drawing Revisions:
1 PLAN REVIEW COMMENTS
10.07.22

Drawing Date: 09/20/2022
Project number: 22000
Drawn By: DEB
Checked By: DEB

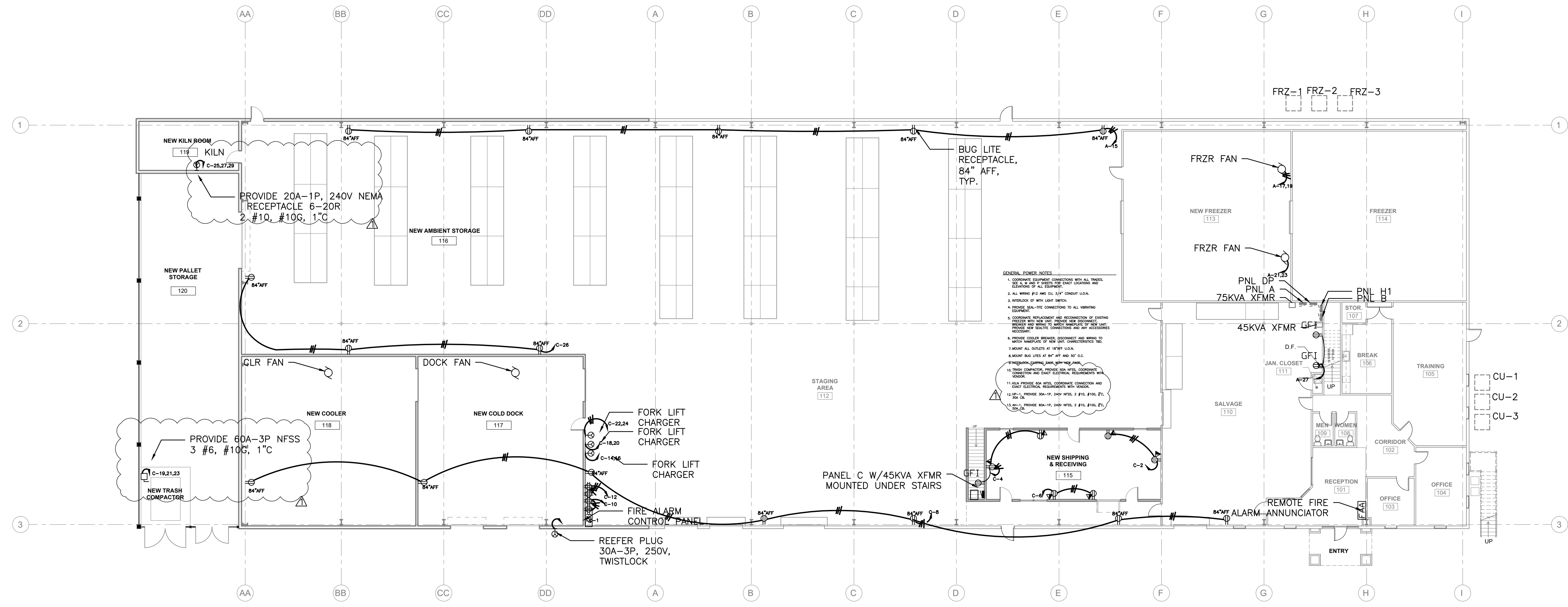
GEORGIA MOUNTAIN FOOD BANK
1642 CALVARY INDUSTRIAL DRIVE SW
GAINESVILLE, GA 30507

Drawing Description:
POWER & SYSTEMS PLANS

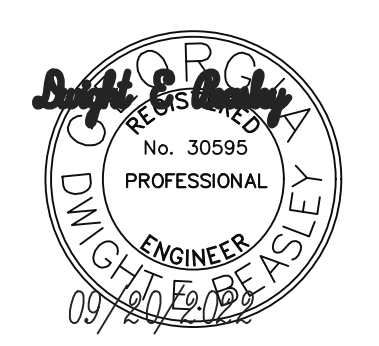
E-4



2 POWER & SYSTEMS PLAN - 2ND FLOOR
SCALE: 1/16"=1'-0"



1 POWER & SYSTEMS PLAN - 1ST FLOOR
SCALE: 1/16"=1'-0"



THIS DRAWING, AS AN INSTRUMENT OF SERVICE, IS AND SHALL REMAIN THE PROPERTY OF THE ARCHITECT AND SHALL NOT BE REPRODUCED, PUBLISHED OR USED IN ANY WAY WITHOUT THE PERMISSION OF THE ARCHITECT.
Copyright © 2022 by Syntony Design Collaborative, LLC

Drawing Revisions:
1 PLAN REVIEW COMMENTS
10.07.22

Drawing Date: 09/20/2022
Project number: 22000
Drawn By: DEB
Checked By: DEB

GEORGIA MOUNTAIN FOOD BANK
1642 CALVARY INDUSTRIAL DRIVE SW
GAINESVILLE, GA 30507

Drawing Description:
ELECTRICAL
DETAILS

FIRE ALARM OPERATING SEQUENCE SCHEDULE										
	TROUBLE	ALARM	TRouble ALARM AND LIGHT IN FACP AND CENTRAL STATION NOTIFICATION	AUDIBLE AND VISUAL ALARM, CENTRAL STATION AND FIRE DEPARTMENT NOTIFICATION	FAN SHUTDOWN	MOTOR OPERATED DAMPER ACTIVATION ON "SMOKE/FIRE FLOOR"	UNLOCK DOOR	SYSTEM ALARM PRINTER	HISTORICAL LOG	
SPRINKLER WATER FLOW SWITCHES	●	●	●	●	●	●	●	●	●	●
SPRINKLER TAMPER SWITCHES	●	●	●	●	●	●	●	●	●	●
SPRINKLER ALARM PRESSURE SWITCHES	●	●	●	●	●	●	●	●	●	●
AIR HANDLING UNIT DUCT DETECTORS (SUPPLY AIR DUCT)	●	●	●	●	●	●	●	●	●	●
AIR HANDLING UNIT DUCT DETECTORS (RETURN AIR DUCT)	●	●	●	●	●	●	●	●	●	●
MANUAL PULL STATIONS	●	●	●	●	●	●	●	●	●	●
COMMON AREA SMOKE/HEAT DETECTORS	●	●	●	●	●	●	●	●	●	●
FAULT IN MONITORING CIRCUIT OR COMPONENT CATTERY FAILURE OR LOSS OF AC	●	●	●	●	●	●	●	●	●	●

FIRE ALARM SYSTEM SPECIFICATIONS

1. FIRE ALARM SYSTEM – GENERAL
 – THE FIRE ALARM SYSTEM SHALL SATISFY THE FUNCTIONS CURRENTLY SPECIFIED AND RECOMMENDED BY NFPA-72, NFPA-70, THE AMERICANS WITH DISABILITIES ACT GUIDELINES, NFPA-90A, AND OTHER CODE AUTHORITIES. THE SYSTEM SHALL ALSO COMPLY WITH UL STANDARDS 38, 218, AND NEMA STANDARDS 583, 589. THE SYSTEM AND ALL COMPONENTS SHALL BE LISTED, LABELED, AND APPROVED FOR ITS APPLICATION AS FIRE PROTECTIVE SIGNALING EQUIPMENT BY UNDERWRITER'S LABORATORIES, INC.

– SMOKE DETECTORS SHALL BE PHOTOELECTRIC TYPE WITH ALARM INDICATOR LAMP AND INTERNAL ALARM WITH FLASHING LIGHT. THE DETECTORS SHALL HAVE A SENSITIVITY ADJUSTMENT AND A CIRCUIT TEST SET CHECK FEATURE. DETECTOR UNITS SHALL BE PRESET FOR SENSITIVITY AT THE FACTORY AND USED AT A FIXED SENSITIVITY DETERMINED BY THE ELEVATION OF THE SYSTEM INSTALLATION. DETECTORS SHALL HAVE A LOCKING SCREW TO PROHIBIT REMOVAL BY UNAUTHORIZED PERSONS. DETECTORS SHALL HAVE AN ALARM CONDITION LAMP, VISIBLE FROM THE BOTTOM OF THE DETECTOR AS INSTALLED. FIRE ALARM STATIONS SHALL BE THE NON-CODED, MANUAL, DUAL-ACTION PULL LEVER TYPE, OPERABLE BY NO MORE THAN EIGHT POUNDS OF PRESSURE. THE STATION SHALL BE FLUSH OR SEMI-FLUSH MOUNTED AND FINISHED RED WITH WHITE TRIM. STATION LABELING SHALL STATE "FIRE". SYSTEM SIGNAL ALARMS SHALL BE VIBRATING AUDIO-VISUAL HORNS OR VISUAL-ONLY DEVICES AS INDICATED. THE VISUAL INDICATION SHALL PROVIDE A STROBE-TYPE FLASH AND BE VISIBLE WITHIN A 180 DEGREE RANGE WHEN THE UNIT IS VERTICALLY MOUNTED. DEVICES SHALL HAVE FIELD ADJUSTABLE SOUND LEVELS SET BY THE FACTORY AT MAXIMUM. DEVICES SHALL BE SUITABLE FOR USE ON THE SUPERVISED CIRCUITS. DEVICE FINISH SHALL BE RED. ANY REQUIRED CIRCUIT LOADING COMPONENTS AND/OR REQUIRED ENCLOSURES SHALL BE PROVIDED, SIZED, AND LOCATED FOR THE SYSTEM AS INSTALLED. WIRING FOR THE SYSTEM SHALL BE CABLE OR CONDUCTORS INSTALLED IN RACEWAY, WITH TYPE, SIZE, AND NUMBER OF CONDUCTORS (EITHER BUNCH-TINNED STRANDED COPPER OR OTHER FIRE-ALARM-RATED CONDUCTORS) RECOMMENDED BY THE EQUIPMENT MANUFACTURER.

– INSTALL THE EQUIPMENT AND ALL RACEWAYS AND/OR WIRING AS INDICATED AND REQUIRED. THE INSTALLATION AND WIRE SHALL MEET ALL RECOMMENDATIONS OF APPLICABLE CODES AND OF THE EQUIPMENT SUPPLIER AND/OR MANUFACTURER.

– PROVIDE ALL EQUIPMENT, COMPONENTS, WIRING, MATERIALS, AND SERVICES TO PROVIDE THE SYSTEM COMPLETE IN ALL RESPECTS TO MEET SPECIFICATION FUNCTIONAL REQUIREMENTS.

– SEQUENCE OF OPERATION: THE INITIATION OF ANY SMOKE/HEAT/DUCT DETECTOR, MANUAL PULL STATION OR SPRINKLER FLOW SHALL INDICATE ITS ALARM CONDITION AT THE CONTROL PANEL, ACTIVATE ALL VISUAL AND AUDIBLE DEVICES, SHUTDOWN ALL HVAC UNITS, AUTOMATICALLY UNLOCK ALL DOORS AND NOTIFY THE THIRD PARTY MONITORING SERVICE AND FIRE DEPARTMENT. UPON BATTERY MALFUNCTION OR LOSS OF AC POWER DOORS SHALL AUTOMATICALLY UNLOCK.

– TAMPER SWITCH ACTIVATION, WIRING GROUNDS, FAULTS, DISCONNECTED DEVICES, OR OTHER SYSTEM DISARRANGEMENT SHALL INITIATE TROUBLE SIGNAL AT THE FACP AND ALERT THE THIRD PARTY MONITORING SERVICE.

– TESTING: SYSTEMS AND COMPONENTS SHALL BE TESTED AND DEMONSTRATED TO MEET FULL FUNCTIONAL REQUIREMENTS. SPECIFIC TESTS SHALL BE PERFORMED AS SPECIFIED, INDICATED, OR REQUIRED.

3. FOR NEW SYSTEMS: THE SYSTEM SHALL BE A NEW NON-PROPRIETARY SYSTEM, MANUFACTURED BY SILENT KNIGHT, NOTIFIER, OR EDWARDS. THE CONTROL PANEL SHALL BE OF INHERENT DEAD-FRONT METAL-ENCLOSED CONSTRUCTION WITH A GLASS FRONT PANEL AND FRONT ACCESSIBLE FOR ROUTINE OPERATION, FUNCTION TESTING, AND MONITORING. BATTERIES FOR EMERGENCY POWER SHALL BE PROVIDED FOR 48 HOUR RUNTIME. THE CONTROL PANEL SHALL BE FLUSH MOUNTED. A TROUBLE UNIT SHALL BE PROVIDED. THE TROUBLE UNITS SHALL PROVIDE AN ALARM SIGNAL AT THE MAIN CONTROL PANEL.

4. PROVIDE AND SUBMIT FIRE ALARM SHOP DRAWINGS WITHIN 90 DAYS OF PERMIT ISSUANCE.

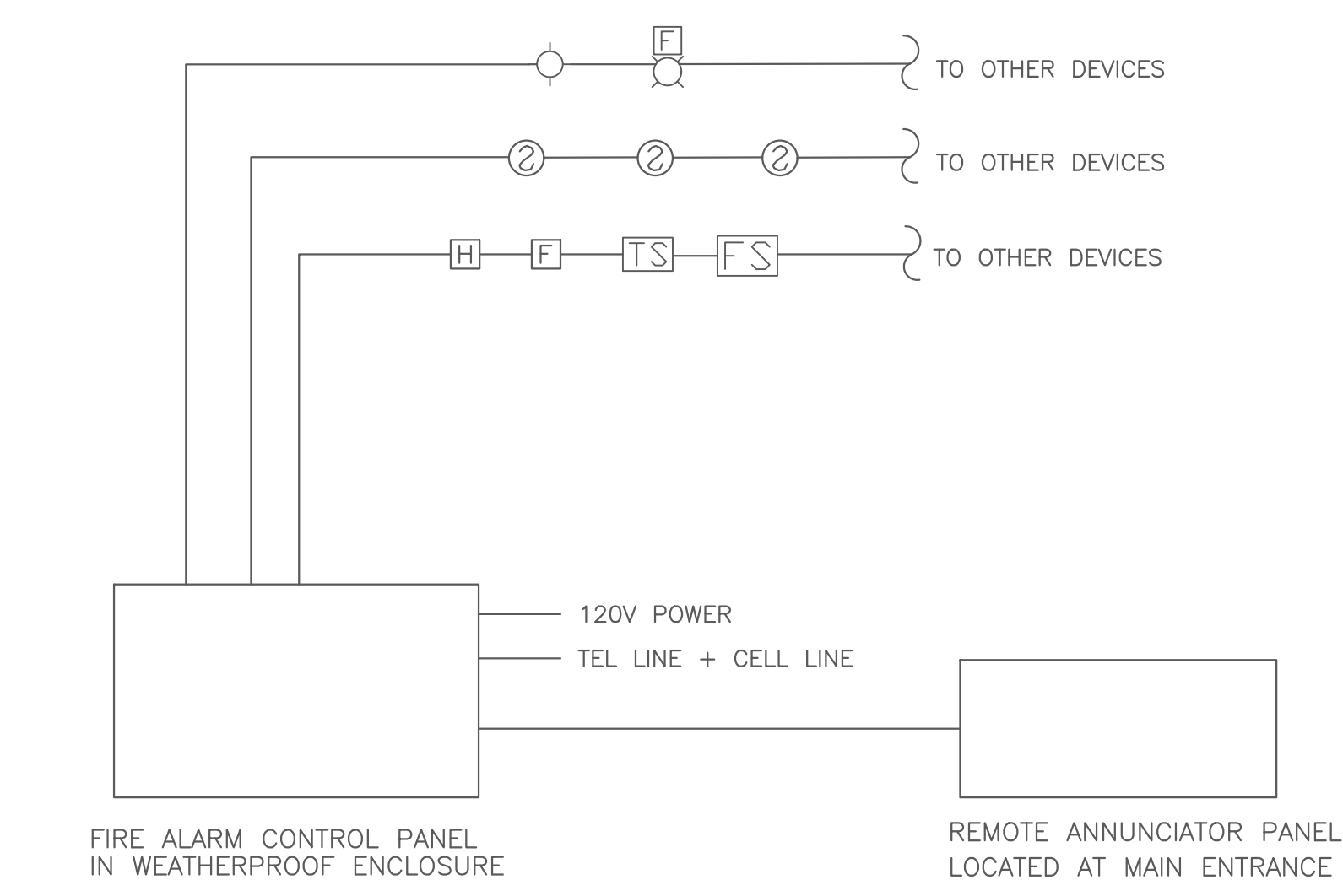
5. ALL FIRE PANEL NOTIFICATIONS SHALL MATCH TENANT PROVIDED SIGNAGE FOR ROOM NAMES. COORDINATE ROOM NAMES IN SYSTEM WITH OWNER.

6. FIRE ALARM CONTROL PANEL SHALL HAVE TYPED LABEL INDICATING BREAKER NUMBER IN ELECTRICAL PANEL.

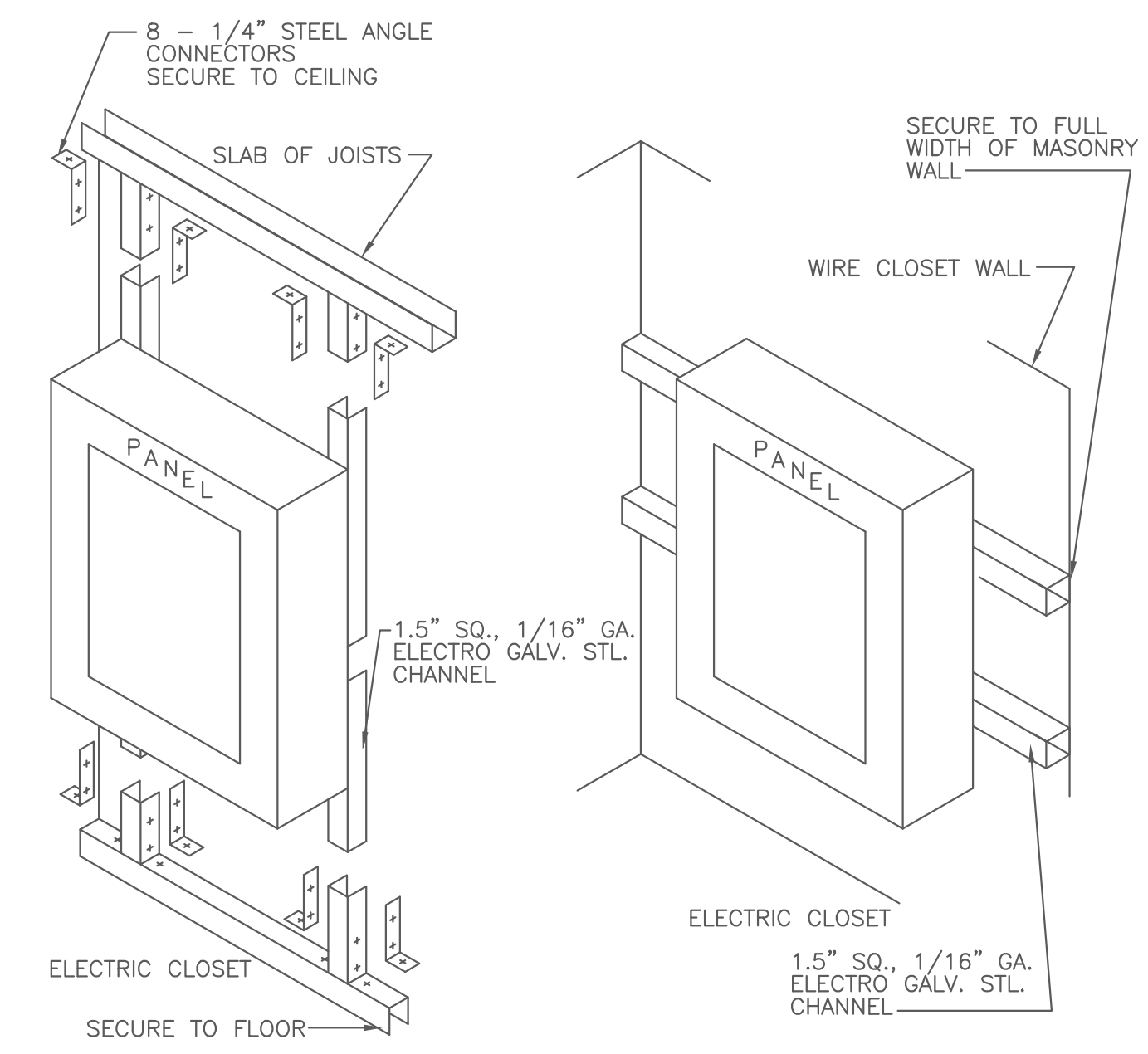
7. ALL SMOKE DETECTORS SHALL BE LOCATED 3' MINIMUM FROM HVAC SUPPLY/RETURN.

FIRE ALARM NOTES

PROVIDE A COMPLETE APPROVED MANUAL/AUTOMATIC FIRE ALARM SYSTEM FOR THIS FACILITY WITH PULL STATIONS LOCATED IN ALL PATHS OF EGRESS. THE SYSTEM SHALL BE EQUIPPED WITH HORNS AND VISUAL ALERTING DEVICES PER NFPA 72. CORRIDDOR SMOKE DETECTORS ARE LOW VOLTAGE.



1 FIRE ALARM
E-5 SCALE: 1/8"=1'-0"



2 PANEL DETAILS
E-5 SCALE: 1/8"=1'-0"

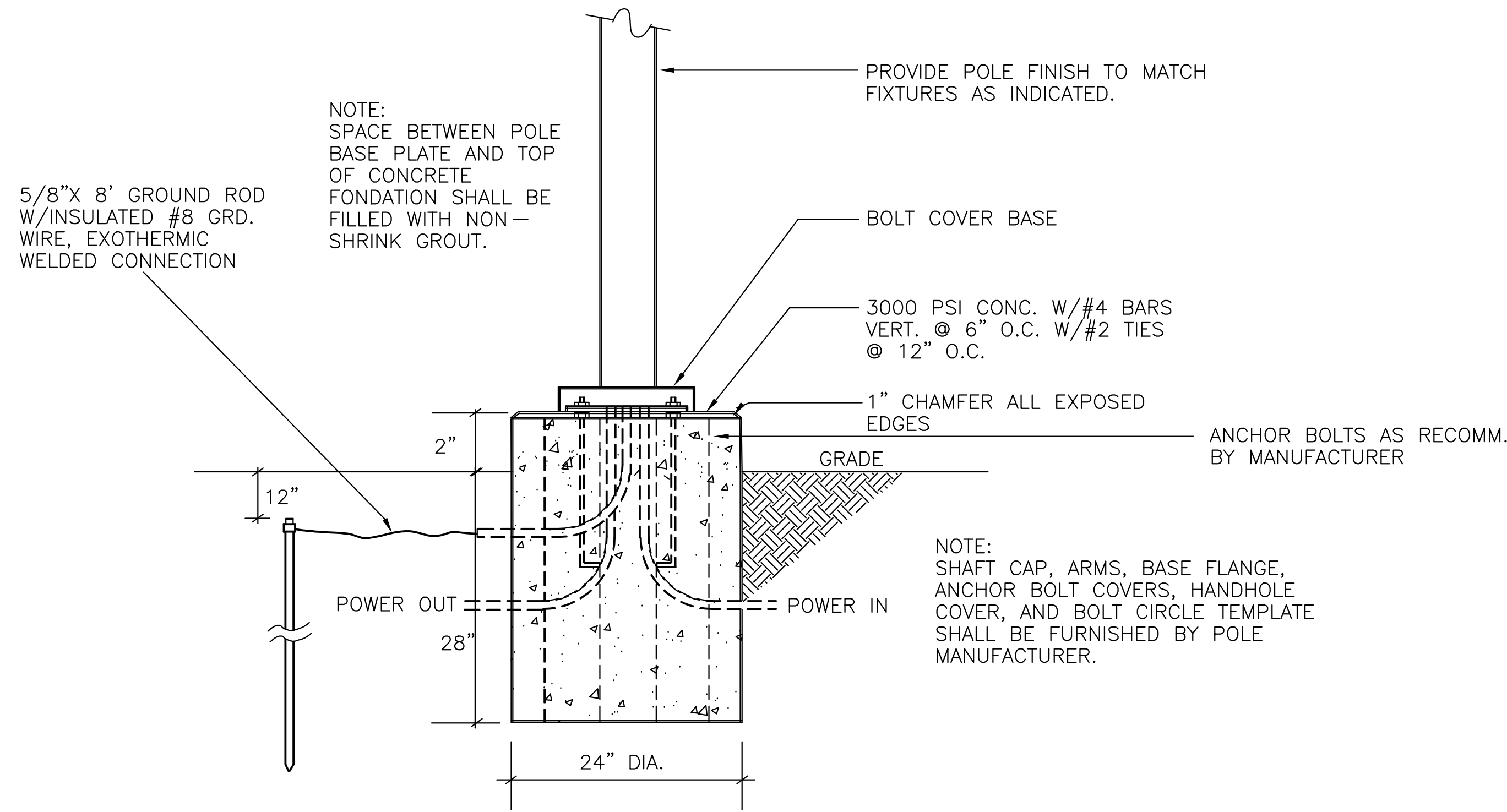
System No. W-L-1095
 F Ratings - 1 & 2 Hr (See Item 1)
 T Ratings - 1 & 2 Hr (See Item 3)
 L Rating At Ambient - Less Than 1 CFM/Sq Ft
 L Rating At 400 F - 4 CFM/Sq Ft

SECTION A-A

- Wall Assembly - The 1 or 2 hr fire-rated gypsum wallboard/stud wall assembly shall be constructed of the materials and in the manner described in the individual U200 or U400 Series Wall and Partition Designs in the UL Fire Resistance Directory and shall include the following construction features:
 - Studs - Wall framing may consist of either wood studs or steel channel studs. Wood studs to consist of nom 2 by 4 in. lumber spaced 16 in. OC. Steel studs to be min 2-1/2 in. wide and spaced max 24 in. OC.
 - Wallboard, Gypsum* - 5/8 in. thick, 4 ft wide with square or lapped edges. The gypsum wallboard type, thickness, number of layers, fastener type and sheet orientation shall be as specified in the individual U200 or U400 Series Design in the UL Fire Resistance Directory. Max size of opening 2-5/8 in. by 18 in. The hourly F Rating of the firestop system is equal to the hourly fire rating of the wall assembly in which it is installed.
 - Electric Metallic Tubing (EMT) - One or more nom 1 in. diam steel electric tubing. The annular space shall be min 1/2 in. to a max 1 in. Conduit to be rigidly supported on both sides of wall assembly.
 - Fill, Void or Cavity Material - Sealant - For 2 hr F Rating, min 1-1/4 in. thickness of fill material applied within the annulus, flush with both surfaces of wall. For 1 hr F Rating, min 5/8 in. thickness of fill material applied within the annulus, flush with both surfaces of wall. HMTI CONSTRUCTION CHEMICALS, DIV OF HMTI, Inc. - FS-ONE Sealant
*Bearing the UL Classification Marking

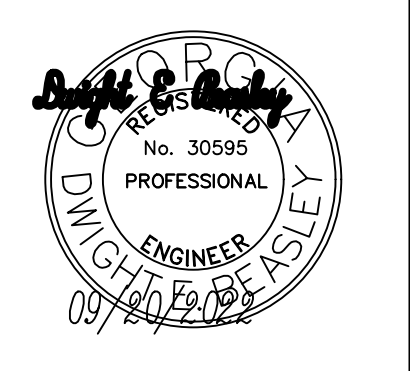
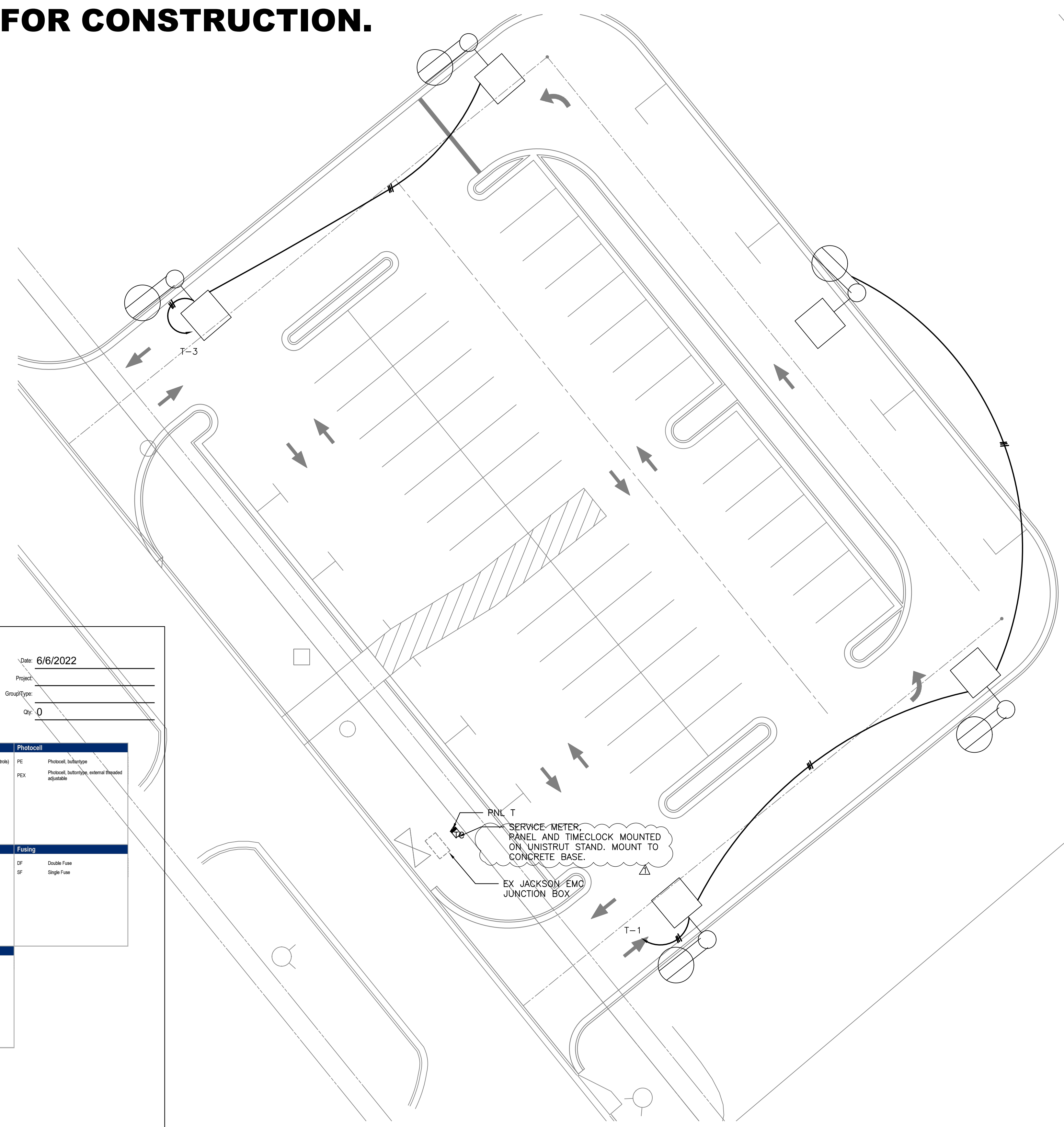
CLASSIFIED UL US

PERMIT SET. RELEASED OR ISSUED FOR CONSTRUCTION.



POLE BASE DETAIL

NO SCALE



THIS DRAWING, AS AN INSTRUMENT OF SERVICE, IS AND SHALL REMAIN THE PROPERTY OF THE ARCHITECT AND SHALL NOT BE REPRODUCED, PUBLISHED OR USED IN ANY WAY WITHOUT THE PERMISSION OF THE ARCHITECT.

Copyright © 2022 by Syntony Design Collaborative, LLC

Drawing Revisions:

1 PLAN REVIEW COMMENTS
10.07.22

Drawing Date: 09/20/2022
Project number: 22000
Drawn By: DE
Checked By: DE

GEORGIA MOUNTAIN FOOD BANK
1642 CALVARY INDUSTRIAL DRIVE SW
GAINESVILLE, GA 30607

Drawing Description:
SITE LIGHTING PLANS

E-7



Submittal Spec Sheet
Dynamically Generated
Series: RSX3

Date: 6/6/2022
Project:
Group/Type:
Qty: 0

RSX3 LED Area Luminaire
Up to 41,000 lumens

Product Submittal Description:
RSX Area Size 3, LED, Package 2, 4000K, IES type II, 120V, Dark bronze finish, super durable



Product Webpage: www.acuitybrands.com/products/detail/RSX3
Warranty: www.acuitybrands.com/support/warranty/terms-and-conditions

Series*	LED Configuration*	Correlated Color Temperature*
RSX3 RSX Area Size 3	LED	3000K, 4000K, 5000K

Distribution*	Voltage*	Bird Deterrent
AFR Acts front row distribution	120, 120V	BS Bird spikes
AFRL Acts front row left rotated optics	208, 208V	
AFRR Acts front row right rotated optics	240, 240V	
R2 IES type II	277, 277V	
R3 IES type III asymmetric	347, 347V	
R3B Type III short	480, 480V	
R4 IES type IV forward throw	HVCLT 347-480V	
R4S Type IV short	MVCLT 120-277V	
R5 Type V distribution		

Shielding	Mounting	Mounting Option
EGV External glass full view shield	AASP Adjustable tilt arm round pole	S Integral Slighter
EGS External Glass Shield	AASP Adjustable tilt arm square pole	
HS House side shield	AARW Adjustable tilt arm wall bracket	
	AARWC Adjustable tilt arm wall bracket surface conduit	
	MA Mast arm adaptor, integral	
	RPA Round pole mounting	
	SPA Square pole mounting	
	WBA Wall mount bracket	

One Lithonia Way Corvallis, GA 30012 • Phone: 800-705-7378 • www.acuitybrands.com
© 2022 Acuity Brands Lighting, Inc. All rights reserved. Created Date: 6/6/2022 5:54 PM Page 1 of 2



Submittal Spec Sheet
Dynamically Generated
Series: RSX3

Date: 6/6/2022
Project:
Group/Type:
Qty: 0

Dimming Wires	Dimmable/Controllable	Receptacle Type	Photocell
DMC 0-10v dimming wires pulled outside fixture for use with external control (ordered separately)	NLTAR2 Night or gen 2 control	PER7 Seven-wire receptacle only (no control)	PE Photocell, built-in type PEX Photocell, built-in type, external threaded adjustable
Internal Control	Surge Protection	Field Adjustable	Fusing
INRKA Motion/ambient sensor 15-30FT. Networked	SP25KV Additional surge protection 20KV	FAD Field adjustable output	DF Double Fuse SF Single Fuse
Conduit Entry	Finish*	Assembled in America	
CE34 Conduit entry 3/4N NPT	DBLBDK Textured black, super durable DBLBDL Black finish, super durable DBLBDT Textured dark bronze, super durable DBLBDK Dark bronze finish, super durable DNALTYD Textured natural aluminum, super durable DNALXD Natural aluminum finish, super durable DWHKXD Textured white, super durable DWHRD White, super durable	BAA Buy American Act	

This is a dynamic specification sheet that is based on certain selections made by the user. All results generated are for informational purposes only. The user should validate the results with its agency sales representative to determine whether the product has been configured correctly before ordering. Acuity Brands Lighting is not responsible for any loss resulting from product configuration errors.

Not all versions of the product are available with all options. Specifications subject to change without notice.

Actual performance may differ as a result of end-user environment and application. All values are design or typical values, measured under laboratory conditions at 25 °C. See the full specification sheet at the product page link above for full product information and detailed ordering information. Certain asbestos contaminants can diminish the integrity of acrylic and/or polycarbonate. Visit: <http://www.acuitybrandslighting.com/library/documents/specsheets/acrylic-polycarbonate-compatibility.pdf> for Acrylic/Polycarbonate Compatibility table for suitable uses. All trademarks referenced are property of their respective owners.

One Lithonia Way Corvallis, GA 30012 • Phone: 800-705-7378 • www.acuitybrands.com
© 2022 Acuity Brands Lighting, Inc. All rights reserved. Created Date: 6/6/2022 5:54 PM Page 2 of 2

PERMIT SET. RELEASED OR ISSUED FOR CONSTRUCTION.

COMcheck Software Version 4.1.5.5 Mechanical Compliance Certificate

Project Information

Energy Code: 2015 IECC
 Project Title: Georgia Mountain Food Bank
 Location: Gainesville, Georgia
 Climate Zone: 4a
 Project Type: New Construction

Construction Site: 1642 Calvary Industrial Dr. SW, Gainesville, GA 30507
 Owner/Agent: _____
 Designer/Contractor: _____

Additional Efficiency Package(s)
 Credits: 1.0 Required 0.0 Proposed

Mechanical Systems List

Quantity	System Type & Description
1	ACHP-1 (Single Zone): Heating: 1 each - Central Furnace, Electric, Capacity = 8 kBtu/h No minimum efficiency requirement applies. Cooling: 1 each - Split System, Capacity = 30 kBtu/h, Air-Cooled Condenser, Unknown Economizer Proposed Efficiency = 14.00 SEER, Required Efficiency: 13.00 SEER Fan System: FAN SYSTEM 1 -- Compliance (Motor nameplate HP method) : Passes Fans: FAN 1 Supply, Constant Volume, 1000 CFM, 1.3 motor nameplate hp, 0.0 fan efficiency grade

Mechanical Compliance Statement

Compliance Statement: The proposed mechanical design represented in this document is consistent with the building plans, specifications, and other calculations submitted with this permit application. The proposed mechanical systems have been designed to meet the 2015 IECC requirements in COMcheck Version 4.1.5.5 and to comply with any applicable mandatory requirements listed in the Inspection Checklist.

Darryl Bibbs
 Name - Title: _____
 Signature: _____ Date: 07/14/2022

Project Title: Georgia Mountain Food Bank
 Data filename: C:\Users\mbibbi\Dropbox\Engineering\Everett Engineering\Georgia Mountain Food Bank\HVAC\Calculations\COMcheck.cck
 Report date: 07/14/22
 Page 1 of 9

REFRIGERATION SPLIT SYSTEM SCHEDULE

SYSTEM	CAPACITY (MBH)	CFM	NUMBER OF EVAPORATORS	NUMBER OF CONDENSERS	BASIS OF DESIGN EVAPORATOR	BASIS OF DESIGN CONDENSER	NOTES
WALK-IN COOLER			2	1	HEAT CRAFT - CEM1115MSBAMB	HEAT CRAFT - CCV0150MDACD	1,2,3,5,6
WALK-IN FREEZER			2	1	HEAT CRAFT - CEM0850DS6MAB0403	HEAT CRAFT - CCH0150LDACD	1,2,3,5,6
COLD DECK			2	1	HEAT CRAFT - CEH1053DS6AYAB0450	HEAT CRAFT - CCV0200MDACD	1,2,3,5,6

NOTES:

- COORDINATE ELECTRICAL REQUIREMENTS WITH ELECTRICAL CONTRACTOR PRIOR TO PLACING ORDER FOR EQUIPMENT.
- PROVIDE AIR DEFROST TIMER OPTION.
- PROVIDE CRANKCASE HEATER.
- CONDENSERS SHALL OPERATE AS LEAD LAG SYSTEM.
- PROVIDE STAGGERED CONNECTIONS BETWEEN CONDENSERS.
- REFER TO MANUFACTURER'S REQUIREMENTS FOR INSTALLATION.

SPLIT SYSTEM AIR CONDITIONING SCHEDULE

MARK	CFM	MIN OA CFM	ESP IN WC	HP	COOLING		OUTDOOR BASIS OF DESIGN	INDOOR BASIS OF DESIGN	MIN SEER	INDOOR WEIGHT	NOTES
					NOMINAL TONNAGE	KW					
AC/HP-1	1000	-	0.5	1/3	2.5	8.0	GOODMAN ARUF31B14	GOODMAN GSZ14030	14.0	110	ALL

NOTES:

- REFER TO ELECTRICAL DRAWINGS FOR SERVICE VOLTAGE CHARACTERISTICS.
- HEAT PUMP SHALL BE RATED FOR 95 DEGREES F.
- PROVIDE FACTORY INSTALLED ELECTRIC HEATER WITH SINGLE POINT CONNECTION.
- PROVIDE LONG LINE KIT AND ALL MANUFACTURER'S RECOMMENDED ACCESSORIES FOR REFRIGERANT LINE LENGTHS OVER THE STANDARD THE MANUFACTURER'S STANDARD LENGTH.
- PROVIDE TXV KIT MATCHED TO COIL.
- PROVIDE DRAIN PAN WITH AUTO SHUT OFF SWITCH.
- INCLUDE 1' FLAT PLEATED FILTER AND 1 SPARE SIZED FOR UNIT.

FAN SCHEDULE

MARK	CFM	S.P. WG	MOTOR HP	TYPE	BASIS OF DESIGN	LOCATION/SERVICE	NOTES
VEE-1	300	0.20	1/4	SIDEWALL	GREENHECK - SBE-1H20-4	KILN ROOM	ALL

NOTES:

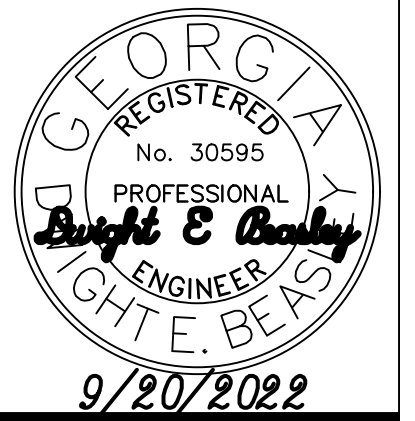
- REFER TO ELECTRICAL DRAWINGS FOR SERVICE VOLTAGE CHARACTERISTICS.
- PROVIDE BACKDRAFT DAMPER, SPEED CONTROLLER MOUNTED AT FAN, AND DISCONNECT SWITCH.

AIR DISTRIBUTION SCHEDULE

MARK	TYPE	SIZE IN INCHES		FINISH	O.B.D.	BASIS OF DESIGN	NOTES
		NECK	FACE				
(A)	SUPPLY	1	24X24 OR 12X12	WHITE	YES	TITUS TMSA-A	2
(B)	RETURN	--	24X24	WHITE	NO	TITUS 50F	2,3
(E)	EXHAUST	1	1	WHITE	NO	TITUS 350ZFL	2

NOTES:

- NECK SIZE AS INDICATED ON FLOOR PLAN.
- DIFFUSER FRAME STYLE SHALL MATCH CEILING IN WHICH IT IS INSTALLED. SEE ARCHITECTURAL DRAWINGS.
- ALL VISIBLE PORTIONS ABOVE GRILLE SHALL BE PAINTED BLACK.



THIS DRAWING AS AN INSTRUMENT OF SERVICE IS AND SHALL REMAIN THE PROPERTY OF THE ARCHITECT AND SHALL NOT BE REPRODUCED, PUBLISHED OR USED IN ANY WAY WITHOUT THE PERMISSION OF THE ARCHITECT.
 Copyright © 2022 by Syntony Design Collaborative, LLC

Drawing Revisions:

- PLAN REVIEW COMMENTS 10.07.22

Drawing Date: 09/20/2022

Project number: 220001

Drawn By: DMB

Checked By: DEB

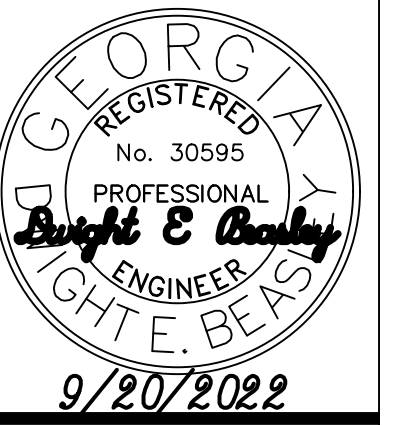
GEORGIA MOUNTAIN FOOD BANK
 1642 CALVARY INDUSTRIAL DRIVE SW
 GAINESVILLE, GA 30507

Drawing Description:
MECHANICAL SCHEDULES

M0.2

By reviewing the drawings for Code Compliance, the user, design professional, contractor or their representative from the responsibility to comply with all local, state and national codes and standards in effect at time of permit issuance. Our review is not a check of every item and does not prevent the department from requiring corrections during construction. Any changes/alterations to approved plans shall be approved to avoid voiding the permit.

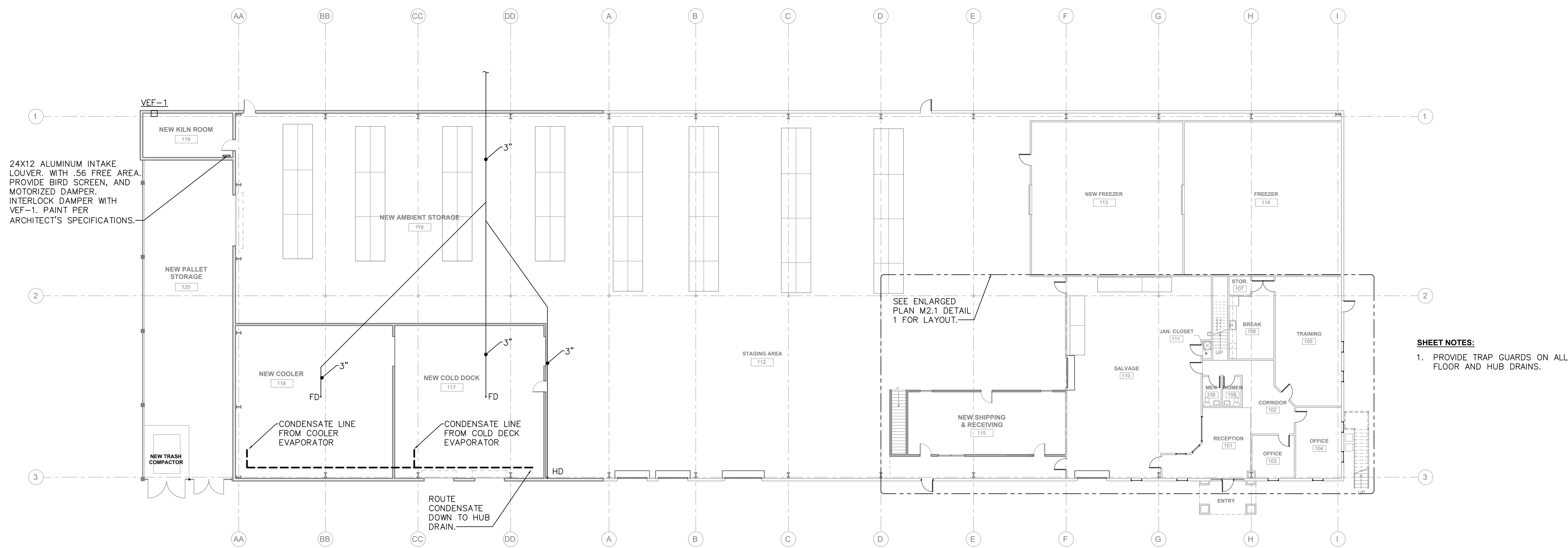
PERMIT SET. RELEASED OR ISSUED FOR CONSTRUCTION.



THIS DRAWING AS AN INSTRUMENT OF SERVICE IS AND SHALL REMAIN THE PROPERTY OF THE ARCHITECT AND SHALL NOT BE REPRODUCED, PUBLISHED OR USED IN ANY WAY WITHOUT THE PERMISSION OF THE ARCHITECT
Copyright © 2022 by Syntony Design Collaborative, LLC

Drawing Revisions:
1 PLAN REVIEW COMMENTS
10.07.22

Drawing Date: 09/20/2022
Project number: 220001
Drawn By: DMB
Checked By: DEB



SHEET NOTES:
1. PROVIDE TRAP GUARDS ON ALL FLOOR AND HUB DRAINS.

NORTH

1 OVERALL 1ST FLOOR PLAN - MECHANICAL
1/16" = 1'-0"

GEORGIA MOUNTAIN FOOD BANK
1642 CALVARY INDUSTRIAL DRIVE SW
GAINESVILLE, GA 30507

Drawing Description:
OVERALL 1ST FLOOR PLAN - MECHANICAL

M1.1

By reviewing this plan/issue for Code Compliance, date not shown, the engineer design professional, contractor or their representative from the responsibility to comply with all local, state and national codes and standards in effect at time of permit issuance. Our review is not a check of every item and does not prevent the department from requiring corrections during construction. Any change/alterations to approved plans shall be approved by voiding the permit.

PERMIT SET. RELEASED OR ISSUED FOR CONSTRUCTION.



THIS DRAWING AS AN INSTRUMENT OF SERVICE IS AND SHALL REMAIN THE PROPERTY OF THE ARCHITECT AND SHALL NOT BE REPRODUCED, PUBLISHED OR USED IN ANY WAY WITHOUT THE PERMISSION OF THE ARCHITECT.
Copyright © 2022 by Syntony Design Collaborative, LLC

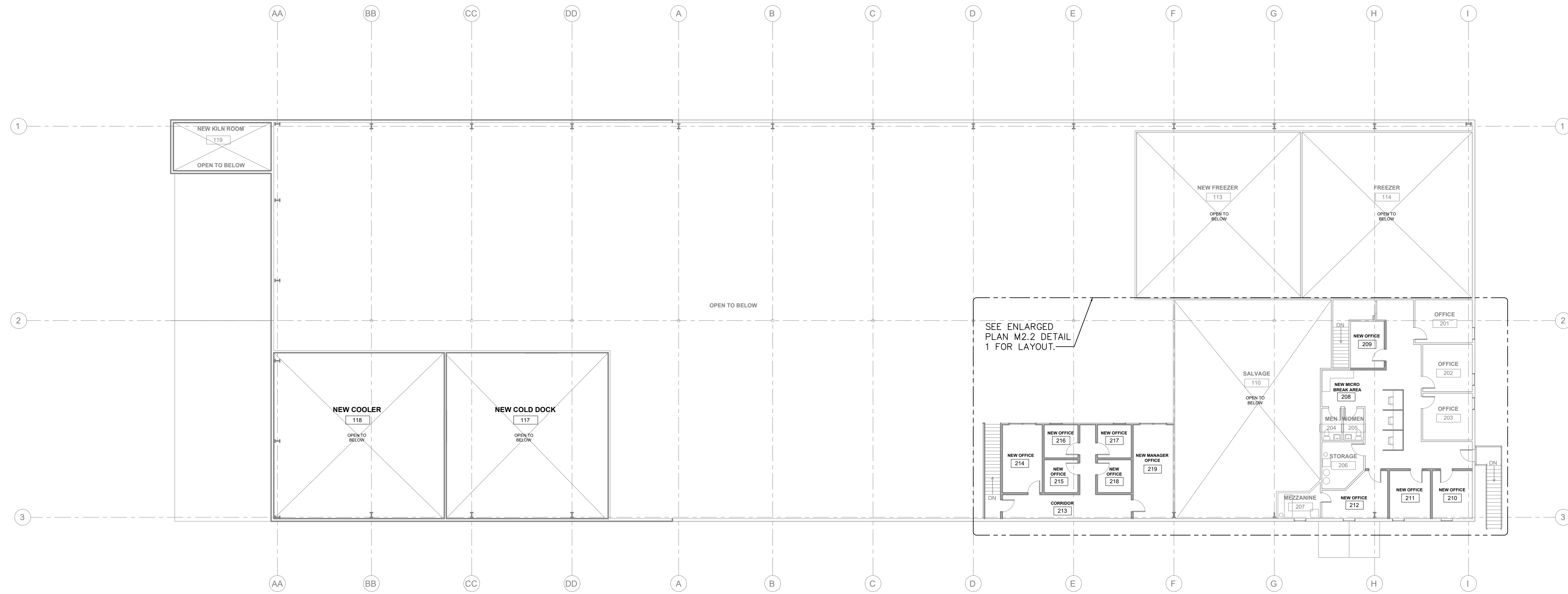
Drawing Revisions:
1 PLAN REVIEW COMMENTS
10.07.22

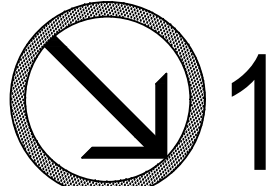
Drawing Date: 09/20/2022
Project number: 220001
Drawn By: DMB
Checked By: DEB

GEORGIA MOUNTAIN FOOD BANK
1642 CALVARY INDUSTRIAL DRIVE SW
GAINESVILLE, GA 30507

Drawing Description:
OVERALL 2ND FLOOR PLAN - MECHANICAL

M1.2



NORTH
 **1** OVERALL 2ND FLOOR PLAN - MECHANICAL
 1/16" = 1'-0"

GEORGIA MOUNTAIN FOOD BANK
 1642 CALVARY INDUSTRIAL DRIVE SW
 GAINESVILLE, GA 30507
 By reviewing the drawings for Code Compliance, date not shown, the engineer design professional, contractors or their representatives from the responsibility to comply with all local, state and national codes and standards in effect at time of permit issuance. Our review is not a check of every item and does not prevent the department from requiring corrections during construction. Any changes/alterations to approved plans shall be approved to avoid voiding the permit.

PERMIT SET. RELEASED OR ISSUED FOR CONSTRUCTION.



THIS DRAWING AS AN INSTRUMENT OF SERVICE IS AND SHALL REMAIN THE PROPERTY OF THE ARCHITECT AND SHALL NOT BE REPRODUCED, PUBLISHED OR USED IN ANY WAY WITHOUT THE PERMISSION OF THE ARCHITECT.
Copyright © 2022 by Syntony Design Collaborative, LLC

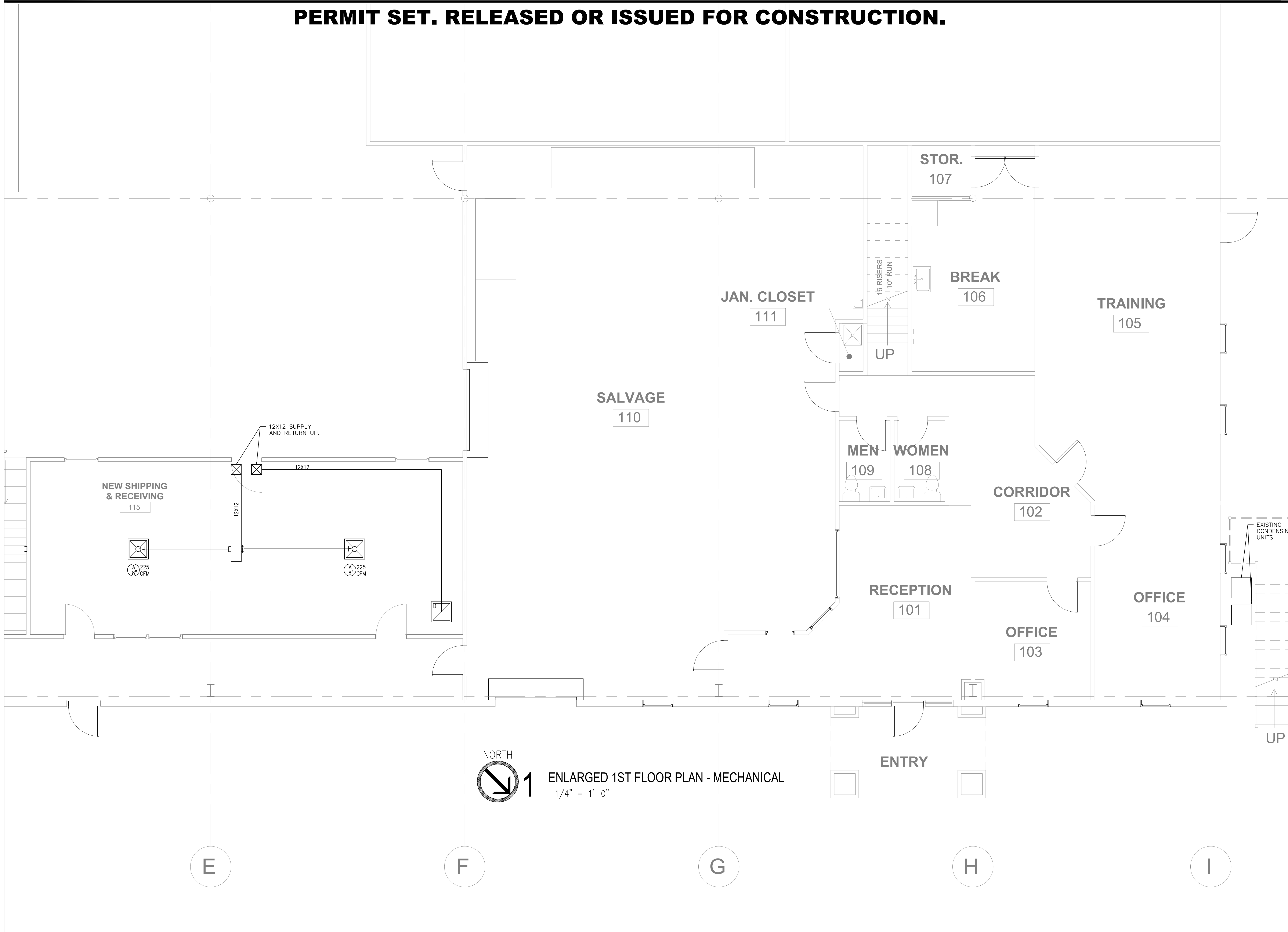
Drawing Revisions:
1 PLAN REVIEW COMMENTS
10.07.22

Drawing Date: 09/20/2022
Project number: 220001
Drawn By: DMB
Checked By: DEB

GEORGIA MOUNTAIN FOOD BANK
1642 CALVARY INDUSTRIAL DRIVE SW
GAINESVILLE, GA 30507

Drawing Description:
ENLARGED 1ST FLOOR PLAN - MECHANICAL

M2.1



NORTH
 1 ENLARGED 1ST FLOOR PLAN - MECHANICAL
1/4" = 1'-0"

E

F

G

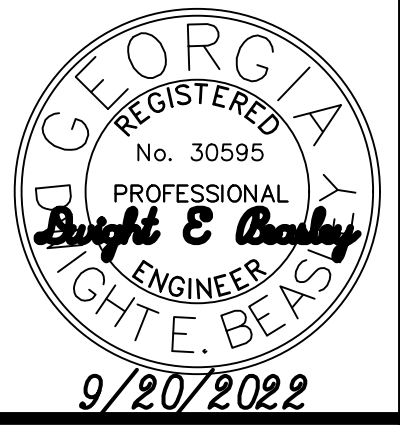
H

I

By reviewing the drawings for Code Compliance, date not shown, the engineer, design professional, contractor or their representatives from the responsibility to comply with all local, state and national codes and standards in effect at time of permit issuance. Our review is not a check of every item and does not prevent the department from requiring corrections during construction. Any corrections to approved plans shall be approved by voiding the permit.



PERMIT SET. RELEASED OR ISSUED FOR CONSTRUCTION.



THIS DRAWING AS AN INSTRUMENT OF SERVICE IS AND SHALL REMAIN THE PROPERTY OF THE ARCHITECT AND SHALL NOT BE REPRODUCED, PUBLISHED OR USED IN ANY WAY WITHOUT THE PERMISSION OF THE ARCHITECT.
Copyright © 2022 by Syntony Design Collaborative, LLC

Drawing Revisions:
1 PLAN REVIEW COMMENTS 10.07.22

Drawing Date: 09/20/2022
Project number: 220001
Drawn By: DMB
Checked By: DEB

GEORGIA MOUNTAIN FOOD BANK
1642 CALVARY INDUSTRIAL DRIVE SW
GAINESVILLE, GA 30507

Drawing Description:
ENLARGED 2ND FLOOR PLAN - MECHANICAL

M2.2

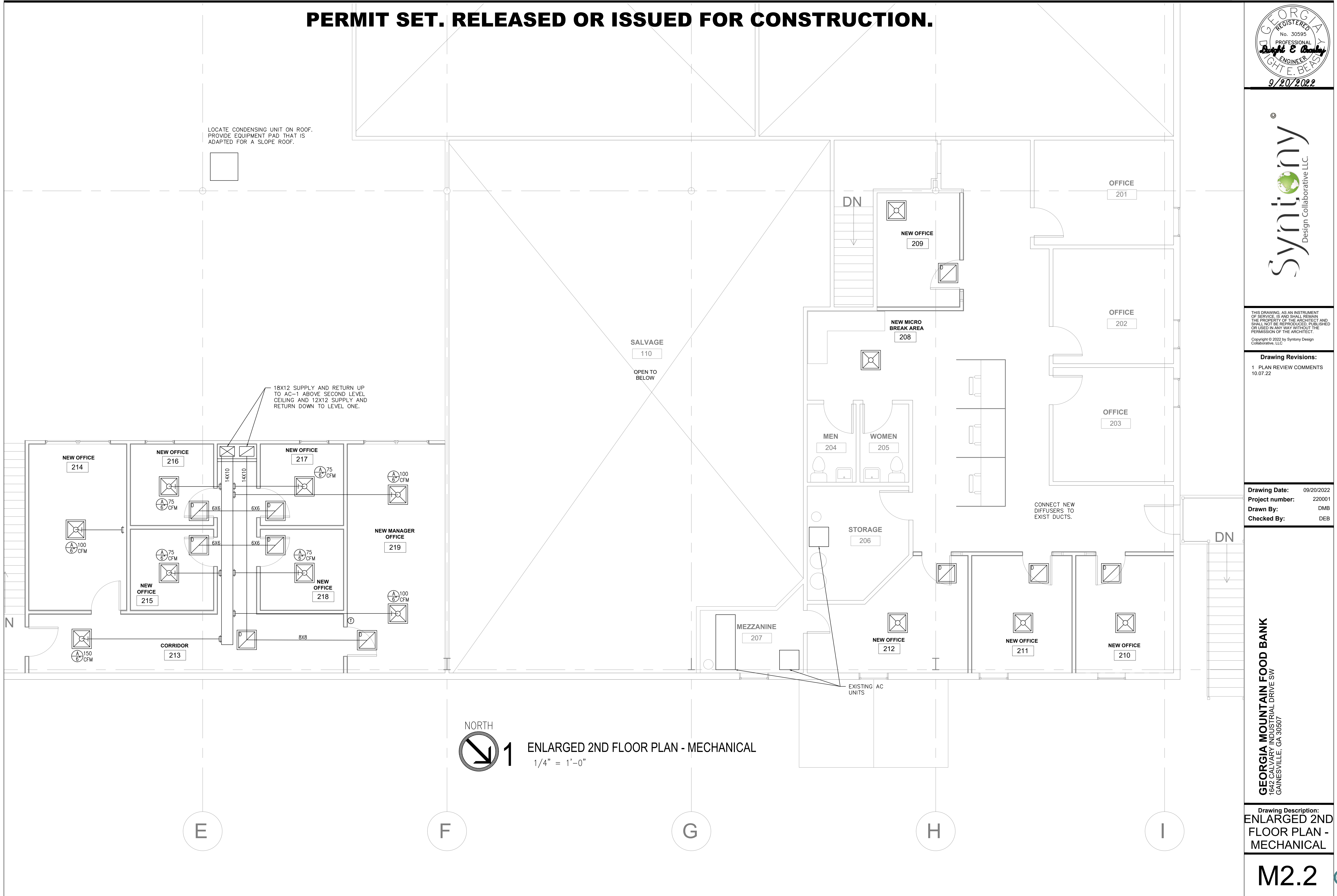
LOCATE CONDENSING UNIT ON ROOF. PROVIDE EQUIPMENT PAD THAT IS ADAPTED FOR A SLOPE ROOF.

18X12 SUPPLY AND RETURN UP TO AC-1 ABOVE SECOND LEVEL CEILING AND 12X12 SUPPLY AND RETURN DOWN TO LEVEL ONE.

SALVAGE
110
OPEN TO BELOW

CONNECT NEW DIFFUSERS TO EXIST DUCTS.

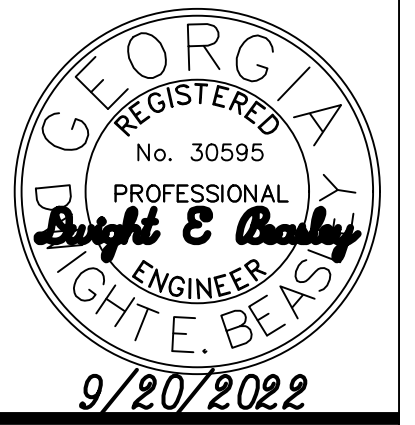
EXISTING AC UNITS



1 NORTH
ENLARGED 2ND FLOOR PLAN - MECHANICAL
1/4" = 1'-0"

GEORGIA MOUNTAIN FOOD BANK
 1642 CALVARY INDUSTRIAL DRIVE SW
 GAINESVILLE, GA 30507
 By reviewing the drawings for Code Compliance, the user, design professional, contractor or their representative, is responsible to comply with all local, state and national codes and standards in effect at time of permit issuance. Our review is not a check of every item and does not prevent the department from requiring corrections during construction. Any change/alterations to approved plans shall be approved to avoid voiding the permit.

PERMIT SET. RELEASED OR ISSUED FOR CONSTRUCTION.



THIS DRAWING AS AN INSTRUMENT OF SERVICE IS AND SHALL REMAIN THE PROPERTY OF THE ARCHITECT AND SHALL NOT BE REPRODUCED, PUBLISHED OR USED IN ANY WAY WITHOUT THE PERMISSION OF THE ARCHITECT.
Copyright © 2022 by Syntony Design Collaborative, LLC

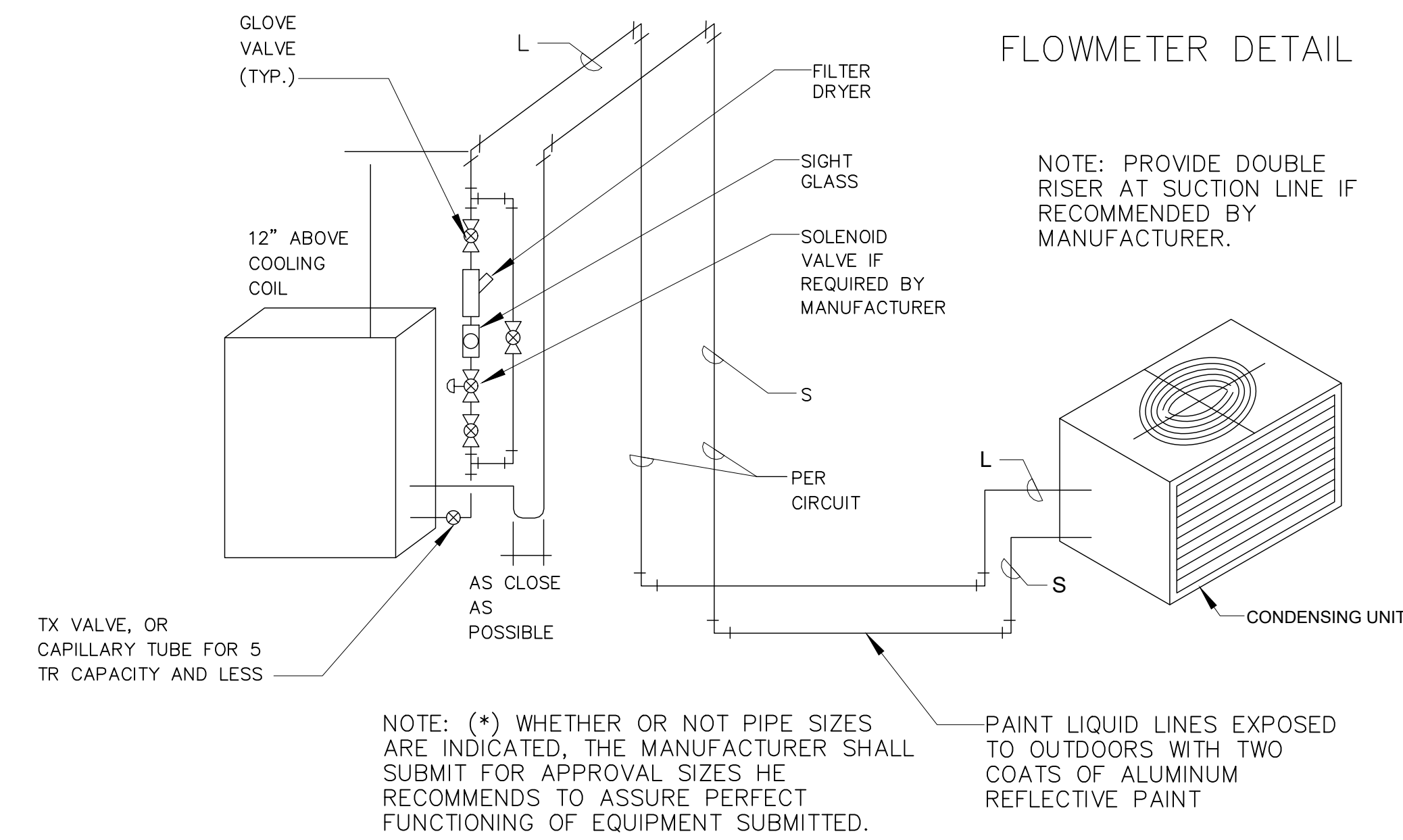
Drawing Revisions:
1 PLAN REVIEW COMMENTS
10.07.22

Drawing Date: 09/20/2022
Project number: 220001
Drawn By: DMB
Checked By: DEB

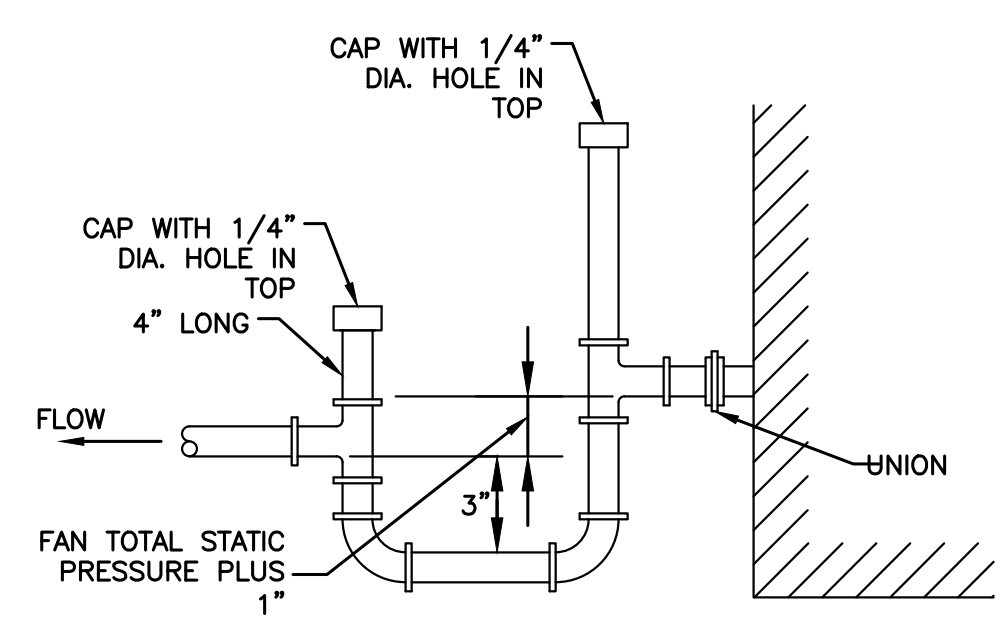
GEORGIA MOUNTAIN FOOD BANK
1642 CALVARY INDUSTRIAL DRIVE SW
GAINESVILLE, GA 30507

Drawing Description:
MECHANICAL
DETAILS

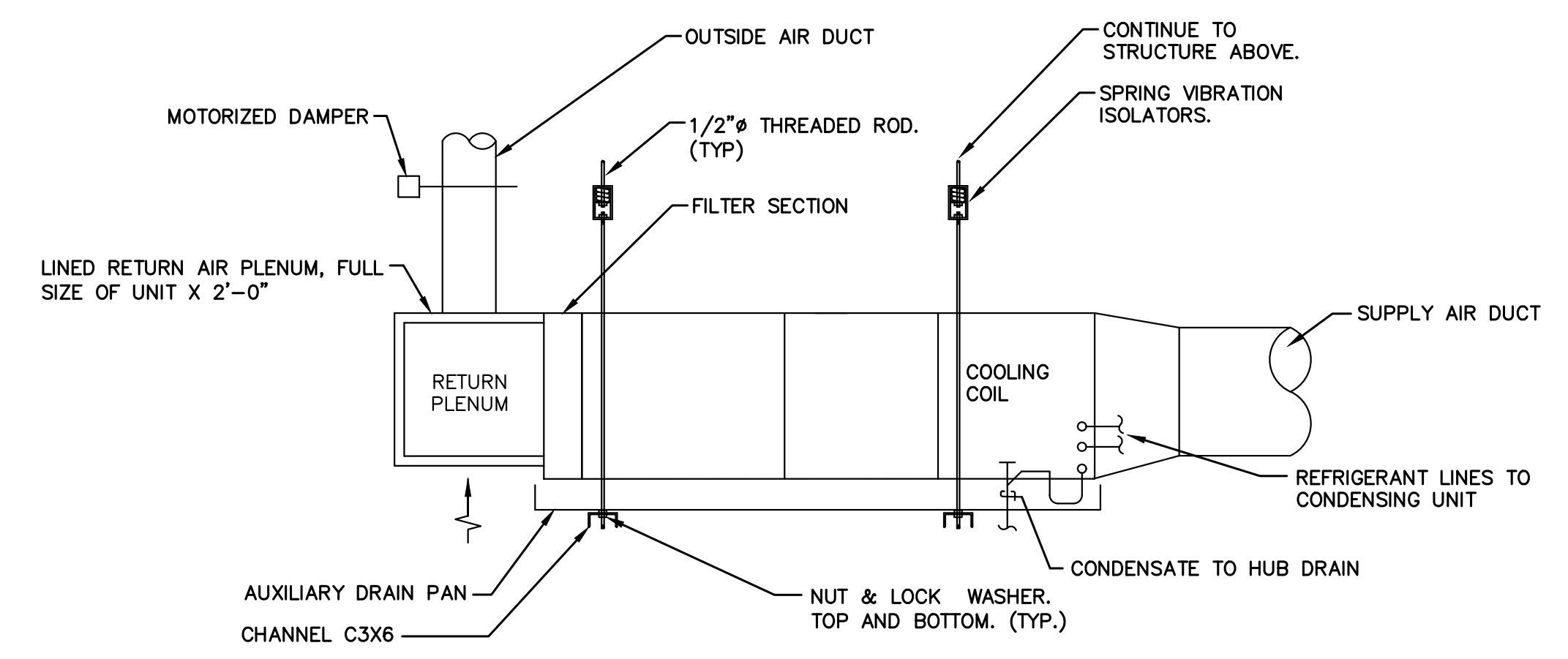
M3.1



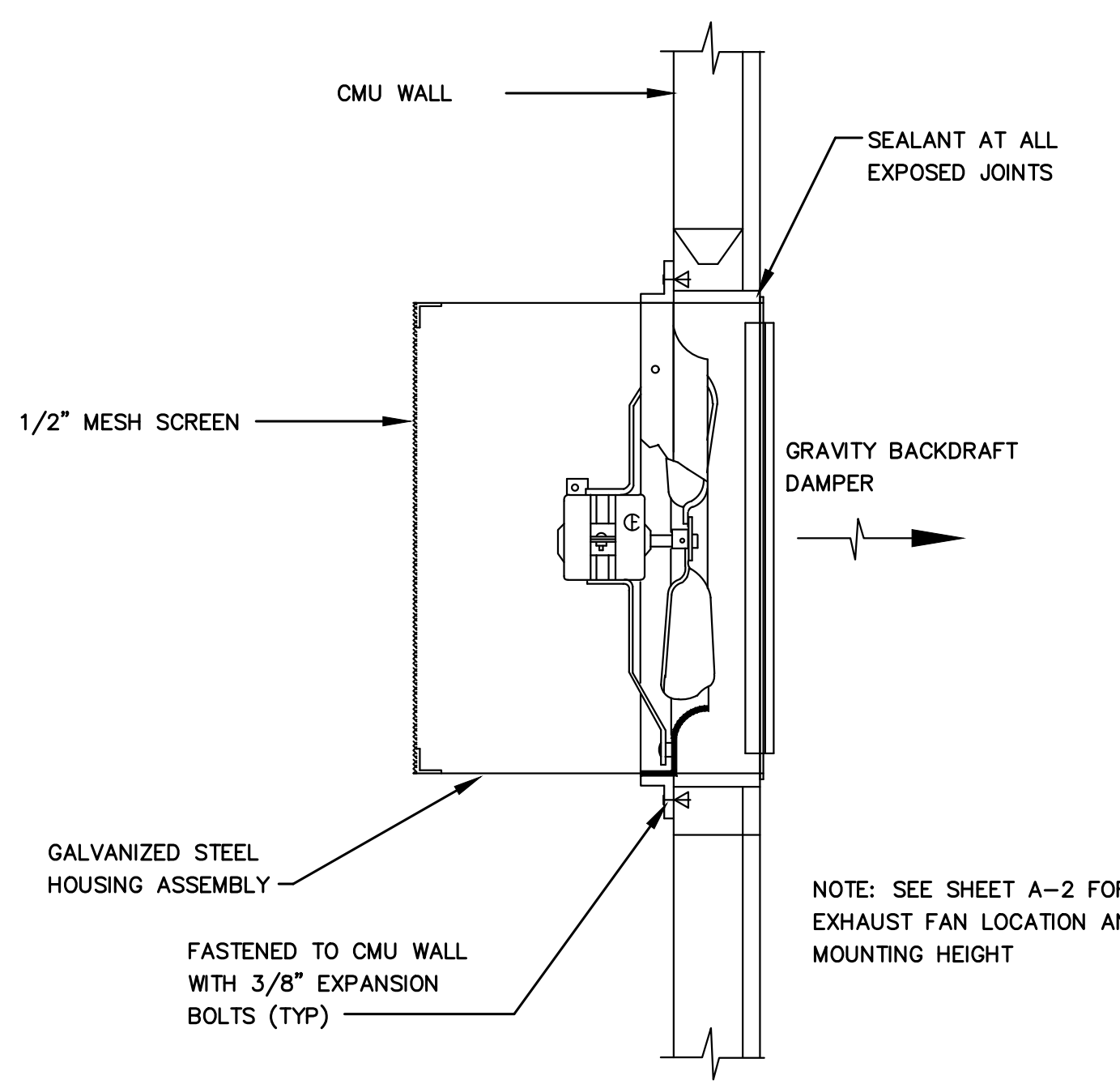
3 REFRIGERANT LINES SCHEMATIC
SCALE: NTS



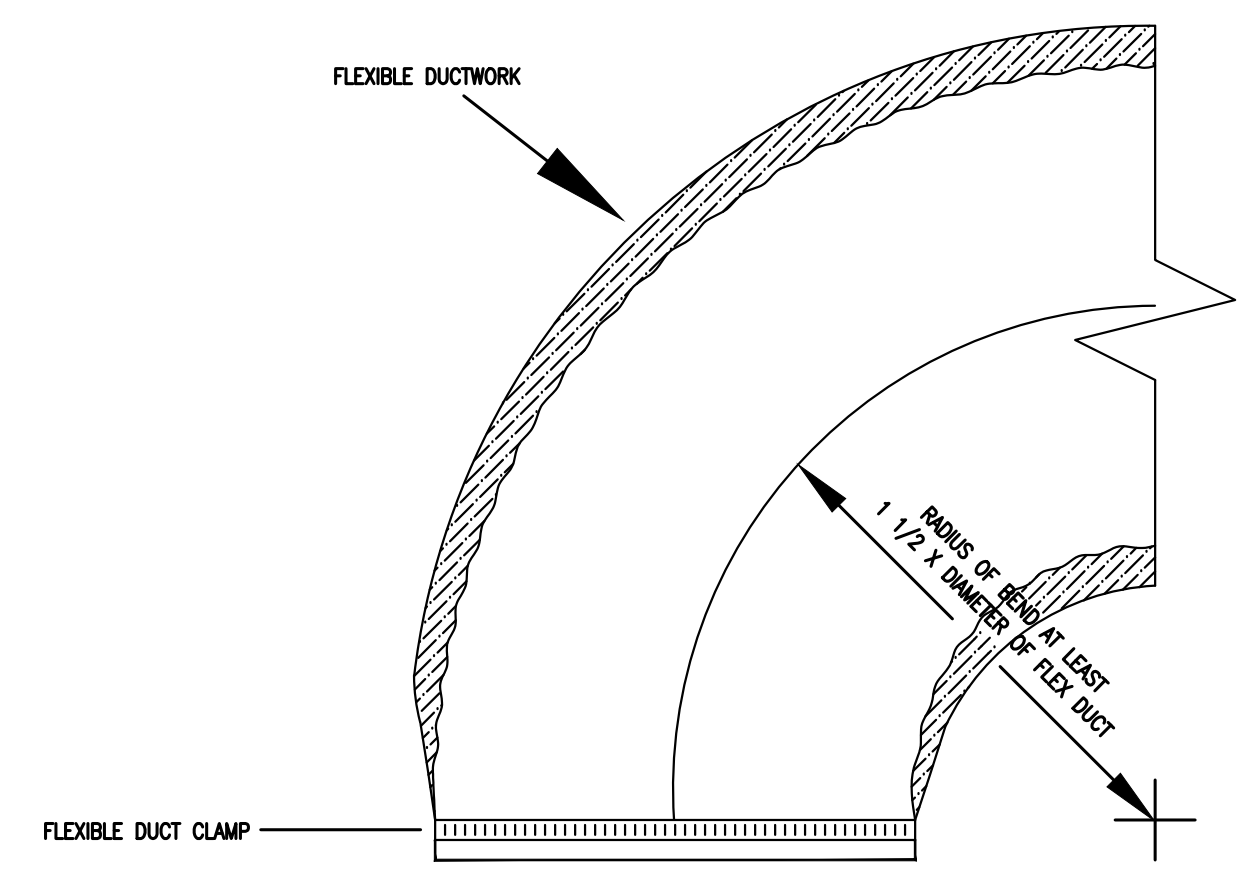
2 CONDENSATE DRAIN TRAP DETAIL
SCALE: NTS



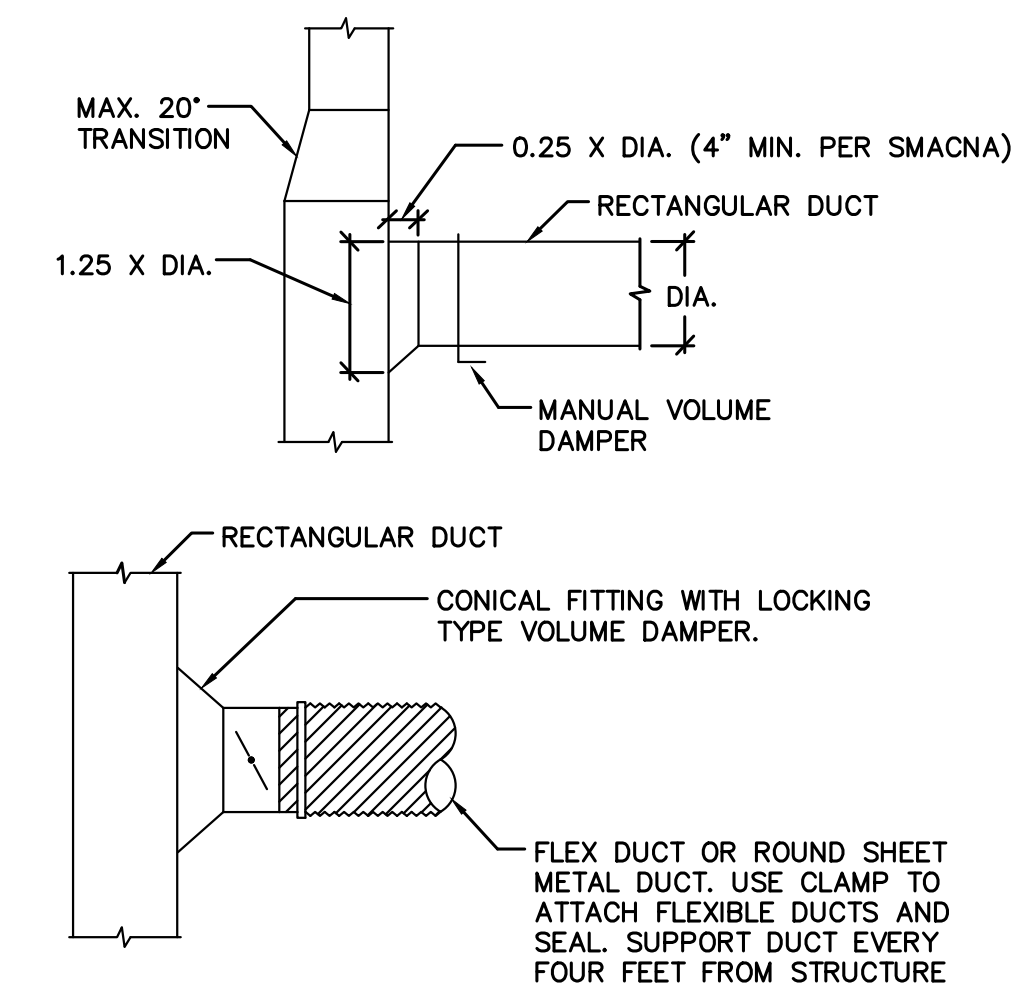
1 HORIZONTAL AC MOUNTING DETAIL
SCALE: NTS



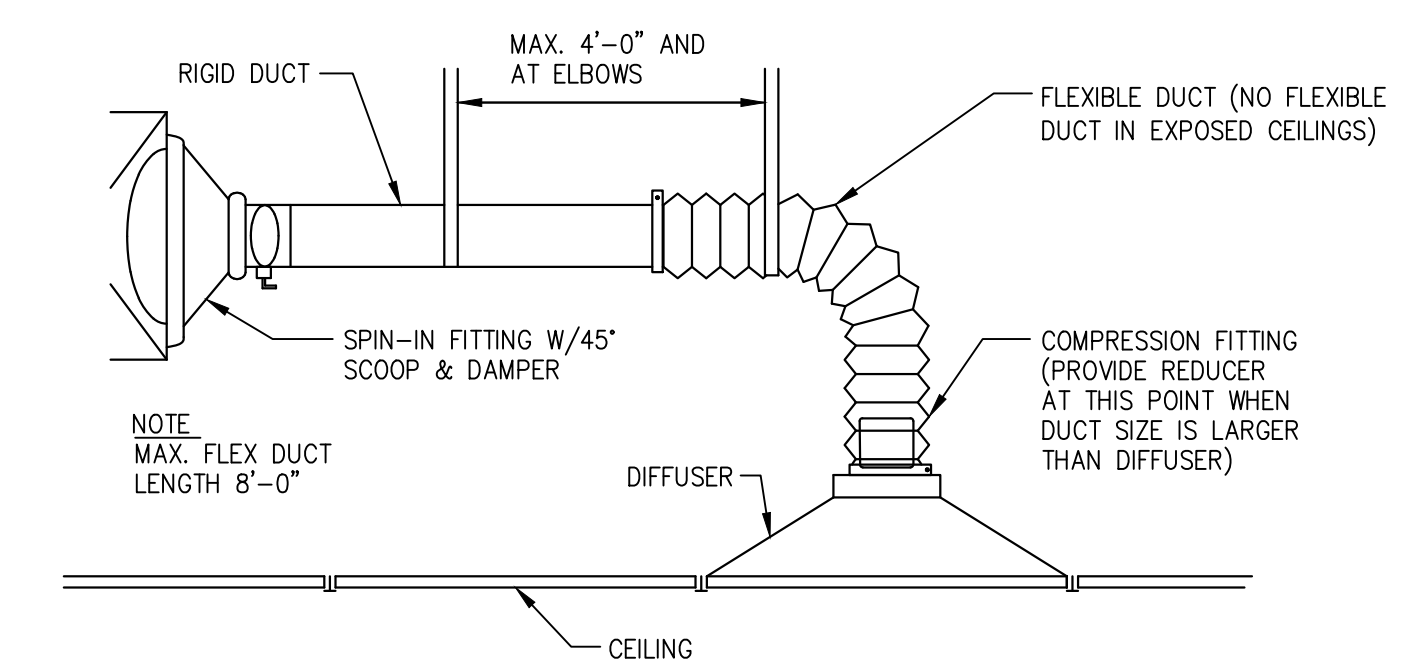
7 WALL MOUNTED EXHAUST FAN
SCALE: NTS



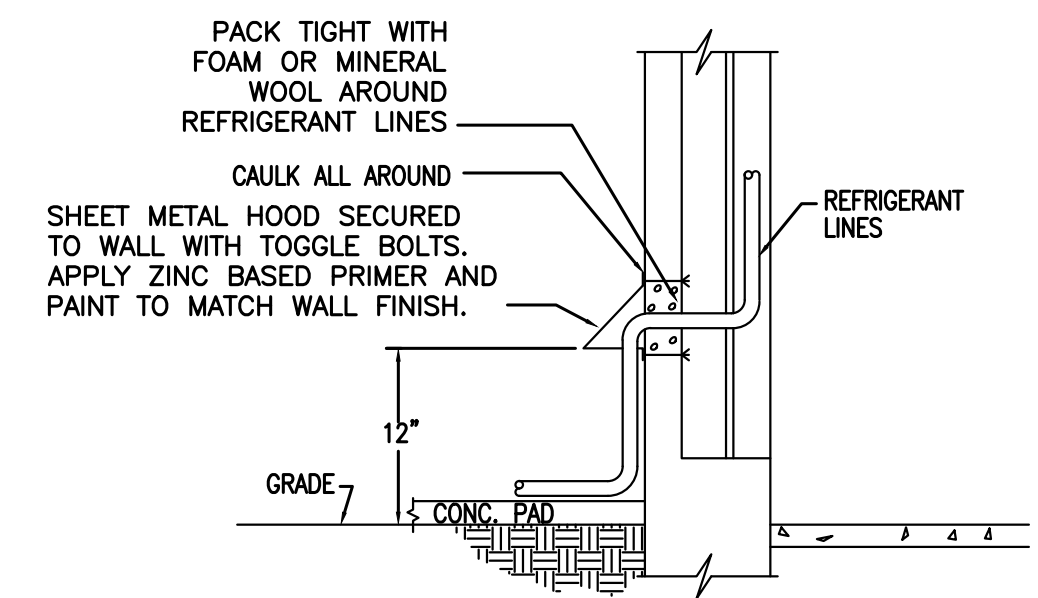
6 FLEXIBLE DUCT WITH CLAMP DETAIL
SCALE: NTS



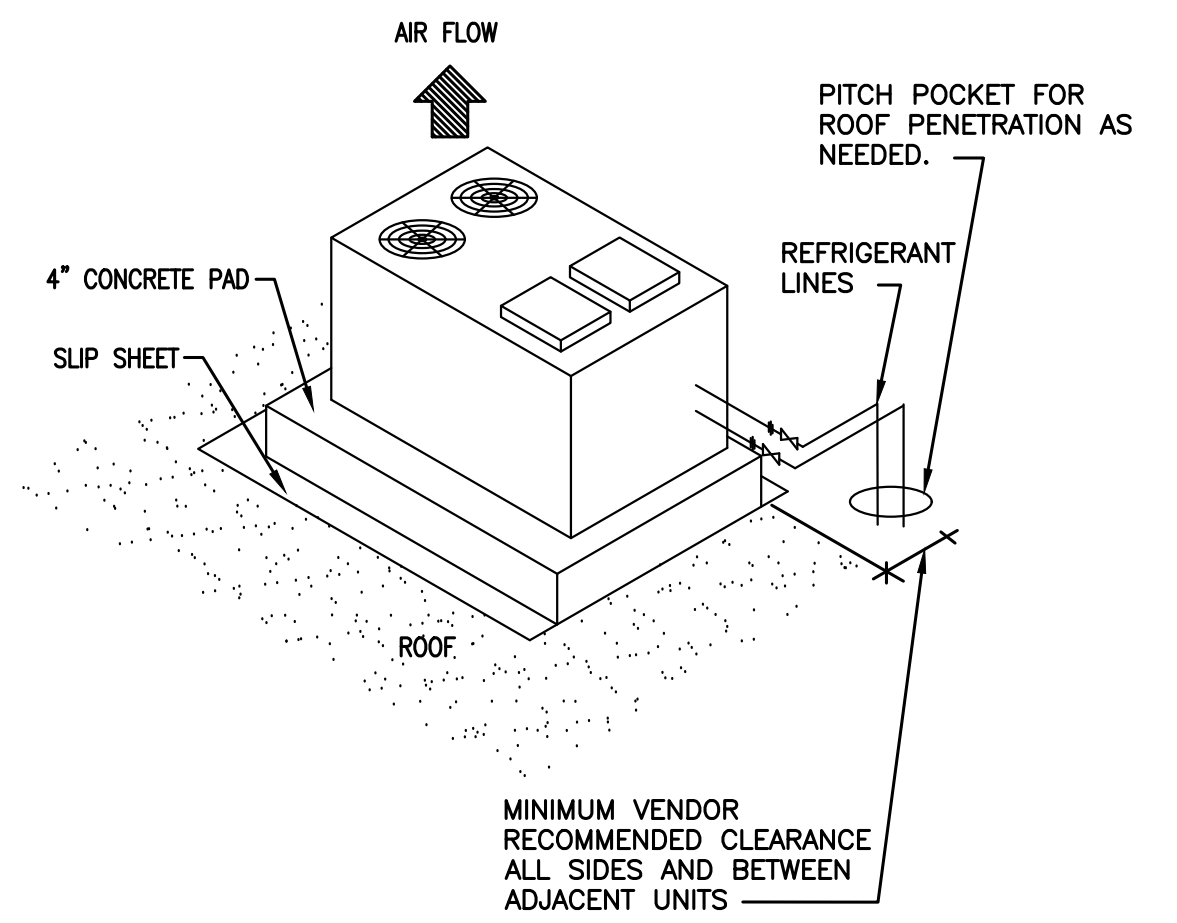
5 BRANCH DUCT DETAIL
SCALE: NTS



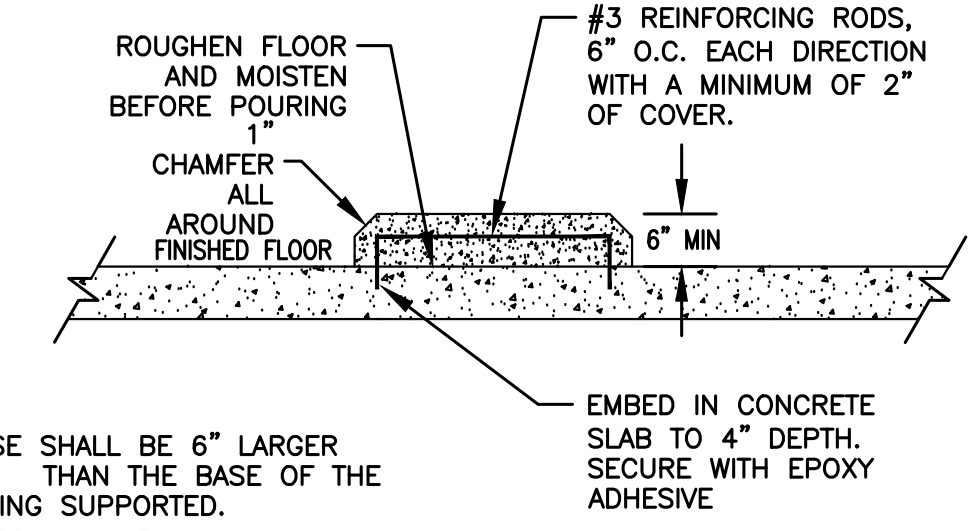
4 CEILING DIFFUSER DETAIL
SCALE: NTS



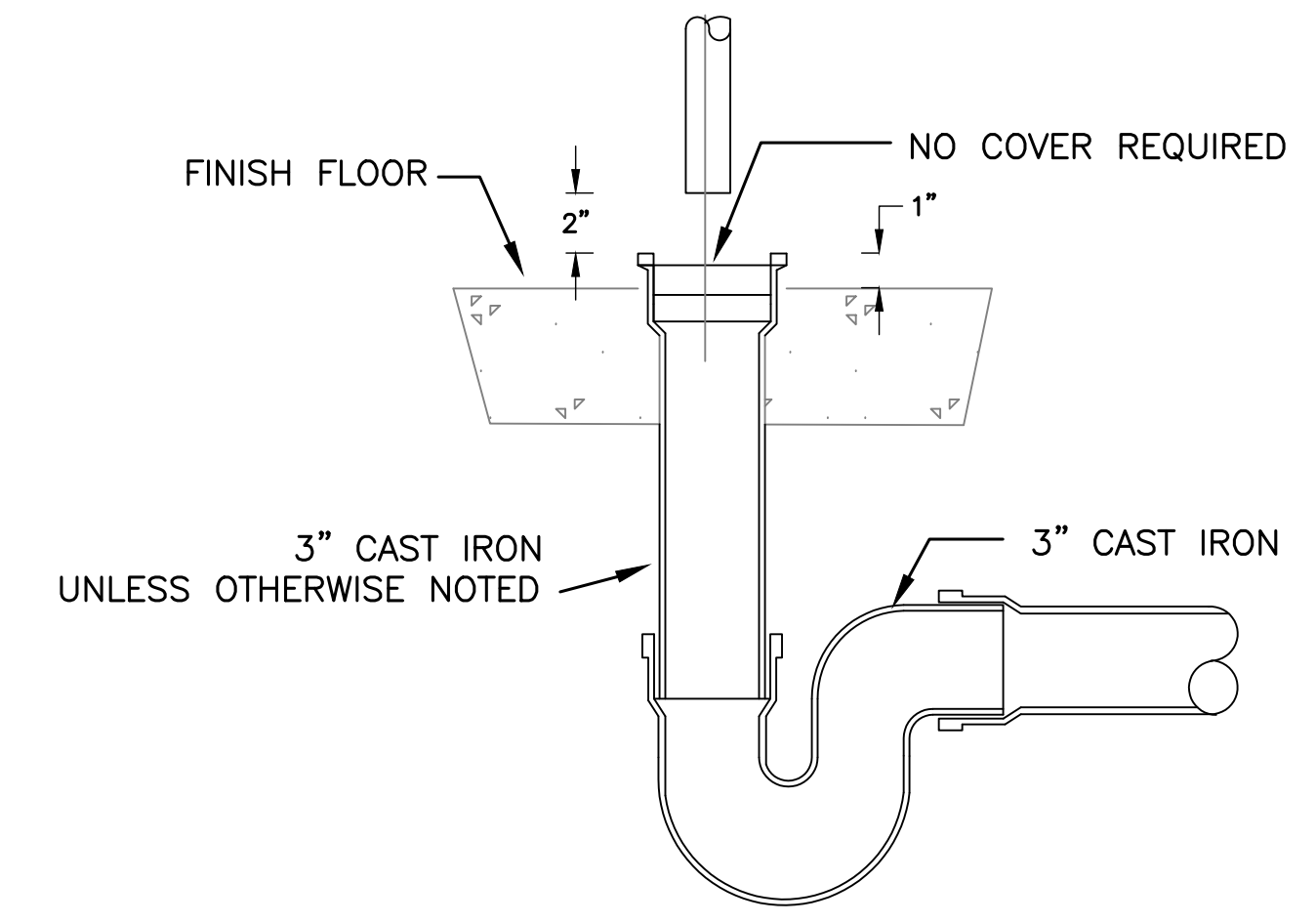
11 REFRIG. PIPE EXTERIOR WALL PENETRATION
SCALE: NTS



10 ROOF MOUNTED CONDENSING UNIT DETAIL
SCALE: NTS



9 EQUIPMENT CONCRETE BASE DETAIL
SCALE: NTS



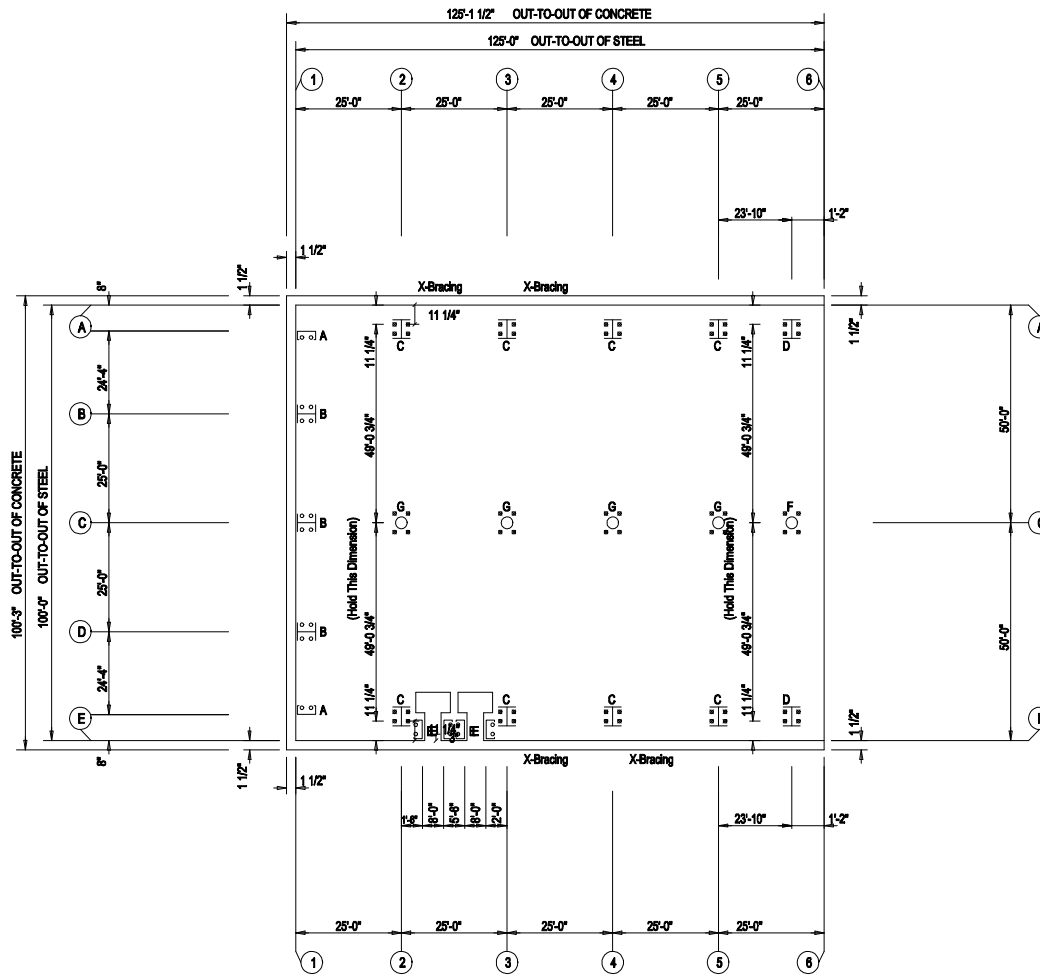
8 HUB DRAIN DETAIL
SCALE: NTS

- NOTES:**
1. PIPING SHALL BE FULL SIZE OF DRAIN PAN CONNECTION, OR 1" MINIMUM.
 2. PIPE TO NEAREST FLOOR DRAIN.
 3. LOCATE TRAPS SO AS TO BE ACCESSIBLE FOR CLEANING.
 4. INSULATE DRAIN PIPING PER SPECIFICATIONS.
 5. PVC PIPE LOCATED IN PLENUM SPACE SHALL BE WRAPPED IN FIRE RATED INSULATION.
 6. SLOPE PIPING DOWN 1/3" PER FOOT IN DIRECTION OF FLOW.
 7. PIPING SHOULD REPRESENT SCREWED FITTINGS. REFER TO SPECIFICATIONS FOR PIPING MATERIAL, FITTINGS AND INSTALLATION REQUIREMENTS.

CONTRACT NO. 18100033 By reviewing the plans for Code Compliance, the user, design professional, contractor or their representatives from the responsibility to comply with all local, state and national codes and standards in effect at time of permit issuance. Our review is not a check of every item and does not prevent the department from requiring corrections during construction. Any corrections to approved plans shall be approved to avoid voiding the permit.

○ Dia= 5/8"

⊗ Dia= 3/4"



ANCHOR BOLT PLAN
 NOTE: All Base Plates @ 100'-0" (U.N.)

IMPORTANT!
 Do Not Set Anchor Rods with these Preliminary Drawings.

Whirlwind Steel Buildings will not be responsible for the location of the anchor rods on the Preliminary Drawings.

PRELIMINARY DRAWINGS:
 These drawings are the initial plans prepared by the sales team to provide a means of communication between the customer and Whirlwind Steel Buildings, Inc. These plans are NOT intended to be used for construction.



P.O. BOX 75280
 HOUSTON, TX 77234
 © 2005 Whirlwind Steel Buildings Inc. All rights reserved.

PH: 800-324-9992
 FAX: 832-553-4600

DESC: ANCHOR BOLT PLAN	BLDG SIZE: 100'-0" x 125'-0" x 22'-6"
CUSTOMER: Sintony Design	LOCATION: City, State Zip
REFERENCE: Georgia Mountain Food Bank	
JOB SITE: Gainesville, GA 30507	COUNTY: Hall
DATE: 9/20/22	QUOTE NO. GA1078
	DWG NO. PRELIM
	ISSUE

ALL RIGHTS RESERVED. THIS DRAWING IS THE PROPERTY OF WHIRLWIND STEEL BUILDINGS, INC. AND IS NOT TO BE REPRODUCED, COPIED, OR TRANSMITTED IN ANY FORM OR BY ANY MEANS, ELECTRONIC OR MECHANICAL, WITHOUT THE WRITTEN PERMISSION OF WHIRLWIND STEEL BUILDINGS, INC.

