



# OCEANBOTICS™

---

15375 Barranca Pkwy, Suite I-112, Irvine, CA 92618 USA Tel (949) 656-8038 x38

Date: 10/3/2022

**Subject: Sole Source Products**

Dear Sir or Madam,

This letter is to confirm that the Oceanbotics SRV-8 ROV and SRV-8X ROV systems are sole source product(s), manufactured, sold, and distributed exclusively by Oceanbotics, a division of RJE International; nor any other company, makes a similar or competing product. This product must be purchased directly by institutions from Oceanbotics at the address listed above.

SRV-8 Patent Number: D922301

There is no other like item(s) or product(s) available for purchase that would serve the same purpose or function as the SRV-8 and there is only one price for the above name(s) item(s) or product(s) because of exclusive distribution rights.

If you desire additional information, do not hesitate to contact me at (559) 273-5455 at any time or visit our website at [www.oceanbotics.com](http://www.oceanbotics.com).

We appreciate the opportunity to partner with your agency.

Respectfully,

Waylon Price

*Waylon Price*

Sales Manager  
Oceanbotics



US00D922301S

(12) **United States Design Patent** (10) Patent No.: **US D922,301 S**  
Engle (45) Date of Patent: **\*\* Jun. 15, 2021**

(54) **UNDERWATER ROBOTIC VEHICLE** 2015/0136012 A1\* 5/2015 Williams ..... B25J 9/08  
114/312

(71) Applicant: RJE Ocean Robotics LLC, Irvine, CA (US) 2015/0225049 A1\* 8/2015 Fairfield ..... B63G 8/001  
89/1.13

(72) Inventor: Ryan Engle, San Diego, CA (US) 2016/0114887 A1\* 4/2016 Zhou ..... H04N 5/265  
348/148

(73) Assignee: RJE Oceanbotics LLC, Irvine, CA (US) 2016/0229503 A1\* 8/2016 Sheard ..... B63G 8/22  
2017/0088242 A1\* 3/2017 Oledzki ..... B63G 8/001  
2018/0203449 A1\* 7/2018 Tavares ..... B64D 47/08  
2018/0251199 A1\* 9/2018 Radford ..... B25J 9/0087  
2018/0312023 A1\* 11/2018 Braithwaite ..... B29C 64/209  
2019/0011335 A1\* 1/2019 Tavares ..... G01N 1/12  
2019/0351985 A1\* 11/2019 Adamson ..... G06F 3/0346  
2020/0398958 A1\* 12/2020 Gao ..... B63C 11/52

(\*\*) Term: 15 Years

(21) Appl. No.: 29/640,317

(22) Filed: Mar. 13, 2018

(51) LOC (13) Cl. .... 12-06  
(52) U.S. Cl. ....

USPC ..... D12/308

(58) Field of Classification Search  
USPC ..... D12/308; D21/545  
CPC ..... B63G 8/00; B63G 8/001; B63G 8/002;  
B63G 8/004; B63G 8/005; B63G 8/41;  
B63G 8/42; B63B 3/13; G03B 17/08  
See application file for complete search history.

(56) **References Cited**

**U.S. PATENT DOCUMENTS**

D306,425 S \* 3/1990 Walker ..... D12/308  
5,097,780 A \* 3/1992 Winchester ..... B63C 11/52  
114/330

5,995,882 A \* 11/1999 Patterson ..... B63C 11/42  
114/312

D865,633 S \* 11/2019 Chen ..... D12/308  
2013/0269585 A1\* 10/2013 Kim ..... B63G 8/08  
114/331

\* cited by examiner

Primary Examiner — Cynthia M. Chin

(74) Attorney, Agent, or Firm — BakerHostetler

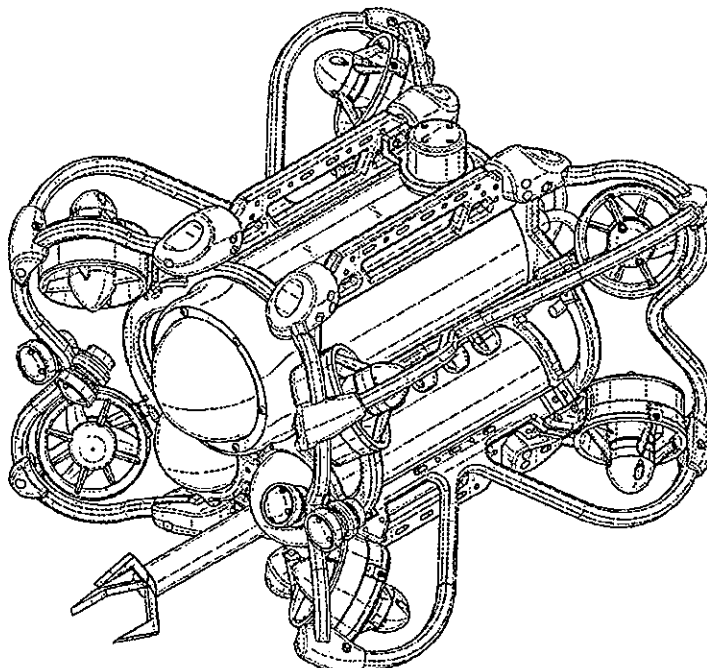
(57) **CLAIM**

I claim the ornamental design for an underwater robotic vehicle, as shown and described.

**DESCRIPTION**

FIG. 1 is a perspective view of an underwater robotic vehicle showing my new design of the present invention;  
FIG. 2 is a front view thereof;  
FIG. 3 is a rear view thereof;  
FIG. 4 is a left side view thereof;  
FIG. 5 is a right side view thereof;  
FIG. 6 is a top plan view thereof; and,  
FIG. 7 is bottom plan view thereof.  
The broken lines are for the purpose of illustrating portions of the underwater robotic vehicle that form no part of the claim.

1 Claim, 7 Drawing Sheets



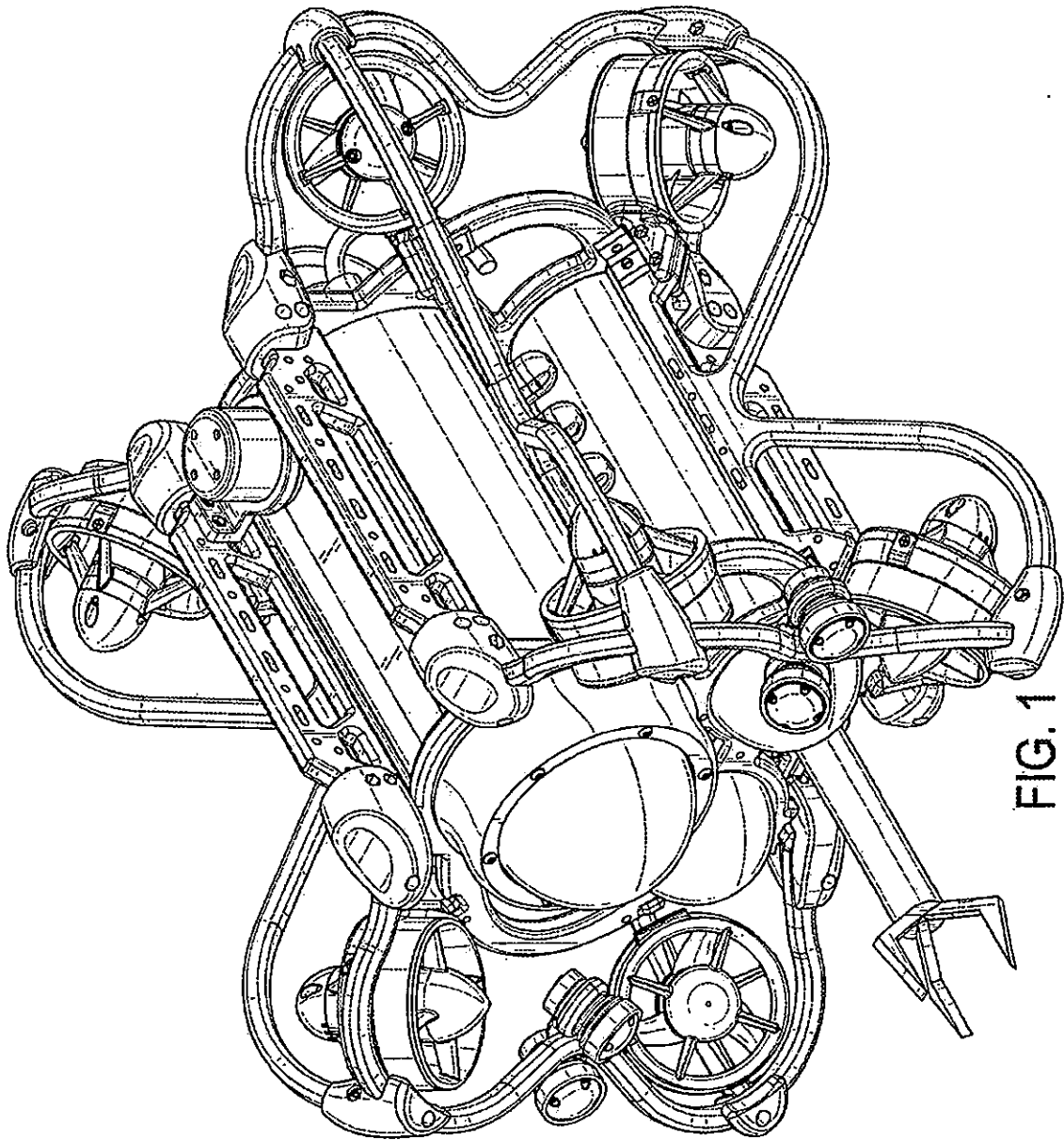


FIG. 1

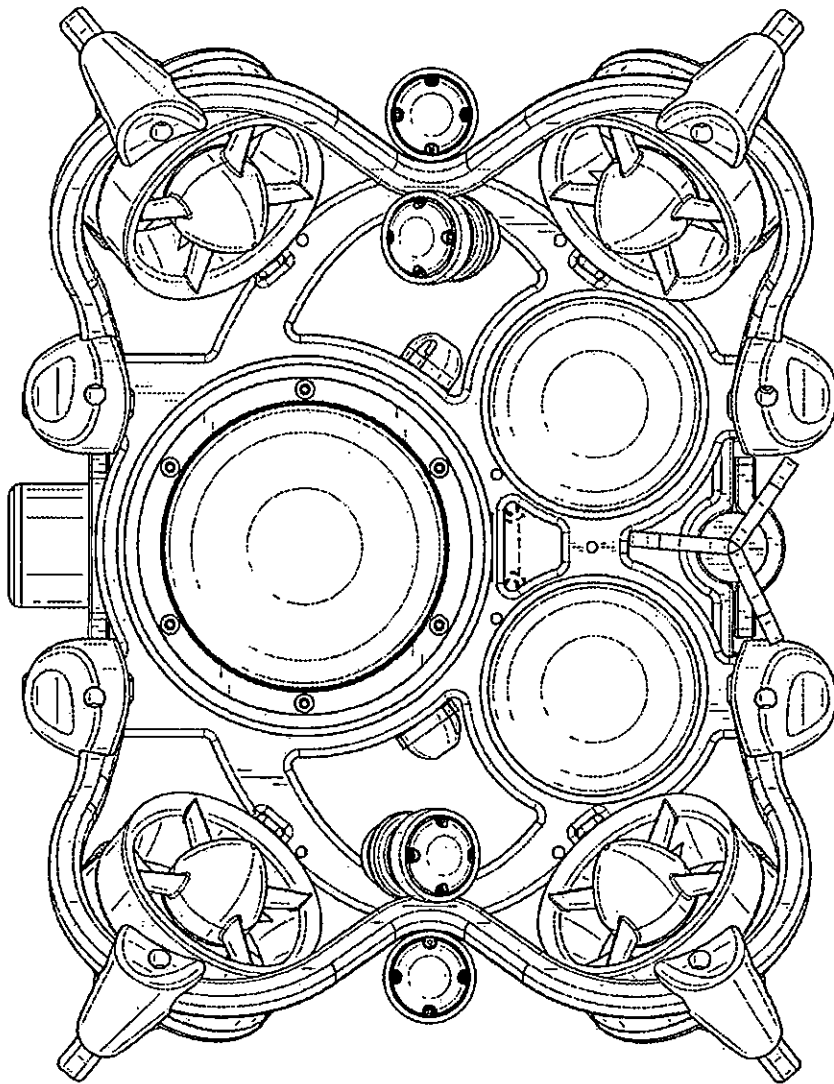


FIG. 2

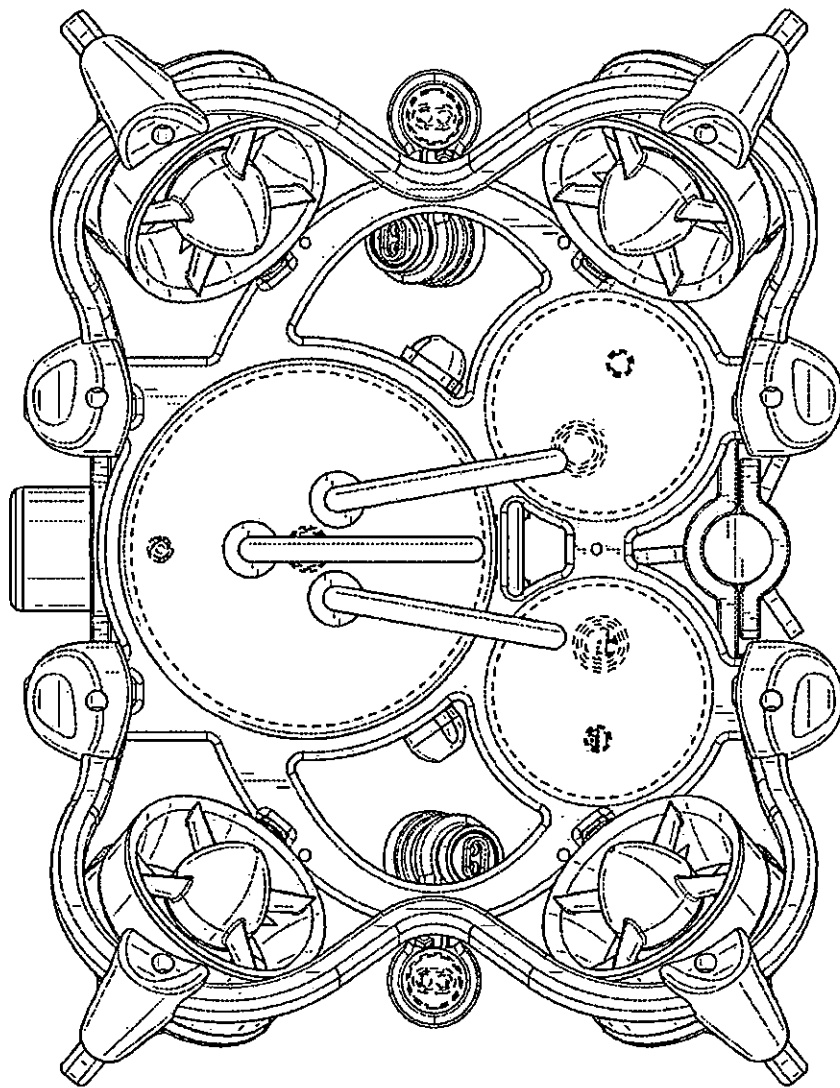


FIG. 3

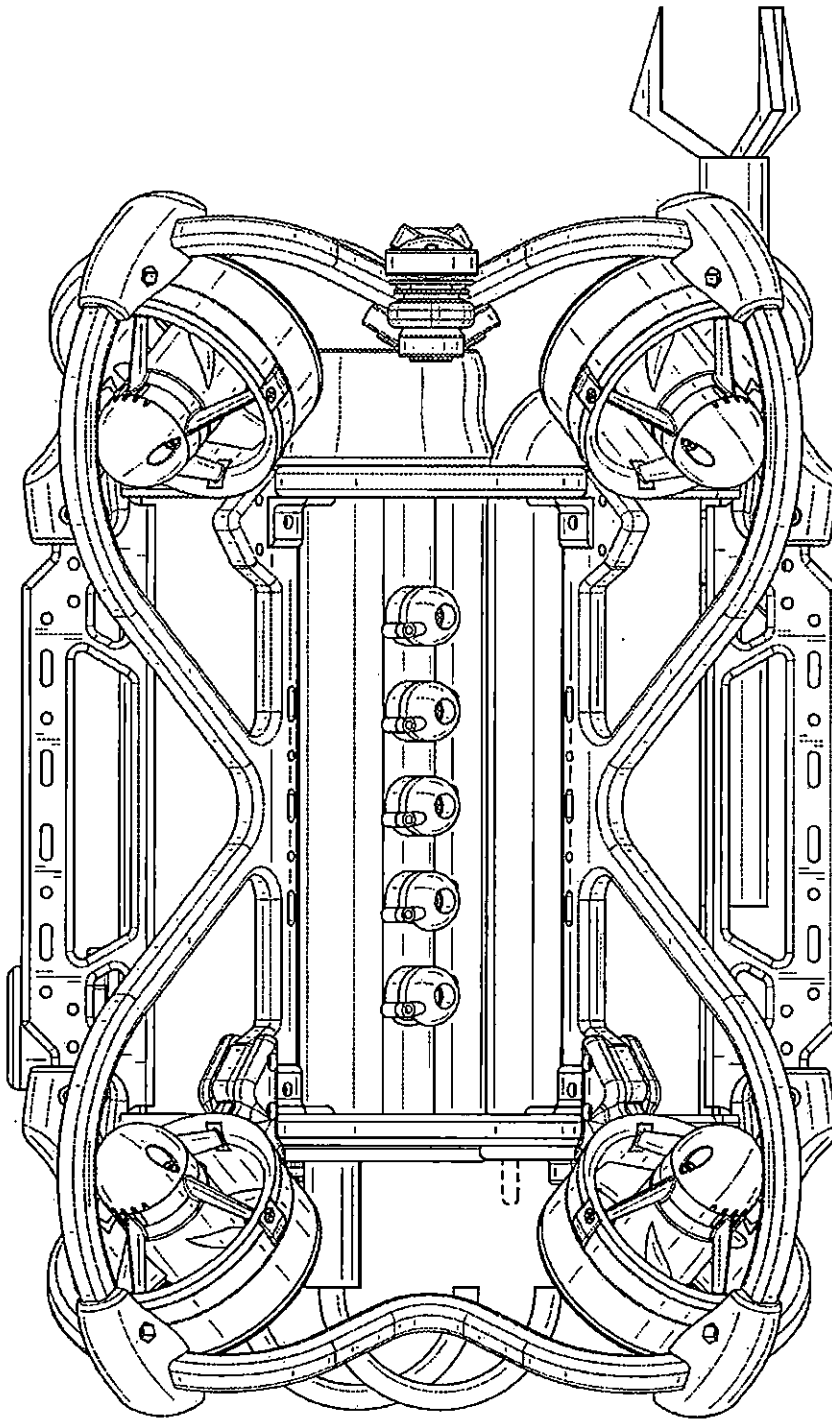


FIG. 4

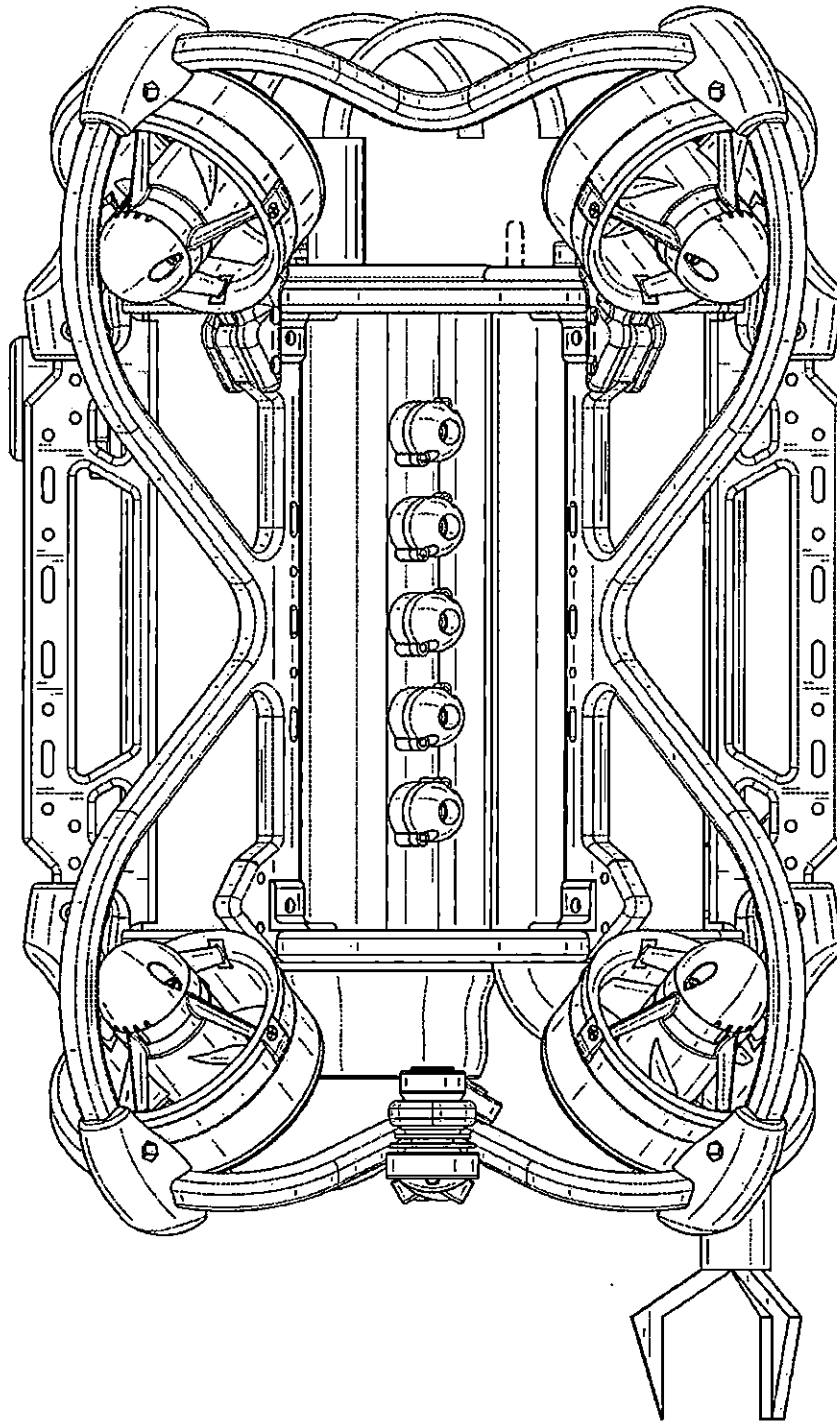


FIG. 5

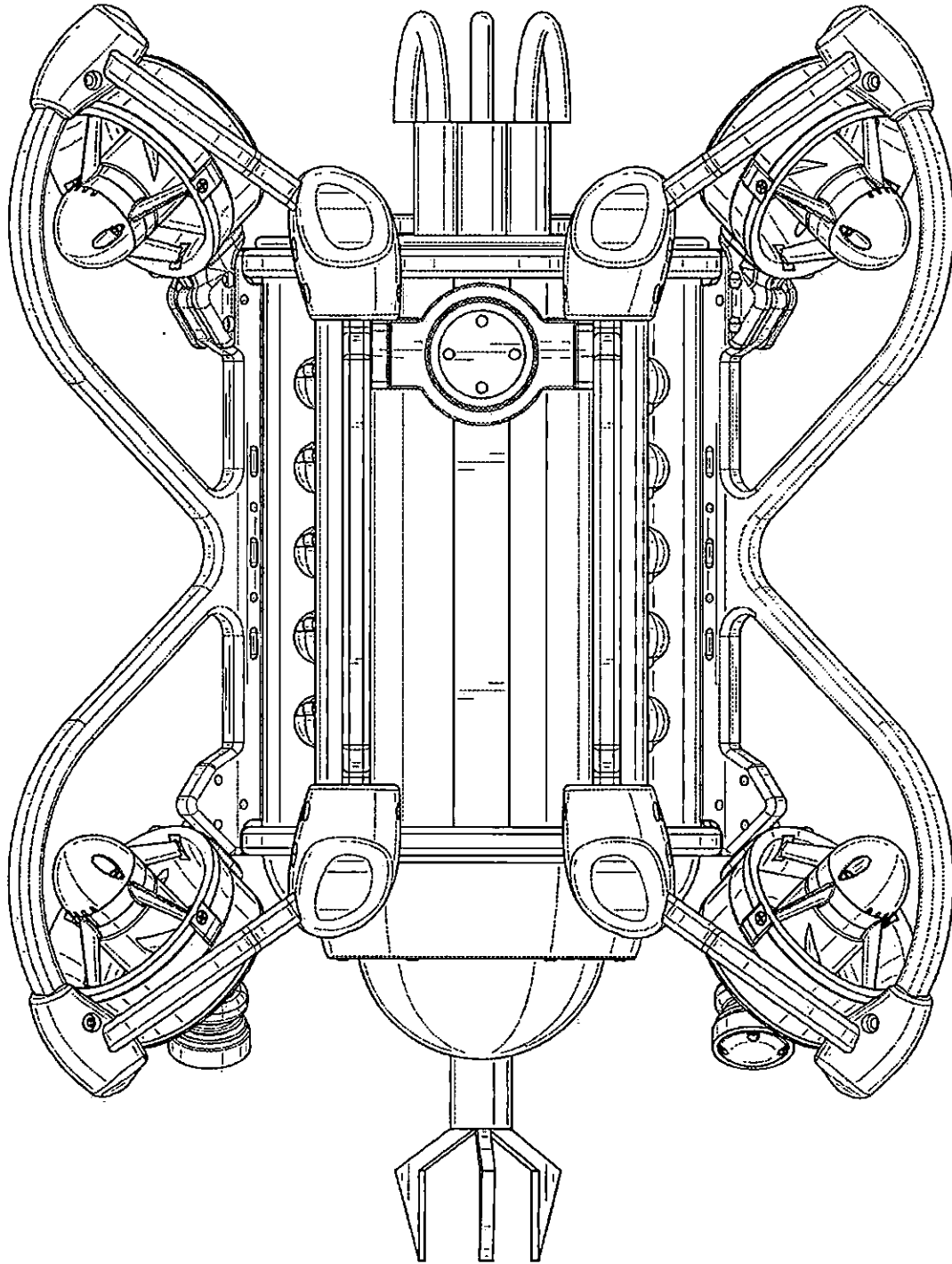


FIG. 6



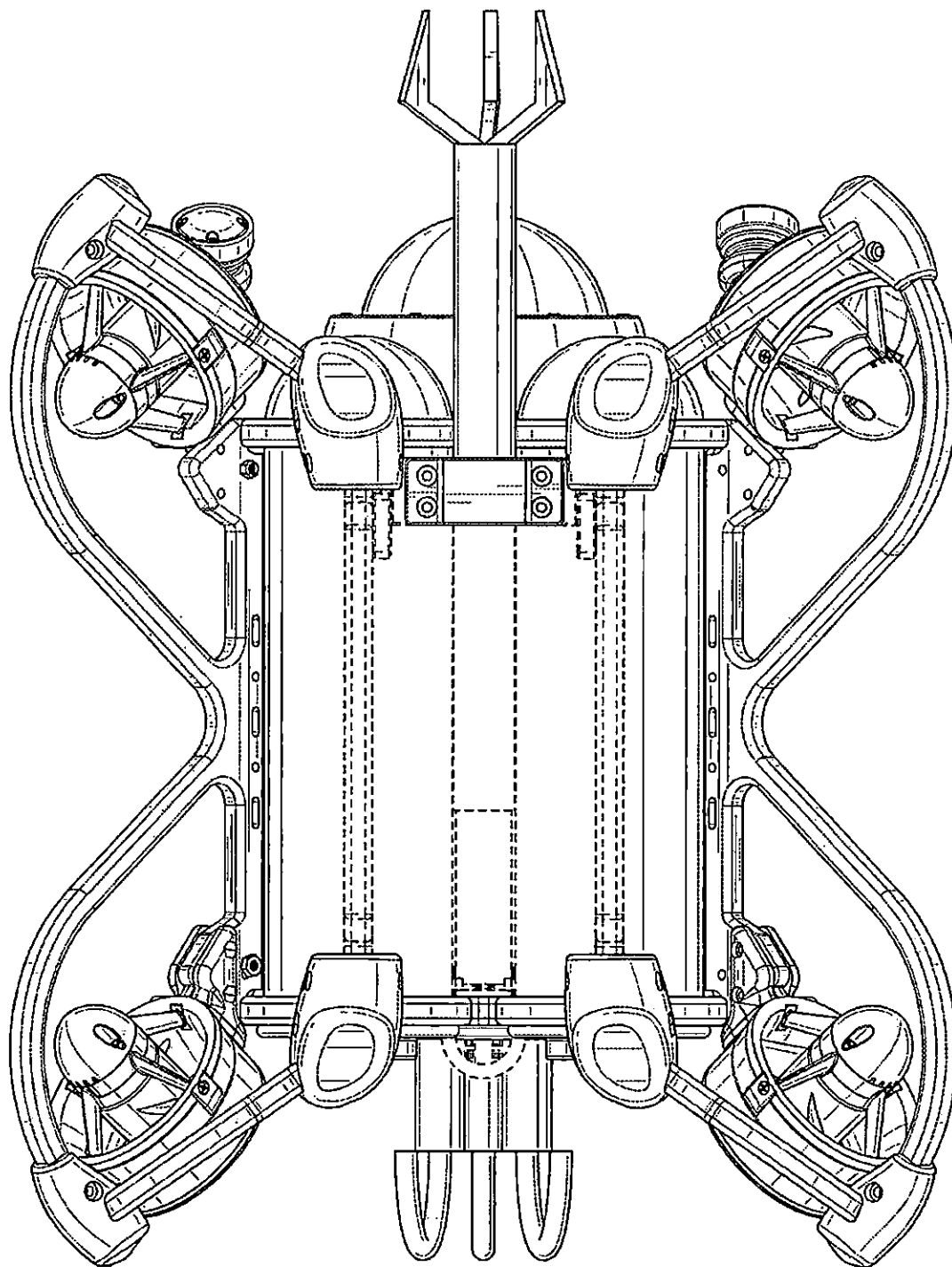


FIG. 7