

ABBREVIATIONS

ABV ABOVE	L LENGTH
A/C AIR CONDITIONING	LA LAUNDRY
AD AREA DRAIN	LAV LAVATORY
ADJ ADJUSTABLE	LVR LOUVER
ALT ALTERNATE	MAX MAXIMUM
ALUM ALUMINUM	MECH MECHANICAL
ARCA ARCHITECTURAL	MFG MANUFACTURER
BA BATHROOM	MIN MINIMUM
BD BOARD	MISC MISCELLANEOUS
BF BI-FOLD (DOOR)	N NORTH
BLDG BUILDING	N.T.S. NOT TO SCALE
BLK BLOCK (CMU)	O.S.D. OVERHEAD GARAGE DOOR
BLN BELOW	OH OVERHEAD
BM BEAM	OPT OPTIONAL
BP BI-PASS (DOOR)	PAR PARALLEL
BT BOTTOM	P.B. PUSH BUTTON
BTWN BETWEEN	PDR POWDER
CAB CABINET	PED PEDESTAL
CER CERAMIC	PL PLATE
C.J. CONTROL JOINT OR CONSTRUCTION JOINT	FR PAIR
CL CLOSET OR CENTER LINE	P.T. PRESSURE TREATED WOOD
CLS CEILING	P.V. POLYVINYL CHLORIDE PIPE
CLR CLEAR	P.V.M.T. PAVEMENT
CMU CONCRETE MASONRY UNIT	PXL PRE-WIRE
COL COLUMN	PXD PLYWOOD
CONC CONCRETE	R RISER
C CARPET	RAG RETURN AIR GRILL
CR CORROSION RESISTANT	REF REFERENCE
CSMT CASEMENT	REFR REFRIGERATOR
C.T. CERAMIC TILE	REQ REQUIRED
D DRYER	S SOUTH
DBL DOUBLE	SD SMOKE DETECTOR
DH DOUBLE HUNG	SF SQUARE FEET
DIM DIMENSION	S.G.D. SLIDING GLASS DOOR
DISP DISPOSAL	SH SINGLE HING OR SHELF
DN DOWN	SM SIMILAR
DR DOOR	SL SLOPE / SLIDING
DS DOWNSPOUT	SHF SHELF AND POLE
DW DISH WASHER	SPEC SPECIFICATIONS
DWG DRAWING	STD STANDARD
E EAST	STR STRUCTURAL
EA EACH	SQ SQUARE
ELEV ELEVATION	SYM SYMBOL
ELEC ELECTRICAL	S4S SMOOTH FOUR SIDES
EQ EQUAL	T TREAD (AT STAIRS) OR TILE
EXT EXTERIOR	T.B. TOWEL BAR
FAU FORCED AIR UNIT	TEMP TEMPERED (GLASS)
F.C. FLOOR CHANGE	T&G TONGUE & GROOVE
F.D. FLOOR DRAIN	T.O.C. TOP OF CURB
FFL FINISH FLOOR LINE	TV TELEVISION
F.G. FINISHED GRADE	TYP TYPICAL
FLR FLOORING	UNO. UNLESS NOTED OTHERWISE
FL FLOURESCENT (LIGHT)	V.B. VAPOR BARRIER
FND FOUNDATION	VERT VERTICAL
F.O.S. FACE OF STUD	V.T.R. VENT THRU ROOF
FIG FOOTING	W WASHING MACHINE
FX FIXED GLASS	WD WOOD
GALV GALVANIZED	WDR WINDOW
GAR GARAGE	WH WATER HEATER
G.B. GYPSUM BOARD	WI WROUGHT IRON
GD GRADE OR GRADING	WIC WALK-IN CLOSET
G.D.O. GARAGE DOOR OPENER	W/O WITH OR WITHOUT
GI GROUND FAULT INTERRUPTER	WP WATERPROOFING
GL GLASS OR GLAZING	WWM WELDED WIRE MESH
GYP BD GYPSUM BOARD	PL PROPERTY LINE
HD HOSE BIBB	Ø ROUND / DIAMETER
HD HEAD OR HARD	± AND
HDR HEADER	CL CENTERLINE
HGT HEIGHT	# FOUND / NUMBER
HVAC HEATING/VENTILATING/AIR COND.	
HWD HARDWOOD	
INT INTERIOR	
JST JOIST	
JT JOINT	
KIT KITCHEN	

WAKEFIELD

NO:	DATE:	REVISION:

PROFESSIONAL SEAL:

PROJECT TITLE:

Wakefield

CONSULTANTS:

LOCAL JURISDICTION:	BUILDER: CHAFIN COMMUNITIES 5230 BELLE WOOD CT., SUITE A BUFORD, GA 30518 PHONE: (770) 831-0844 CONTACT: DARYL CHAFIN	DESIGNER:	STRUCTURAL ENGINEER:
---------------------	--	-----------	----------------------

GENERAL NOTES DESIGNER:

THESE DOCUMENTS ARE THE PROPERTY OF THE DESIGNER AND SHALL NOT BE COPIED, DUPLICATED, ALTERED, MODIFIED OR REVISED IN ANY WAY WITHOUT THE EXPRESSED

CONTRACTOR SHALL VERIFY ALL CONDITIONS AND DIMENSIONS AT THE SITE AND ALL INCONSISTENCIES SHALL BE BROUGHT TO THE ATTENTION OF THE DEVELOPER AND THE DESIGNER BEFORE PROCEEDING WITH WORK.

ANY ERRORS OR OMISSIONS FOUND IN THESE DRAWINGS SHALL BE BROUGHT TO DEVELOPERS AND DESIGNERS ATTENTION IMMEDIATELY.

DO NOT SCALE DRAWINGS. WRITTEN DIMENSIONS TAKE PRECEDENCE OVER SCALED DIMENSIONS.

ALL DIMENSIONS ARE TO FACE OF STUD OR TO FACE OF FRAMING UNLESS OTHERWISE NOTED.

ALL TRUSS DRAWINGS TO BE REVIEWED AND APPROVED BY THE STRUCTURAL ENGINEER PRIOR TO ISSUANCE OF BUILDING PERMIT.

ALL OR EQUAL SUBSTITUTIONS MUST BE SUBMITTED TO AND APPROVED BY CITY BUILDING OFFICIAL PRIOR TO INSTALLATION.

ALL ANGLED PARTITIONS ARE 45 DEGREES UNLESS OTHERWISE NOTED.

PROVIDE FIREBLOCKING. (PER IRC SECTION R602.3)

ALL ELECTRICAL AND MECHANICAL EQUIPMENT AND METERS ARE SUBJECT TO RELOCATION DUE TO FIELD CONDITIONS, CONTRACTOR TO VERIFY.

PROVIDE BLOCKING AND/OR BACKING AT ALL TOWEL BAR, TOWEL RING AND/OR TOILET PAPER HOLDER LOCATIONS, AS SHOWN PER PLAN. TYPICAL AT ALL BATHROOMS AND POWDER ROOMS. VERIFY LOCATIONS AT FRAMING WALK.

ELASTOMERIC SHEET WATERPROOFING; FURNISH AND INSTALL ALL WATERPROOFING COMPLETE. A 40 MIL. SELF-ADHERING MEMBRANE OF RUBBERIZED ASPHALT INTEGRALLY BONDED TO POLYETHYLENE SHEETING, OR EQUAL. INSTALL PER MANUFACTURER'S AND TRADE ASSOCIATION'S PRINTED INSTALLATION INSTRUCTIONS. 6" MINIMUM LAP AT ALL ADJACENT WALL SURFACES.

TO THE BEST OF THE DESIGNER'S KNOWLEDGE THESE DOCUMENTS ARE IN CONFORMANCE WITH THE REQUIREMENTS OF THE BUILDING AUTHORITIES HAVING JURISDICTION OVER THIS TYPE OF CONSTRUCTION AND OCCUPANCY.

SHOP DRAWING REVIEW AND DISTRIBUTION, ALONG WITH PRODUCT SUBMITTALS, REQUESTED IN THE CONSTRUCTION DOCUMENTS, SHALL BE THE SOLE RESPONSIBILITY OF THE GENERAL CONTRACTOR, UNLESS DIRECTED OTHERWISE UNDER A SEPARATE AGREEMENT.

DEVIATIONS FROM THESE DOCUMENTS IN THE CONSTRUCTION PHASE SHALL BE REVIEWED BY THE DESIGNER AND THE OWNER PRIOR TO THE START OF WORK IN QUESTION. ANY DEVIATIONS FROM THESE DOCUMENTS WITHOUT PRIOR REVIEW, SHALL BE THE SOLE RESPONSIBILITY OF THE GENERAL CONTRACTOR.

THE GENERAL CONTRACTOR SHALL BE RESPONSIBLE FOR ALL WORK AND MATERIALS REPRESENTED ON THESE DOCUMENTS INCLUDING THE WORK AND MATERIALS FURNISHED BY SUBCONTRACTORS AND VENDORS.

THE BUILDER SHALL FURNISH ANY AND ALL REPORTS RECEIVED FROM THE GEOTECHNICAL ENGINEER (SOILS REPORT), ON THE STUDY OF THE PROPOSED SITE, TO THE DESIGNER, STRUCTURAL ENGINEER, AND GENERAL CONTRACTOR. IN THE EVENT THE GEOTECHNICAL REPORTS DO NOT EXIST, THE SOILS CONDITION SHALL BE ASSUMED TO BE A MINIMUM DESIGN SOIL PRESSURE STATED BY THE STRUCTURAL ENGINEER OF RECORD FOR THE PURPOSE OF STRUCTURAL DESIGN. GENERAL CONTRACTOR SHALL ASSURE THE SOIL CONDITIONS MEET OR EXCEED THE CRITERIA.

ALL WORK PERFORMED BY THE GENERAL CONTRACTOR SHALL COMPLY AND CONFORM WITH LOCAL AND STATE BUILDING CODES, ORDINANCES AND REGULATIONS ALONG WITH ALL OTHER AUTHORITIES HAVING JURISDICTION. THE GENERAL CONTRACTOR IS RESPONSIBLE TO BE AWARE OF THESE REQUIREMENTS AND GOVERNING REGULATIONS.

PROVIDE AN APPROVED WASHER DRAIN PAN AT SECOND FLOOR ONLY THAT DRAINS TO EXTERIOR.

WINDOW SUPPLIER TO VERIFY AT LEAST ONE WINDOW IN ALL BEDROOMS TO HAVE A CLEAR EGRESS OPENING OF 5.7 SQ FT WITH MIN. DIMENSION OF 24" IN HEIGHT AND 20" IN WIDTH; 5'11" HEIGHT NOT GREATER THAN 44" ABOVE FLOOR. (PER IRC SECTION R310.1.1)

ALL HANDRAIL BALLUSTERS TO BE SPACED SUCH THAT A 4" SPHERE CANNOT PASS BETWEEN BALLUSTERS. (PER IRC SECTION R312.1.3)

PROVIDE STAIR HANDRAILS AND GUARDRAILS PER IRC SECTION R311.1.8 AND R312

AREA CALCULATIONS:

'WAKEFIELD' PLAN SQUARE FOOTAGE						
AREA	ELEV 'A'	ELEV 'B'	ELEV 'C'	ELEV 'D'	ELEV 'FB1'	ELEV 'FB2'
1ST FLOOR	1,146 SF	1,156 SF	1,146 SF	1,146 SF	1,146 SF	1,146 SF
2ND FLOOR	1,478 SF	1,496 SF	1,500 SF	1,489 SF	1,496 SF	1,500 SF
HEATED SF	2,624 SF	2,652 SF	2,646 SF	2,635 SF	2,642 SF	2,646 SF
GARAGE	501 SF	501 SF	501 SF	501 SF	501 SF	501 SF
PORCH - FRONT	105 SF	101 SF	106 SF	106 SF	105 SF	105 SF
PORCH - REAR	192 SF	192 SF	192 SF	192 SF	192 SF	192 SF
TOTAL FRAMING	3,422 SF	3,446 SF	3,445 SF	3,434 SF	3,440 SF	3,444 SF
OPT BSMT	1,062 SF	1,062 SF	1,062 SF	1,062 SF	1,062 SF	1,062 SF
*ROOM COUNT TOTALS	ROOMS - 5	BEDS - 4	BATHS - 3			

CHAFIN
COMMUNITIES

SHEET TITLE:

TITLE SHEET

SHEET NO:

T-1

NOTES:

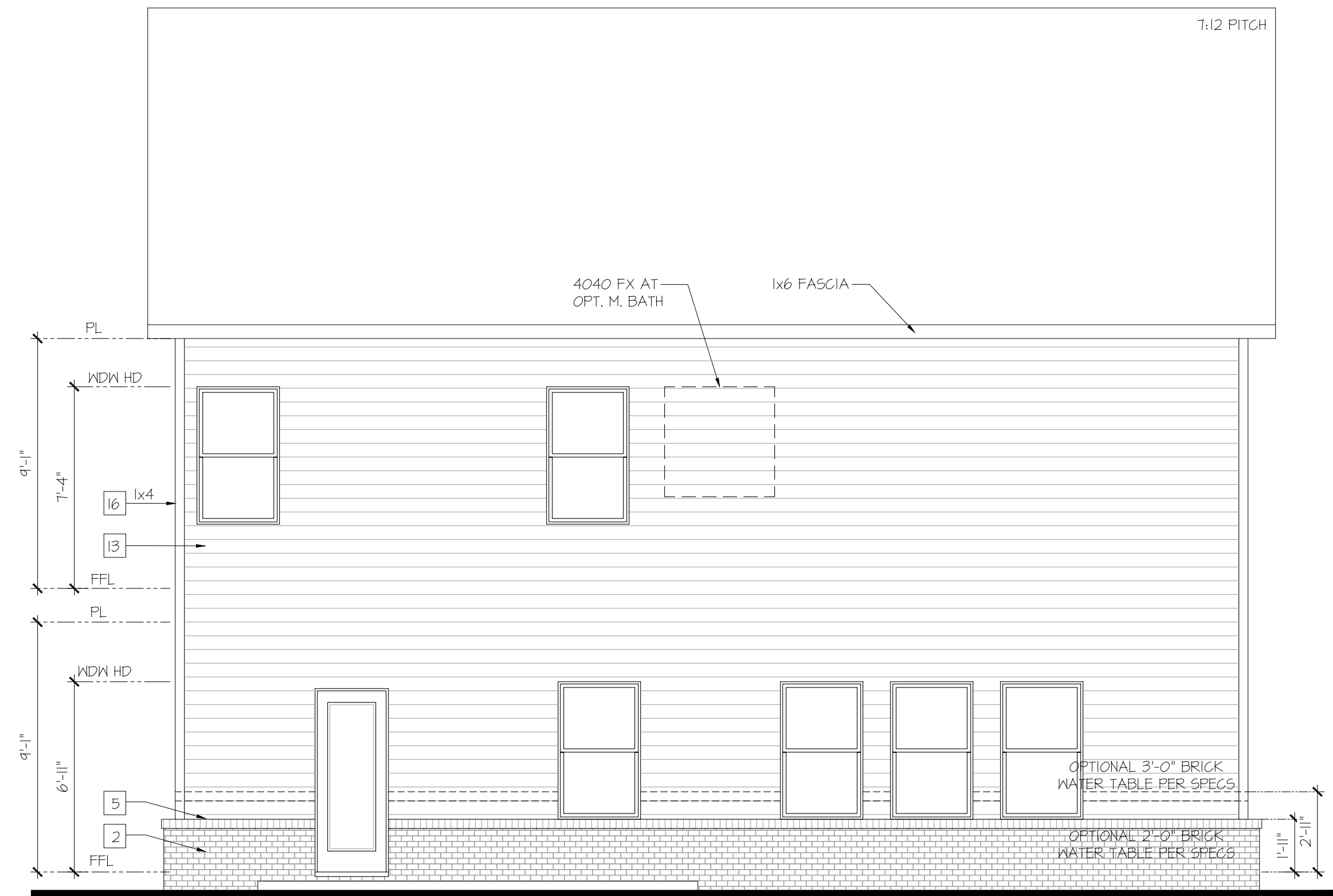
- GRADE CONDITIONS MAY VARY FOR INDIVIDUAL SITE FROM THAT SHOWN. BUILDER SHALL VERIFY AND COORDINATE PER ACTUAL SITE CONDITIONS.
- ROOFING: PITCHED SHINGLES PER DEVELOPER.
- WINDOWS: MANUFACTURER PER DEVELOPER. DIVIDED LITES AS SHOWN ON THE EXTERIOR ELEVATIONS
- ENTRY DOOR: AS SELECTED BY DEVELOPER.
- GARAGE DOORS: AS SELECTED BY DEVELOPER, RAISED PANEL AS SHOWN.
- CHIMNEY AS OCCURS: TOP OF CHIMNEYS TO BE A MINIMUM OF 24" ABOVE ANY ROOF WITHIN 10'-0" OF CHIMNEY.
- ALL EXTERIOR MATERIALS TO BE INSTALLED PER MANUFACTURER'S WRITTEN INSTRUCTIONS.
- PROTECTION AGAINST DECAY: (ALL PORTIONS OF A PORCH, SCREEN PORCH OR DECK FROM THE BOTTOM OF THE HEADER DOWN, INCLUDING POST, RAILS, PICKETS, STEPS AND FLOOR STRUCTURE.)
- SHINGLED ROOF PITCHES FROM 2/12 TO 4/12 TO HAVE (2) LAYERS OF UNDERLAYMENT APPLIED AND OVERLAPPED PER R905.2.1.

KEY NOTES:

- MASONRY:**
- 1 ADHERED STONE VENEER AS SELECTED BY DEVELOPER. HEIGHT AS NOTED.
 - 2 MASONRY FULL BRICK AS SELECTED BY DEVELOPER. HEIGHT AS NOTED.
 - 3 MASONRY FULL STONE AS SELECTED BY DEVELOPER. HEIGHT AS NOTED.
 - 4 8" SOLDIER COURSE.
 - 5 ROWLOCK COURSE.
 - 6 DECORATIVE KEY. SEE DETAIL.
- TYPICALS:**
- 7 CORROSION RESISTANT SCREEN LOUVERED VENTS, SIZE AS NOTED.
 - 8 CODE APPROVED TERMINATION CHIMNEY CAP.
 - 9 CORROSION RESISTANT ROOF TO WALL FLASHING. CODE COMPLIANT FLASHING MUST BE INSTALLED AT ALL ROOF/WALL INTERSECTIONS.
 - 10 STANDING SEAM METAL ROOF, INSTALL PER MANUFACTURER'S WRITTEN INSTRUCTIONS.
 - 11 DECORATIVE WROUGHT IRON. SEE DETAILS.
- SIDING:**
- 12 FIBER CEMENT SHAKE SIDING PER DEVELOPER W/ 5/4x4 CORNER TRIM BOARDS.
 - 13 FIBER CEMENT LAP SIDING PER DEVELOPER W/ 5/4x4 CORNER TRIM BOARDS.
 - 14 FIBER CEMENT NAVY SIDING PER DEVELOPER W/ 5/4x4 CORNER TRIM BOARDS.
 - 15 FIBER CEMENT PANEL SIDING W/ 1X3 BATTS AT 12" O.C. (VINYL BOARD AND BATT SIDING)
 - 16 1X FIBER CEMENT TRIM OR EQUAL, U.N.O. SIZE AS NOTED
 - 17 FALSE WOOD SHUTTERS, TYPE AS SHOWN. SIZE AS NOTED.

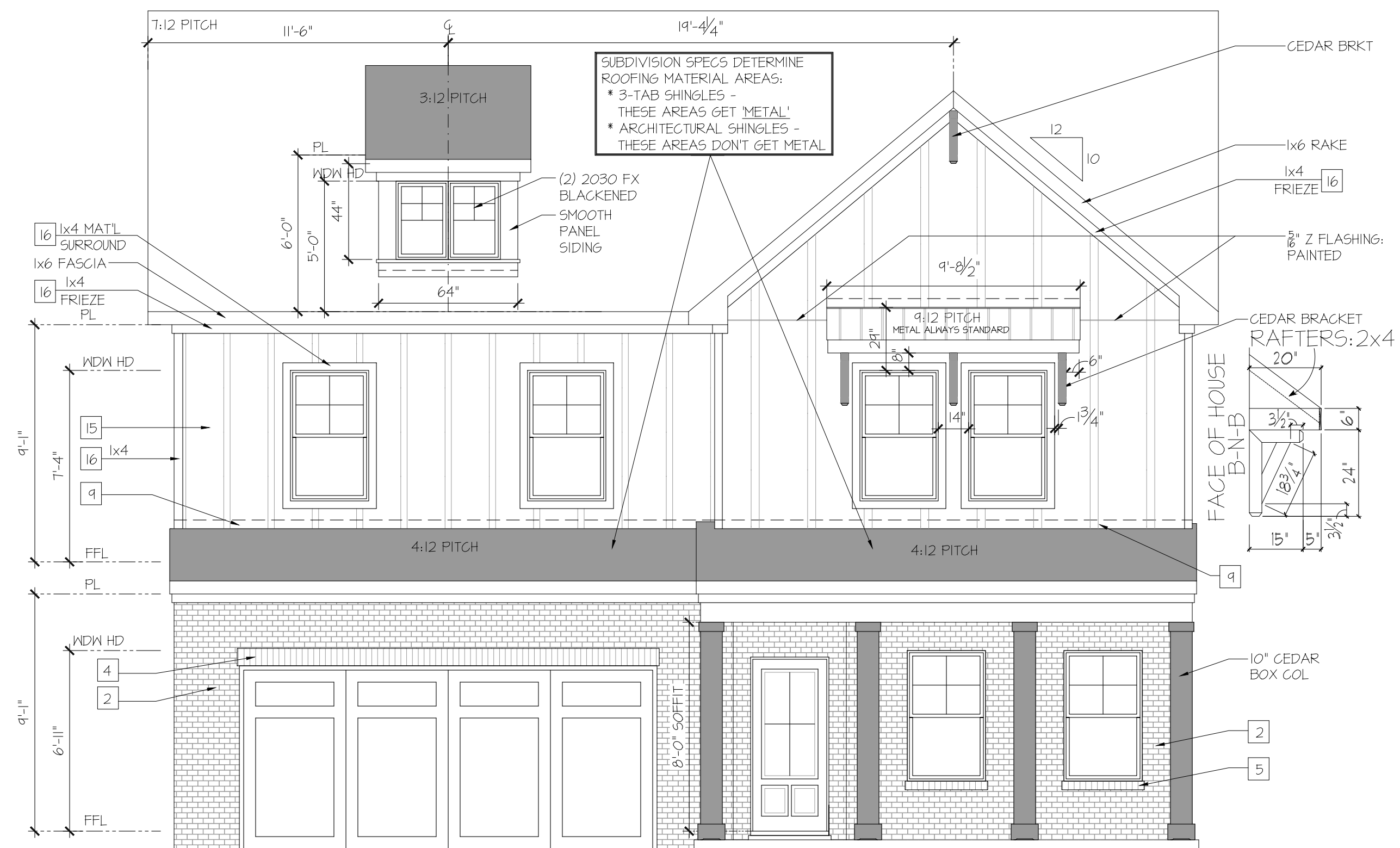
WINDOW HEAD HEIGHTS

- 1ST FLOOR:
5'-0" HIGH WINDOW = 6'-11" HEADER U.N.O.
- 2ND FLOOR:
5'-0" HIGH WINDOW = 7'-4" HEADER U.N.O.



Rear Elevation 'PBI'

SCALE: 1/4"=1'-0" AT 22'X34' LAYOUT 1/8"=1'-0" AT 11'X11" LAYOUT



Front Elevation 'PBI'

SCALE: 1/4"=1'-0" AT 22'X34' LAYOUT 1/8"=1'-0" AT 11'X11" LAYOUT

MASONRY PERCENTAGES		
FRONT ELEV TOTAL SF		568 SF
BRICK	51 %	308 SF
STONE	0 %	0 SF
SIDING	0 %	0 SF
SHAKE	0 %	0 SF
B-N-B	49 %	281 SF

NO.	DATE	REVISION

PROFESSIONAL SEAL:

PROJECT TITLE:

Wakefield

CHAFIN
COMMUNITIES

SHEET TITLE:

**WAKEFIELD
EXTERIOR
ELEVATIONS
PBI**

SHEET NO.:

A1.9

NOTES:

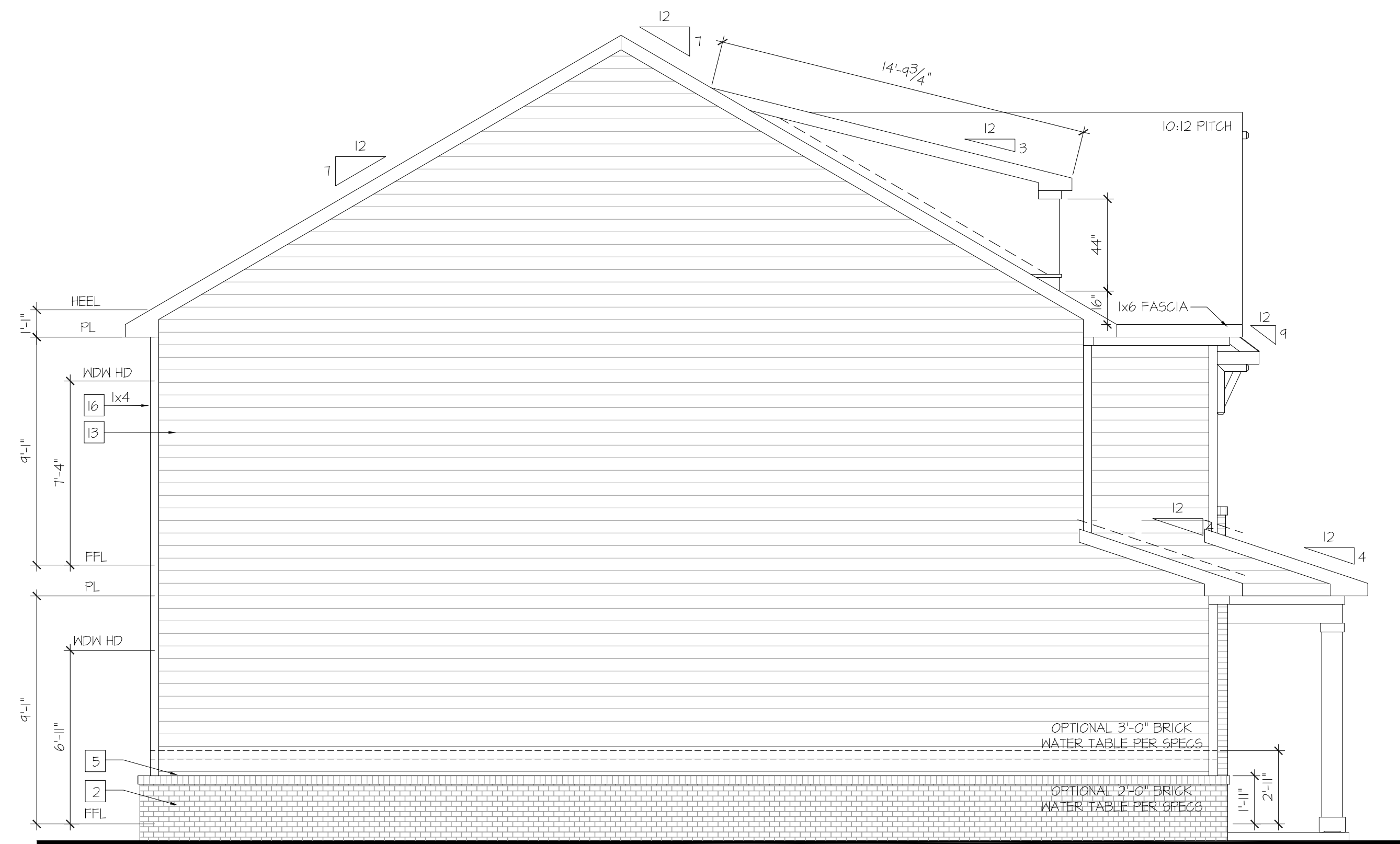
- GRADE CONDITIONS MAY VARY FOR INDIVIDUAL SITE FROM THAT SHOWN. BUILDER SHALL VERIFY AND COORDINATE PER ACTUAL SITE CONDITIONS.
- ROOFING: PITCHED SHINGLES PER DEVELOPER.
- WINDOWS: MANUFACTURER PER DEVELOPER. DIVIDED LITES AS SHOWN ON THE EXTERIOR ELEVATIONS
- ENTRY DOOR: AS SELECTED BY DEVELOPER.
- GARAGE DOORS: AS SELECTED BY DEVELOPER, RAISED PANEL AS SHOWN.
- CHIMNEY AS OCCURS. TOP OF CHIMNEYS TO BE A MINIMUM OF 24" ABOVE ANY ROOF WITHIN 10'-0" OF CHIMNEY.
- ALL EXTERIOR MATERIALS TO BE INSTALLED PER MANUFACTURER'S WRITTEN INSTRUCTIONS.
- PROTECTION AGAINST DECAY: (ALL PORTIONS OF A PORCH, SCREEN PORCH OR DECK FROM THE BOTTOM OF THE HEADER DOWN, INCLUDING POST, RAILS, PICKETS, STEPS AND FLOOR STRUCTURE.)
- SHINGLED ROOF PITCHES FROM 2/12 TO 4/12 TO HAVE (2) LAYERS OF UNDERLAYMENT APPLIED AND OVERLAPPED PER R405.2.1.

KEY NOTES:

- MASONRY:**
- 1 ADHERED STONE VENEER AS SELECTED BY DEVELOPER. HEIGHT AS NOTED.
 - 2 MASONRY FULL BRICK AS SELECTED BY DEVELOPER. HEIGHT AS NOTED.
 - 3 MASONRY FULL STONE AS SELECTED BY DEVELOPER. HEIGHT AS NOTED.
 - 4 8" SOLDIER COURSE.
 - 5 ROWLOCK COURSE.
 - 6 DECORATIVE KEY. SEE DETAIL.
- TYPICALS:**
- 7 CORROSION RESISTANT SCREEN LOUVERED VENTS, SIZE AS NOTED.
 - 8 CODE APPROVED TERMINATION CHIMNEY CAP.
 - 9 CORROSION RESISTANT ROOF TO WALL FLASHING. CODE COMPLIANT FLASHING MUST BE INSTALLED AT ALL ROOF/WALL INTERSECTIONS.
 - 10 STANDING SEAM METAL ROOF, INSTALL PER MANUFACTURER'S WRITTEN INSTRUCTIONS.
 - 11 DECORATIVE WROUGHT IRON. SEE DETAILS.
- SIDING:**
- 12 FIBER CEMENT SHAKE SIDING PER DEVELOPER
 - 13 W 5/4x4 CORNER TRIM BOARDS.
 - 14 FIBER CEMENT LAP SIDING PER DEVELOPER
 - 15 W 5/4x4 CORNER TRIM BOARDS.
 - 16 FIBER CEMENT NAVY SIDING PER DEVELOPER
 - 17 W 5/4x4 CORNER TRIM BOARDS.
 - 18 FIBER CEMENT PANEL SIDING W/ 1X3 BATTS AT 12" O.C. (VINYL BOARD AND BATT SIDING)
 - 19 1X FIBER CEMENT TRIM OR EQUAL, U.N.O. SIZE AS NOTED
 - 20 FALSE WOOD SHUTTERS, TYPE AS SHOWN. SIZE AS NOTED.

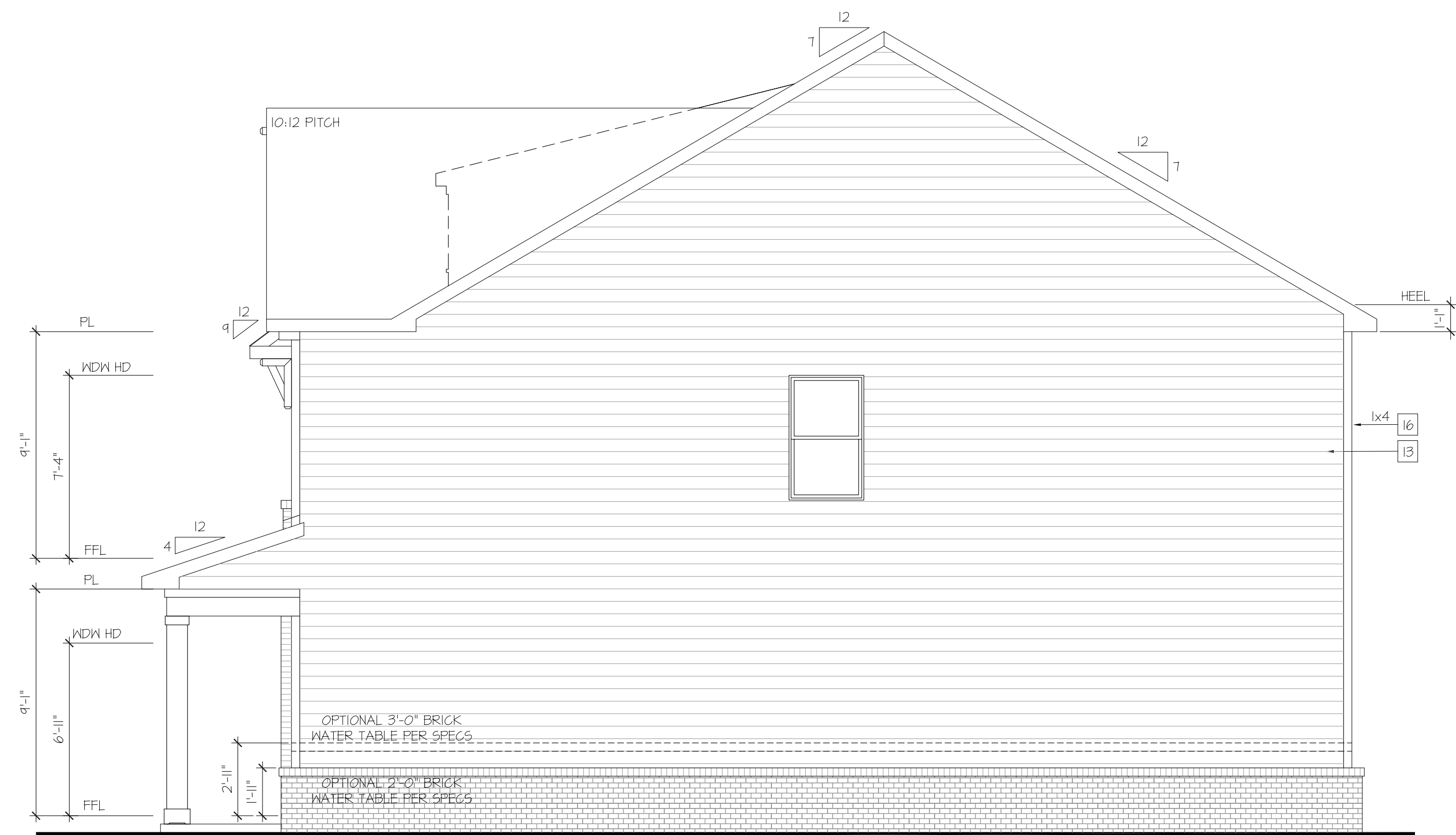
WINDOW HEAD HEIGHTS

- 1ST FLOOR: 5'-0" HIGH WINDOW = 6'-11" HEADER U.N.O.
- 2ND FLOOR: 5'-0" HIGH WINDOW = 7'-4" HEADER U.N.O.



Left Elevation 'PB1'

SCALE: 1/4"=1'-0" AT 22'X34" LAYOUT 1/8"=1'-0" AT 11'X11" LAYOUT



Right Elevation 'PB1'

SCALE: 1/4"=1'-0" AT 22'X34" LAYOUT 1/8"=1'-0" AT 11'X11" LAYOUT

NO: DATE: REVISION:

PROFESSIONAL SEAL:

PROJECT TITLE:

Wakefield

CHAFIN
COMMUNITIES

SHEET TITLE:
**WAKEFIELD
EXTERIOR
ELEVATIONS
PB1**

SHEET NO:
A1.9.1



Rear Elevation
Opt. Basement

SCALE: 1/4"=1'-0" AT 22'X34" LAYOUT 1/8"=1'-0" AT 11'X11" LAYOUT

WINDOW HEAD HEIGHTS

- 1ST FLOOR:
5'-0" HIGH WINDOW = 6'-11" HEADER U.N.O.
- 2ND FLOOR:
5'-0" HIGH WINDOW = 7'-4" HEADER U.N.O.

- NOTES:**
- GRADE CONDITIONS MAY VARY FOR INDIVIDUAL SITE FROM THAT SHOWN. BUILDER SHALL VERIFY AND COORDINATE PER ACTUAL SITE CONDITIONS.
 - ROOFING: PITCHED SHINGLES PER DEVELOPER.
 - WINDOWS: MANUFACTURER PER DEVELOPER. DIVIDED LITES AS SHOWN ON THE EXTERIOR ELEVATIONS.
 - ENTRY DOOR: AS SELECTED BY DEVELOPER.
 - GARAGE DOORS: AS SELECTED BY DEVELOPER. RAISED PANEL AS SHOWN.
 - CHIMNEY AS OCCURS: TOP OF CHIMNEYS TO BE A MINIMUM OF 24" ABOVE ANY ROOF WITHIN 10'-0" OF CHIMNEY.
 - ALL EXTERIOR MATERIALS TO BE INSTALLED PER MANUFACTURER'S WRITTEN INSTRUCTIONS.
 - PROTECTION AGAINST DECAY: (ALL PORTIONS OF A PORCH, SCREEN PORCH OR DECK FROM THE BOTTOM OF THE HEADER DOWN, INCLUDING POST, RAILS, PICKETS, STEPS AND FLOOR STRUCTURE.)
 - SHINGLED ROOF PITCHES FROM 2/12 TO 4/12 TO HAVE (2) LAYERS OF UNDERLAYMENT APPLIED AND OVERLAPPED PER R1905.2.1.

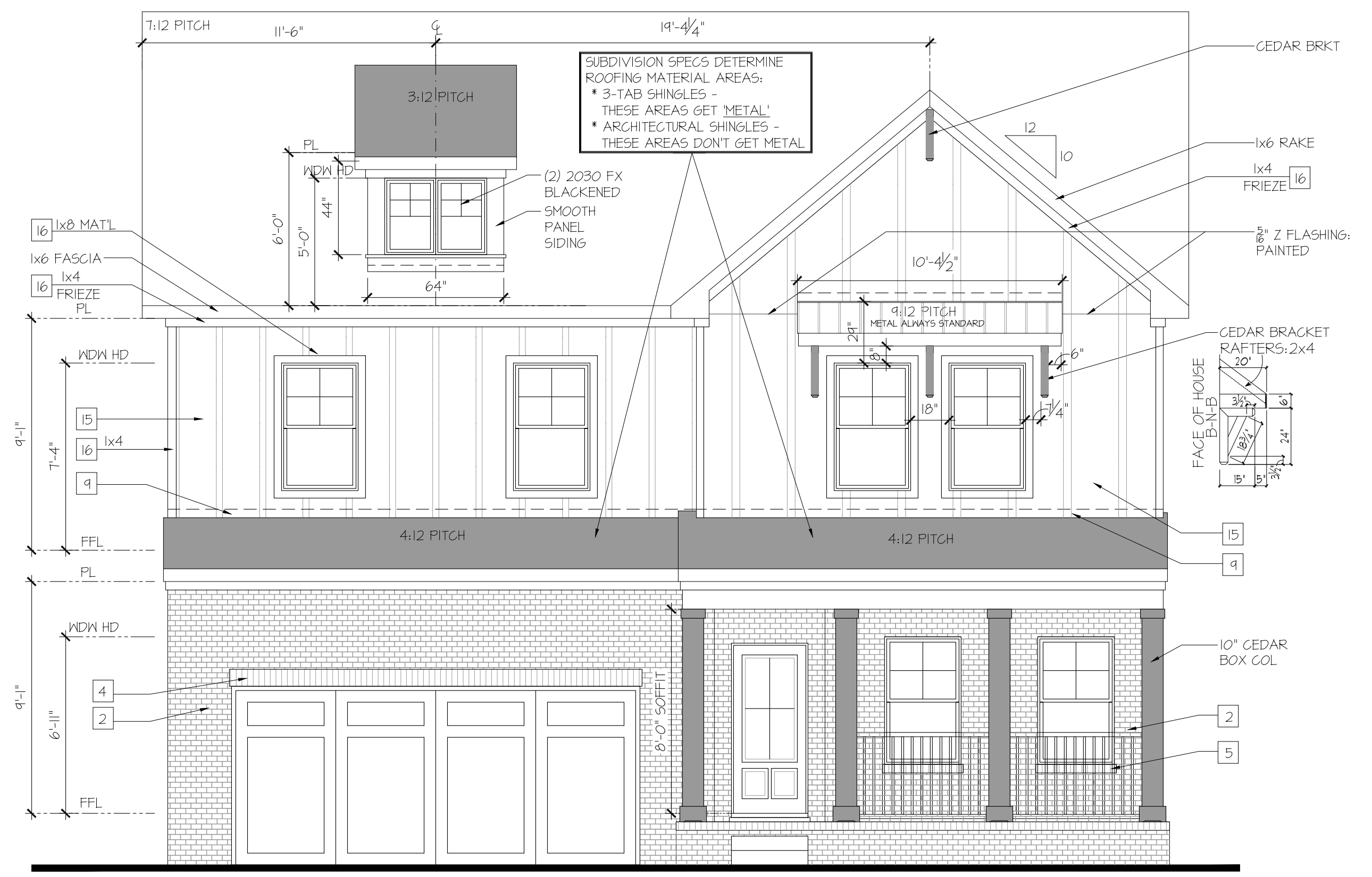
- KEY NOTES:**
- MASONRY:**
- ADHERED STONE VENEER AS SELECTED BY DEVELOPER. HEIGHT AS NOTED.
 - MASONRY FULL BRICK AS SELECTED BY DEVELOPER. HEIGHT AS NOTED.
 - MASONRY FULL STONE AS SELECTED BY DEVELOPER. HEIGHT AS NOTED.
 - 8" SOLDIER COURSE.
 - ROYLOCK COURSE.
 - DECORATIVE KEY. SEE DETAIL.
- TYPICALS:**
- CORROSION RESISTANT SCREEN LOWERED VENTS, SIZE AS NOTED.
 - CODE APPROVED TERMINATION CHIMNEY CAP.
 - CORROSION RESISTANT ROOF TO WALL FLASHING, CODE COMPLIANT FLASHING MUST BE INSTALLED AT ALL ROOF/WALL INTERSECTIONS.
 - STANDING SEAM METAL ROOF, INSTALL PER MANUFACTURER'S WRITTEN INSTRUCTIONS.
 - DECORATIVE WROUGHT IRON. SEE DETAILS.
- SIDING:**
- FIBER CEMENT SHAKE SIDING PER DEVELOPER.
 - 5/4x4 CORNER TRIM BOARDS.
 - FIBER CEMENT LAP SIDING PER DEVELOPER.
 - 5/4x4 CORNER TRIM BOARDS.
 - FIBER CEMENT WAVY SIDING PER DEVELOPER.
 - 5/4x4 CORNER TRIM BOARDS.
 - FIBER CEMENT PANEL SIDING (V. 1X3 BATTIS AT 12" O.C. VINYL BOARD AND BATT SIDING).
 - 1X FIBER CEMENT TRIM OR EQUAL, U.N.O. SIZE AS NOTED.
 - FALSE WOOD SHUTTERS, TYPE AS SHOWN. SIZE AS NOTED.

NO.	DATE:	REVISION:

PROFESSIONAL SEAL:

PROJECT TITLE:

Wakefield



Front Elevation 'PB1'
Opt. Basement

SCALE: 1/4"=1'-0" AT 22'X34" LAYOUT 1/8"=1'-0" AT 11'X11" LAYOUT

MASONRY PERCENTAGES

FRONT ELEV TOTAL SF		616 SF
BRICK	53 %	329 SF
STONE	0 %	0 SF
SIDING	0 %	0 SF
SHAKE	0 %	0 SF
B-N-B	47 %	287 SF

CHAFIN COMMUNITIES

SHEET TITLE:
WAKEFIELD EXTERIOR ELEVATIONS PB1

SHEET NO:
A1.9.2

NOTES:

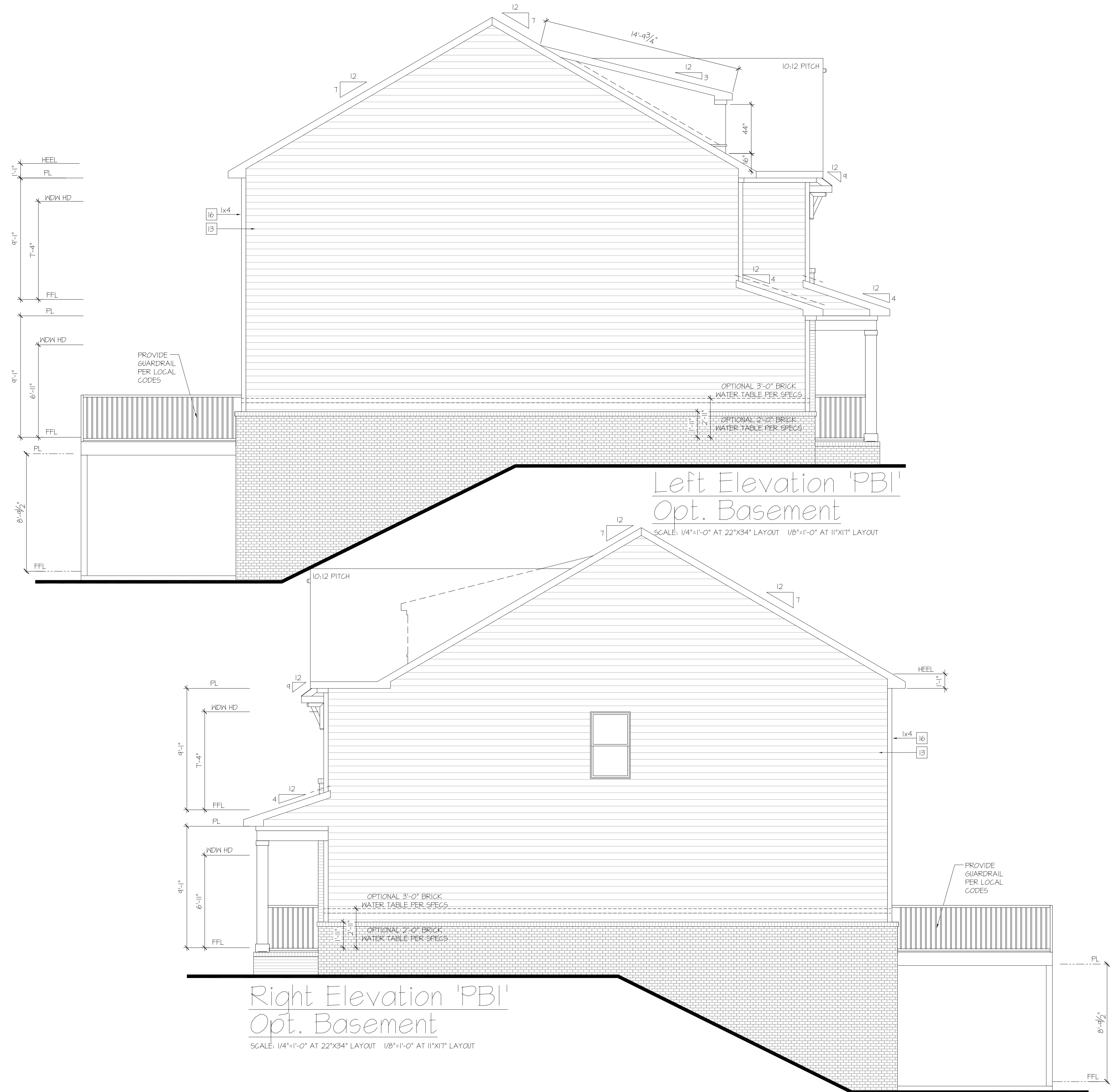
- GRADE CONDITIONS MAY VARY FOR INDIVIDUAL SITE FROM THAT SHOWN. BUILDER SHALL VERIFY AND COORDINATE PER ACTUAL SITE CONDITIONS.
- ROOFING: PITCHED SHINGLES PER DEVELOPER.
- WINDOWS: MANUFACTURER PER DEVELOPER. DIVIDED LITES AS SHOWN ON THE EXTERIOR ELEVATIONS
- ENTRY DOOR: AS SELECTED BY DEVELOPER.
- GARAGE DOORS: AS SELECTED BY DEVELOPER, RAISED PANEL AS SHOWN.
- CHIMNEY AS OCCURS. TOP OF CHIMNEYS TO BE A MINIMUM OF 24" ABOVE ANY ROOF WITHIN 10'-0" OF CHIMNEY.
- ALL EXTERIOR MATERIALS TO BE INSTALLED PER MANUFACTURER'S WRITTEN INSTRUCTIONS.
- PROTECTION AGAINST DECAY: (ALL PORTIONS OF A PORCH, SCREEN PORCH OR DECK FROM THE BOTTOM OF THE HEADER DOWN, INCLUDING POST, RAILS, PICKETS, STEPS AND FLOOR STRUCTURE.)
- SHINGLED ROOF PITCHES FROM 2/12 TO 4/12 TO HAVE (2) LAYERS OF UNDERLAYMENT APPLIED AND OVERLAPPED PER R905.2.1.

KEY NOTES:

- MASONRY:**
- 1 ADHERED STONE VENEER AS SELECTED BY DEVELOPER. HEIGHT AS NOTED.
 - 2 MASONRY FULL BRICK AS SELECTED BY DEVELOPER. HEIGHT AS NOTED.
 - 3 MASONRY FULL STONE AS SELECTED BY DEVELOPER. HEIGHT AS NOTED.
 - 4 8" SOLDIER COURSE.
 - 5 ROWLOCK COURSE.
 - 6 DECORATIVE KEY. SEE DETAIL.
- TYPICALS:**
- 7 CORROSION RESISTANT SCREEN LOUVERED VENTS, SIZE AS NOTED.
 - 8 CODE APPROVED TERMINATION CHIMNEY CAP.
 - 9 CORROSION RESISTANT ROOF TO WALL FLASHING. CODE COMPLIANT FLASHING MUST BE INSTALLED AT ALL ROOF/WALL INTERSECTIONS.
 - 10 STANDING SEAM METAL ROOF, INSTALL PER MANUFACTURER'S WRITTEN INSTRUCTIONS.
 - 11 DECORATIVE WROUGHT IRON. SEE DETAILS.
- SIDING:**
- 2 FIBER CEMENT SHAKE SIDING PER DEVELOPER
 - W 5/4x4 CORNER TRIM BOARDS.
 - 3 FIBER CEMENT LAP SIDING PER DEVELOPER
 - W 5/4x4 CORNER TRIM BOARDS.
 - 4 FIBER CEMENT WAVY SIDING PER DEVELOPER
 - W 5/4x4 CORNER TRIM BOARDS.
 - 5 FIBER CEMENT PANEL SIDING W/ 1X3 BATTS AT 12" O.C. (VINYL BOARD AND BATT SIDING)
 - 6 1X FIBER CEMENT TRIM OR EQUAL, U.N.O. SIZE AS NOTED
 - 7 FALSE WOOD SHUTTERS, TYPE AS SHOWN. SIZE AS NOTED.

WINDOW HEAD HEIGHTS

- 1ST FLOOR:
5'-0" HIGH WINDOW = 6'-11" HEADER U.N.O.
- 2ND FLOOR:
5'-0" HIGH WINDOW = 7'-4" HEADER U.N.O.



NO.	DATE	REVISION

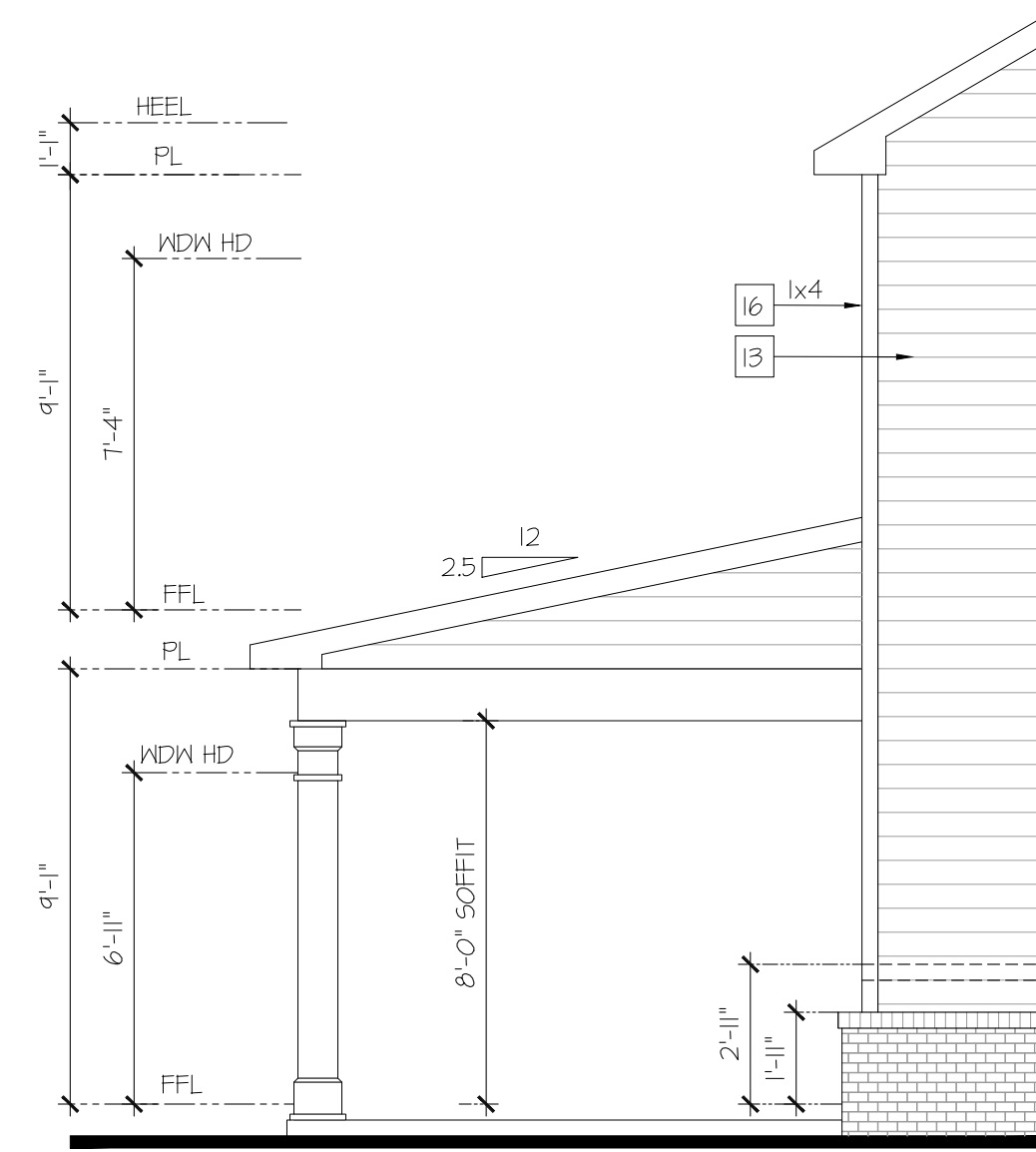
PROFESSIONAL SEAL:

PROJECT TITLE:
Wakefield



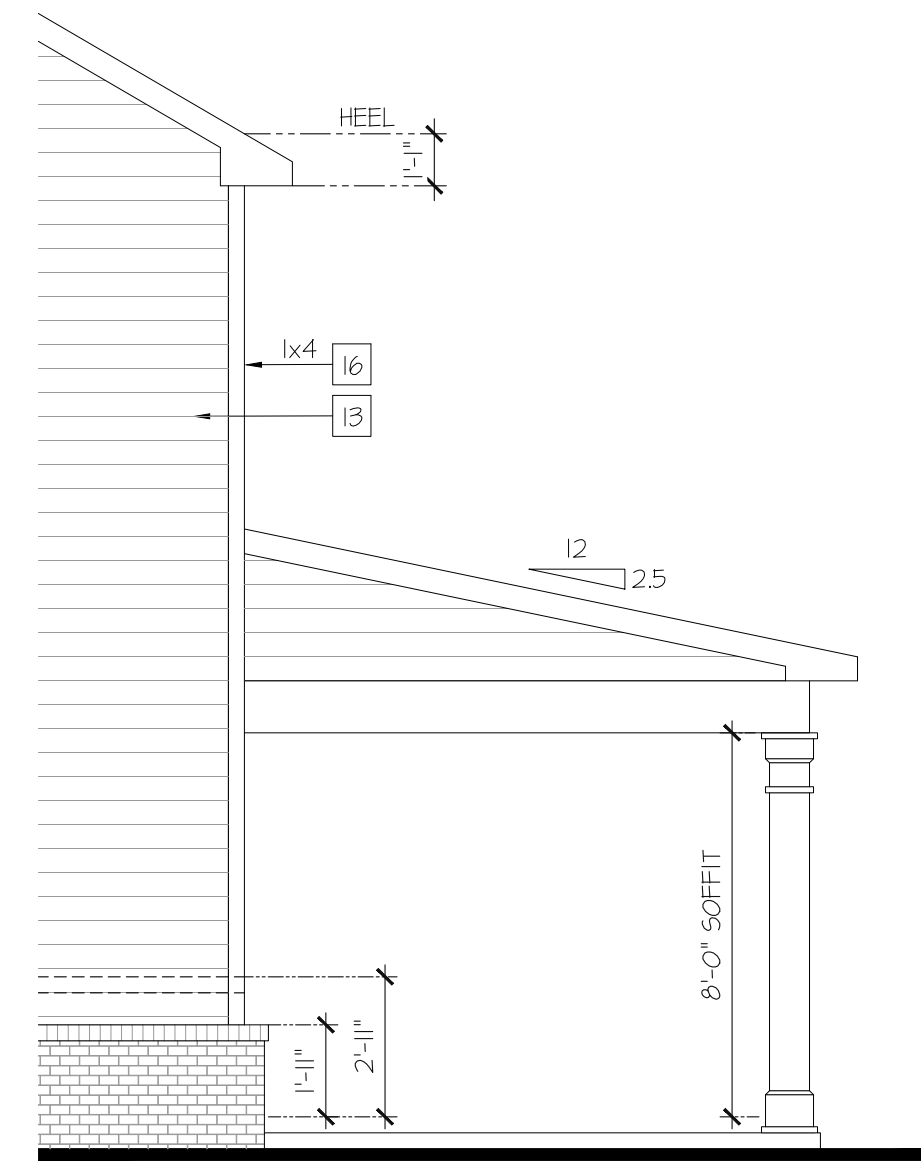
SHEET TITLE:
WAKEFIELD EXTERIOR ELEVATIONS PB1

SHEET NO.:
A1.9.3



Partial Left Elevation
w/ Opt. Covered Patio

SCALE: 1/4"=1'-0" AT 22"X34" LAYOUT 1/8"=1'-0" AT 11"X11" LAYOUT



Partial Right Elevation
w/ Opt. Covered Patio

SCALE: 1/4"=1'-0" AT 22"X34" LAYOUT 1/8"=1'-0" AT 11"X11" LAYOUT

NOTES:

- GRADE CONDITIONS MAY VARY FOR INDIVIDUAL SITE FROM THAT SHOWN. BUILDER SHALL VERIFY AND COORDINATE PER ACTUAL SITE CONDITIONS.
- ROOFING: PITCHED SHINGLES PER DEVELOPER.
- WINDOWS: MANUFACTURER PER DEVELOPER. DIVIDED LITES AS SHOWN ON THE EXTERIOR ELEVATIONS.
- ENTRY DOOR: AS SELECTED BY DEVELOPER.
- GARAGE DOORS: AS SELECTED BY DEVELOPER, RAISED PANEL AS SHOWN.
- CHIMNEY AS OCCURS: TOP OF CHIMNEYS TO BE A MINIMUM OF 24" ABOVE ANY ROOF WITHIN 10'-0" OF CHIMNEY.
- ALL EXTERIOR MATERIALS TO BE INSTALLED PER MANUFACTURER'S WRITTEN INSTRUCTIONS.
- PROTECTION AGAINST DECAY: (ALL PORTIONS OF A PORCH, SCREEN PORCH OR DECK FROM THE BOTTOM OF THE HEADER DOWN, INCLUDING POST, RAILS, PICKETS, STEPS AND FLOOR STRUCTURE.)
- SHINGLED ROOF PITCHES FROM 2/12 TO 4/12 TO HAVE (2) LAYERS OF UNDERLAYMENT APPLIED AND OVERLAPPED PER R405.2.1.

KEY NOTES:

- MASONRY:
- 1 ADHERED STONE VENEER AS SELECTED BY DEVELOPER. HEIGHT AS NOTED.
 - 2 MASONRY FULL BRICK AS SELECTED BY DEVELOPER. HEIGHT AS NOTED.
 - 3 MASONRY FULL STONE AS SELECTED BY DEVELOPER. HEIGHT AS NOTED.
 - 4 8" SOLDIER COURSE.
 - 5 ROWLOCK COURSE.
 - 6 DECORATIVE KEY. SEE DETAIL.
- TYPICALS:
- 7 CORROSION RESISTANT SCREEN LOUVERED VENTS, SIZE AS NOTED.
 - 8 CODE APPROVED TERMINATION CHIMNEY CAP.
 - 9 CORROSION RESISTANT ROOF TO WALL FLASHING. CODE COMPLIANT FLASHING MUST BE INSTALLED AT ALL ROOF/WALL INTERSECTIONS.
 - 10 STANDING SEAM METAL ROOF. INSTALL PER MANUFACTURER'S WRITTEN INSTRUCTIONS.
 - 11 DECORATIVE WROUGHT IRON. SEE DETAILS.
- SIDING:
- 12 FIBER CEMENT SHAKE SIDING PER DEVELOPER W/ 5/4x4 CORNER TRIM BOARDS.
 - 13 FIBER CEMENT LAP SIDING PER DEVELOPER W/ 5/4x4 CORNER TRIM BOARDS.
 - 14 FIBER CEMENT WAVY SIDING PER DEVELOPER W/ 5/4x4 CORNER TRIM BOARDS.
 - 15 FIBER CEMENT PANEL SIDING W/ 1X3 BATTS AT 12" O.C. (VINYL BOARD AND BATT SIDING)
 - 16 1X FIBER CEMENT TRIM OR EQUAL, U.N.O. SIZE AS NOTED
 - 17 FALSE WOOD SHUTTERS, TYPE AS SHOWN. SIZE AS NOTED.

WINDOW HEAD HEIGHTS

- 1ST FLOOR:
5'-0" HIGH WINDOW = 6'-11" HEADER U.N.O.
- 2ND FLOOR:
5'-0" HIGH WINDOW = 7'-4" HEADER U.N.O.



Rear Elevation w/
Opt. Covered Patio

SCALE: 1/4"=1'-0" AT 22"X34" LAYOUT 1/8"=1'-0" AT 11"X11" LAYOUT

NO.	DATE:	REVISION:

PROFESSIONAL SEAL:

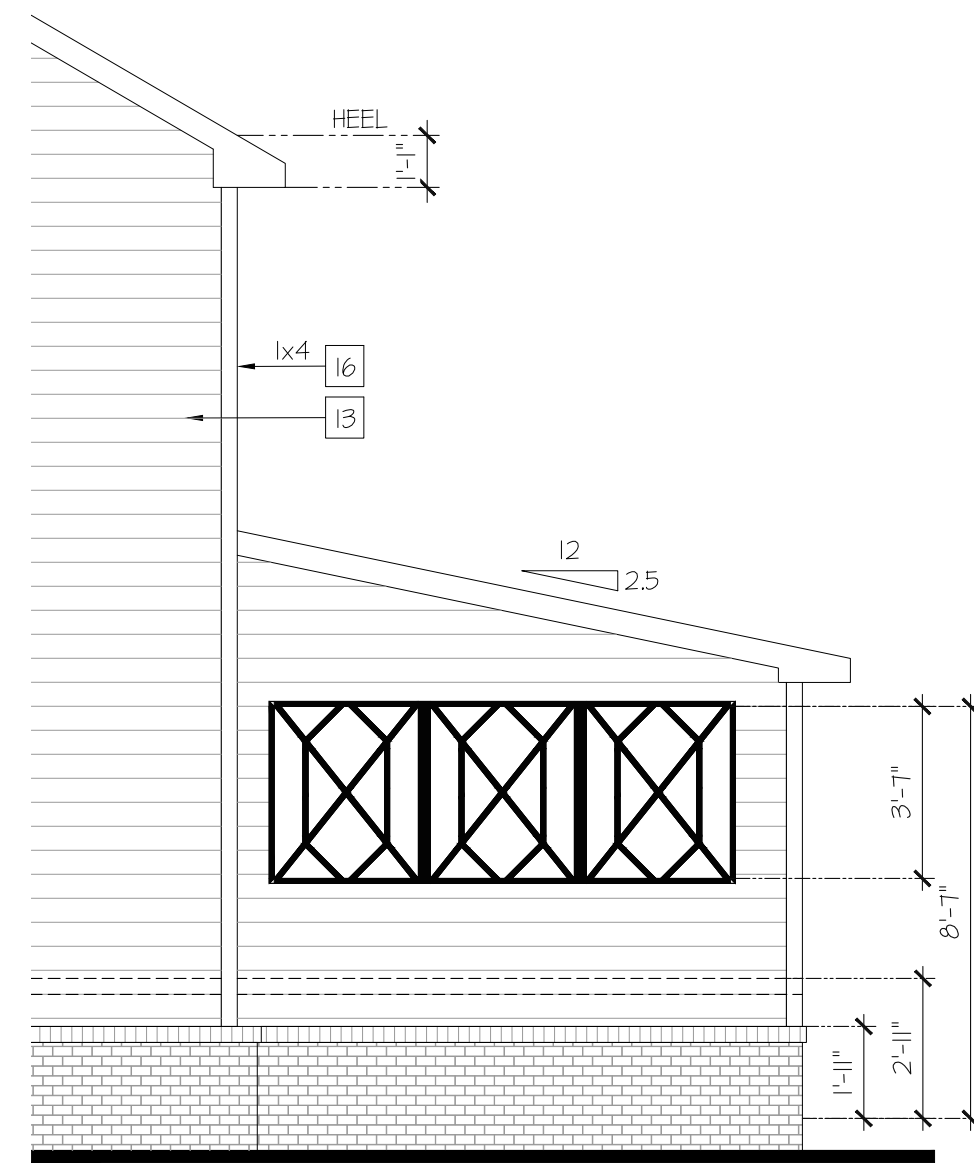
PROJECT TITLE:

Wakefield

CHAFIN
COMMUNITIES

SHEET TITLE:
**WAKEFIELD
EXTERIOR
ELEVATIONS**

SHEET NO:
A1.5.5



Partial Right Elevation
w/ Opt. Covered Patio
& Privacy Wall

SCALE: 1/4"=1'-0" AT 22'X34" LAYOUT 1/8"=1'-0" AT 11'X11" LAYOUT

NOTES:

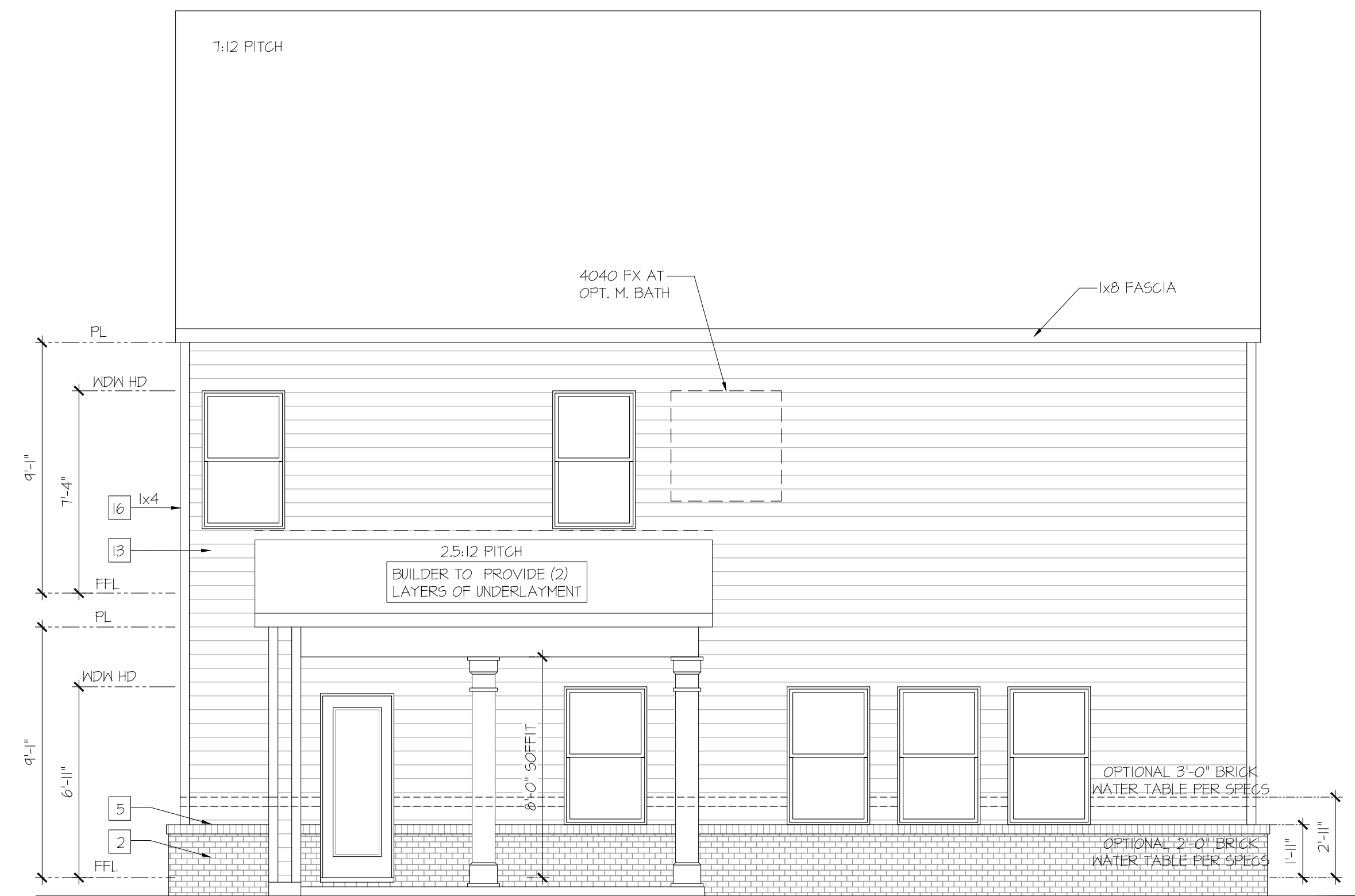
- GRADE CONDITIONS MAY VARY FOR INDIVIDUAL SITE FROM THAT SHOWN. BUILDER SHALL VERIFY AND COORDINATE PER ACTUAL SITE CONDITIONS.
- ROOFING: PITCHED SHINGLES PER DEVELOPER.
- WINDOWS: MANUFACTURER PER DEVELOPER. DIVIDED LITES AS SHOWN ON THE EXTERIOR ELEVATIONS.
- ENTRY DOOR: AS SELECTED BY DEVELOPER.
- GARAGE DOORS: AS SELECTED BY DEVELOPER, RAISED PANEL AS SHOWN.
- CHIMNEY AS OCCURS: TOP OF CHIMNEYS TO BE A MINIMUM OF 24" ABOVE ANY ROOF WITHIN 10'-0" OF CHIMNEY.
- ALL EXTERIOR MATERIALS TO BE INSTALLED PER MANUFACTURER'S WRITTEN INSTRUCTIONS.
- PROTECTION AGAINST DECAY: (ALL PORTIONS OF A PORCH, SCREEN PORCH OR DECK FROM THE BOTTOM OF THE HEADER DOWN, INCLUDING POST, RAILS, PICKETS, STEPS AND FLOOR STRUCTURE.)
- SHINGLED ROOF PITCHES FROM 2/12 TO 4/12 TO HAVE (2) LAYERS OF UNDERLAYMENT APPLIED AND OVERLAPPED PER R405.2.1.

KEY NOTES:

- MASONRY:
- 1 ADHERED STONE VENEER AS SELECTED BY DEVELOPER. HEIGHT AS NOTED.
 - 2 MASONRY FULL BRICK AS SELECTED BY DEVELOPER. HEIGHT AS NOTED.
 - 3 MASONRY FULL STONE AS SELECTED BY DEVELOPER. HEIGHT AS NOTED.
 - 4 8" SOLDIER COURSE.
 - 5 ROWLOCK COURSE.
 - 6 DECORATIVE KEY. SEE DETAIL.
- TYPICALS:
- 7 CORROSION RESISTANT SCREEN LOUVERED VENTS, SIZE AS NOTED.
 - 8 CODE APPROVED TERMINATION CHIMNEY CAP.
 - 9 CORROSION RESISTANT ROOF TO WALL FLASHING. CODE COMPLIANT FLASHING MUST BE INSTALLED AT ALL ROOF/WALL INTERSECTIONS.
 - 10 STANDING SEAM METAL ROOF, INSTALL PER MANUFACTURER'S WRITTEN INSTRUCTIONS.
 - 11 DECORATIVE WROUGHT IRON. SEE DETAILS.
- SIDING:
- 12 FIBER CEMENT SHAKE SIDING PER DEVELOPER W/ 5/4x4 CORNER TRIM BOARDS.
 - 13 FIBER CEMENT LAP SIDING PER DEVELOPER W/ 5/4x4 CORNER TRIM BOARDS.
 - 14 FIBER CEMENT WAVY SIDING PER DEVELOPER W/ 5/4x4 CORNER TRIM BOARDS.
 - 15 FIBER CEMENT PANEL SIDING W/ 1X3 BATTS AT 12" O.C. (VINYL BOARD AND BATT SIDING)
 - 16 1X FIBER CEMENT TRIM OR EQUAL, U.N.O. SIZE AS NOTED
 - 17 FALSE WOOD SHUTTERS, TYPE AS SHOWN. SIZE AS NOTED.

WINDOW HEAD HEIGHTS

- 1ST FLOOR:
5'-0" HIGH WINDOW = 6'-11" HEADER U.N.O.
- 2ND FLOOR:
5'-0" HIGH WINDOW = 1'-4" HEADER U.N.O.



Rear Elevation
w/ Opt. Covered Patio
& Privacy Wall

SCALE: 1/4"=1'-0" AT 22'X34" LAYOUT 1/8"=1'-0" AT 11'X11" LAYOUT

NO.	DATE:	REVISION:

PROFESSIONAL SEAL:

PROJECT TITLE:

Wakefield

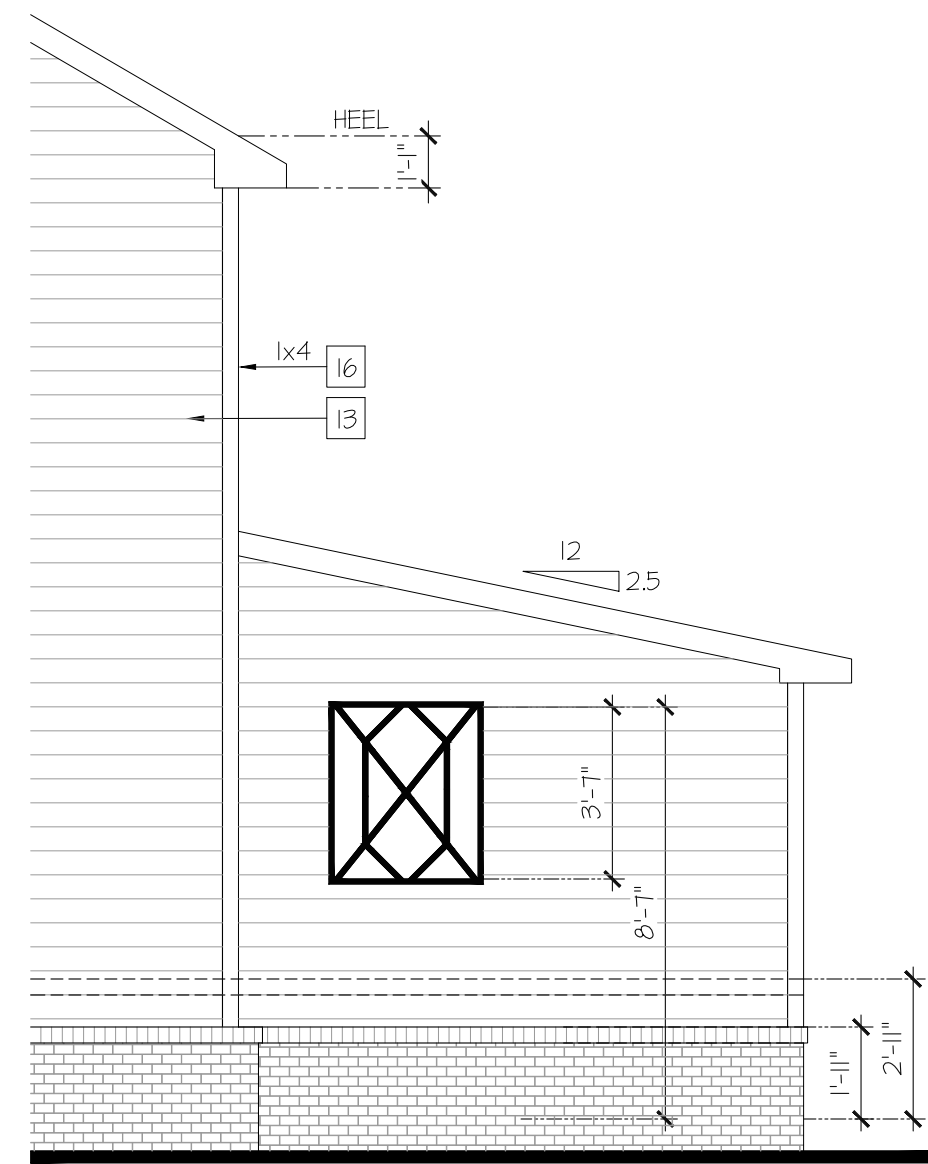
CHAFIN
COMMUNITIES

SHEET TITLE:
**WAKEFIELD
EXTERIOR
ELEVATIONS**

SHEET NO:
A1.5.6

WINDOW HEAD HEIGHTS

- 1ST FLOOR:
5'-0" HIGH WINDOW = 6'-11" HEADER U.N.O.
- 2ND FLOOR:
5'-0" HIGH WINDOW = 7'-4" HEADER U.N.O.



Partial Right Elevation
w/ Opt. Covered Patio
Fireplace & Privacy Wall

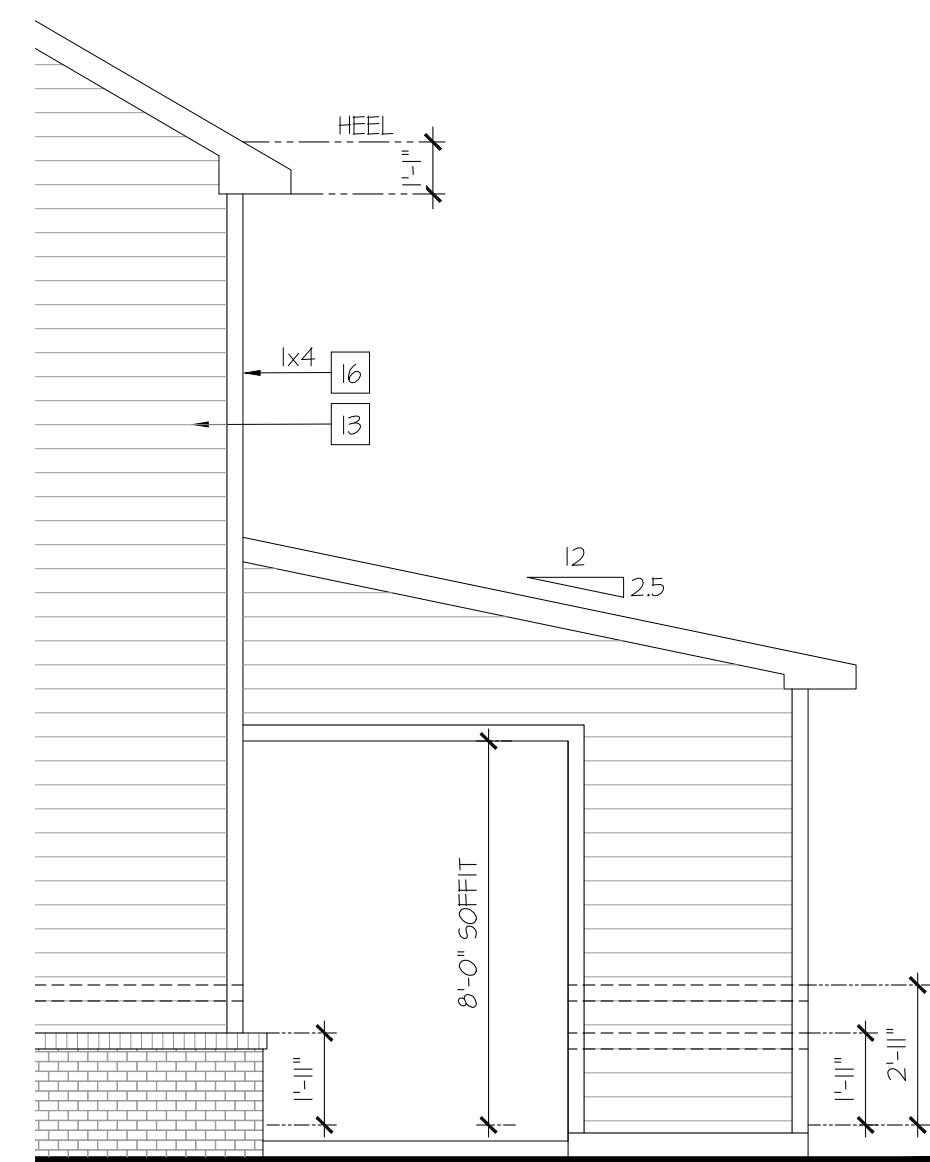
SCALE: 1/4"=1'-0" AT 22'X34" LAYOUT 1/8"=1'-0" AT 11'X11" LAYOUT

NOTES:

- GRADE CONDITIONS MAY VARY FOR INDIVIDUAL SITE FROM THAT SHOWN. BUILDER SHALL VERIFY AND COORDINATE PER ACTUAL SITE CONDITIONS.
- ROOFING: PITCHED SHINGLES PER DEVELOPER.
- WINDOWS: MANUFACTURER PER DEVELOPER. DIVIDED LITES AS SHOWN ON THE EXTERIOR ELEVATIONS.
- ENTRY DOOR: AS SELECTED BY DEVELOPER.
- GARAGE DOORS: AS SELECTED BY DEVELOPER, RAISED PANEL AS SHOWN.
- CHIMNEY AS OCCURS: TOP OF CHIMNEYS TO BE A MINIMUM OF 24" ABOVE ANY ROOF WITHIN 10'-0" OF CHIMNEY.
- ALL EXTERIOR MATERIALS TO BE INSTALLED PER MANUFACTURER'S WRITTEN INSTRUCTIONS.
- PROTECTION AGAINST DECAY: (ALL PORTIONS OF A PORCH, SCREEN PORCH OR DECK FROM THE BOTTOM OF THE HEADER DOWN, INCLUDING POST, RAILS, PICKETS, STEPS AND FLOOR STRUCTURE.)
- SHINGLED ROOF PITCHES FROM 2/12 TO 4/12 TO HAVE (2) LAYERS OF UNDERLAYMENT APPLIED AND OVERLAPPED PER R405.2.1.

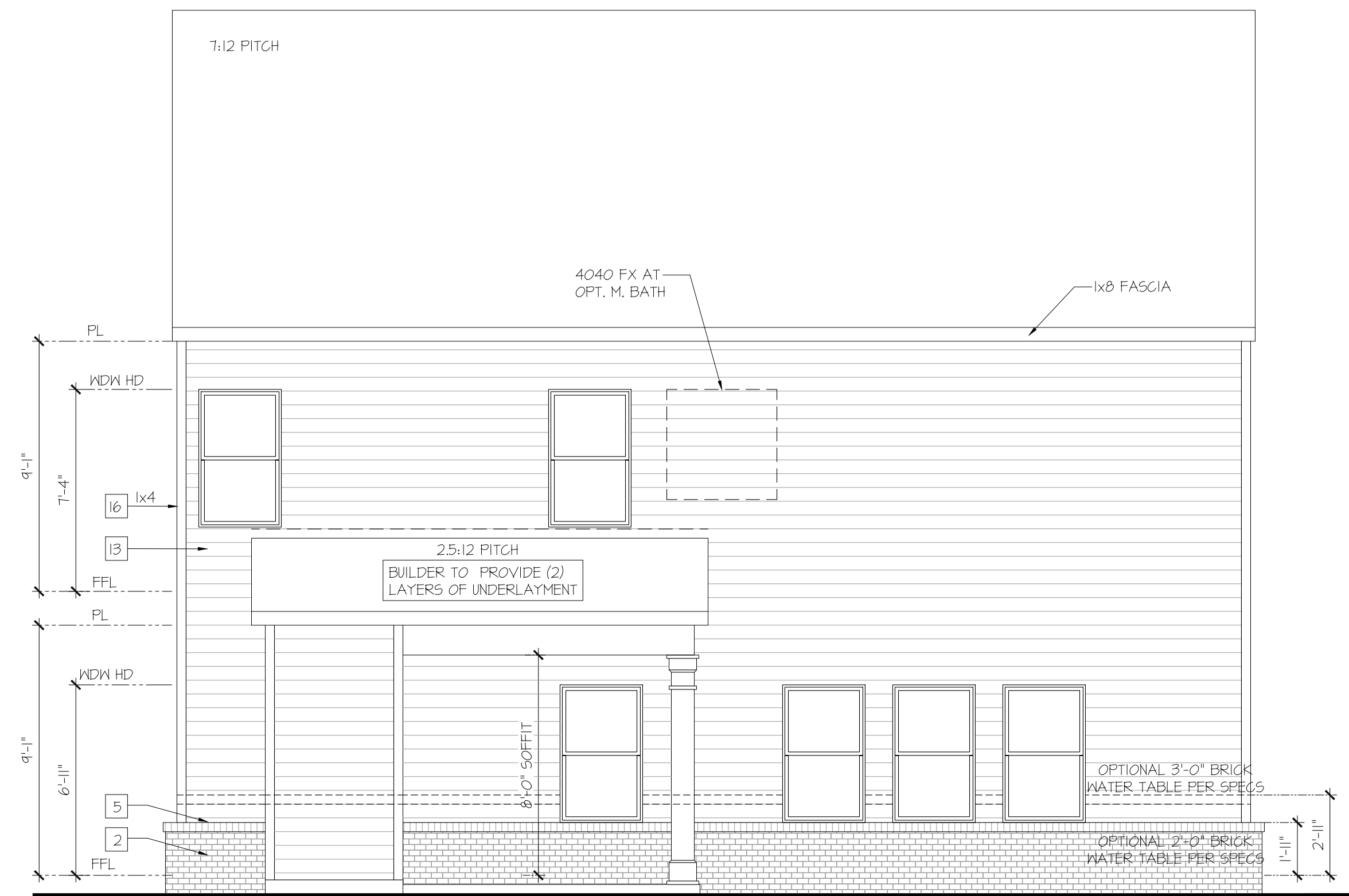
KEY NOTES:

- MASONRY:**
- ADHERED STONE VENEER AS SELECTED BY DEVELOPER. HEIGHT AS NOTED.
 - MASONRY FULL BRICK AS SELECTED BY DEVELOPER. HEIGHT AS NOTED.
 - MASONRY FULL STONE AS SELECTED BY DEVELOPER. HEIGHT AS NOTED.
 - 8" SOLDIER COURSE.
 - ROWLOCK COURSE
 - DECORATIVE KEY. SEE DETAIL.
- TYPICALS:**
- CORROSION RESISTANT SCREEN LOUVERED VENTS, SIZE AS NOTED.
 - CODE APPROVED TERMINATION CHIMNEY CAP.
 - CORROSION RESISTANT ROOF TO WALL FLASHING. CODE COMPLIANT FLASHING MUST BE INSTALLED AT ALL ROOF/WALL INTERSECTIONS.
 - STANDING SEAM METAL ROOF, INSTALL PER MANUFACTURER'S WRITTEN INSTRUCTIONS.
 - DECORATIVE WROUGHT IRON. SEE DETAILS.
- SIDING:**
- FIBER CEMENT SHAKE SIDING PER DEVELOPER W/ 5/4x4 CORNER TRIM BOARDS.
 - FIBER CEMENT LAP SIDING PER DEVELOPER W/ 5/4x4 CORNER TRIM BOARDS.
 - FIBER CEMENT WAVY SIDING PER DEVELOPER W/ 5/4x4 CORNER TRIM BOARDS.
 - FIBER CEMENT PANEL SIDING W/ 1X3 BATTS AT 12" O.C. (VINYL BOARD AND BATT SIDING)
 - 1X FIBER CEMENT TRIM OR EQUAL, U.N.O. SIZE AS NOTED
 - FALSE WOOD SHUTTERS, TYPE AS SHOWN. SIZE AS NOTED.



Partial Right Elevation
w/ Opt. Covered Patio
& Fireplace

SCALE: 1/4"=1'-0" AT 22'X34" LAYOUT 1/8"=1'-0" AT 11'X11" LAYOUT



Rear Elevation
w/ Opt. Covered Patio
& Fireplace

SCALE: 1/4"=1'-0" AT 22'X34" LAYOUT 1/8"=1'-0" AT 11'X11" LAYOUT

NO.	DATE:	REVISION:

PROFESSIONAL SEAL:

PROJECT TITLE:

Wakefield

CHAFIN
COMMUNITIES

SHEET TITLE:
**WAKEFIELD
EXTERIOR
ELEVATIONS**

SHEET NO.:
A1.5.7