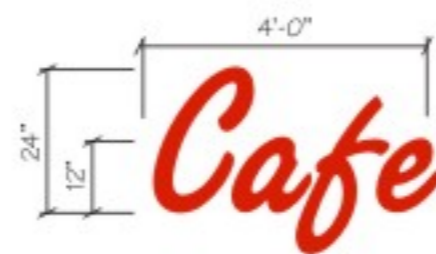
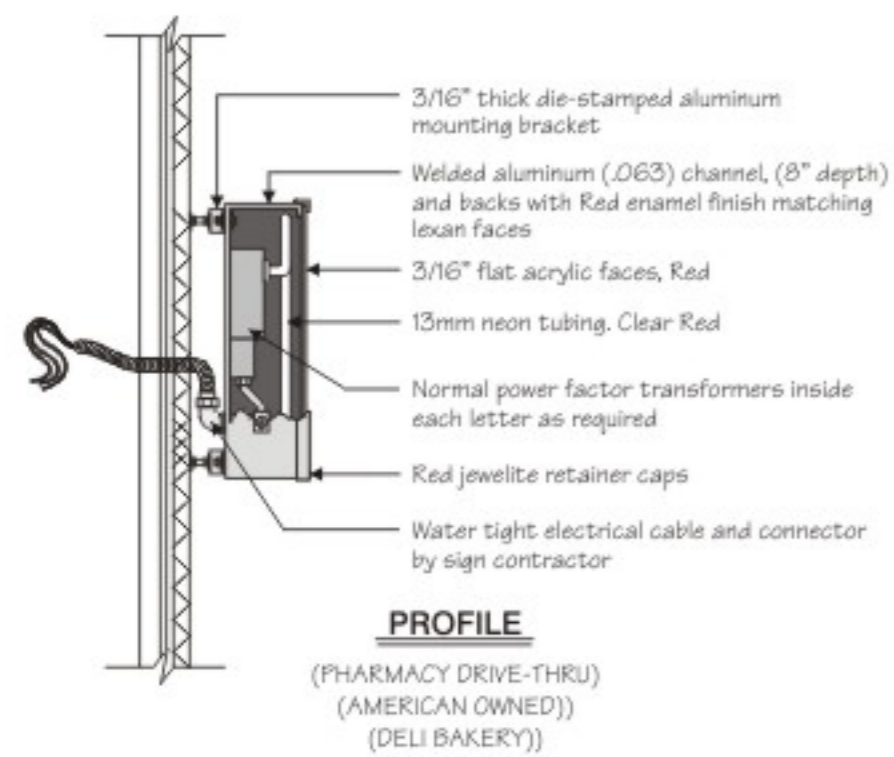
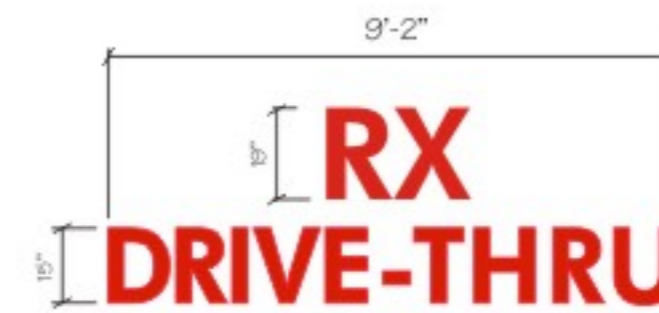


Scale: 1/4" = 1'-0" SIGN ELEVATION



Scale: 3/8" = 1'-0" SIGN ELEVATION



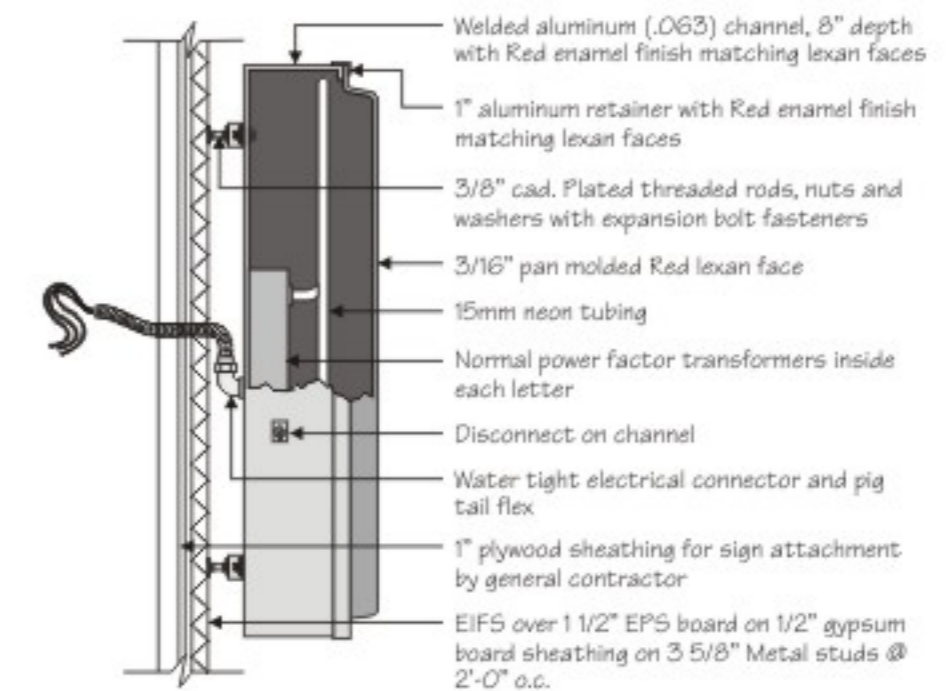
Scale: 3/8" = 1'-0" SIGN ELEVATION



Scale: 1/4" = 1'-0" SIGN ELEVATION

**SIGN SQUARE FOOTAGE**

PHARMACY	@ 1'-3" X 10'-6" =	13.13
RX DRIVE-THRU	@ 3'-4" X 9' - 2" =	30.54
CAFE	@ 2'-0" X 4'-0" =	8.00
AMERICAN OWNED	@ 3'-6" X 12'-0" =	42.00
INGLES	@ 9'-4" X 27'-6" =	256.58
FRESH FOODS	@ 4'-7" X 8'-0" =	36.64
<b>TOTAL =</b>		<b>386.89</b>



**PROFILE**  
(Ingles Letters)

THIS SIGN TO BEAR Underwriters Label **120 VOLTS**

**Rainbow Signs, Inc.**  
GREENWOOD, SC 864-223-8423

CUSTOMER NAME: INGLES (Store #412) FLOWERY BRANCH, GA	ACC. EXEC. C. Priest	JOB NO. 18-252	APPROVED BY CUSTOMER:
ADDRESS: 4260 Winder Hwy.	DESIGNER: C. Sayer	DATE: 9/12/2018	DATE: / /
SIGN TYPE: Illuminated Letters	SCALE: 1/16" = 1'-0"	FILE: #412 Flowery Branch Front Elevation	
COPY RIGHTS NOTICE: This design, artwork and printed presentation is the sole property of Rainbow Sign Company, Inc. and may not be used without written permission from Rainbow Sign Company, Inc.			

Electrical current to sign location and final connection not by Rainbow Sign Co., Inc.

**SIGN A: Gas Canopy**

Sq. Ft: **39**



11801 Anderson Road, Greenville, SC 29611

Phone: (864)295-2287

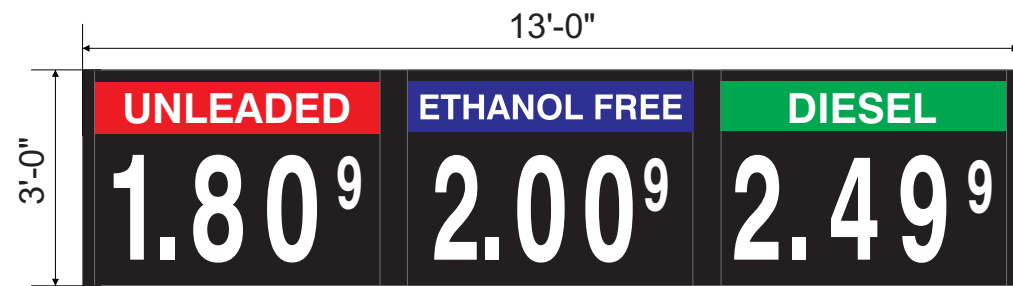
Fax: (864)269 7711

www.masstarsigns.com

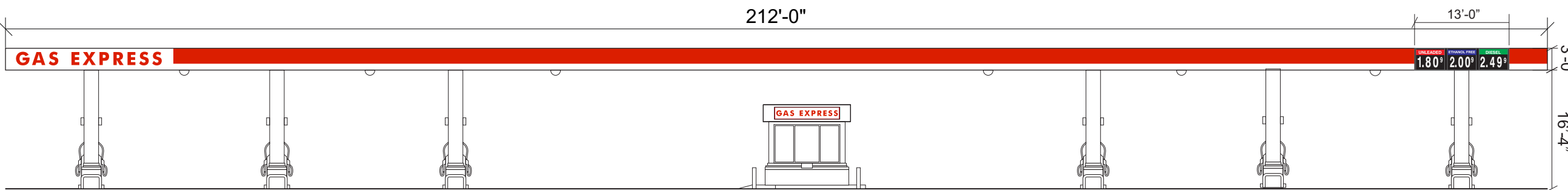
**SPECIFICATIONS**

Qty: 1 Gas Canopy Digit Cabinet

**INSTALL ONLY**



Scale: 3/8" = 1'-0" REAR ELEVATION



Scale: 1/16" = 1'-0" REAR ELEVATION

Job Number: **220919**

Client: **Ingles #412**

Address: **4260 Winder Hwy  
Flowery Branch, GA 30542**

Salesperson: **Craig Inabinett**

Designer: **Teri Hester**

Date Originated: **08-23-22**

Manufacture By: \_\_\_\_\_

Install By: \_\_\_\_\_

Conceptual:

Finalized:

Drawing Scale: **As Noted**

Vector Artwork: \_\_\_\_\_

Revision 1: **02-15-23 TH**

Revision 2: \_\_\_\_\_

Revision 3: \_\_\_\_\_

Revision 4: \_\_\_\_\_

Revision 5: \_\_\_\_\_

Revision 6: \_\_\_\_\_

Revision 7: \_\_\_\_\_

Customer Approved: \_\_\_\_\_

Date: \_\_\_\_\_

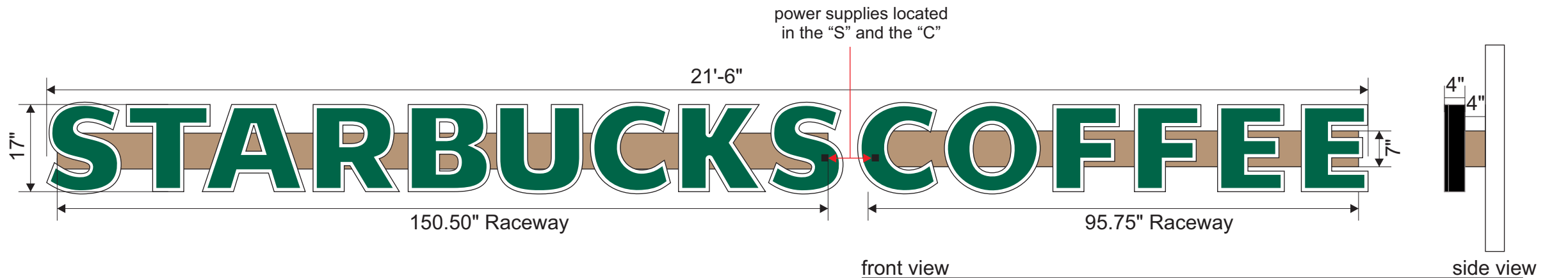
Landlord Approved: \_\_\_\_\_

Date: \_\_\_\_\_



**COLOR & MATERIAL LEGEND**

	<b>CABINET</b>
	<b>-PMS BLACK</b>
<b>ILLUMINATION</b>	
	<b>POWER</b>
	<b>120V</b>
	<b>LED COLOR</b>
	<b>White Sloan</b>



Scale: 1/2" = 1' (11x17 Paper)

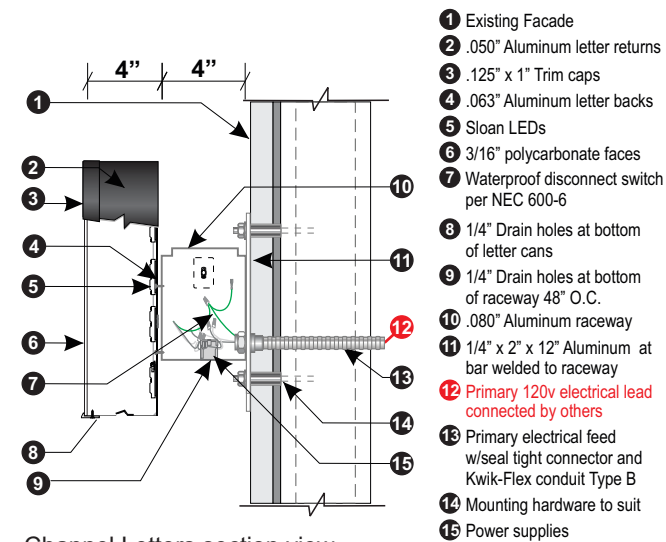
**SPECIFICATIONS**

**Qty: 1 Face-Lit Channel Letters**

4" deep returns painted black with flat white acrylic faces with first surface green vinyl graphics. Black jewelite trim-caps to match returns.

Internally-illuminated by white LEDs. Power supplies and wiring located in 4" aluminum raceway, color to match building fascia.

All wiring UL approved. Raceway installed flush to brick fascia via 3/8" bolts.



Channel Letters section view

Scale: NTS (11x17 Paper)

**MOUNTING TO MASONRY VENEER/PLYWOOD**

**FASTENER SCHEDULE**

	3/8" Dia. Threaded Rod w/ Unistrut	For Use With Wood, Concrete, Block, or EIFS Wall Systems.
	1/4" Tapcon	For Use With Masonry Wall

**COLOR & MATERIAL LEGEND**

	<b>ACRYLIC FACES</b> WHITE
	<b>VINYL</b> PMS 3425C 3M 3630-76 HOLLY GREEN
	<b>RETURNS, TRIMCAPS</b> PMS BLACK MP BLACK
	<b>RACEWAY</b> SW 7724 CANOE MP 62109
<b>ILLUMINATION</b>	
<b>POWER</b>	<b>LED COLOR</b>
120V	White Sloan



Scale: 1/16" = 1'-0" **SIGN ELEVATION**

Job Number: 220903

Client: Ingles #412

Address: 4260 Winder Highway

Flowery Branch, GA 30542

Salesperson: Craig Inabinett

Designer: Teri Hester

Date Originated: 07-18-22

Manufacture By:

Install By:

Conceptual:

Finalized:

Drawing Scale: As Noted

Vector Artwork:

Revision 1:

Revision 2:

Revision 3:

Revision 4:

Revision 5:

Revision 6:

Revision 7:

Customer Approved:

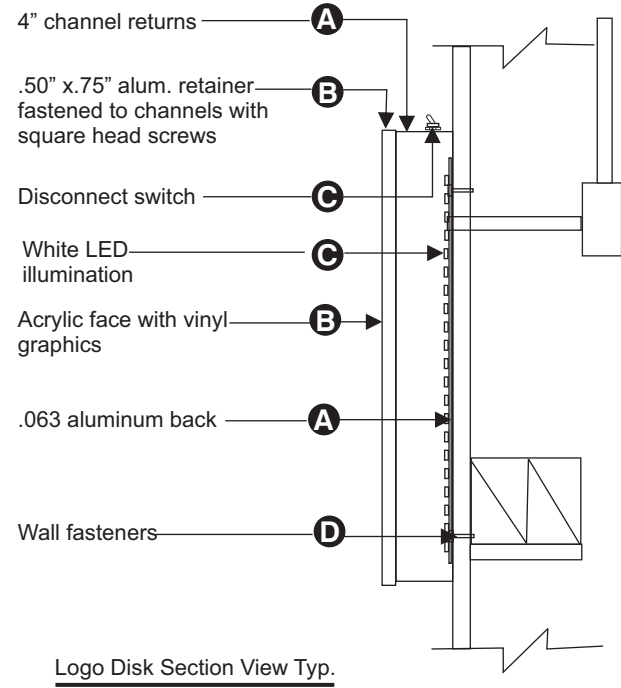
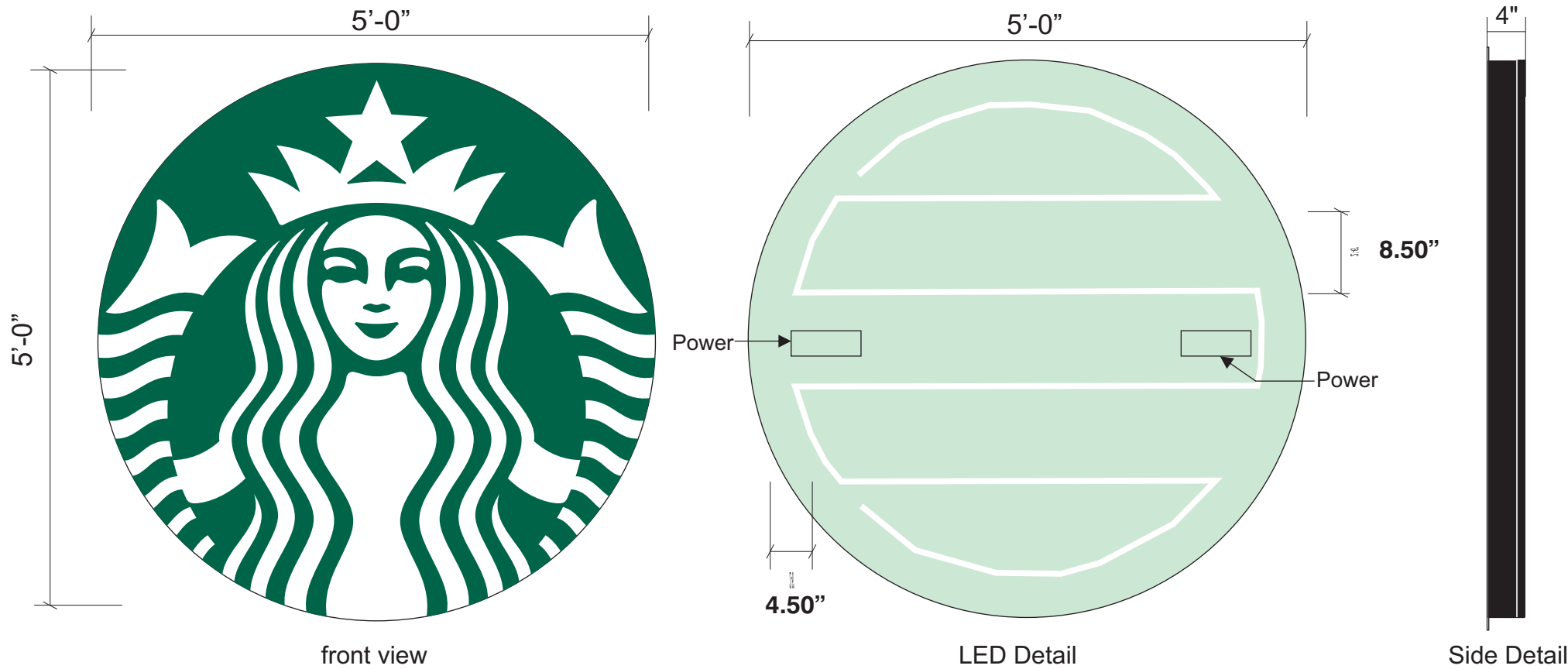
Date:

Landlord Approved:

Date:



60 ILLUMINATED STARBUCKS SIREN  
@ 2.50 x 2.50 x 2.50 = 19.63 Sq. Ft.



Scale: 3/4" = 1' (11x17 Paper)

**SPECIFICATIONS**

**Qty: 1 Illuminated Single-faced Starbucks Channel Logo**

Single-faced internally-illuminated wall mounted logo. 4" deep aluminum cabinet is black polyurethane. Face to be 3/16" white acrylic. 3/4" x 1" aluminum retainer with square head screws. Black.

Acrylic face with first surface 3M translucent vinyl #3630-76 Holly Green. Siren to show through white.

Internally-illuminated logo disk with GE white LEDs fastened to back of disk. Power with self contained power supplies covered with white vinyl. Fasten to wall / building front with required fasteners.



Scale: 1/16" = 1'-0" **SIGN ELEVATION**

THIS SIGN TO BEAR Underwriters Label 120 VOLTS

This sign is intended to be installed in accordance with the requirements of Article 600 of the National Electrical Code and/or other applicable local codes. This includes proper grounding and bonding of the sign.



COLOR & MATERIAL LEGEND	
ACRYLIC FACES WHITE	
VINYL PMS 3425C 3M 3630-76 HOLLY GREEN	
CABINET, CONDUIT PMS BLACK MP BLACK	
ILLUMINATION	
POWER	LED COLOR
120V	White Sloan

Job Number: **220903**  
Client: **Ingles #412**  
Address: **4260 Winder Highway**  
**Flowery Branch, GA 30542**  
Salesperson: **Craig Inabinett**  
Designer: **Teri Hester**  
Date Originated: **07-18-22**  
Manufacture By:  
Install By:

Conceptual:   
Finalized:   
Drawing Scale: **As Noted**

Vector Artwork:  
Revision 1:  
Revision 2:  
Revision 3:  
Revision 4:  
Revision 5:  
Revision 6:  
Revision 7:

Customer Approved:  
\_\_\_\_\_

Date: \_\_\_\_\_

Landlord Approved:  
\_\_\_\_\_

Date: \_\_\_\_\_

