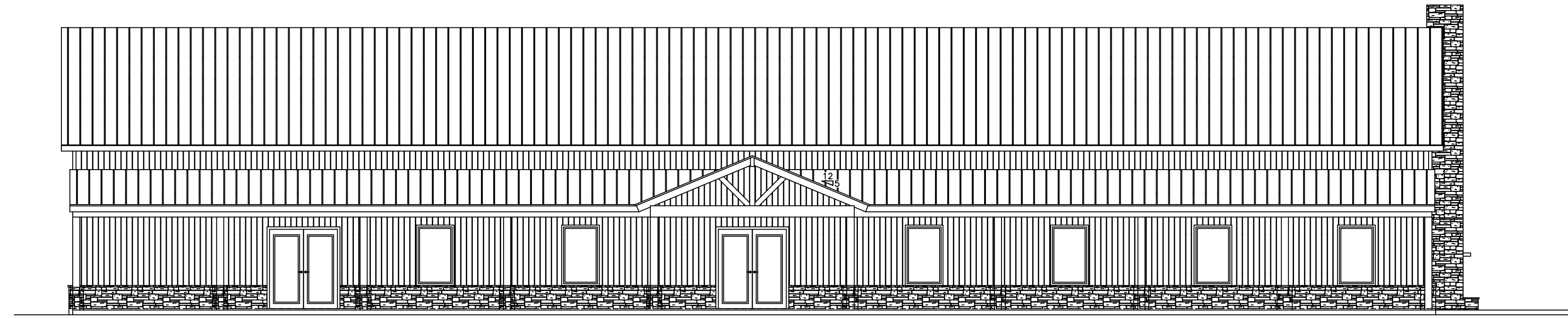


JOE PARKER ROAD EVENT CENTER

HALL COUNTY, GEORGIA



CDD - DRD

P.O. BOX 455
ALTO, GA. 30510
(706)968-9270 or (706)201-4351

Revisions:

NO.	DESCRIPTION

**JOE PARKER ROAD
EVENT CENTER**
HALL COUNTY, GA.

SYMBOL LEGEND

OFFICE SPACE NAME
 ROOM NUMBER

ROOM NAME
& NUMBER

DRAWING NUMBER
FLOOR PLAN DRAWING TITLE
SCALE: 1/4" = 1'-0" SCALE OF DRAWING
SHEET NUMBER DRAWING TITLE

ELEVATION DWG. #
 SHT. REFERENCE

INTERIOR ELEVATION

SECTION DWG. #
 SHT. REFERENCE

SECTION CUT

DETAIL DWG. #
 DETAIL DWG. No.
 AREA DETAILED OR ENLARGED
 SHT. REFERENCE
SHT. REFERENCE AREA DETAILED OR ENLARGED

DETAIL REFERENCE

PROJECT DATA

DRAWING INDEX

CVR COVER SHEET
A-1.0 FOUNDATION PLAN
A-1.1 FOUNDATION NOTES & DETAILS
A-1.2 MAIN FLOOR PLAN
A-1.3 UPPER FLOOR PLAN & SCHEDULES
A-1.4 ROOF PLAN
A-2.1 ELEVATIONS
A-2.2 ELEVATIONS
A-3.1 SECTIONS & DETAILS

E-1.2 MAIN & UPPER FLOOR POWER PLANS
E-1.3 MAIN & UPPER FLOOR LIGHTING PLANS

M-1.2 MAIN & UPPER FLOOR HVAC PLANS

P-1.2 MAIN & UPPER FLOOR PLUMBING PLANS
P-1.3 PLUMBING DETAILS

LS-1 MAIN & UPPER FLOOR LIFE SAFETY PLANS

Date: 06-16-21

Scale: AS NOTED

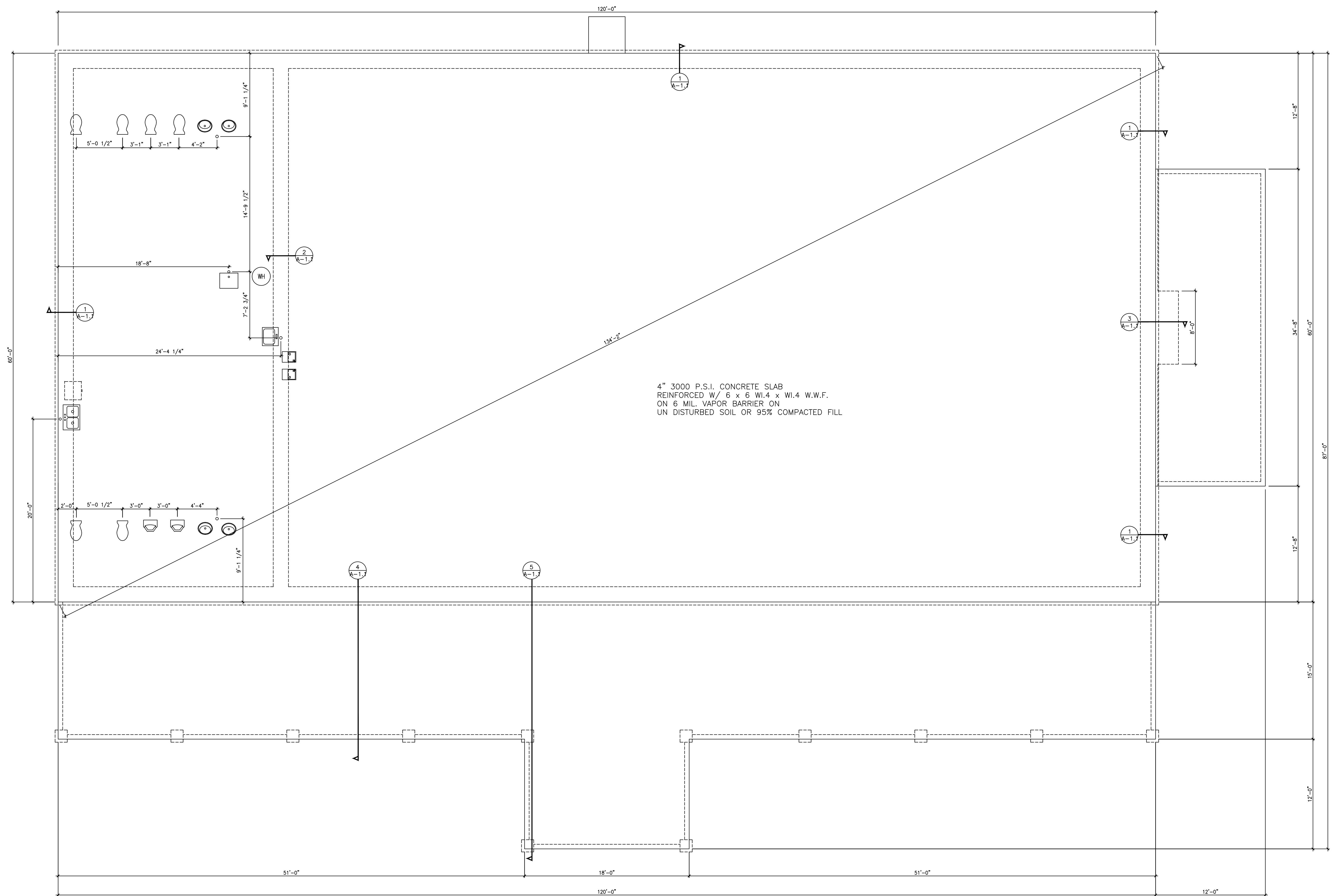
Drawn By: KC-KD

Checked By: XXX

COVER SHEET

Sheet Number:

CVR



FOUNDATION PLAN
 SCALE: 3/16"=1'-0"

CDD - DRD

P.O. BOX 455
 ALTO, GA. 30510
 (706)968-9270 or (706)201-4351

Revisions:

No.	Description

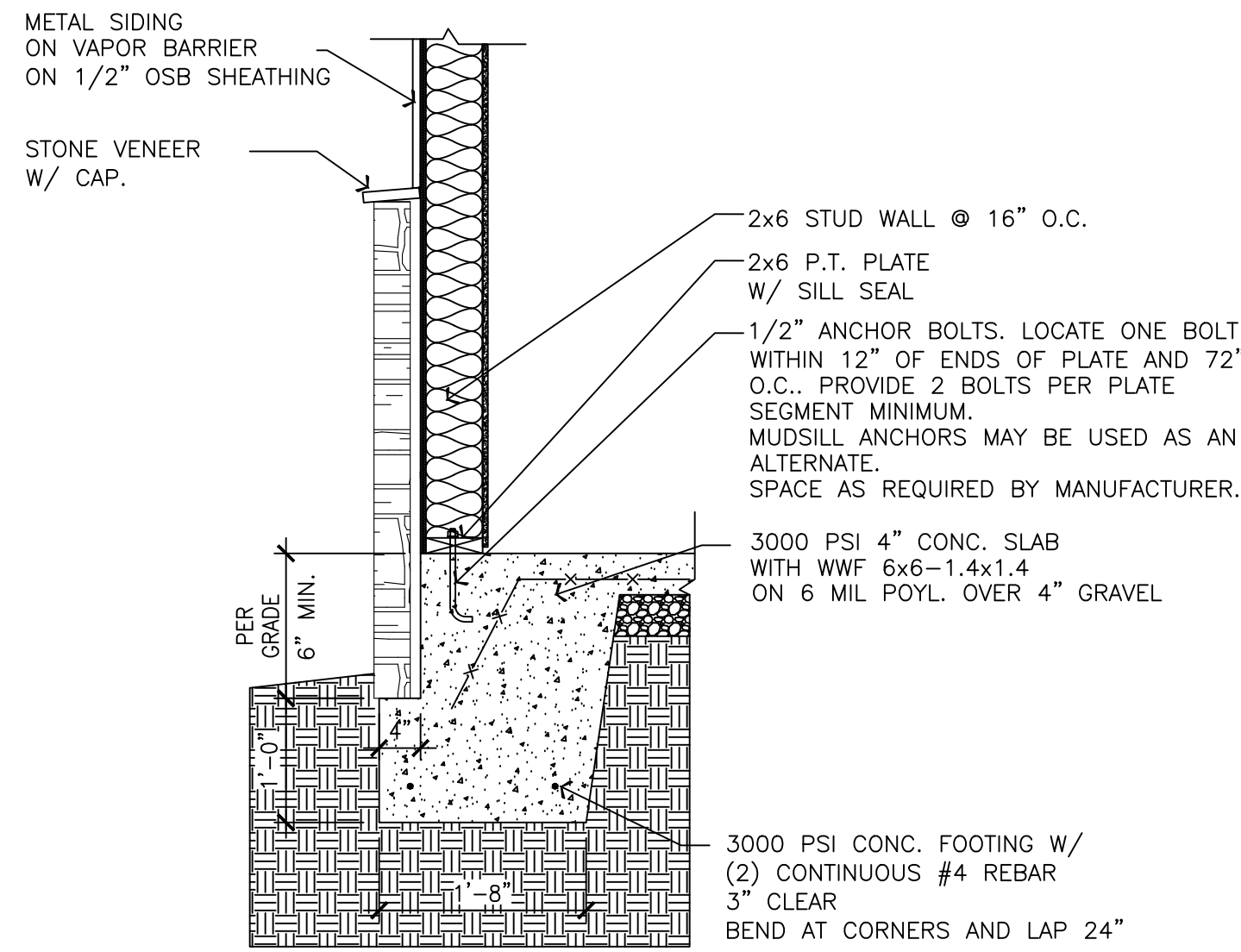
**JOE PARKER ROAD
 EVENT CENTER
 HALL COUNTY, GA.**

Date: **06-16-21**
 Scale: **AS NOTED**
 Drawn By: **KC-KD**
 Checked By:

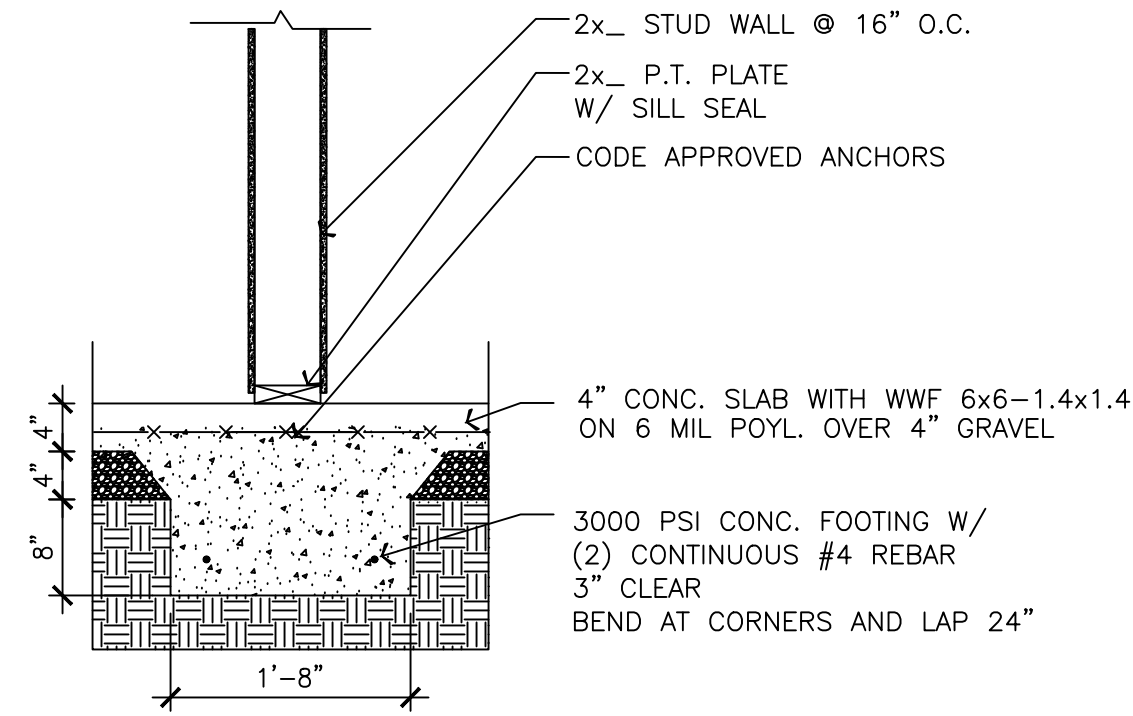
FOUNDATION PLAN

Sheet Number:

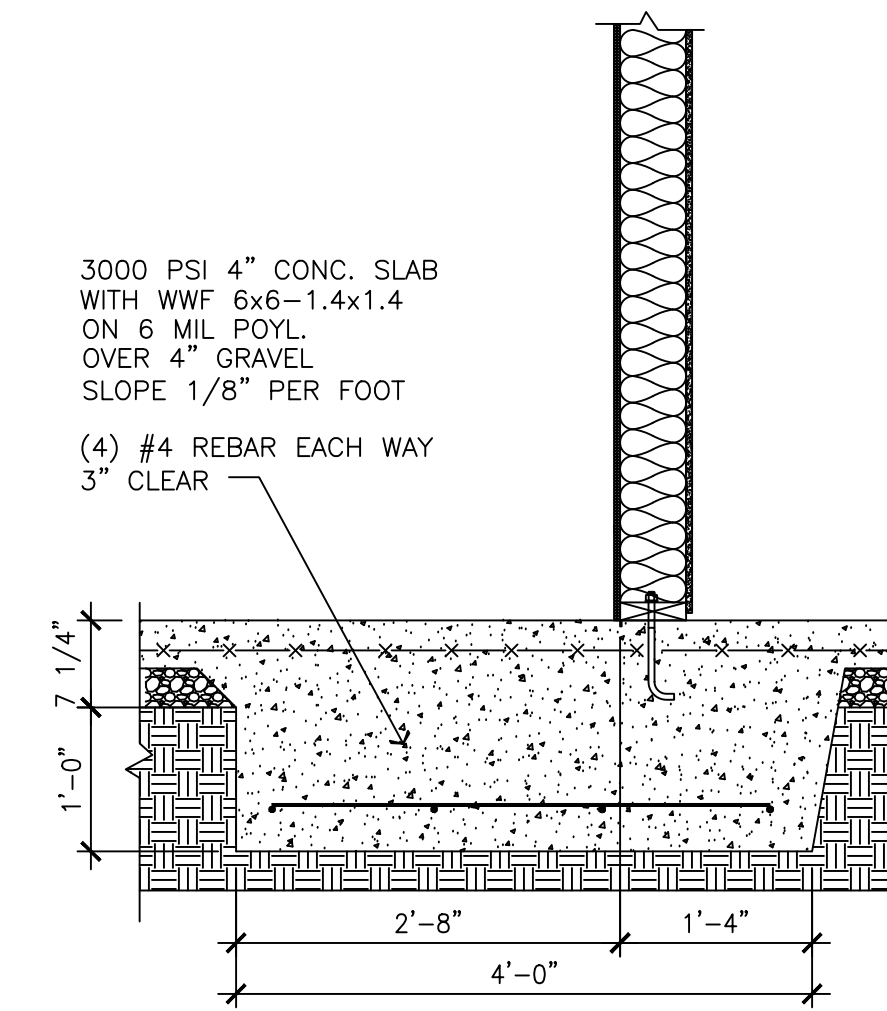
A-1.0



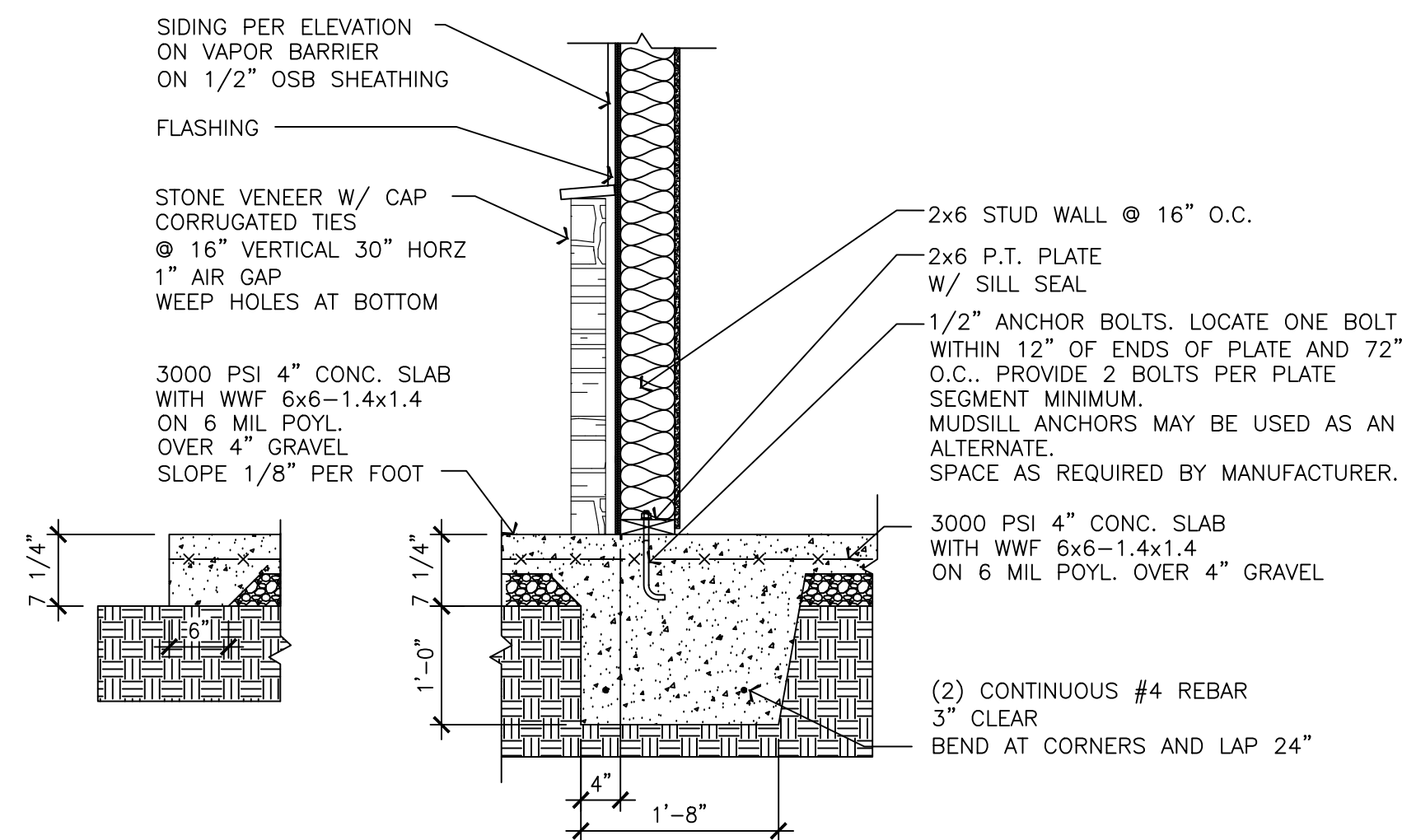
1 FOUNDATION DETAIL
A-1.1 N.T.S.



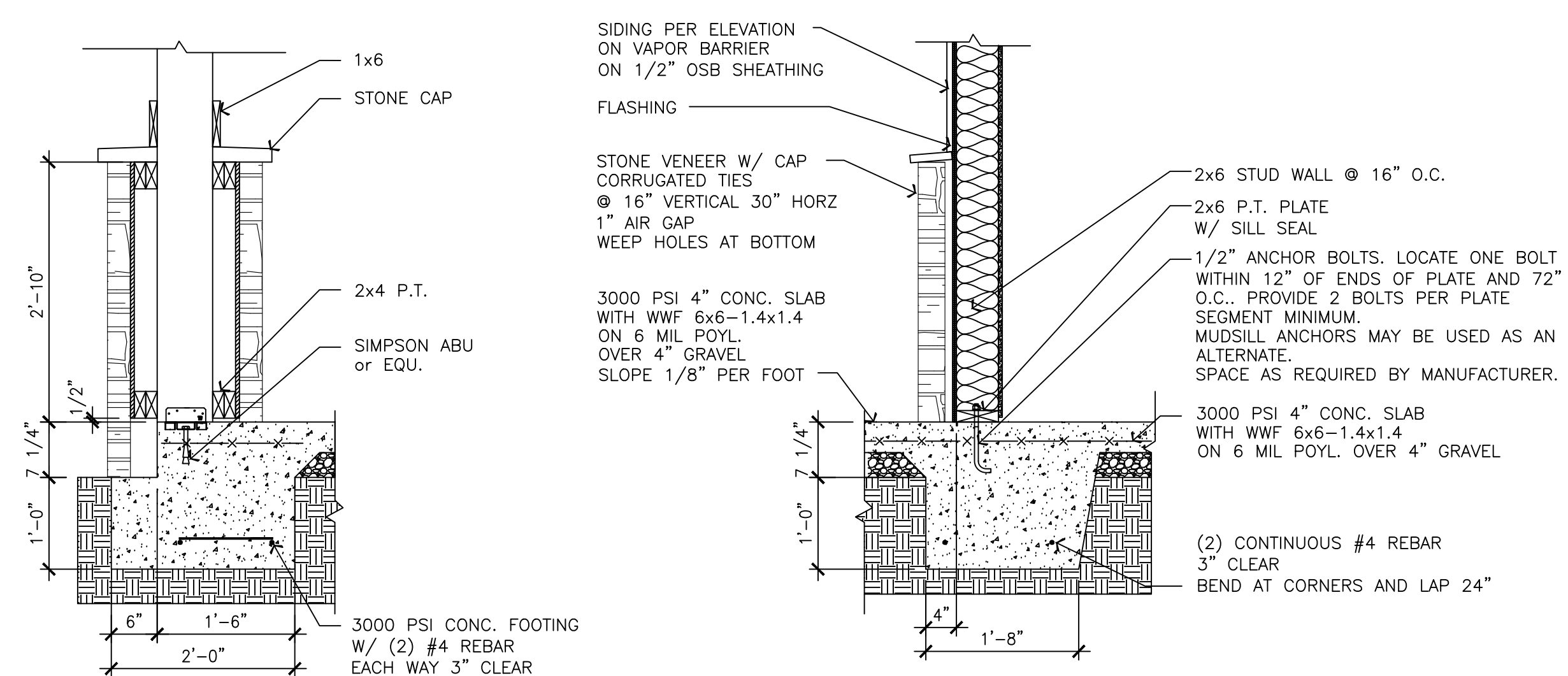
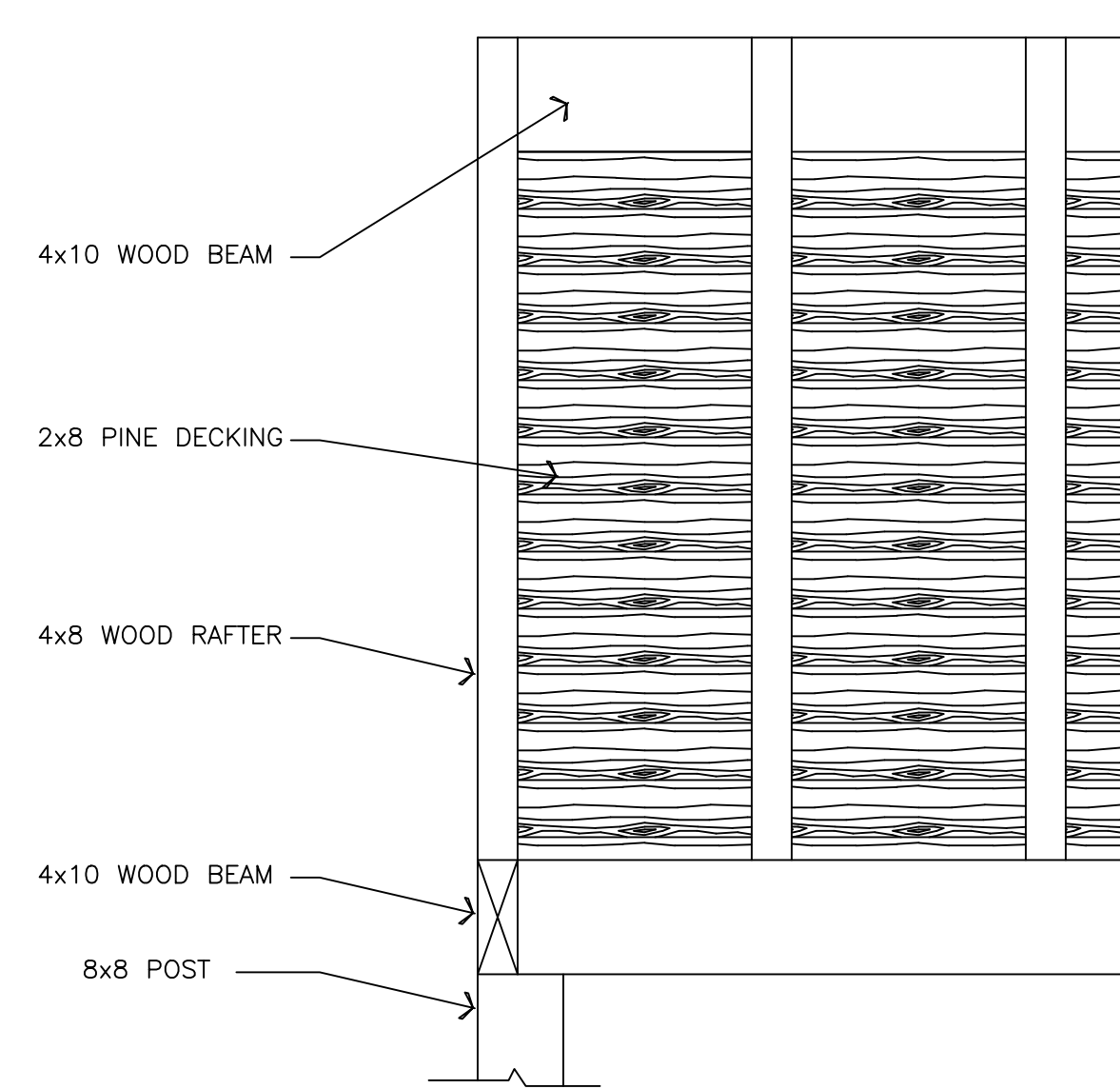
2 FOUNDATION DETAIL
A-1.1 N.T.S.



3 FOUNDATION DETAIL
A-1.1 N.T.S.



4 FOUNDATION DETAIL
A-1.1 N.T.S.



5 FOUNDATION DETAIL
A-1.1 N.T.S.

CDD - DRD

P.O. BOX 455
ALTO, GA. 30510
(706)968-9270 or (706)201-4351

Revisions:

NO.	DESCRIPTION

JOE PARKER ROAD
EVENT CENTER
HALL COUNTY, GA.

Date: 06-16-21

Scale: AS NOTED

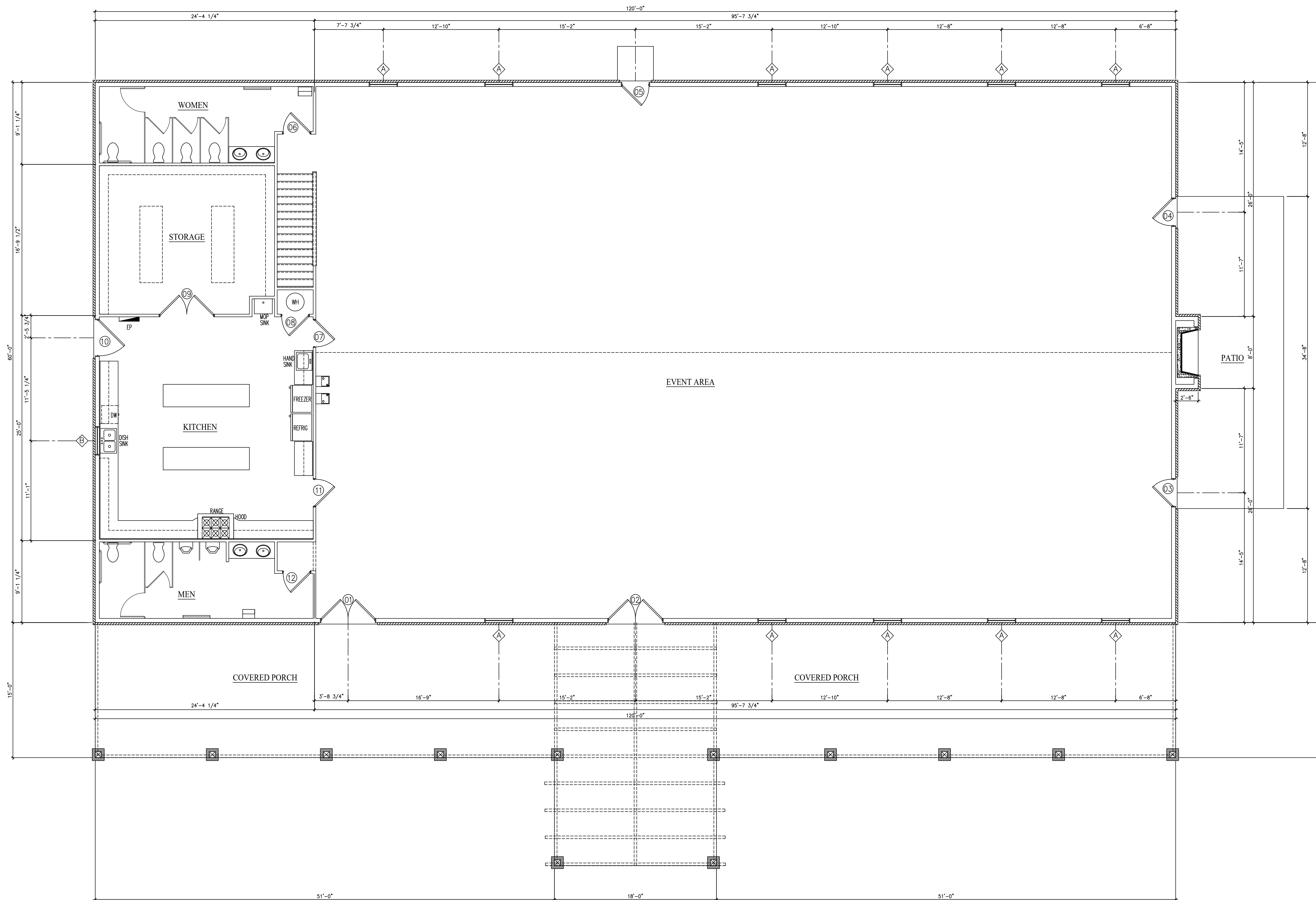
Drawn By: KC-KD

Checked By:

FOUNDATION
NOTES & DETAILS

Sheet Number:

A-1.1



MAIN FLOOR PLAN
SCALE: 3/16"=1'-0"

AREA CALCULATIONS	
MAIN LEVEL	7,200
UPPER LEVEL	432
COVERED PORCH	2,016

CDD - DRD
P.O. BOX 455
ALTO, GA. 30510
(706)968-9270 or (706)201-4351

Revisions:

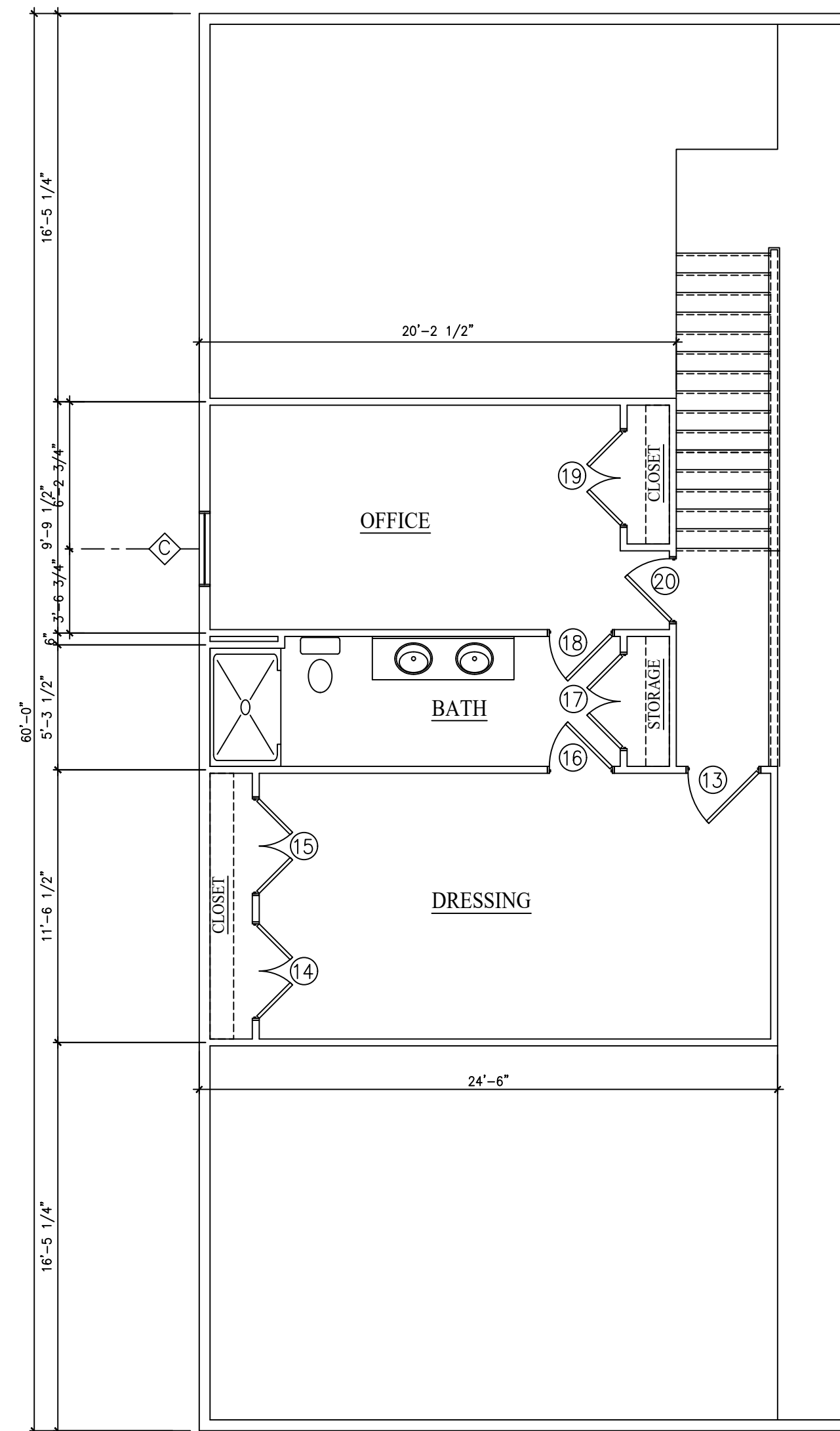
NO.	DESCRIPTION

**JOE PARKER ROAD
EVENT CENTER**
HALL COUNTY, GA.

Date: **06-16-21**
Scale: **AS NOTED**
Drawn By: **KC-KD**
Checked By:

MAIN FLOOR PLAN
Sheet Number:

A-1.2



WINDOW SCHEDULE				
MARK	SIZE		TYPE	NOTES
	WIDTH	HEIGHT		
⊠A	3'-0"	5'-0"	FIXED	
⊠B	3'-0"	3'-0"	FIXED	
⊠C	3'-0"	5'-0"	FIXED	

DOOR AND FRAME SCHEDULE									
MARK	DOOR					FRAME			
	SIZE			MATERIAL	TYPE	MATERIAL	TYPE	SILL	NOTES
	WD	HGT	THK						
⊙1	Pr-3'-0"	6'-8"	1 3/4"	WOOD		WOOD	PRE-HUNG UNIT	YES	
⊙2	Pr-3'-0"	6'-8"	1 3/4"	WOOD		WOOD	PRE-HUNG UNIT	YES	
⊙3	3'-0"	6'-8"	1 3/4"	WOOD		WOOD	PRE-HUNG UNIT	YES	
⊙4	3'-0"	6'-8"	1 3/4"	WOOD		WOOD	PRE-HUNG UNIT	YES	
⊙5	3'-0"	6'-8"	1 3/4"	WOOD		WOOD	PRE-HUNG UNIT	YES	
⊙6	3'-0"	6'-8"	1 3/4"	WOOD		WOOD	PRE-HUNG UNIT	YES	
⊙7	3'-0"	6'-8"	1 3/4"	WOOD		WOOD	PRE-HUNG UNIT	YES	
⊙8	3'-0"	6'-8"	1 3/4"	WOOD		WOOD	PRE-HUNG UNIT	YES	
⊙9	Pr-3'-0"	6'-8"	1 3/4"	WOOD		WOOD	PRE-HUNG UNIT	YES	
⊙10	3'-0"	6'-8"	1 3/4"	WOOD		WOOD	PRE-HUNG UNIT	YES	
⊙11	3'-0"	6'-8"	1 3/4"	WOOD		WOOD	PRE-HUNG UNIT	YES	
⊙12	3'-0"	6'-8"	1 3/4"	WOOD		WOOD	PRE-HUNG UNIT	YES	
⊙13	3'-0"	6'-8"	1 3/4"	WOOD		WOOD	PRE-HUNG UNIT	YES	
⊙14	Pr-2'-0"	6'-8"	1 3/4"	WOOD		WOOD	PRE-HUNG UNIT	YES	
⊙15	Pr-2'-0"	6'-8"	1 3/4"	WOOD		WOOD	PRE-HUNG UNIT	YES	
⊙16	2'-8"	6'-8"	1 3/4"	WOOD		WOOD	PRE-HUNG UNIT	YES	
⊙17	Pr-2'-0"	6'-8"	1 3/4"	WOOD		WOOD	PRE-HUNG UNIT	YES	
⊙18	2'-8"	6'-8"	1 3/4"	WOOD		WOOD	PRE-HUNG UNIT	YES	
⊙19	Pr-2'-0"	6'-8"	1 3/4"	WOOD		WOOD	PRE-HUNG UNIT	YES	
⊙20	2'-8"	6'-8"	1 3/4"	WOOD		WOOD	PRE-HUNG UNIT	YES	

CDD - DRD

P.O. BOX 455
ALTO, GA. 30510
(706)968-9270 or (706)201-4351

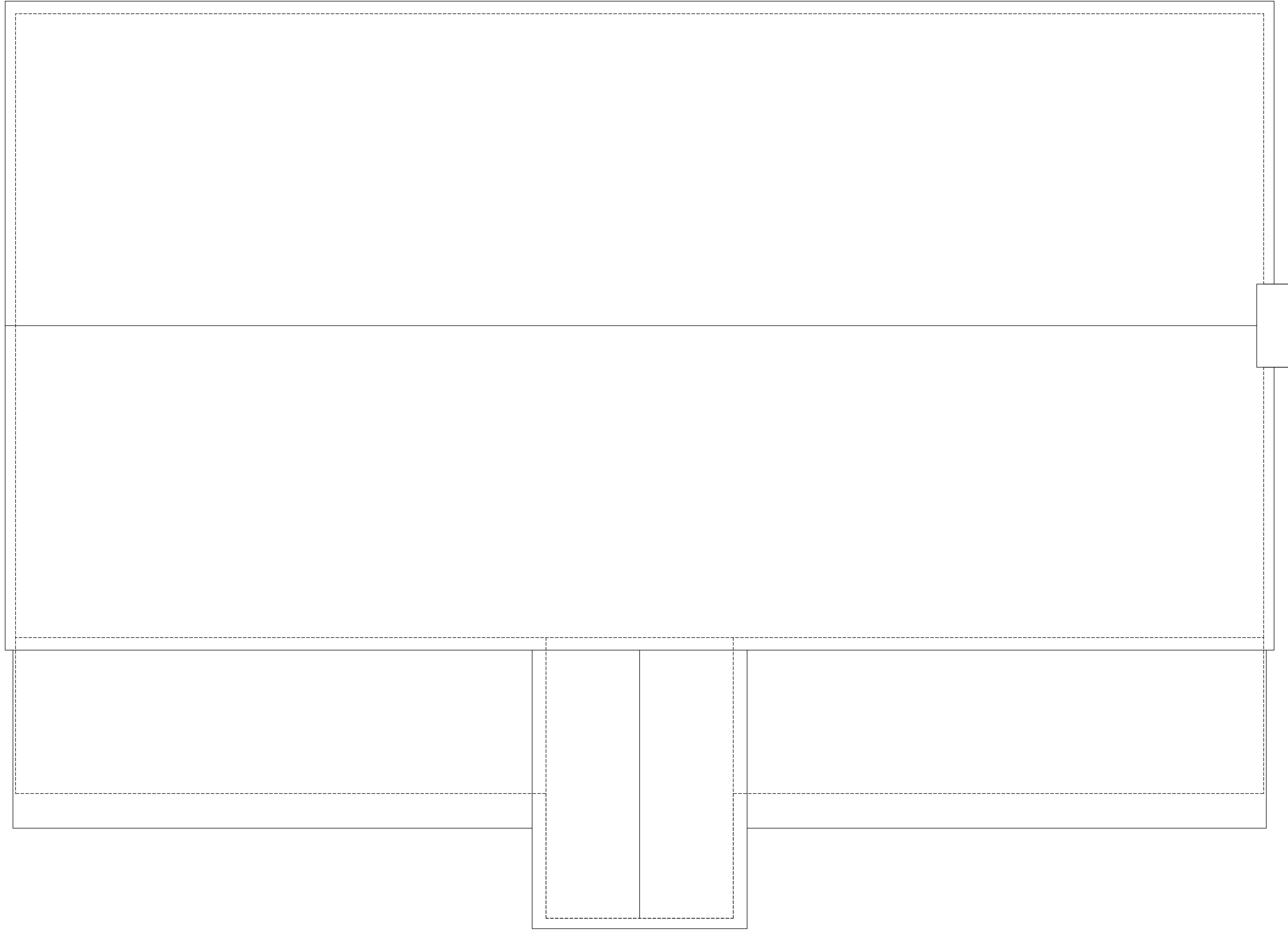
Revisions:	

**JOE PARKER ROAD
EVENT CENTER
HALL COUNTY, GA.**

Date: **06-16-21**
Scale: **AS NOTED**
Drawn By: **KC-KD**
Checked By:

MAIN FLOOR PLAN
Sheet Number:

A-1.3



ROOF PLAN
SCALE: 3/16"=1'-0"



CDD - DRD
 P.O. BOX 455
 ALTO, GA. 30510
 (706)968-9270 or (706)201-4351

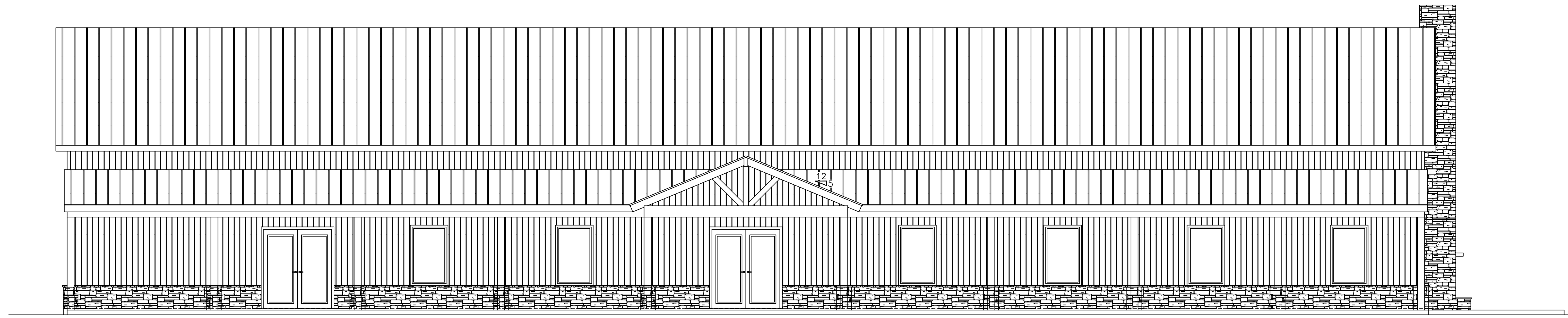
Revisions:

**JOE PARKER ROAD
 EVENT CENTER**
 HALL COUNTY, GA.

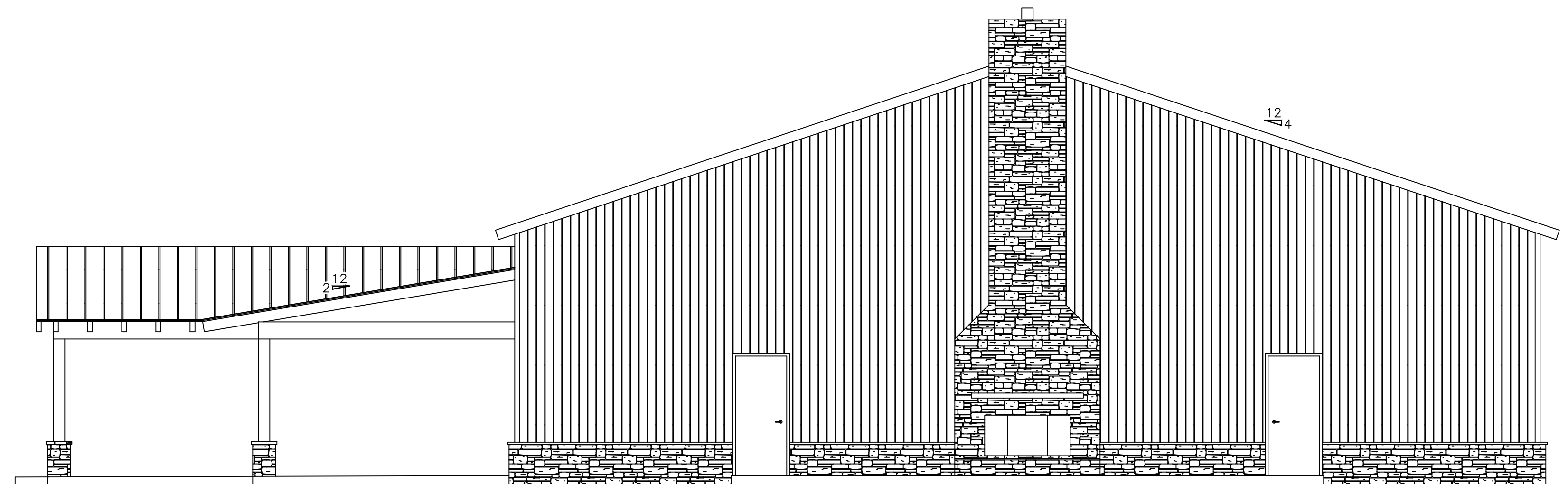
Date: **06-16-21**
 Scale: **AS NOTED**
 Drawn By: **KC-KD**
 Checked By:

ROOF PLAN

Sheet Number:
A-1.4



FRONT ELEVATION
SCALE: 3/16"=1'-0"



RIGHT SIDE ELEVATION
SCALE: 3/16"=1'-0"

CDD - DRD

P.O. BOX 455
ALTO, GA. 30510
(706)968-9270 or (706)201-4351

Revisions:

**JOE PARKER ROAD
EVENT CENTER**
HALL COUNTY, GA.

Date: 06-16-21

Scale: AS NOTED

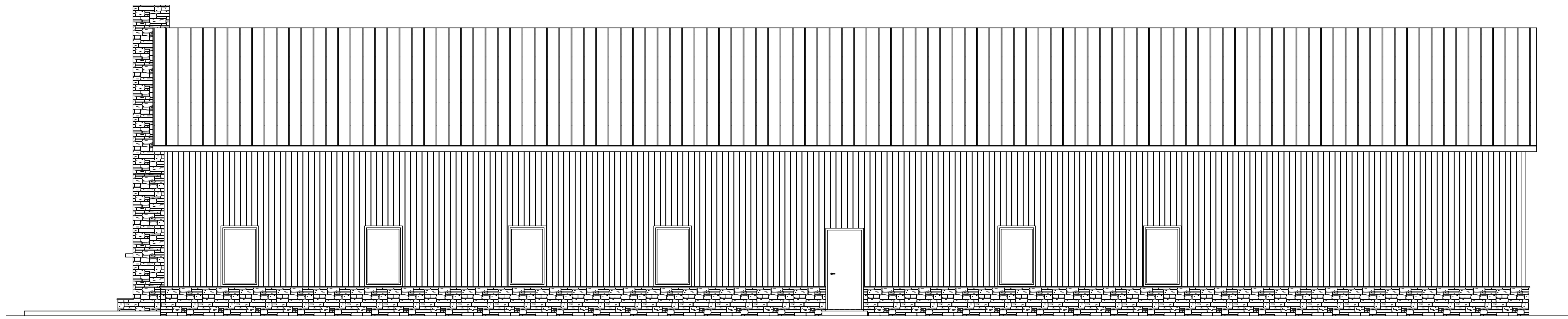
Drawn By: KC-KD

Checked By:

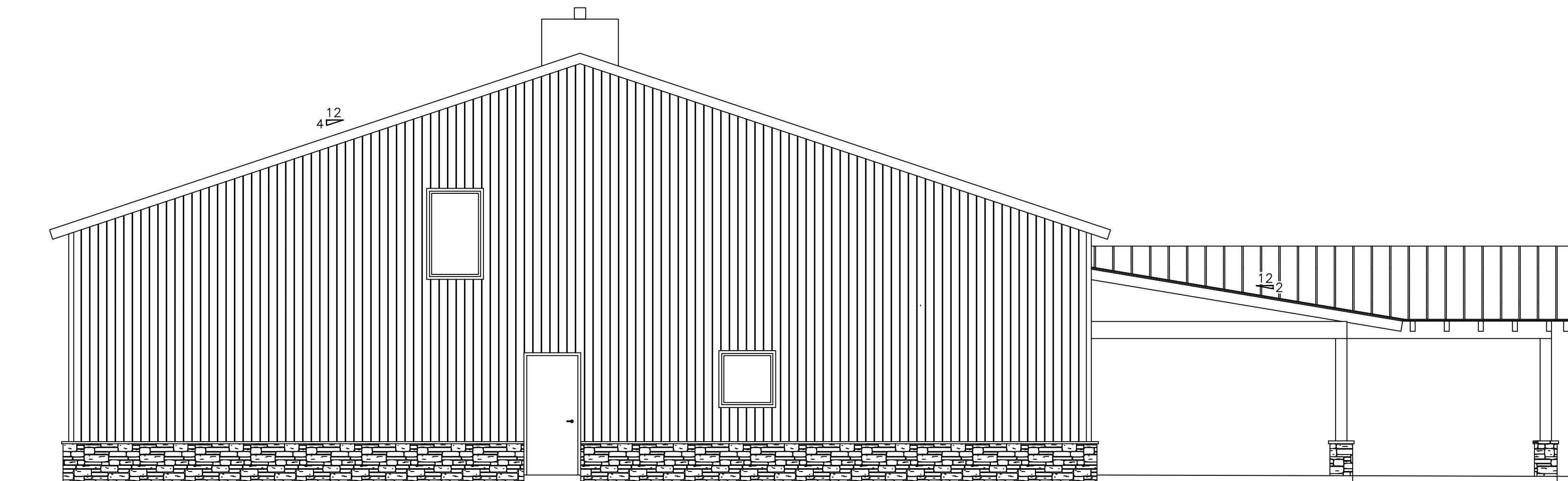
ELEVATIONS

Sheet Number:

A-2.1



REAR ELEVATION
SCALE: 3/16"=1'-0"



LEFT SIDE ELEVATION
SCALE: 3/16"=1'-0"

CDD - DRD

P.O. BOX 455
ALTO, GA. 30510
(706)968-9270 or (706)201-4351

Revisions:

NO.	DESCRIPTION

**JOE PARKER ROAD
EVENT CENTER**
HALL COUNTY, GA.

Date: 06-16-21

Scale: AS NOTED

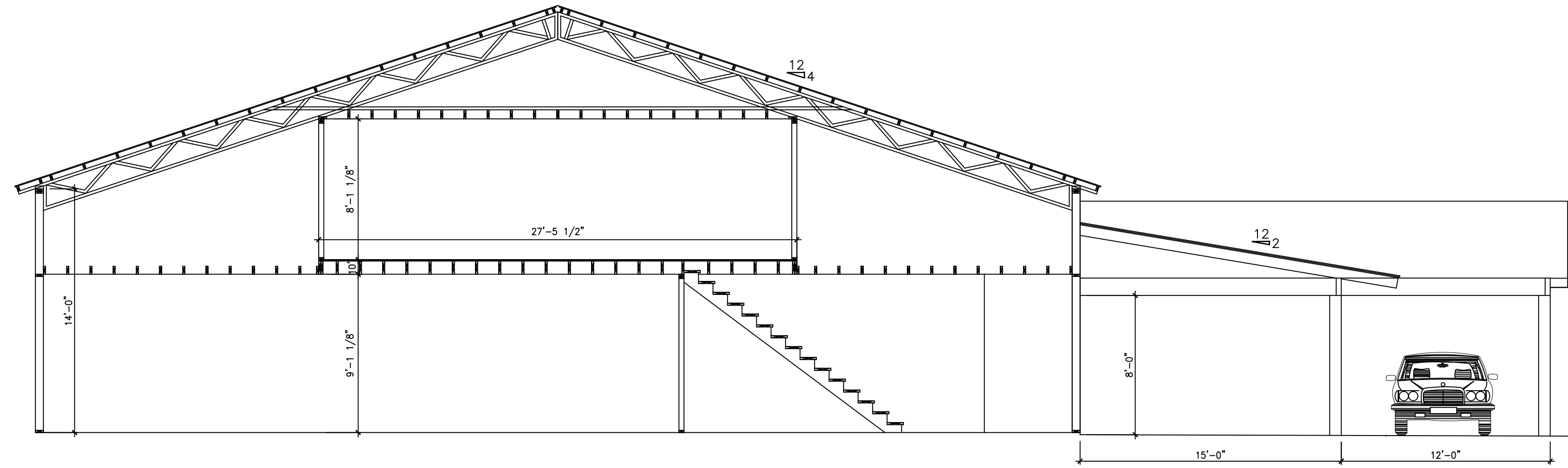
Drawn By: KC-KD

Checked By:

ELEVATIONS

Sheet Number:

A-2.2



BUILDING SECTION
SCALE: 3/16"=1'-0"

CDD - DRD

P.O. BOX 455
ALTO, GA. 30510
(706)968-9270 or (706)201-4351

Revisions:

NO.	DESCRIPTION

**JOE PARKER ROAD
EVENT CENTER**
HALL COUNTY, GA.

Date: 06-16-21

Scale: AS NOTED

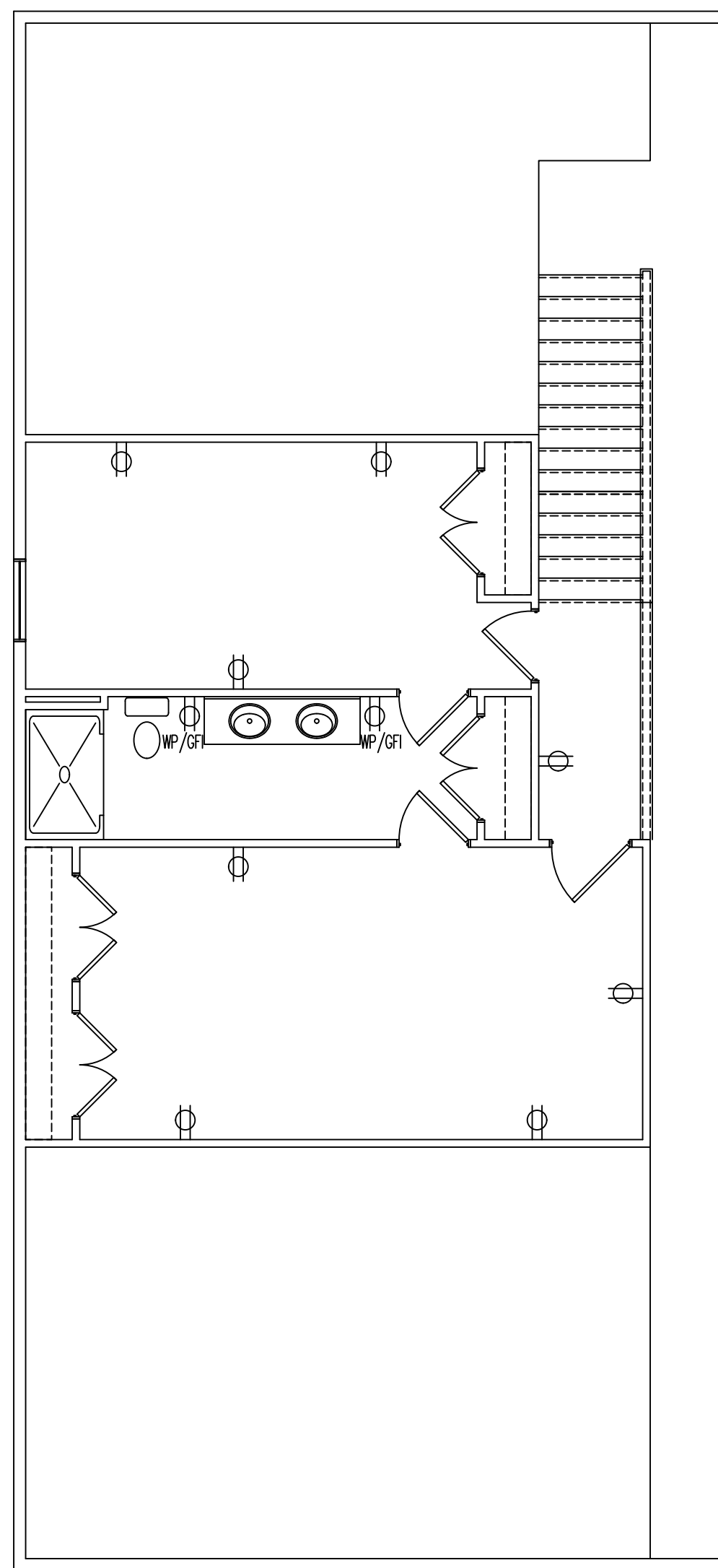
Drawn By: KC-KD

Checked By:

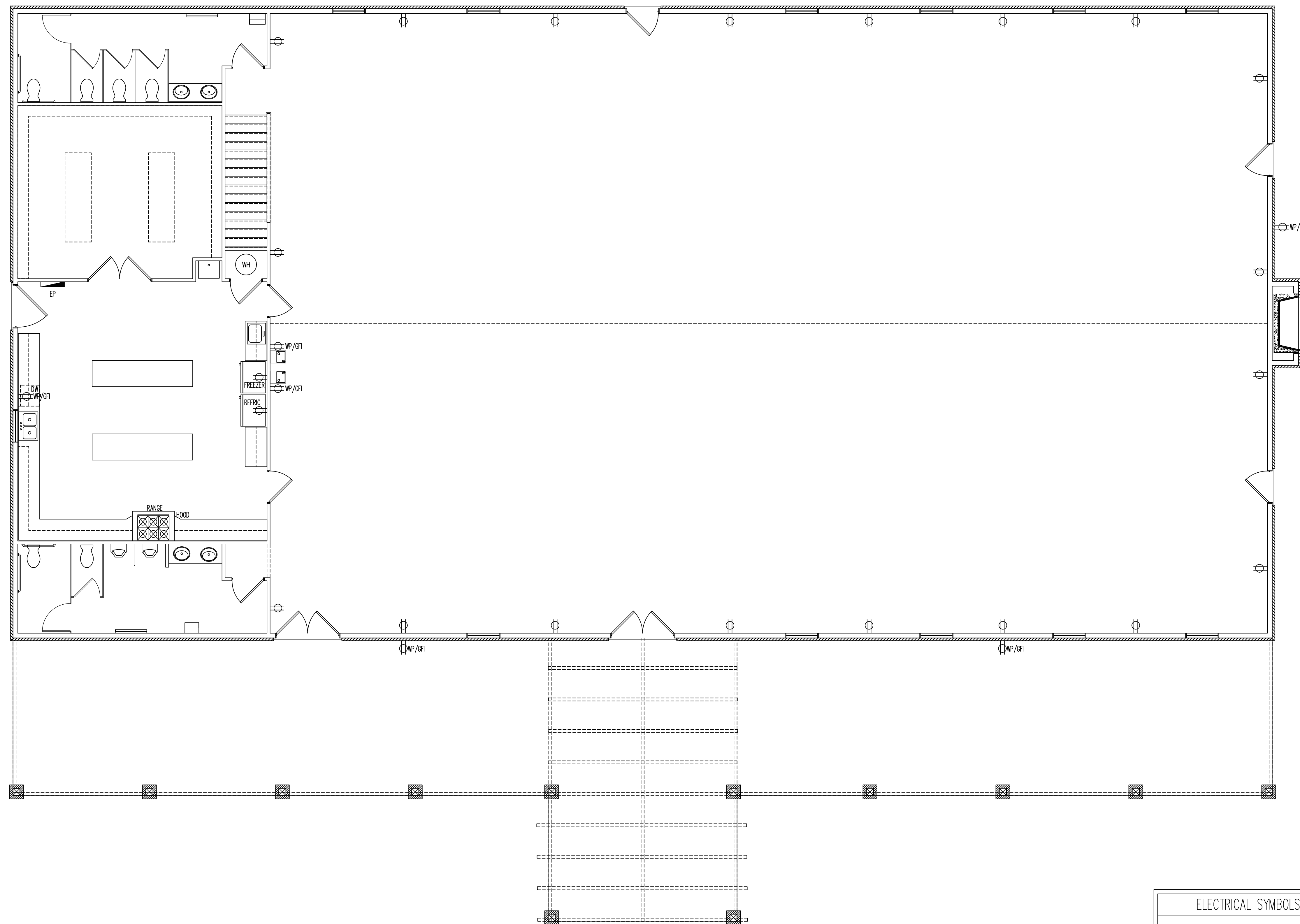
**SECTION
& DETAILS**

Sheet Number:

A-3.1



UPPER FLOOR POWER PLAN
SCALE: 3/16"=1'-0"



MAIN FLOOR POWER PLAN
SCALE: 3/16"=1'-0"

ELECTRICAL SYMBOLS	
	CONVENIENCE OUTLET - SET 12" AFF U.N.O.
	CONVENIENCE OUTLET - 42" AFF
	CONV. OUTLET - 1/2 SWITCHED 12" A.F.F.
	CONV. OUTLET - WATER PROOF - GF1
	GARAGE DOOR OPENER
	DISHWASHER OUTLET
	ELECTRIC PANEL

CDD - DRD

P.O. BOX 455
ALTO, GA. 30510
(706)968-9270 or (706)201-4351

Revisions:

No.	Description

**JOE PARKER ROAD
EVENT CENTER**
HALL COUNTY, GA.

Date: **06-16-21**

Scale: **AS NOTED**

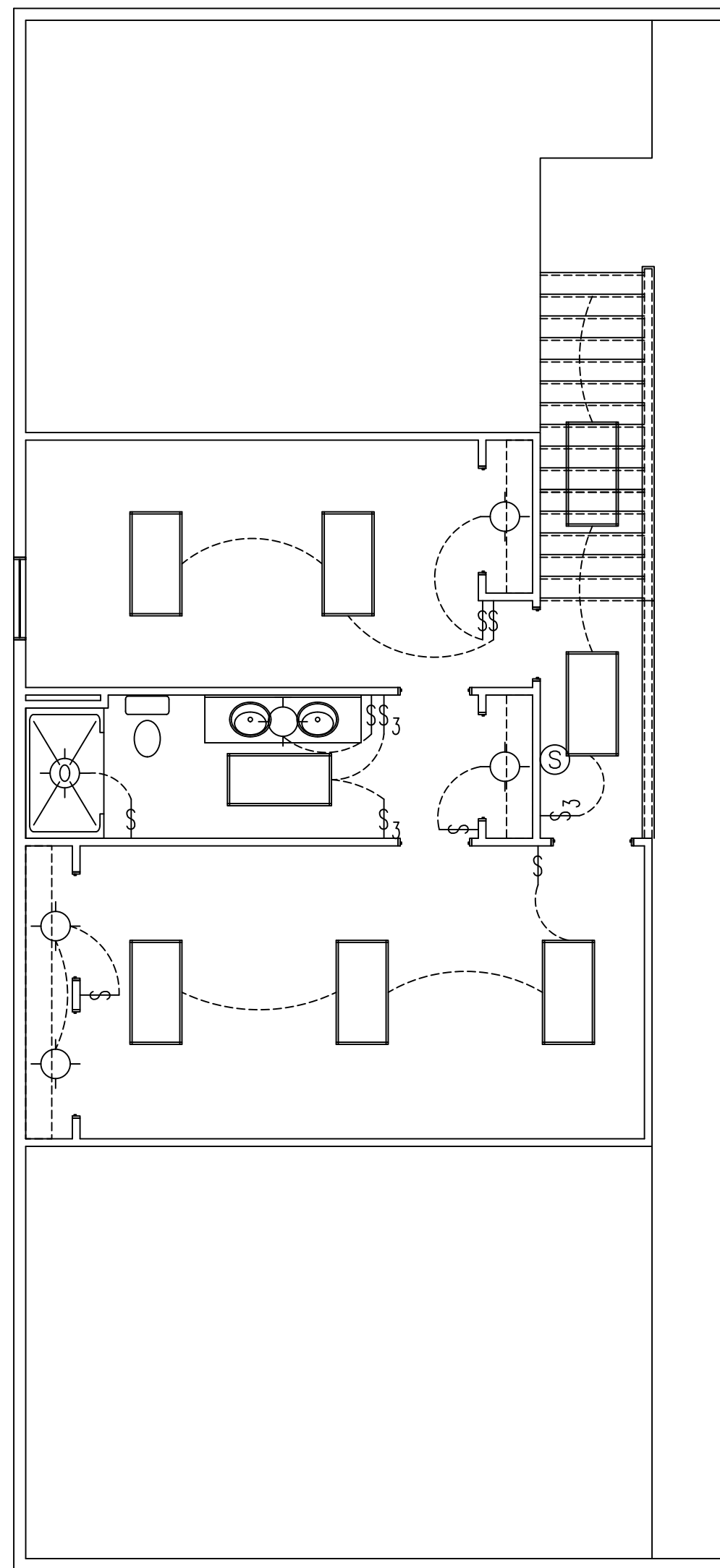
Drawn By: **KC-KD**

Checked By:

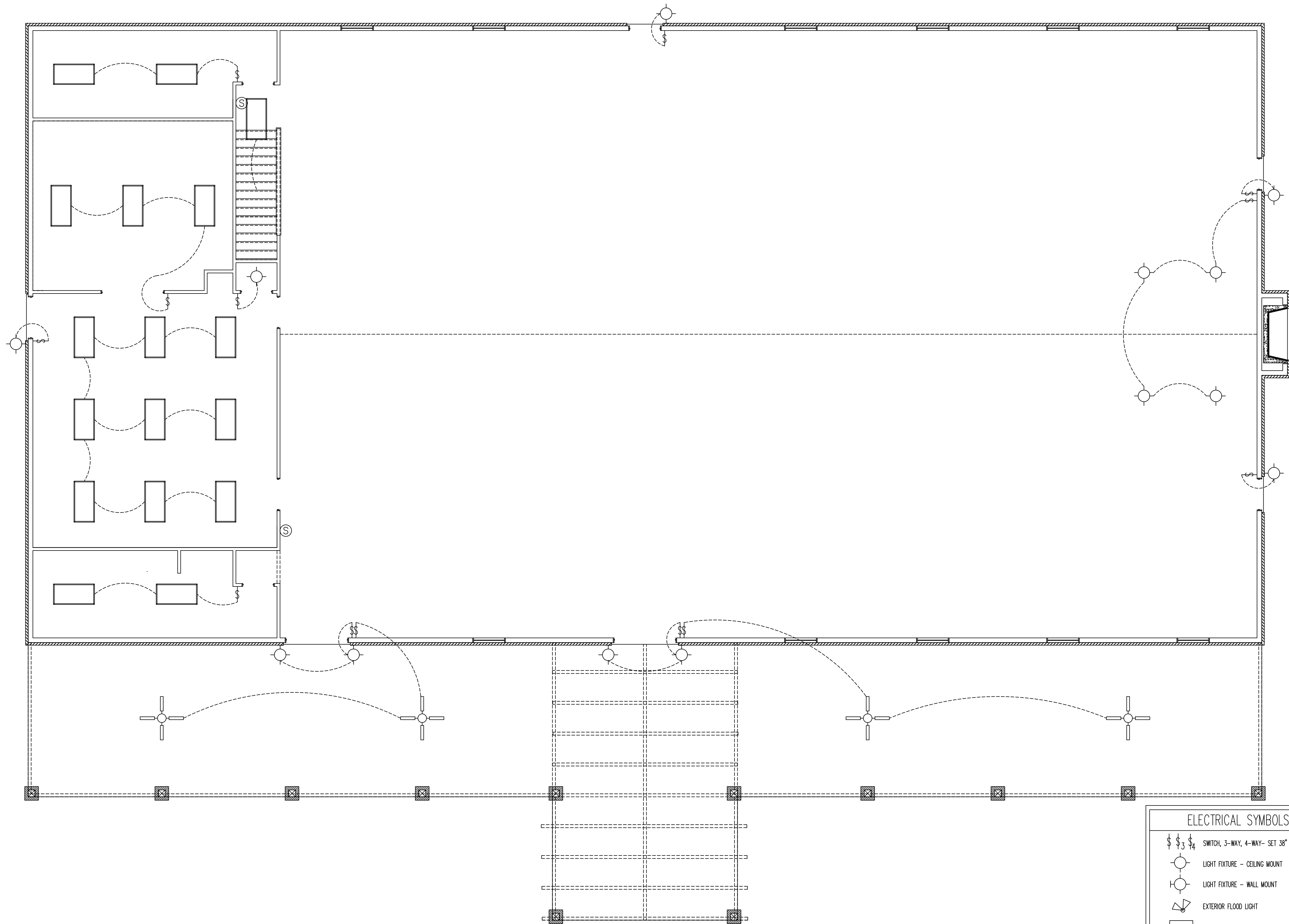
**MAIN & UPPER
POWER PLANS**

Sheet Number:

E-1.2



UPPER FLOOR LIGHTING PLAN
SCALE: 3/16"=1'-0"



MAIN FLOOR LIGHTING PLAN
SCALE: 3/16"=1'-0"

ELECTRICAL SYMBOLS	
	SWITCH, 3-WAY, 4-WAY - SET 36" AFF U.L.O.
	LIGHT FIXTURE - CEILING MOUNT
	LIGHT FIXTURE - WALL MOUNT
	EXTERIOR FLOOD LIGHT
	FLOURESCENT LIGHT FIXTURE
	SMOKE DETECTOR
	EXHAUST FAN
	VENT TO EXT
	EXHAUST FAN / LIGHT COMBO
	FAN / LITE COMBO
	VENT TO EXT
	CLING FAN

CDD - DRD
P.O. BOX 455
ALTO, GA. 30510
(706)968-9270 or (706)201-4351

Revisions:

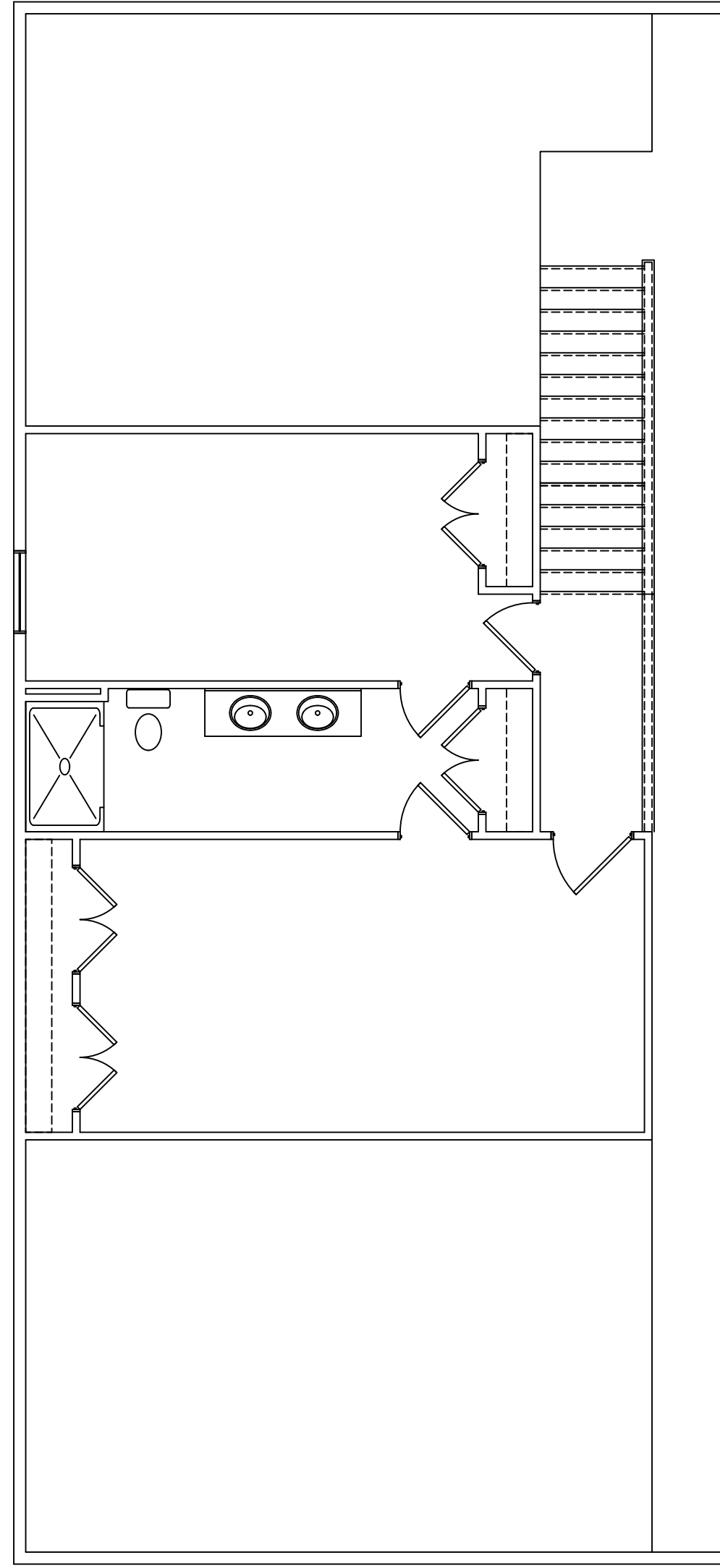
No.	Description

**JOE PARKER ROAD
EVENT CENTER**
HALL COUNTY, GA.

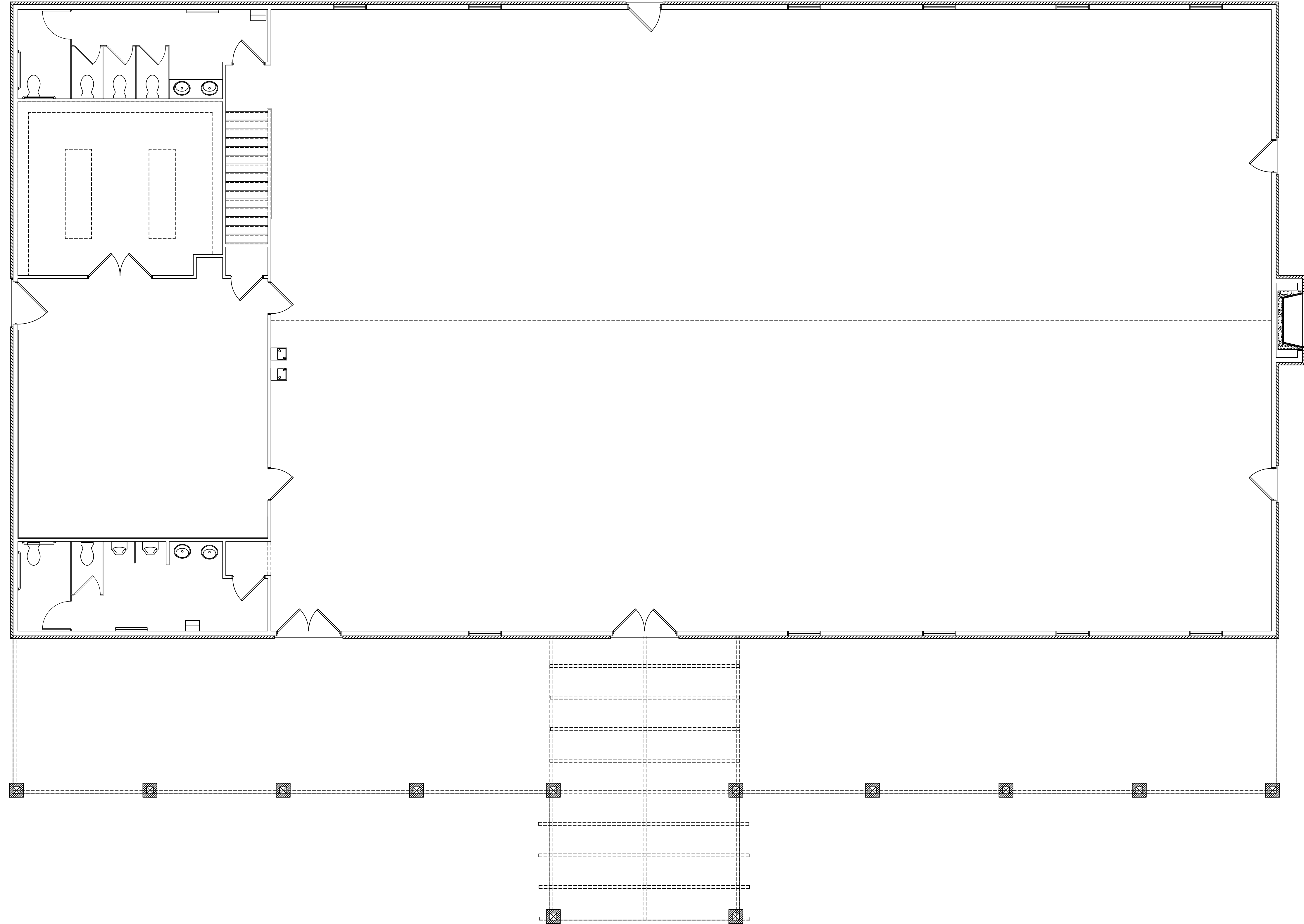
Date: **06-16-21**
Scale: **AS NOTED**
Drawn By: **KC-KD**
Checked By:

**MAIN & UPPER
LIGHTING PLANS**

Sheet Number:
E-1.3



UPPER FLOOR HVAC PLAN
SCALE: 3/16"=1'-0"



MAIN FLOOR HVAC PLAN
SCALE: 3/16"=1'-0"

CDD - DRD

P.O. BOX 455
ALTO, GA. 30510
(706)968-9270 or (706)201-4351

Revisions:

NO.	DESCRIPTION

**JOE PARKER ROAD
EVENT CENTER**
HALL COUNTY, GA.

Date: 06-16-21

Scale: AS NOTED

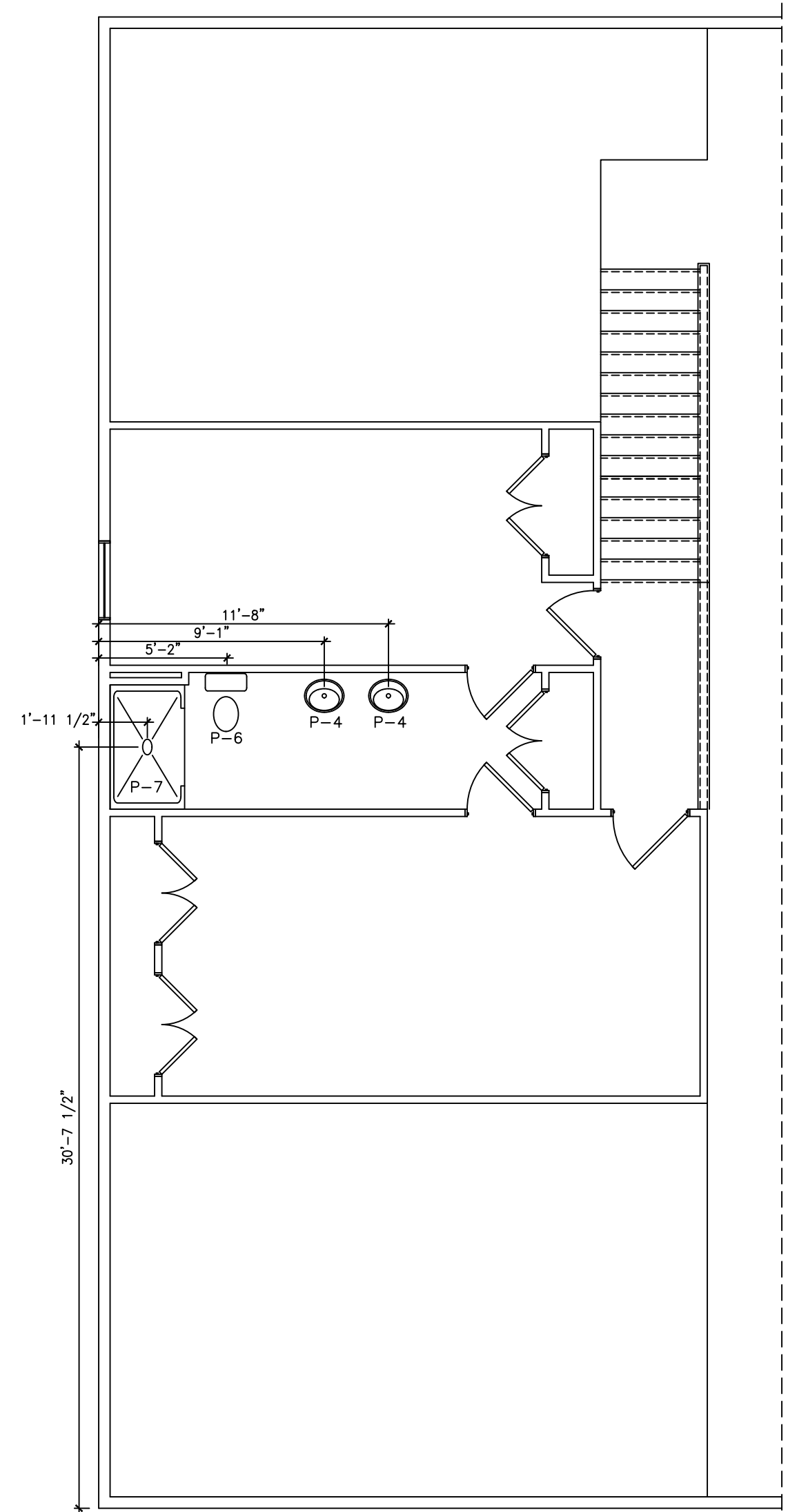
Drawn By: KC-KD

Checked By:

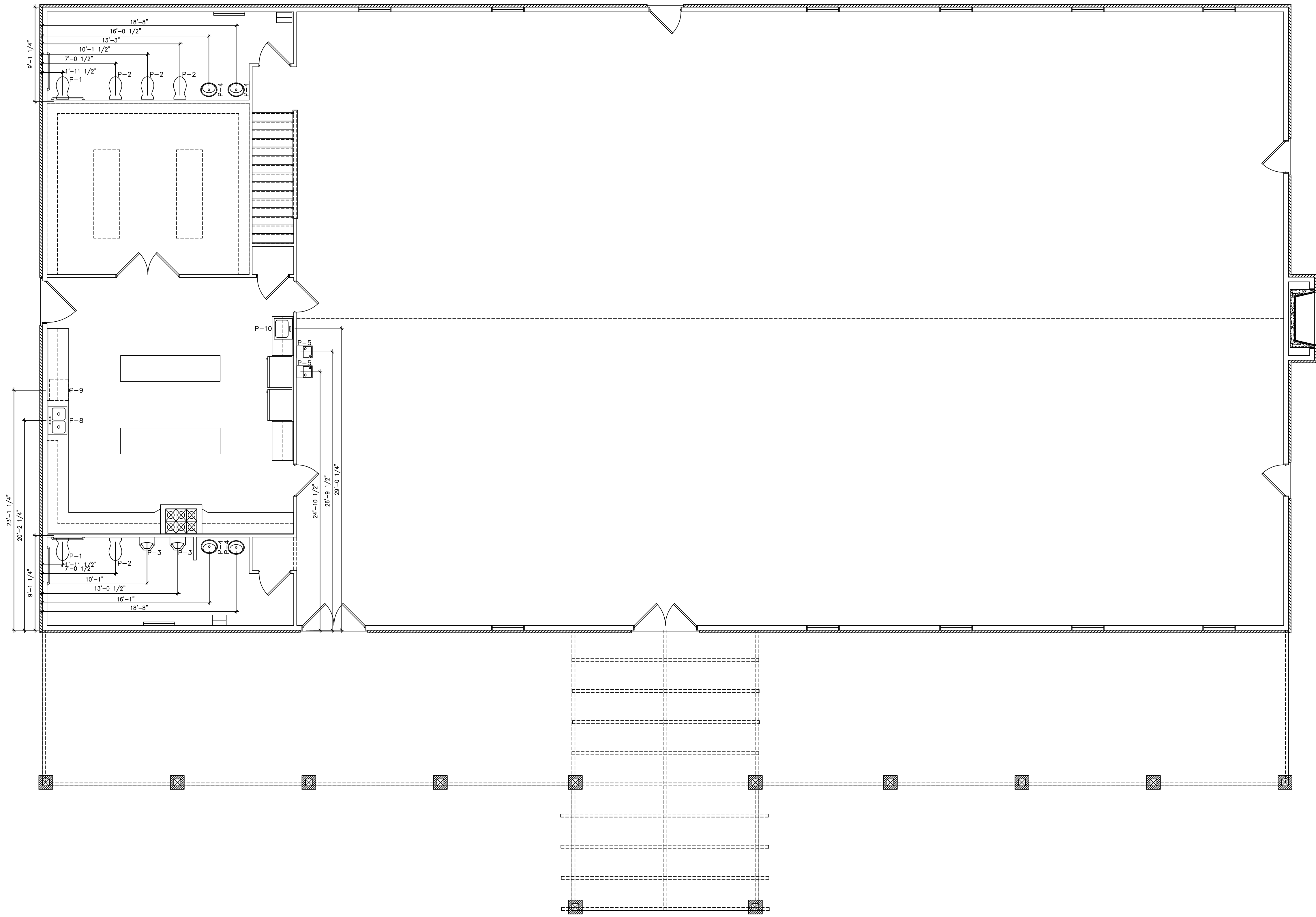
MAIN & UPPER
HVAC PLANS

Sheet Number:

M-1.2



UPPER FLOOR PLUMBING PLAN
SCALE: 3/16"=1'-0"



MAIN FLOOR PLUMBING PLAN
SCALE: 3/16"=1'-0"

CDD - DRD

P.O. BOX 455
ALTO, GA. 30510
(706)968-9270 or (706)201-4351

Revisions:

NO.	DESCRIPTION

**JOE PARKER ROAD
EVENT CENTER
HALL COUNTY, GA.**

Date: 06-16-21

Scale: AS NOTED

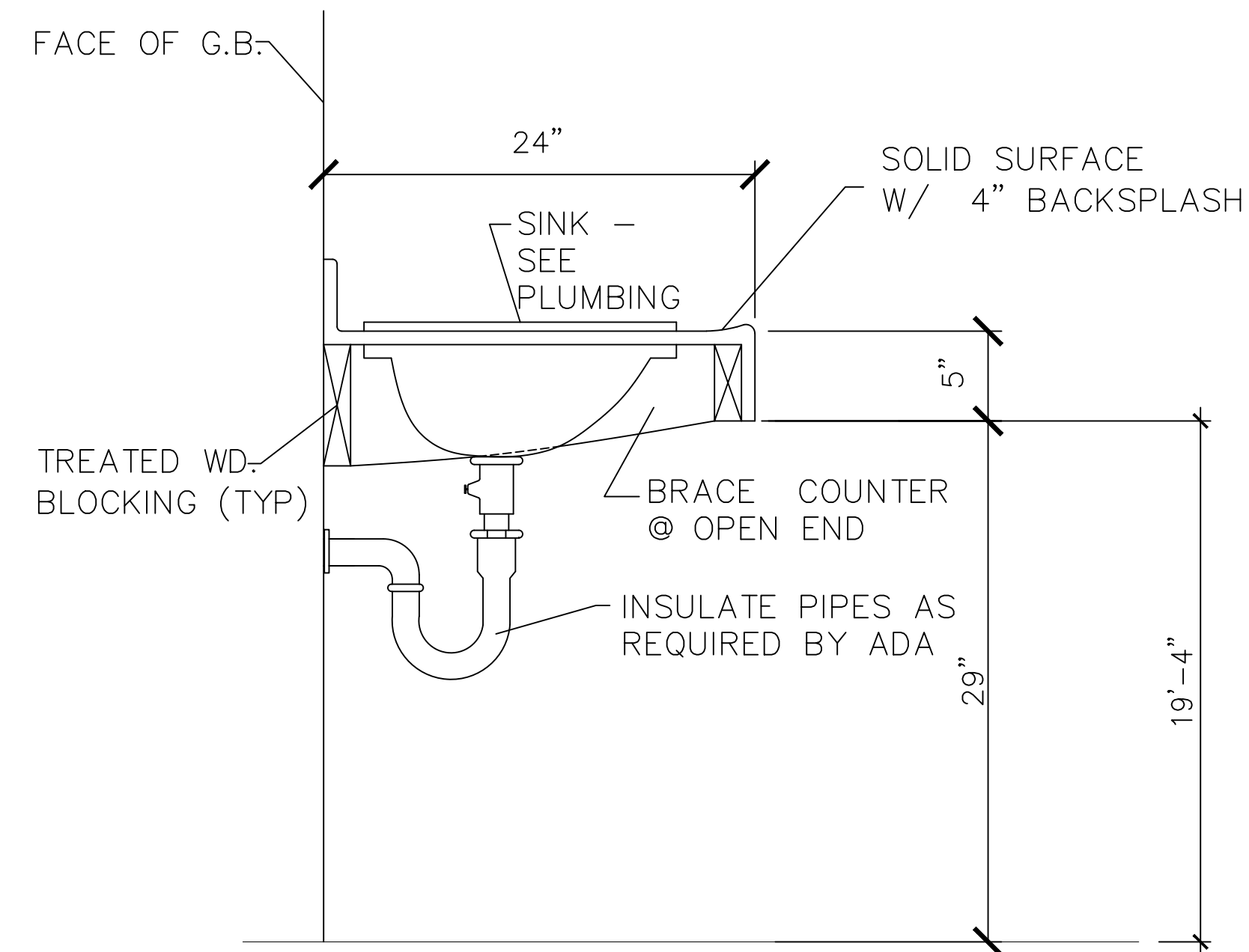
Drawn By: KC-KD

Checked By:

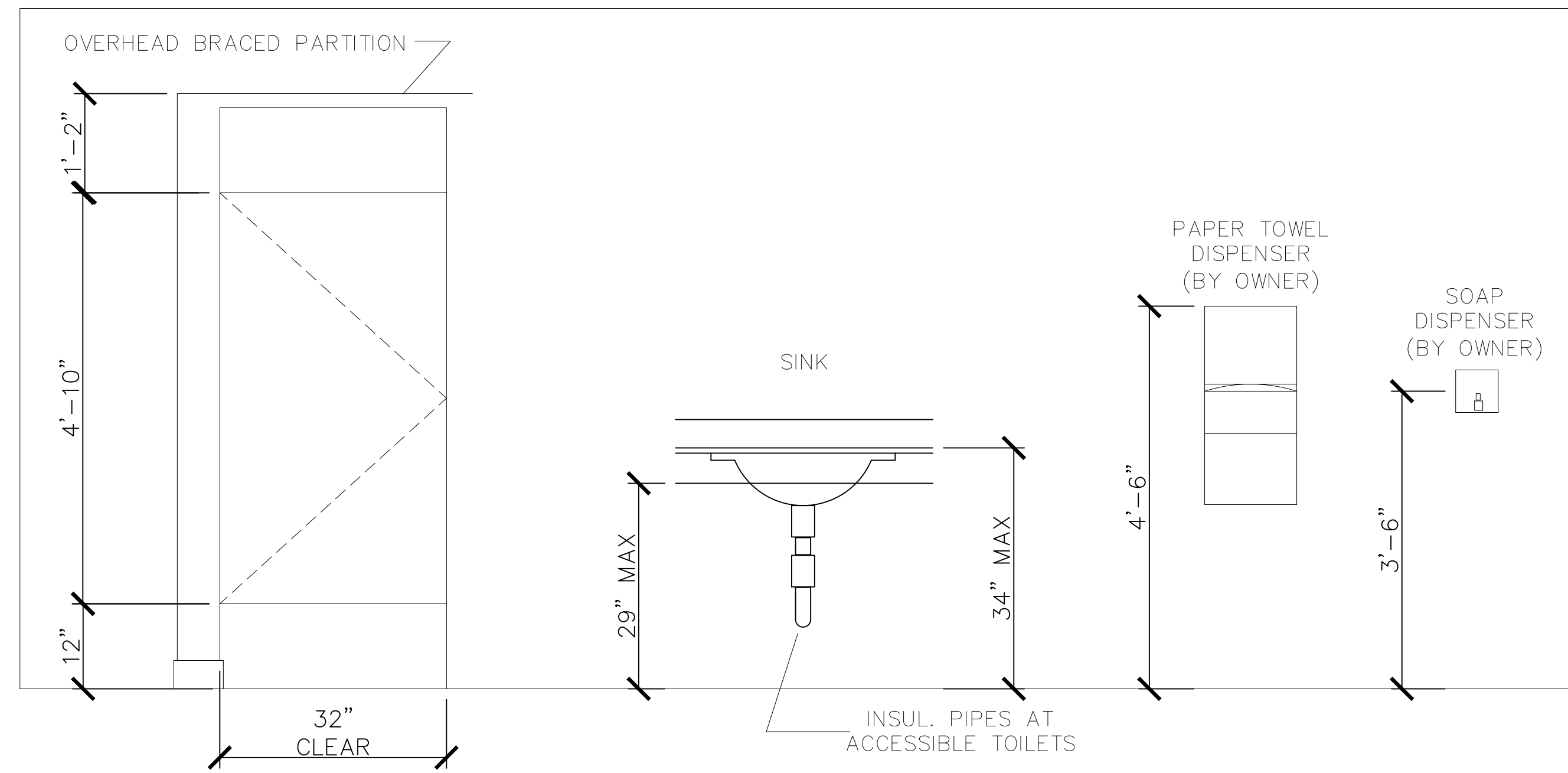
**MAIN & UPPER
PLUMBING PLANS**

Sheet Number:

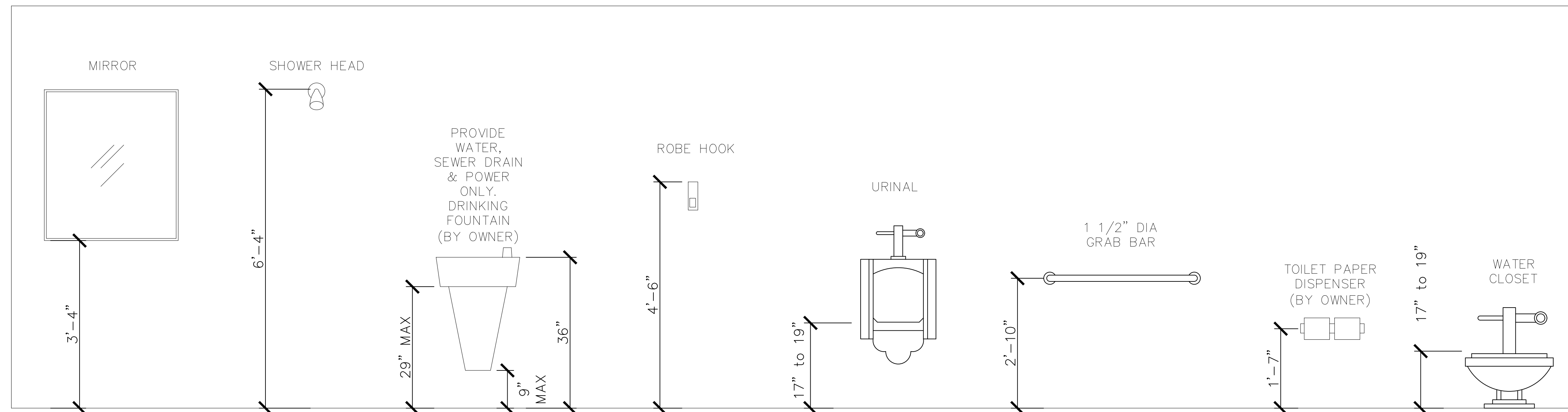
P-1.2



COUNTER DETAIL(ADA)
SCALE: 1 1/2"=1'-0"



ACCESSIBLE MOUNTING FIXTURE SCHEDULE
SCALE: 3/4"=1'-0"



ACCESSIBLE MOUNTING FIXTURE SCHEDULE
SCALE: 3/4"=1'-0"

CDD - DRD
P.O. BOX 455
ALTO, GA. 30510
(706)968-9270 or (706)201-4351

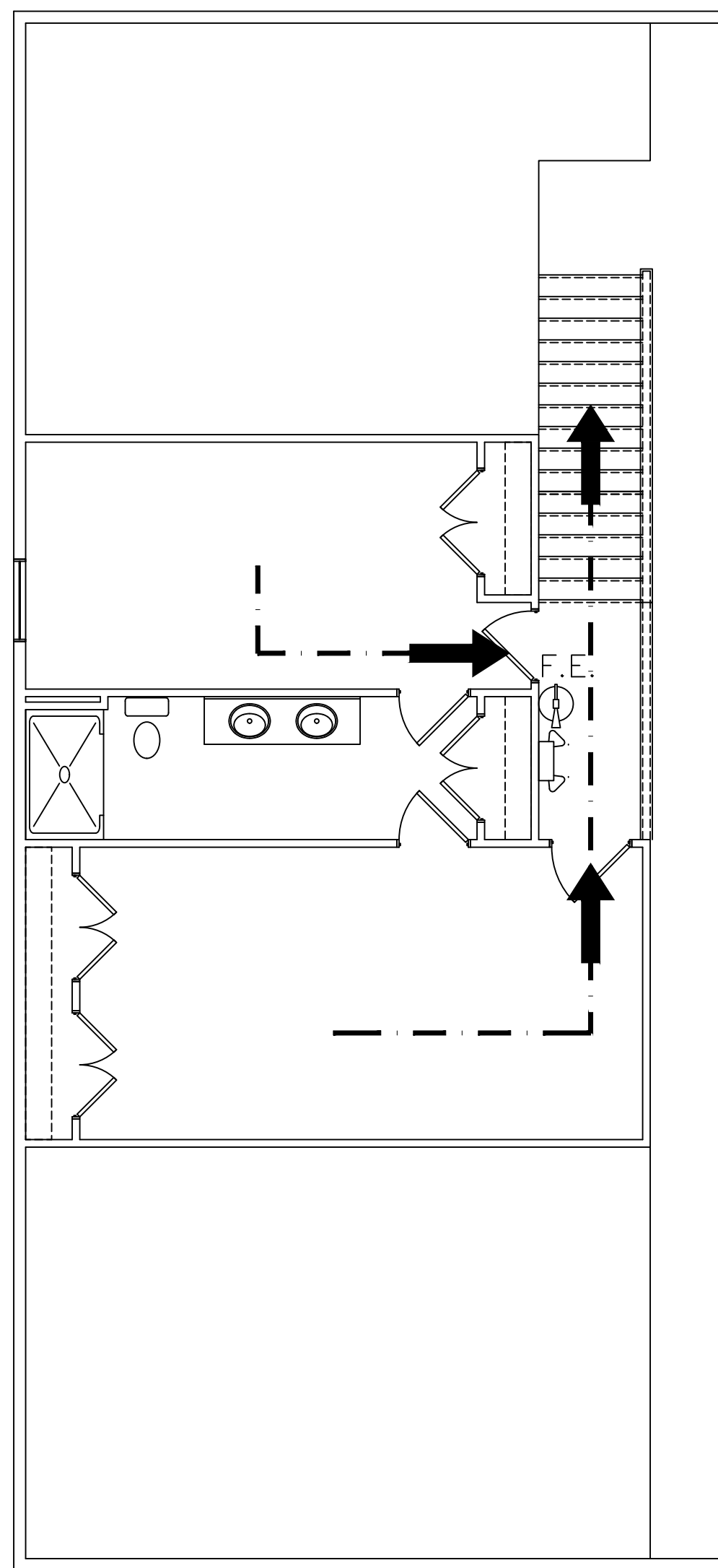
Revisions:	

**JOE PARKER ROAD
EVENT CENTER
HALL COUNTY, GA.**

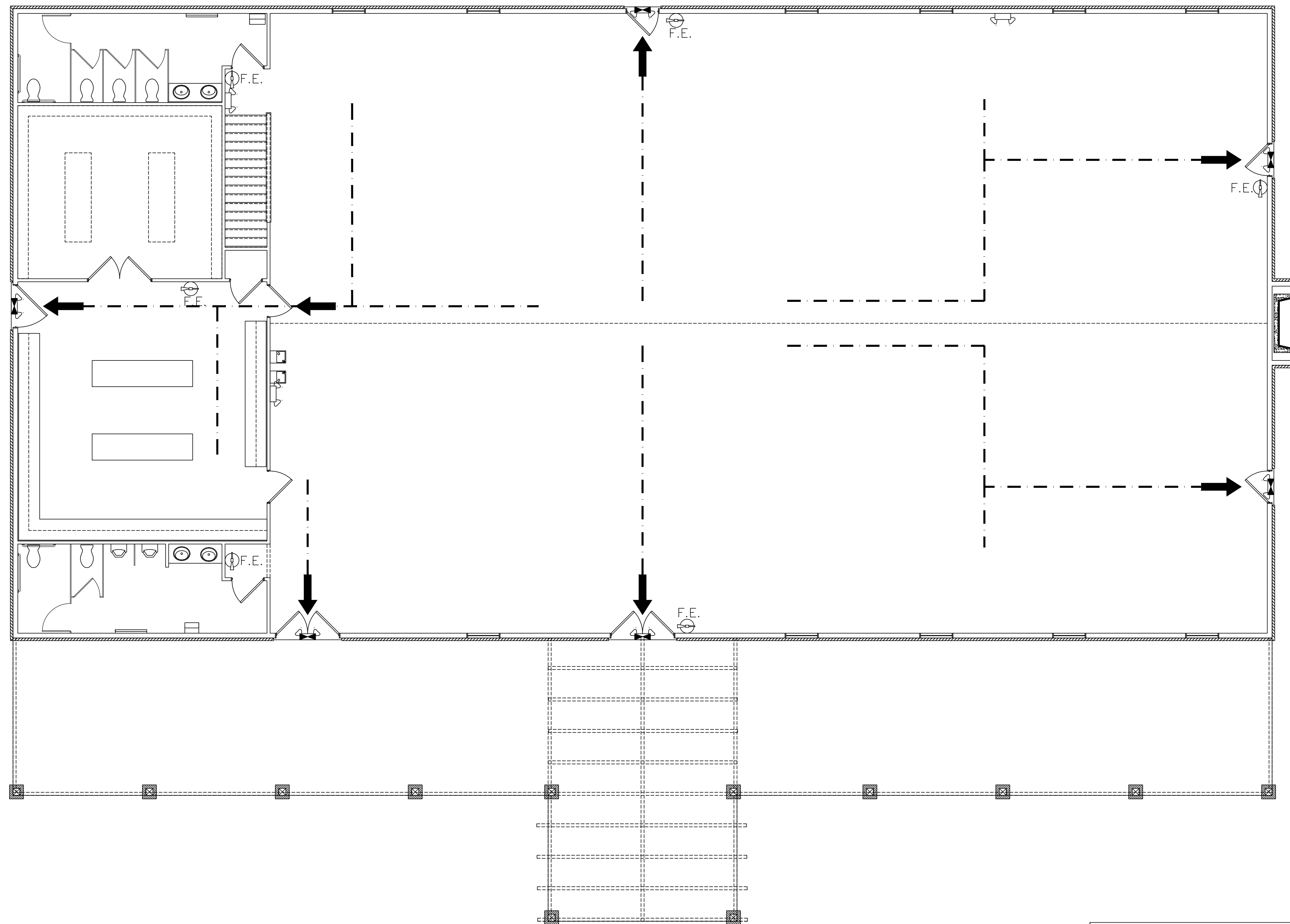
Date: **06-16-21**
Scale: **AS NOTED**
Drawn By: **KC-KD**
Checked By:

**PLUMBING
DETAILS**

Sheet Number:
P-1.3



UPPER FLOOR PLUMBING PLAN
SCALE: 3/16"=1'-0"



MAIN FLOOR PLUMBING PLAN
SCALE: 3/16"=1'-0"

LEGEND	
	F.E. FIRE EXTINGUISHER
	WALL MOUNTED EXIT SIGN, WITH LIGHTS
	WALL MOUNTED EMERGENCY LIGHTS
	EMERGENCY EGRESS ROUTE

CDD - DRD

P.O. BOX 455
ALTO, GA. 30510
(706)968-9270 or (706)201-4351

Revisions:

NO.	DESCRIPTION

**JOE PARKER ROAD
EVENT CENTER**
HALL COUNTY, GA.

Date: 06-16-21

Scale: AS NOTED

Drawn By: KC-KD

Checked By:

**MAIN & UPPER
LIFE SAFETY PLANS**

Sheet Number:

LS-1