

## ST Sunrise Cove Marina: P Dock: 40' Slip Elevation

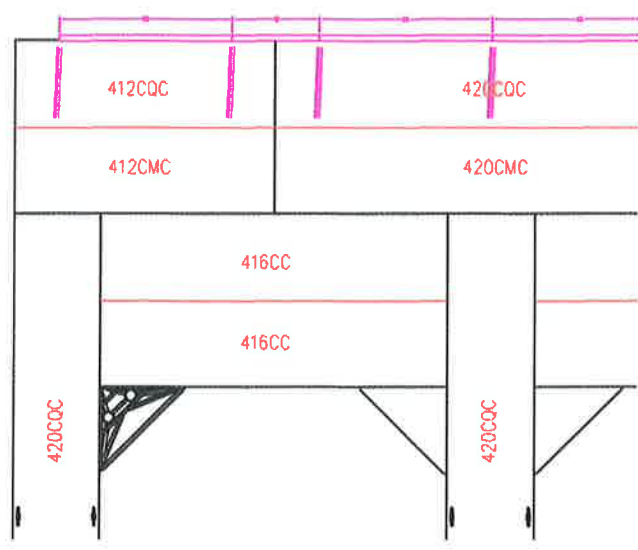


### DOCK LAYOUT

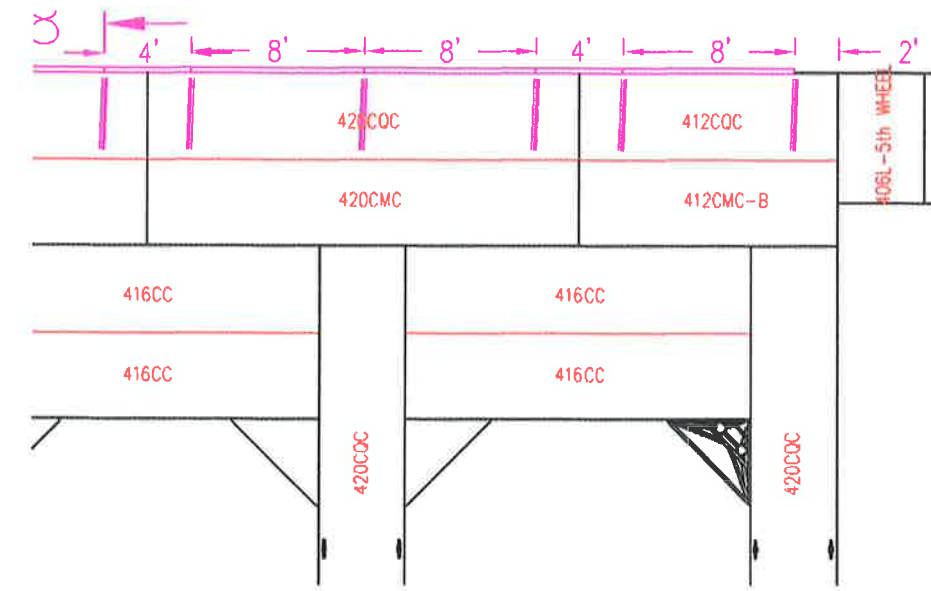
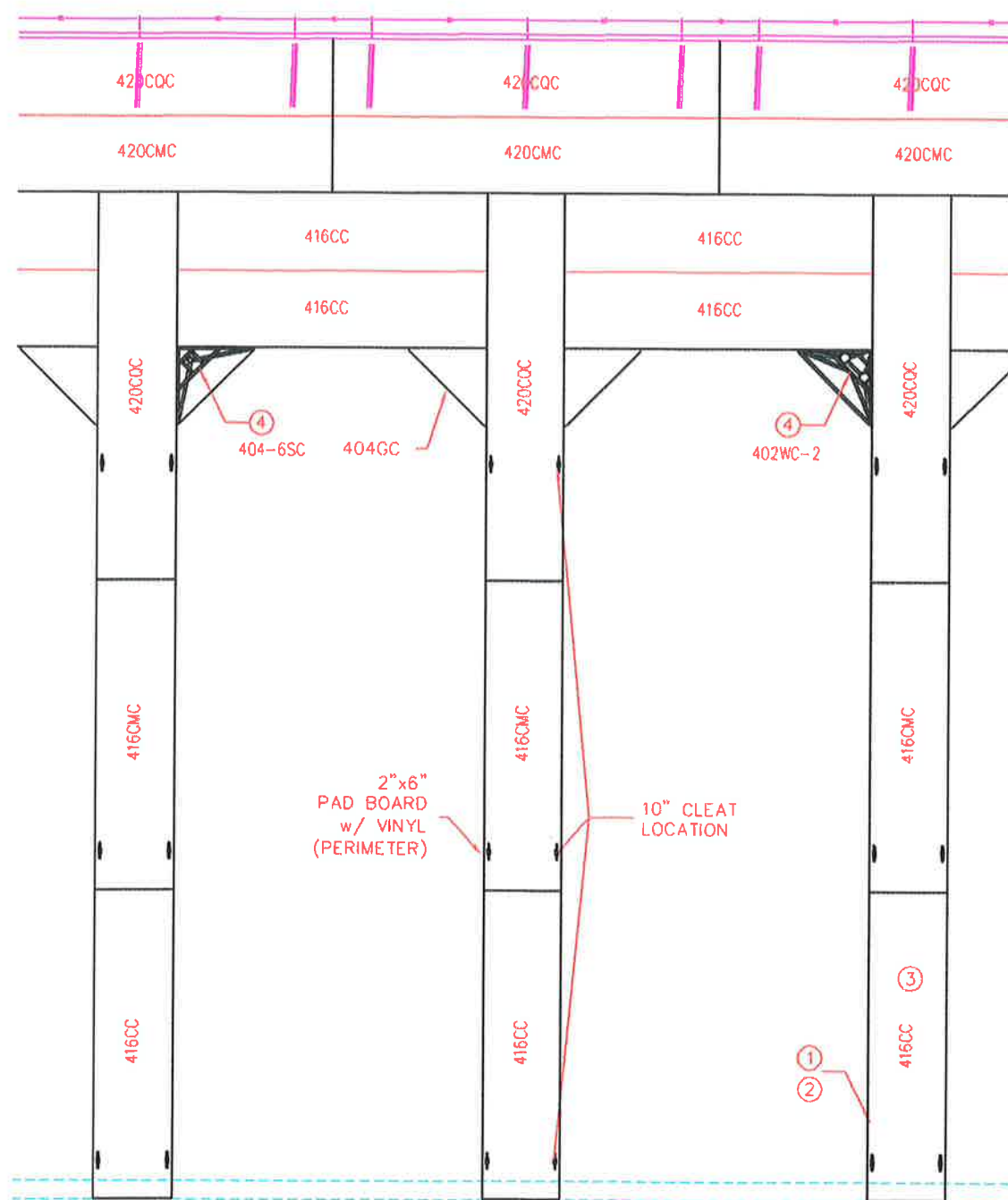
DECK AREA: 13,136 SQ. FT.  
PERIM. 3,456 LN. FT.

26 OPEN SLIPS 16'x44' ea.  
524 LF VERTICAL WALL WAVE ATTENUATOR

Scale: 0' 20' 40'



### LAKE END



### SHORE END

		Floating Docks Mfg. Co.	
		Indianapolis, IN	
Date: 1-22-06	Project: WESTEC MARINAS	Sheet: 2	
Scale: 1/8"=1'-0"	Client: SUNRISE COVE MARINA	1-FRAME	
Drawn: MAM	Location: LAKE LANIER, GEORGIA	2-FRAME	
Reviewed:	Title: DOCK FRAME LAYOUT	3-FRAME	
Author:	Drawn:	4-FRAME	
Checker:	Checked:	5-FRAME	
Designer:	Designed:	6-FRAME	