

4670 Union Church Road Aspire Exterior Options

***NOTE: All roof overhangs to be 12" ***



Home Exterior 21



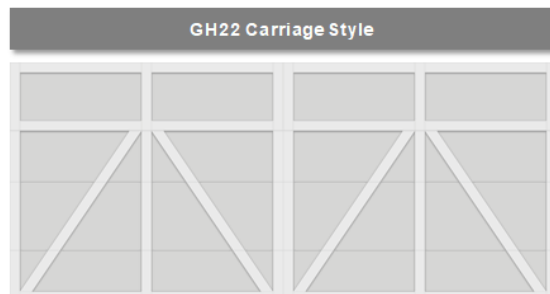
Home Exterior 22



Home Exterior 23



Home Exterior LC2A



Standard Garage Door Style

4670 Union Church Road Hampton Exterior Options

***NOTE: All roof overhangs to be 12" ***



Home Exterior 21



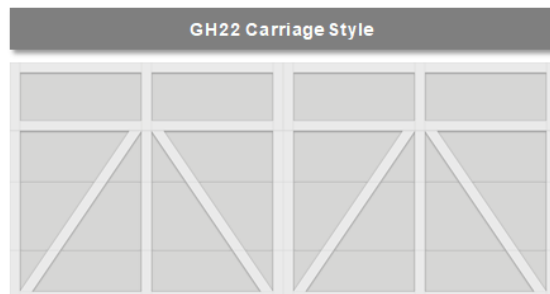
Home Exterior 22



Home Exterior 23



Home Exterior LC2G



Standard Garage Door Style

4670 Union Church Road Hartwell Exterior Options

***NOTE: All roof overhangs to be 12" ***



Home Exterior 21



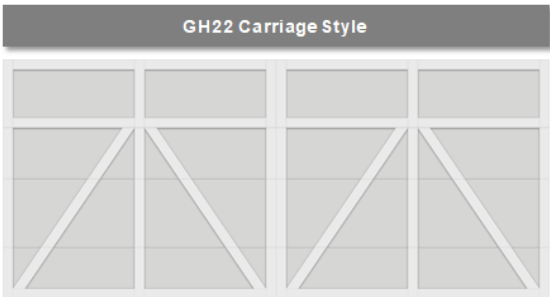
Home Exterior 22



Home Exterior 23



Home Exterior LC2H



Standard Garage Door Style

4670 Union Church Road Mitchell Exterior Options

***NOTE: All roof overhangs to be 12" ***



Home Exterior 21



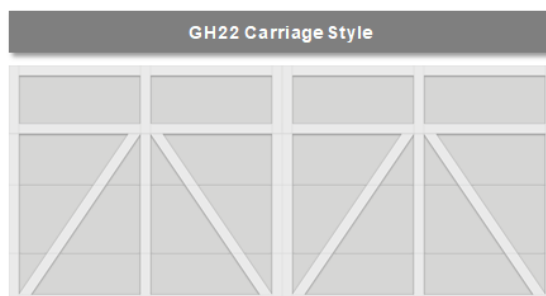
Home Exterior 22



Home Exterior 23



Home Exterior LC2G



Standard Garage Door Style

4670 Union Church Road Bedrock Exterior Options

***NOTE: All roof overhangs to be 12" ***



Home Exterior LC2H



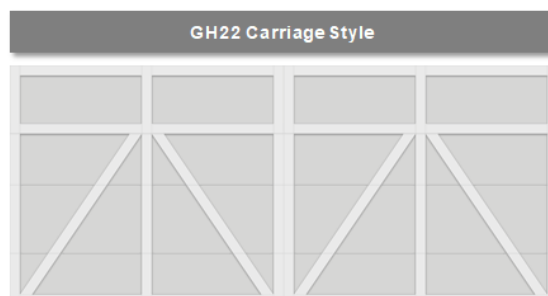
Home Exterior LC3G



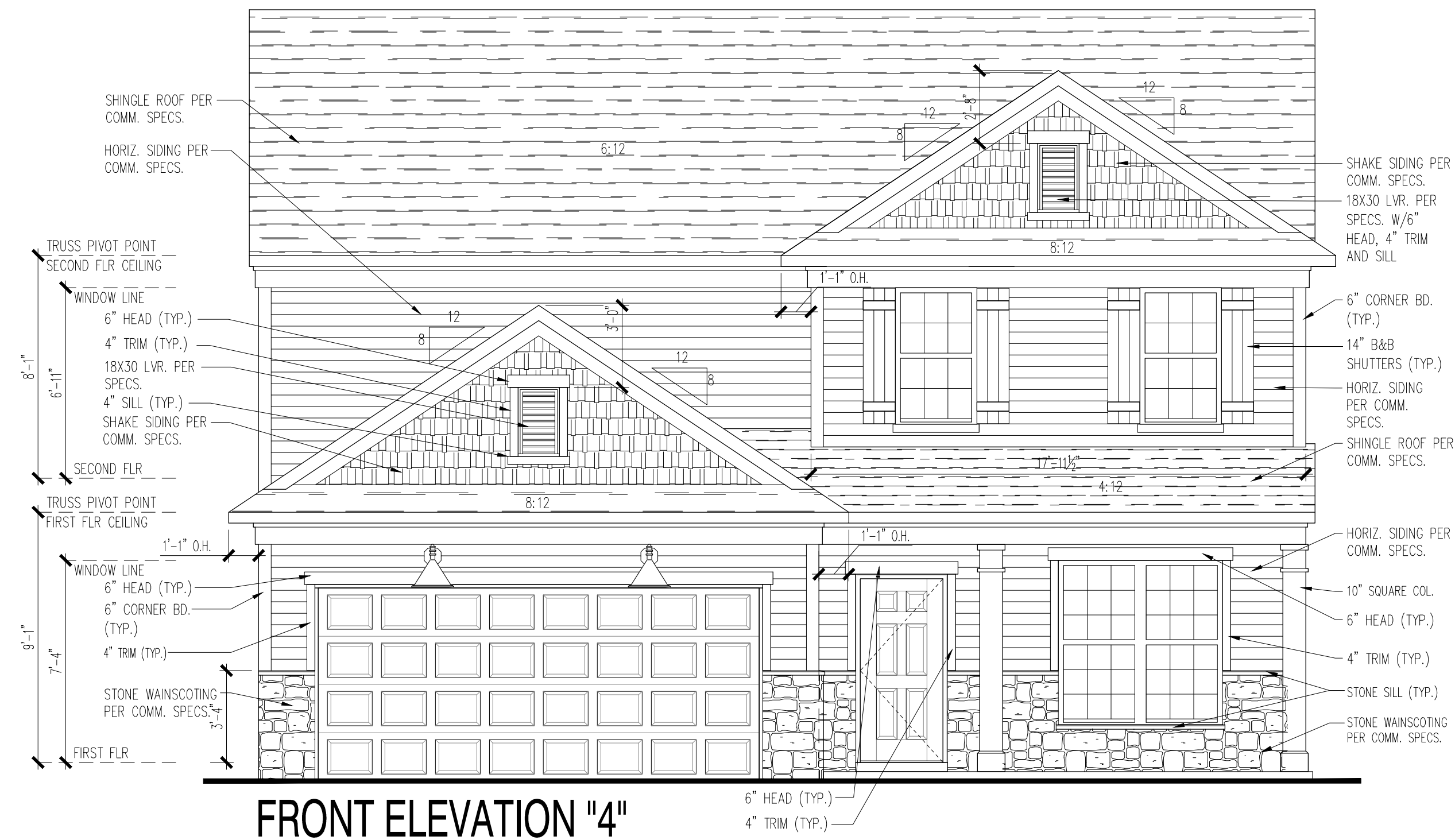
Home Exterior LC3S



Home Exterior LC3W

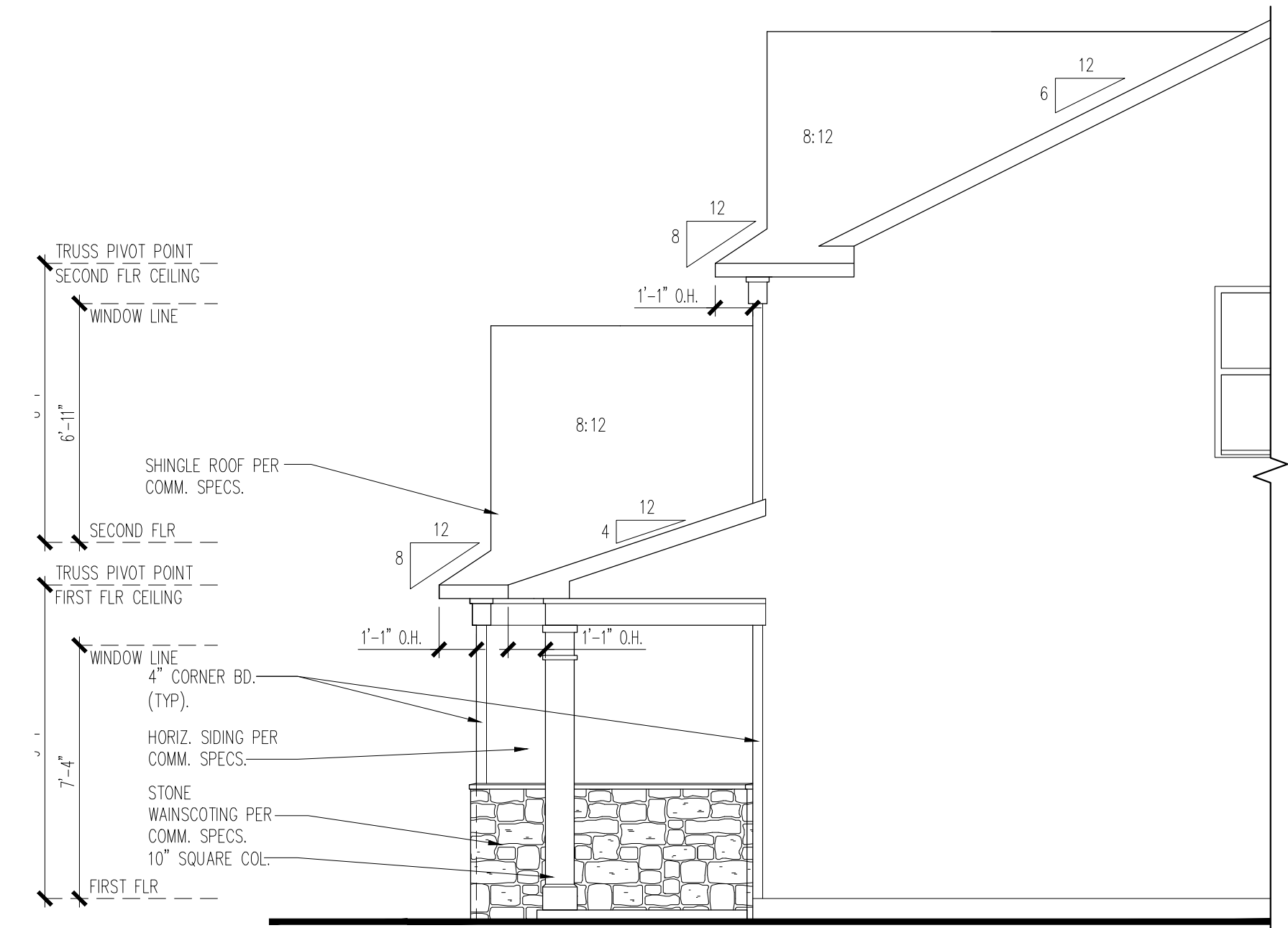


Standard Garage Door Style



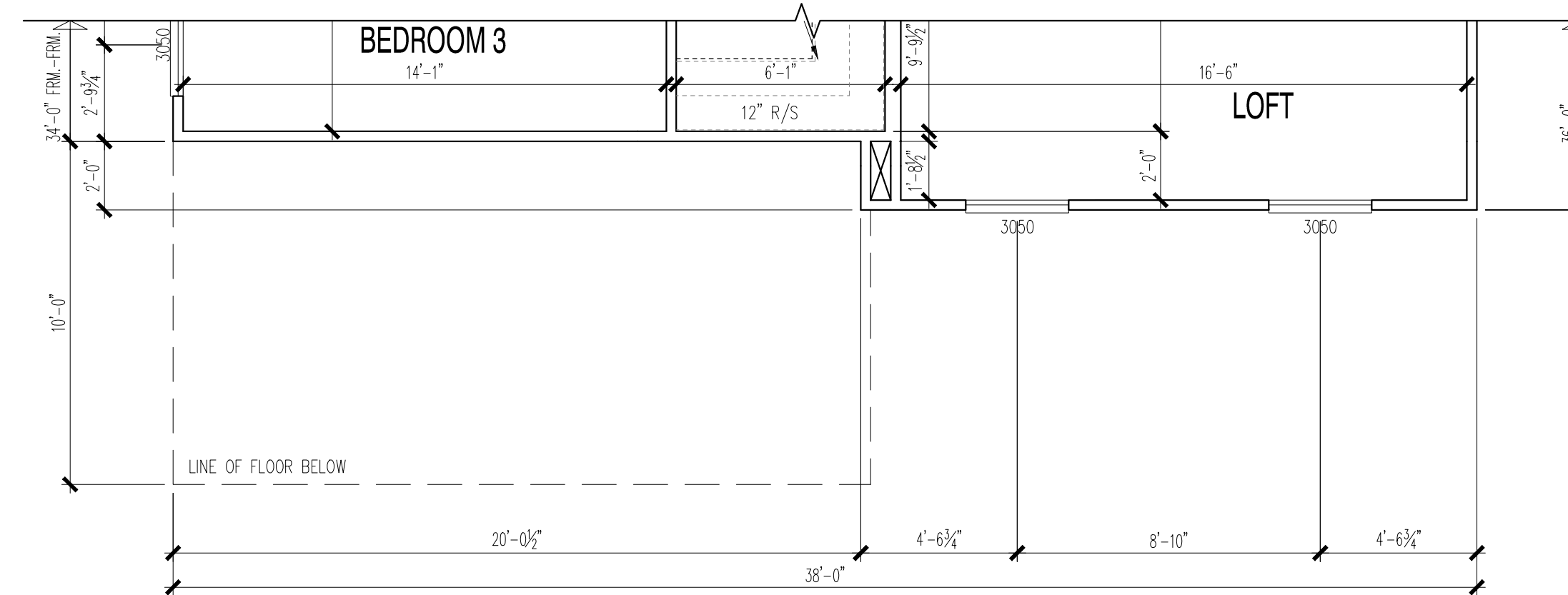
FRONT ELEVATION "4"

SCALE : 1/4" = 1'-0"



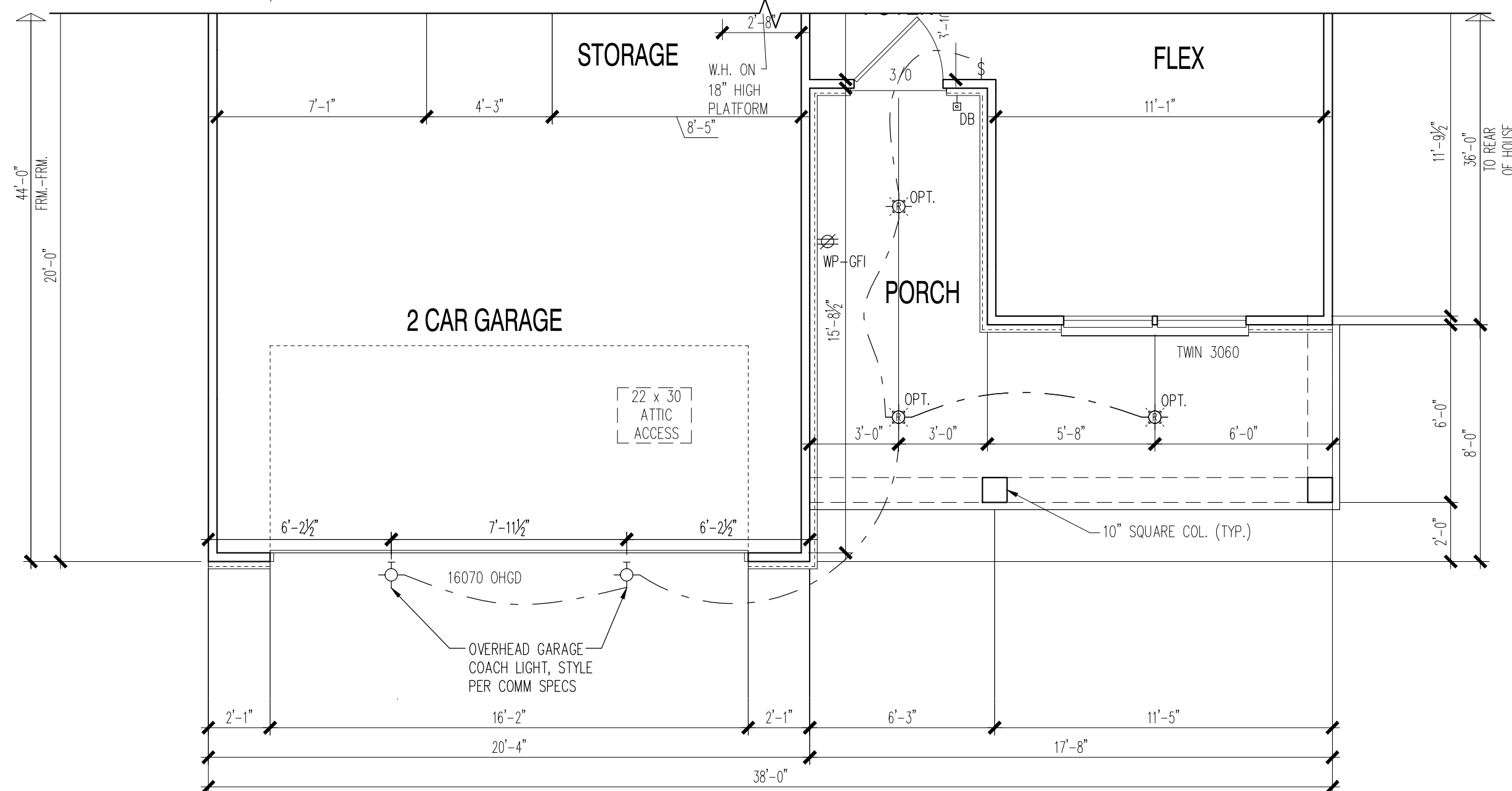
PARTIAL RIGHT SIDE ELEVATION

SCALE : 1/4" = 1'-0"



PARTIAL SECOND FLOOR PLAN

SCALE : 1/4" = 1'-0"



PARTIAL FIRST FLOOR PLAN

SCALE : 1/4" = 1'-0"



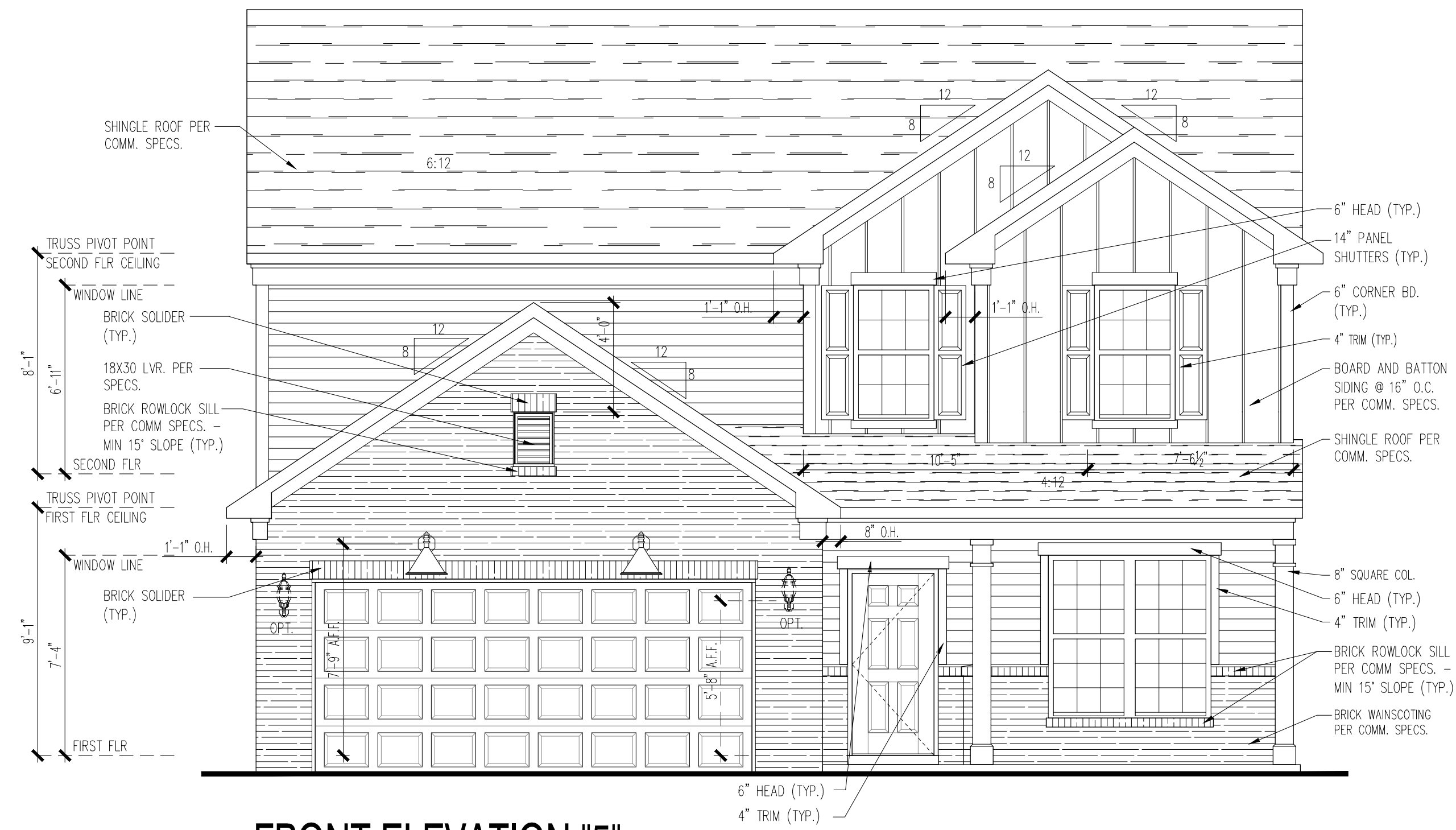
Newberry
 FRONT ELEVATION "4"
 FRONT ENTRY GARAGE

PRODUCT MANAGER	
INITIAL RELEASE	DATE
REV#	DATE/DESCRIPTION
△	
△	
△	
△	
△	
△	
△	

PROJECT TYPE
Single Family

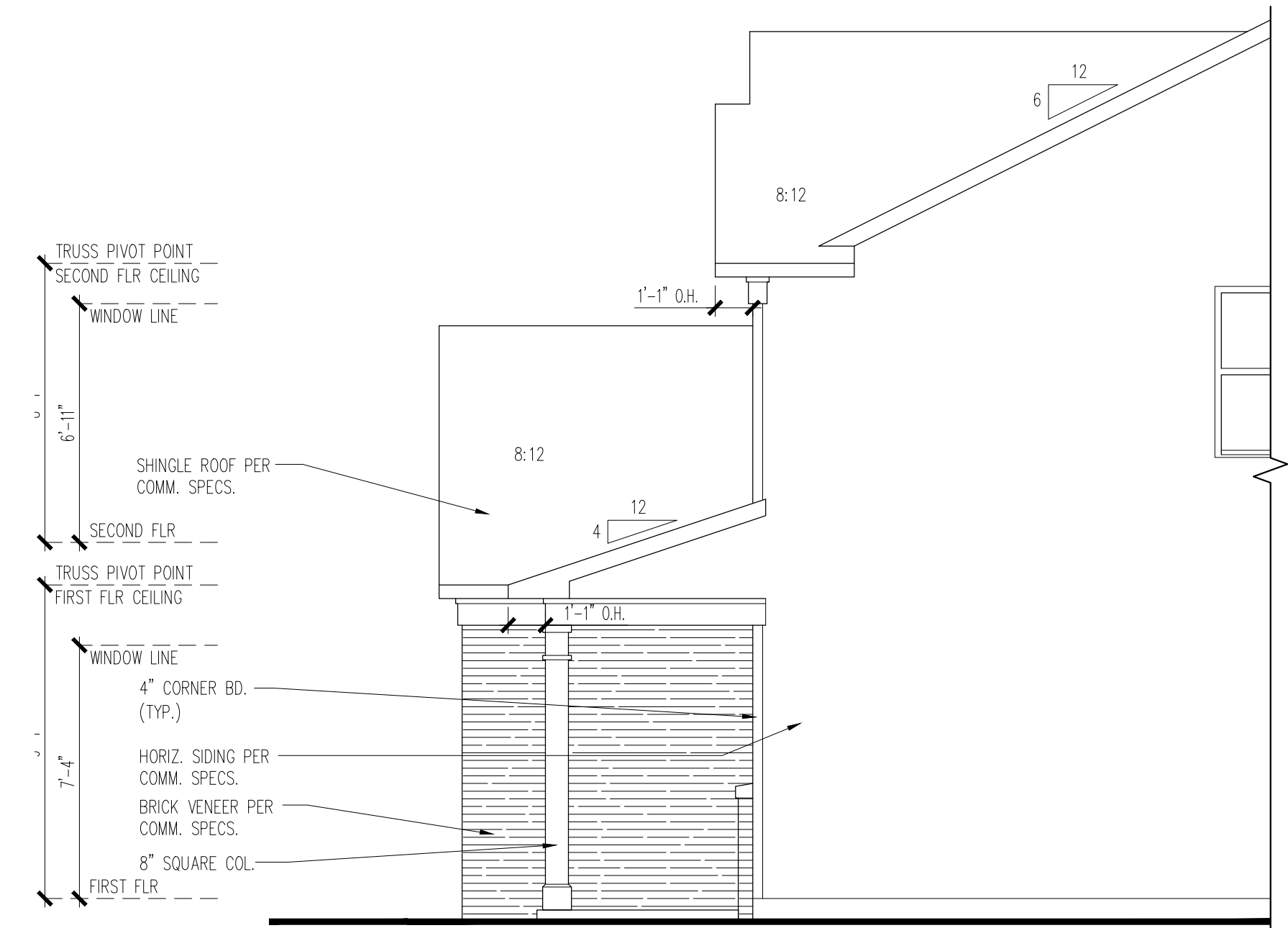
PLAN NAME
Newberry

SHEET
3.40



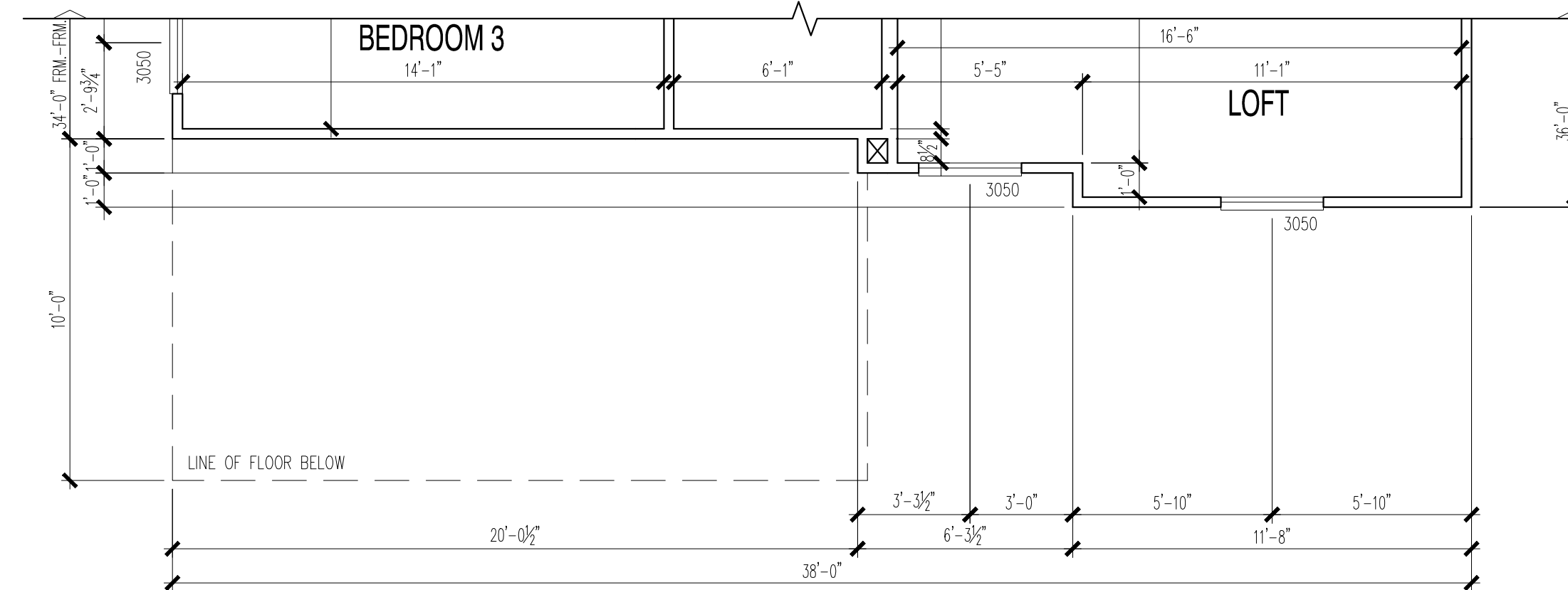
FRONT ELEVATION "5"

SCALE : 1/4" = 1'-0"



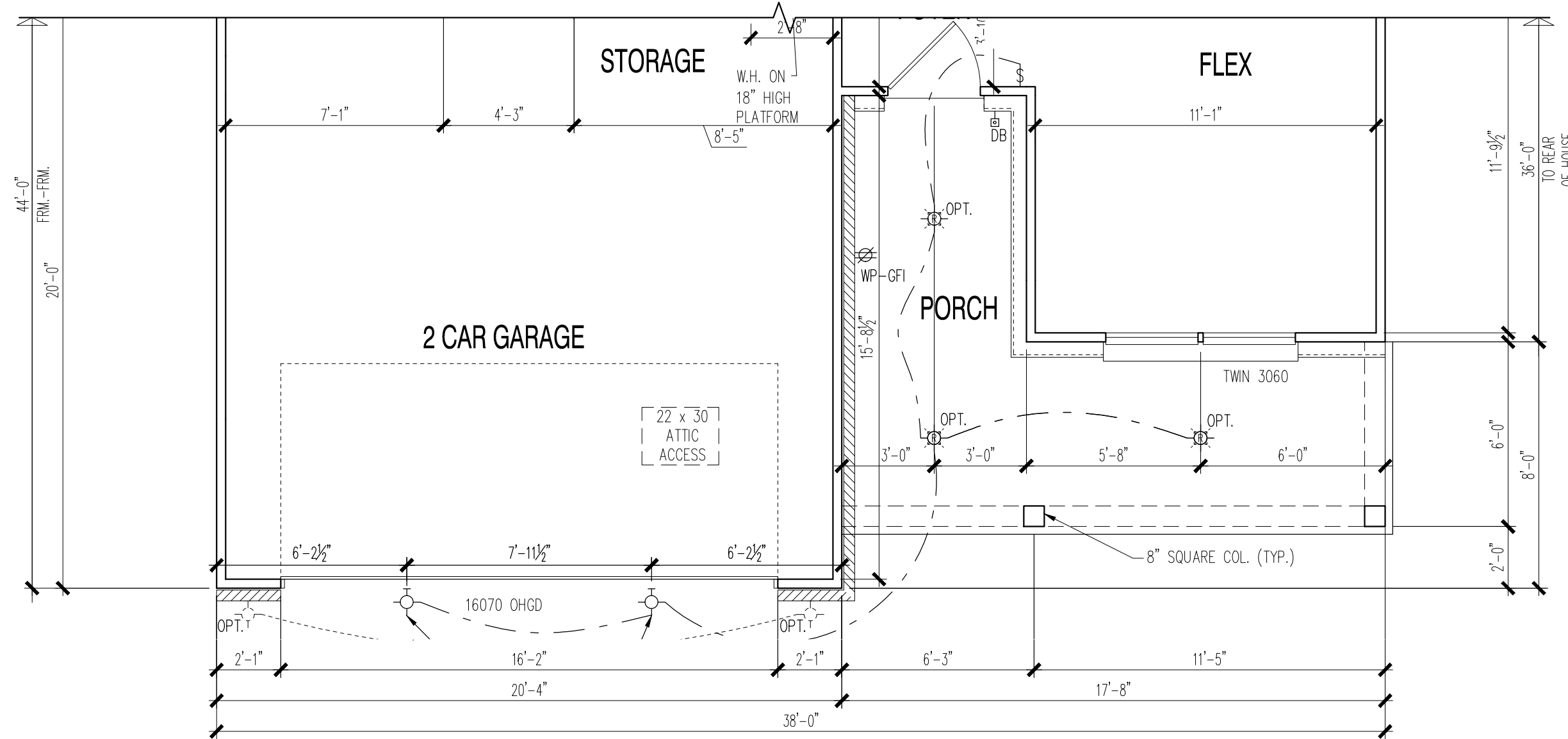
PARTIAL RIGHT SIDE ELEVATION

SCALE : 1/4" = 1'-0"



PARTIAL SECOND FLOOR PLAN

SCALE : 1/4" = 1'-0"



PARTIAL FIRST FLOOR PLAN

SCALE : 1/4" = 1'-0"



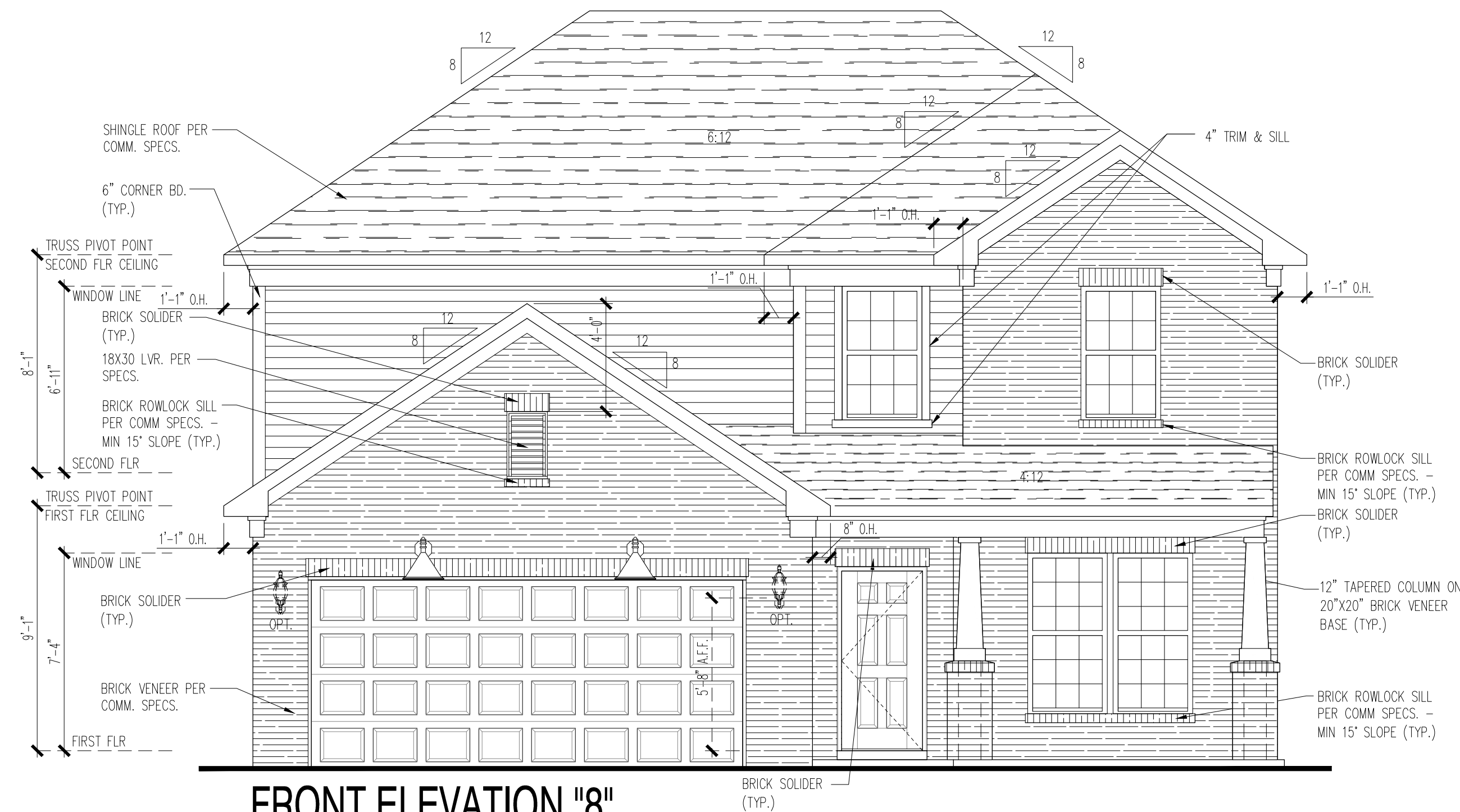
Newberry
FRONT ELEVATION "5"
FRONT ENTRY GARAGE

PRODUCT MANAGER	
INITIAL RELEASE DATE:	
REV#	DATE/DESCRIPTION
△	
△	
△	
△	
△	
△	
△	

PROJECT TYPE
Single Family

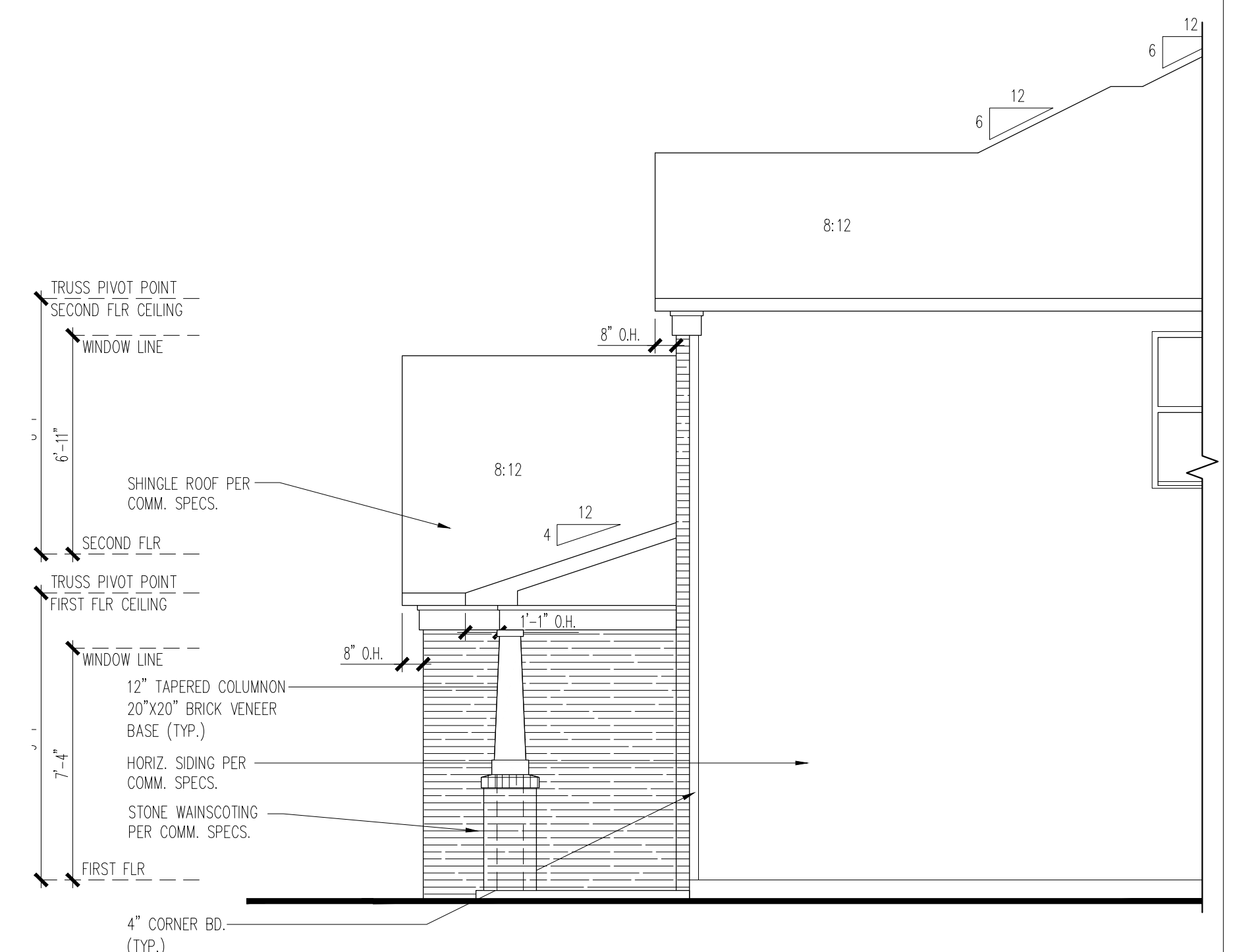
PLAN NAME
Newberry

SHEET
3.5.0



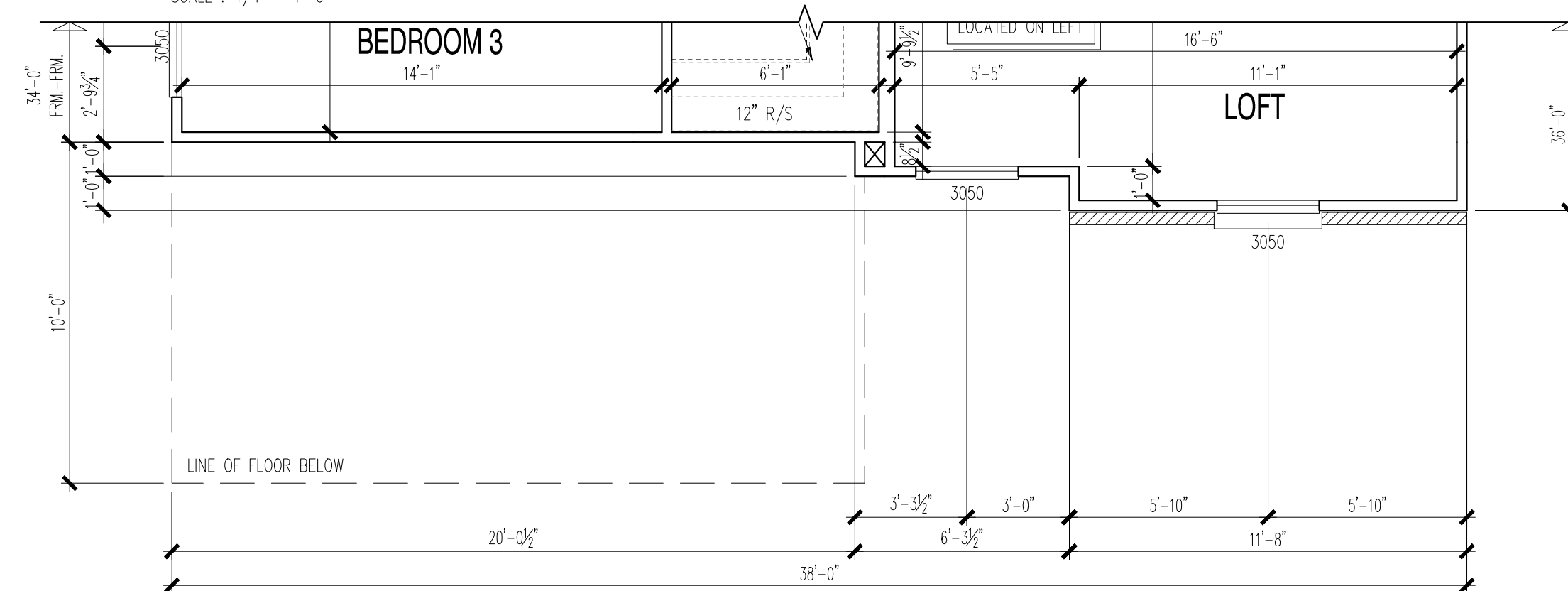
FRONT ELEVATION "8"

SCALE : 1/4" = 1'-0"



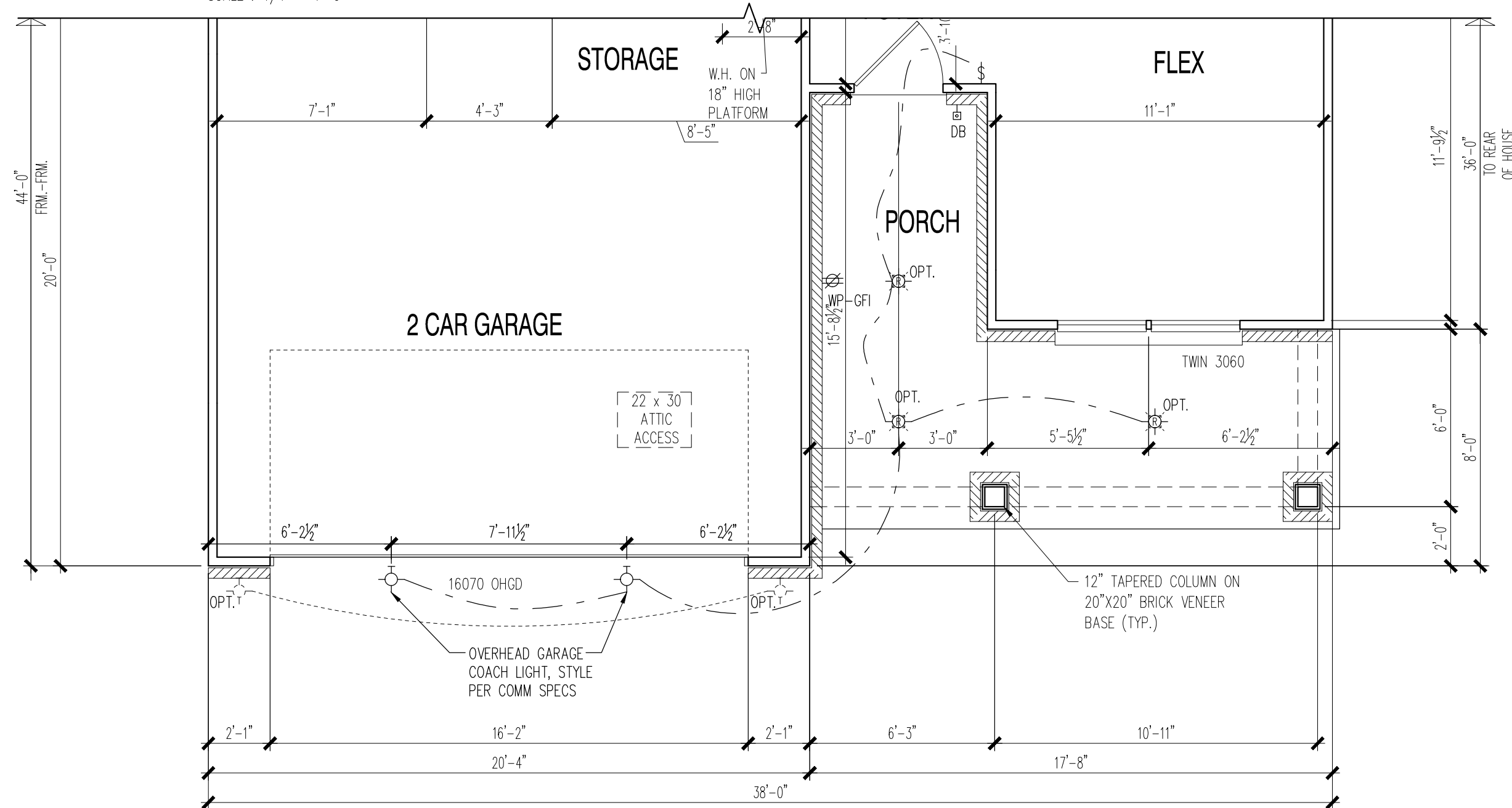
PARTIAL RIGHT SIDE ELEVATION

SCALE : 1/4" = 1'-0"



PARTIAL SECOND FLOOR PLAN

SCALE : 1/4" = 1'-0"



PARTIAL FIRST FLOOR PLAN

SCALE : 1/4" = 1'-0"



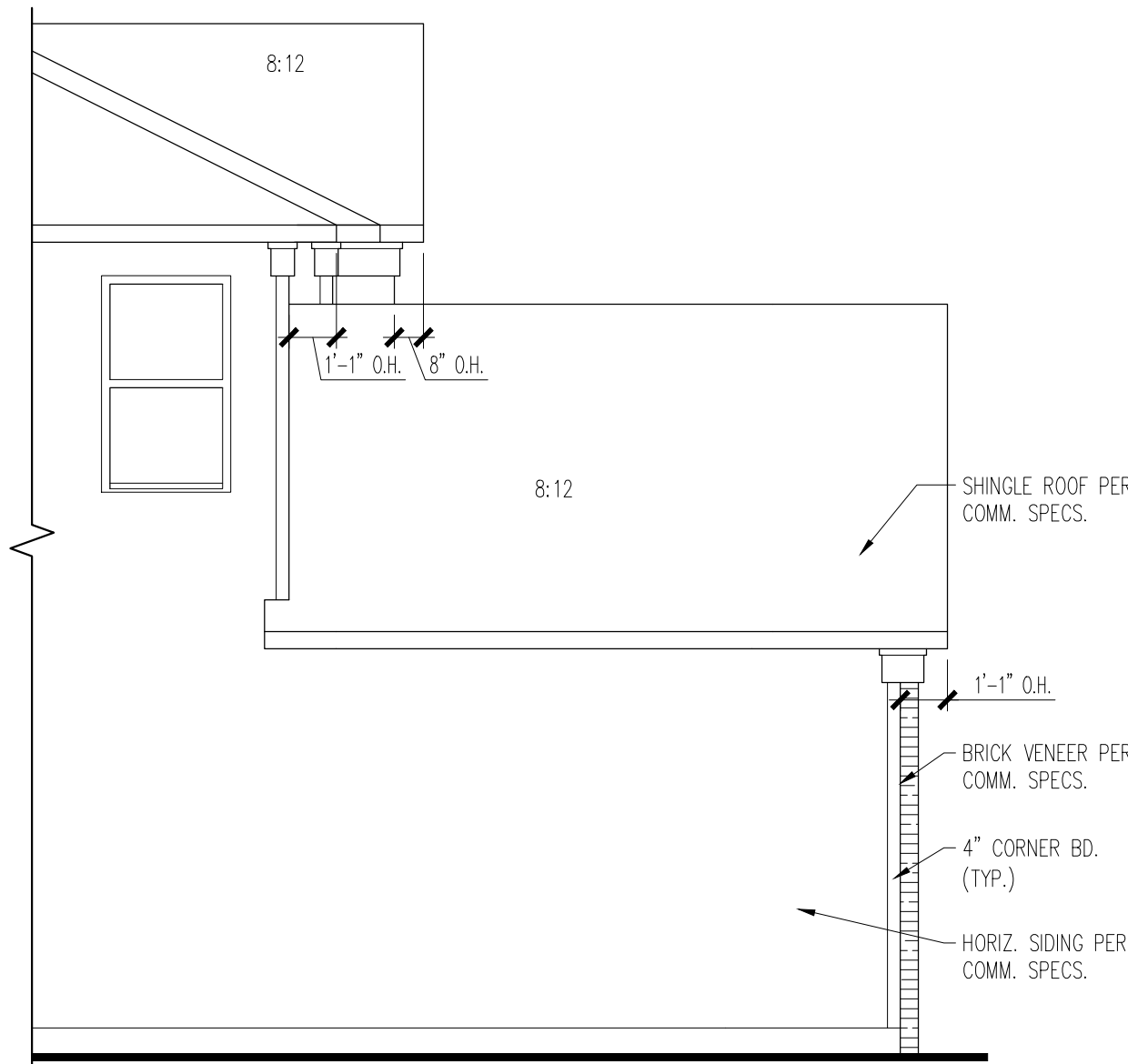
Newberry
FRONT ELEVATION "8"
FRONT ENTRY GARAGE

PRODUCT MANAGER	
INITIAL RELEASE DATE:	DATE:
REV#	DATE/DESCRIPTION

PROJECT TYPE
Single Family

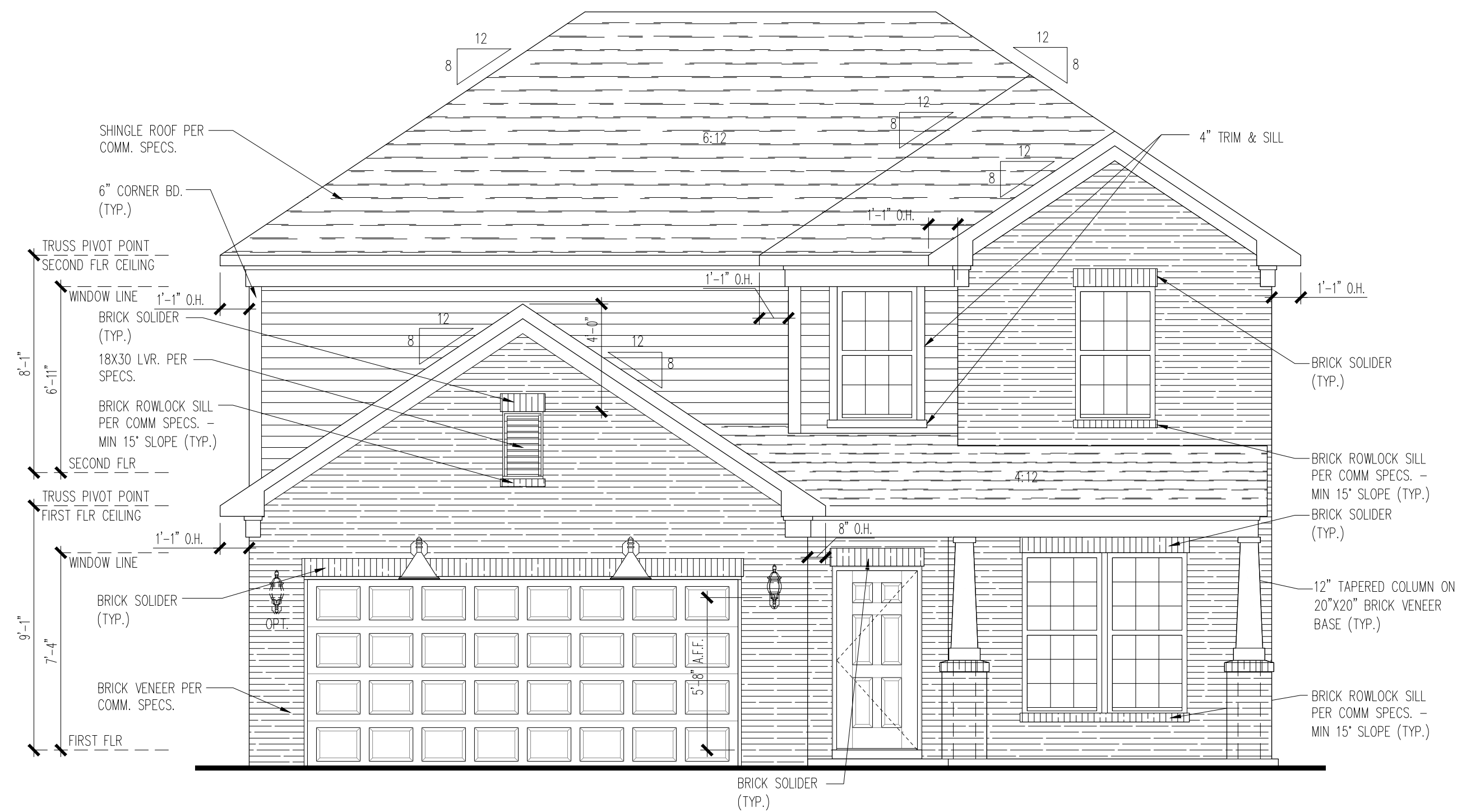
PLAN NAME
Newberry

SHEET
3.8.0



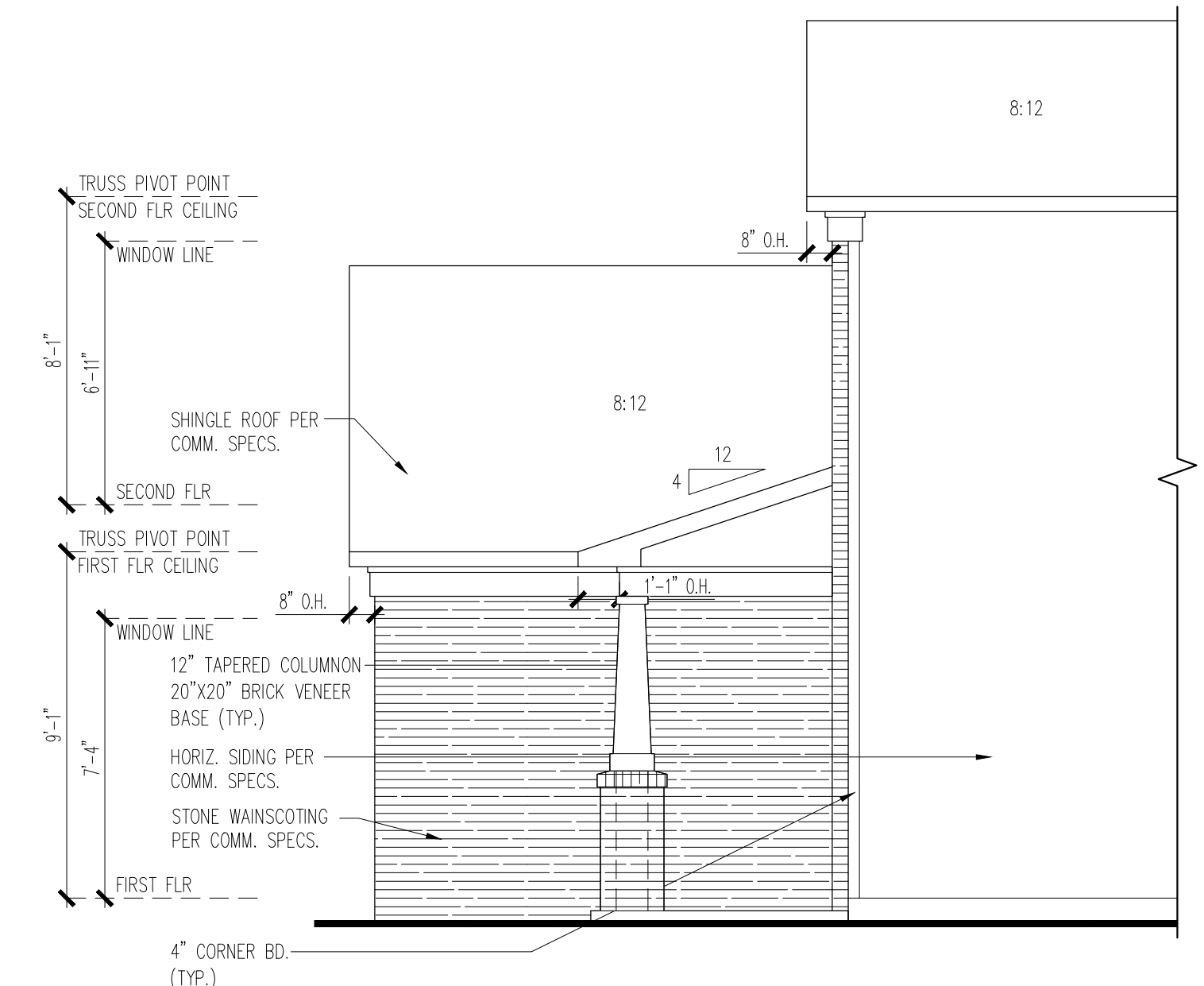
**PARTIAL LEFT SIDE ELEV 8
W/ OPT. 4' GARAGE EXTENSION**

SCALE : 1/4" = 1'-0"



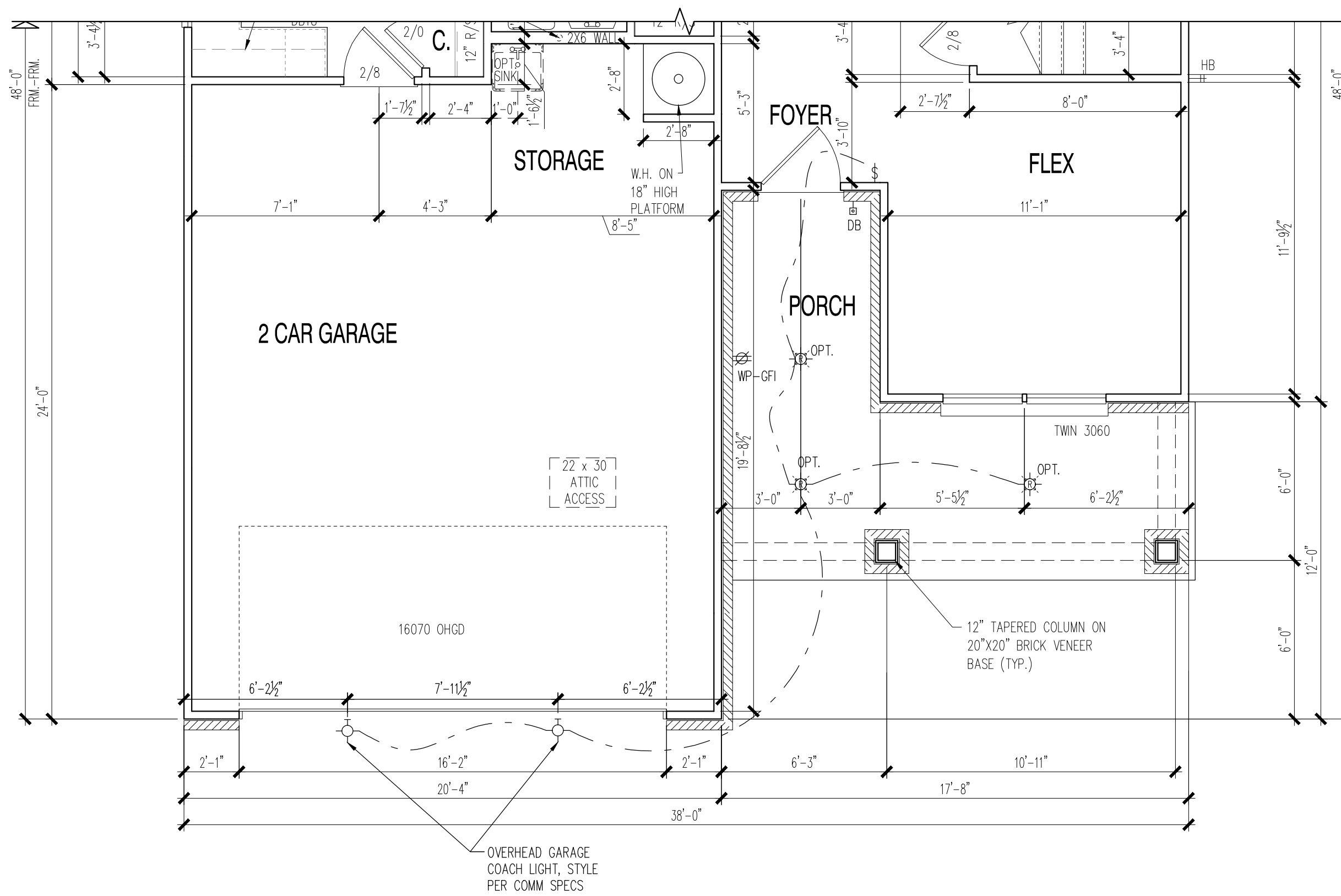
**FRONT ELEVATION 8
W/ OPT. 4' GARAGE EXTENSION**

SCALE : 1/4" = 1'-0"



**PARTIAL RIGHT SIDE ELEV 8
W/ OPT. 4' GARAGE EXTENSION**

SCALE : 1/4" = 1'-0"



**PARTIAL FIRST FLOOR PLAN ELEV 8
W/ OPT. 4' GARAGE EXTENSION**

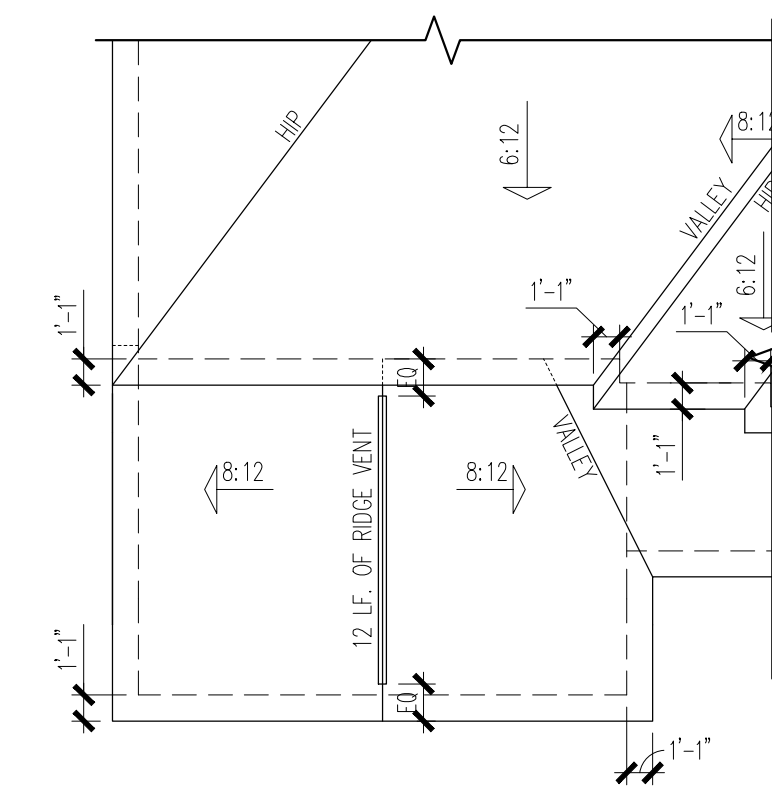
SCALE : 1/4" = 1'-0"

SCALE : 1/4" = 1'-0"

ATTIC VENTILATION : (300 SQ FT ATTIC SPACE / 1 SQ FT VENTILATION)
W/ 40%-50% REQ. VENTS GREATER THAN OR EQUAL TO 3' ABOVE
EAVE / CORNICE VENTS PER R806.2

ELEV 8 GARAGE W/4' EXTENSION	501 SQ FT UNDER ROOF ATTIC / 300 SQ FT / 1 SQ FT = 1.67 SQ FT VENTILATION
RIDGE VENT 18 SQ IN = (.125 SQ FT)	
BOX VENT 50 SQ IN = (.3472 SQ FT)	
SOFFIT VENT 9 SQ IN = (.0625 SQ FT)	
1.67 SQ FT x 50 % = 0.835SQ FT RIDGE, 1.67 SQ FT x 50 % = 0.835SQ FT SOFFIT	
RIDGE VENT	0.835 SQ FT = 6.7 FEET OF RIDGE VENT OR W/ HIG. BOX VENT
	0.125 SQ FT
SOFFIT VENT	0.835 SQ FT = 2.4 BOX VENT(S) 0.3472SQ FT
	0.835 SQ FT = 13.4 FEET OF SOFFIT VENT 0.0625SQ FT

*CALCULATIONS REFLECT 50 % RIDGE AND 50 % SOFFIT VENTS ALLOWABLE PER SECTION R806.2



**PARTIAL ROOF PLAN ELEV 8
W/ OPT. 4' GARAGE EXTENSION**

SCALE : 1/8" = 1'-0"

Newberry
FRONT ELEVATION 8 OPT. 4' FRONT GARAGE EXTENSION

PRODUCT MANAGER

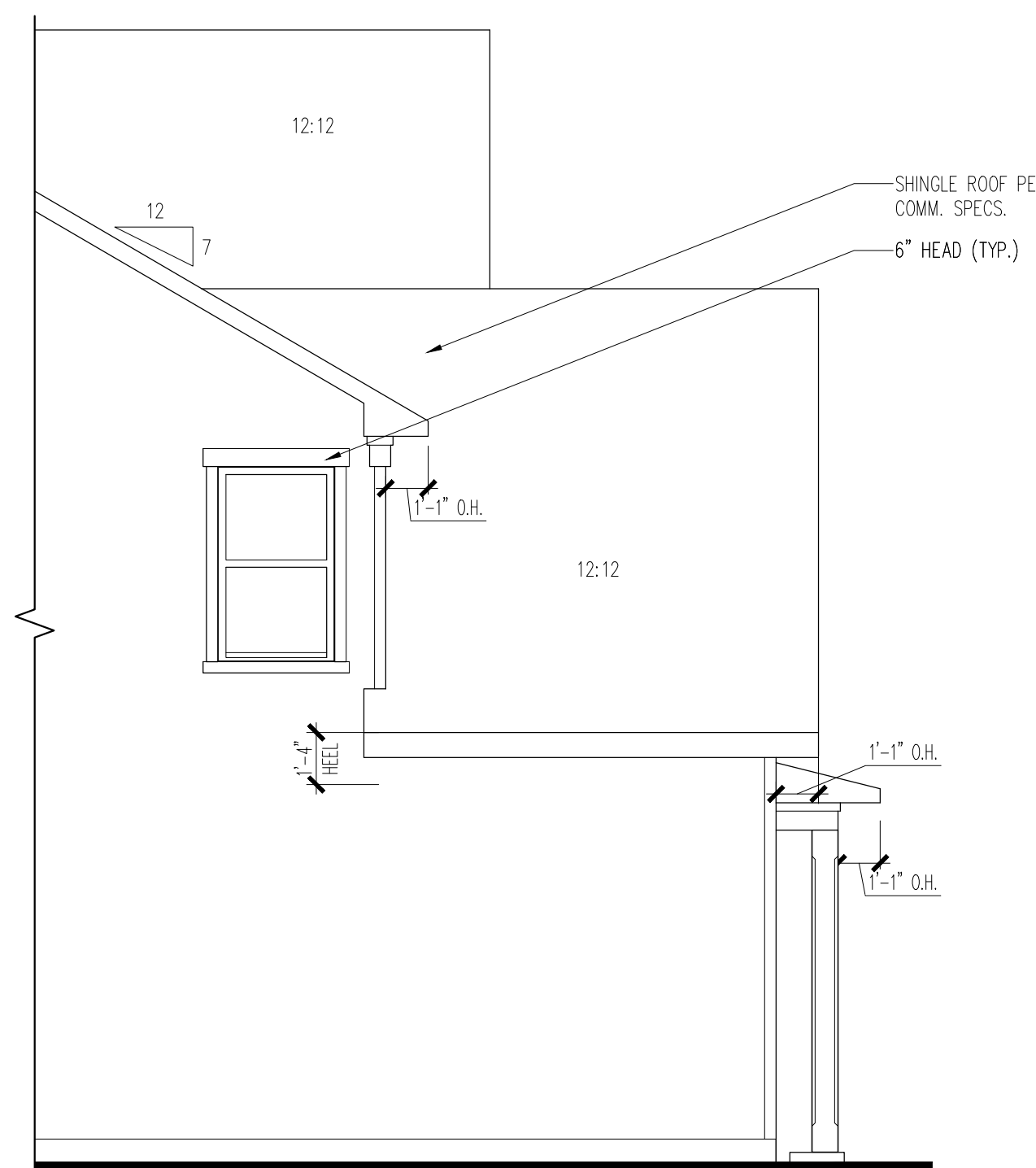
INITIAL RELEASE DATE:

REV#	DATE/DESCRIPTION

PROJECT TYPE
Single Family

PLAN NAME
Newberry

SHEET
3.8.1



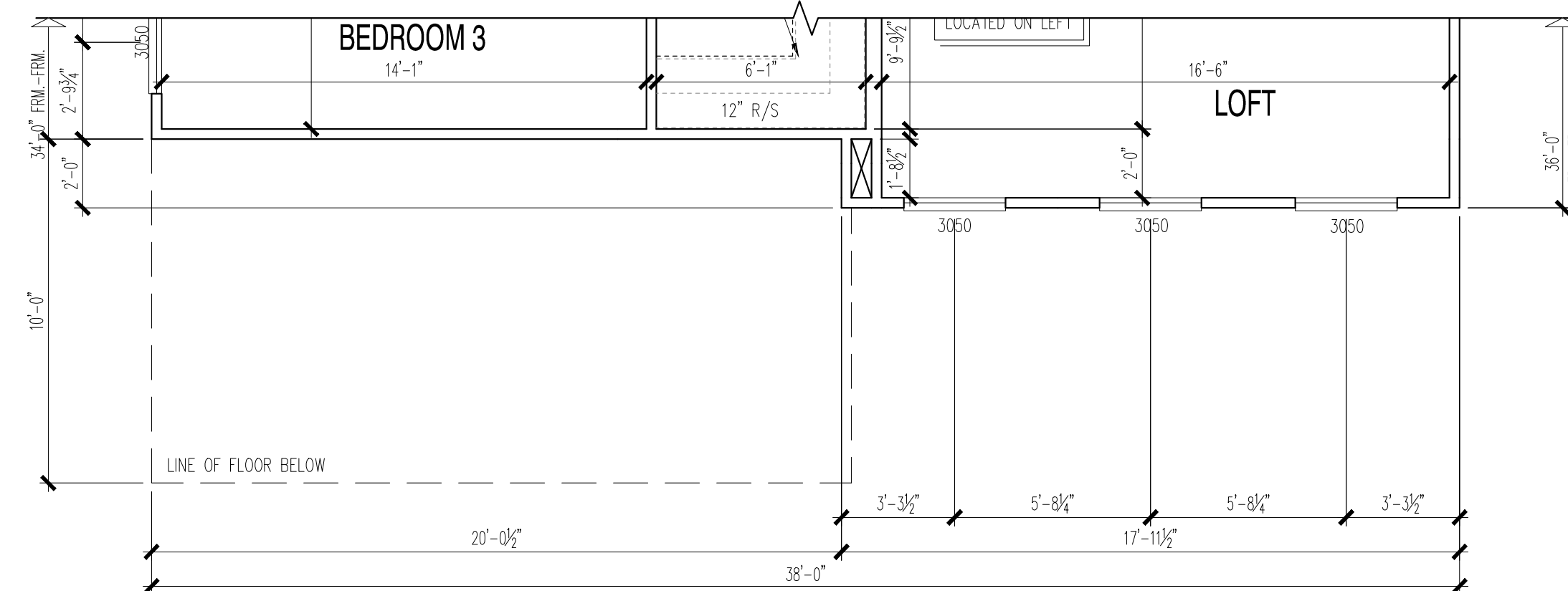
PARTIAL LEFT SIDE ELEVATION

SCALE : 1/4" = 1'-0"



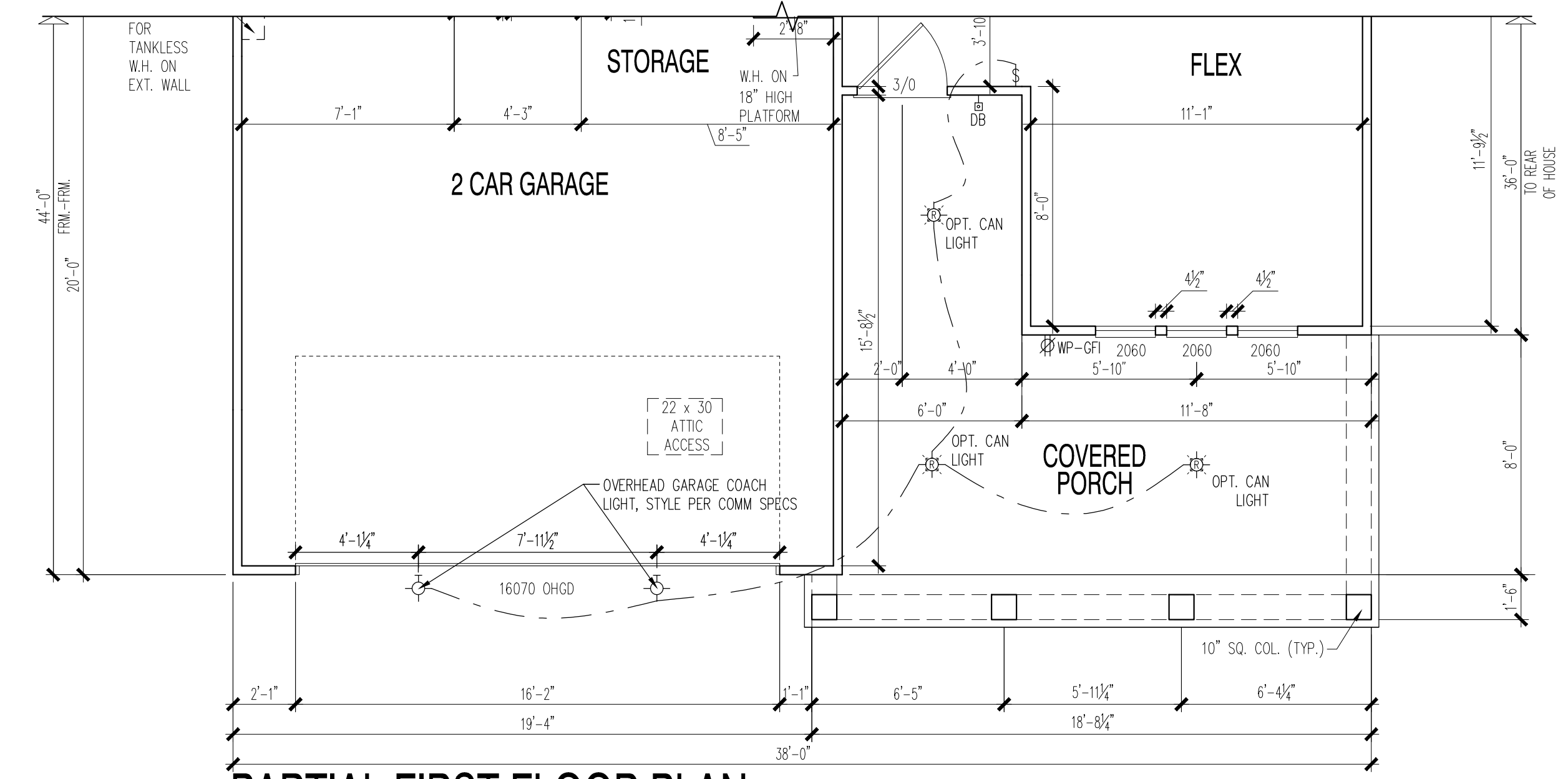
FRONT ELEVATION 21

SCALE : 1/4" = 1'-0"



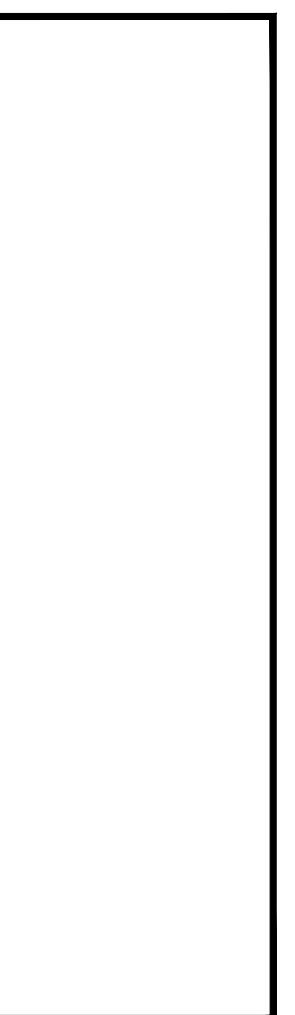
PARTIAL SECOND FLOOR PLAN

SCALE : 1/4" = 1'-0"



PARTIAL FIRST FLOOR PLAN

SCALE : 1/4" = 1'-0"



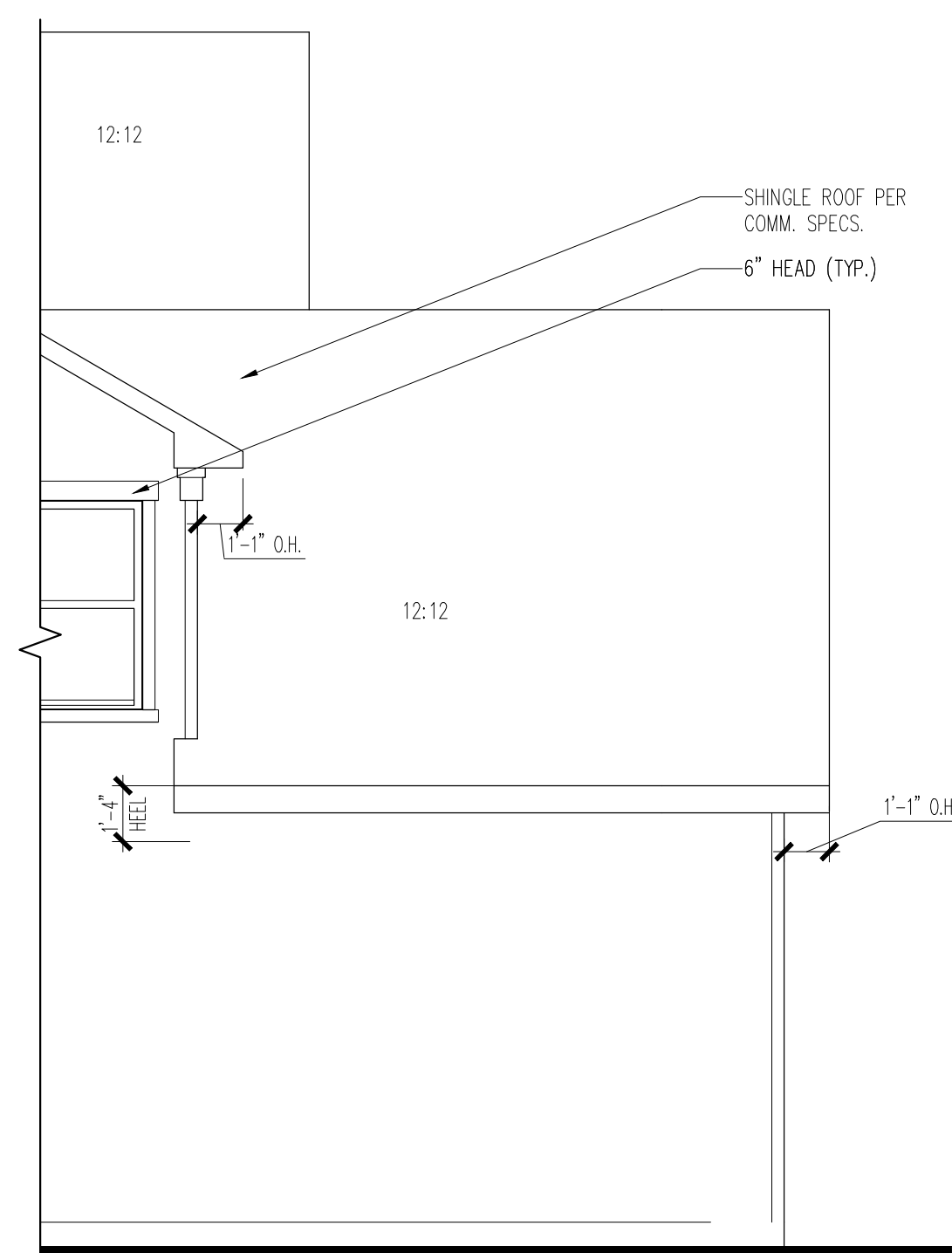
Newberry
FRONT ELEVATION 21

PRODUCT MANAGER	
INITIAL RELEASE	DATE:
REV#	DATE/DESCRIPTION
△	
△	
△	
△	
△	
△	
△	

PROJECT TYPE
Single Family

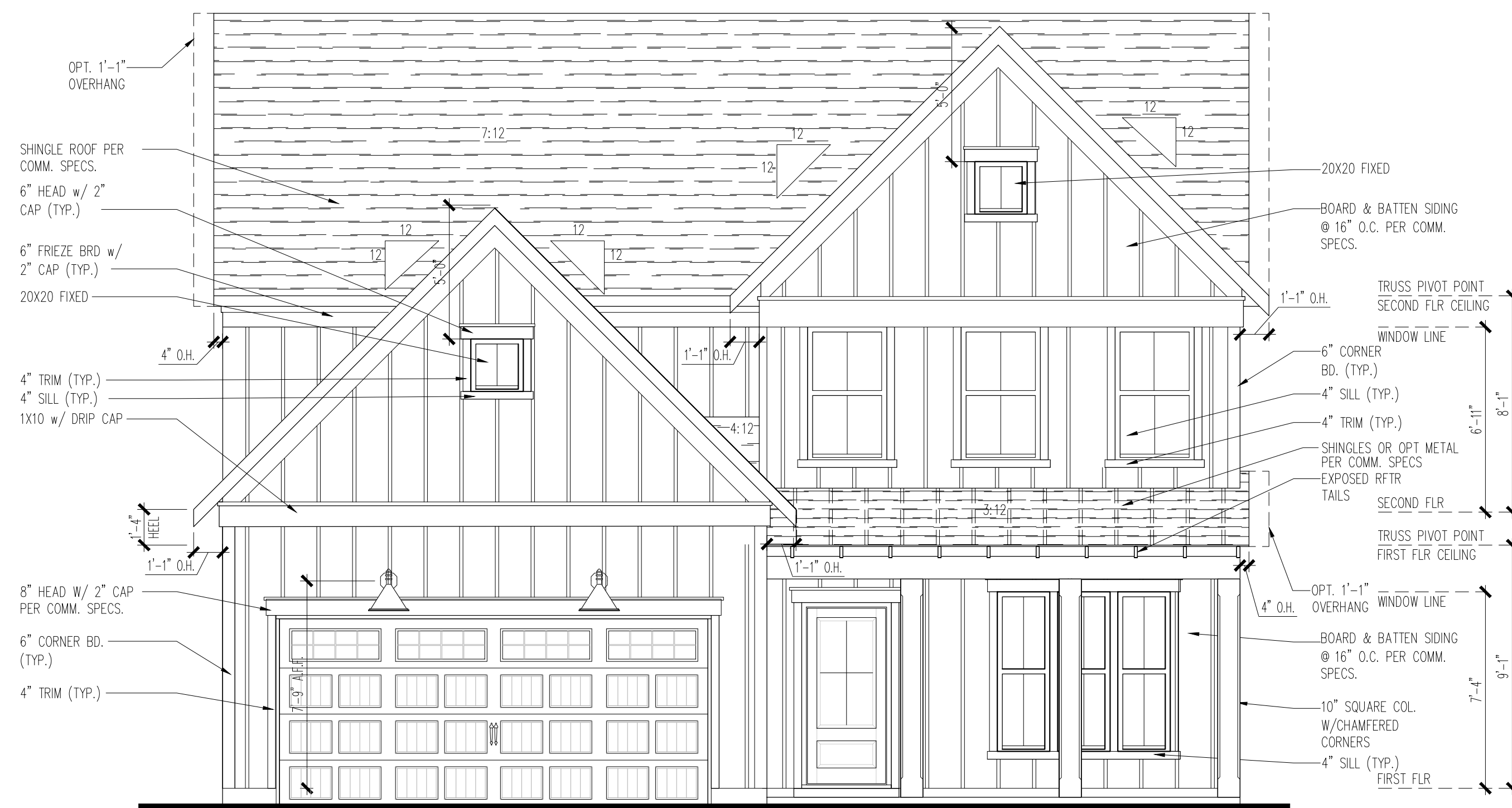
PLAN NAME
Newberry

SHEET
3.21.0



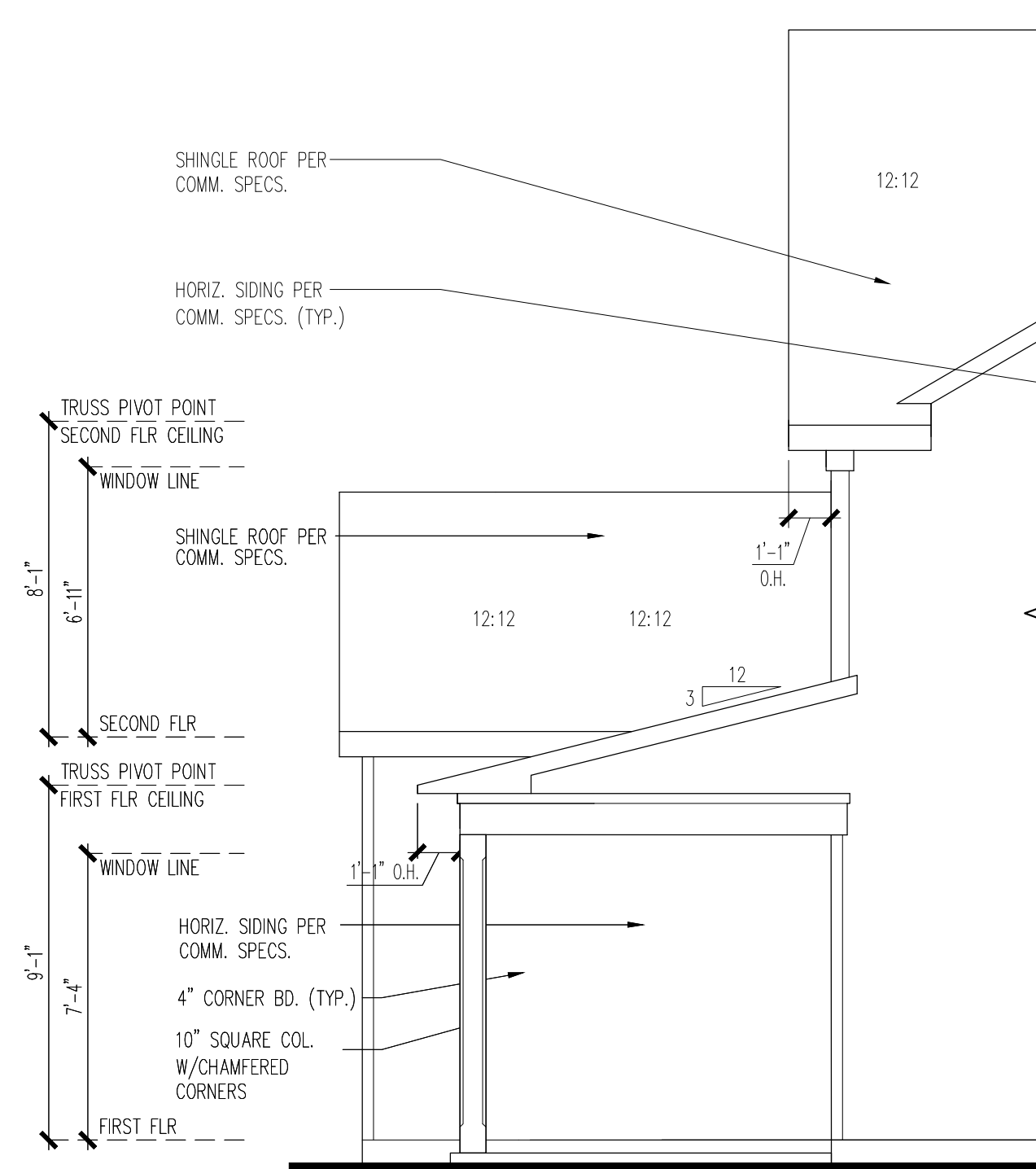
**PARTIAL LEFT SIDE ELEV 21
W/ OPT. 4' GARAGE EXTENSION**

SCALE : 1/4" = 1'-0"



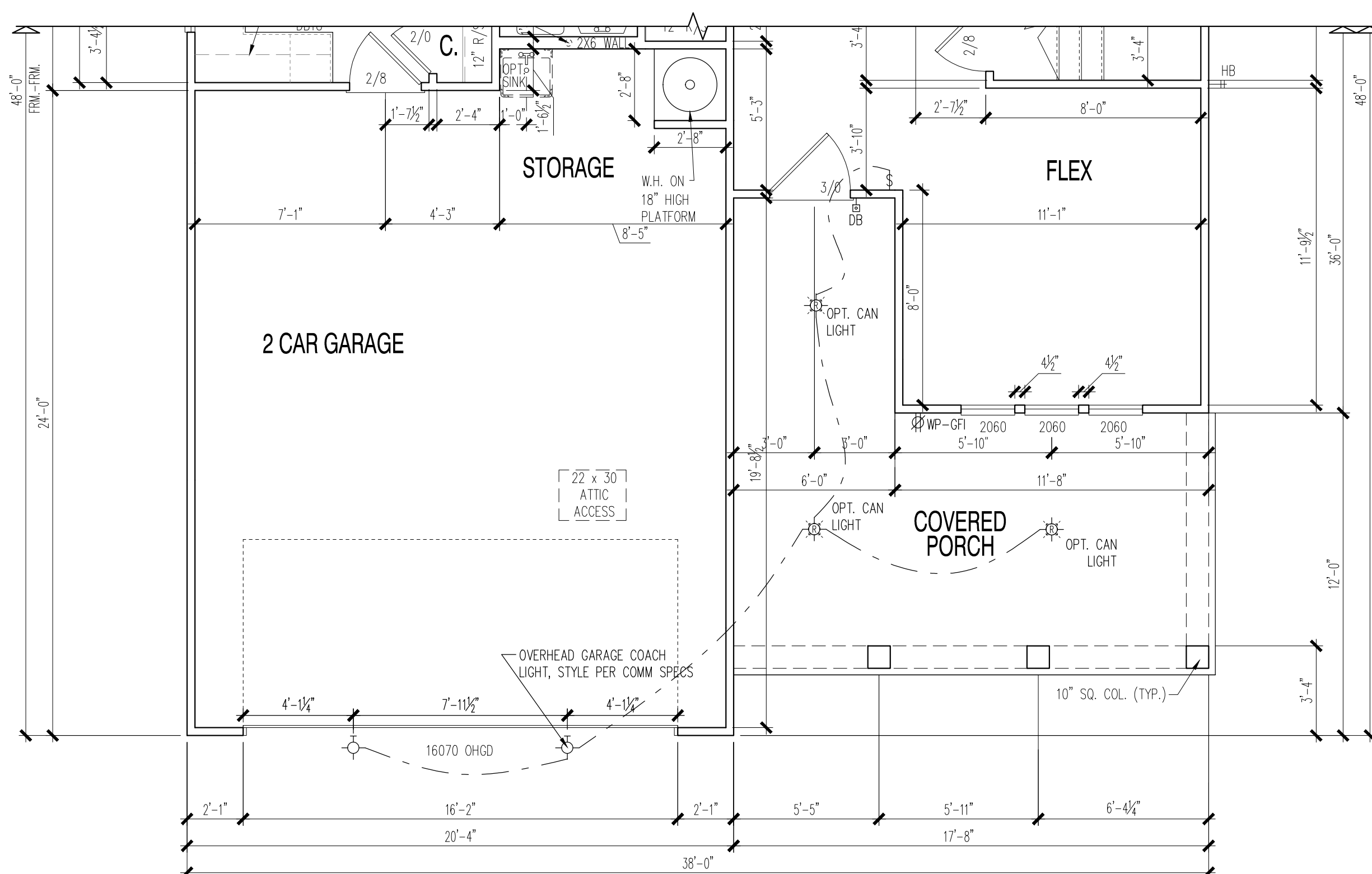
**FRONT ELEVATION 21
W/ OPT. 4' GARAGE EXTENSION**

SCALE : 1/4" = 1'-0"



**PARTIAL RIGHT SIDE ELEV 21
W/ OPT. 4' GARAGE EXTENSION**

SCALE : 1/4" = 1'-0"



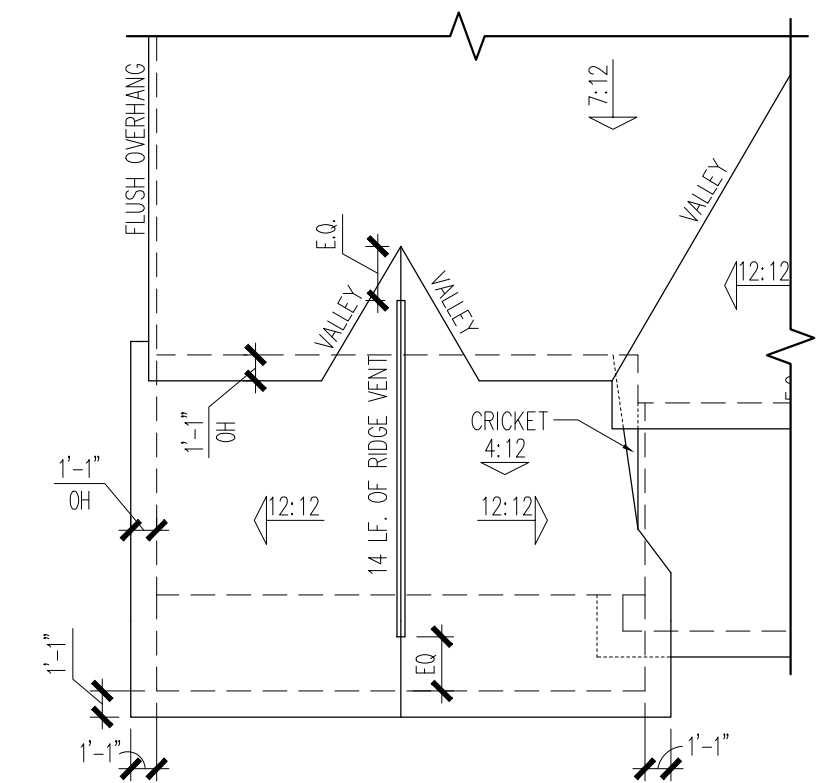
**PARTIAL FIRST FLOOR PLAN ELEV 21
W/ OPT. 4' GARAGE EXTENSION**

SCALE : 1/4" = 1'-0"

ATTIC VENTILATION: (300 SQ FT ATTIC SPACE / 1 SQ FT VENTILATION)
W/ 40%-50% REQ. VENTS GREATER THAN OR EQUAL TO 3' ABOVE
EAVE / CORNICE VENTS PER R806.2

ELEVATION "21" GARAGE W/ 4FT. EXT.	284 SQ FT UNDER ROOF ATTIC / 300 SQ FT / 1 SQ FT = 0.95 SQ FT VENTILATION
RIDGE VENT 18 SQ IN = (.125 SQ FT)	
BOX VENT 50 SQ IN = (.3472 SQ FT)	
SOFFIT VENT 9 SQ IN = (.0625 SQ FT)	
0.95 SQ FT x 50 % = 0.47350 FT RIDGE , 0.95 SQ FT x 50 % = 0.47350 FT SOFFIT	
RIDGE VENT	OR W/ HIP, BOX VENT
0.473 SQ FT = 3.8 FEET OF RIDGE VENT	0.473 SQ FT = 1.4 BOX VENT(S)
0.125 SQ FT	0.3472 SQ FT
SOFFIT VENT	
0.473 SQ FT = 7.6 FEET OF SOFFIT VENT	
0.0625 SQ FT	

*CALCULATIONS REFLECT 50 % RIDGE AND 50 % SOFFIT VENTS ALLOWABLE PER SECTION R806.2



**PARTIAL ROOF PLAN ELEV 21
W/ OPT. 4' GARAGE EXTENSION**

SCALE : 1/8" = 1'-0"

Newberry

FRONT ELEVATION 21 OPT. 4' FRONT GARAGE EXTENSION

PRODUCT MANAGER

INITIAL RELEASE DATE:

REV#	DATE/DESCRIPTION

PROJECT TYPE
Single Family

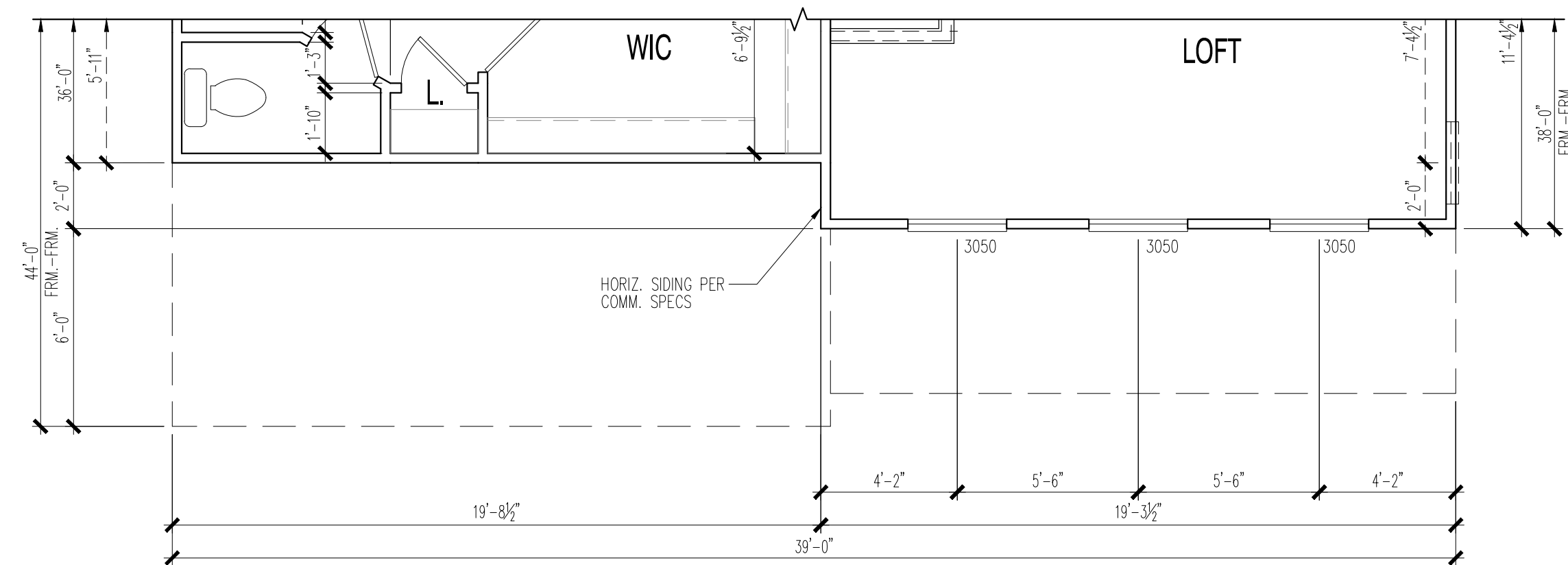
PLAN NAME
Newberry

SHEET
3.21.1



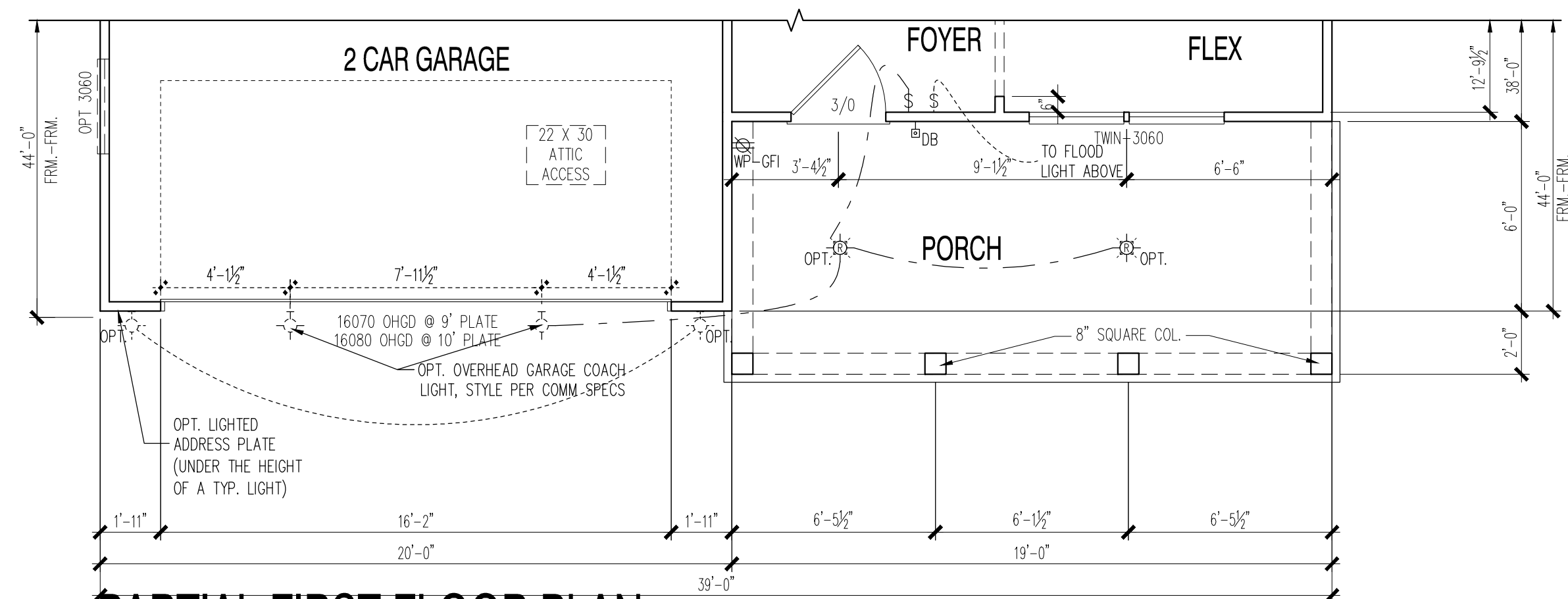
FRONT ELEVATION 15

SCALE : 1/4" = 1'-0"



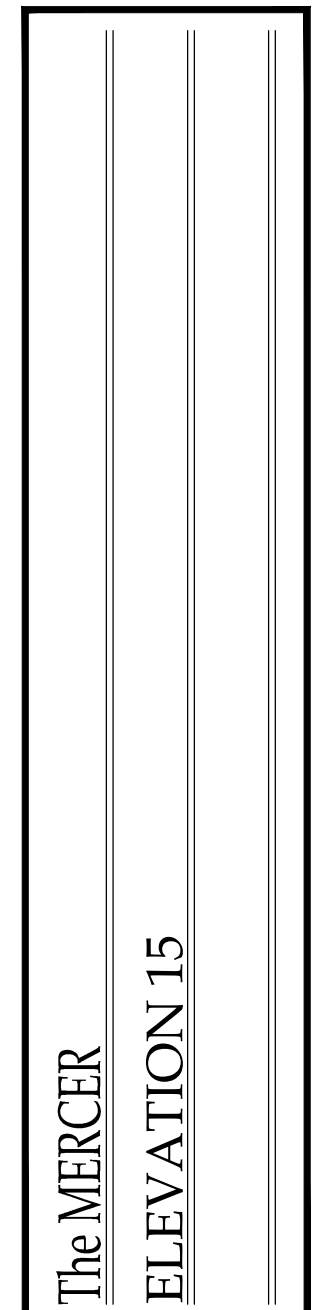
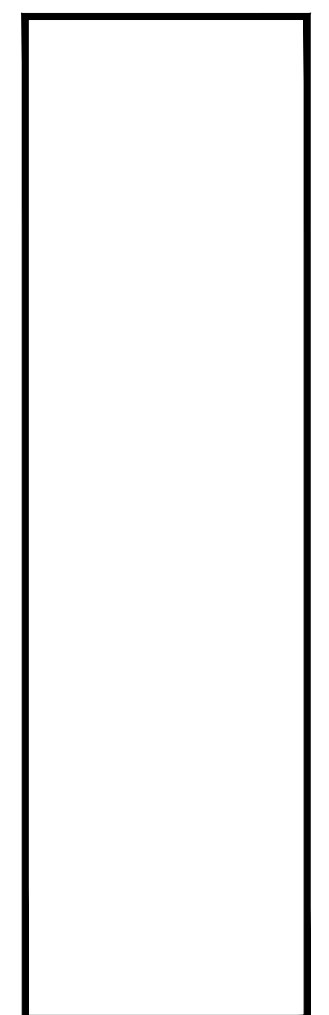
PARTIAL SECOND FLOOR PLAN

SCALE : 1/4" = 1'-0"



PARTIAL FIRST FLOOR PLAN

SCALE : 1/4" = 1'-0"

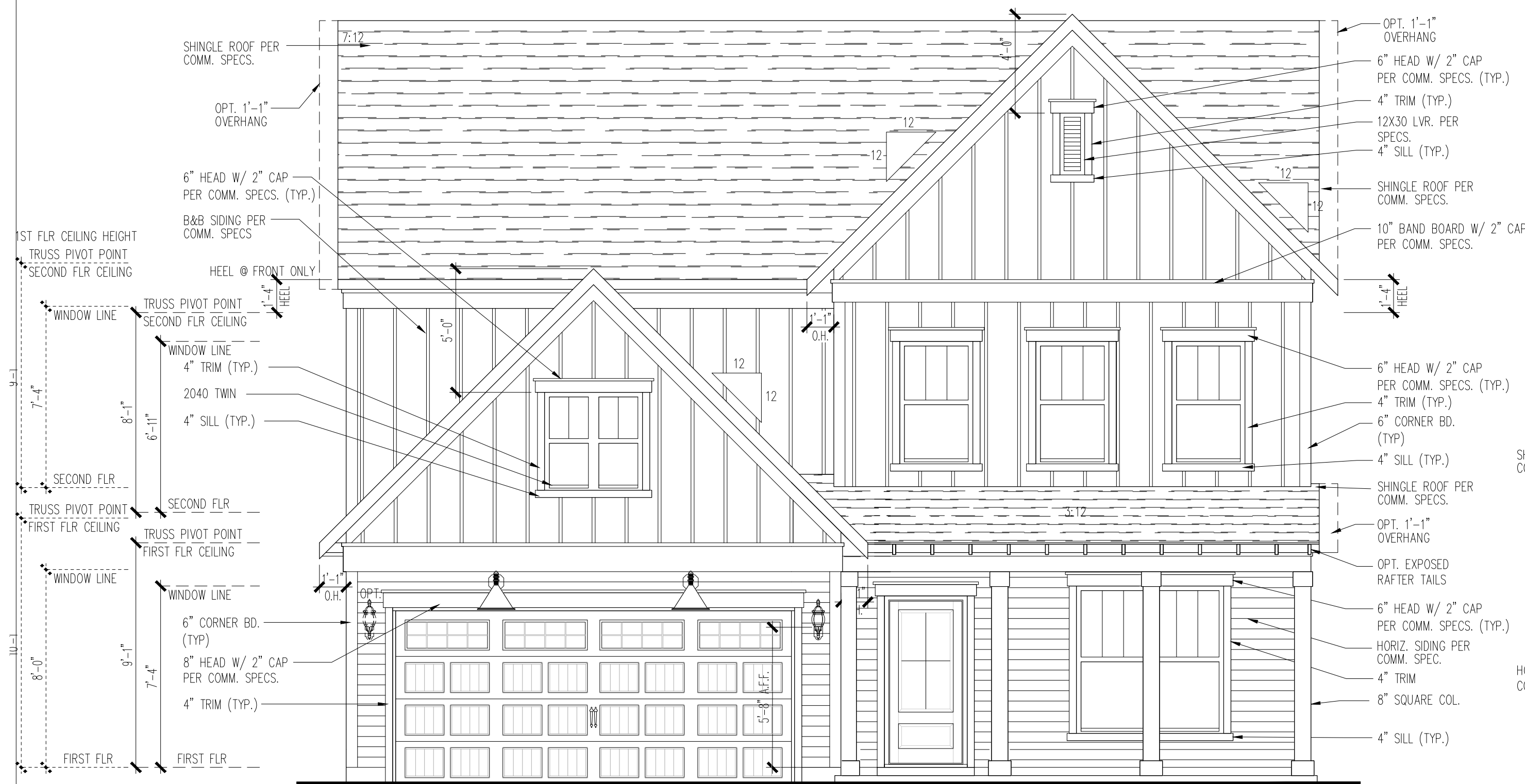


PRODUCT MANAGER	
INITIAL RELEASE	
DATE:	
REV#	DATE/DESCRIPTION
△	
△	
△	
△	
△	
△	
△	

PROJECT TYPE
Single Family

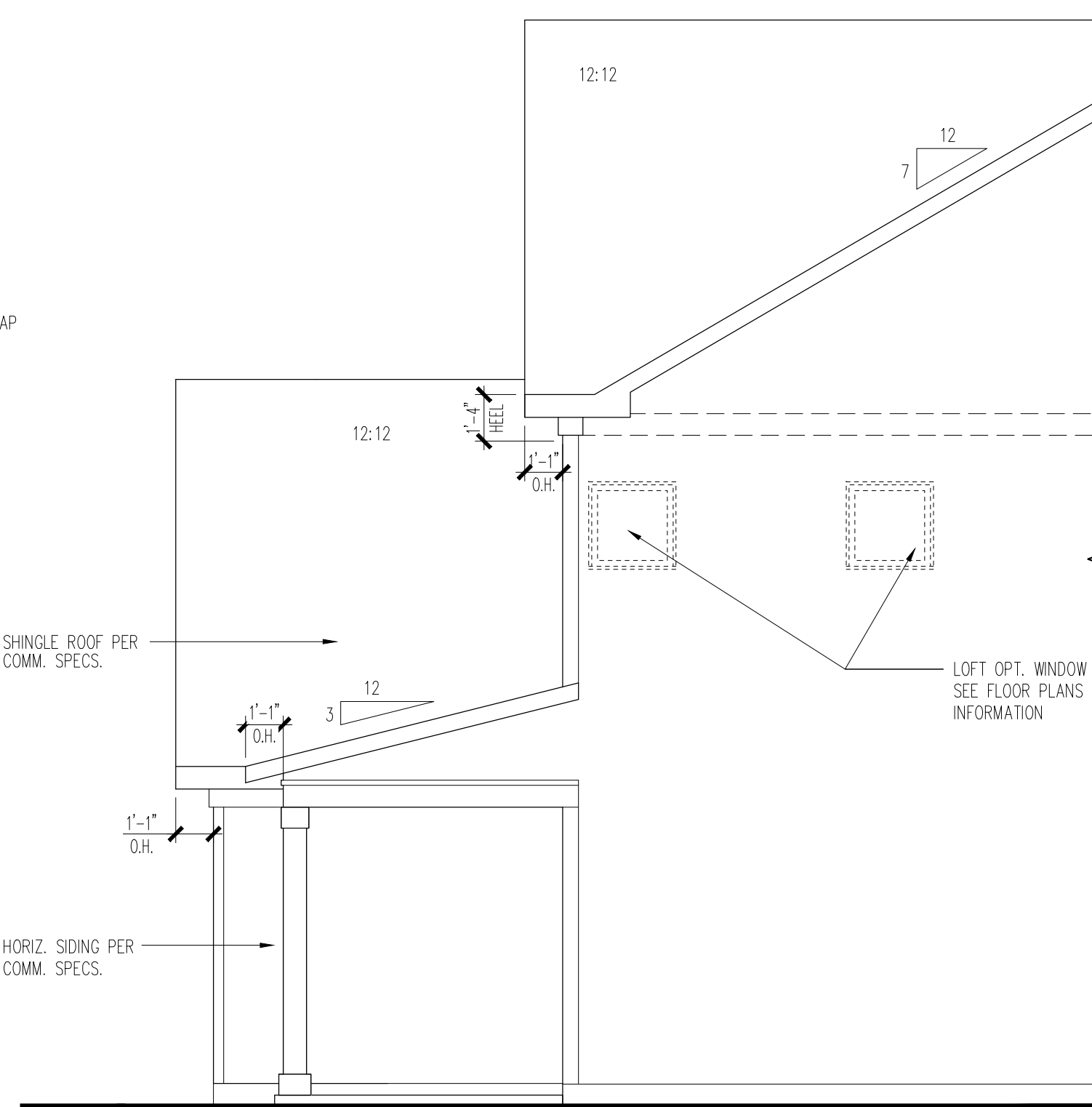
PLAN NAME
Mercer

SHEET
3.15



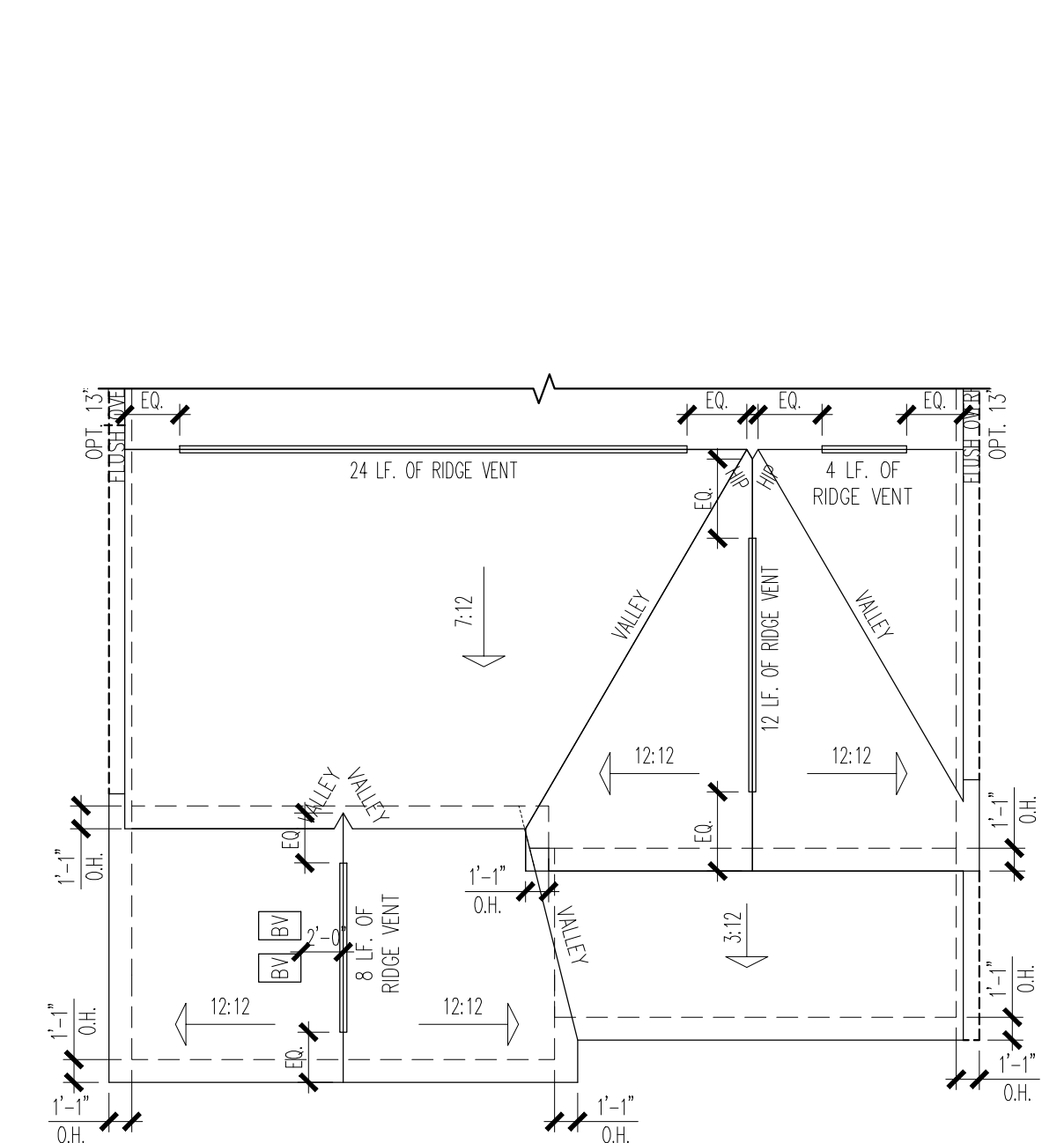
FRONT ELEVATION 15 W/ OPT. 4' GARAGE EXTENSION

SCALE : 1/4" = 1'-0"



PARTIAL RIGHT SIDE ELEVATION

SCALE : 1/4" = 1'-0"



ROOF PLAN

SCALE : 1/8" = 1'-0"

ATTIC VENTILATION: (300 SQ FT ATTIC SPACE / 1 SQ FT VENTILATION)
W/ 40%-50% REQ. VENTS GREATER THAN OR EQUAL TO 3" ABOVE
EAVE / CORNICE VENTS PER R806.2

4FT GARAGE EXT. 160 SQ FT UNDER ROOF ATTIC /
300 SQ FT / 1 SQ FT = 0.53 SQ FT VENTILATION

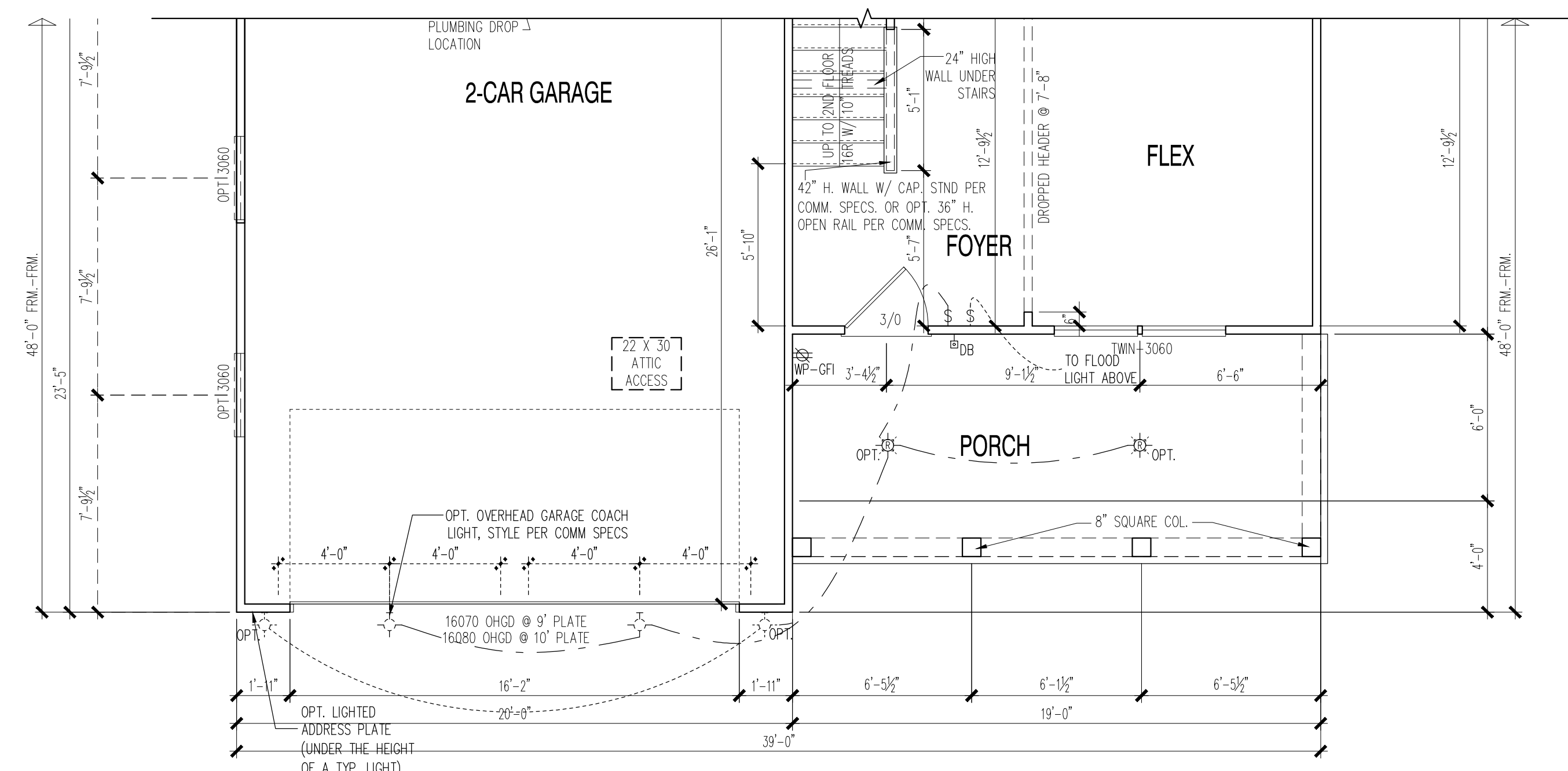
RIDGE VENT 18 SQ IN = (.125 SQ FT)
BOX VENT 50 SQ IN = (.3472 SQ FT)
SOFFIT VENT 9 SQ IN = (.0625 SQ FT)

0.53 SQ FT x 50 % = 0.26750 FT RIDGE, 0.53 SQ FT x 50 % = 0.26750 FT SOFFIT
OR W/ HIP, BOX VENT

0.267 SQ FT = 2.1 FEET OF RIDGE VENT 0.267 SQ FT = 0.8 BOX VENT(S)
0.125 SQ FT 0.3472 SQ FT

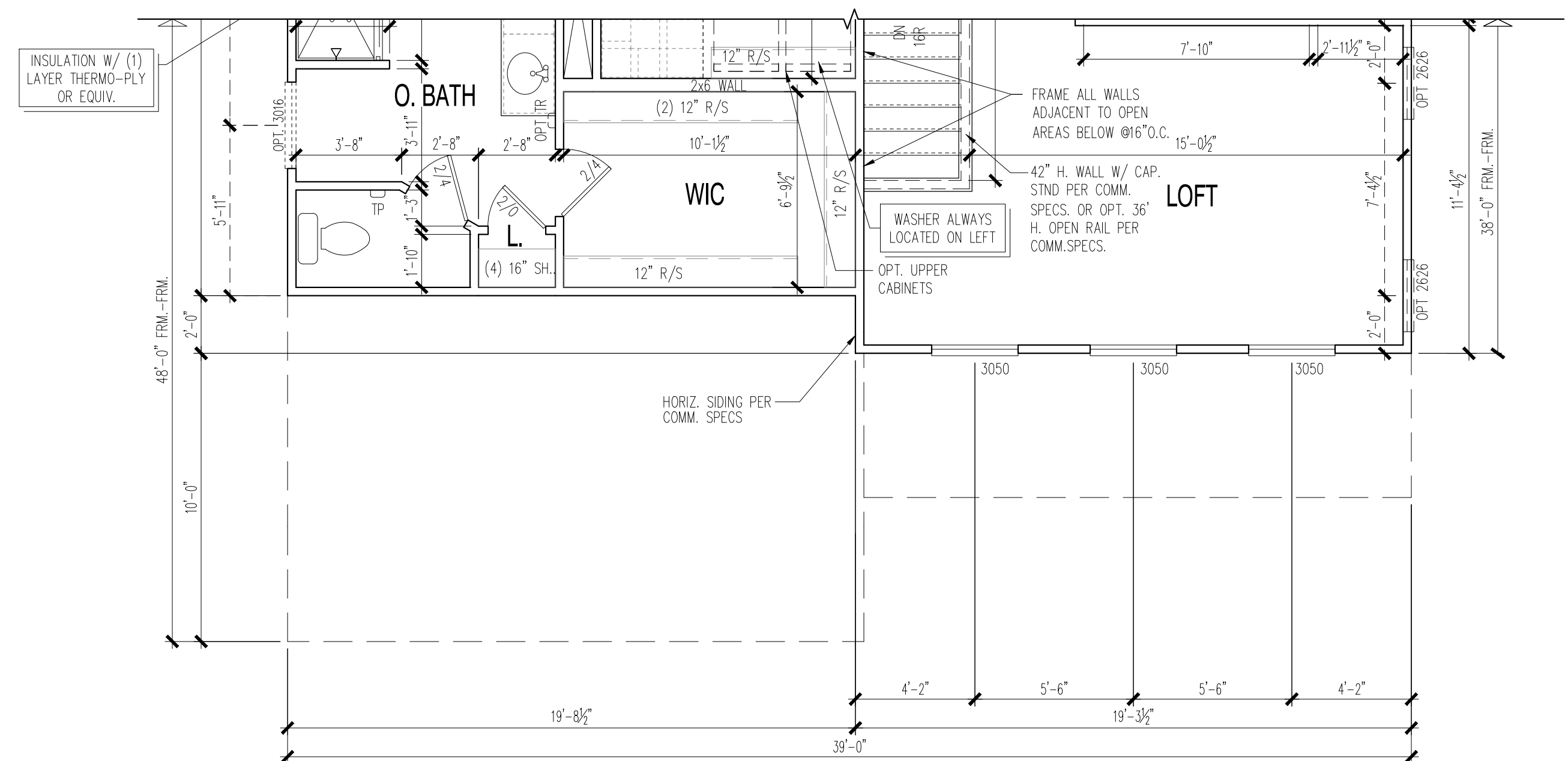
SOFFIT VENT
0.267 SQ FT = 4.3 FEET OF SOFFIT VENT
0.0625 SQ FT

*CALCULATIONS REFLECT 50 % RIDGE AND 50 % SOFFIT VENTS ALLOWABLE PER SECTION R806.2



PARTIAL FIRST FLOOR PLAN

SCALE : 1/4" = 1'-0"



PARTIAL SECOND FLOOR PLAN

SCALE : 1/4" = 1'-0"

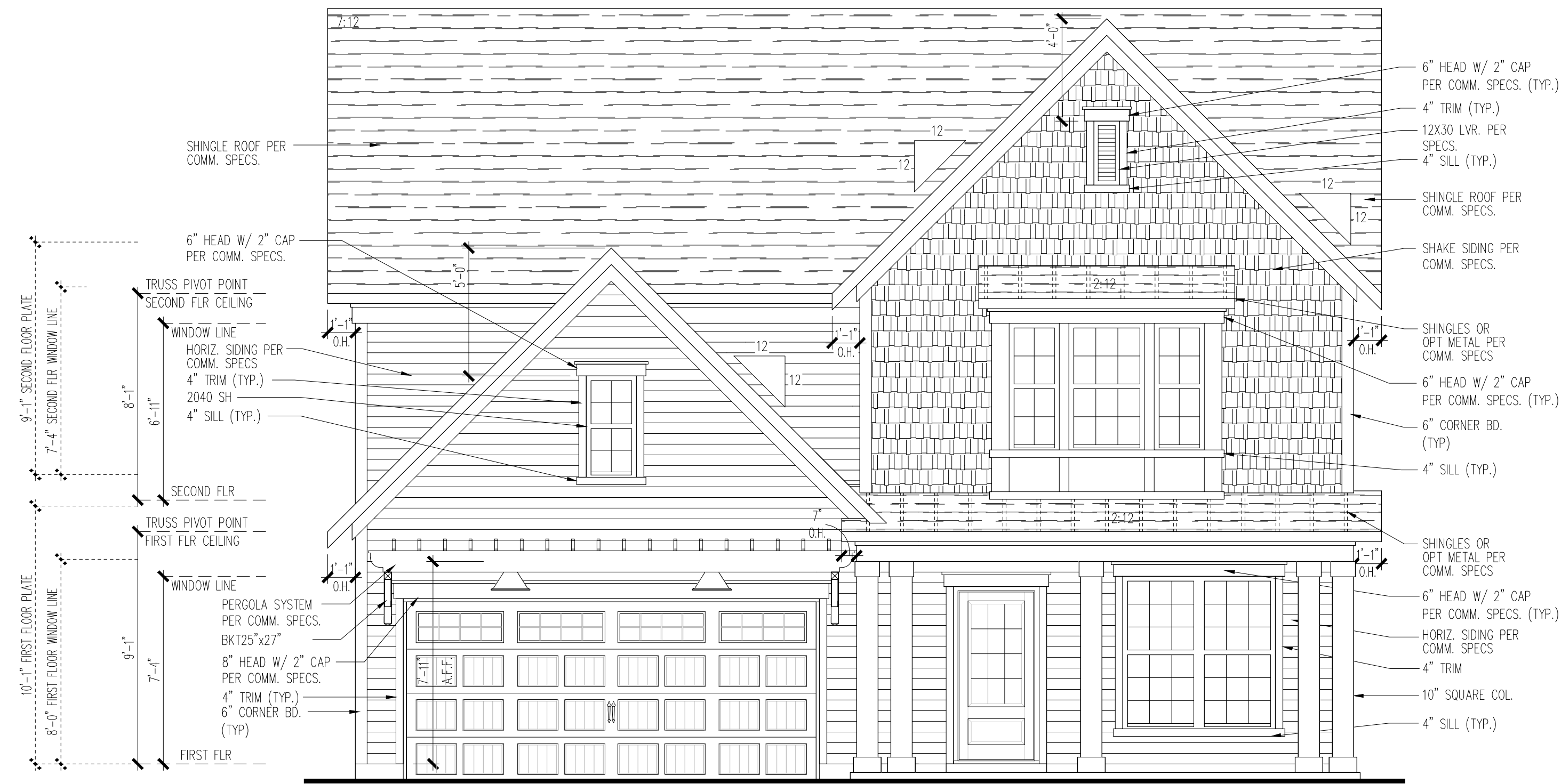
The MERCER
ELEVATION 15 W OPT. 4' GARAGE EXTENSION

PRODUCT MANAGER
INITIAL RELEASE DATE:
REV# DATE/DESCRIPTION

PROJECT TYPE
Single Family

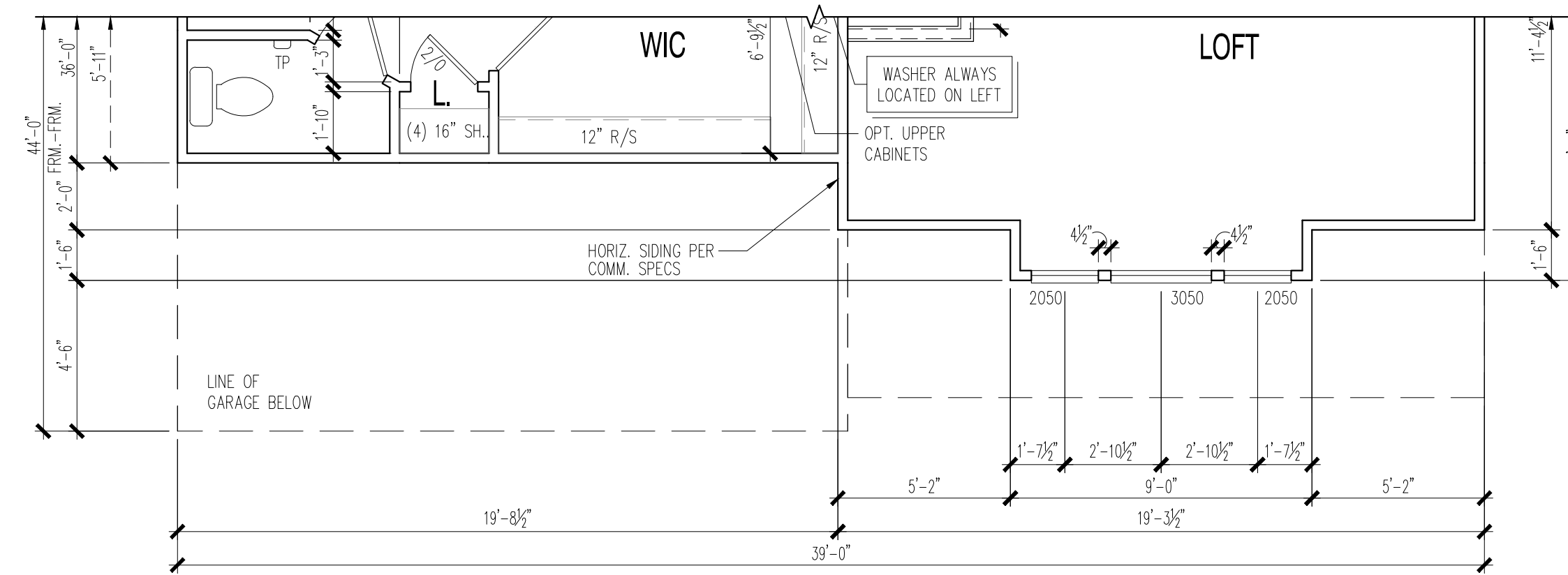
PLAN NAME
Mercer

SHEET
3.15.1



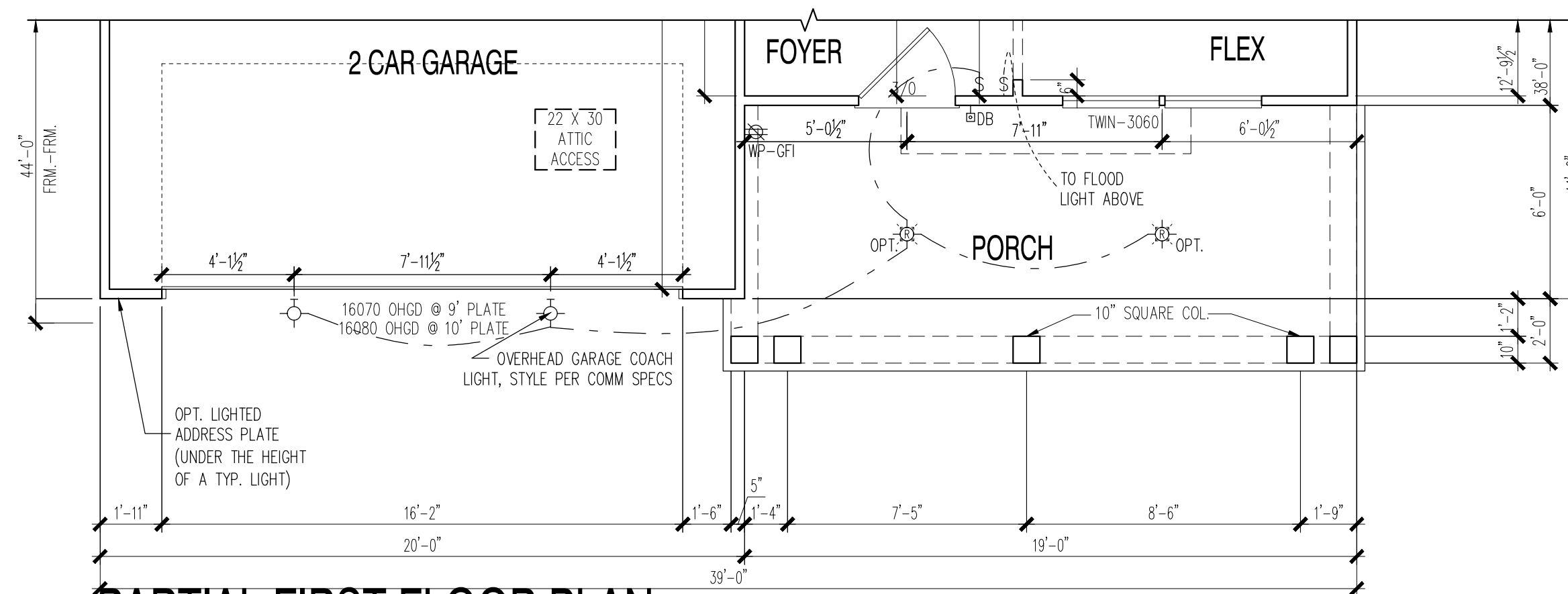
FRONT ELEVATION 18

SCALE : 1/4" = 1'-0"



PARTIAL SECOND FLOOR PLAN

SCALE : 1/4" = 1'-0"



PARTIAL FIRST FLOOR PLAN

SCALE : 1/4" = 1'-0"

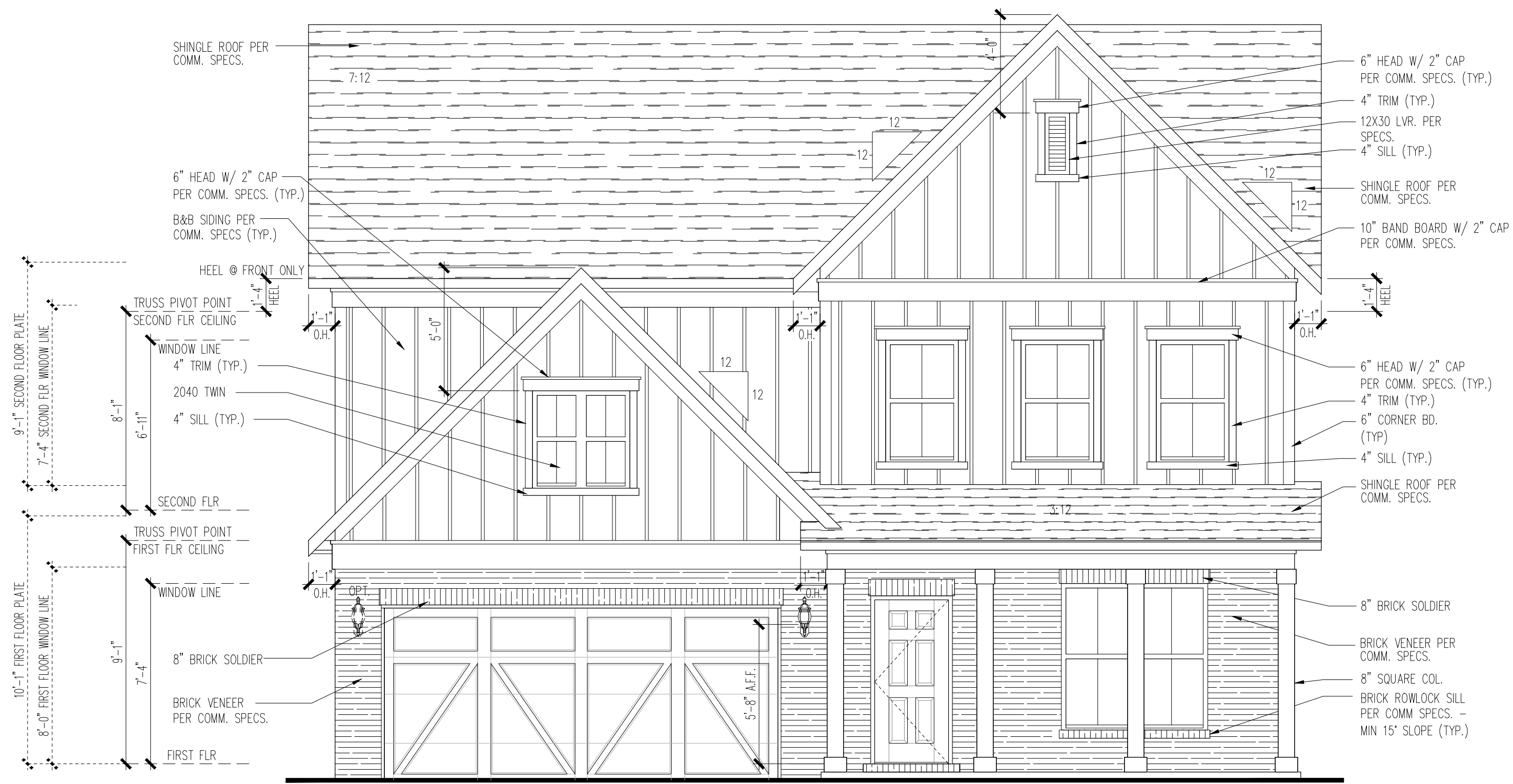
The MERCER
ELEVATION 18

PRODUCT MANAGER	
INITIAL RELEASE	
DATE:	
REV#	DATE/DESCRIPTION
△	
△	
△	
△	
△	
△	
△	

PROJECT TYPE
Single Family

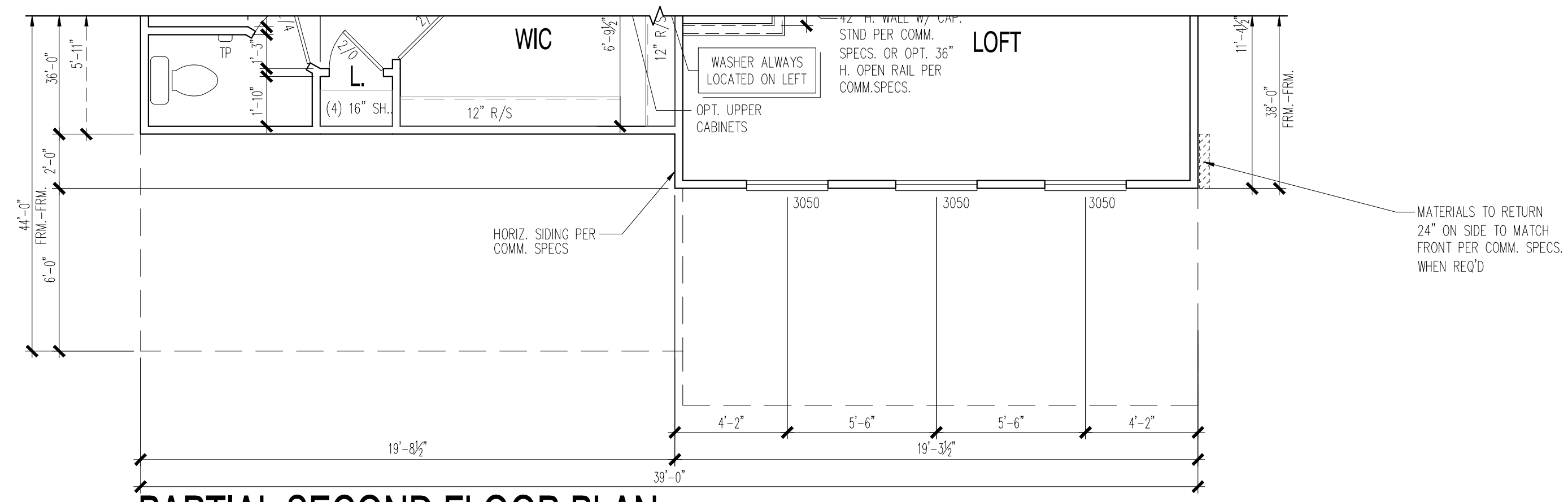
PLAN NAME
Mercer

SHEET
3.18



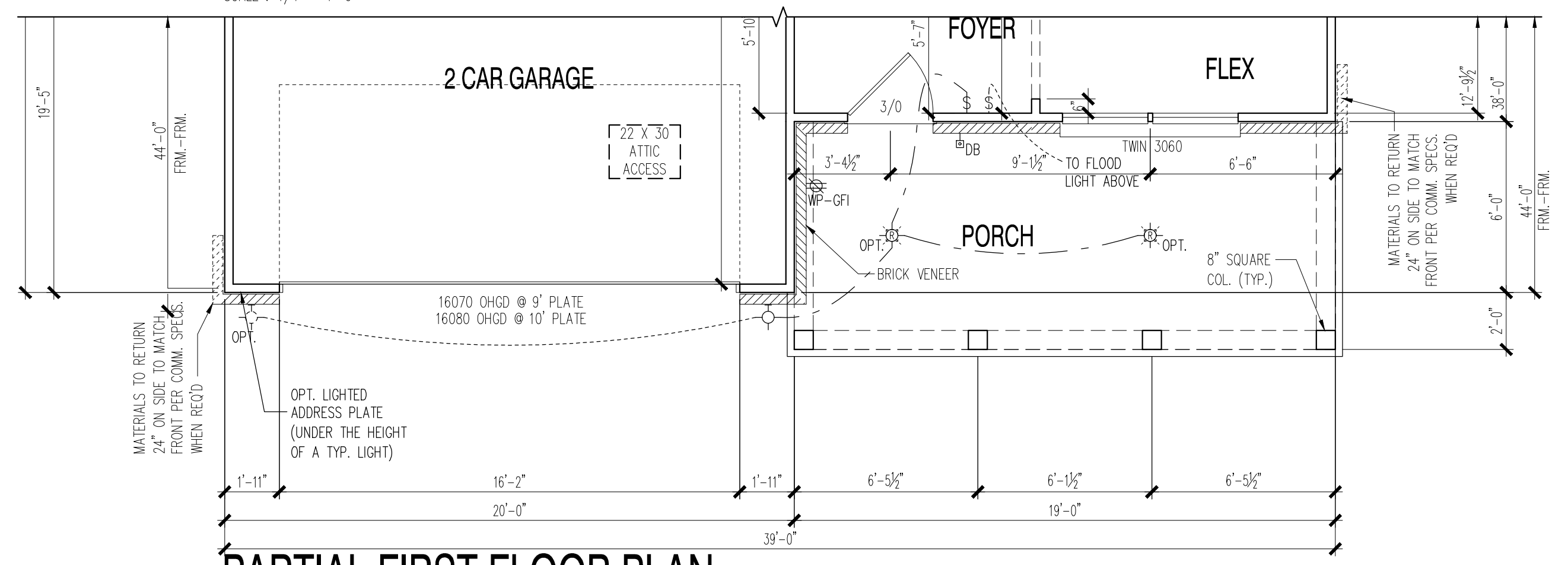
FRONT ELEVATION 25

SCALE : 1/4" = 1'-0"



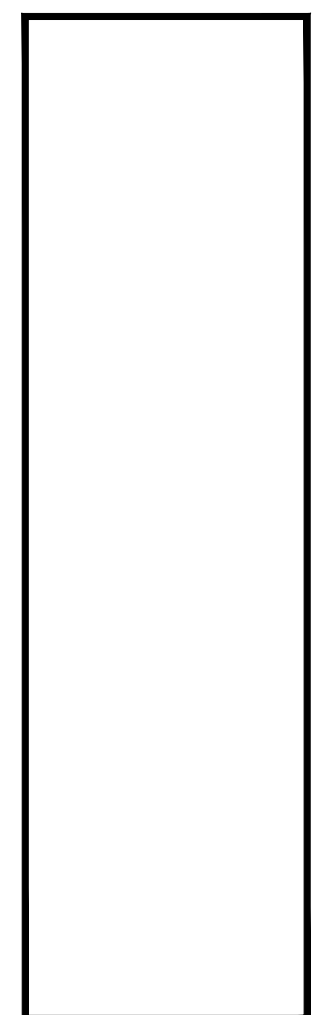
PARTIAL SECOND FLOOR PLAN

SCALE : 1/4" = 1'-0"



PARTIAL FIRST FLOOR PLAN

SCALE : 1/4" = 1'-0"



The MERCER
ELEVATION 25

PRODUCT MANAGER	
INITIAL RELEASE DATE:	
REV#	DATE/DESCRIPTION
△	
△	
△	
△	
△	
△	
△	

PROJECT TYPE
Single Family

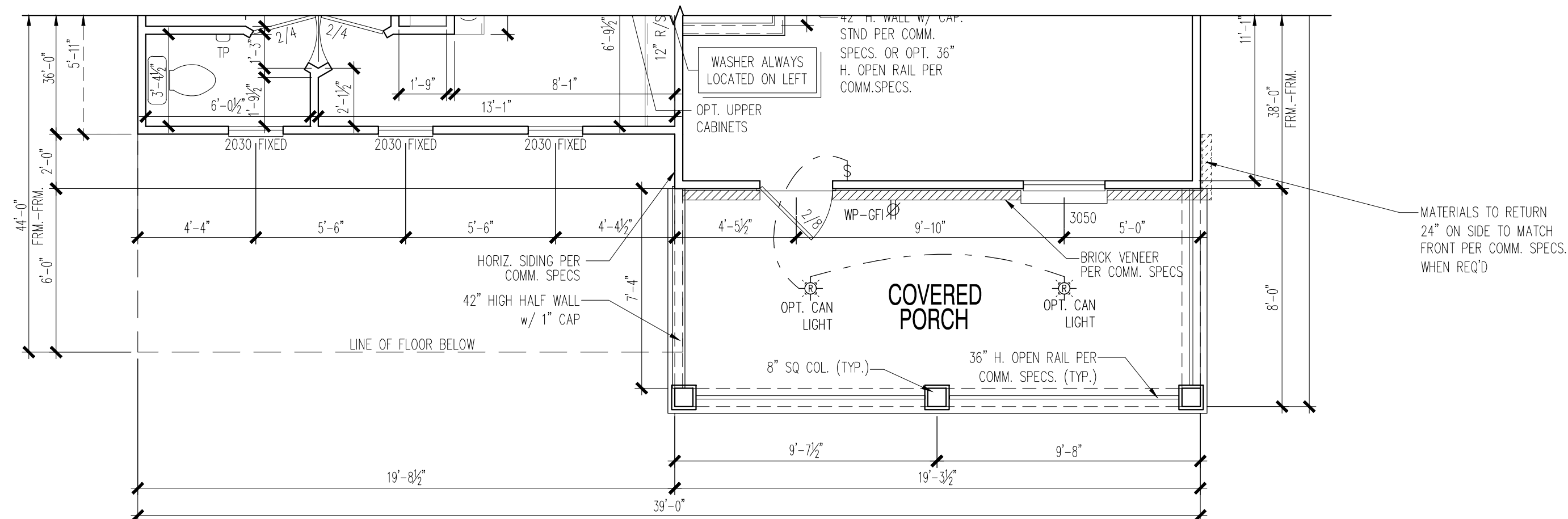
PLAN NAME
Mercer

SHEET
3.25



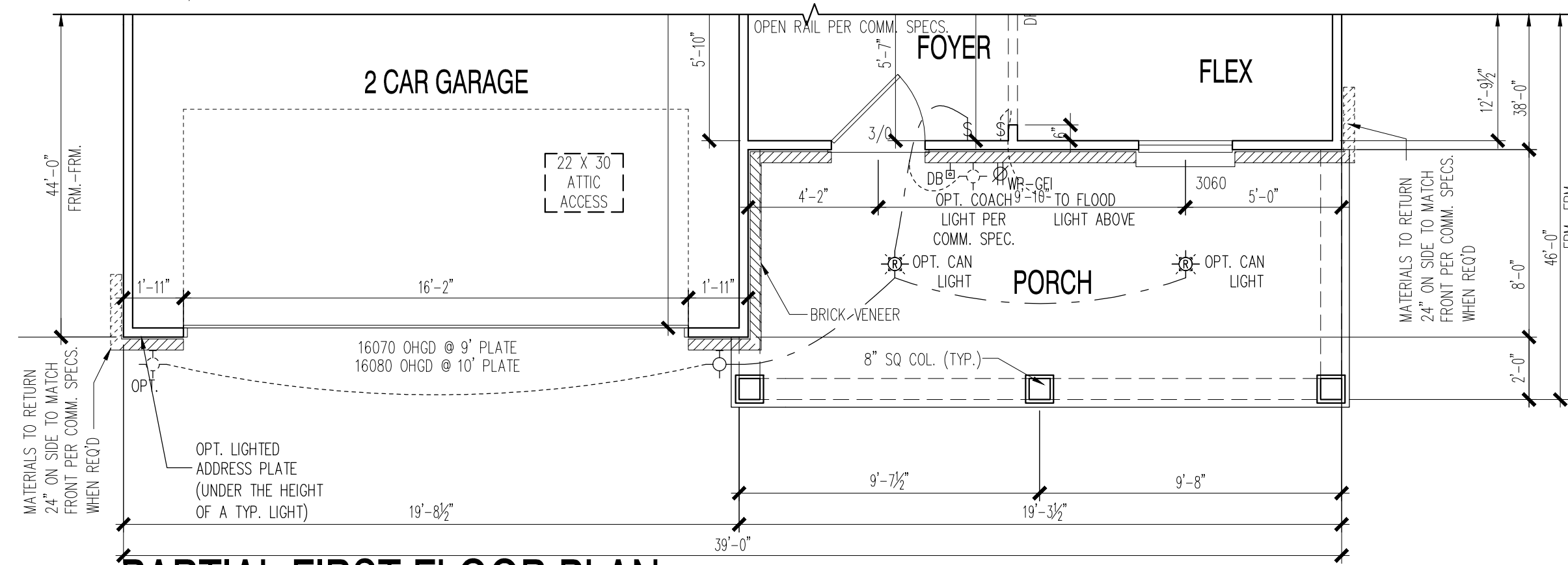
FRONT ELEVATION 26

SCALE : 1/4" = 1'-0"



PARTIAL SECOND FLOOR PLAN

SCALE : 1/4" = 1'-0"



PARTIAL FIRST FLOOR PLAN

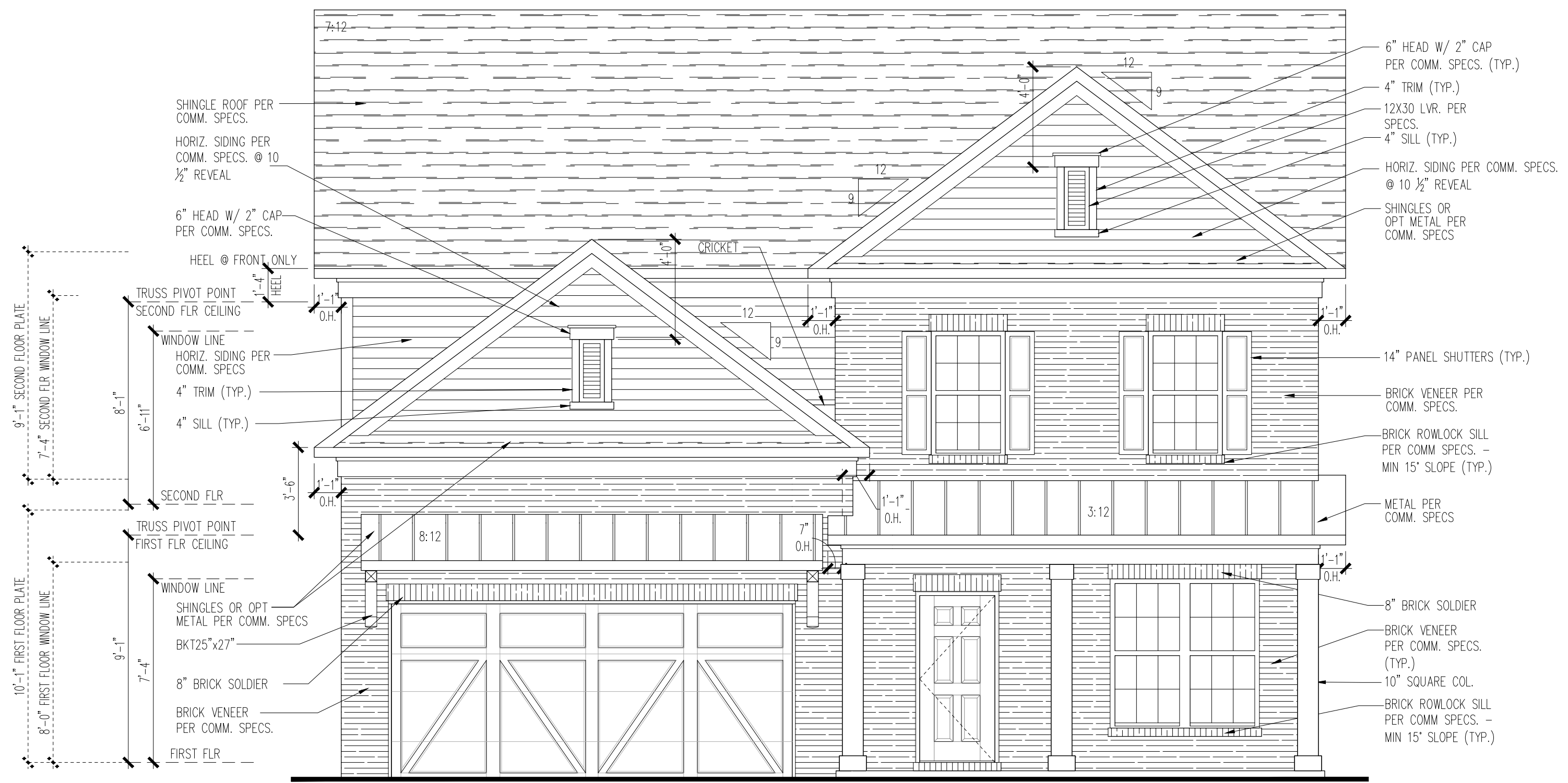
SCALE : 1/4" = 1'-0"

PRODUCT MANAGER	
INITIAL RELEASE	
DATE:	
REV#	DATE/DESCRIPTION
△	
△	
△	
△	
△	
△	
△	

PROJECT TYPE
Single Family

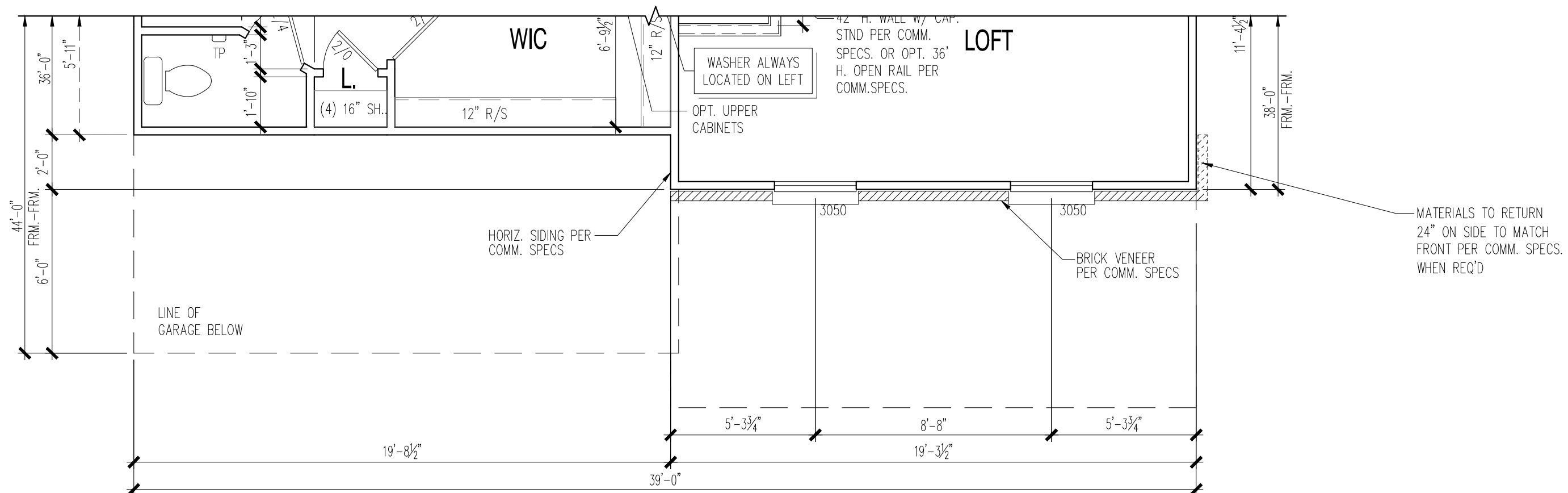
PLAN NAME
Mercer

SHEET
3.26



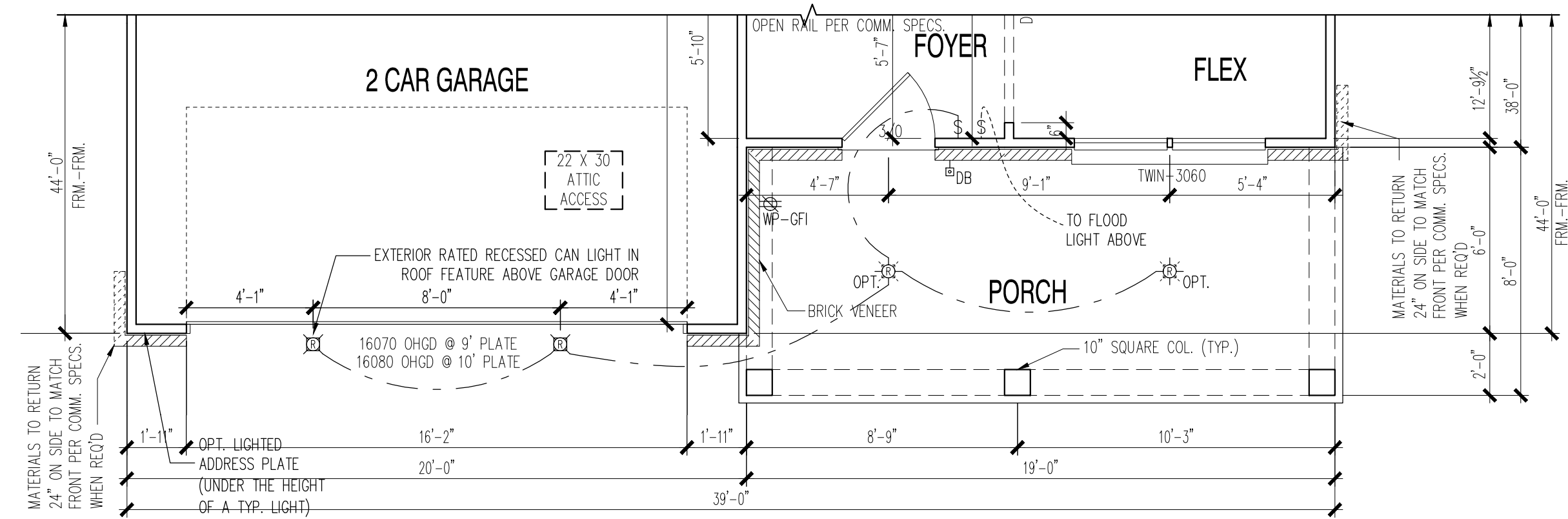
FRONT ELEVATION 27

SCALE : 1/4" = 1'-0"



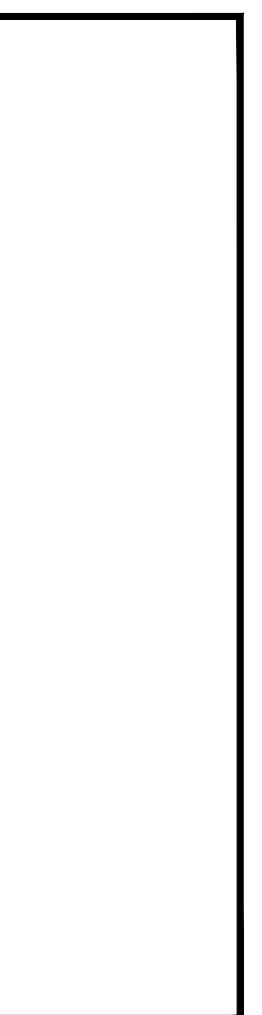
PARTIAL SECOND FLOOR PLAN

SCALE : 1/4" = 1'-0"



PARTIAL FIRST FLOOR PLAN

SCALE : 1/4" = 1'-0"

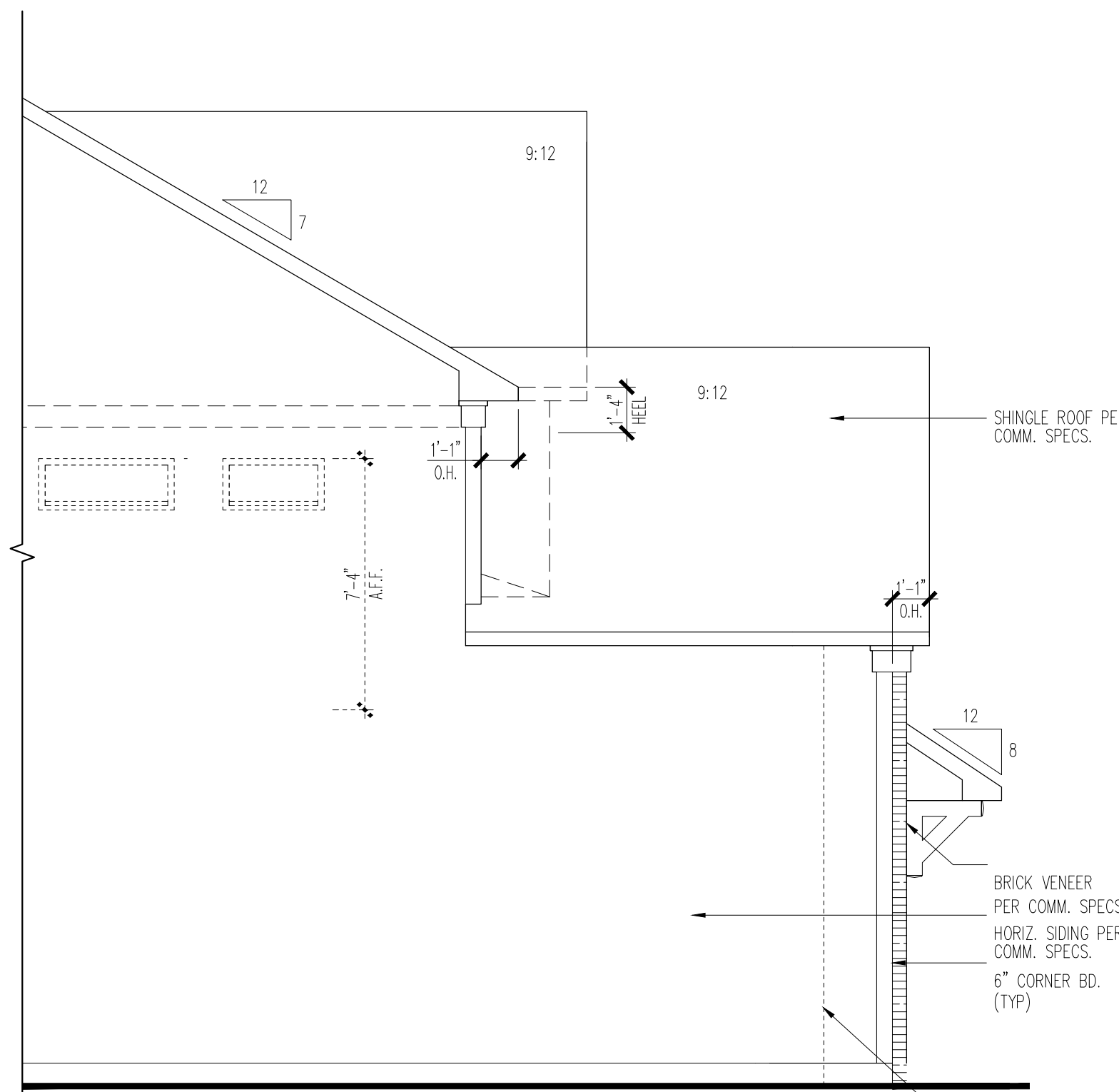


PRODUCT MANAGER	
INITIAL RELEASE	
DATE:	
REV#	DATE/DESCRIPTION
△	
△	
△	
△	
△	
△	
△	

PROJECT TYPE
Single Family

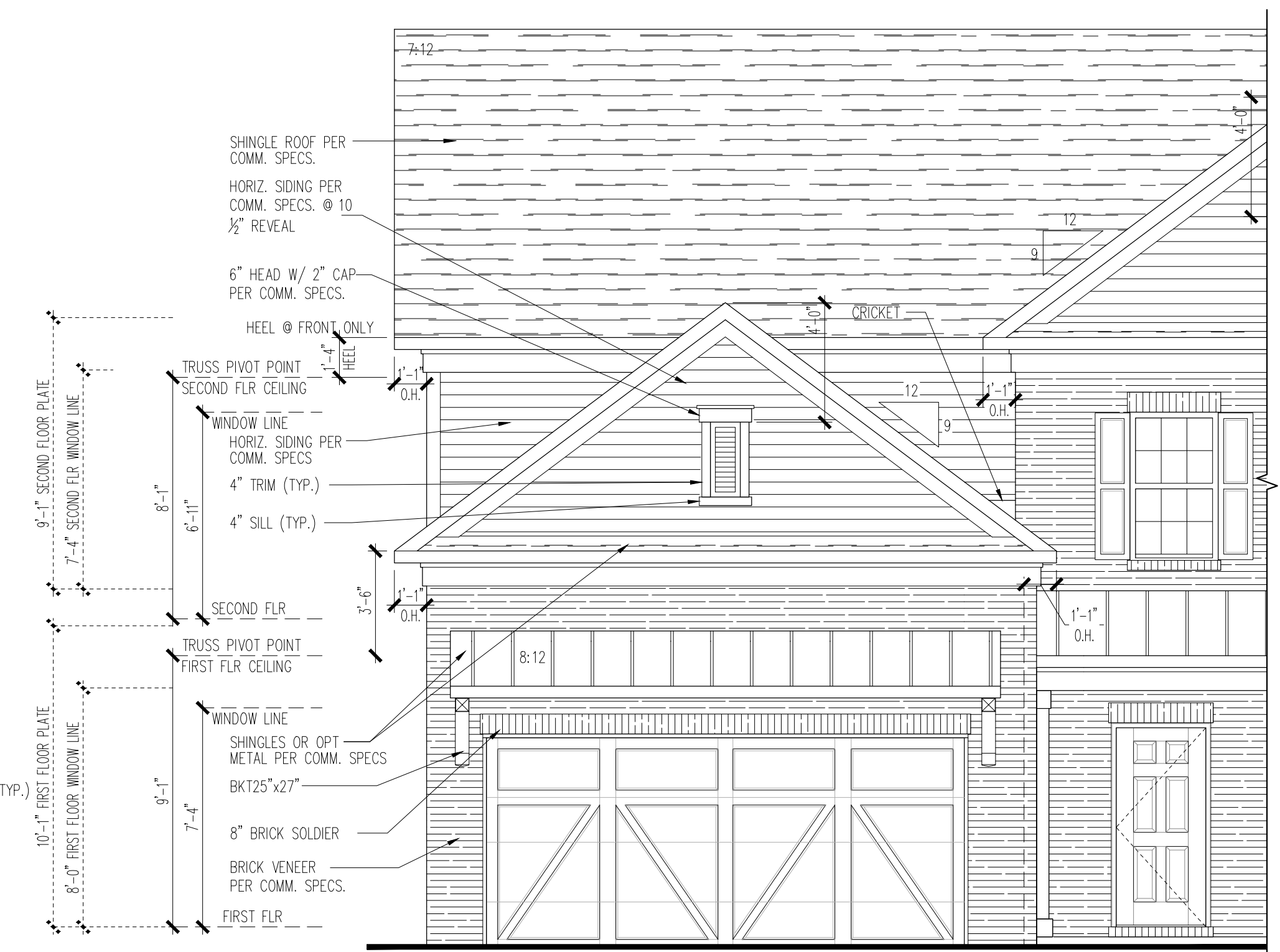
PLAN NAME
Mercer

SHEET
3.27



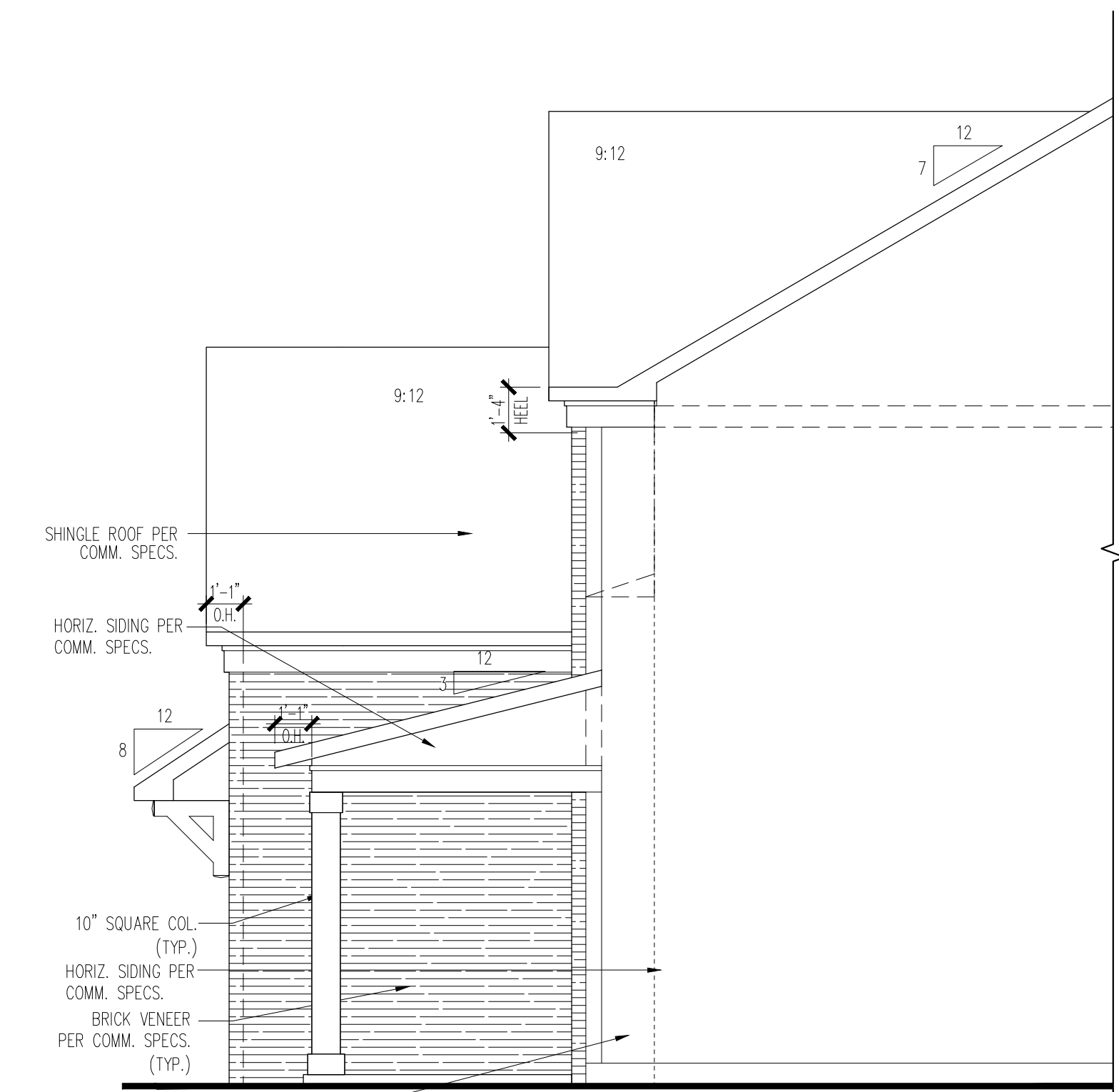
PARTIAL LEFT SIDE ELEVATION

SCALE : 1/4" = 1'-0"



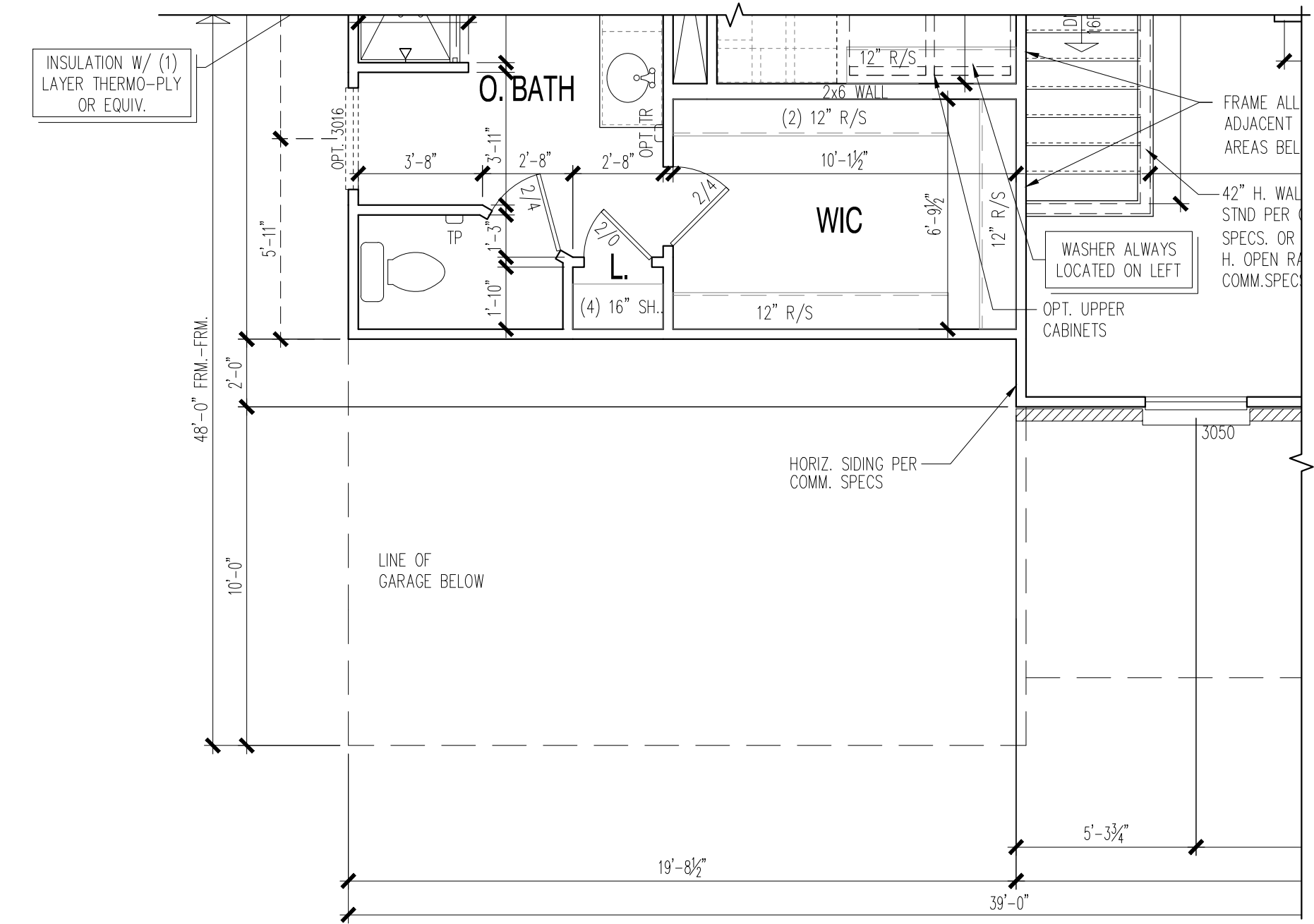
**PART. FRONT ELEVATION 27
W/ OPT. 4' GARAGE EXTENSION**

SCALE : 1/4" = 1'-0"



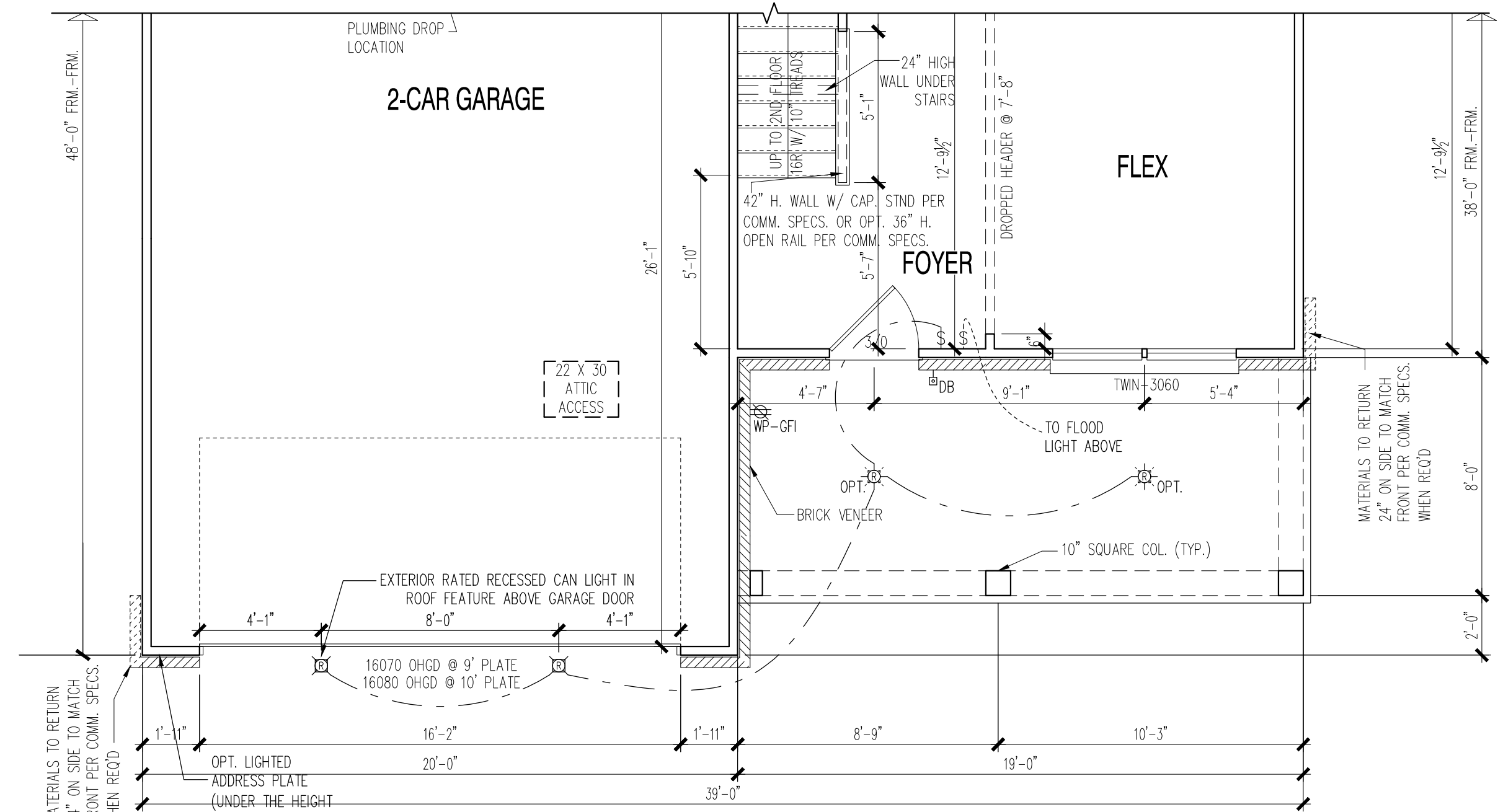
PARTIAL RIGHT SIDE ELEVATION

SCALE : 1/4" = 1'-0"



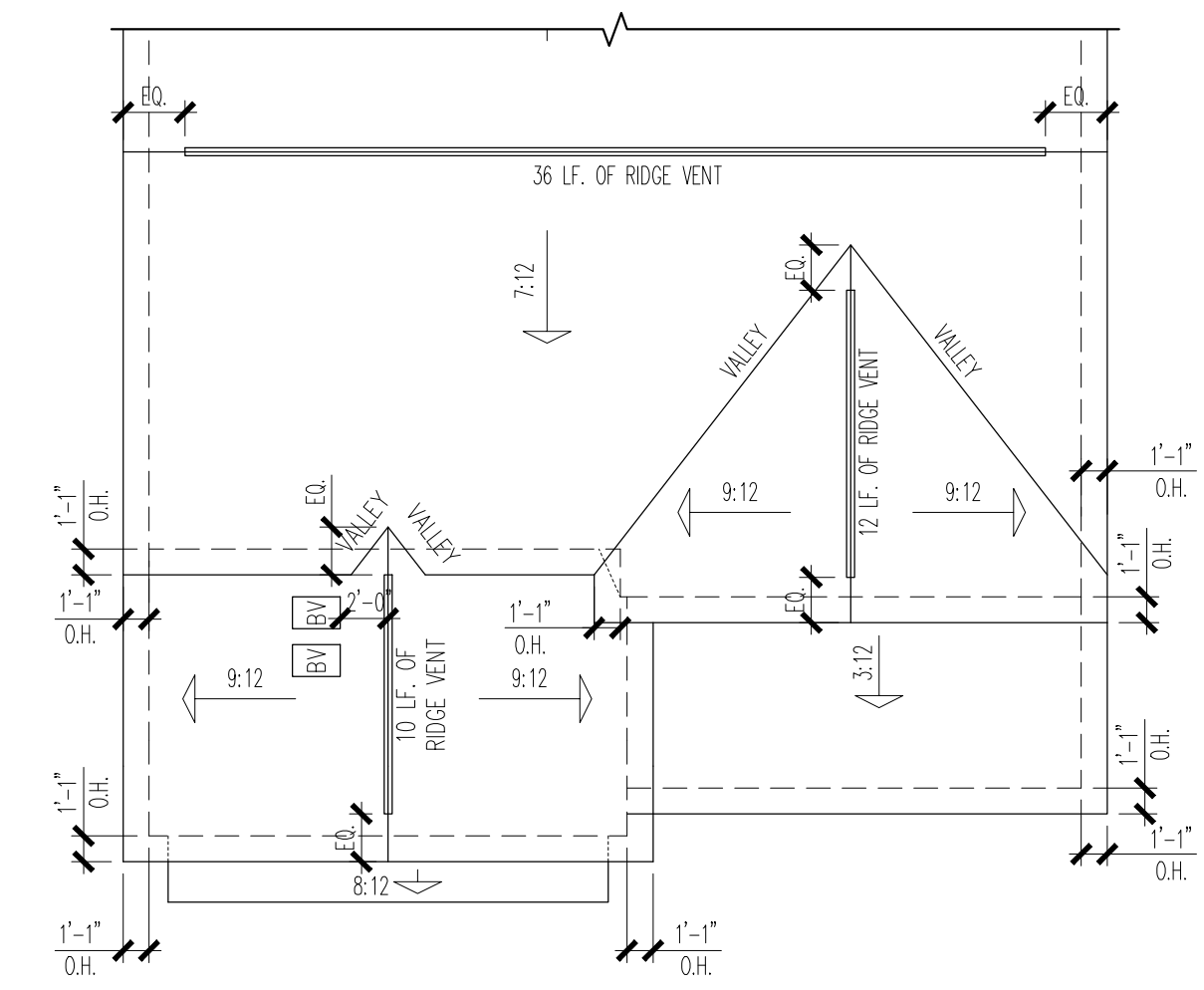
PARTIAL SECOND FLOOR PLAN

SCALE : 1/4" = 1'-0"



PARTIAL FIRST FLOOR PLAN

SCALE : 1/4" = 1'-0"



PART. ROOF PLAN

SCALE : 1/8" = 1'-0"

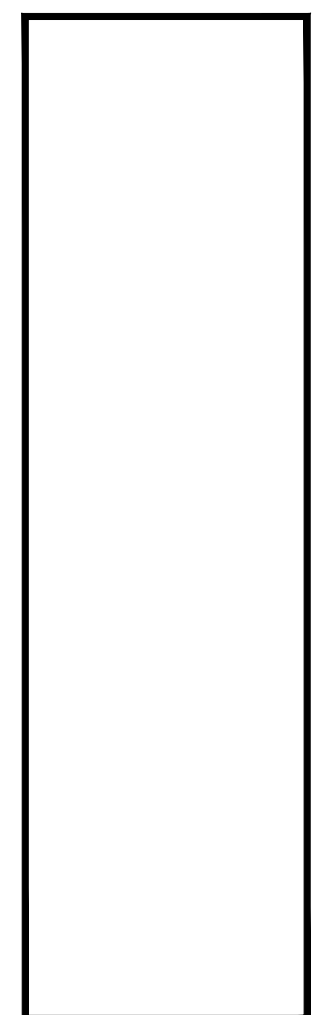
ATTIC VENTILATION : (300 SQ FT ATTIC SPACE / 1 SQ FT VENTILATION)
W/ 40%-50% REQ. VENTS GREATER THAN OR EQUAL TO 3' ABOVE EAVE / CORNICE VENTS PER R806.2

4FT GARAGE EXT. 160 SQ FT UNDER ROOF ATTIC / 300 SQ FT / 1 SQ FT = 0.53 SQ FT VENTILATION

RIDGE VENT 18 SQ IN = (.125 SQ FT)
BOX VENT 50 SQ IN = (.3472 SQ FT)
SOFFIT VENT 9 SQ IN = (.0625 SQ FT)

0.53 SQ FT x 50% = 0.2675 SQ FT RIDGE, 0.53 SQ FT x 50% = 0.2675 SQ FT SOFFIT
RIDGE VENT OR W/ HIP, BOX VENT
0.267 SQ FT = 2.1 FEET OF RIDGE VENT 0.267 SQ FT = 0.8 BOX VENT(S)
0.125 SQ FT
SOFFIT VENT
0.267 SQ FT = 4.3 FEET OF SOFFIT VENT
0.0625 SQ FT

*CALCULATIONS REFLECT 50 % RIDGE AND 50 % SOFFIT VENTS ALLOWABLE PER SECTION R806.2



ELEVATION 27 W OPT. 4' GARAGE EXTENSION

PRODUCT MANAGER

INITIAL RELEASE DATE:

REV#	DATE/DESCRIPTION

PROJECT TYPE
Single Family

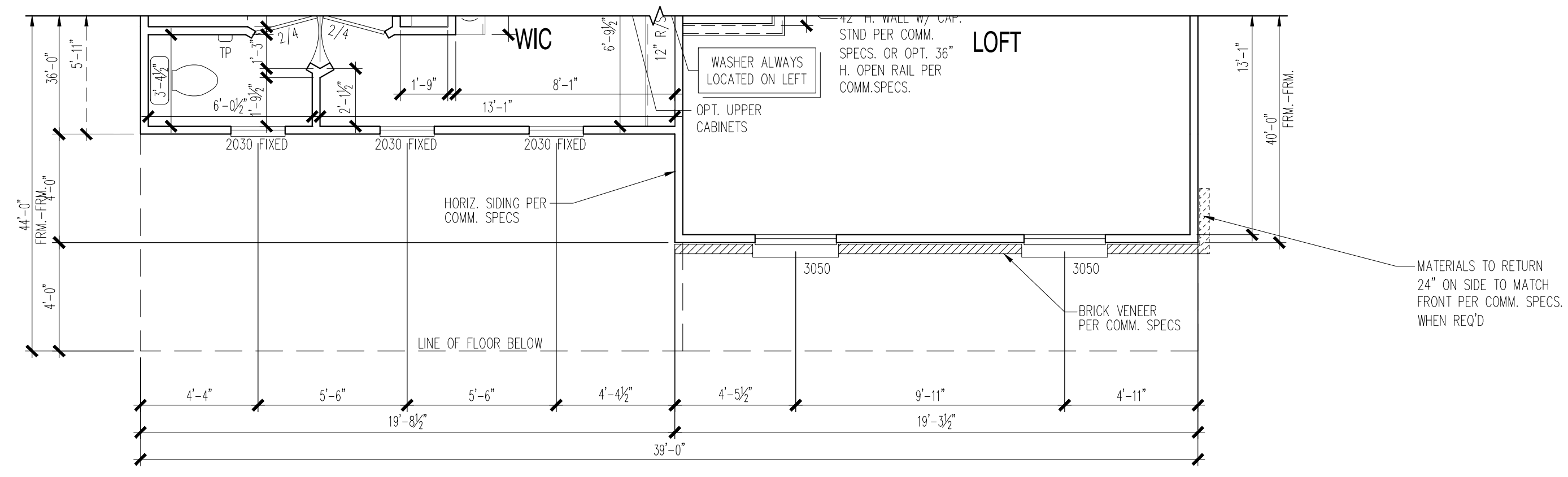
PLAN NAME
Mercer

SHEET
3.27.1



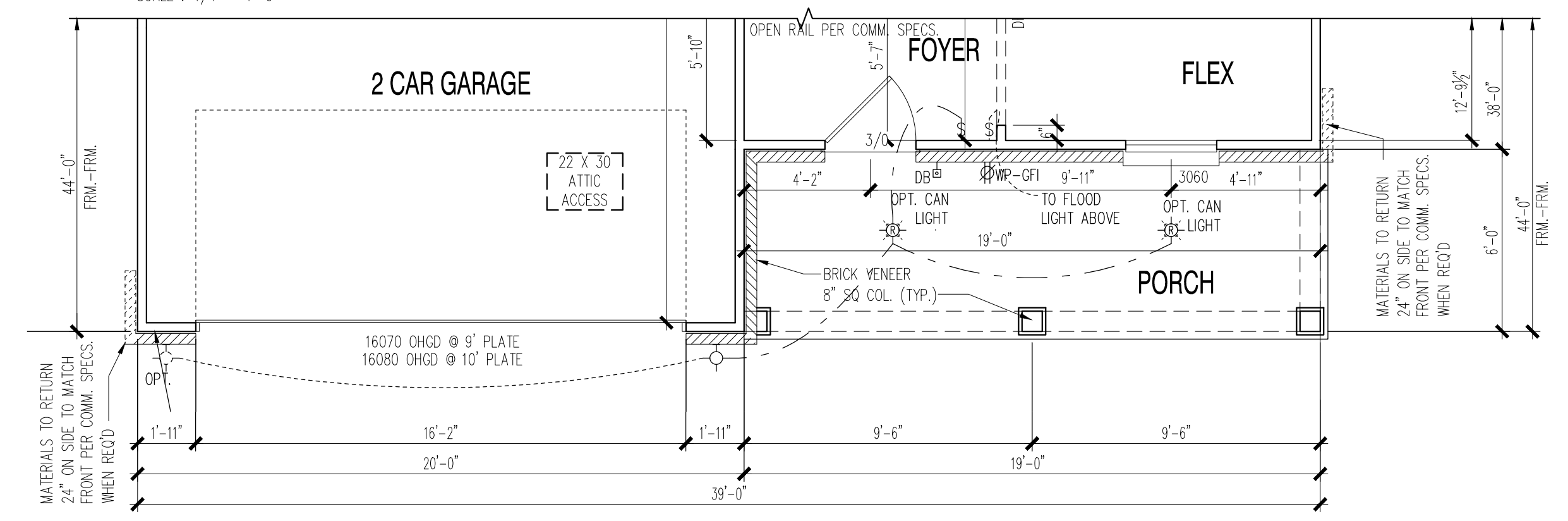
FRONT ELEVATION 28

SCALE : 1/4" = 1'-0"



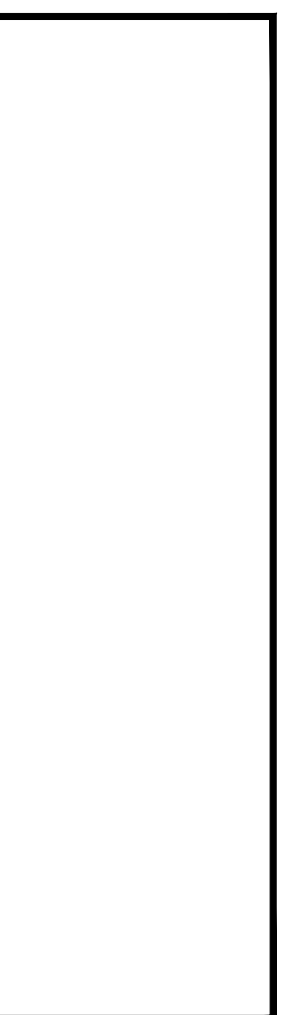
PARTIAL SECOND FLOOR PLAN

SCALE : 1/4" = 1'-0"



PARTIAL FIRST FLOOR PLAN

SCALE : 1/4" = 1'-0"

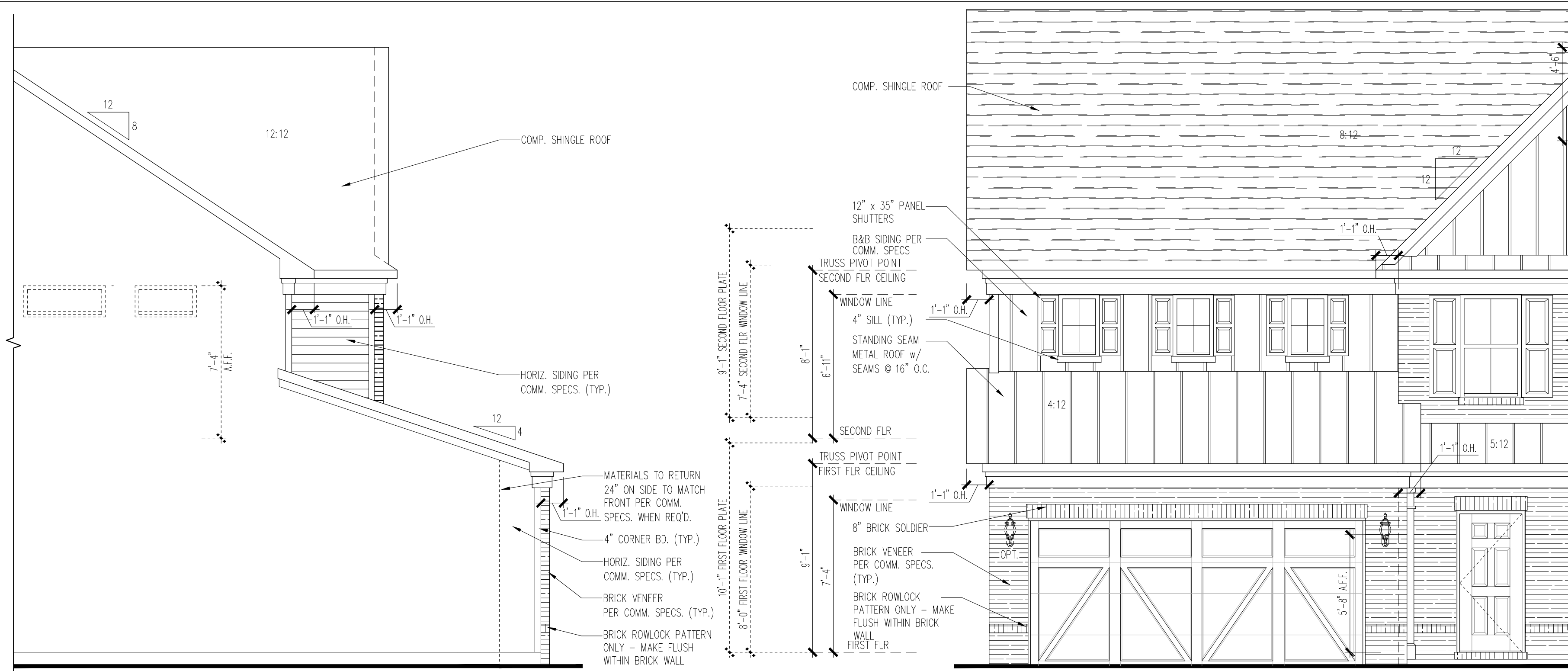


PRODUCT MANAGER	
INITIAL RELEASE	
DATE:	
REV#	DATE/DESCRIPTION
△	
△	
△	
△	
△	
△	
△	

PROJECT TYPE
Single Family

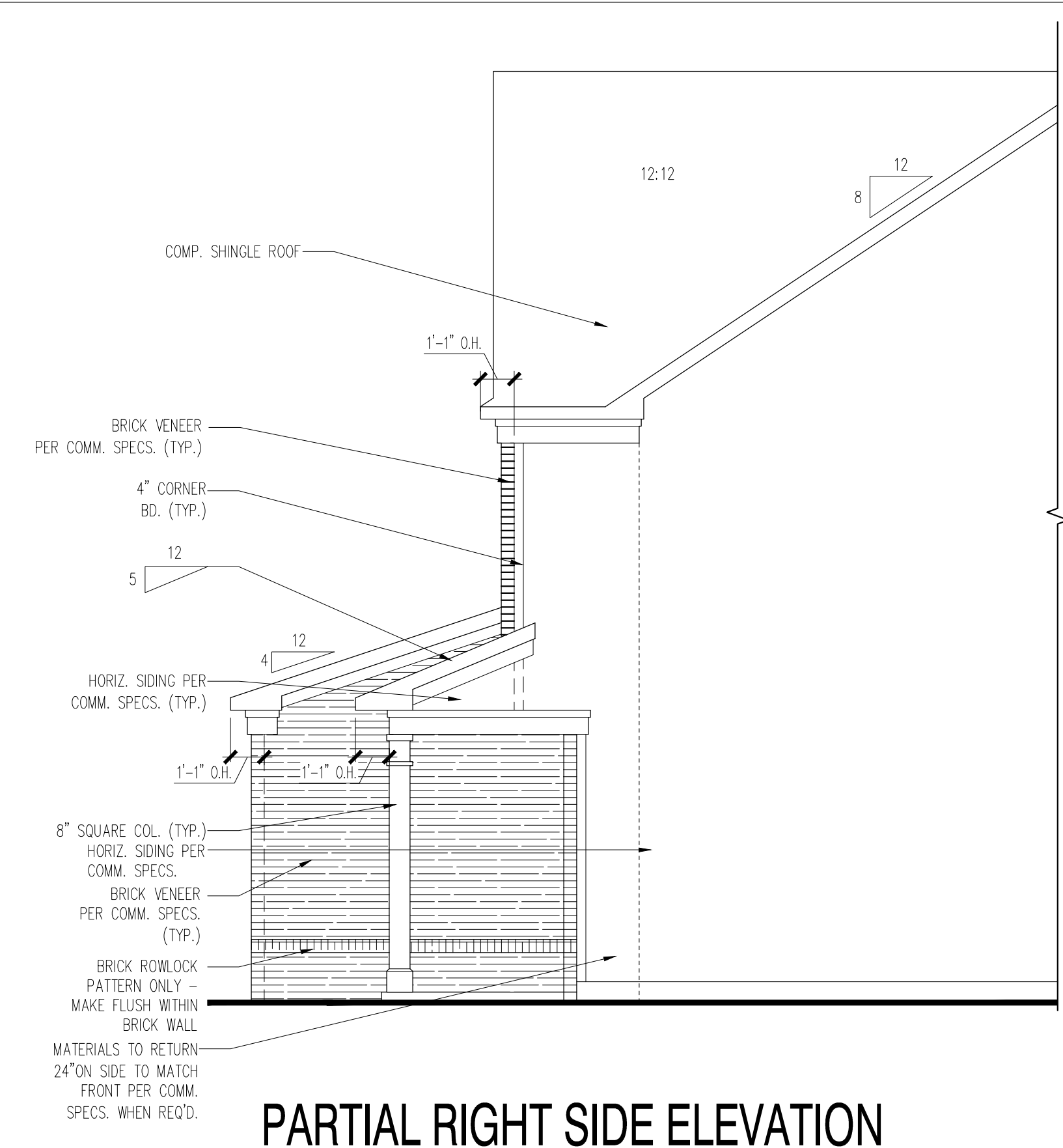
PLAN NAME
Mercer

SHEET
3.28



FRONT ELEVATION 28
W/ OPT. 4' GARAGE EXTENSION

SCALE : 1/4" = 1'-0"

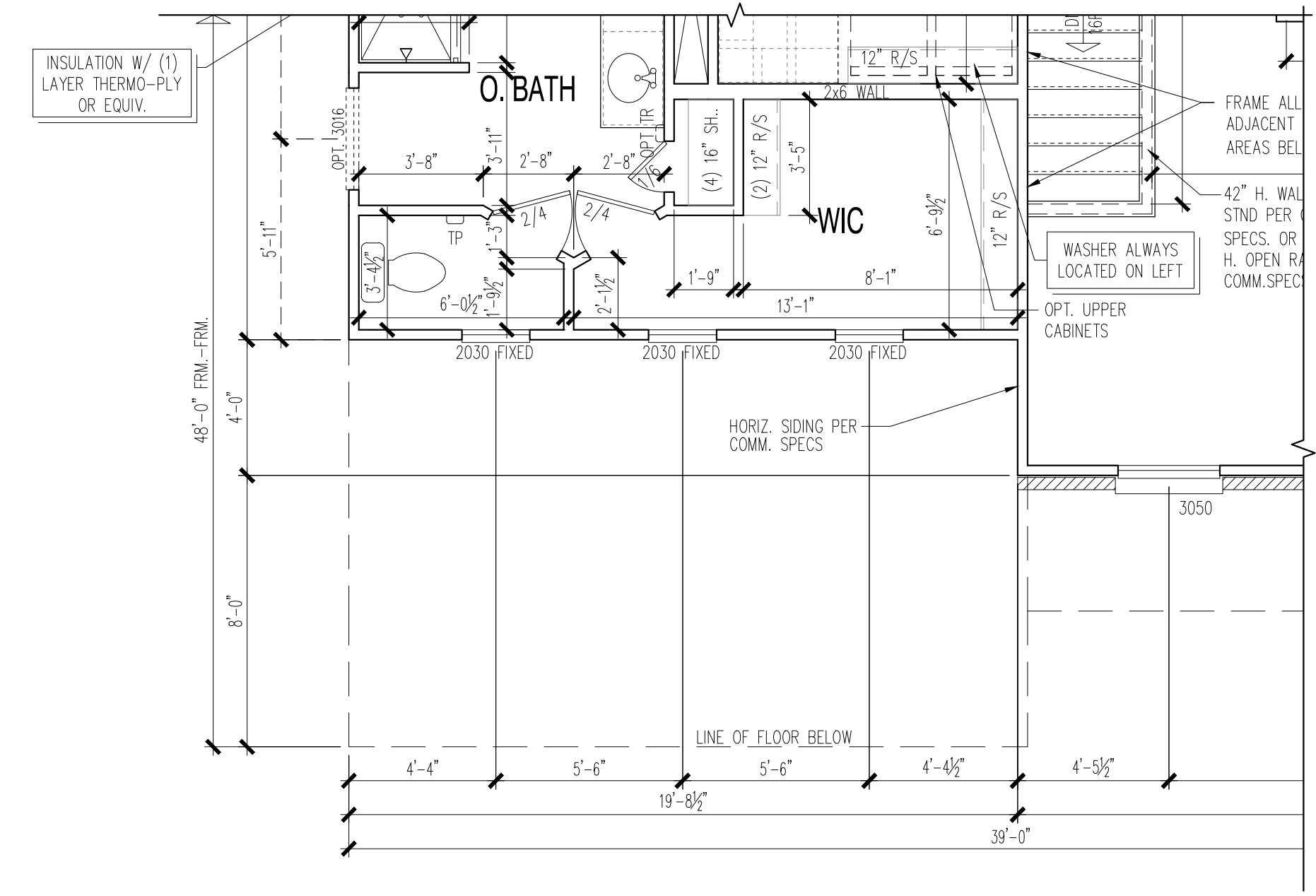


PARTIAL RIGHT SIDE ELEVATION

SCALE : 1/4" = 1'-0"

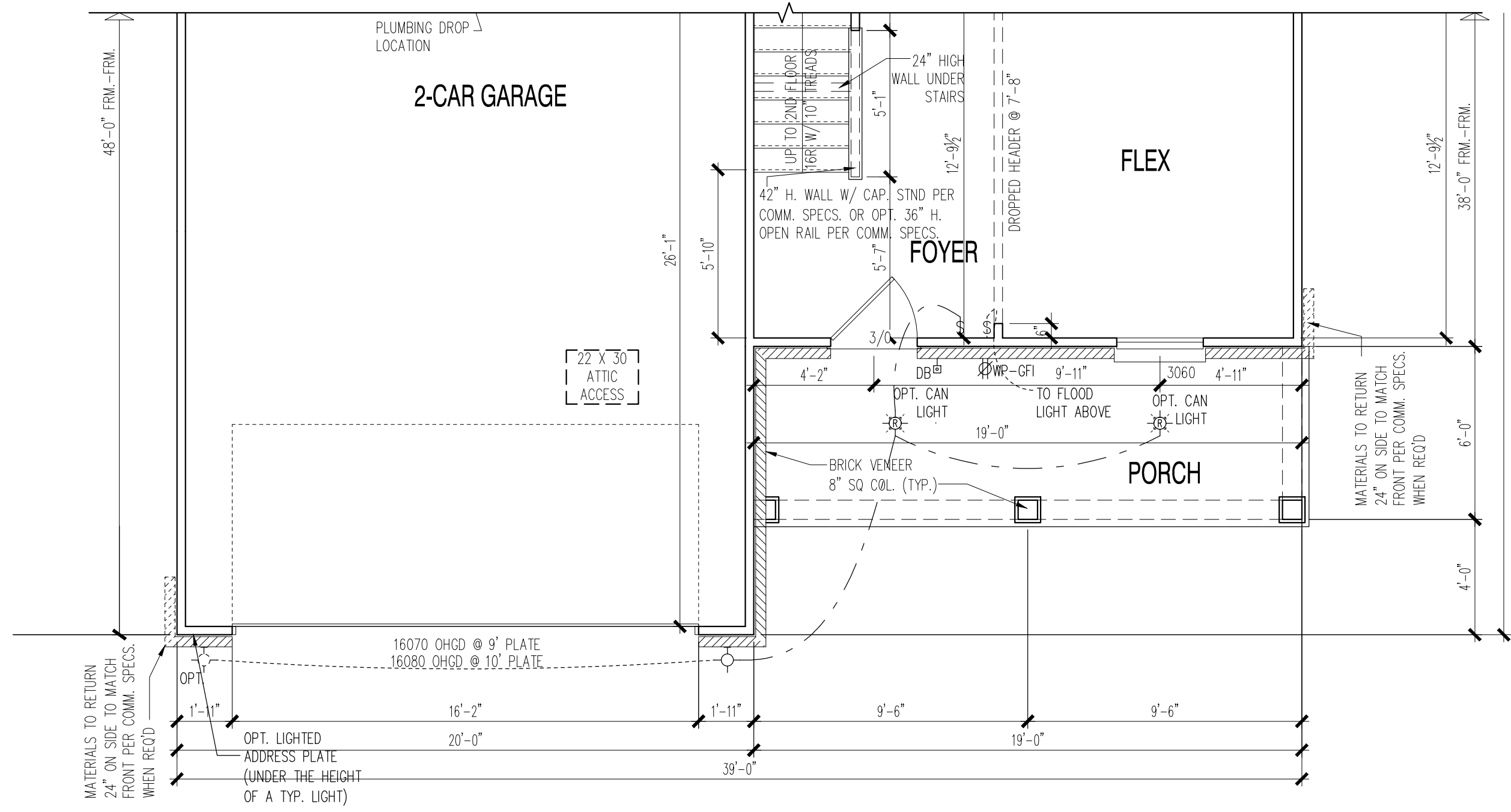
PARTIAL RIGHT SIDE ELEVATION

SCALE : 1/4" = 1'-0"



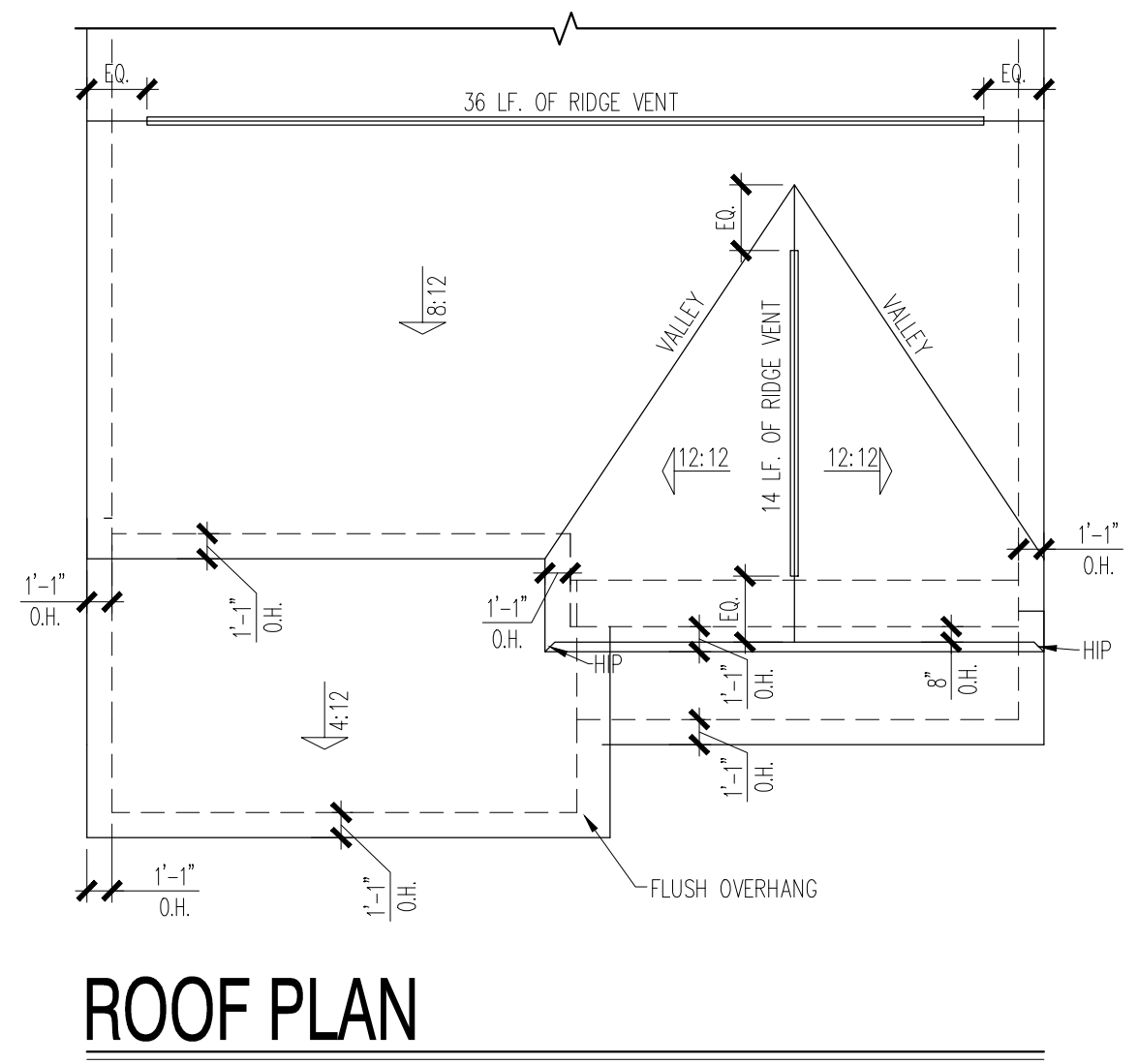
PARTIAL SECOND FLOOR PLAN

SCALE : 1/4" = 1'-0"



PARTIAL FIRST FLOOR PLAN

SCALE : 1/4" = 1'-0"



ROOF PLAN

SCALE : 1/8" = 1'-0"

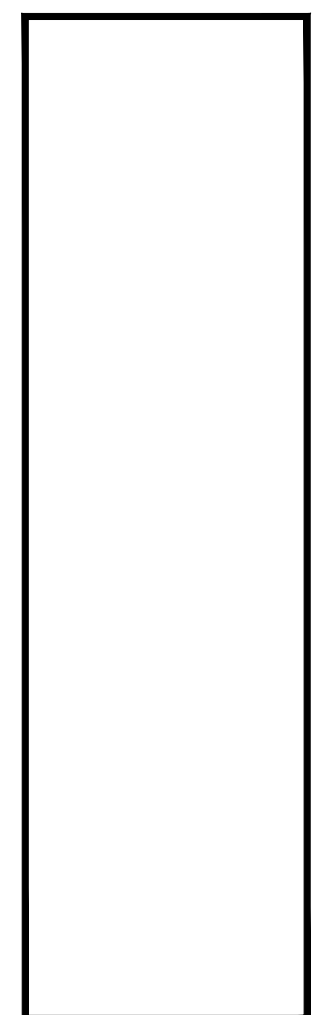
ATTIC VENTILATION : (300 SQ FT ATTIC SPACE / 1 SQ FT VENTILATION)
 W/ 40%-50% REQ. VENTS GREATER THAN OR EQUAL TO 3' ABOVE
 EAVE / CORNICE VENTS PER R806.2

4FT GARAGE EXT. 160 SQ FT UNDER ROOF ATTIC /
 300 SQ FT / 1 SQ FT = 0.53 SQ FT VENTILATION

RIDGE VENT 18 SQ IN = (.125 SQ FT)
 BOX VENT 50 SQ IN = (.3472 SQ FT)
 SOFFIT VENT 9 SQ IN = (.0625 SQ FT)

0.53 SQ FT x 50% = 0.2675 SQ FT RIDGE, 0.53 SQ FT x 50% = 0.2675 SQ FT SOFFIT
 RIDGE VENT OR W/ HIP, BOX VENT
 0.267 SQ FT = 2.1 FEET OF RIDGE VENT 0.267 SQ FT = 0.8 BOX VENT(S)
 0.125 SQ FT 0.3472 SQ FT
 SOFFIT VENT
 0.267 SQ FT = 4.3 FEET OF SOFFIT VENT
 0.0625 SQ FT

*CALCULATIONS REFLECT 50 % RIDGE AND 50 % SOFFIT VENTS ALLOWABLE PER SECTION R806.2



The MERCER
ELEVATION 28 W OPT. 4' GARAGE EXTENSION

PRODUCT MANAGER

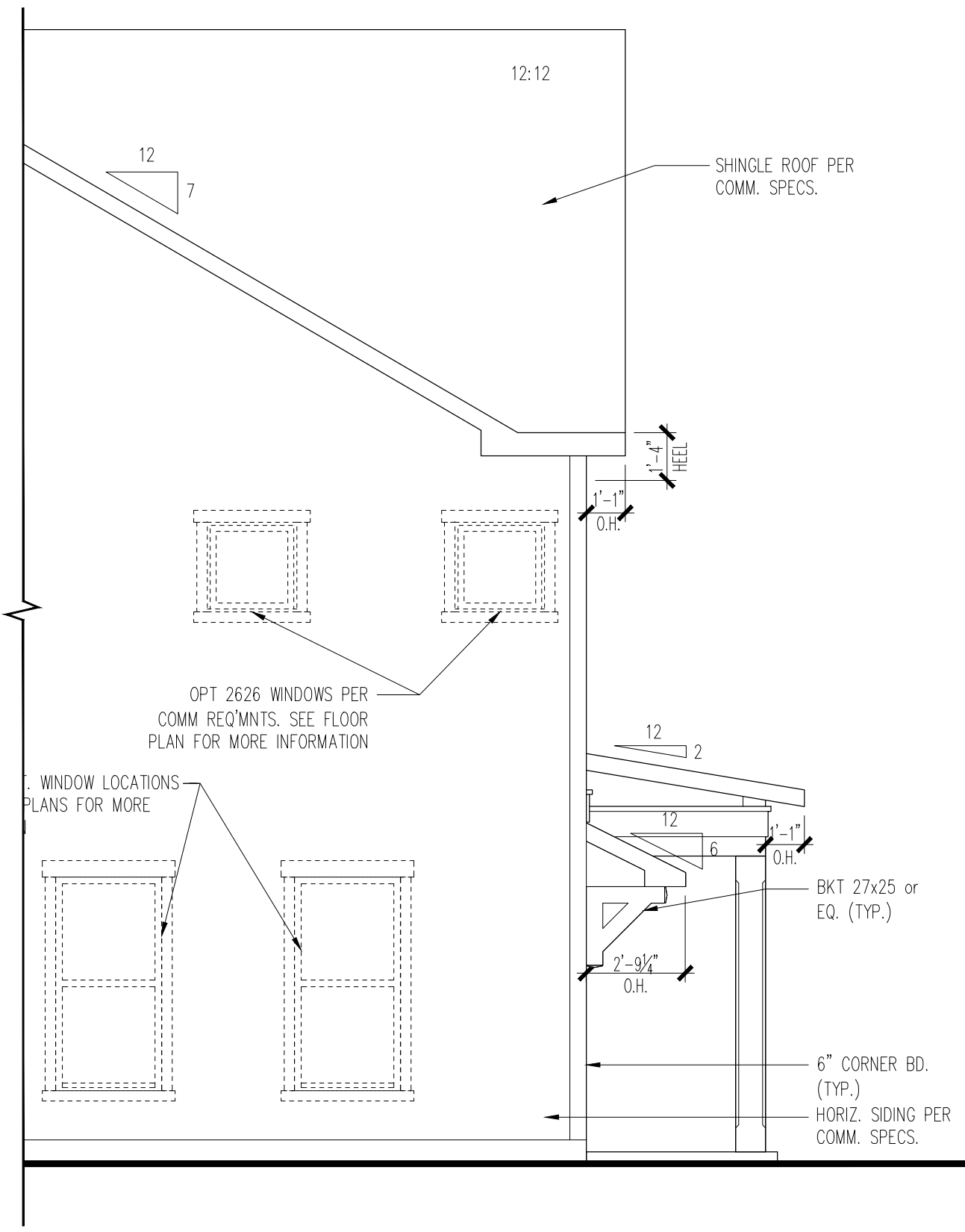
INITIAL RELEASE DATE:

REV#	DATE/DESCRIPTION

PROJECT TYPE
Single Family

PLAN NAME
Mercer

SHEET
3.28.1



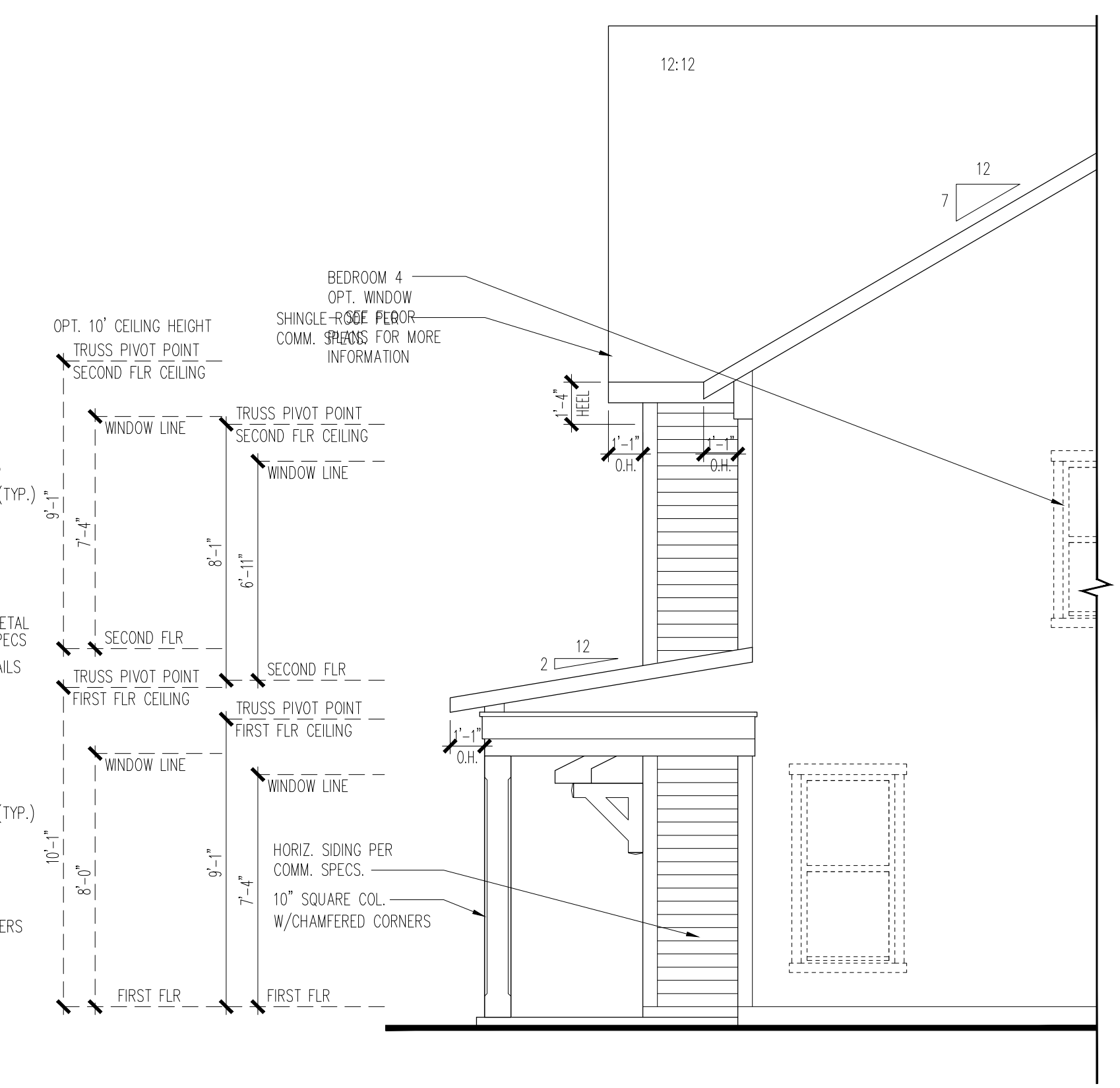
PARTIAL LEFT SIDE ELEVATION

SCALE : 1/4"=1'-0"



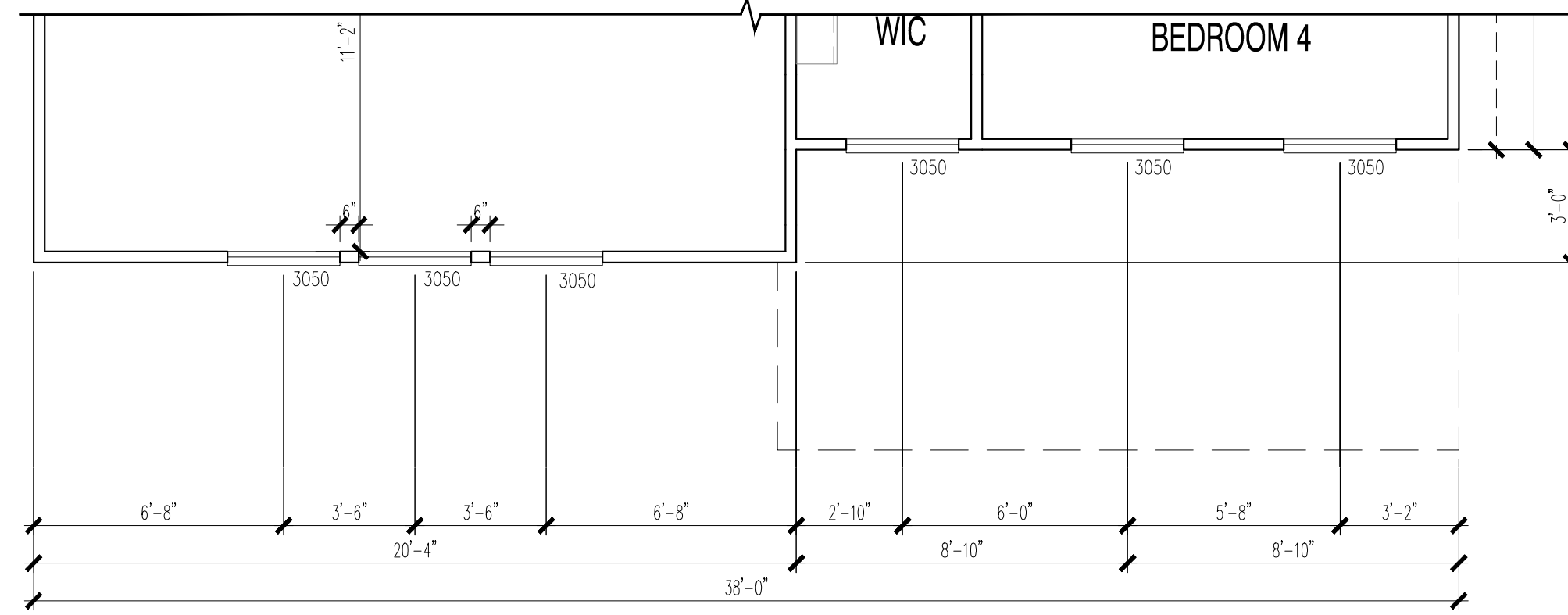
FRONT ELEVATION 20

SCALE : 1/4"=1'-0"



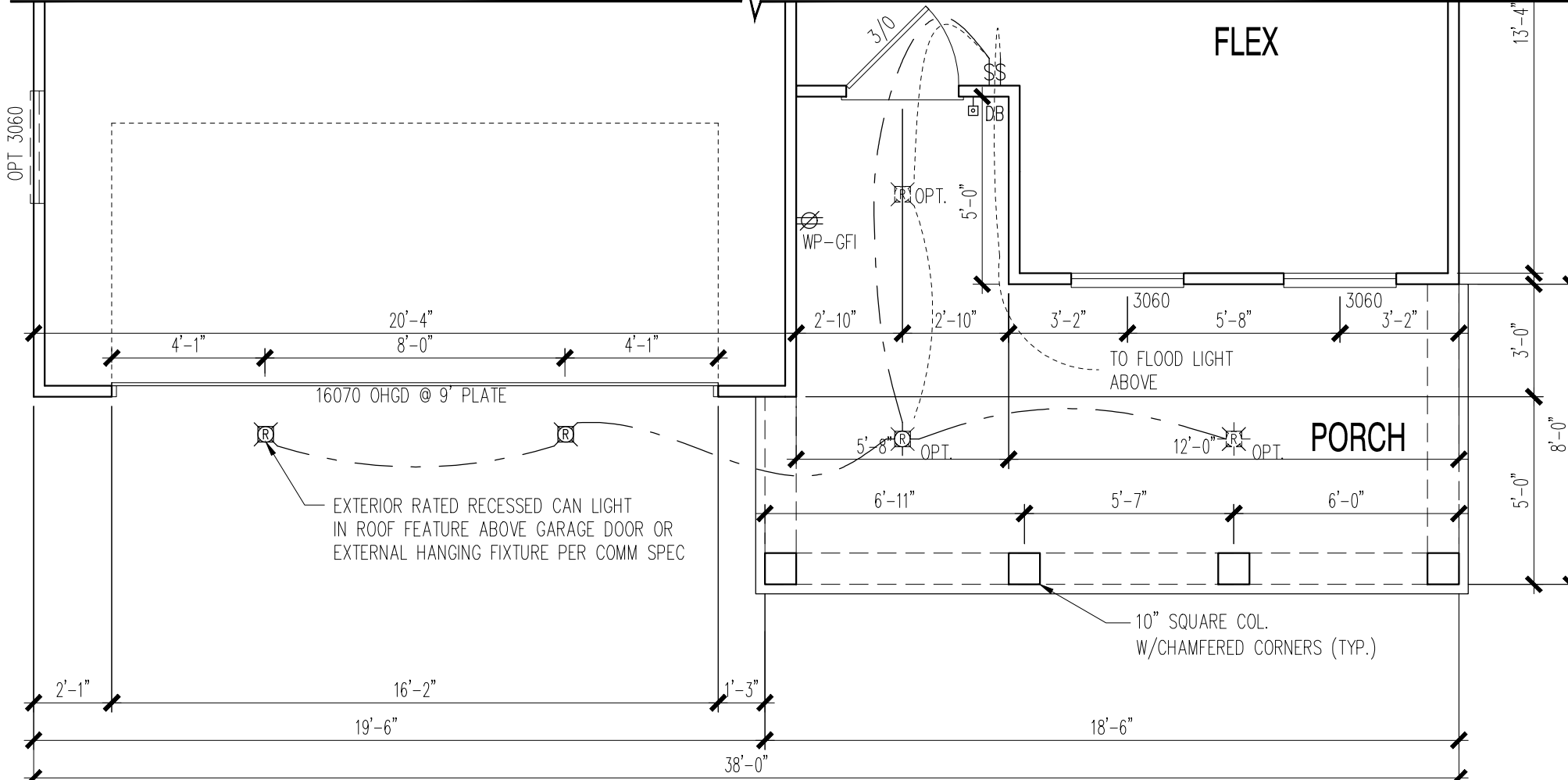
PARTIAL RIGHT SIDE ELEVATION

SCALE : 1/4"=1'-0"



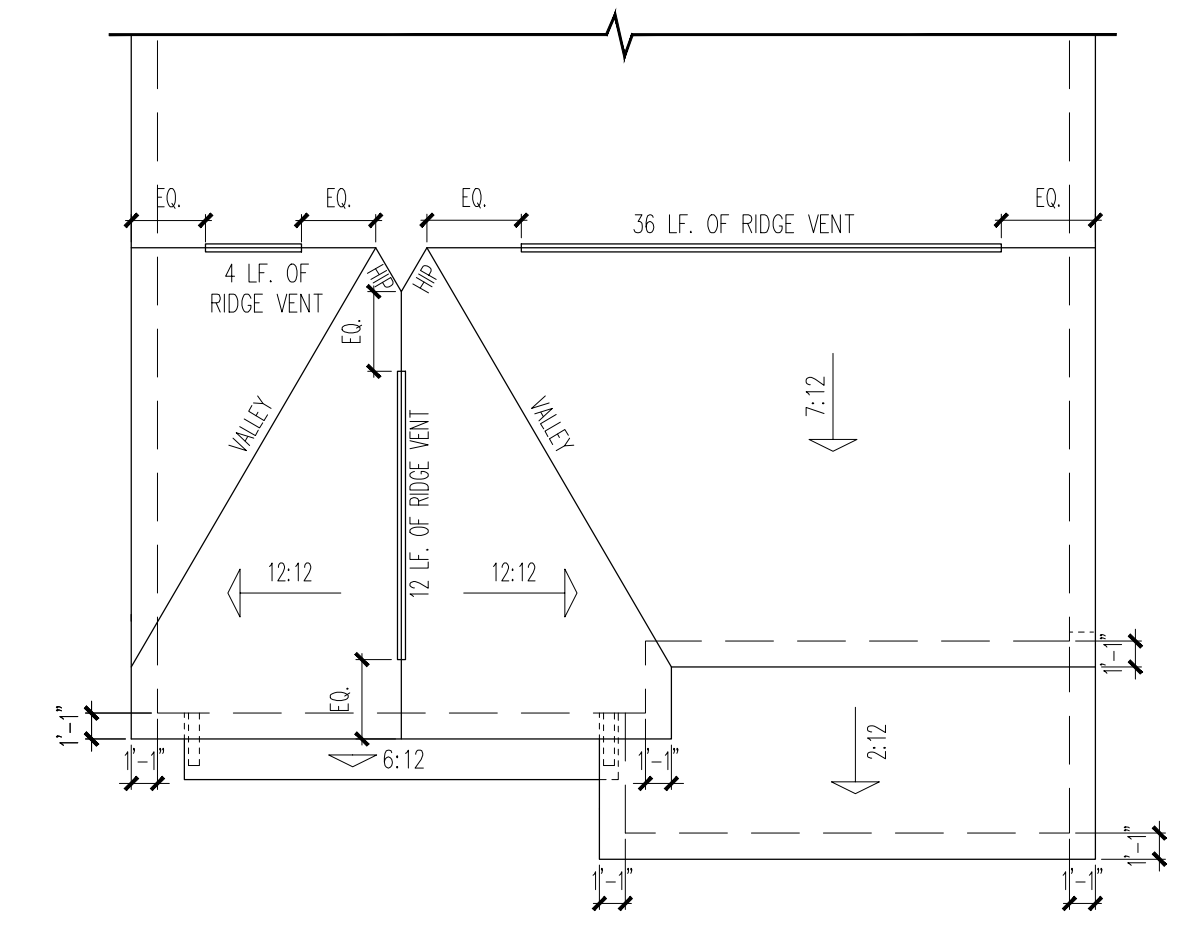
PARTIAL SECOND FLOOR PLAN

SCALE : 1/4"=1'-0"



PARTIAL FIRST FLOOR PLAN

SCALE : 1/4"=1'-0"



PARTIAL ROOF PLAN

SCALE : 1/8"=1'-0"



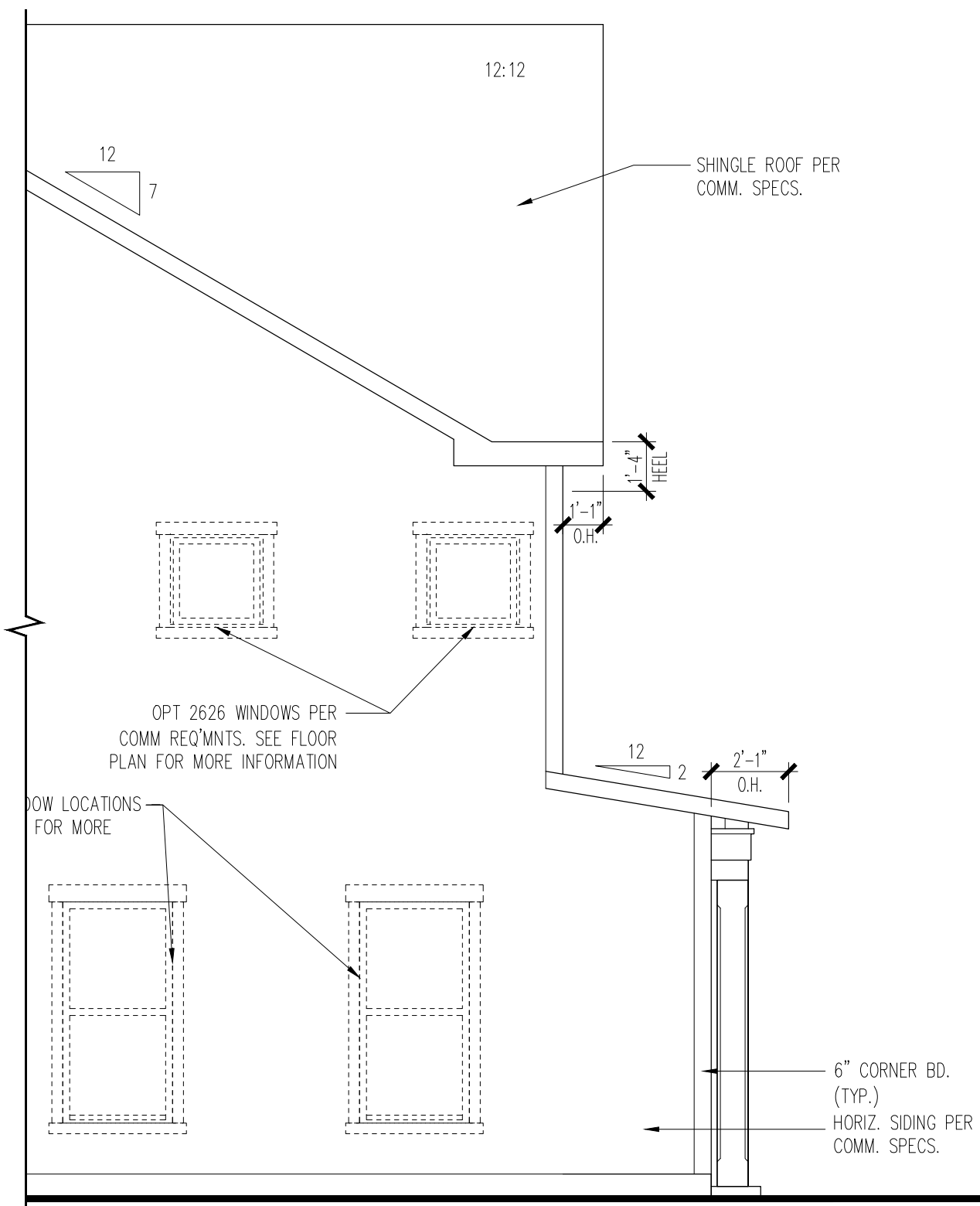
The STONEBROOK
ELEVATION 20

PRODUCT MANAGER	
INITIAL RELEASE DATE:	
REV#	DATE/DESCRIPTION
△	
△	
△	
△	
△	
△	
△	

PROJECT TYPE
Single Family

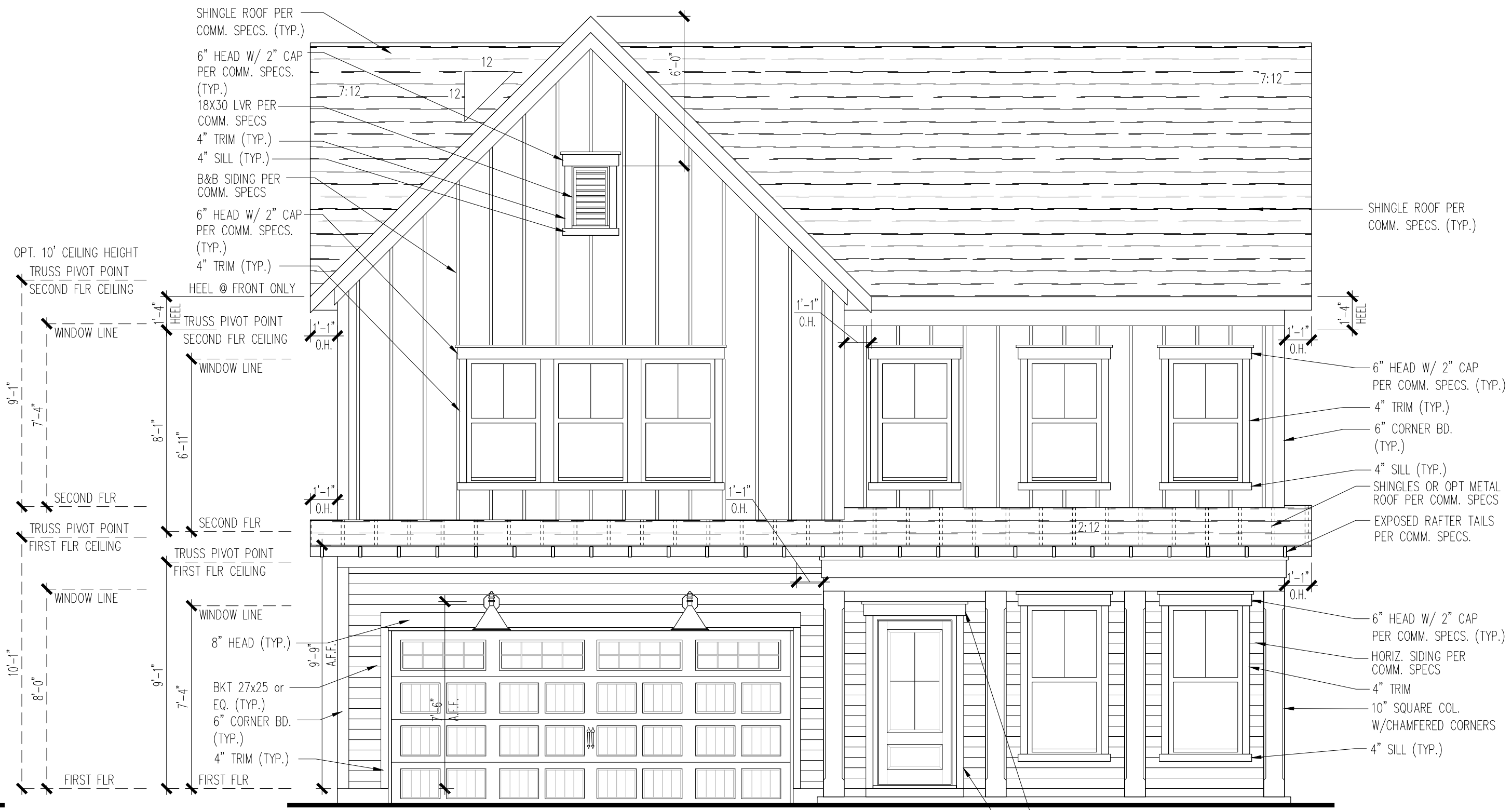
PLAN NAME
Stonebrook

SHEET
3.20



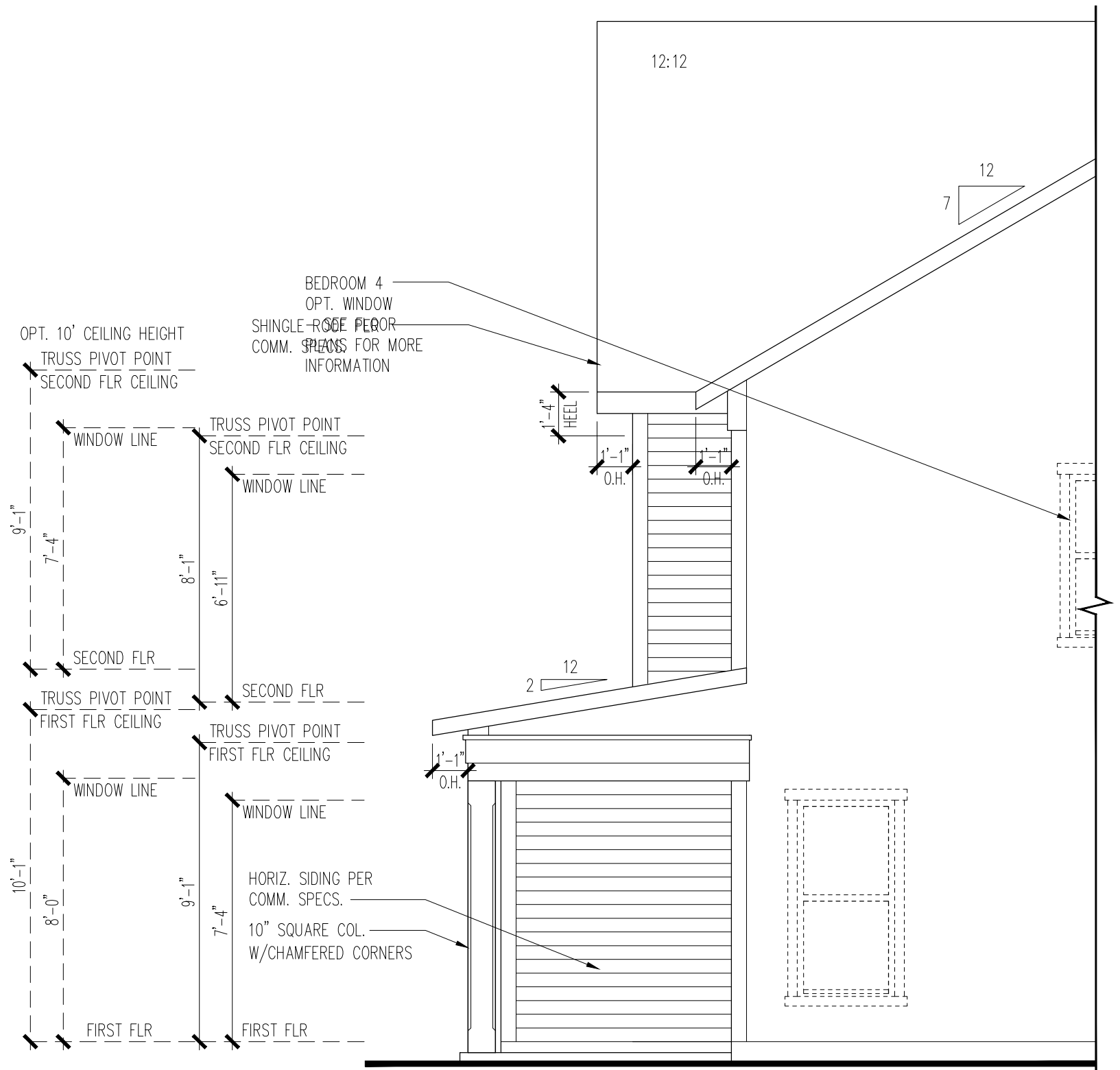
**PARTIAL LEFT SIDE ELEVATION
W/ 4' GARAGE EXTENSION**

SCALE : 1/4"=1'-0"



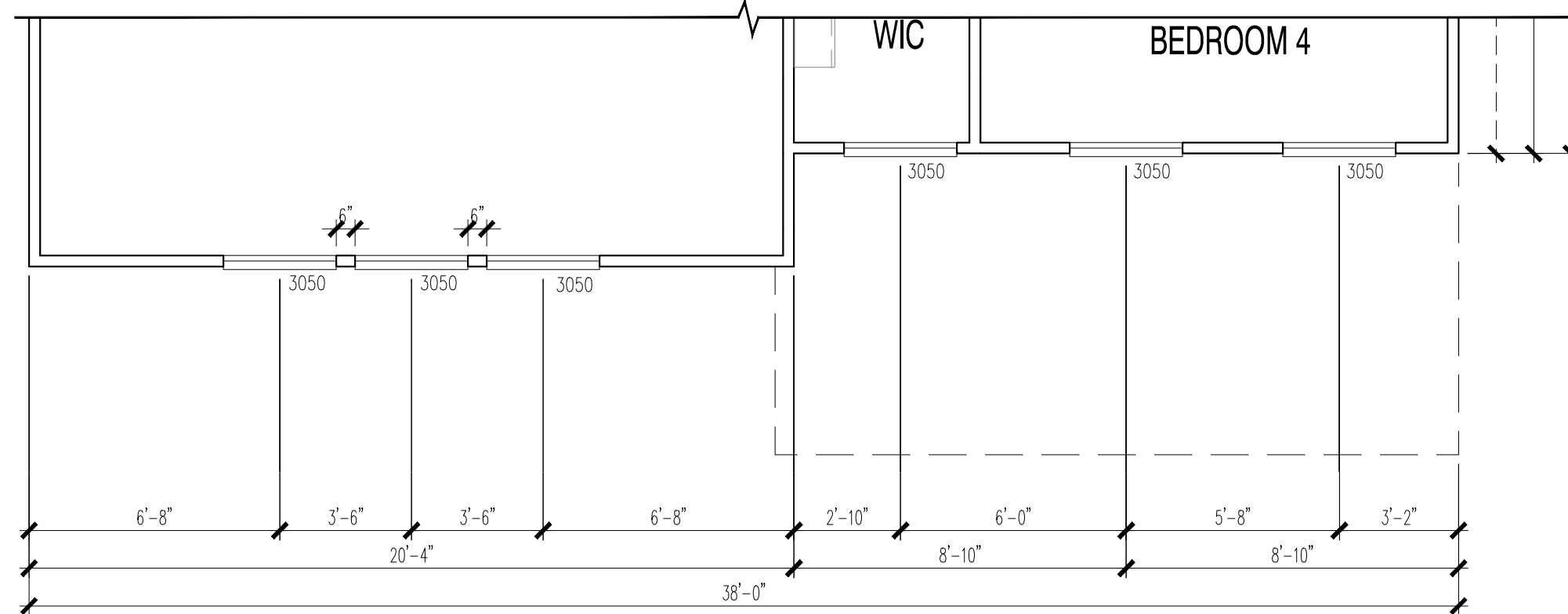
FRONT ELEVATION 20 W/ 4' GARAGE EXTENSION

SCALE : 1/4"=1'-0"



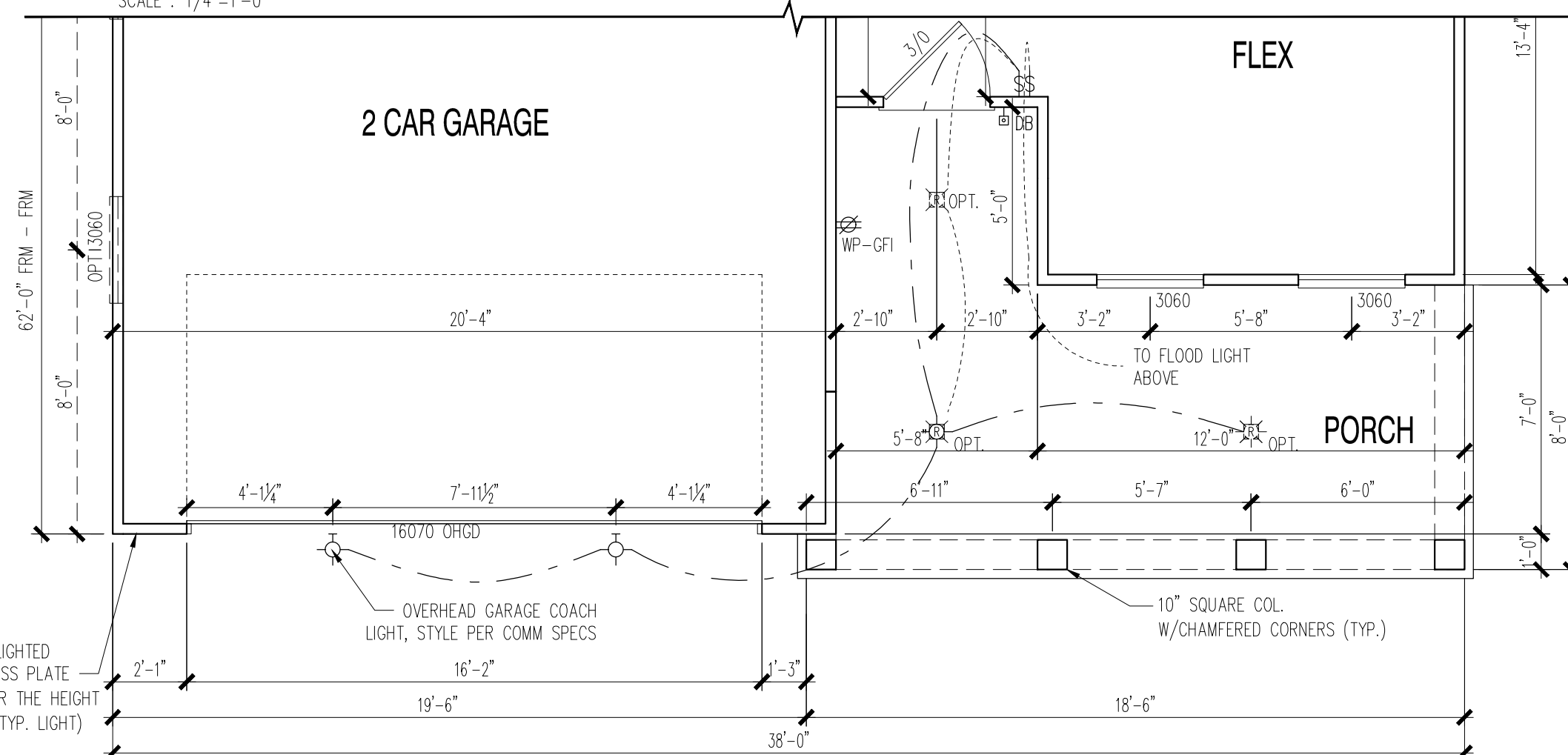
**PARTIAL RIGHT SIDE ELEVATION
W/ 4' GARAGE EXTENSION**

SCALE : 1/4"=1'-0"



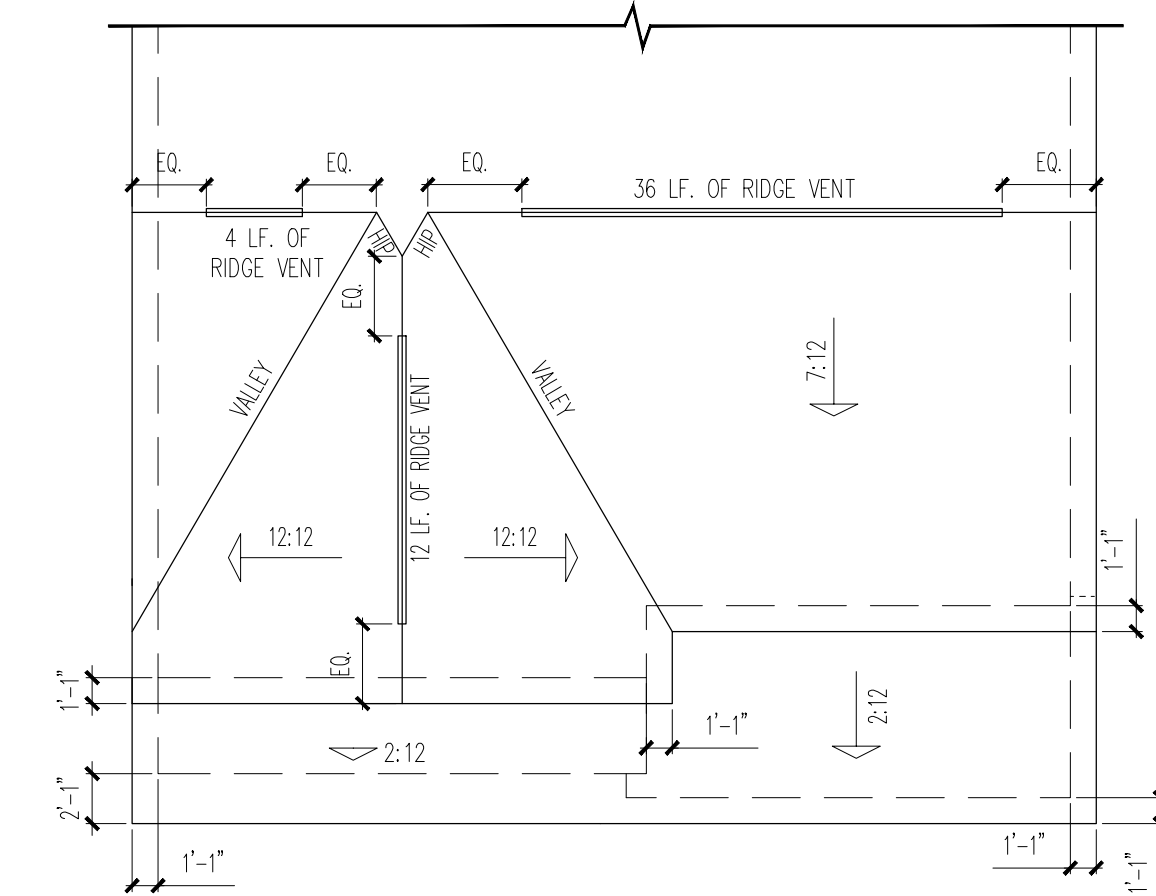
PARTIAL SECOND FLOOR PLAN

SCALE : 1/4"=1'-0"



PARTIAL FIRST FLOOR PLAN W/ 4' GARAGE EXTENSION

SCALE : 1/4"=1'-0"



PARTIAL ROOF PLAN W/ 4' GARAGE EXTENSION

SCALE : 1/8"=1'-0"



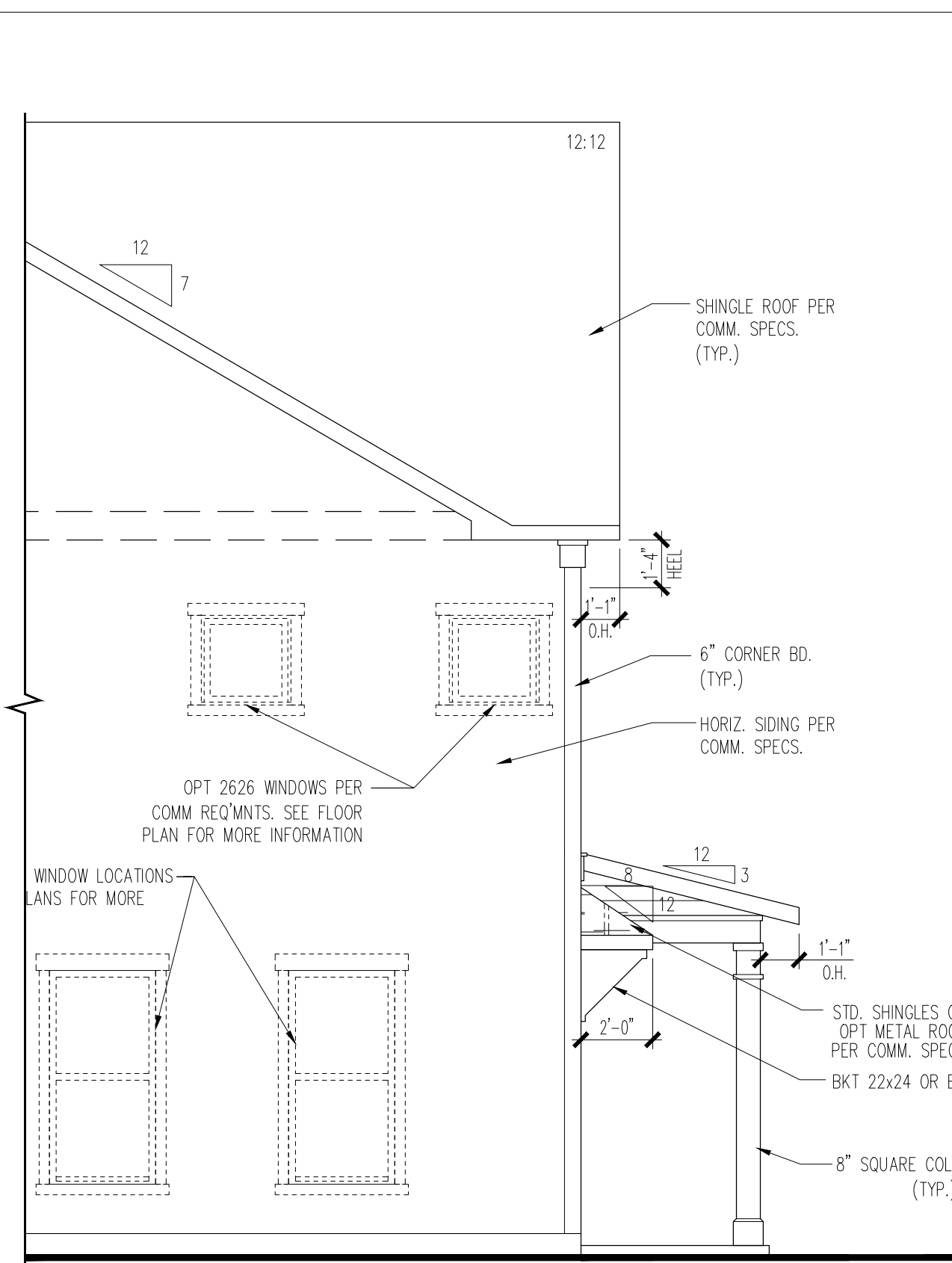
The STONEBROOK
ELEVATION 20 - W OPT. 4' GARAGE
EXTENSION

PRODUCT MANAGER	
INITIAL RELEASE DATE:	
REV#	DATE/DESCRIPTION

PROJECT TYPE
Single Family

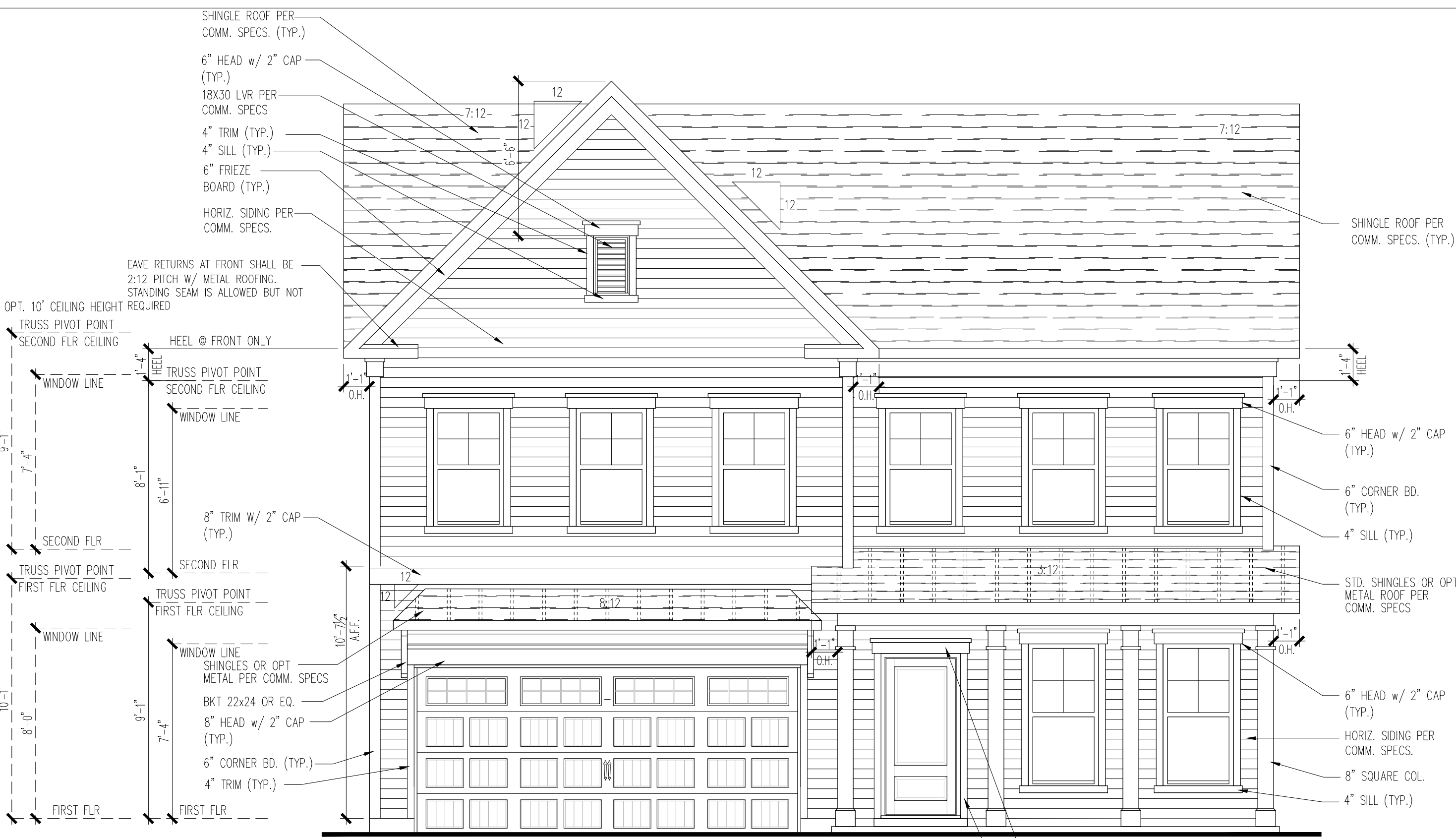
PLAN NAME
Stonebrook

SHEET
3.20.1



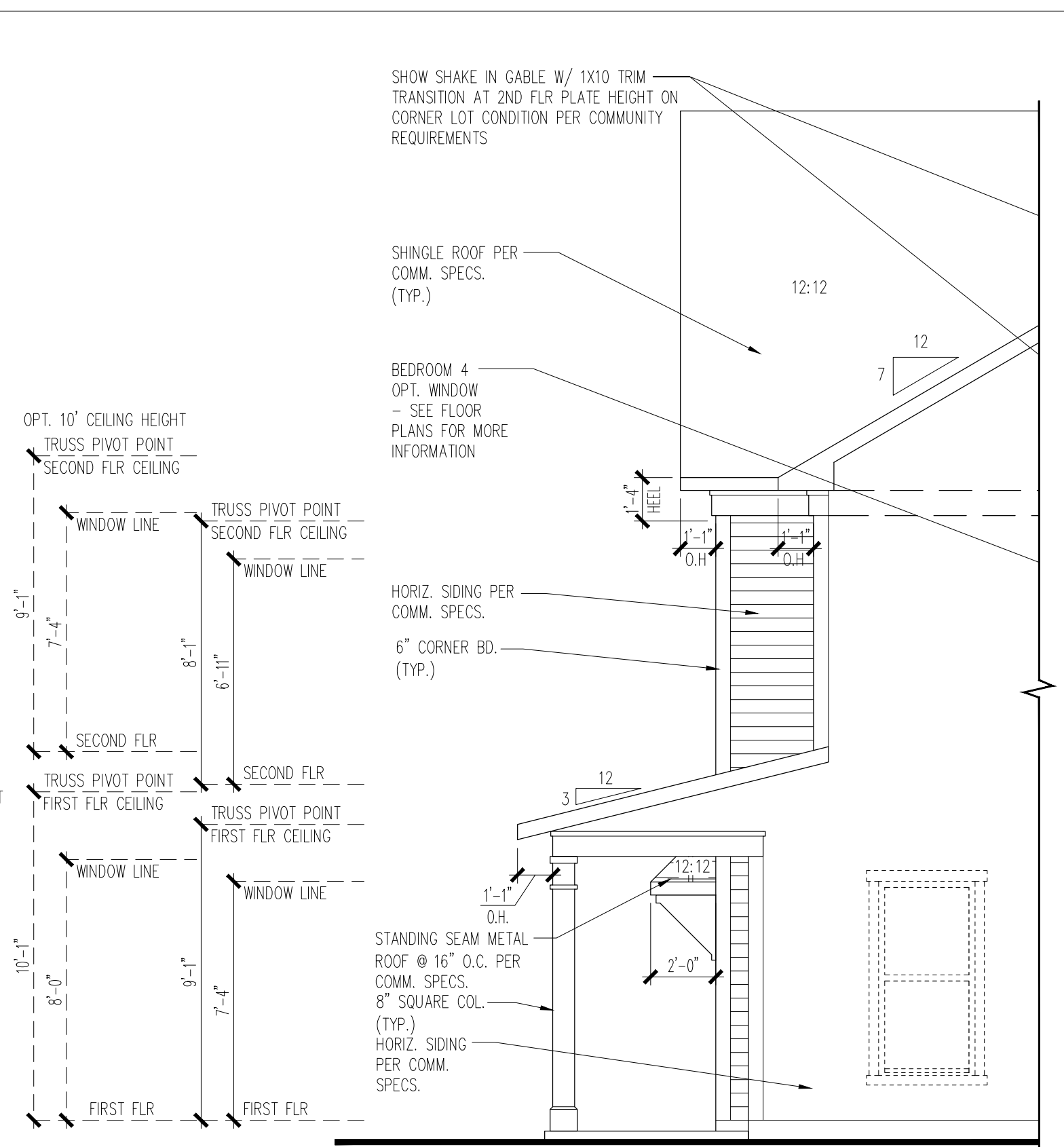
PARTIAL LEFT SIDE ELEVATION

SCALE : 1/4"=1'-0"



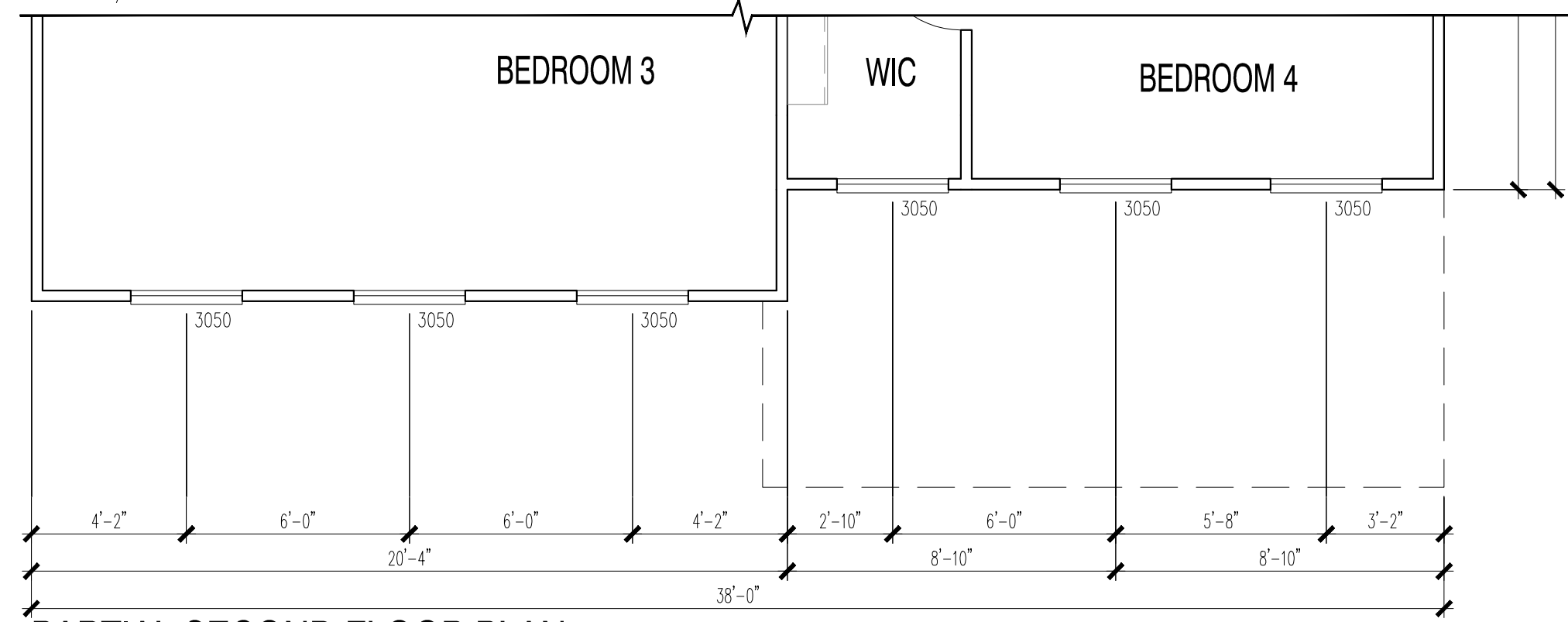
FRONT ELEVATION 22

SCALE : 1/4"=1'-0"



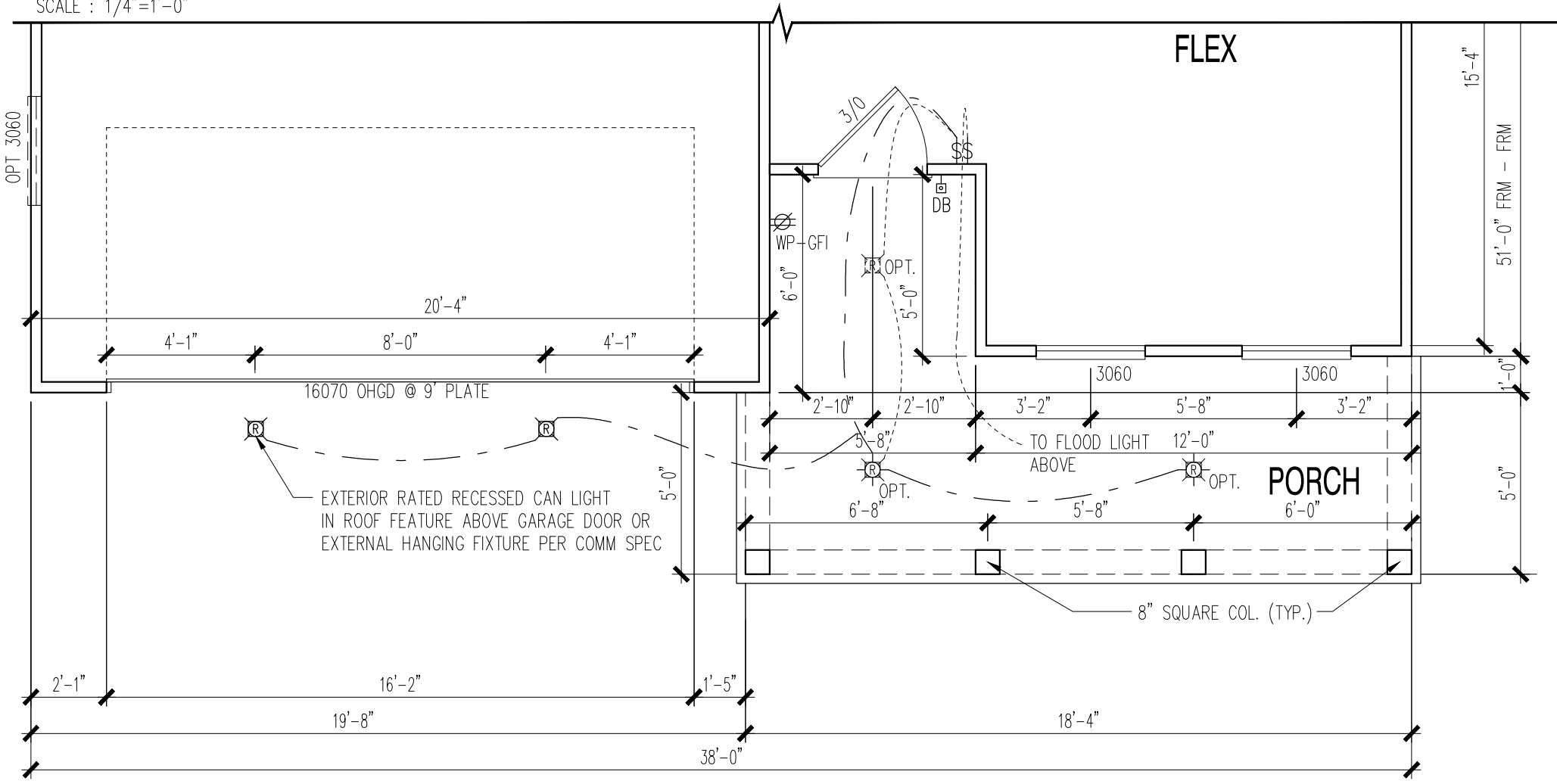
PARTIAL RIGHT SIDE ELEVATION

SCALE : 1/4"=1'-0"



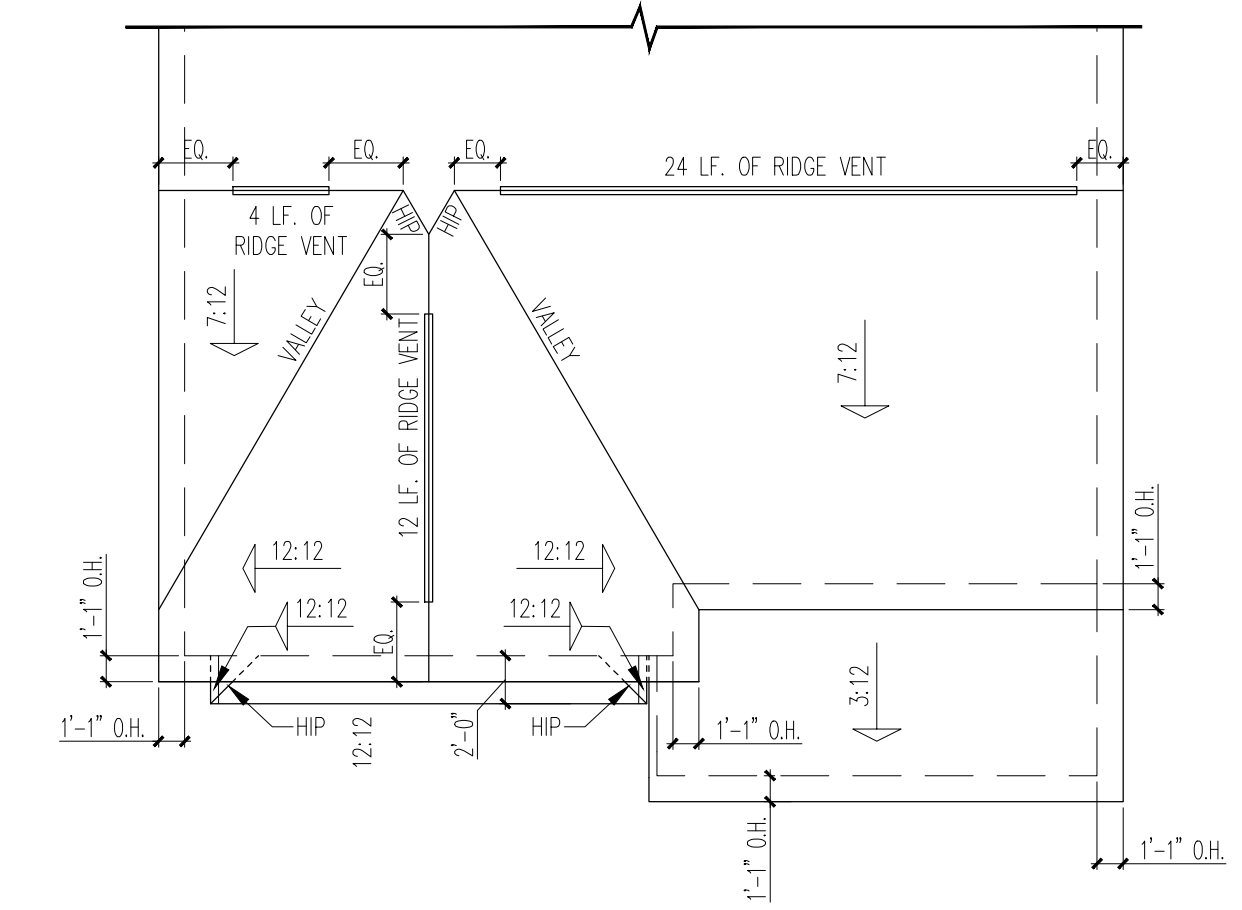
PARTIAL SECOND FLOOR PLAN

SCALE : 1/4"=1'-0"



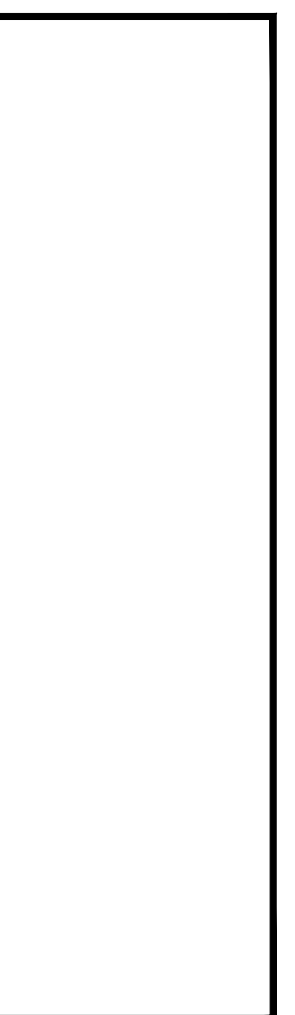
PARTIAL FIRST FLOOR PLAN

SCALE : 1/4"=1'-0"



PARTIAL ROOF PLAN

SCALE : 1/8"=1'-0"



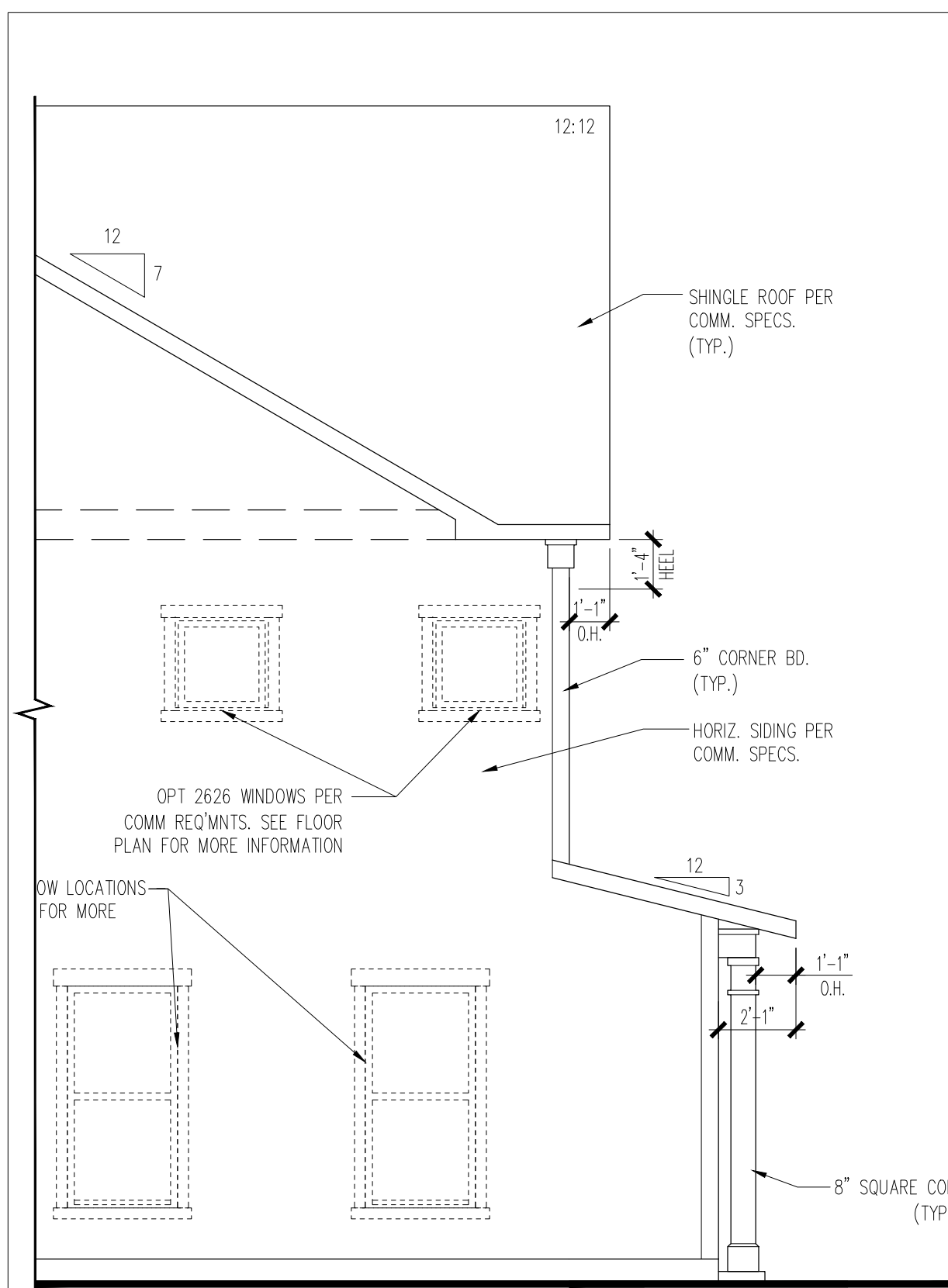
The STONEBROOK
ELEVATION 22

PRODUCT MANAGER	
INITIAL RELEASE DATE:	
REV#	DATE/DESCRIPTION

PROJECT TYPE
Single Family

PLAN NAME
Stonebrook

SHEET
3.22



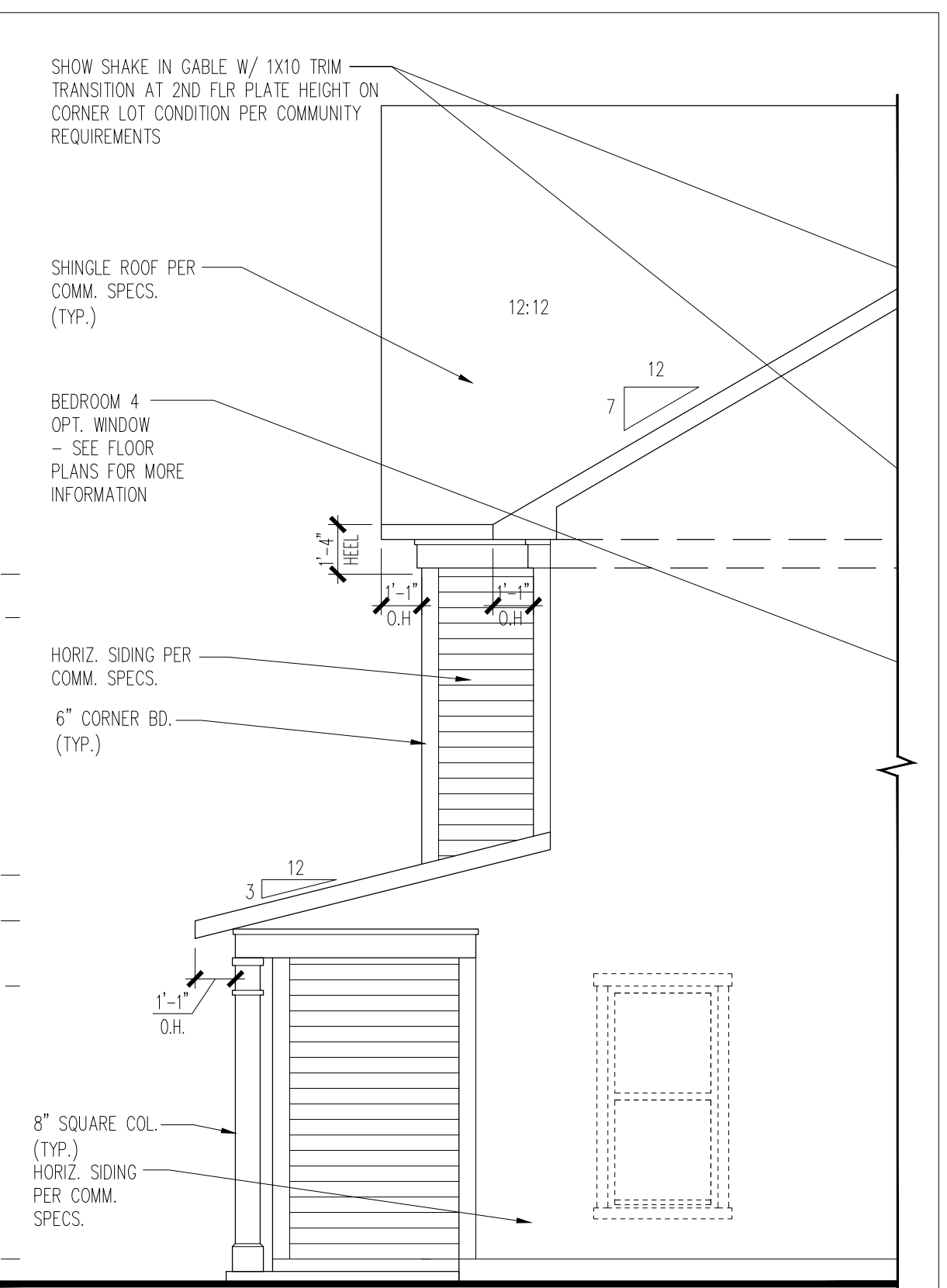
**PARTIAL LEFT SIDE ELEVATION
W/ 4' GARAGE EXTENSION**

SCALE : 1/4"=1'-0"



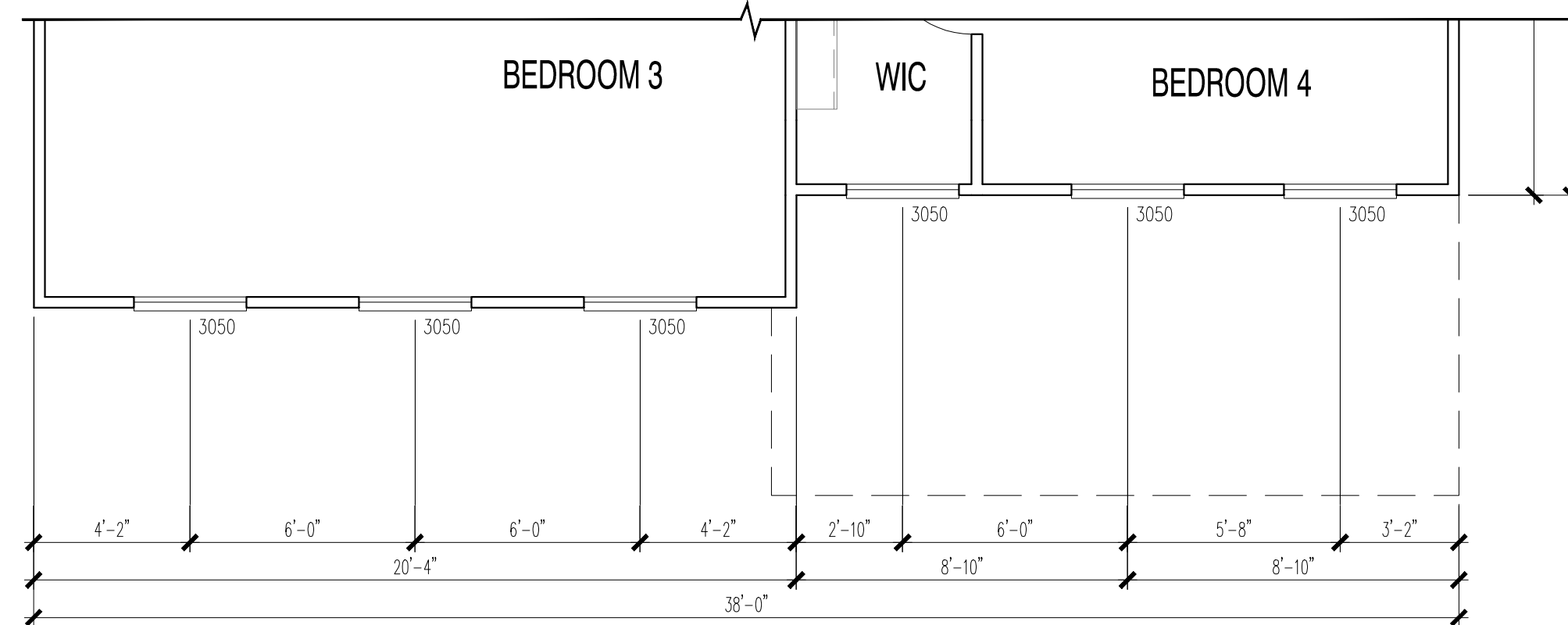
FRONT ELEVATION 22 W/ 4' GARAGE EXTENSION

SCALE : 1/4"=1'-0"



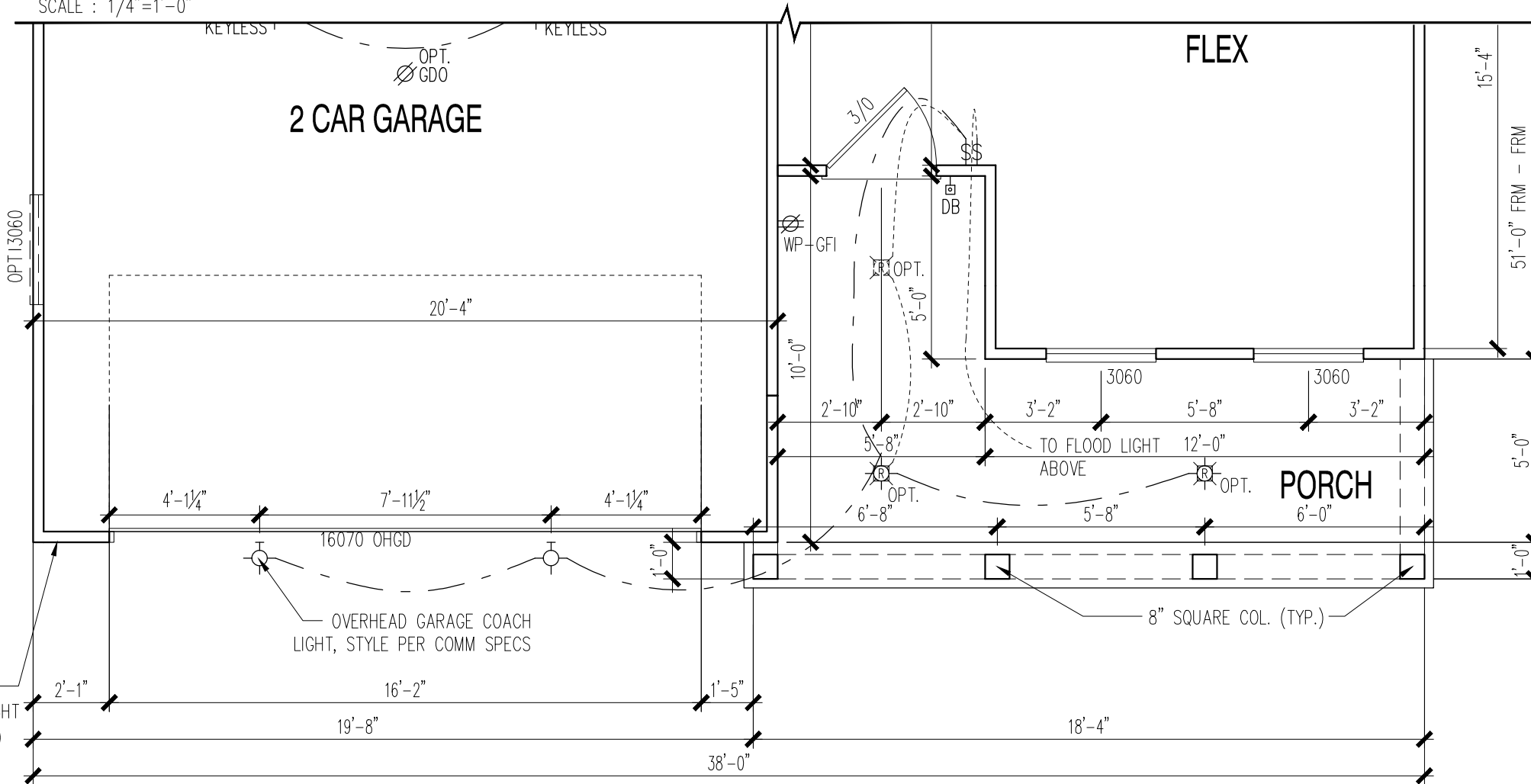
**PARTIAL RIGHT SIDE ELEVATION
W/ 4' GARAGE EXTENSION**

SCALE : 1/4"=1'-0"



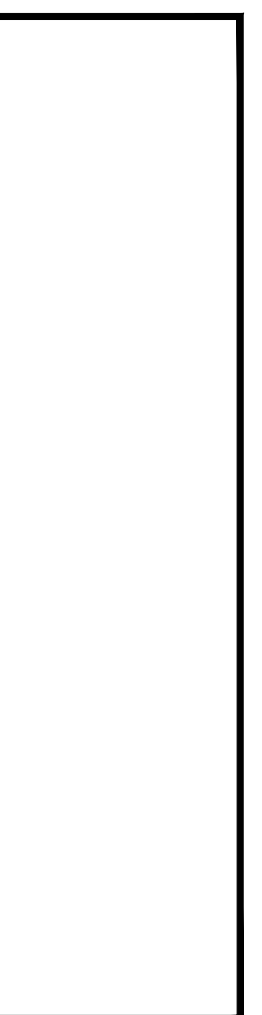
PARTIAL SECOND FLOOR PLAN

SCALE : 1/4"=1'-0"



PARTIAL FIRST FLOOR PLAN W/ 4' GARAGE EXTENSION

SCALE : 1/4"=1'-0"



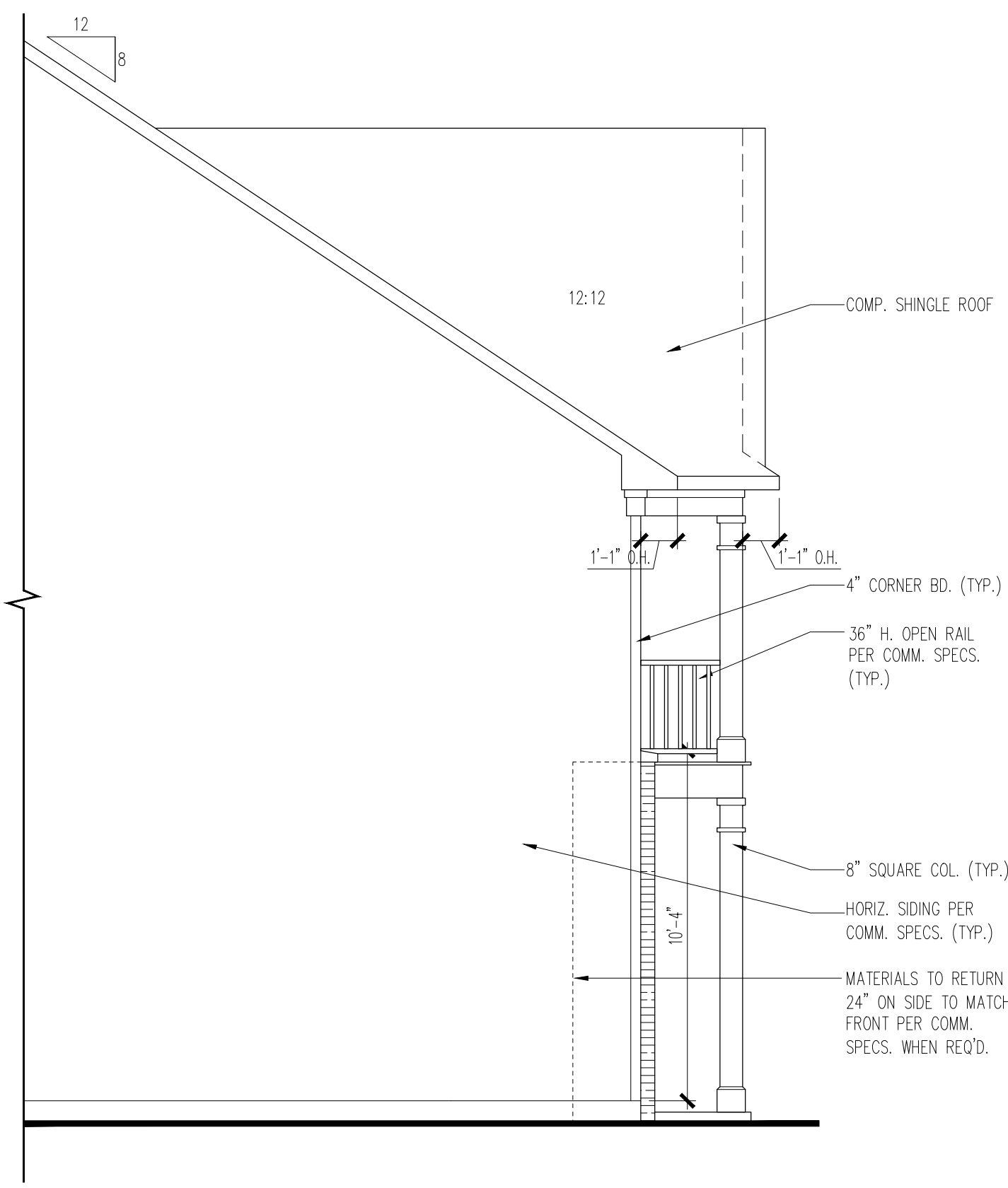
The STONEBROOK
ELEVATION 22 - W OPT. 4' GARAGE
EXTENSION

PRODUCT MANAGER	
INITIAL RELEASE DATE:	
REV#	DATE/DESCRIPTION
△	
△	
△	
△	
△	
△	
△	

PROJECT TYPE
Single Family

PLAN NAME
Stonebrook

SHEET
3.22.1



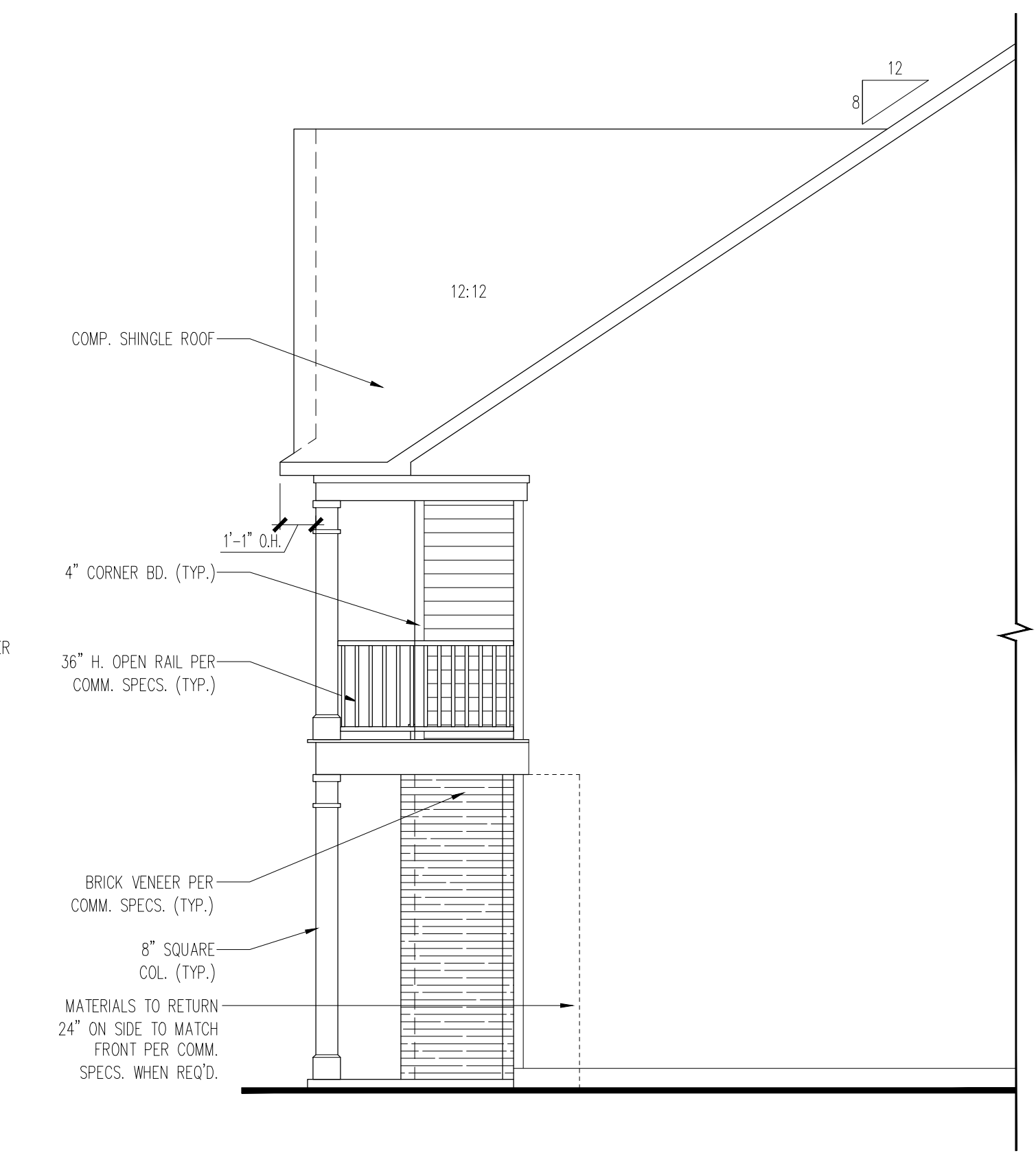
PARTIAL LEFT SIDE ELEVATION

SCALE : 1/4"=1'-0"



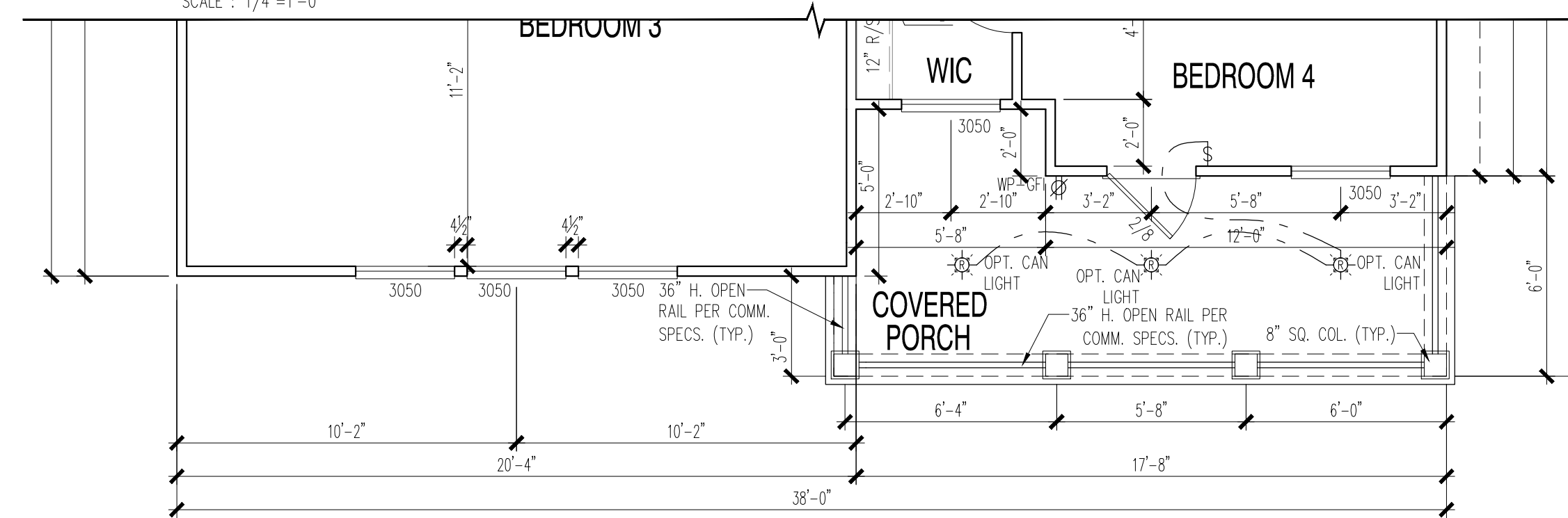
FRONT ELEVATION 28

SCALE : 1/4"=1'-0"



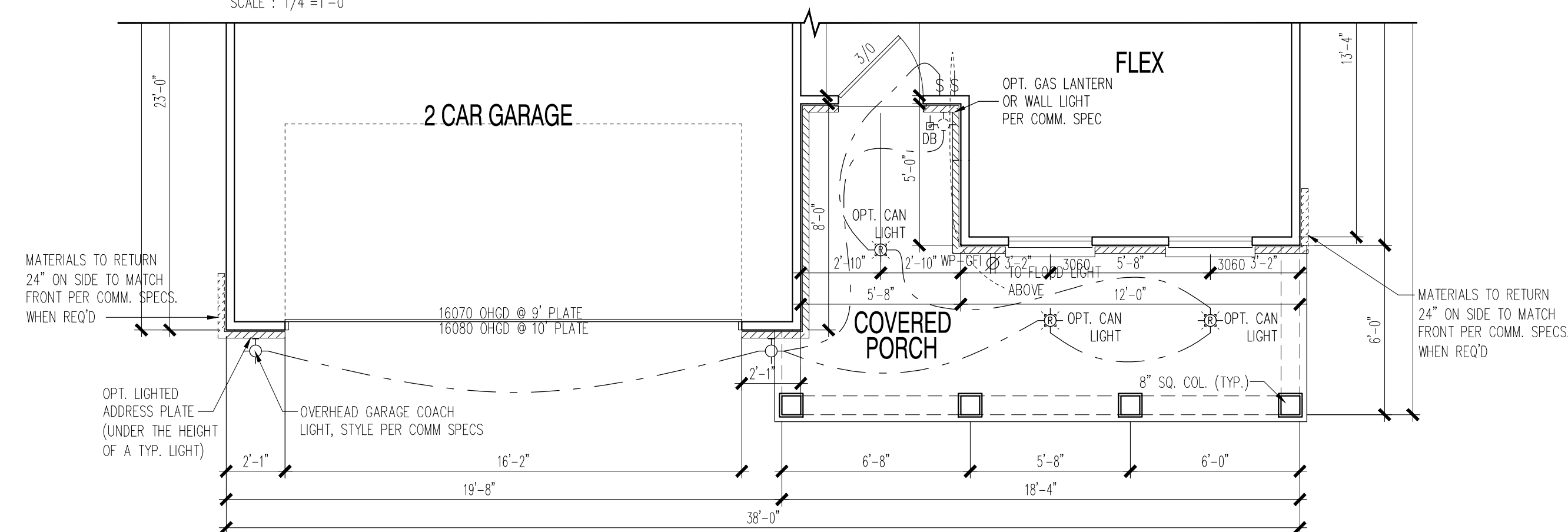
PARTIAL RIGHT SIDE ELEVATION

SCALE : 1/4"=1'-0"



PARTIAL SECOND FLOOR PLAN

SCALE : 1/4"=1'-0"



PARTIAL FIRST FLOOR PLAN

SCALE : 1/4"=1'-0"



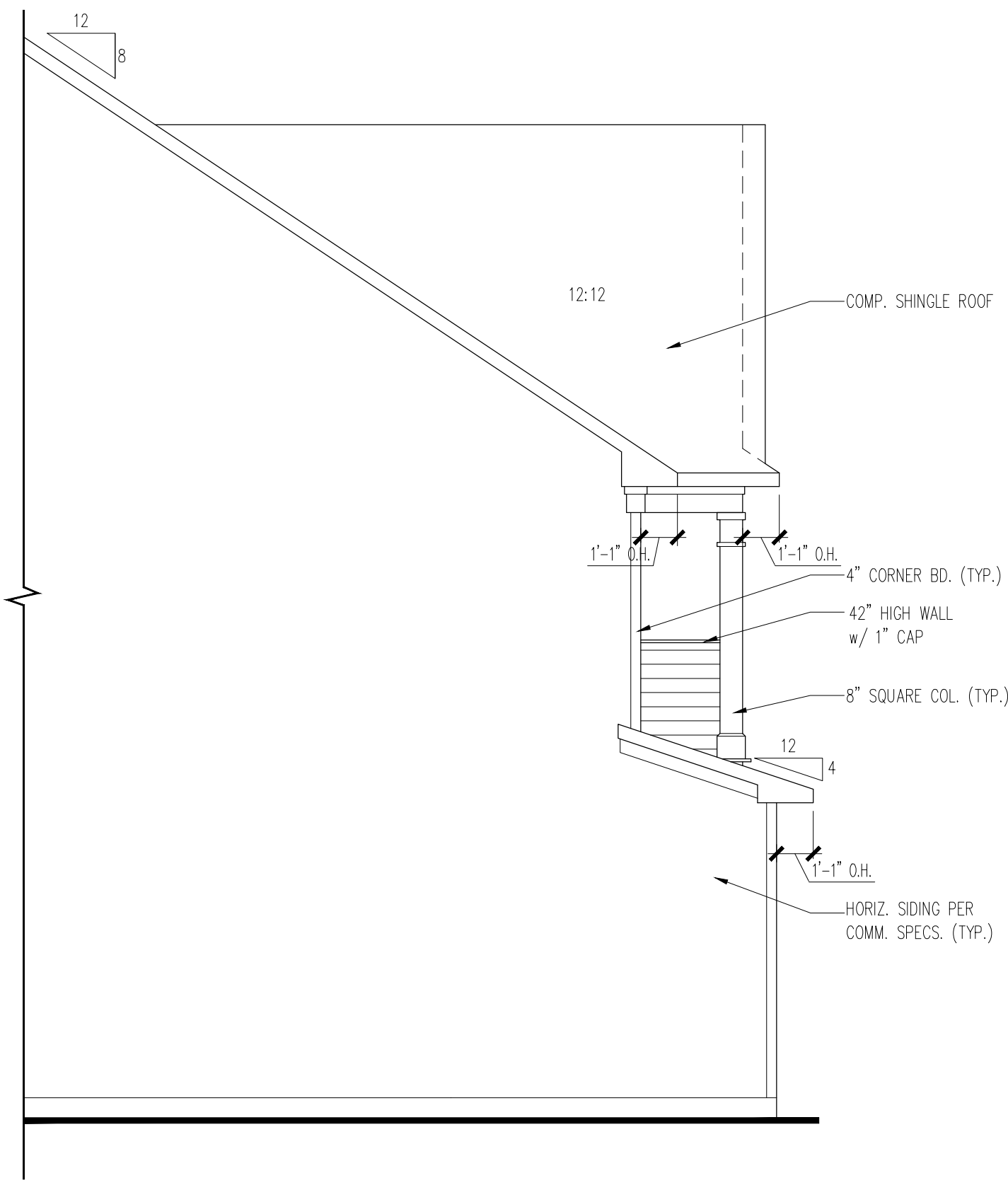
The Stonebrook
ELEVATION 28 - ALT. ROOF PITCH

PRODUCT MANAGER	
INITIAL RELEASE DATE:	
REV#	DATE/DESCRIPTION
△	
△	
△	
△	
△	
△	
△	

PROJECT TYPE
Single Family

PLAN NAME
Stonebrook

SHEET
3.28



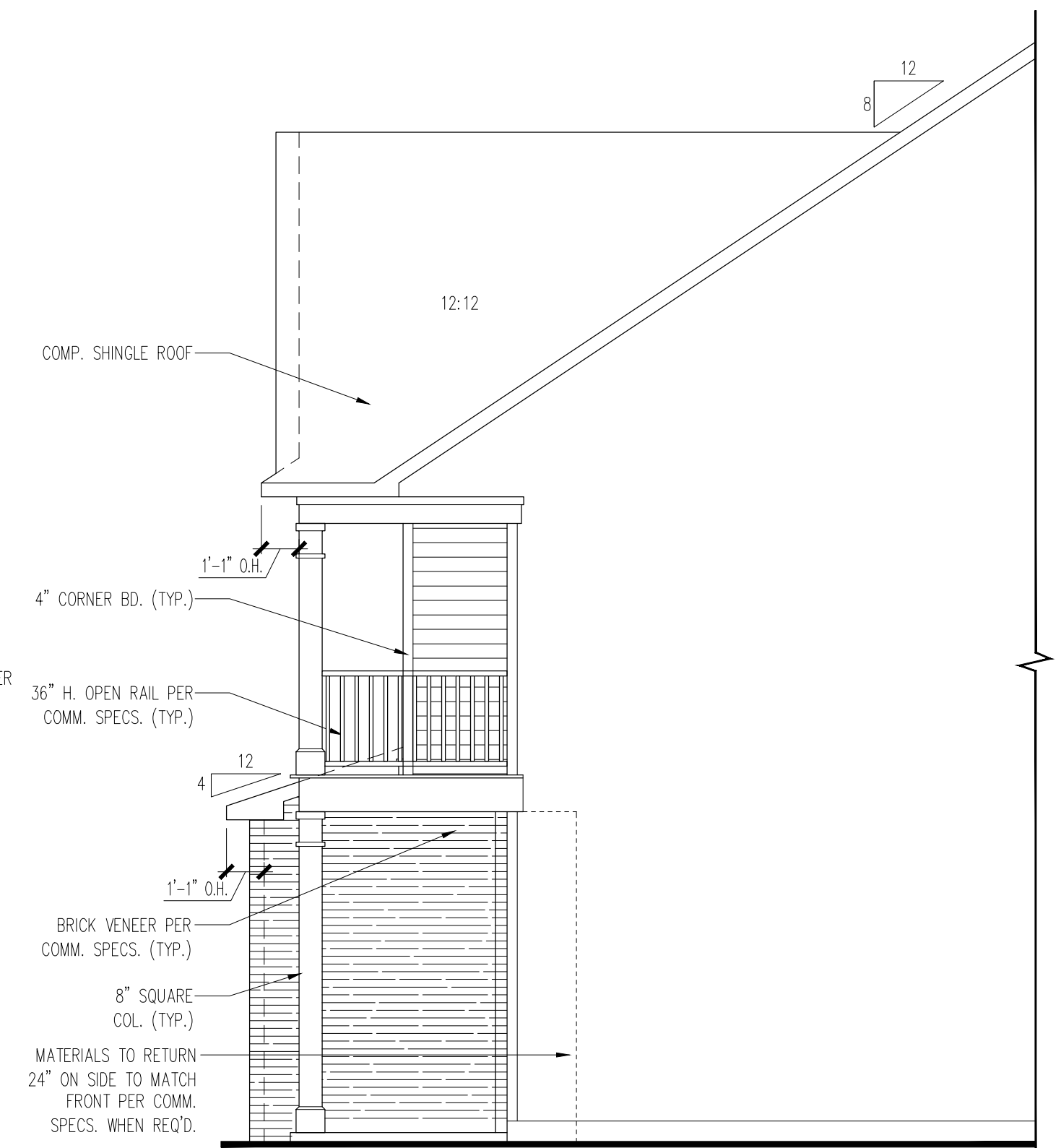
PARTIAL LEFT SIDE ELEVATION

SCALE: 1/4"=1'-0"



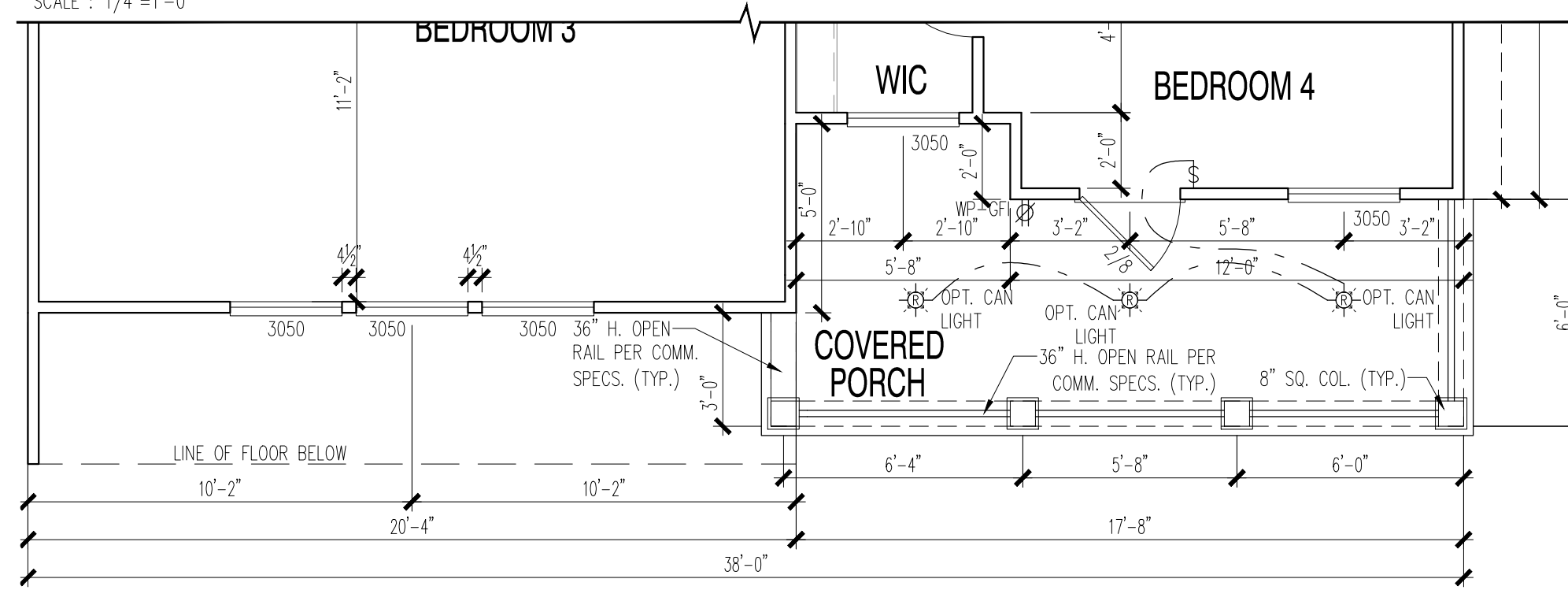
FRONT ELEVATION 28 W/ OPT 4' GARAGE EXTENSION

SCALE: 1/4"=1'-0"



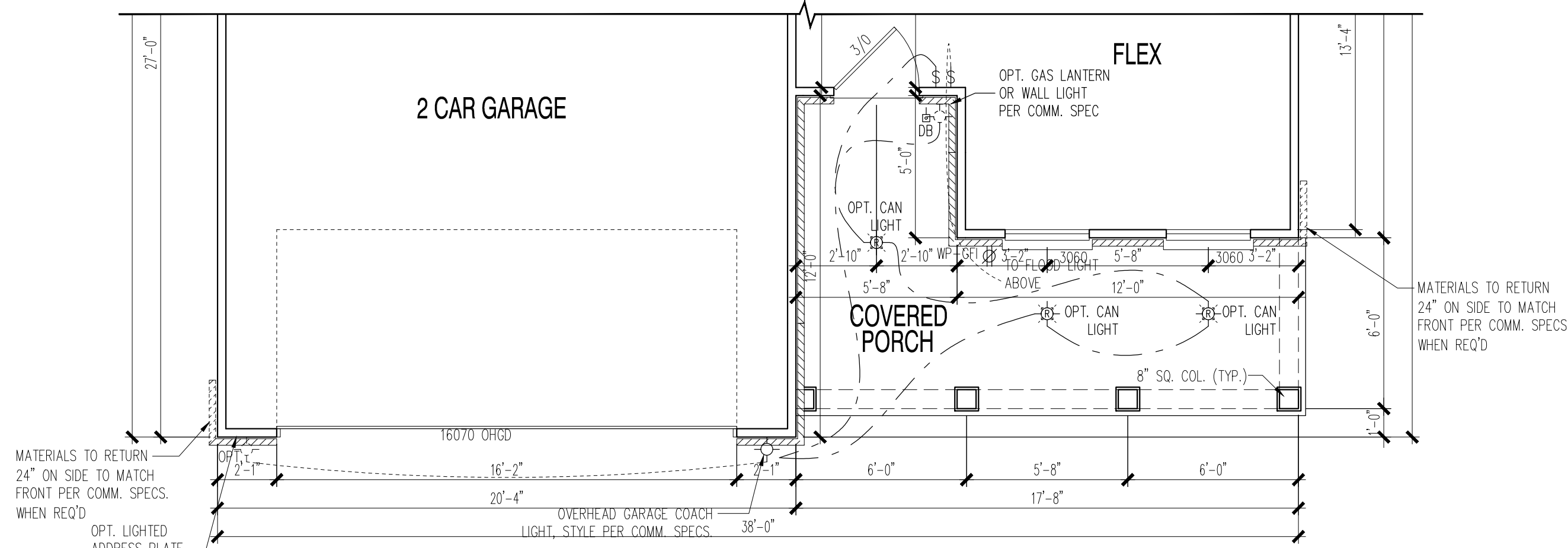
PARTIAL RIGHT SIDE ELEVATION

SCALE: 1/4"=1'-0"



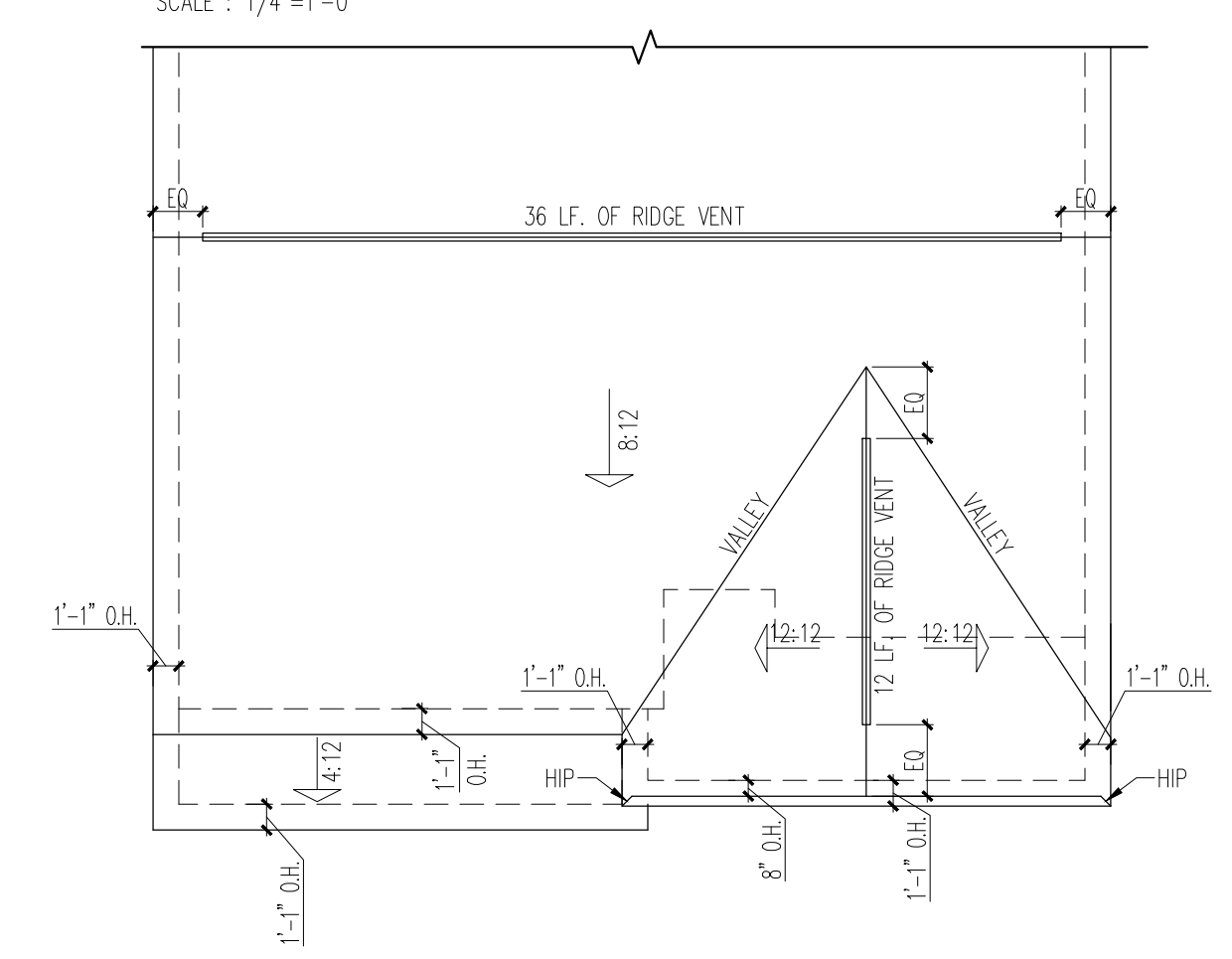
PARTIAL SECOND FLOOR PLAN

SCALE: 1/4"=1'-0"



PARTIAL FIRST FLOOR PLAN

SCALE: 1/4"=1'-0"



PARTIAL ROOF PLAN

SCALE: 1/8" = 1'-0"

ATTIC VENTILATION: (300 SQ FT ATTIC SPACE / 1 SQ FT VENTILATION)
W/ 40%-50% REQ. VENTS GREATER THAN OR EQUAL TO 3' ABOVE
EAVE / CORNICE VENTS PER R806.2

ELEVATION "28" W/
GARAGE EXT. 2216 SQ FT UNDER ROOF ATTIC /
300 SQ FT / 1 SQ FT = 7.39 SQ FT VENTILATION

7.39 SQ FT x 50% = 3.693 SQ FT RIDGE, 7.39 SQ FT x 50% = 3.693 SQ FT SOFFIT
RIDGE VENT OR W/ HIP, BOX VENT
3.693 SQ FT = 29.5 FEET OF RIDGE VENT 3.693 SQ FT = 10.6 BOX VENT(S)
0.125 SQ FT 0.3472 SQ FT
SOFFIT VENT
3.693 SQ FT = 59.1 FEET OF SOFFIT VENT
0.0625 SQ FT

*CALCULATIONS REFLECT 50 % RIDGE AND 50 % SOFFIT VENTS ALLOWABLE PER SECTION R806.2

The STONEBROOK
 ELEVATION 28-ALT. ROOF PITCH W OPT.
 4 GAR.EXT

PRODUCT MANAGER

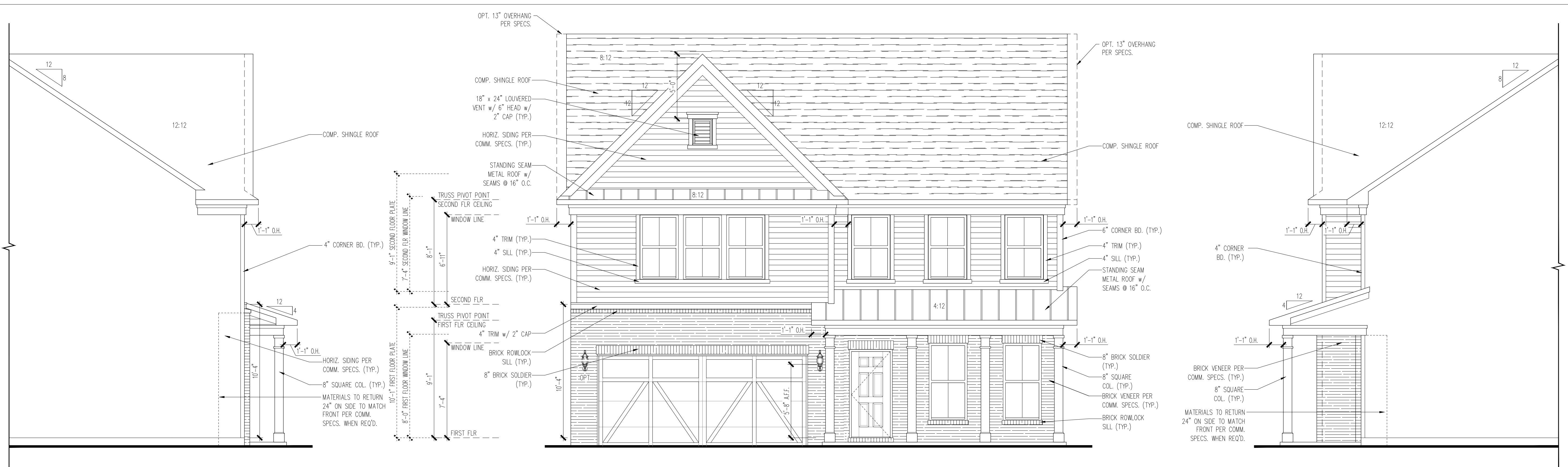
INITIAL RELEASE DATE:

REV#	DATE/DESCRIPTION

PROJECT TYPE
Single Family

PLAN NAME
Stonebrook

SHEET
3.28.1



PARTIAL LEFT SIDE ELEVATION

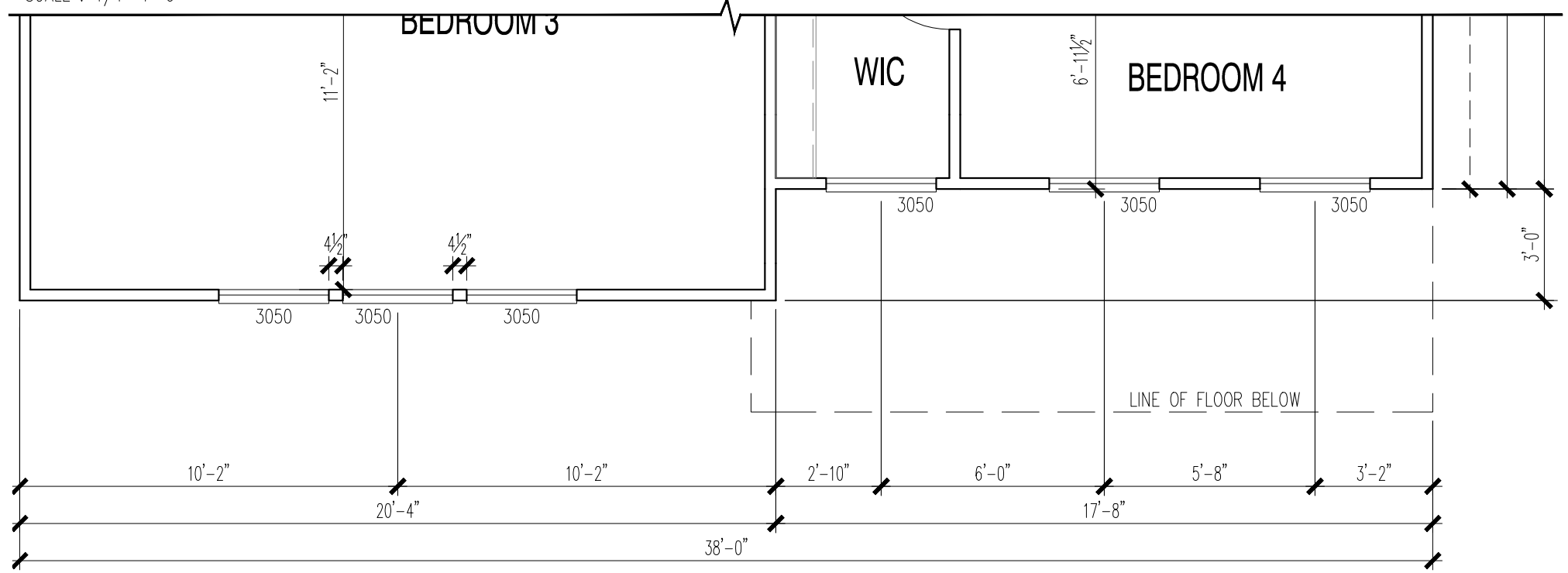
SCALE : 1/4"=1'-0"

FRONT ELEVATION 29

SCALE : 1/4"=1'-0"

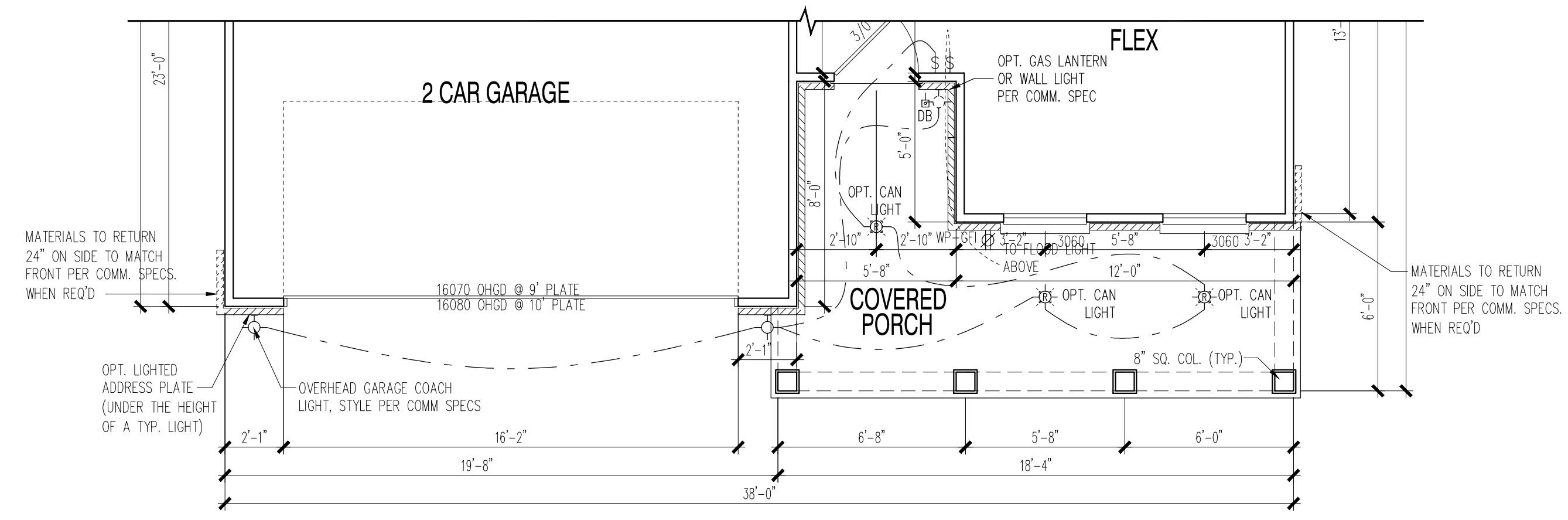
PARTIAL RIGHT SIDE ELEVATION

SCALE : 1/4"=1'-0"



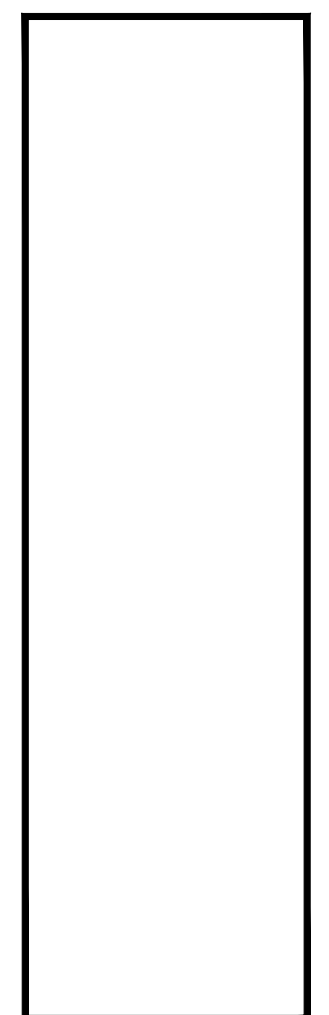
PARTIAL SECOND FLOOR PLAN

SCALE : 1/4"=1'-0"



PARTIAL FIRST FLOOR PLAN

SCALE : 1/4"=1'-0"



The STONEBROOK
ELEVATION 29 - ALT. ROOF PITCH

PRODUCT MANAGER	
INITIAL RELEASE DATE:	
REV#	DATE/DESCRIPTION
△	
△	
△	
△	
△	
△	
△	

PROJECT TYPE
Single Family

PLAN NAME
Stonebrook

SHEET
3.29



PARTIAL LEFT SIDE ELEVATION

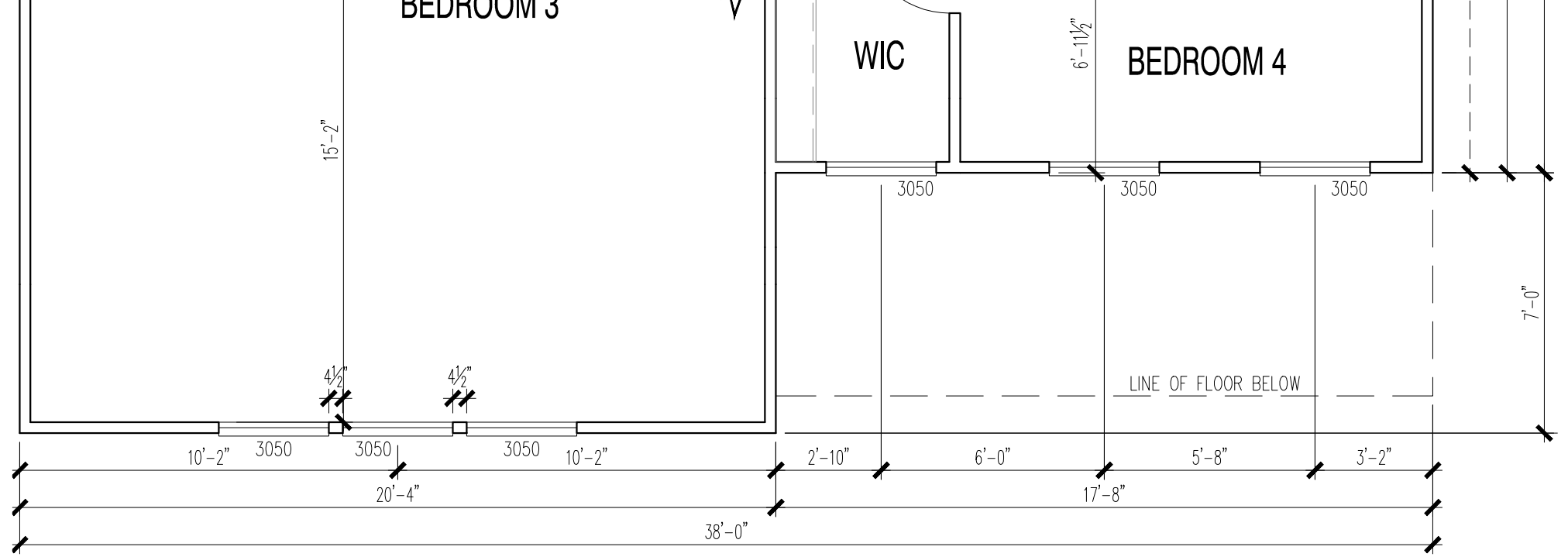
SCALE : 1/4"=1'-0"

FRONT ELEVATION 29 W/ OPT. 4' GARAGE EXTENSION

SCALE : 1/4"=1'-0"

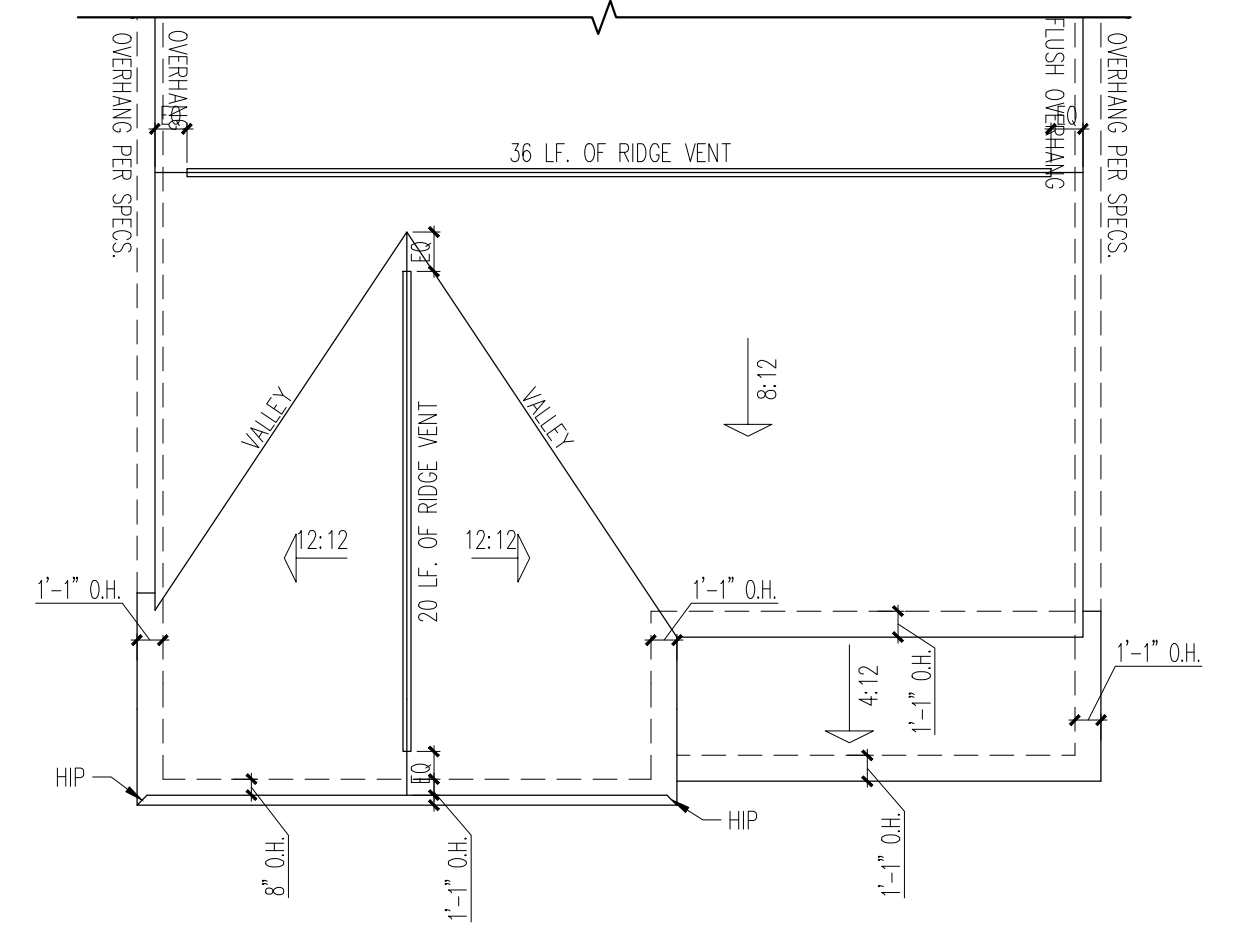
PARTIAL RIGHT SIDE ELEVATION

SCALE : 1/4"=1'-0"



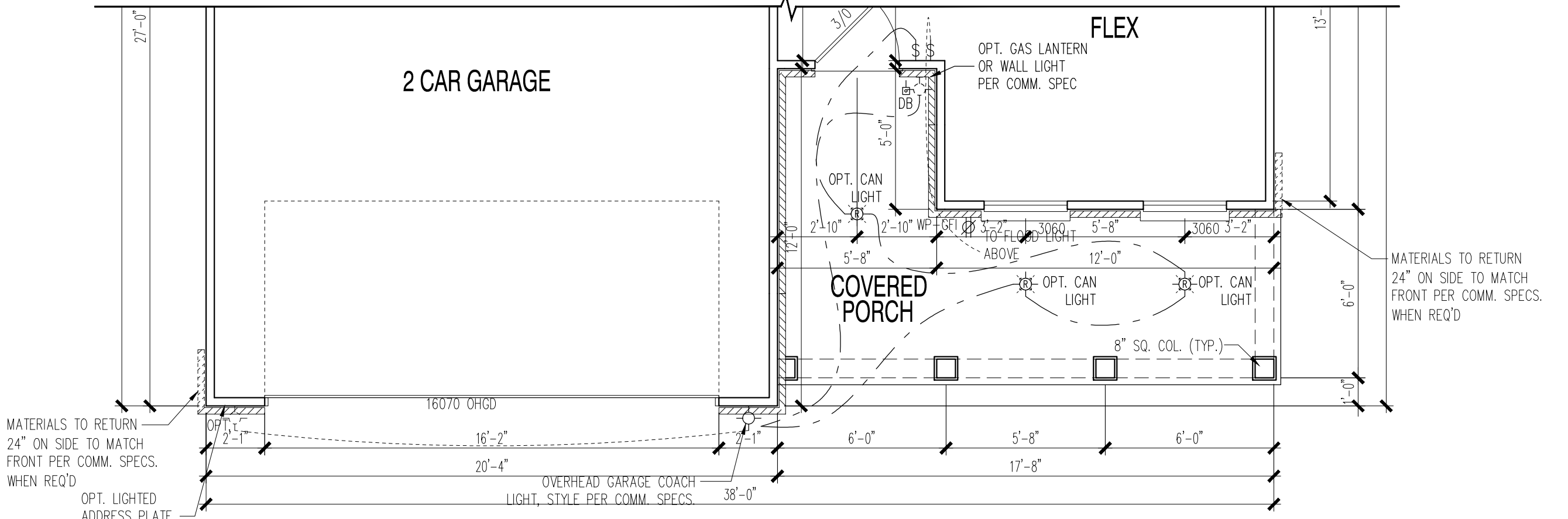
PARTIAL SECOND FLOOR PLAN

SCALE : 1/4"=1'-0"



PARTIAL ROOF PLAN

SCALE : 1/8" = 1'-0"



PARTIAL FIRST FLOOR PLAN

SCALE : 1/4"=1'-0"

ATTIC VENTILATION : (300 SQ FT ATTIC SPACE / 1 SQ FT VENTILATION)
 W/ 40%-50% REQ. VENTS GREATER THAN OR EQUAL TO 3' ABOVE
 EAVE / CORNICE VENTS PER R806.2

ELEVATION "29" w/
 GARAGE EXT. 2190 SQ FT UNDER ROOF ATTIC /
 300 SQ FT / 1 SQ FT = 7.30 SQ FT VENTILATION

RIDGE VENT 18 SQ IN = (.125 SQ FT)
 BOX VENT 50 SQ IN = (.3472 SQ FT)
 SOFFIT VENT 9 SQ IN = (.0625 SQ FT)

7.30 SQ FT x 50% = 3.650 SQ FT RIDGE, 7.30 SQ FT x 50% = 3.650 SQ FT SOFFIT
 RIDGE VENT OR W/ HIP, BOX VENT
 3.650 SQ FT = 29.2 FEET OF RIDGE VENT 3.650 SQ FT = 10.5 BOX VENT(S)
 0.125 SQ FT 0.3472 SQ FT

SOFFIT VENT
 3.650 SQ FT = 58.4 FEET OF SOFFIT VENT
 0.0625 SQ FT

*CALCULATIONS REFLECT 50 % RIDGE AND 50 % SOFFIT VENTS ALLOWABLE PER SECTION R806.2

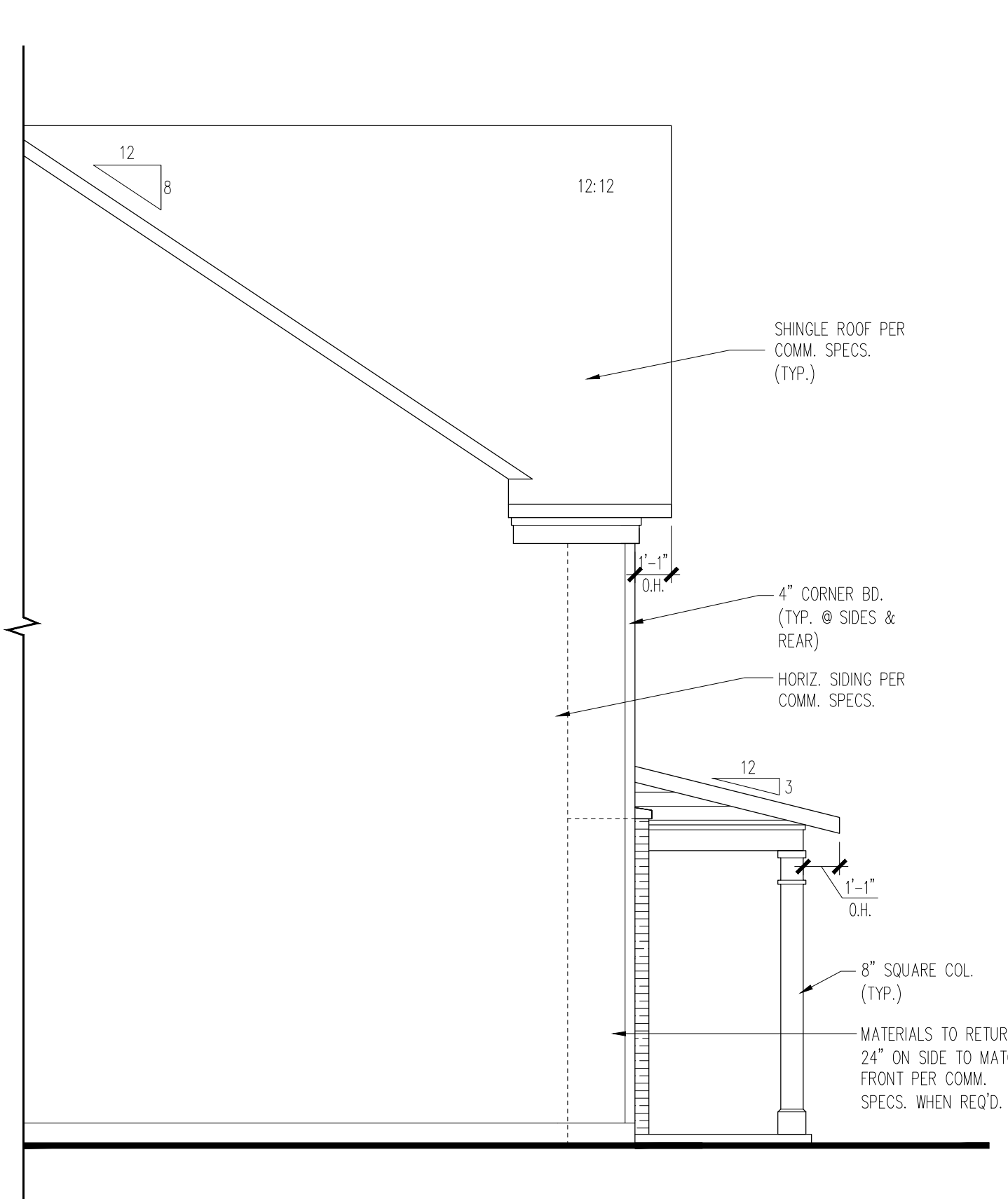
The STONEBROOK
 ELEVATION 29 - ALT. ROOF PITCH W OPT. 4' GARAGE EXTENSION

PRODUCT MANAGER
 INITIAL RELEASE DATE:
 REV# DATE/DESCRIPTION

PROJECT TYPE
Single Family

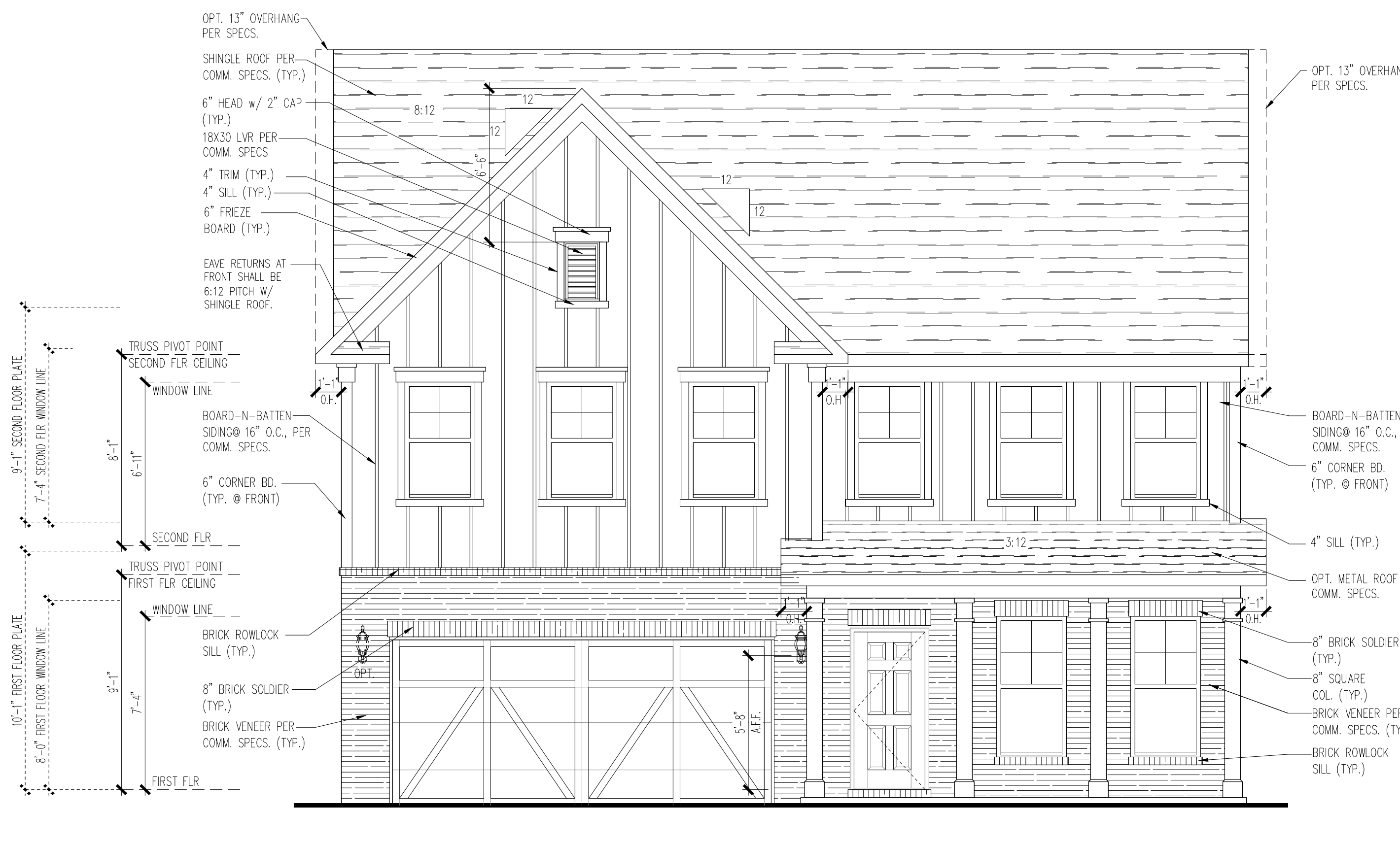
PLAN NAME
Stonebrook

SHEET
3.29.1



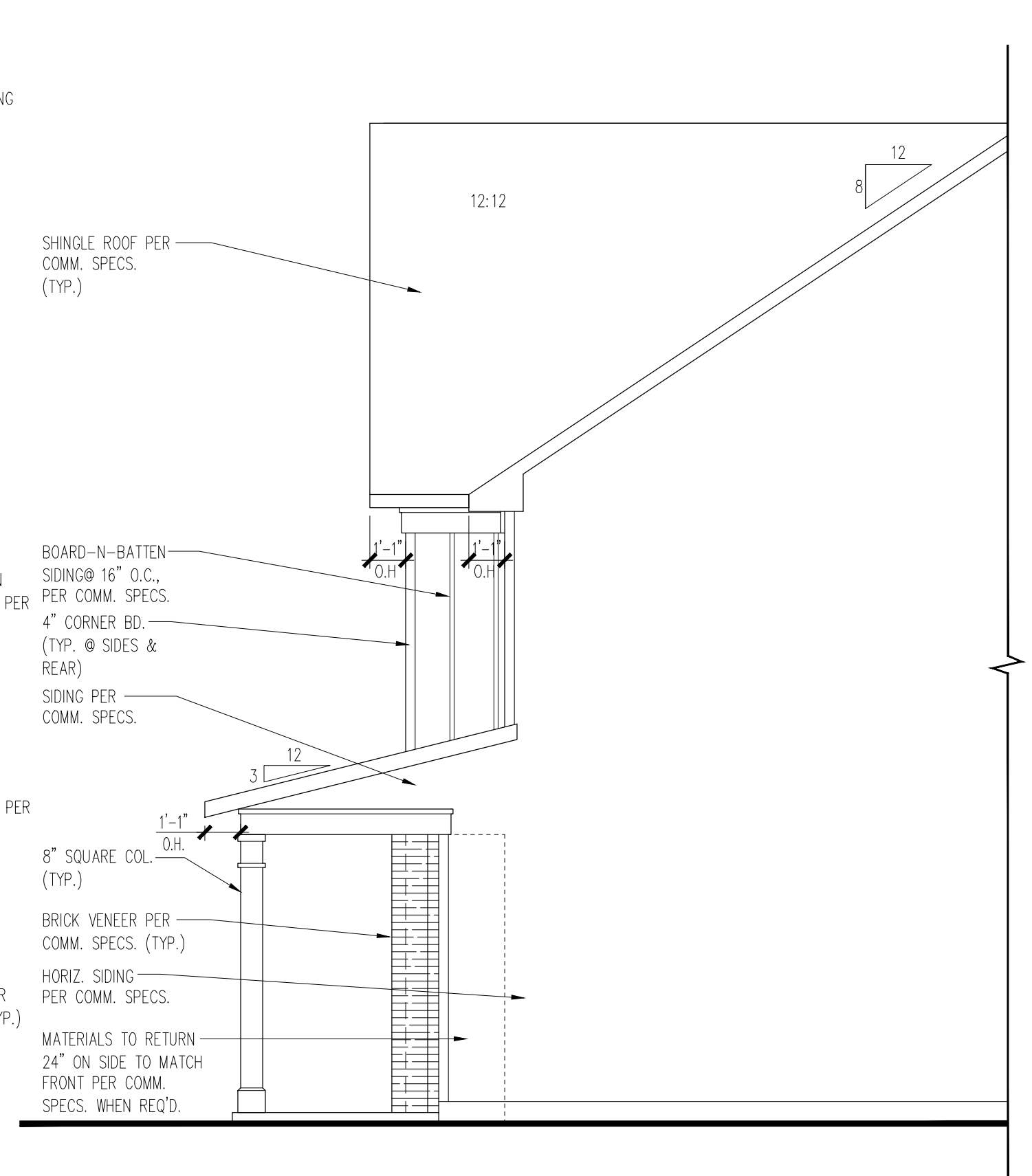
PARTIAL LEFT SIDE ELEVATION

SCALE : 1/4"=1'-0"



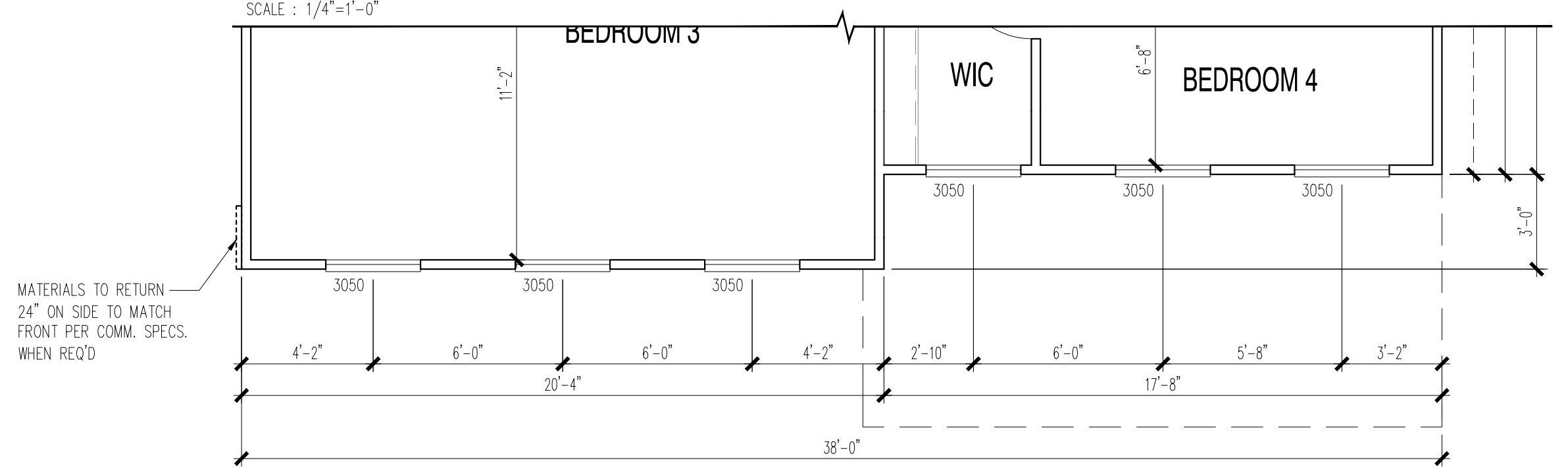
FRONT ELEVATION 30

SCALE : 1/4"=1'-0"



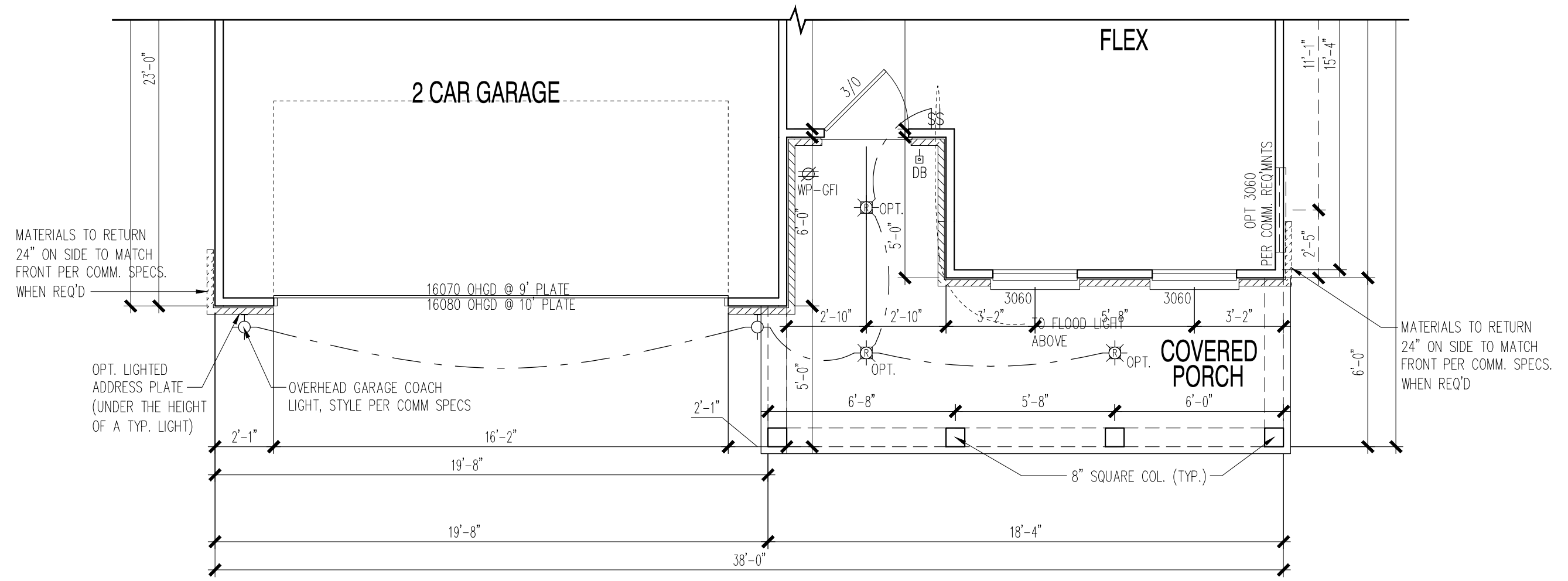
PARTIAL RIGHT SIDE ELEVATION

SCALE : 1/4"=1'-0"



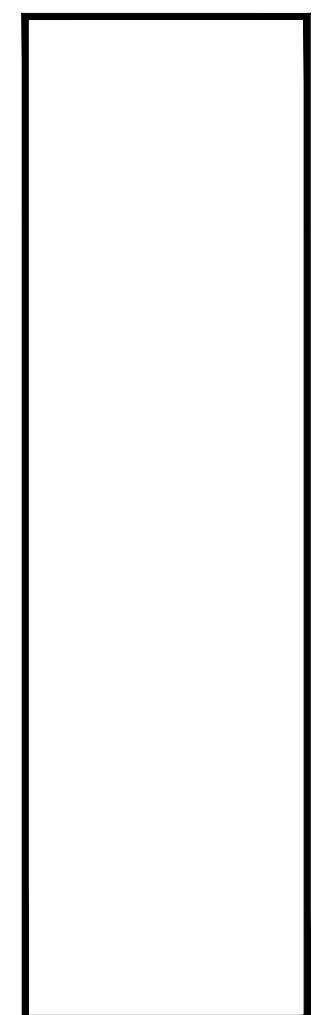
PARTIAL SECOND FLOOR PLAN

SCALE : 1/4"=1'-0"



PARTIAL FIRST FLOOR PLAN

SCALE : 1/4"=1'-0"



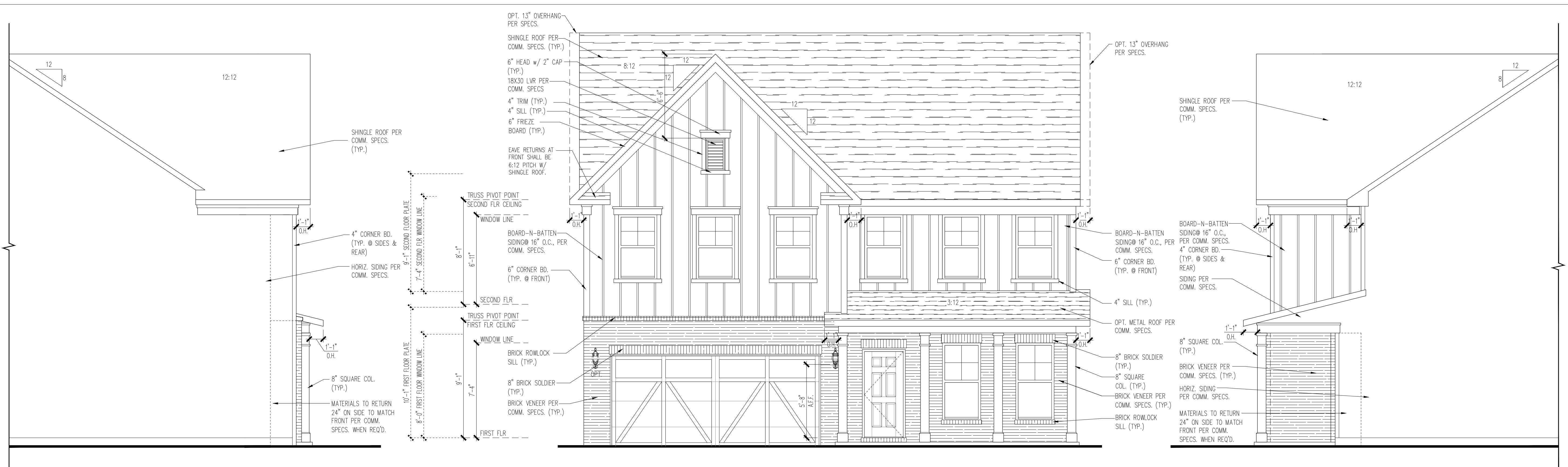
The STONEBROOK
ELEVATION 30

PRODUCT MANAGER	
INITIAL RELEASE DATE:	
REV#	DATE/DESCRIPTION
△	
△	
△	
△	
△	
△	
△	

PROJECT TYPE
Single Family

PLAN NAME
Stonebrook

SHEET
3.30



PARTIAL LEFT SIDE ELEVATION

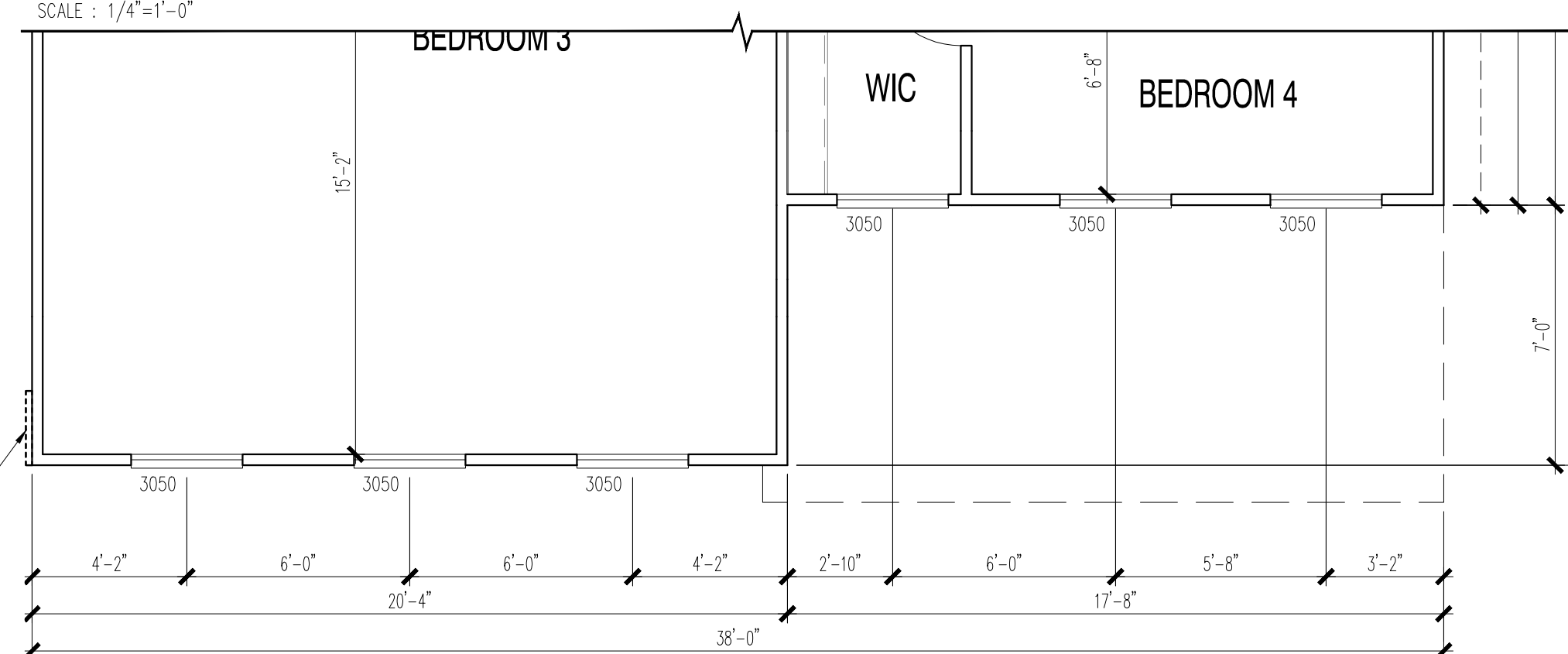
SCALE : 1/4"=1'-0"

FRONT ELEVATION 30 W/ OPT 4' GARAGE EXTENSION

SCALE : 1/4"=1'-0"

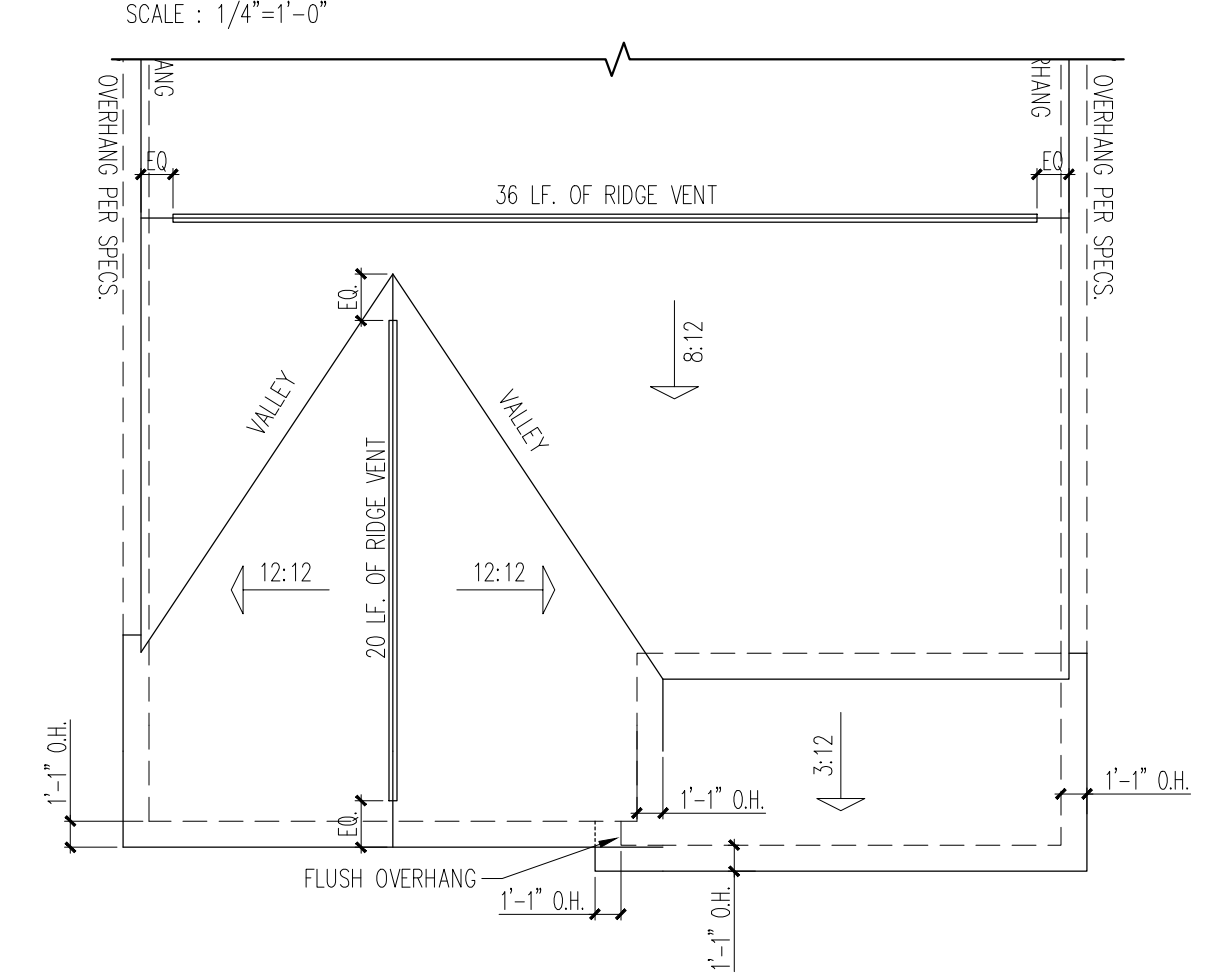
PARTIAL RIGHT SIDE ELEVATION

SCALE : 1/4"=1'-0"



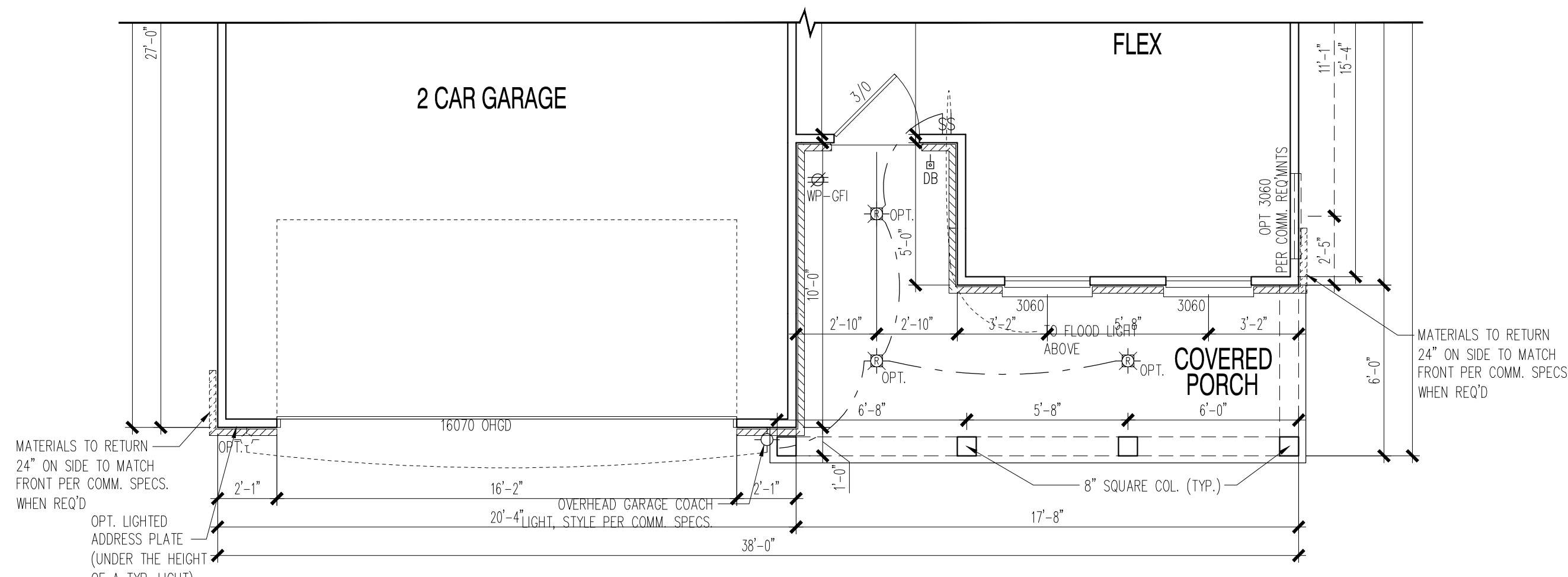
PARTIAL SECOND FLOOR PLAN

SCALE : 1/4"=1'-0"



PARTIAL ROOF PLAN

SCALE : 1/8" = 1'-0"



PARTIAL FIRST FLOOR PLAN

SCALE : 1/4"=1'-0"

ATTIC VENTILATION : (300 SQ FT ATTIC SPACE / 1 SQ FT VENTILATION)
W/ 40%-50% REQ. VENTS GREATER THAN OR EQUAL TO 3" ABOVE
EAVE / CORNICE VENTS PER R806.2

ELEVATION "30" w/
GARAGE EXT. 1546 SQ FT UNDER ROOF ATTIC /
300 SQ FT / 1 SQ FT = 5.15 SQ FT VENTILATION

RIDGE VENT 18 SQ IN = (.125 SQ FT)
BOX VENT 50 SQ IN = (.3472 SQ FT)
SOFFIT VENT 9 SQ IN = (.0625 SQ FT)

5.15 SQ FT x 50% = 2.5775 SQ FT RIDGE, 5.15 SQ FT x 50% = 2.5775 SQ FT SOFFIT
RIDGE VENT OR W/ HIP, BOX VENT
2.577 SQ FT = 20.6 FEET OF RIDGE VENT 2.577 SQ FT = 7.4 BOX VENT(S)
0.125 SQ FT 0.3472 SQ FT
SOFFIT VENT
2.577 SQ FT = 41.2 FEET OF SOFFIT VENT
0.0625 SQ FT

*CALCULATIONS REFLECT 50 % RIDGE AND 50 % SOFFIT VENTS ALLOWABLE PER SECTION R806.2

The STONEBROOK

ELEVATION 30 - W OPT. 4' GARAGE EXTENSION

PRODUCT MANAGER

INITIAL RELEASE DATE:

REV#	DATE/DESCRIPTION

PROJECT TYPE
Single Family

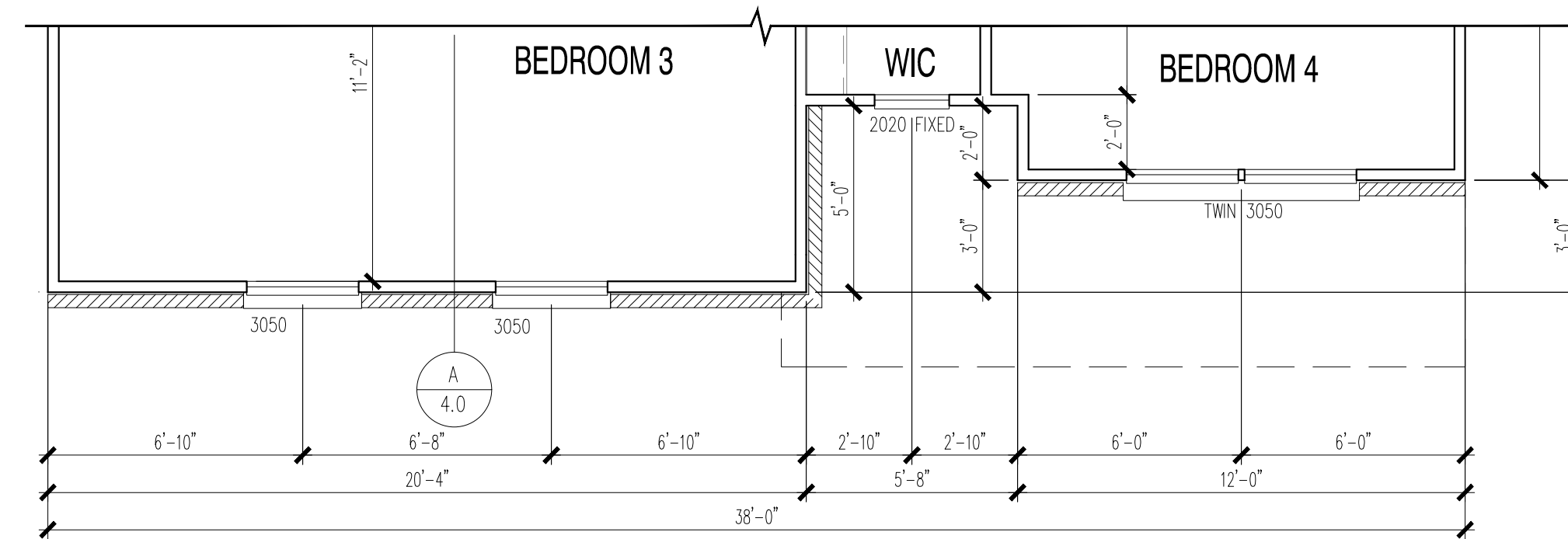
PLAN NAME
Stonebrook

SHEET
3.30.1



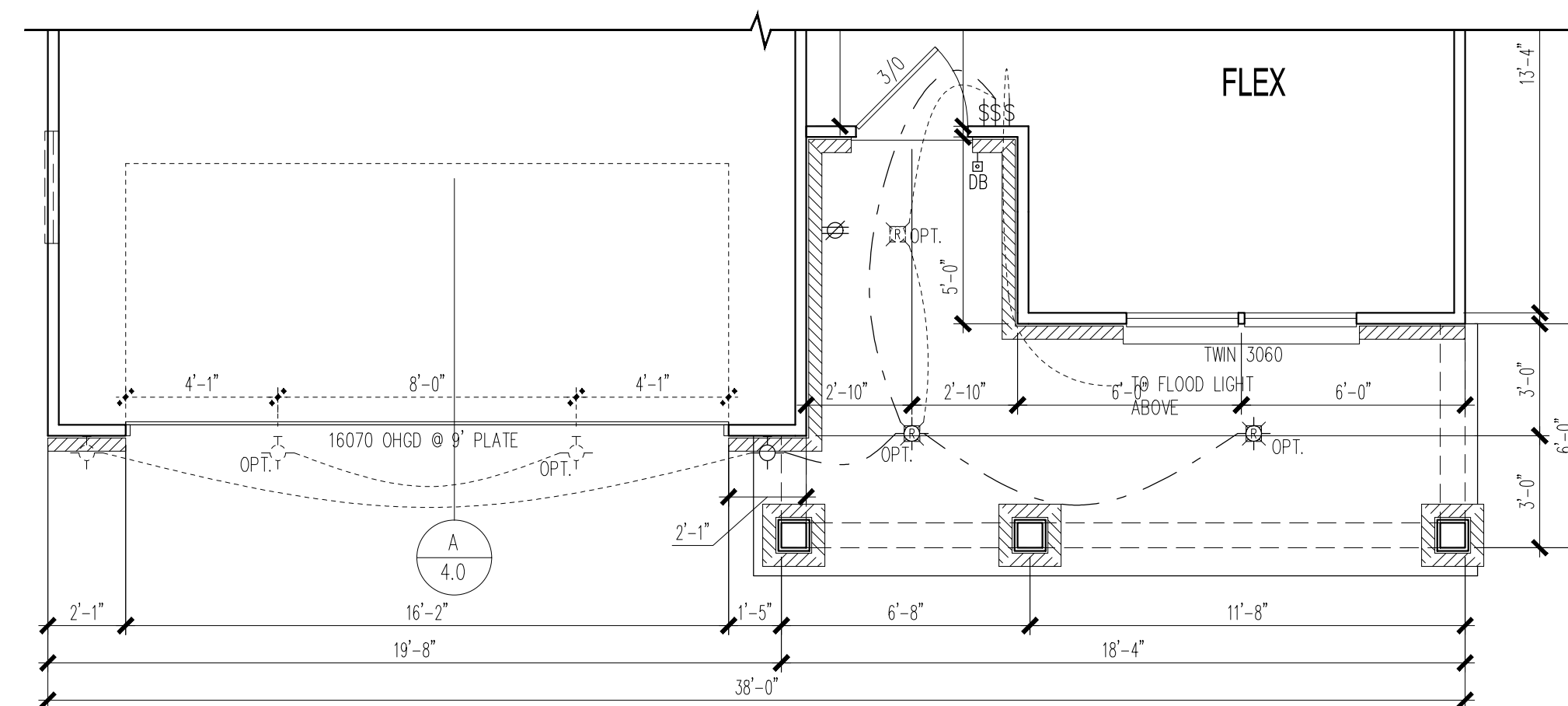
FRONT ELEVATION '59'

SCALE : 1/4"=1'-0"



PARTIAL SECOND FLOOR PLAN

SCALE : 1/4"=1'-0"



PARTIAL FIRST FLOOR PLAN

SCALE : 1/4"=1'-0"



The STONEBROOK
ELEVATION & ROOF PLAN 59
FRONT ENTRY GARAGE

PRODUCT MANAGER	
INITIAL RELEASE DATE:	
REV#	DATE/DESCRIPTION
△	
△	
△	
△	
△	
△	
△	

PROJECT TYPE
Single Family

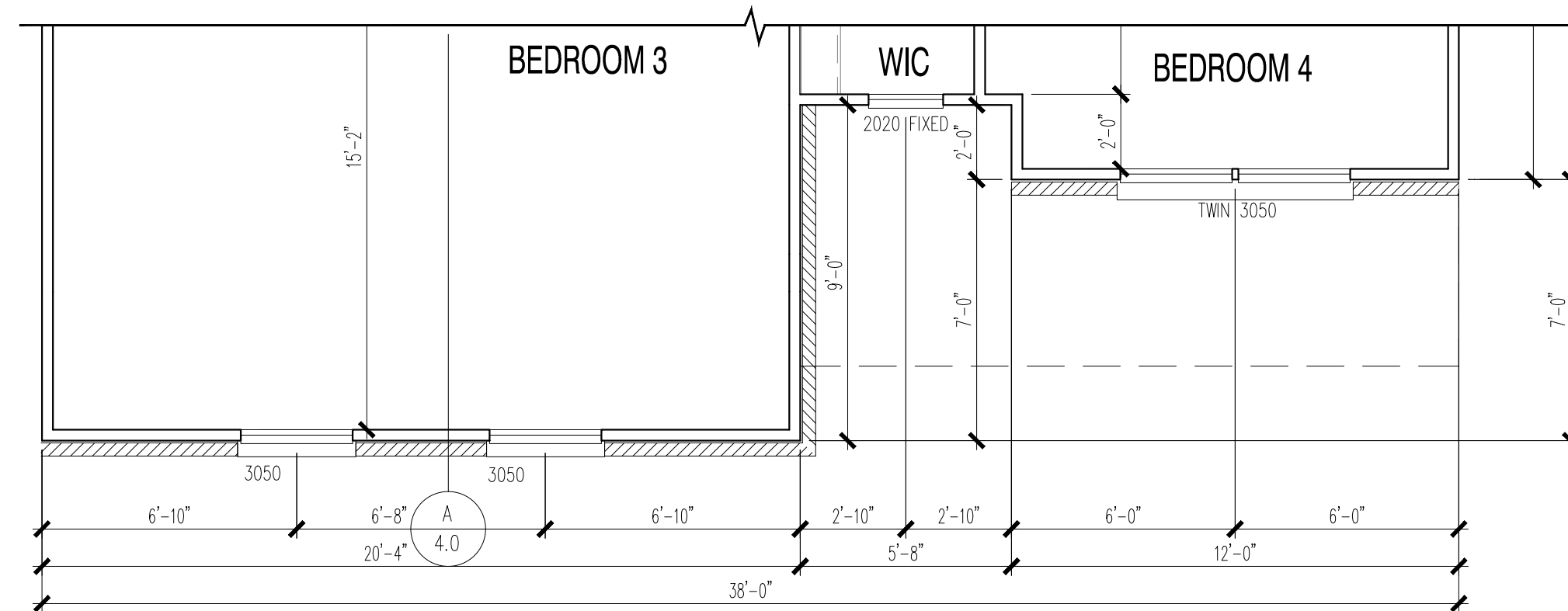
PLAN NAME
Stonebrook

SHEET
3.59.ALT



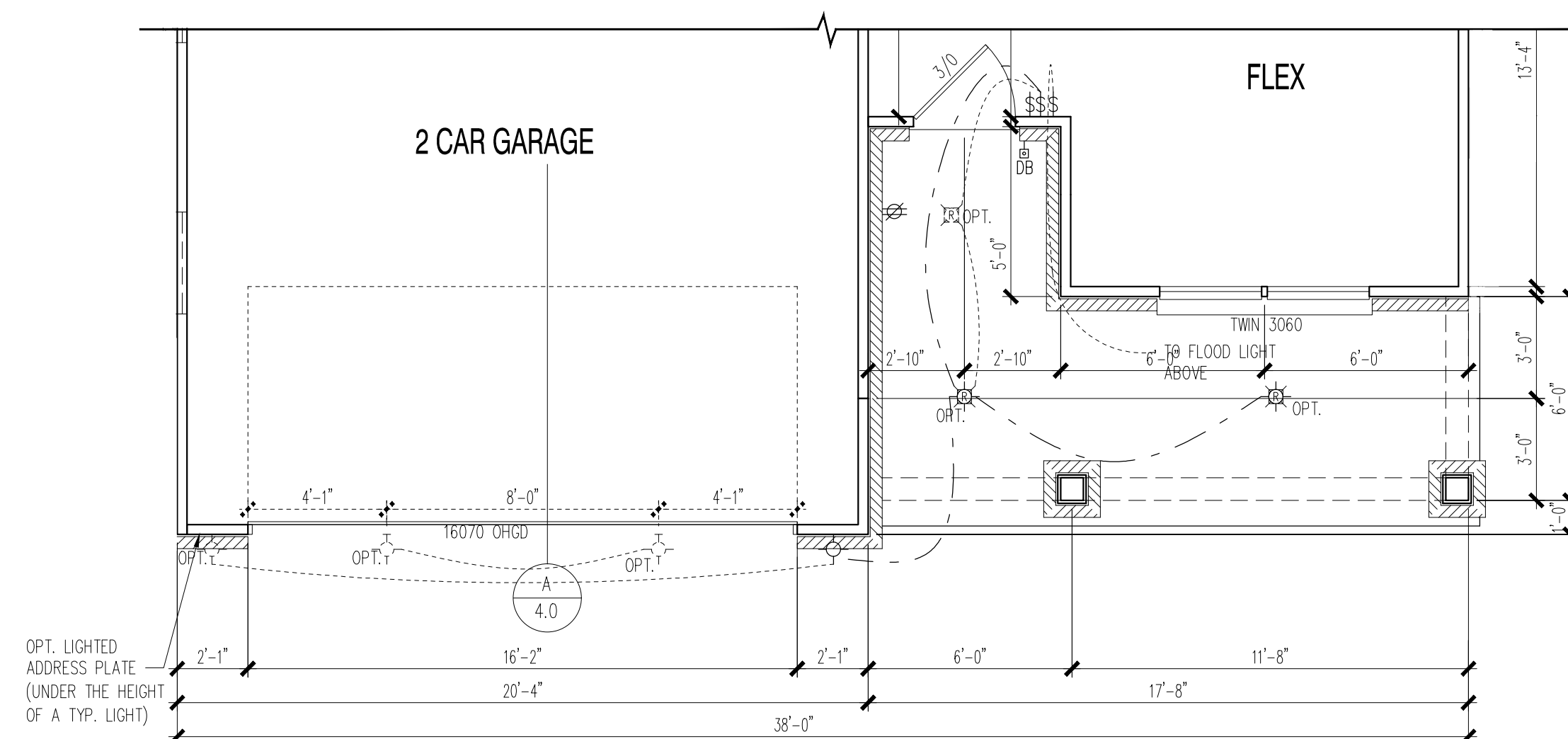
FRONT ELEVATION '59'

SCALE : 1/4"=1'-0"



PARTIAL SECOND FLOOR PLAN

SCALE : 1/4"=1'-0"



PARTIAL FIRST FLOOR PLAN

SCALE : 1/4"=1'-0"

The STONEBROOK
 ELEVATION 59 - FRONT ENTRY GARAGE
 WITH OPT. 4FT GARAGE EXT. & FULL BRICK SIDES

PRODUCT MANAGER

INITIAL RELEASE DATE:

REV#	DATE/DESCRIPTION

PROJECT TYPE

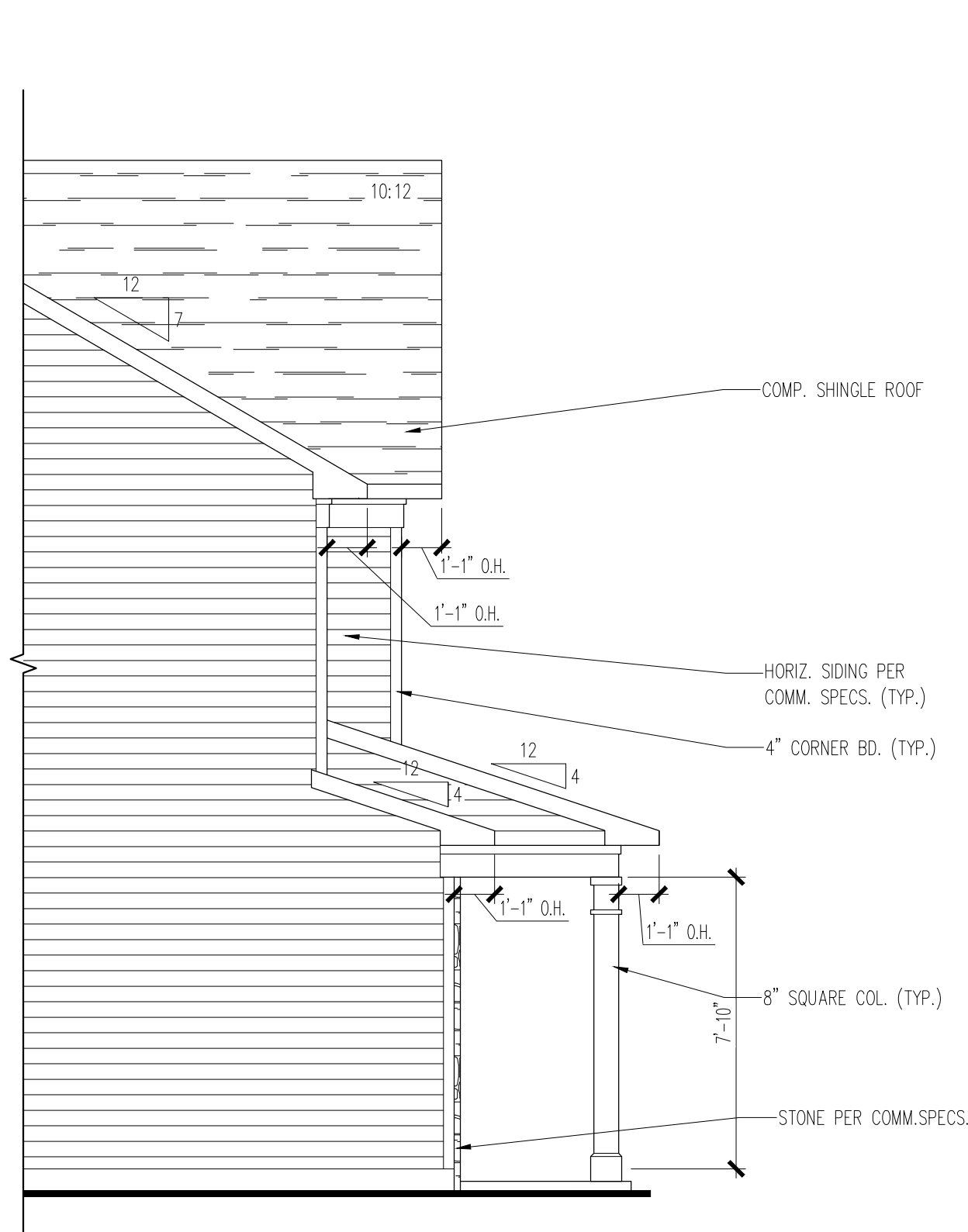
Single Family

PLAN NAME

Stonebrook

SHEET

3.59.2.ALT



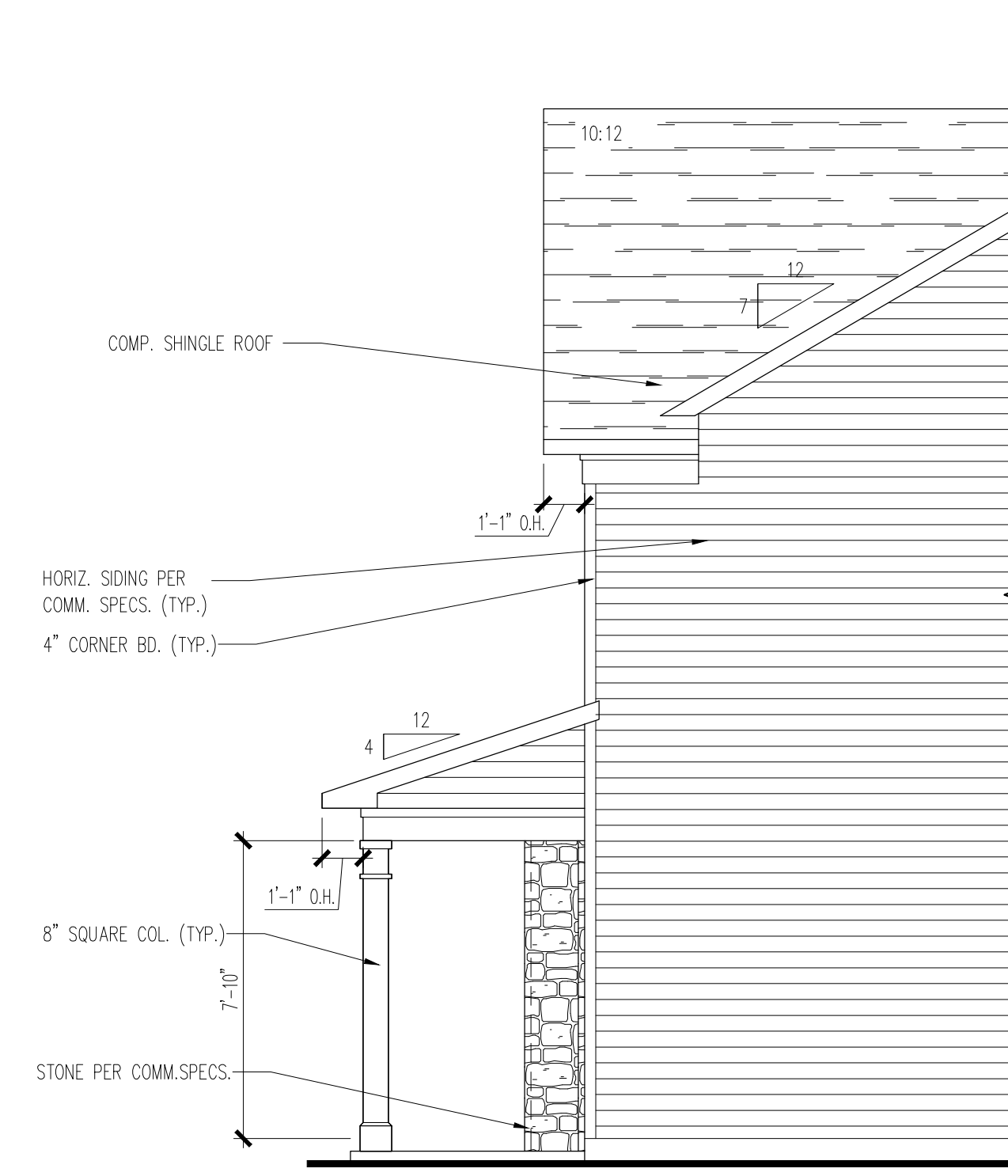
PARTIAL LEFT SIDE ELEVATION

SCALE : SCALE : 1/4" = 1'-0"



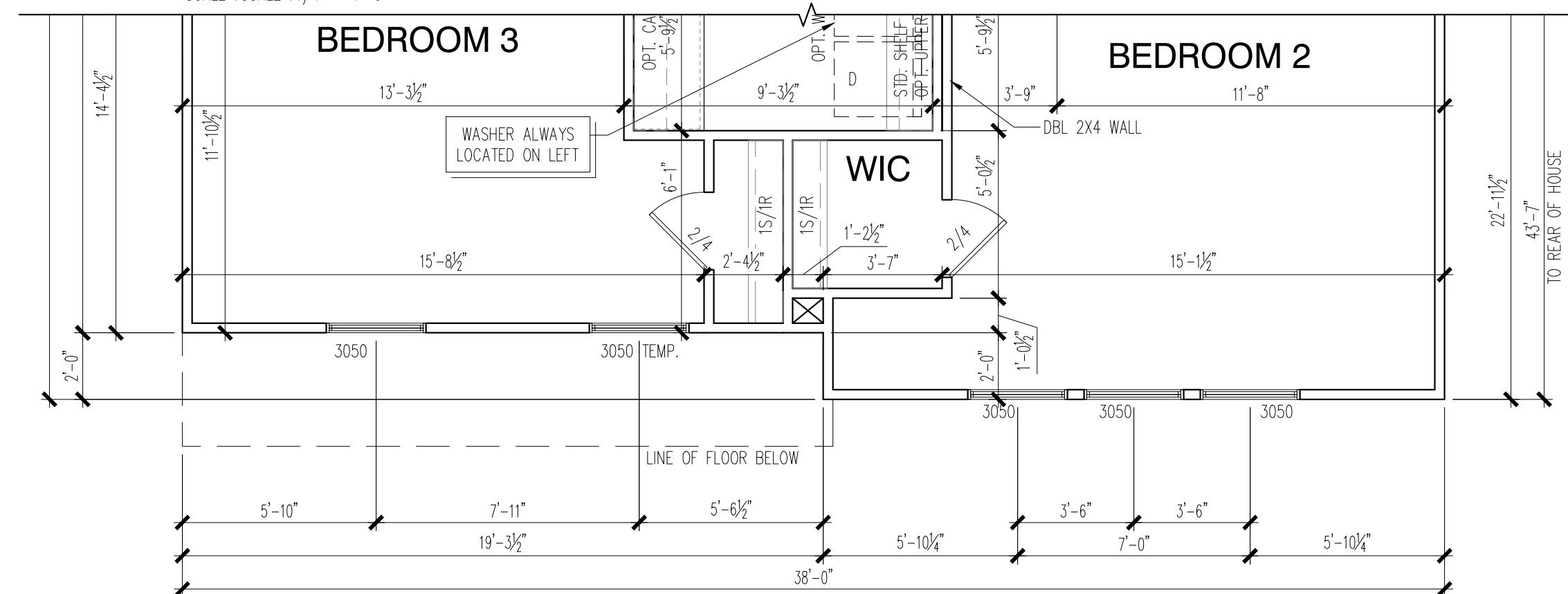
FRONT ELEVATION "5"

SCALE : SCALE : 1/4" = 1'-0"



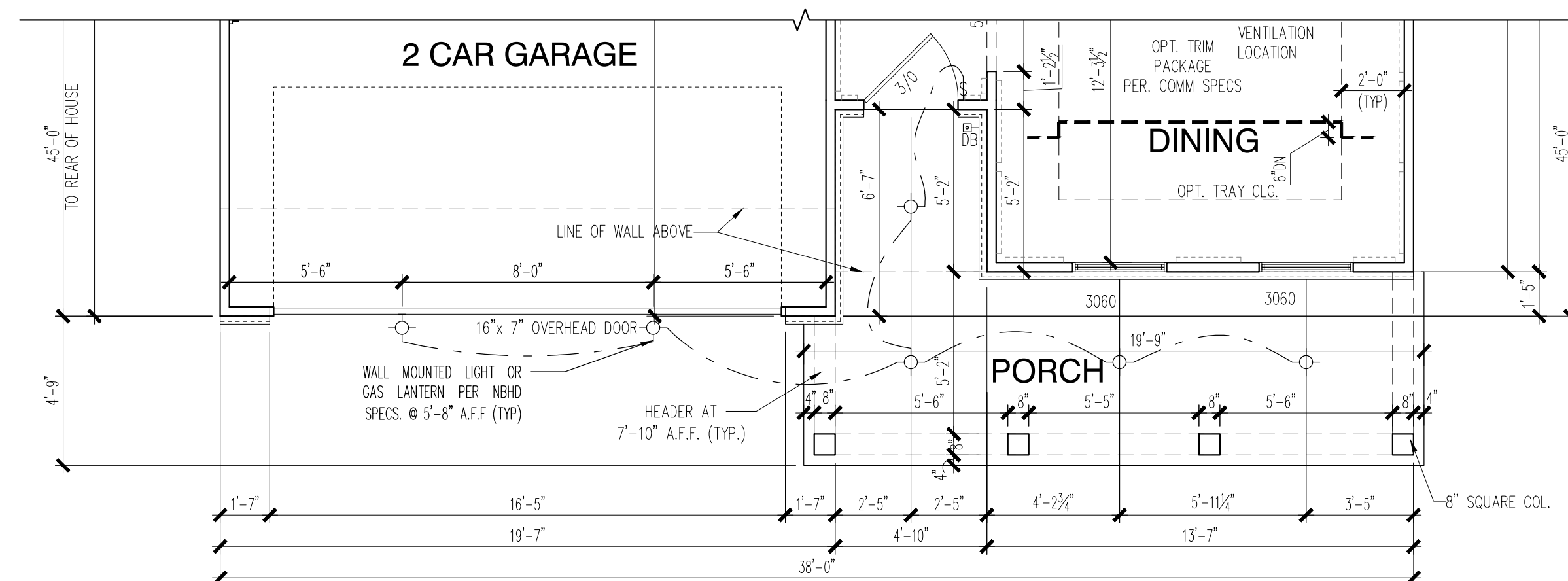
PARTIAL RIGHT SIDE ELEVATION

SCALE : SCALE : 1/4" = 1'-0"



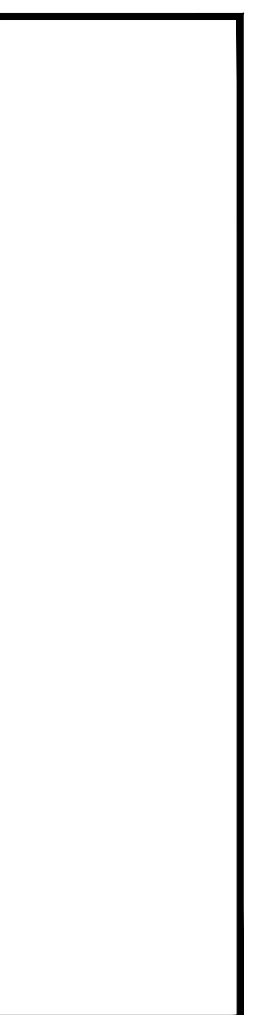
PARTIAL SECOND FLOOR PLAN

SCALE : SCALE : 1/4" = 1'-0"



PARTIAL FIRST FLOOR PLAN

SCALE : SCALE : 1/4" = 1'-0"



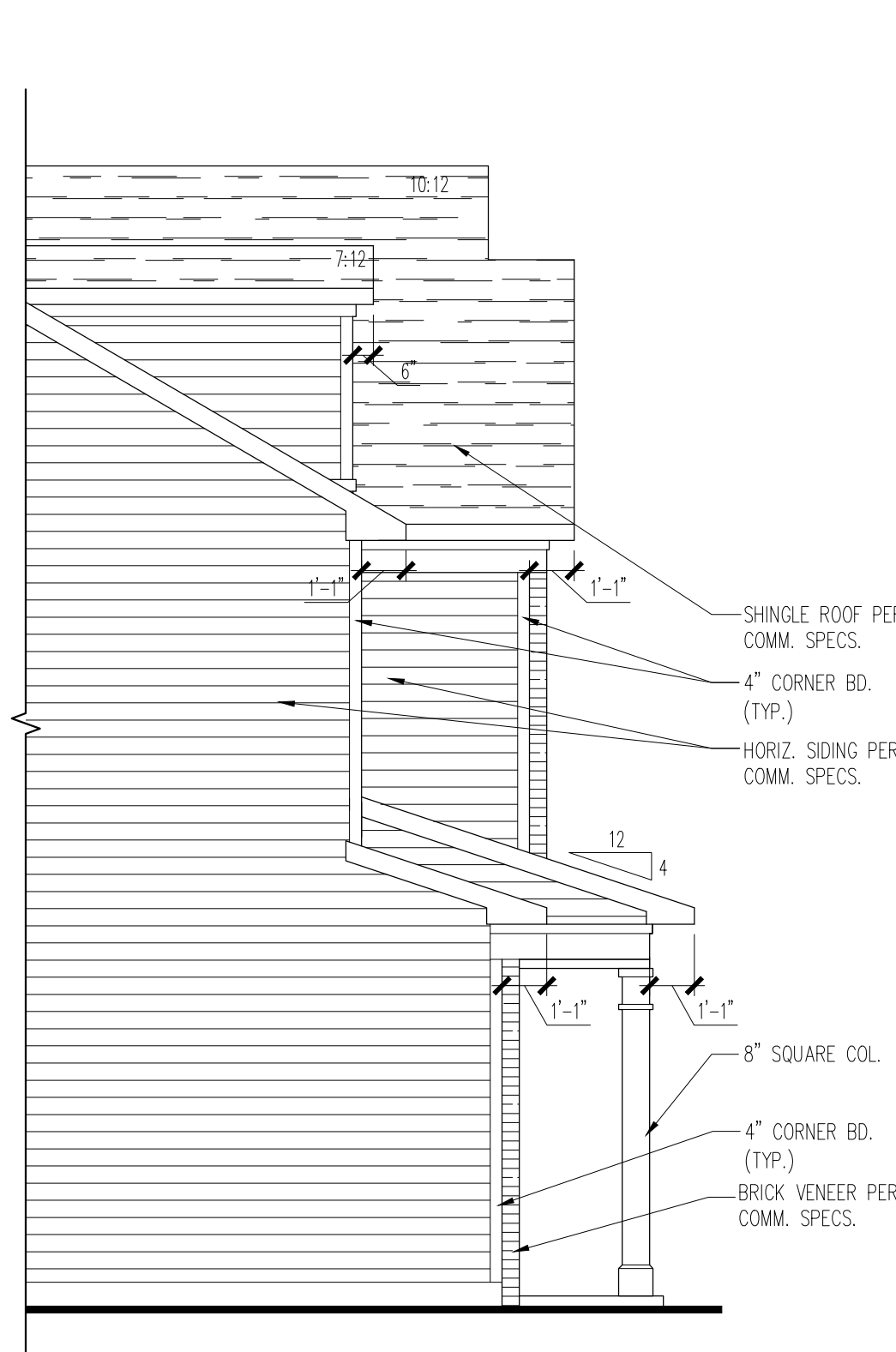
The MURPHY
FRONT ELEVATION 5

PRODUCT MANAGER	
INITIAL RELEASE DATE:	
REV#	DATE/DESCRIPTION
△	
△	
△	
△	
△	
△	
△	

PROJECT TYPE
Single Family

PLAN NAME
MURPHY

SHEET
3.5.0



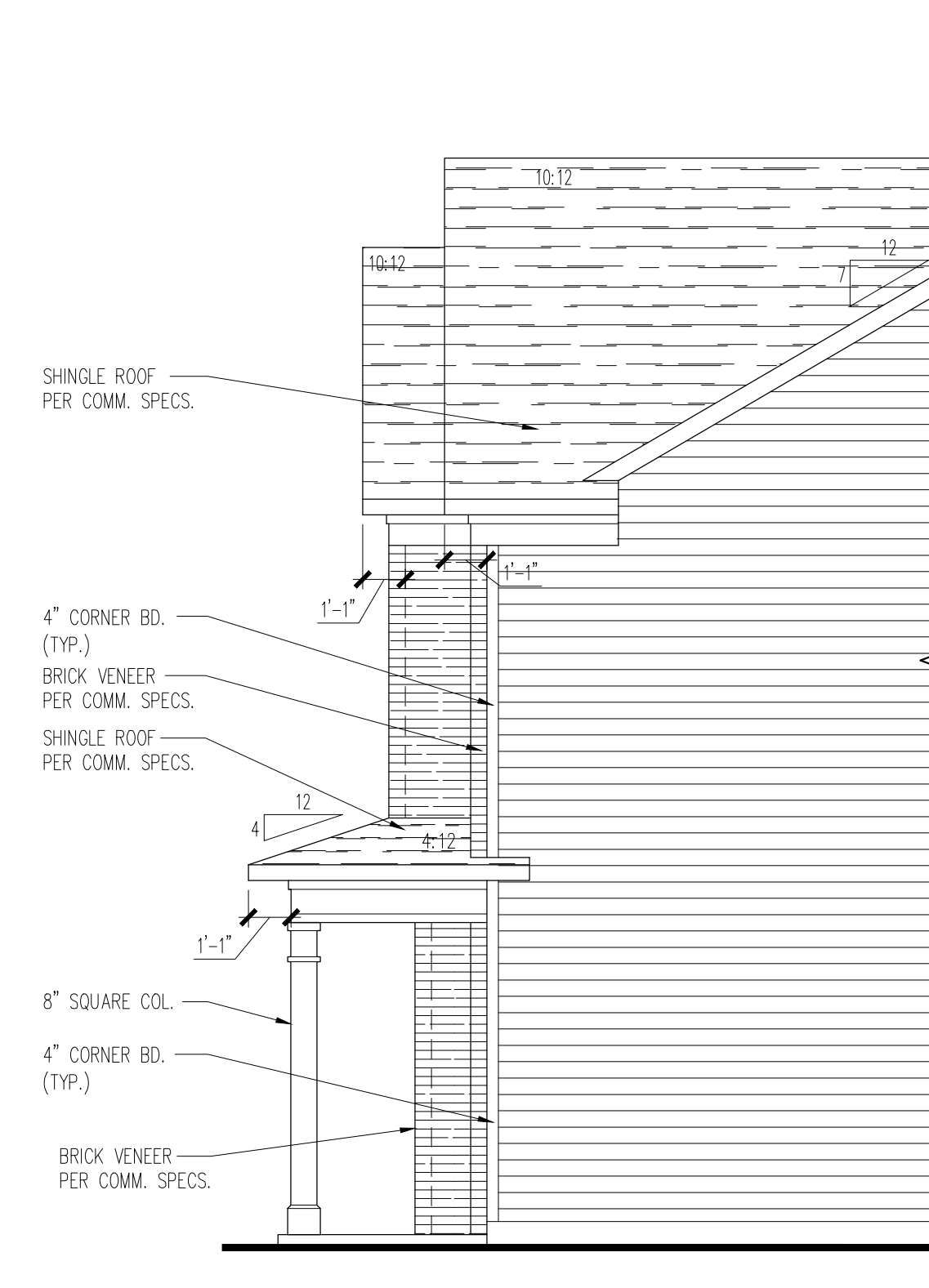
PARTIAL LEFT SIDE ELEVATION

SCALE : SCALE : 1/4" = 1'-0"



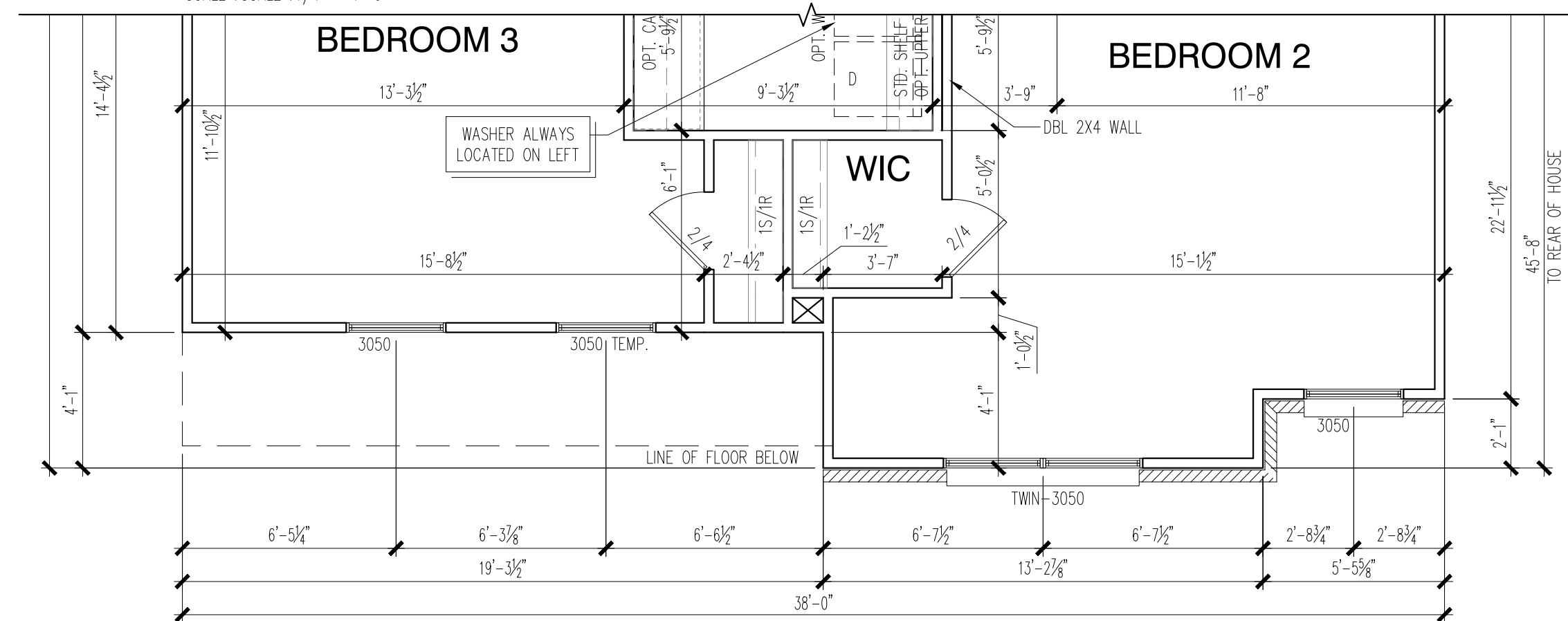
FRONT ELEVATION "6"

SCALE : SCALE : 1/4" = 1'-0"



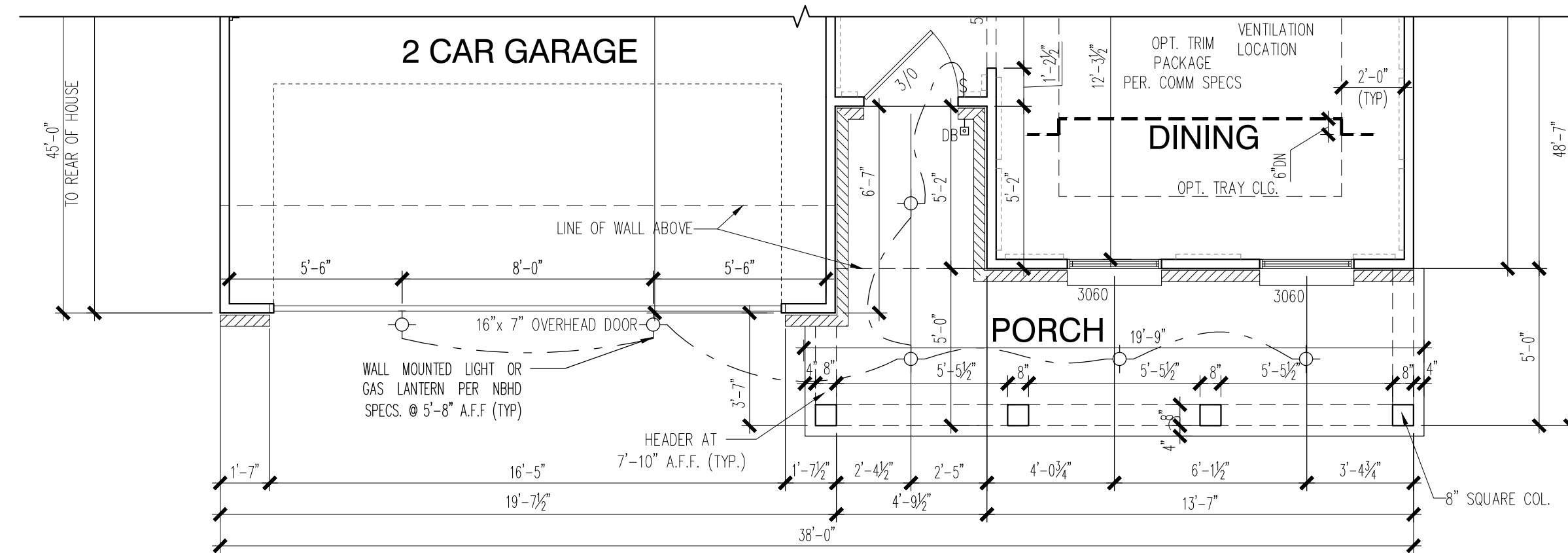
PARTIAL RIGHT SIDE ELEVATION

SCALE : SCALE : 1/4" = 1'-0"



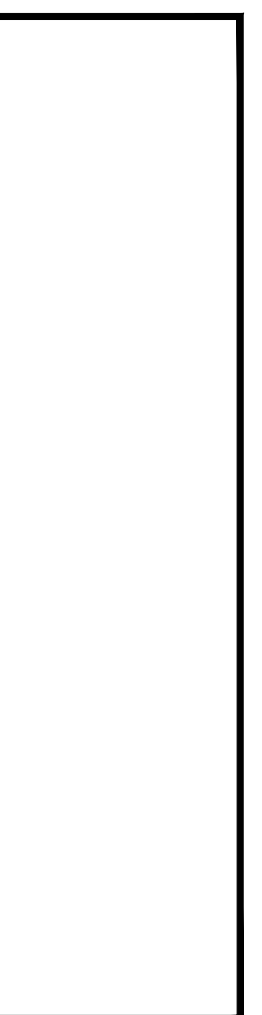
PARTIAL SECOND FLOOR PLAN

SCALE : SCALE : 1/4" = 1'-0"



PARTIAL FIRST FLOOR PLAN

SCALE : SCALE : 1/4" = 1'-0"



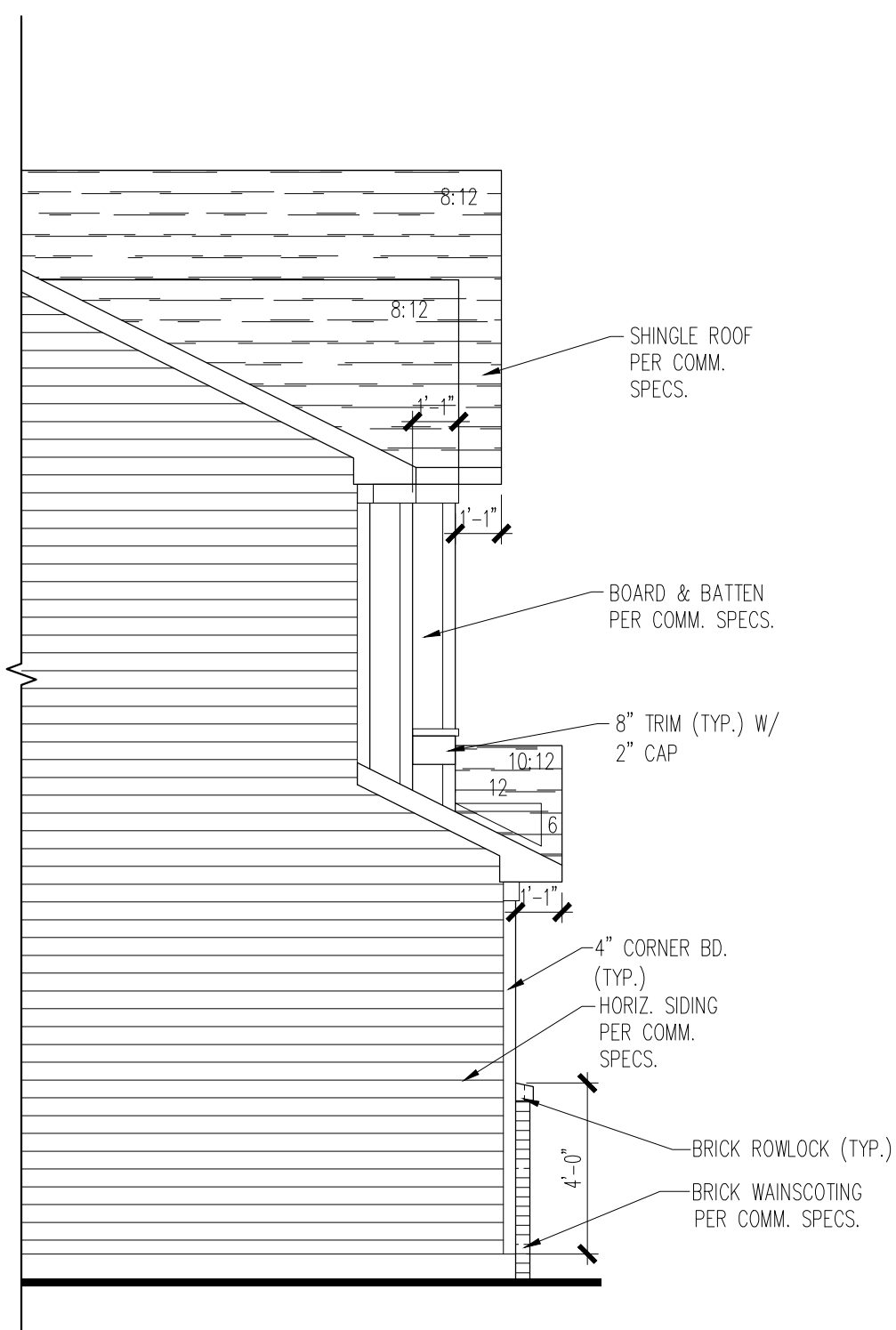
The MURPHY
FRONT ELEVATION 6

PRODUCT MANAGER	
INITIAL RELEASE DATE:	
REV#	DATE/DESCRIPTION
△	
△	
△	
△	
△	
△	
△	

PROJECT TYPE
Single Family

PLAN NAME
MURPHY

SHEET
3.6.0



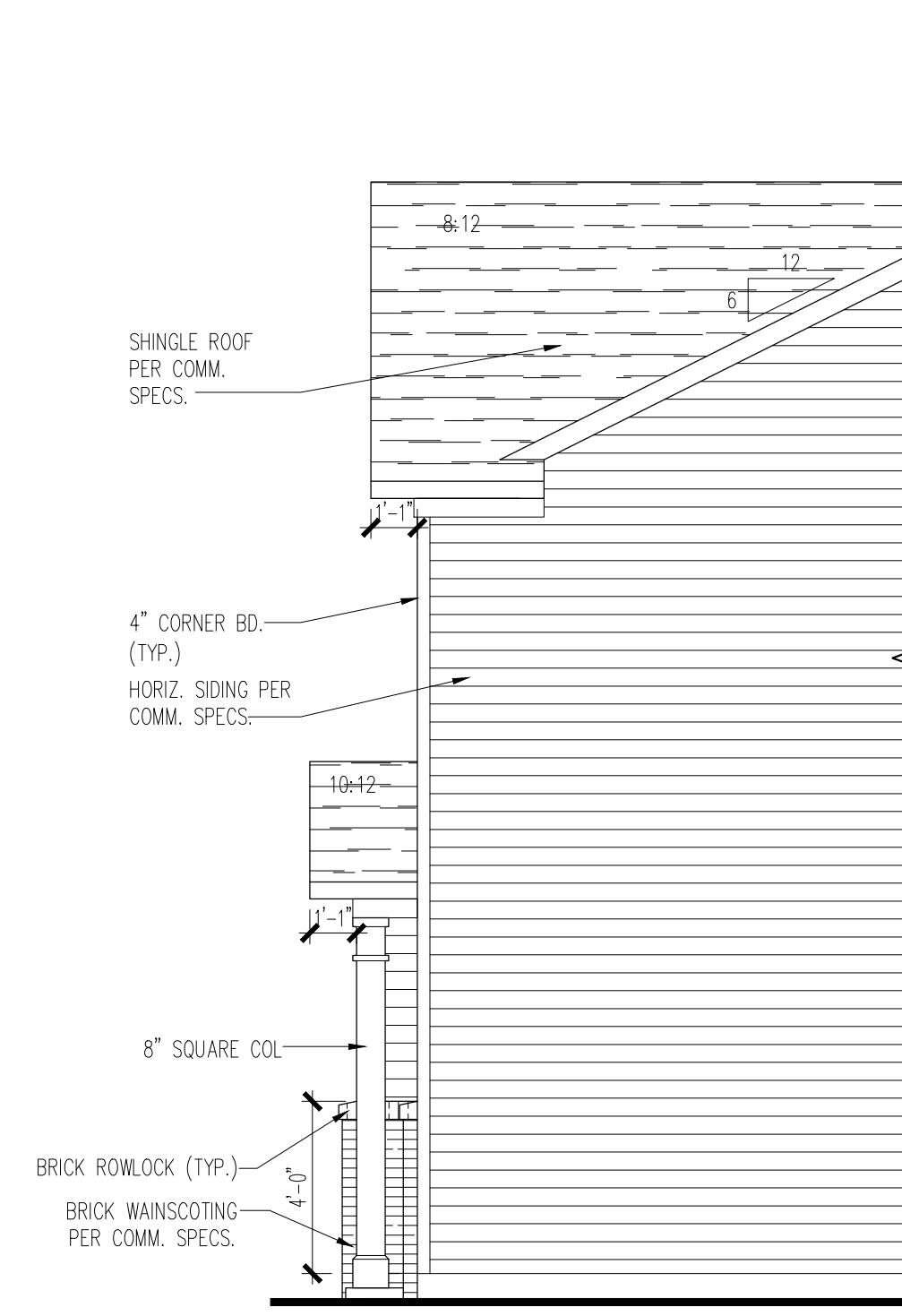
PARTIAL LEFT SIDE ELEVATION

SCALE : SCALE : 1/4" = 1'-0"



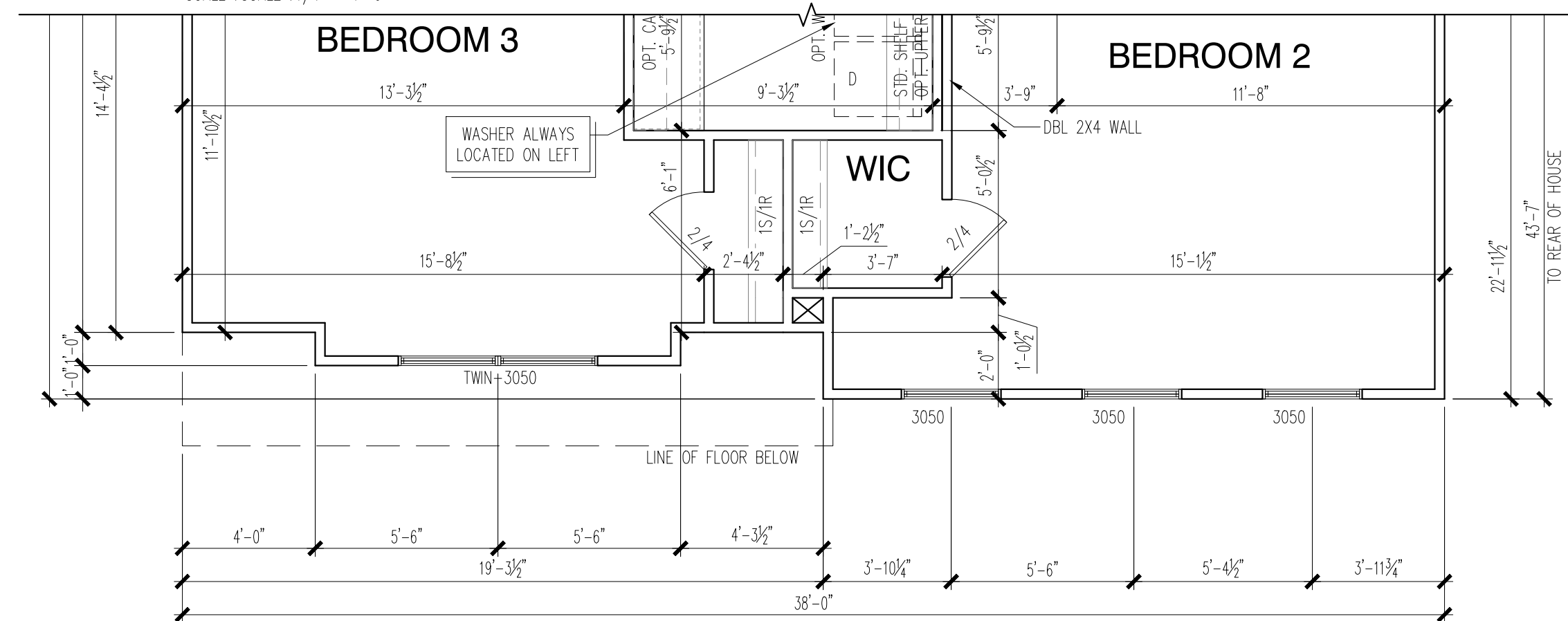
FRONT ELEVATION "8"

SCALE : SCALE : 1/4" = 1'-0"



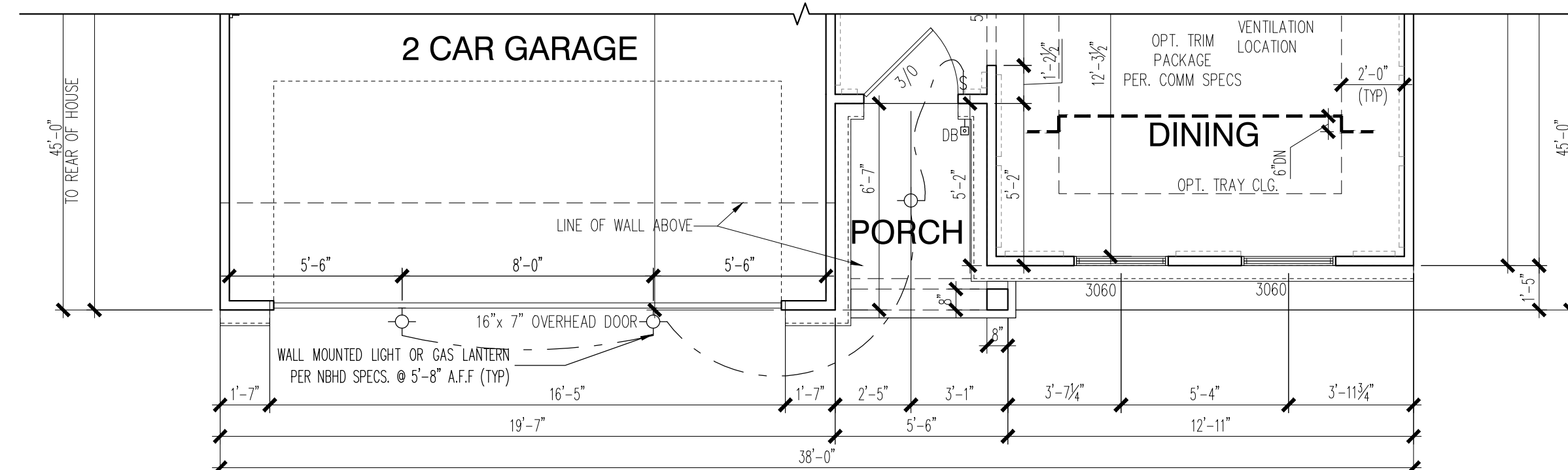
PARTIAL RIGHT SIDE ELEVATION

SCALE : SCALE : 1/4" = 1'-0"



PARTIAL SECOND FLOOR PLAN

SCALE : SCALE : 1/4" = 1'-0"



PARTIAL FIRST FLOOR PLAN

SCALE : SCALE : 1/4" = 1'-0"

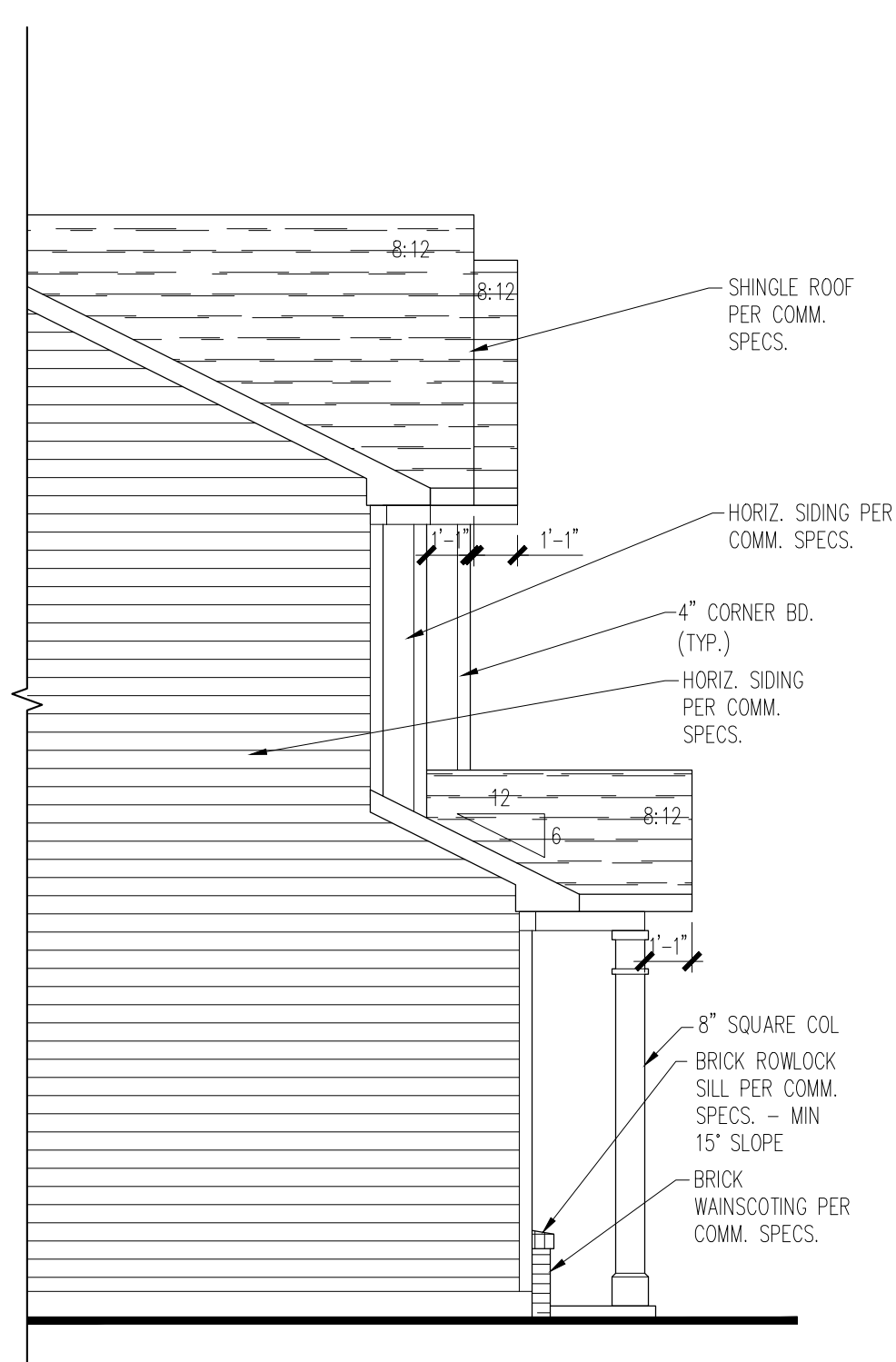
The MURPHY
FRONT ELEVATION 8

PRODUCT MANAGER	
INITIAL RELEASE	
DATE:	
REV#	DATE/DESCRIPTION
△	
△	
△	
△	
△	
△	
△	

PROJECT TYPE
Single Family

PLAN NAME
MURPHY

SHEET
3.8.0



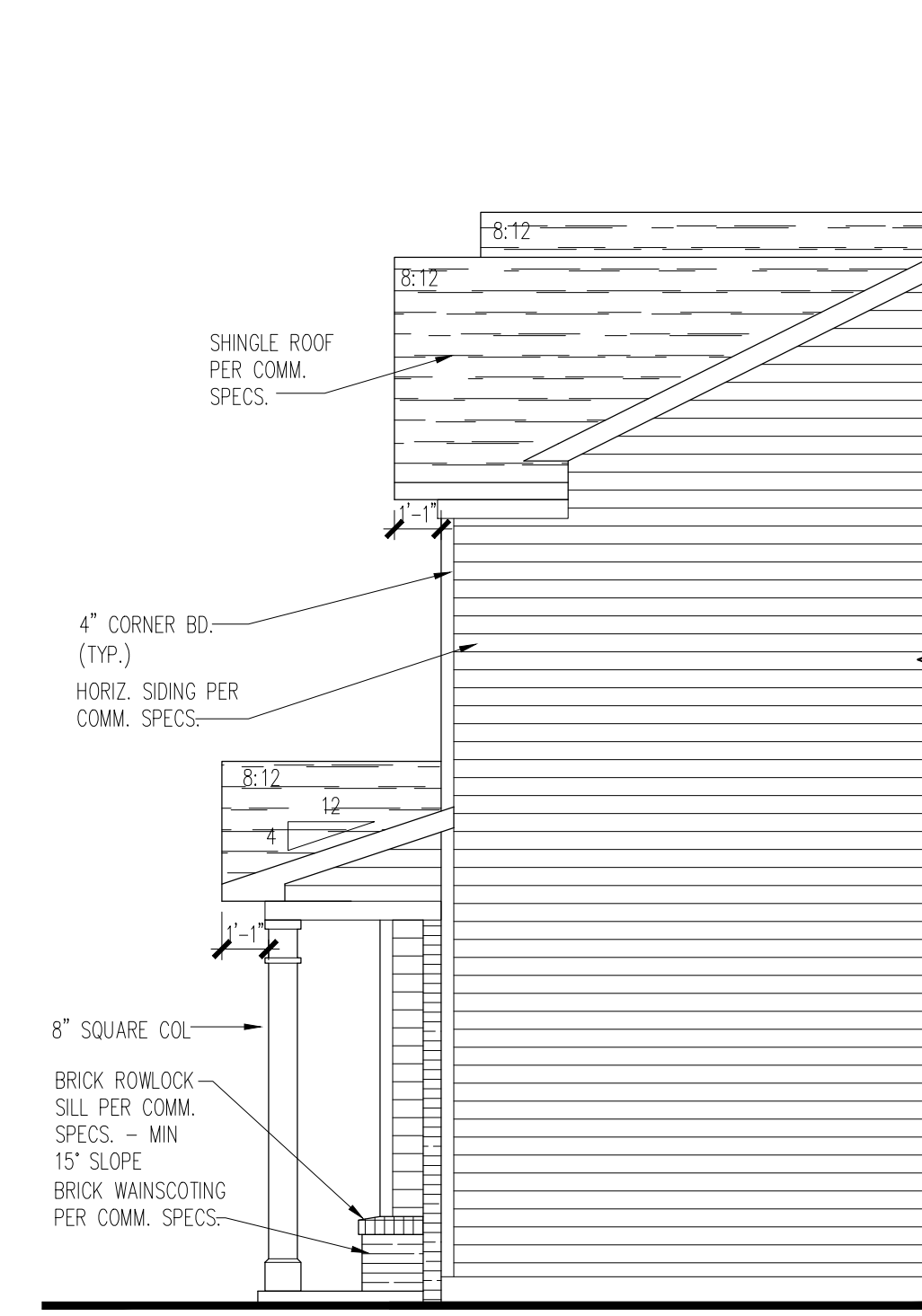
PARTIAL LEFT SIDE ELEVATION

SCALE : SCALE : 1/4" = 1'-0"



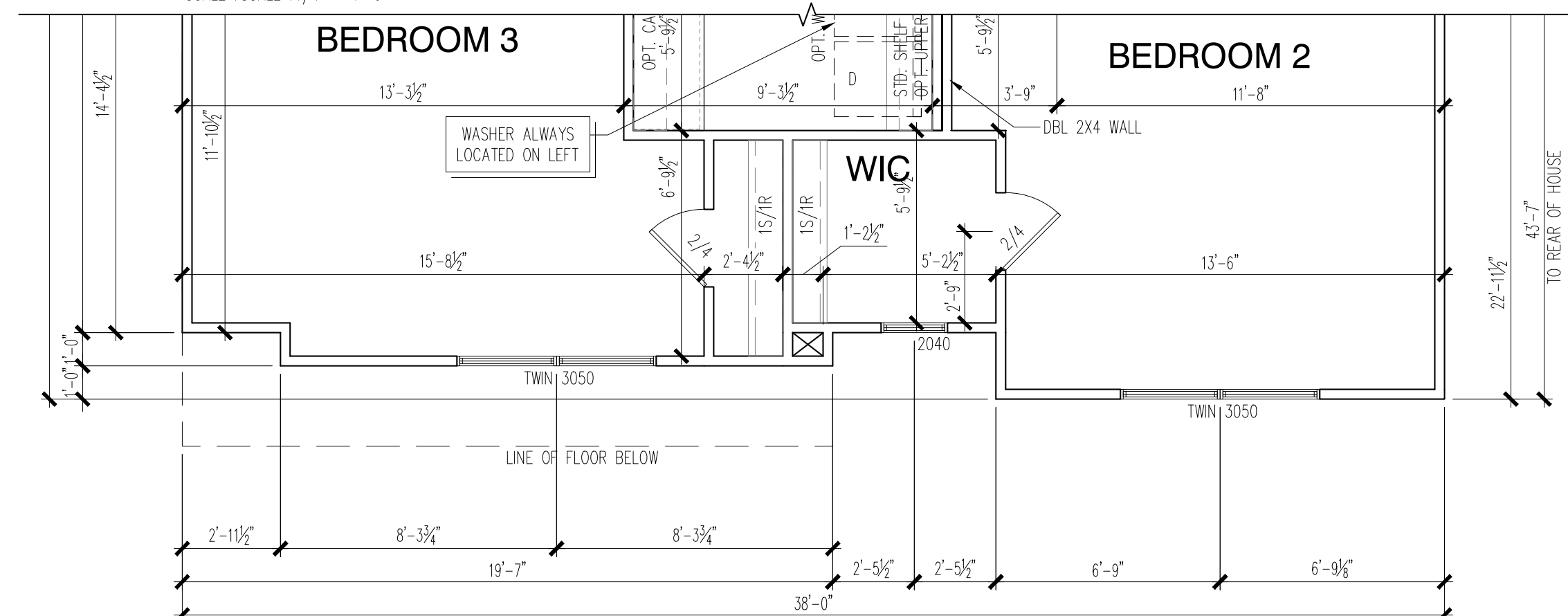
FRONT ELEVATION "9"

SCALE : SCALE : 1/4" = 1'-0"



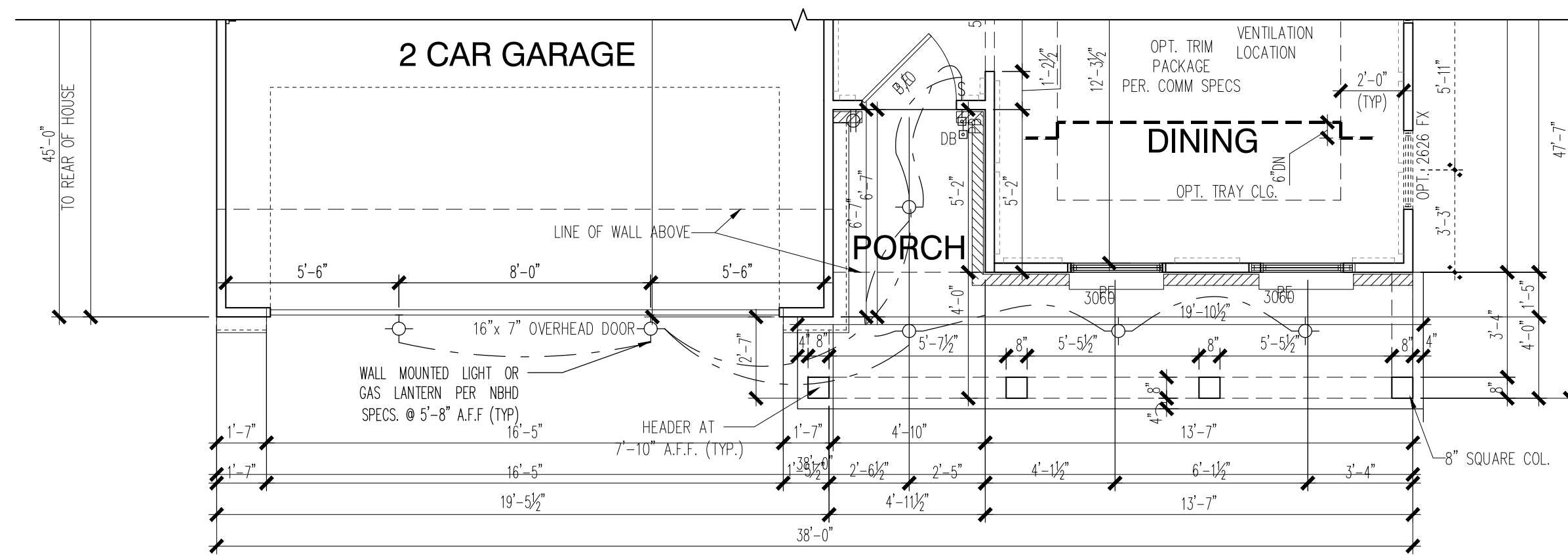
PARTIAL RIGHT SIDE ELEVATION

SCALE : SCALE : 1/4" = 1'-0"



PARTIAL SECOND FLOOR PLAN

SCALE : SCALE : 1/4" = 1'-0"



PARTIAL FIRST FLOOR PLAN

SCALE : SCALE : 1/4" = 1'-0"

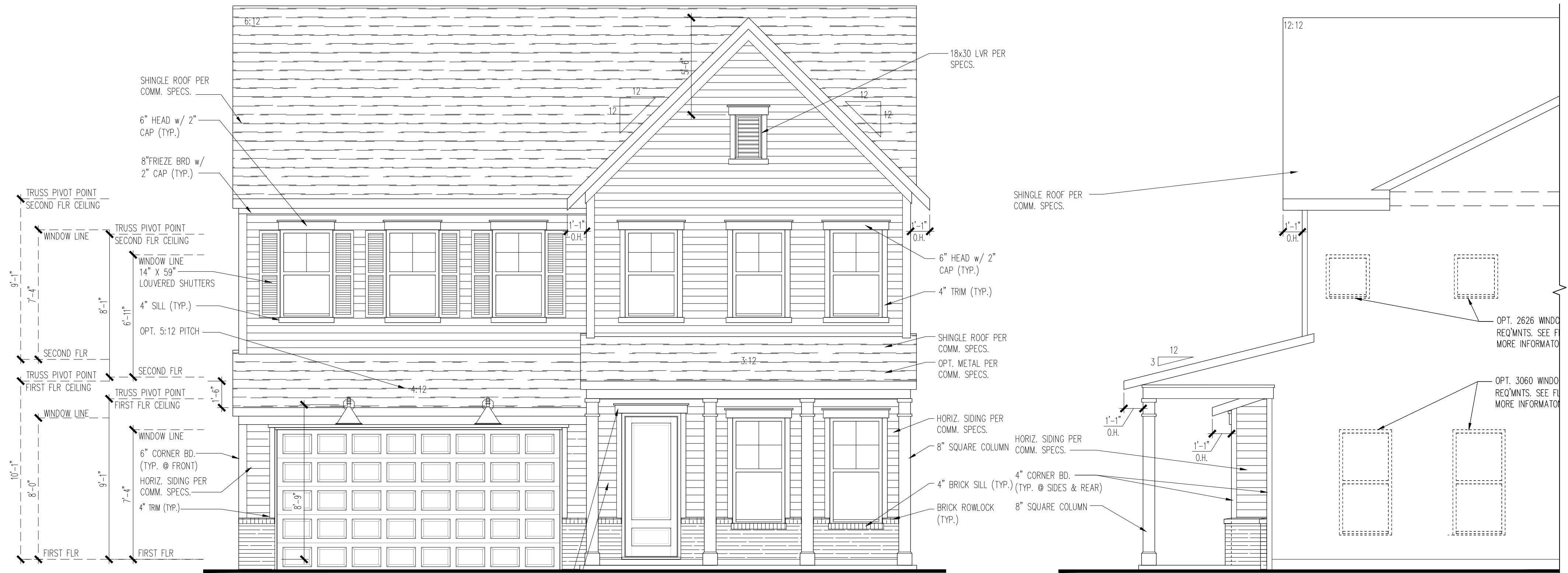
The MURPHY
FRONT ELEVATION 9

PRODUCT MANAGER	
INITIAL RELEASE	
DATE:	
REV#	DATE/DESCRIPTION
△	
△	
△	
△	
△	
△	
△	
△	

PROJECT TYPE
Single Family

PLAN NAME
MURPHY

SHEET
3.9.0

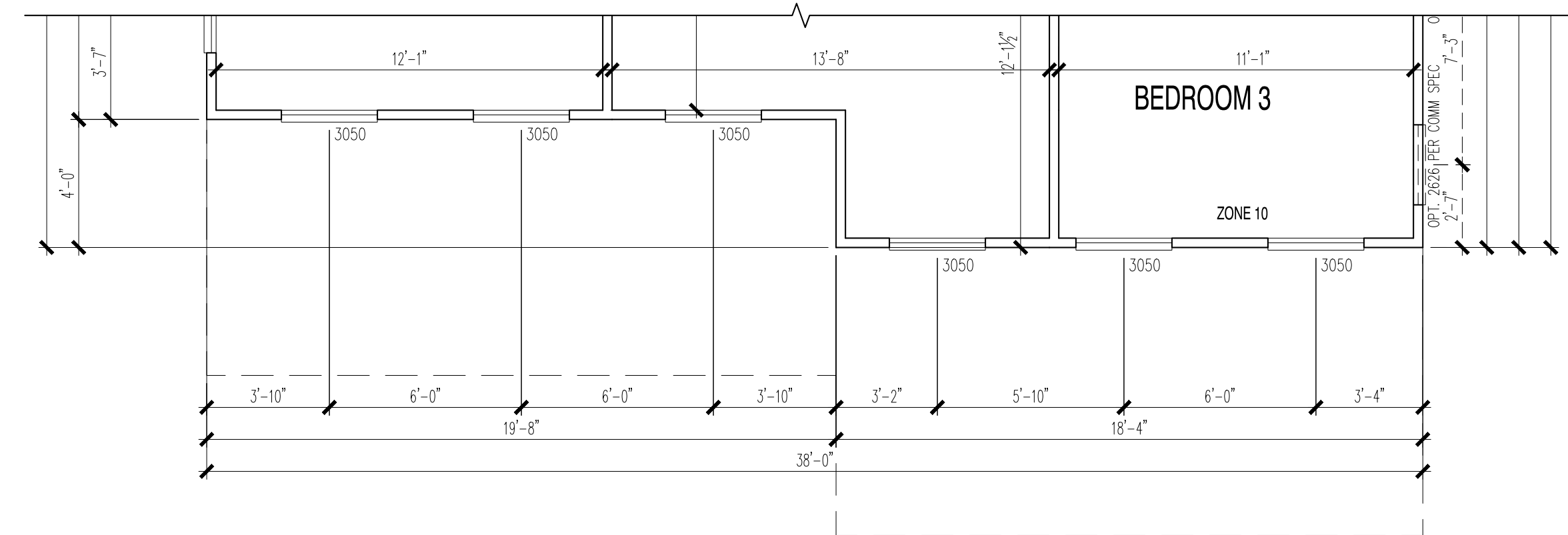


FRONT ELEVATION "17"

PARTIAL RIGHT SIDE ELEVATION

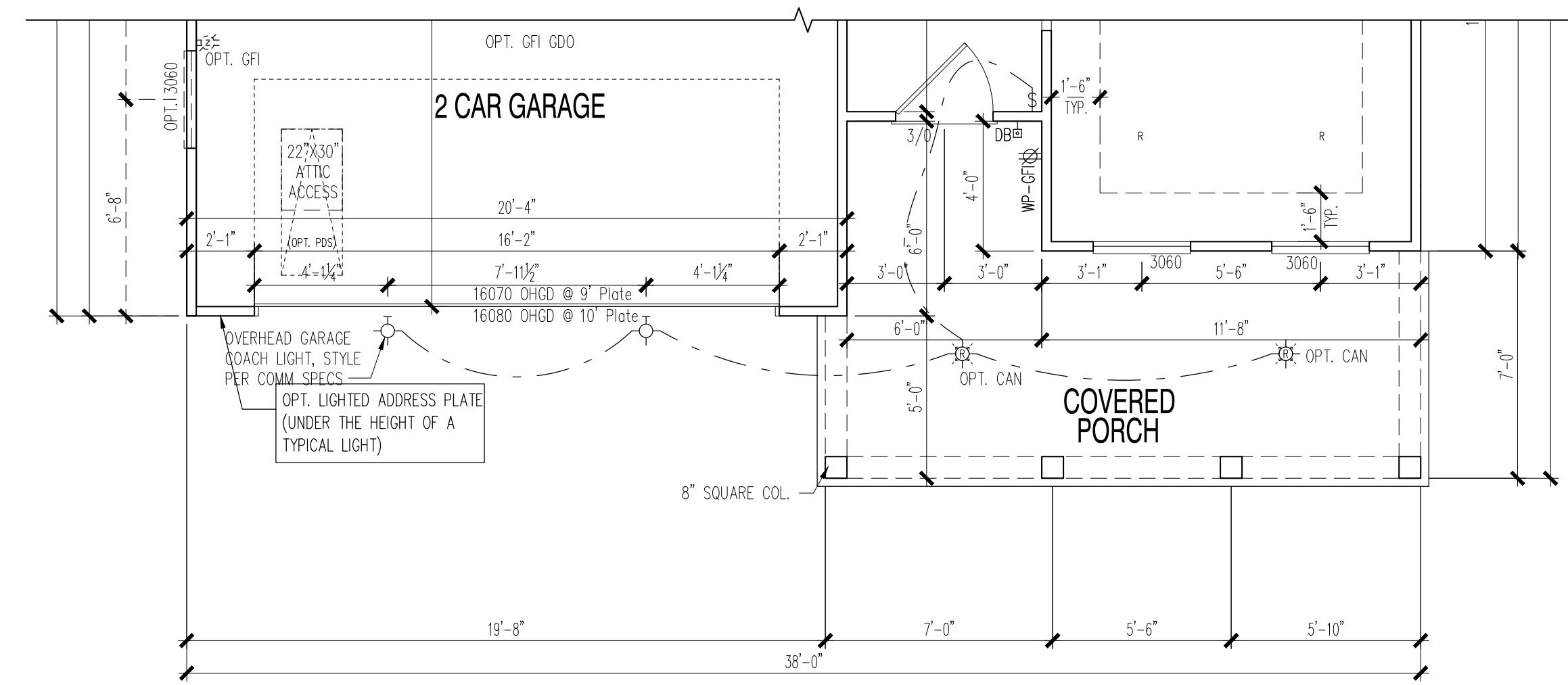
SCALE: 1/4"=1'-0"

SCALE: 1/4"=1'-0"



PARTIAL SECOND FLOOR PLAN

SCALE: 1/4"=1'-0"



PARTIAL FIRST FLOOR PLAN

SCALE: 1/4"=1'-0"

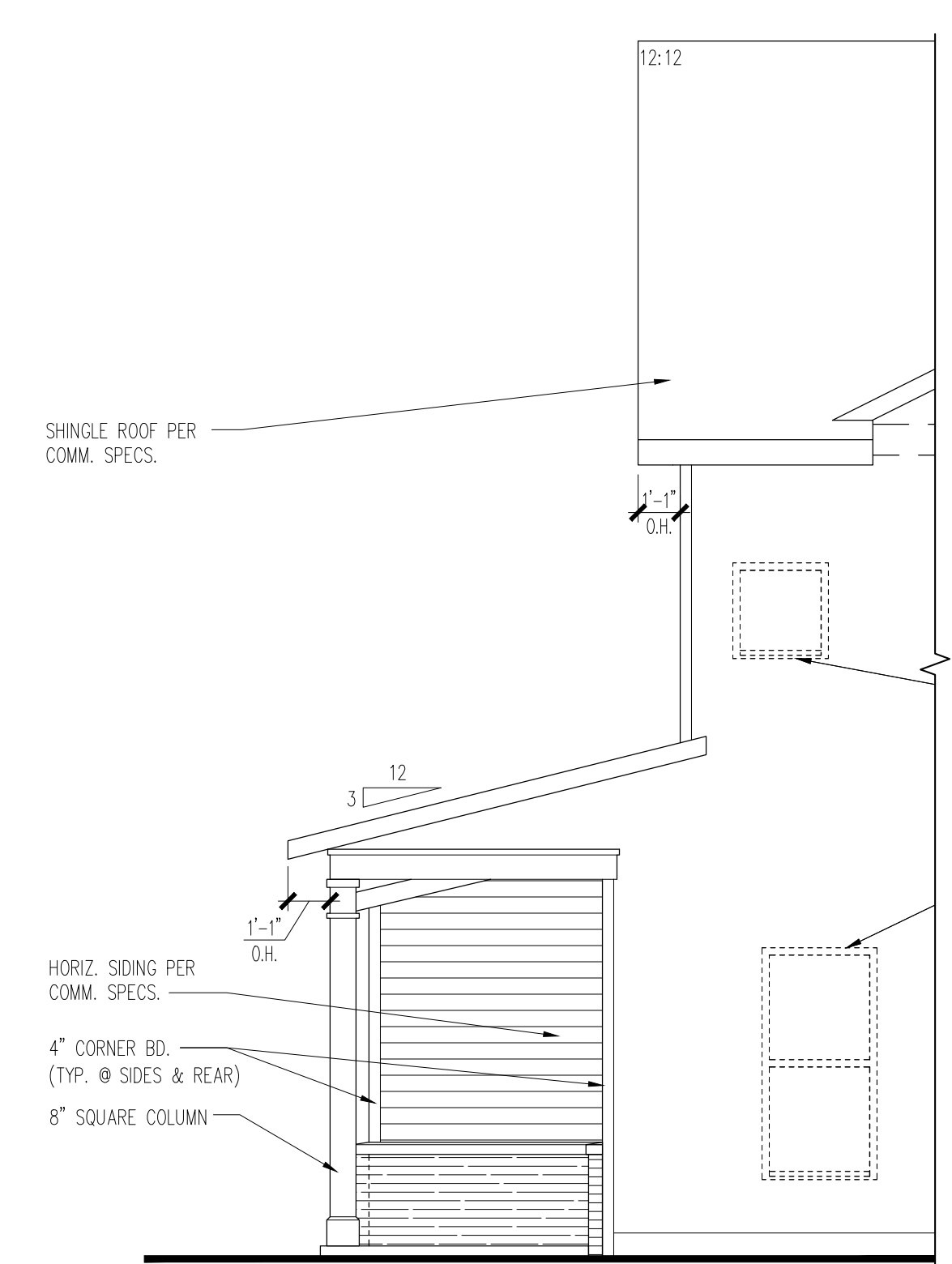
The CONTINENTAL

FRONT ELEVATION "17" FRONT ENTRY GARAGE

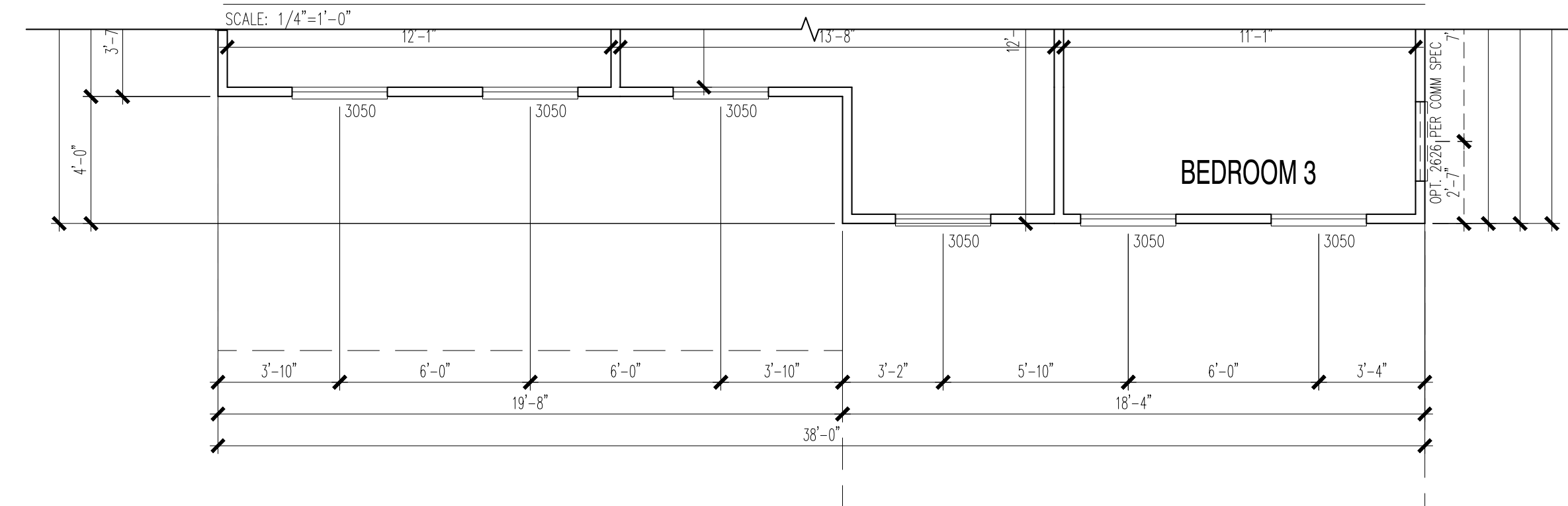
PRODUCT MANAGER	
INITIAL RELEASE	
DATE:	
REV#	DATE/DESCRIPTION
△	
△	
△	
△	
△	
△	
△	
△	
PROJECT TYPE	
Single Family	
PLAN NAME	
Continental	
SHEET	
3.17.0	



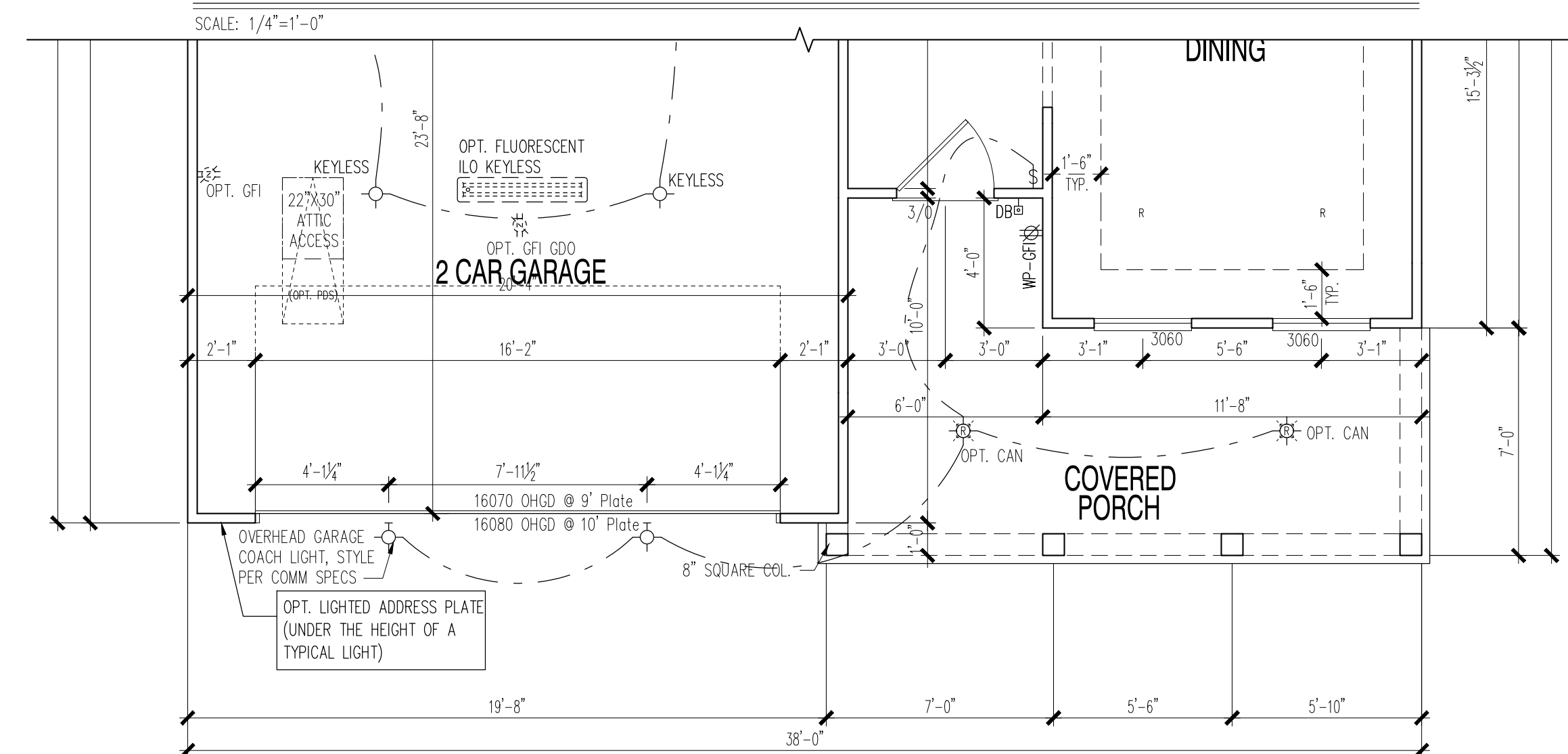
FRONT ELEVATION "17" W/ OPT. 4' GARAGE EXT.



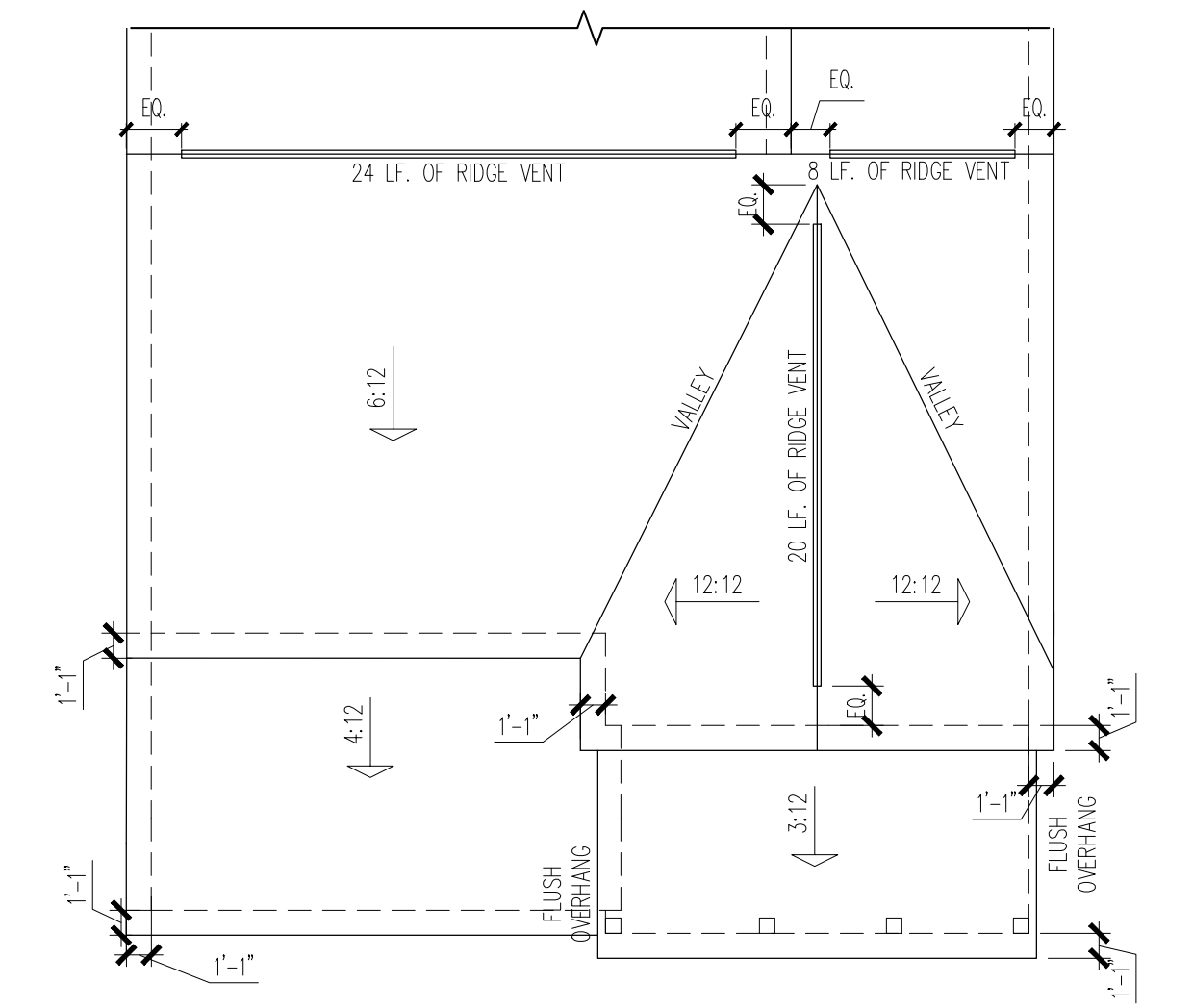
PARTIAL RIGHT SIDE ELEVATION W/ OPT. 4' GARAGE EXT.



PARTIAL SECOND FLOOR PLAN



PARTIAL FIRST FLOOR PLAN W/ OPT. 4' GARAGE EXT.



PART. ROOF PLAN ELEV. "17" W/ OPT. 4' GARAGE EXT.

PROVIDE 13" OVERHANGS WHERE OPTIONAL BRICK IS APPLIED



The CONTINENTAL
FRONT ELEVATION "17" W/ OPT. 4' EXTENSION
FRONT ENTRY GARAGE

PRODUCT MANAGER	
INITIAL RELEASE	DATE:
REV#	DATE/DESCRIPTION
△	
△	
△	
△	
△	
△	
△	

PROJECT TYPE
Single Family

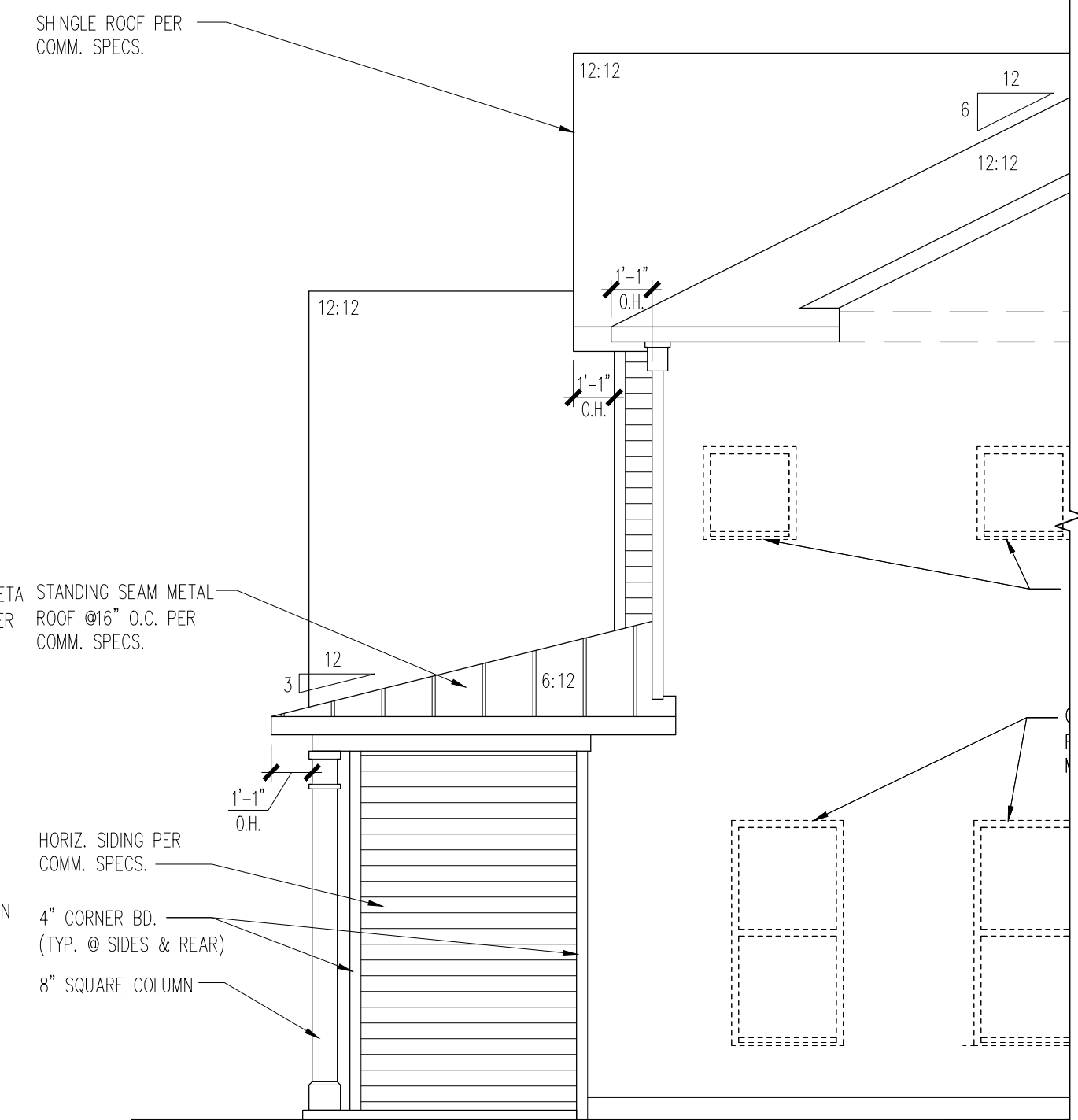
PLAN NAME
Continental

SHEET
3.17.1



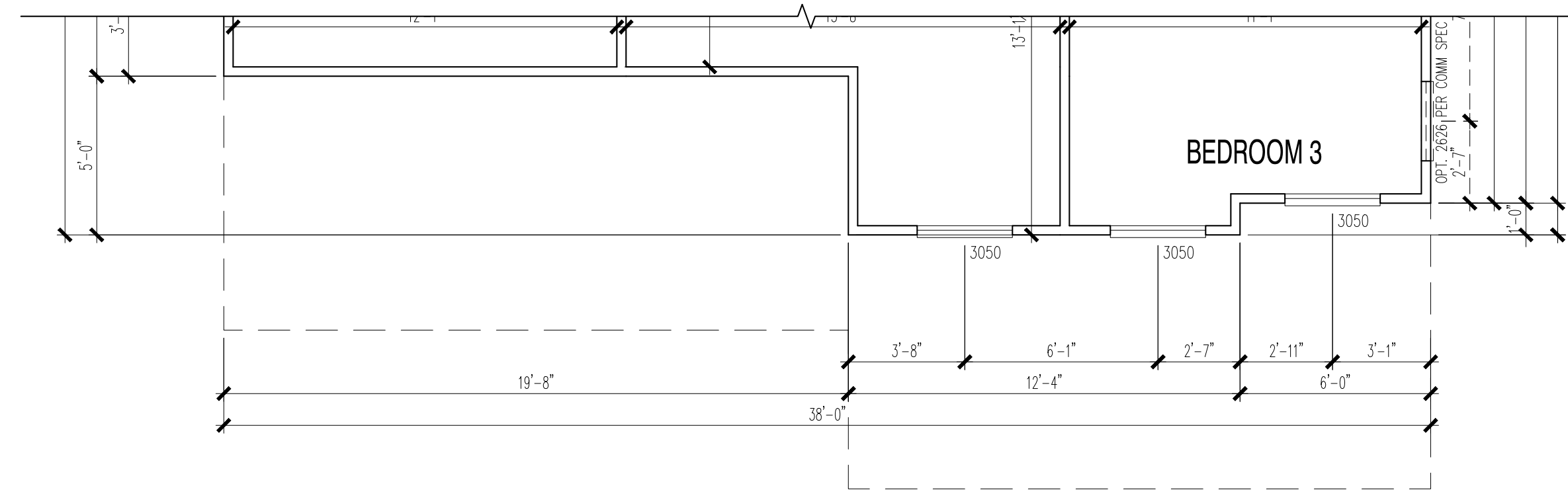
FRONT ELEVATION "19" W/ OPT. 4' GARAGE EXT.

SCALE: 1/4"=1'-0"



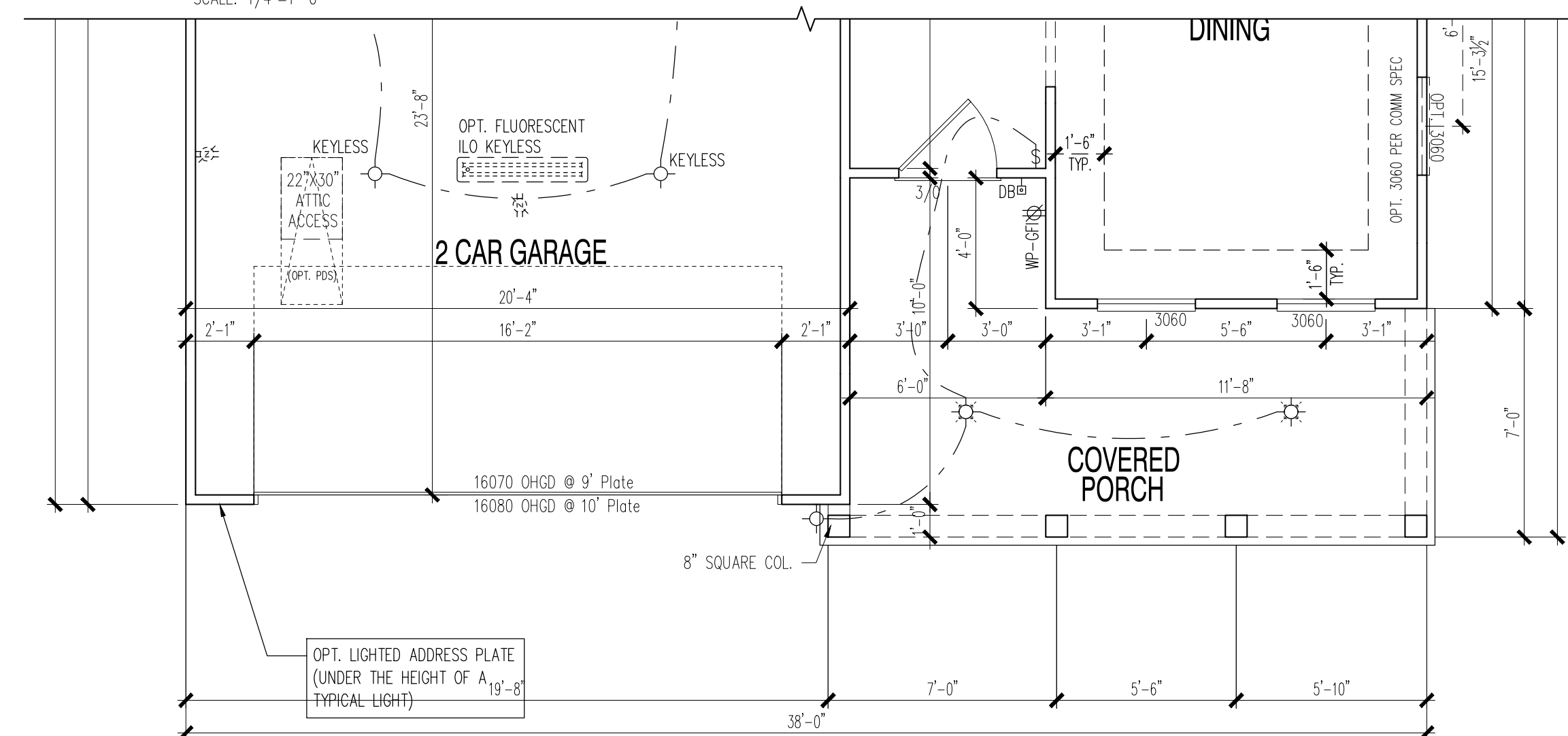
PARTIAL RIGHT SIDE ELEVATION W/ OPT. 4' GARAGE EXT.

SCALE: 1/4"=1'-0"



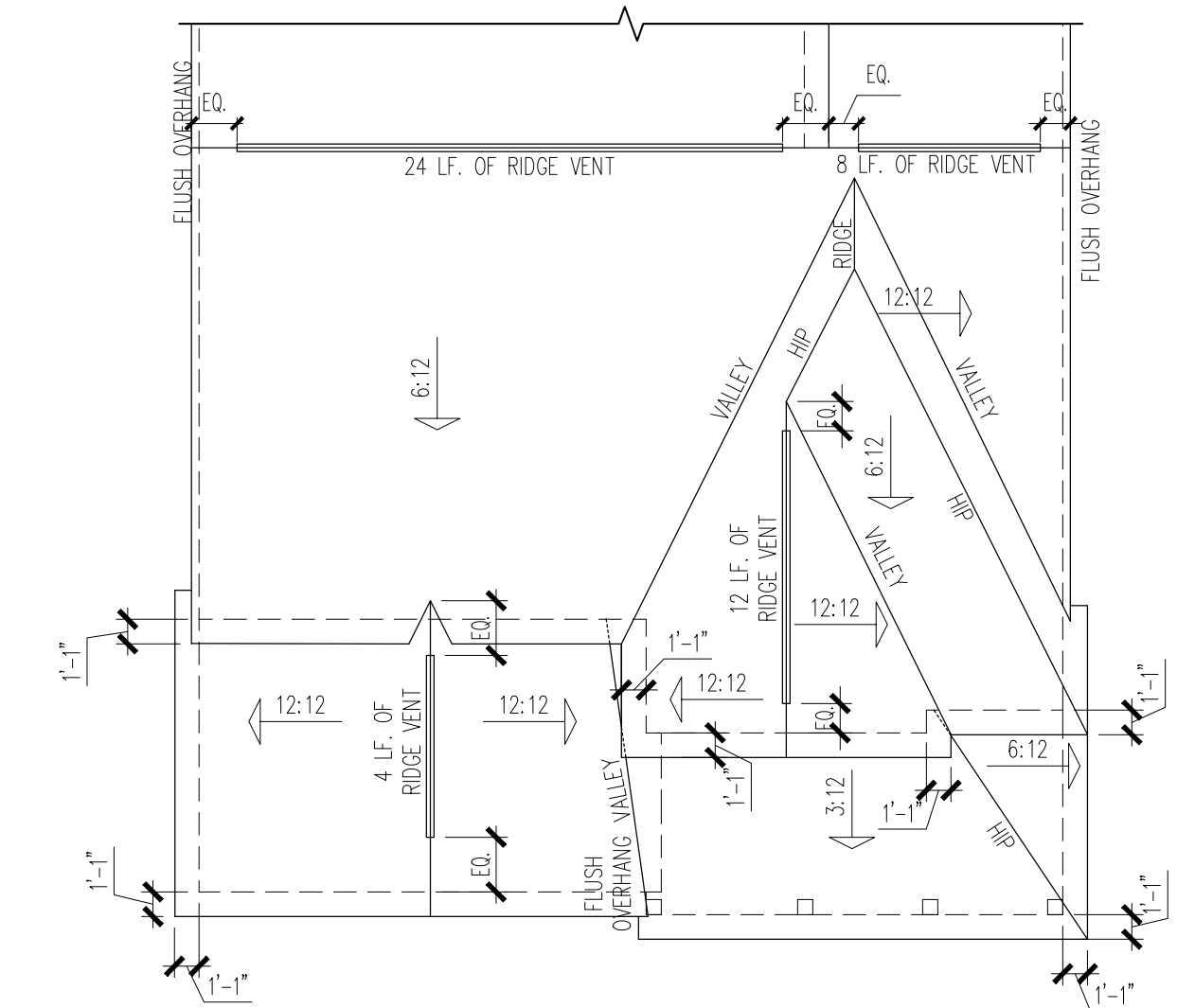
PARTIAL SECOND FLOOR PLAN

SCALE: 1/4"=1'-0"



PARTIAL FIRST FLOOR PLAN W/ OPT. 4' GARAGE EXT.

SCALE: 1/4"=1'-0"



PART. ROOF PLAN ELEV. "19" W/ OPT. 4' GARAGE EXT.

SCALE: 1/8"=1'-0"

PROVIDE 13" OVERHANGS WHERE OPTIONAL BRICK IS APPLIED



The CONTINENTAL
 FRONT ELEVATION "19" W/ OPT. 4' EXTENSION
 FRONT ENTRY GARAGE

PRODUCT MANAGER	
INITIAL RELEASE DATE:	
REV#	DATE/DESCRIPTION
△	
△	
△	
△	
△	
△	
△	

PROJECT TYPE
Single Family

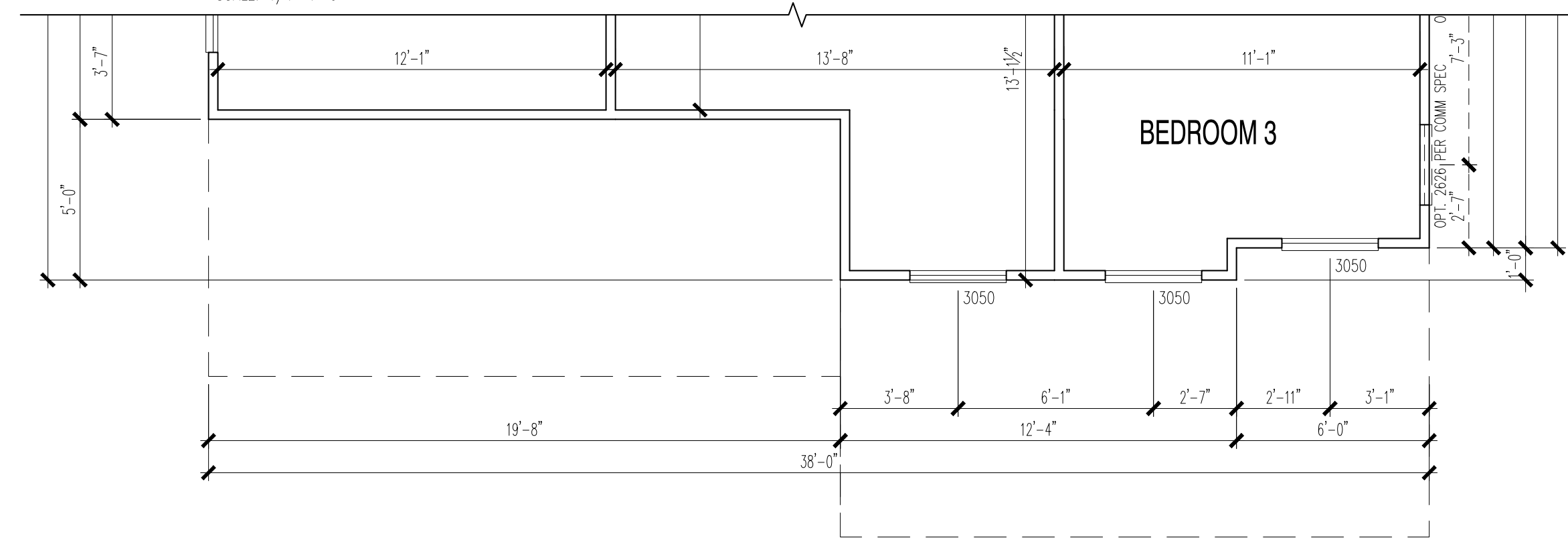
PLAN NAME
Continental

SHEET
3.19.1



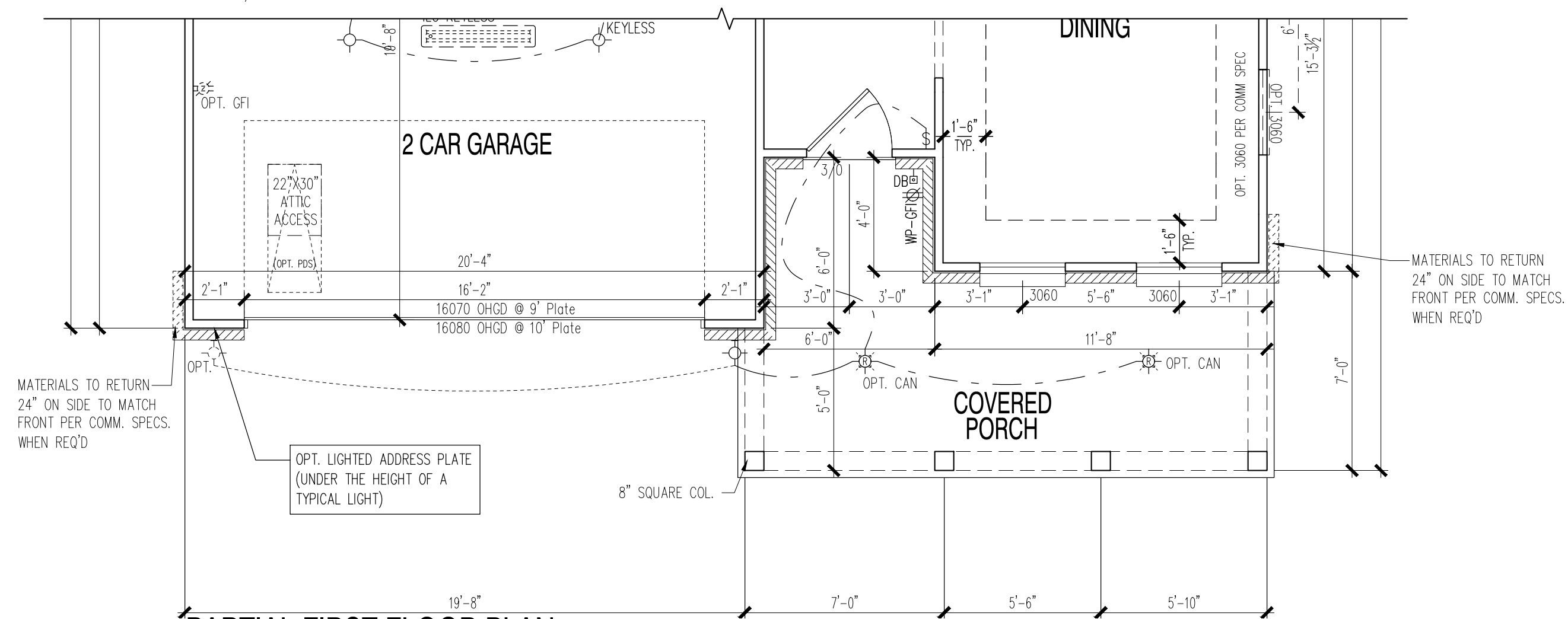
FRONT ELEVATION "36"

SCALE: 1/4"=1'-0"



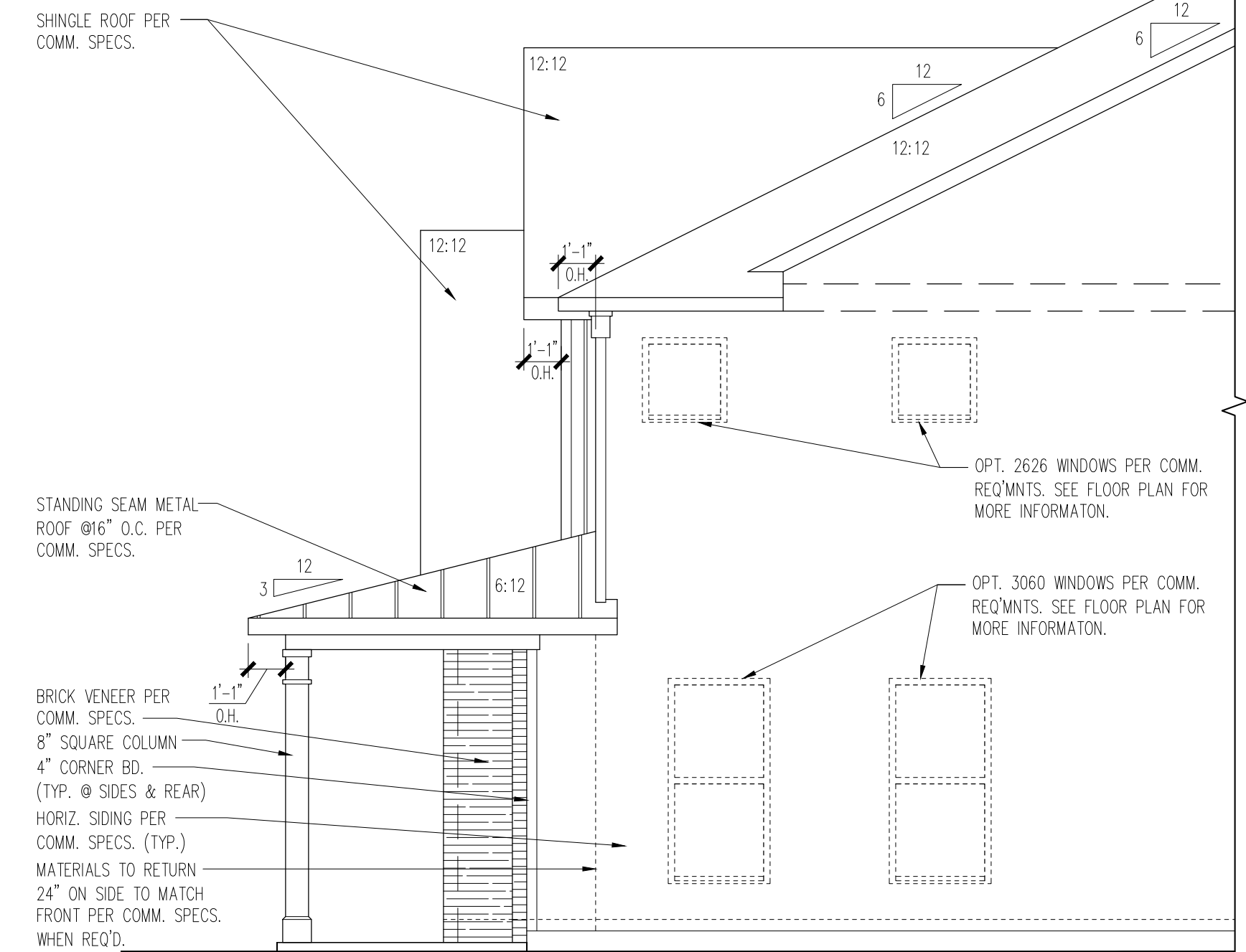
PARTIAL SECOND FLOOR PLAN

SCALE: 1/4"=1'-0"



PARTIAL FIRST FLOOR PLAN

SCALE: 1/4"=1'-0"



PARTIAL RIGHT SIDE ELEVATION

SCALE: 1/4"=1'-0"

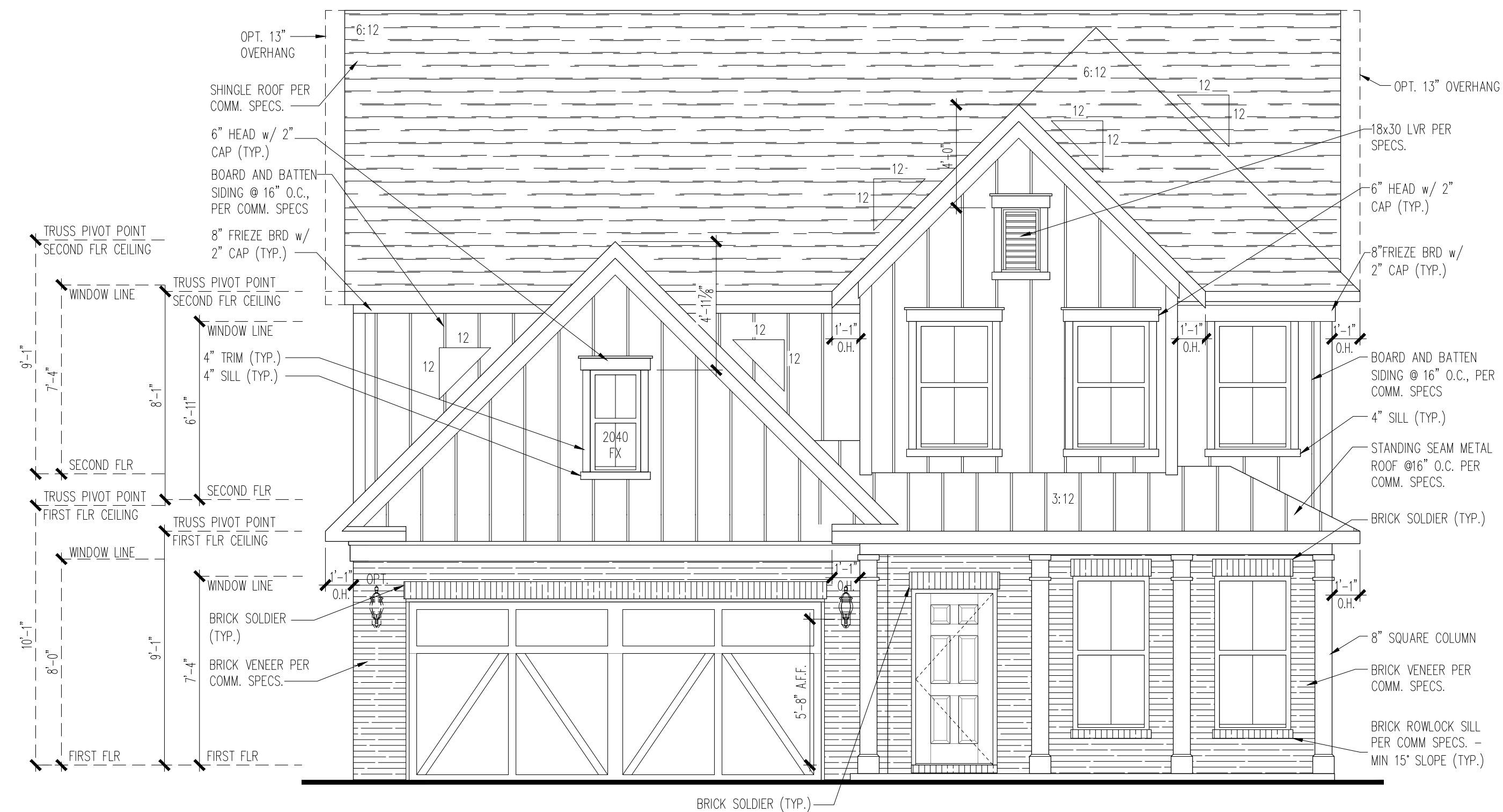
The CONTINENTAL
ELEVATION 36

PRODUCT MANAGER	
INITIAL RELEASE DATE:	
REV#	DATE/DESCRIPTION
△	
△	
△	
△	
△	
△	
△	

PROJECT TYPE
Single Family

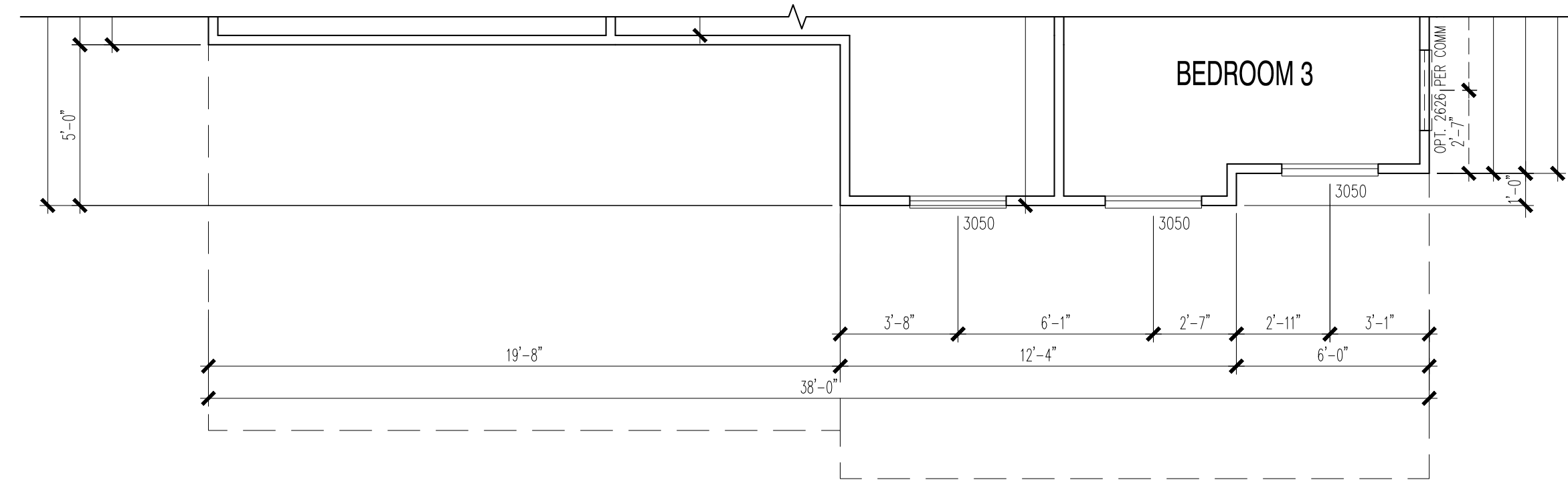
PLAN NAME
Continental

SHEET
3.36.0



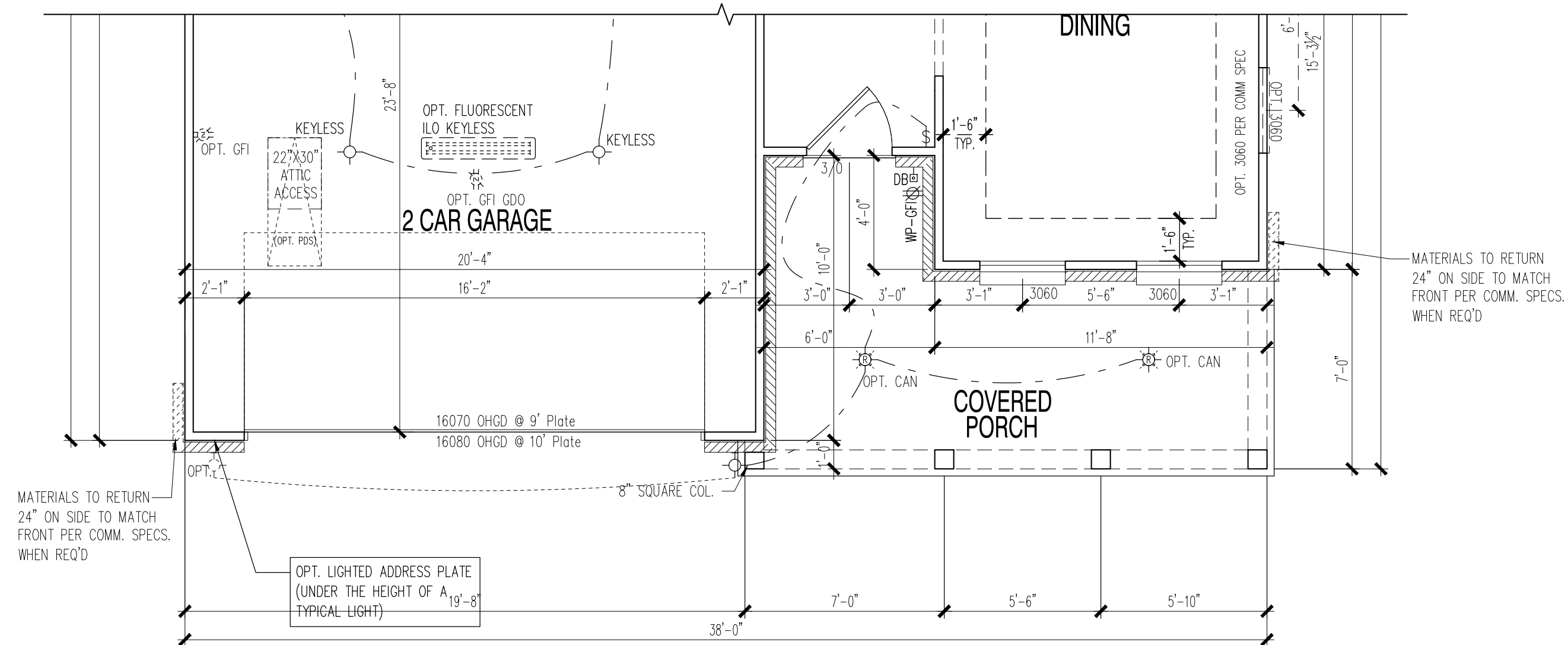
FRONT ELEVATION "36" W/ OPT. 4' GARAGE EXT.

SCALE: 1/4"=1'-0"



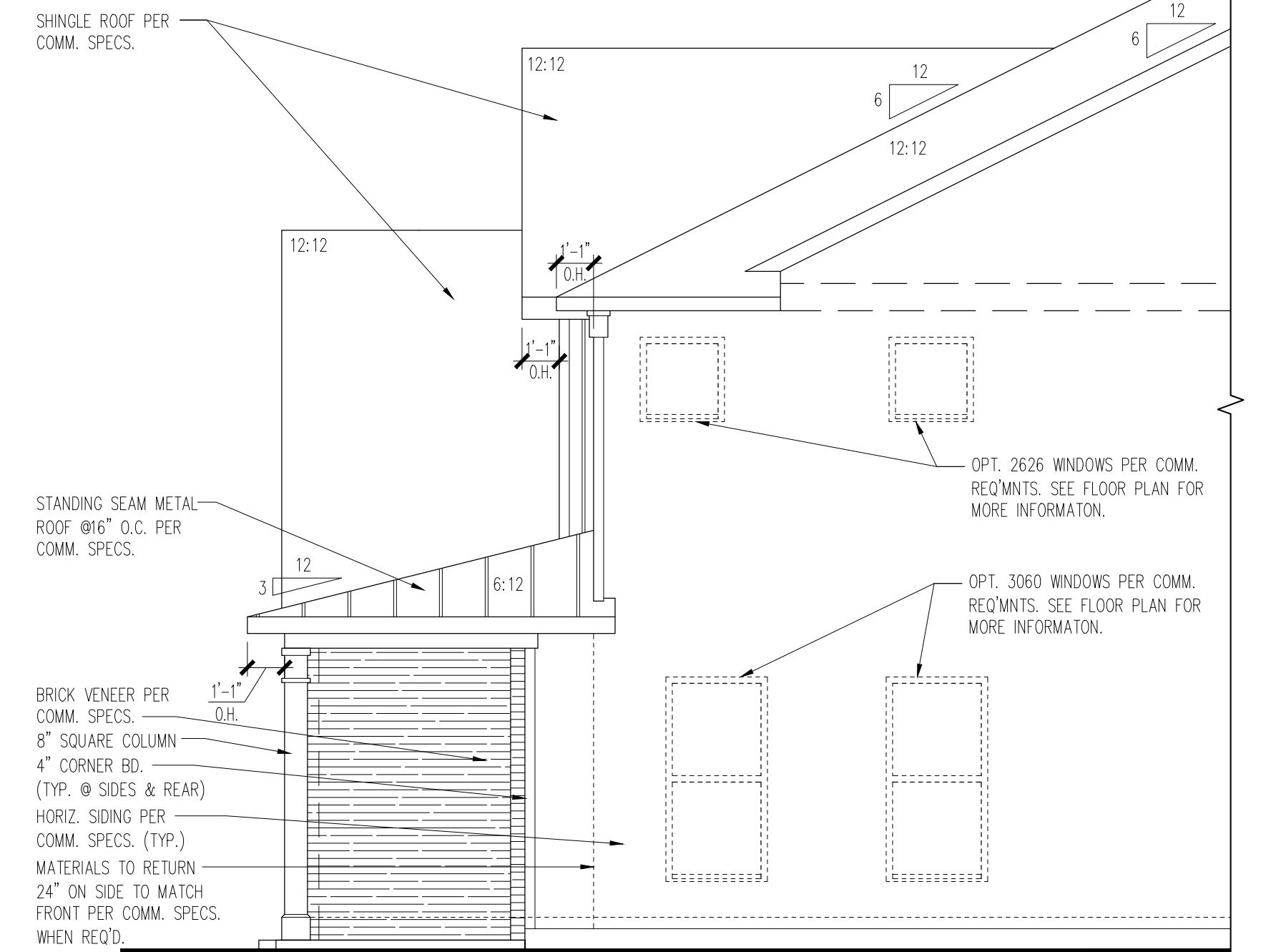
PARTIAL SECOND FLOOR PLAN

SCALE: 1/4"=1'-0"



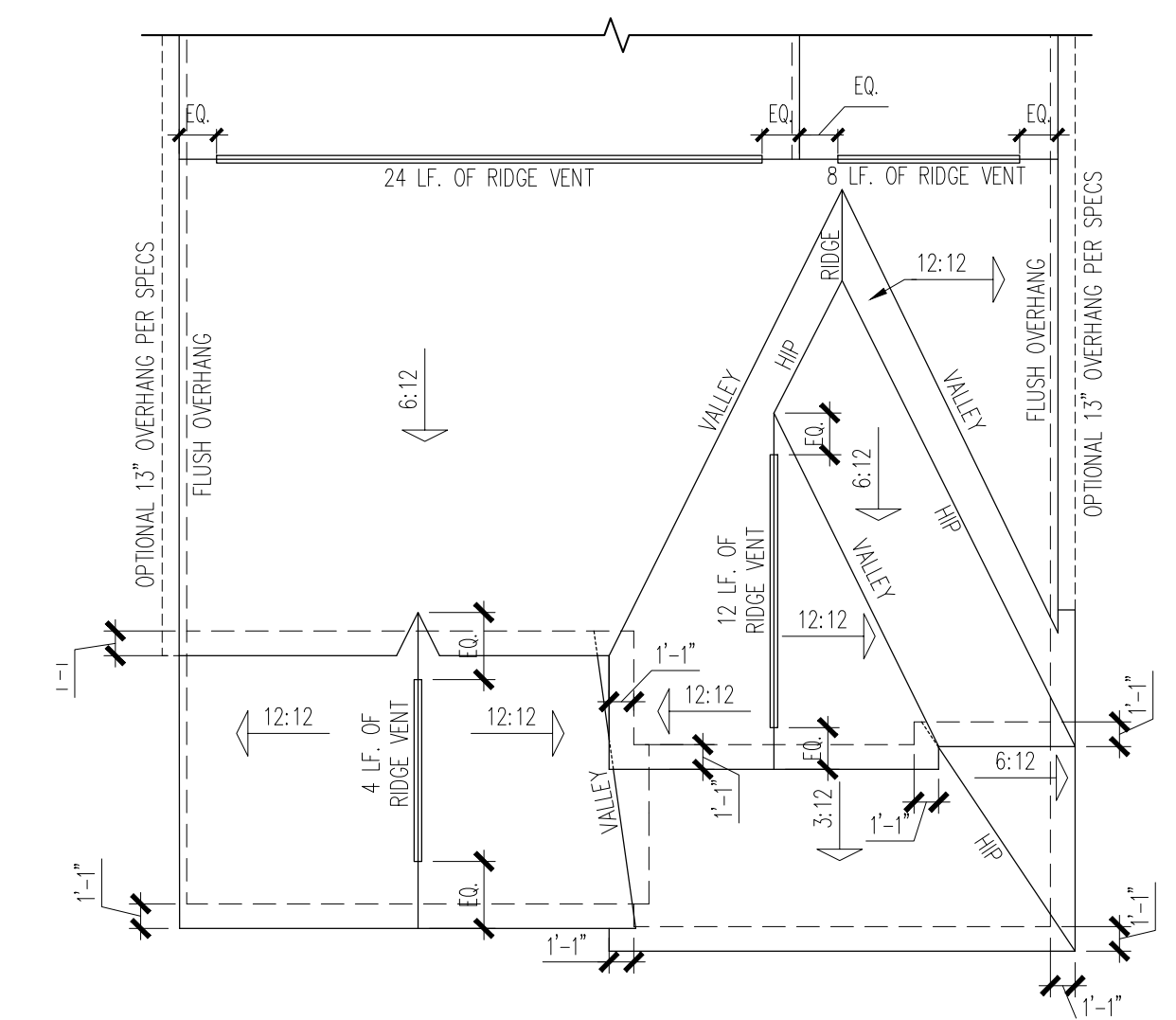
PARTIAL FIRST FLOOR PLAN W/ OPT. 4' GARAGE EXT.

SCALE: 1/4"=1'-0"



PARTIAL RIGHT SIDE ELEVATION W/ OPT. 4' GARAGE EXT.

SCALE: 1/4"=1'-0"



PART. ROOF PLAN ELEV. "36" W/ OPT. 4' GARAGE EXT.

SCALE: 1/8"=1'-0"

PROVIDE 13" OVERHANGS WHERE OPTIONAL BRICK IS APPLIED

The CONTINENTAL
ELEVATION 36 W. OPT. 4' GARAGE EXTENSION

PRODUCT MANAGER	
INITIAL RELEASE DATE:	
REV#	DATE/DESCRIPTION
△	
△	
△	
△	
△	
△	
△	

PROJECT TYPE
Single Family

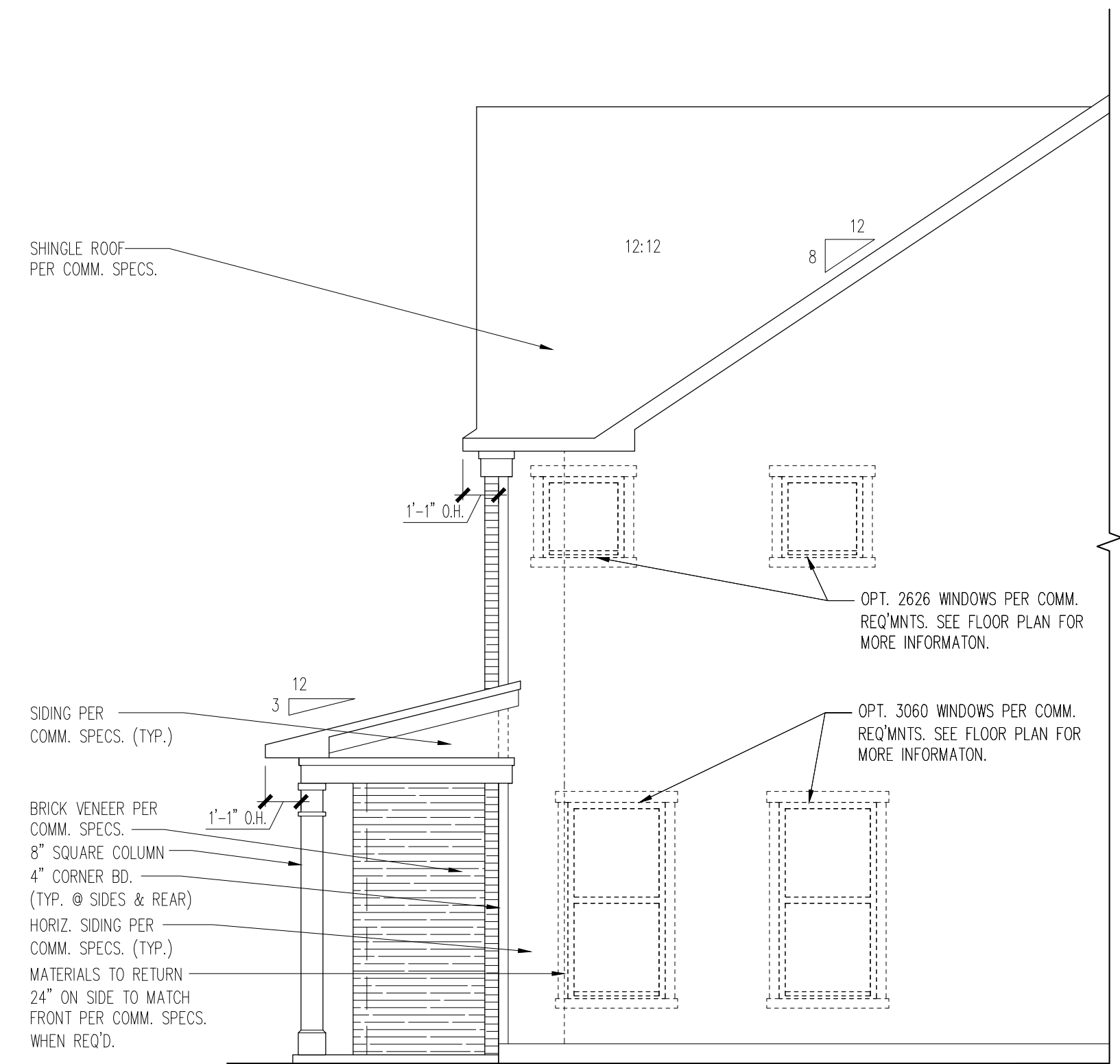
PLAN NAME
Continental

SHEET
3.36.1



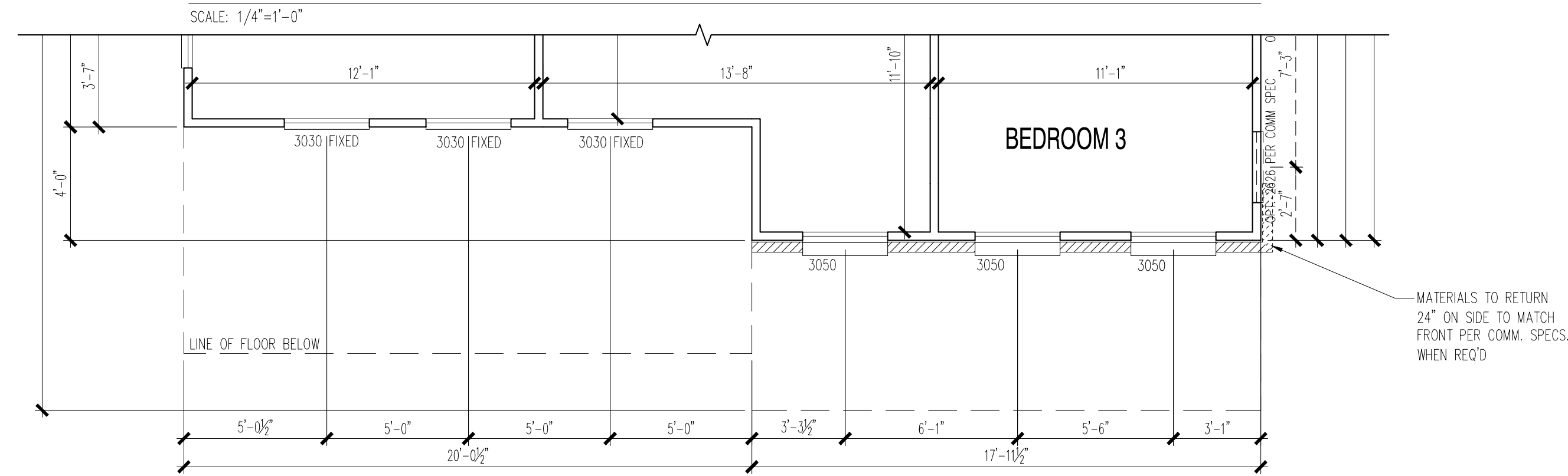
FRONT ELEVATION "37"

SCALE: 1/4"=1'-0"



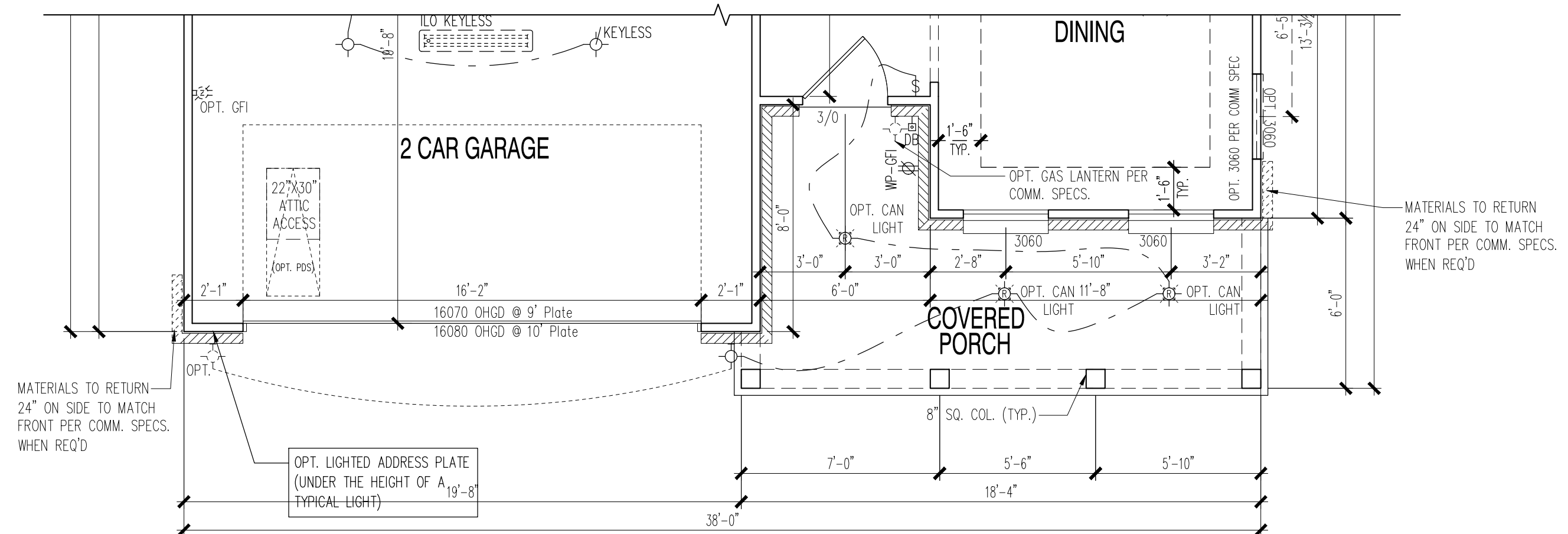
PARTIAL RIGHT SIDE ELEVATION

SCALE: 1/4"=1'-0"



PARTIAL SECOND FLOOR PLAN

SCALE: 1/4"=1'-0"



PARTIAL FIRST FLOOR PLAN

SCALE: 1/4"=1'-0"

The CONTINENTAL
ELEVATION 37

PRODUCT MANAGER	
INITIAL RELEASE DATE:	
REV#	DATE/DESCRIPTION
△	
△	
△	
△	
△	
△	
△	

PROJECT TYPE
Single Family

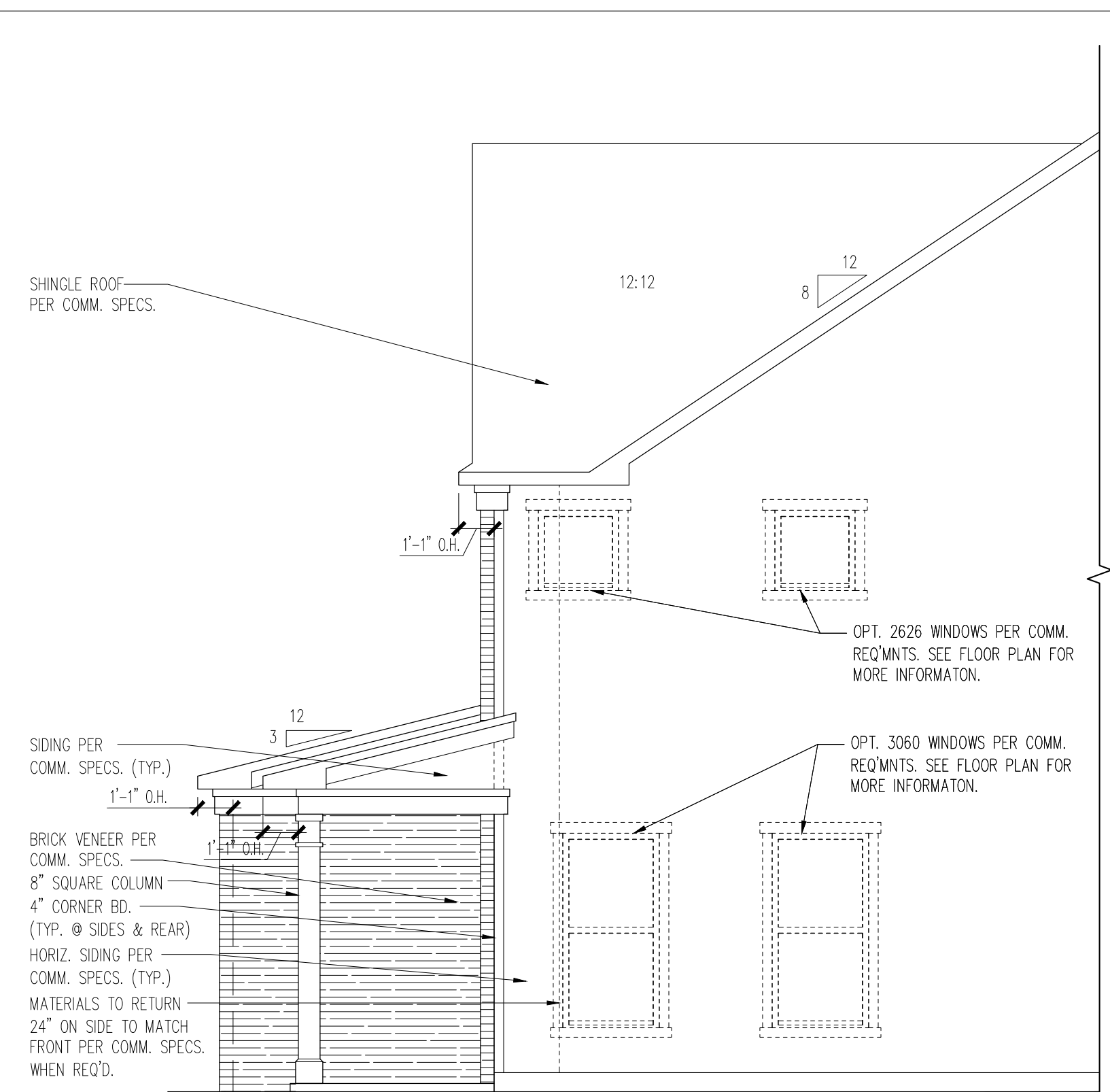
PLAN NAME
Continental

SHEET
3.37.0



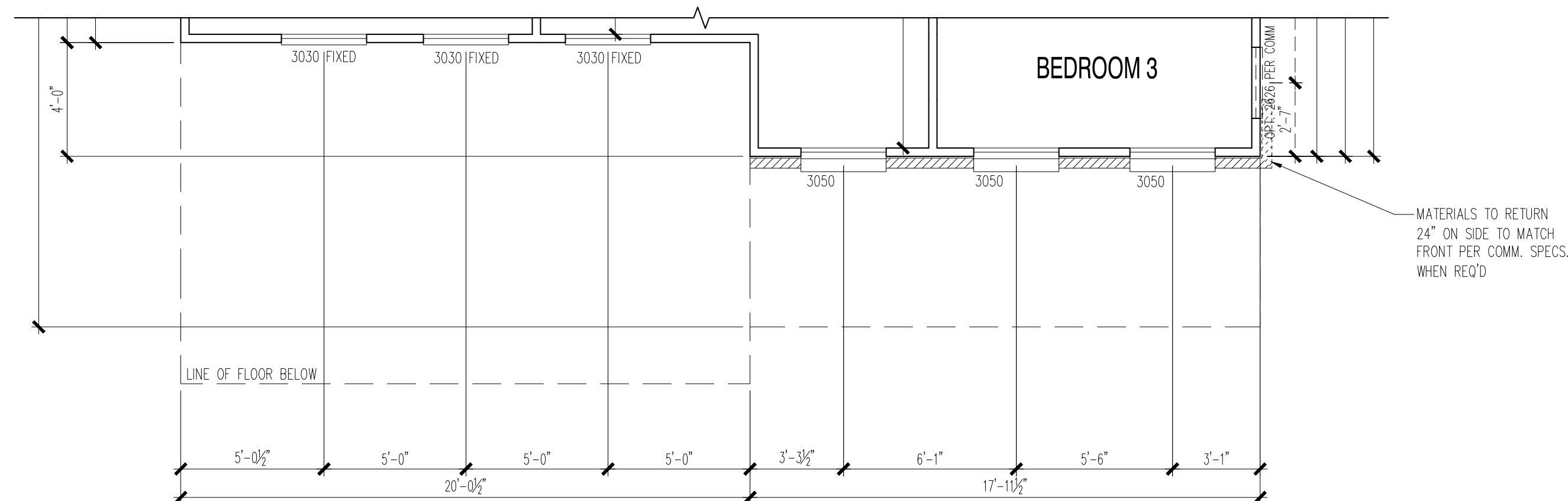
FRONT ELEVATION "37" W/ OPT. 4' GARAGE EXT.

SCALE: 1/4"=1'-0"



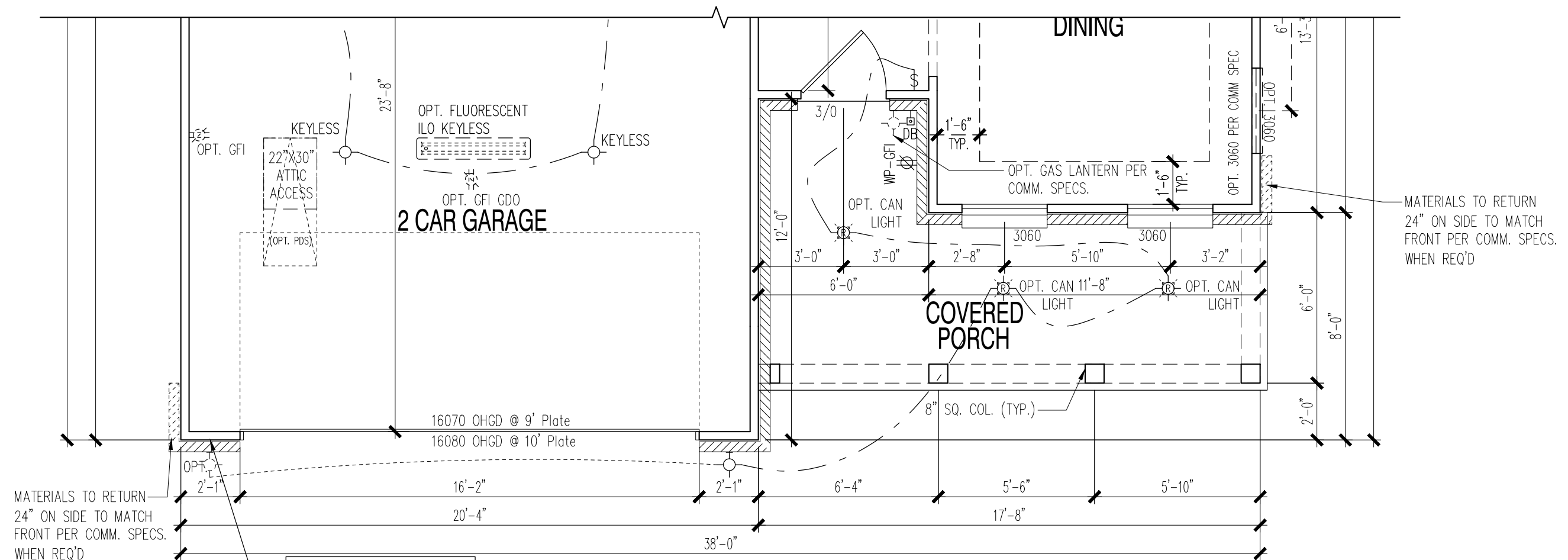
PARTIAL RIGHT SIDE ELEVATION W/ OPT. 4' GARAGE EXT.

SCALE: 1/4"=1'-0"



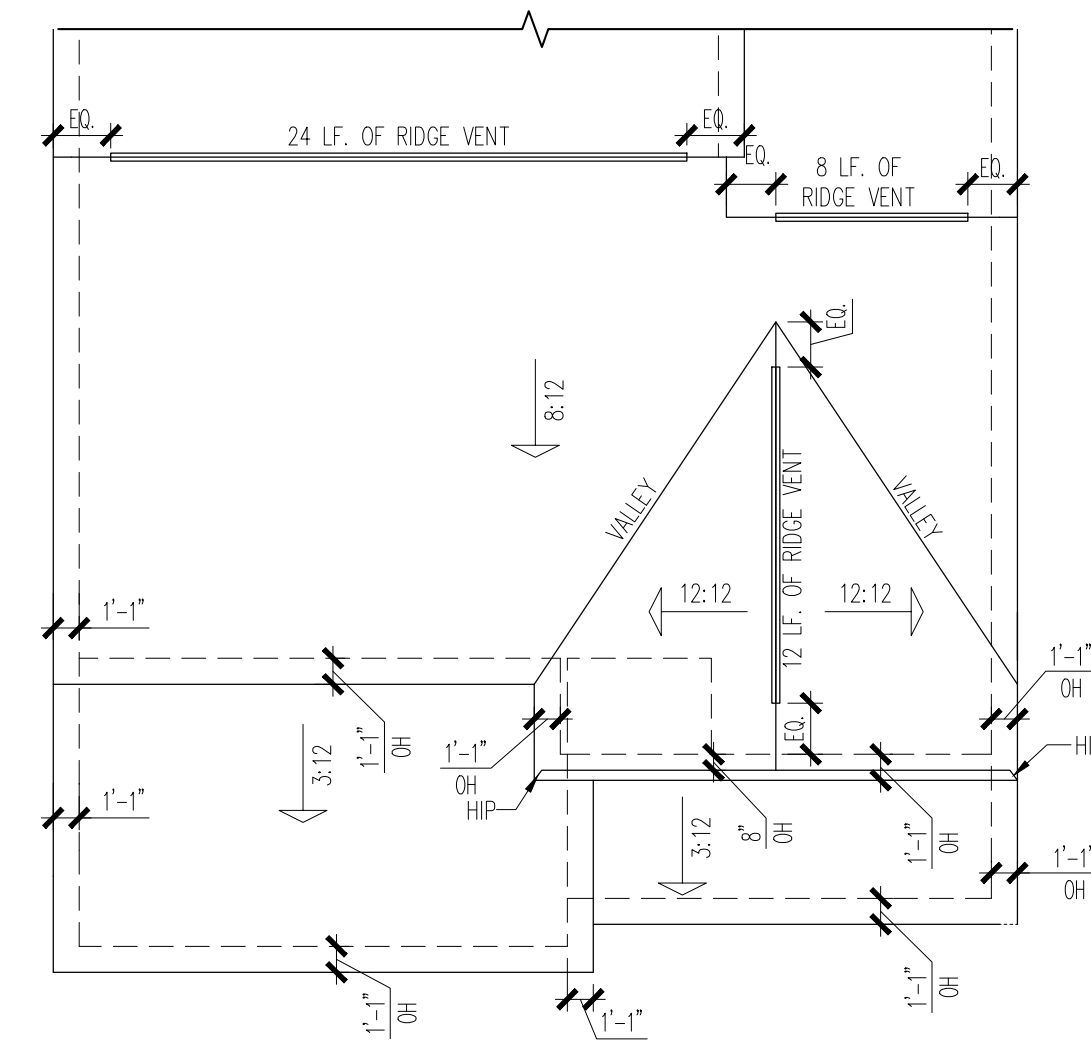
PARTIAL SECOND FLOOR PLAN

SCALE: 1/4"=1'-0"



PARTIAL FIRST FLOOR PLAN W/ OPT. 4' GARAGE EXT.

SCALE: 1/4"=1'-0"



PART. ROOF PLAN ELEV. "37" W/ OPT. 4' GARAGE EXT.

SCALE: 1/8"=1'-0"

PROVIDE 13" OVERHANGS WHERE OPTIONAL BRICK IS APPLIED

The CONTINENTAL
ELEVATION 37" W. OPT. 4' GARAGE EXTENSION

PRODUCT MANAGER

INITIAL RELEASE DATE:

REV# DATE/DESCRIPTION

REV#	DATE/DESCRIPTION

PROJECT TYPE

Single Family

PLAN NAME

Continental

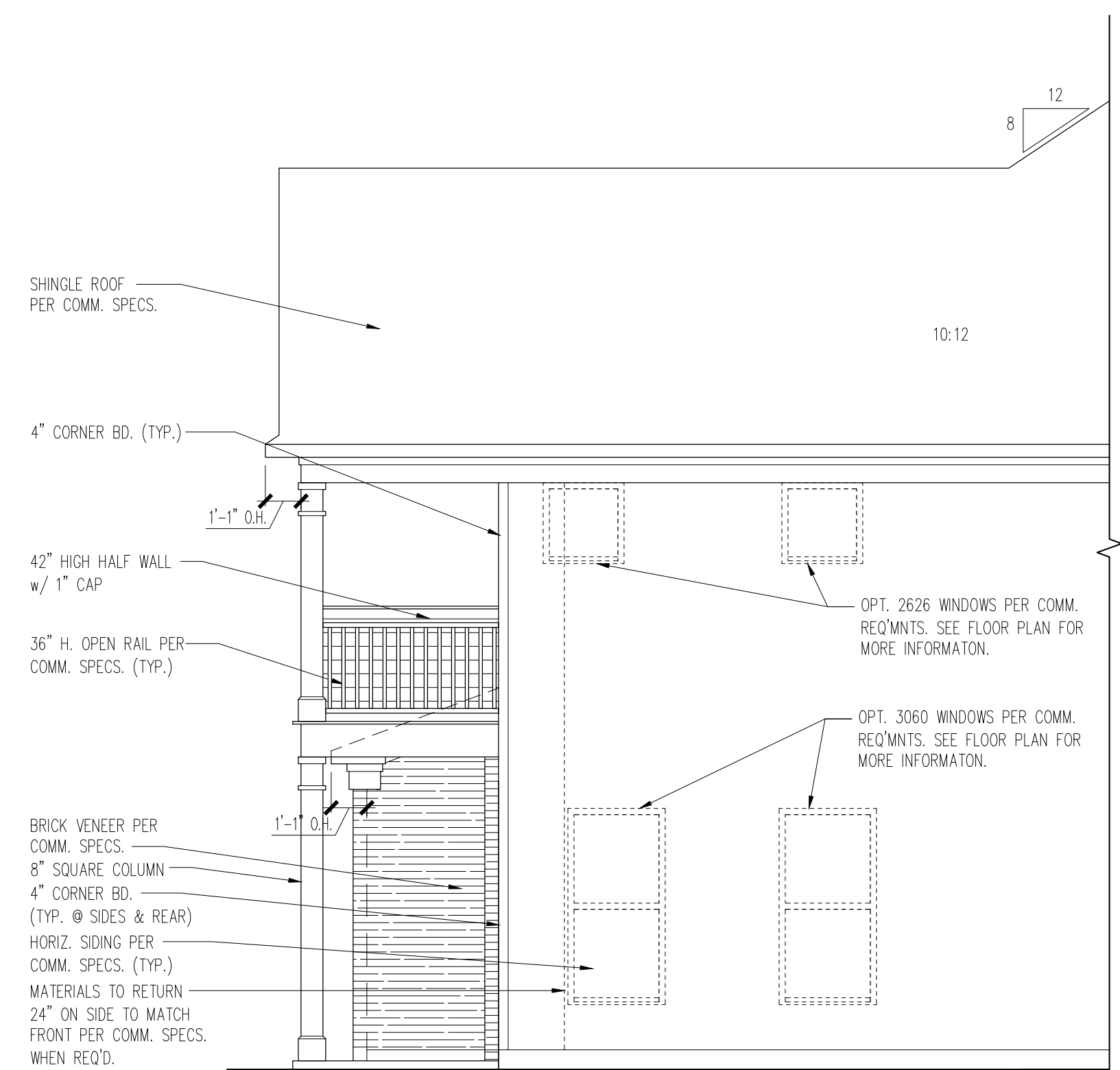
SHEET

3.37.1



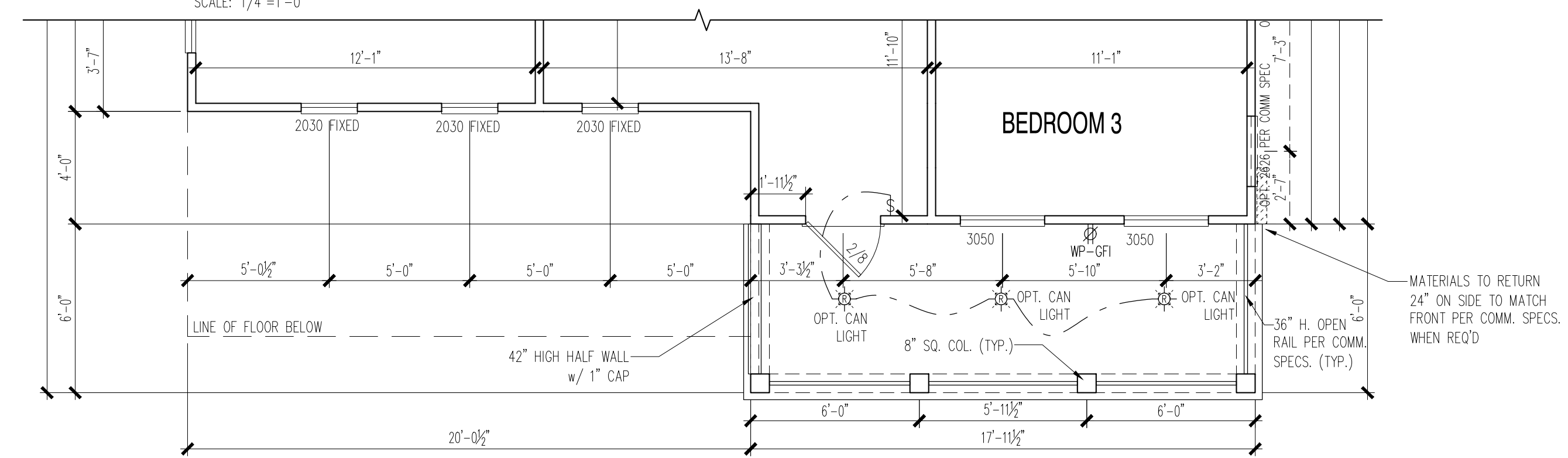
FRONT ELEVATION "38"

SCALE: 1/4"=1'-0"



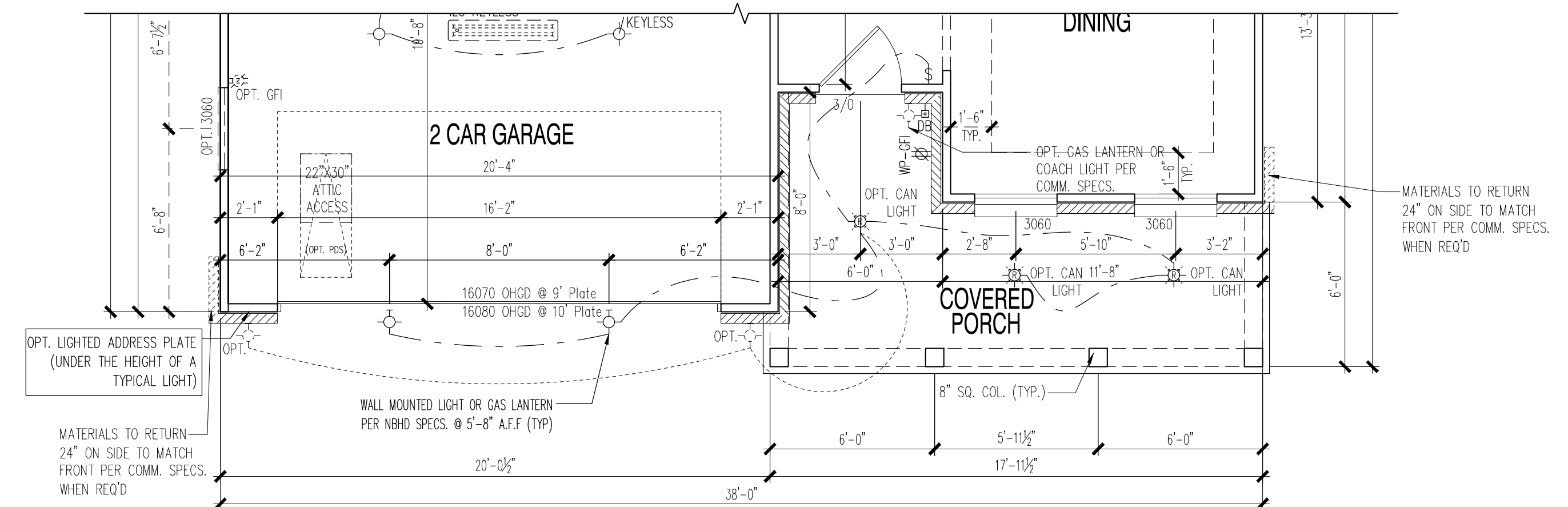
PARTIAL RIGHT SIDE ELEVATION

SCALE: 1/4"=1'-0"



PARTIAL SECOND FLOOR PLAN

SCALE: 1/4"=1'-0"



PARTIAL FIRST FLOOR PLAN

SCALE: 1/4"=1'-0"

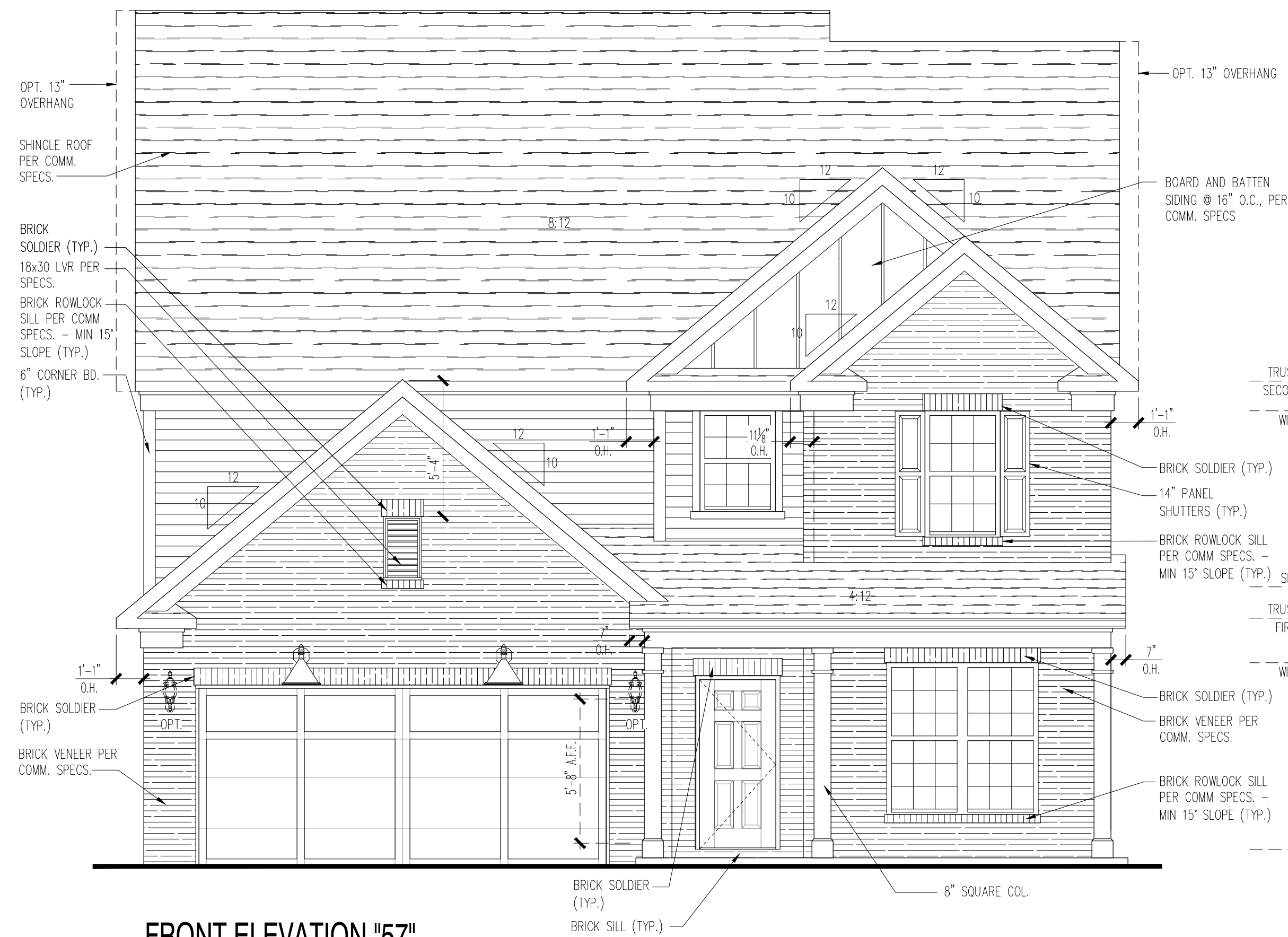
The CONTINENTAL
ELEVATION 38

PRODUCT MANAGER	
INITIAL RELEASE	DATE:
REV#	DATE/DESCRIPTION
△	
△	
△	
△	
△	
△	
△	

PROJECT TYPE
Single Family

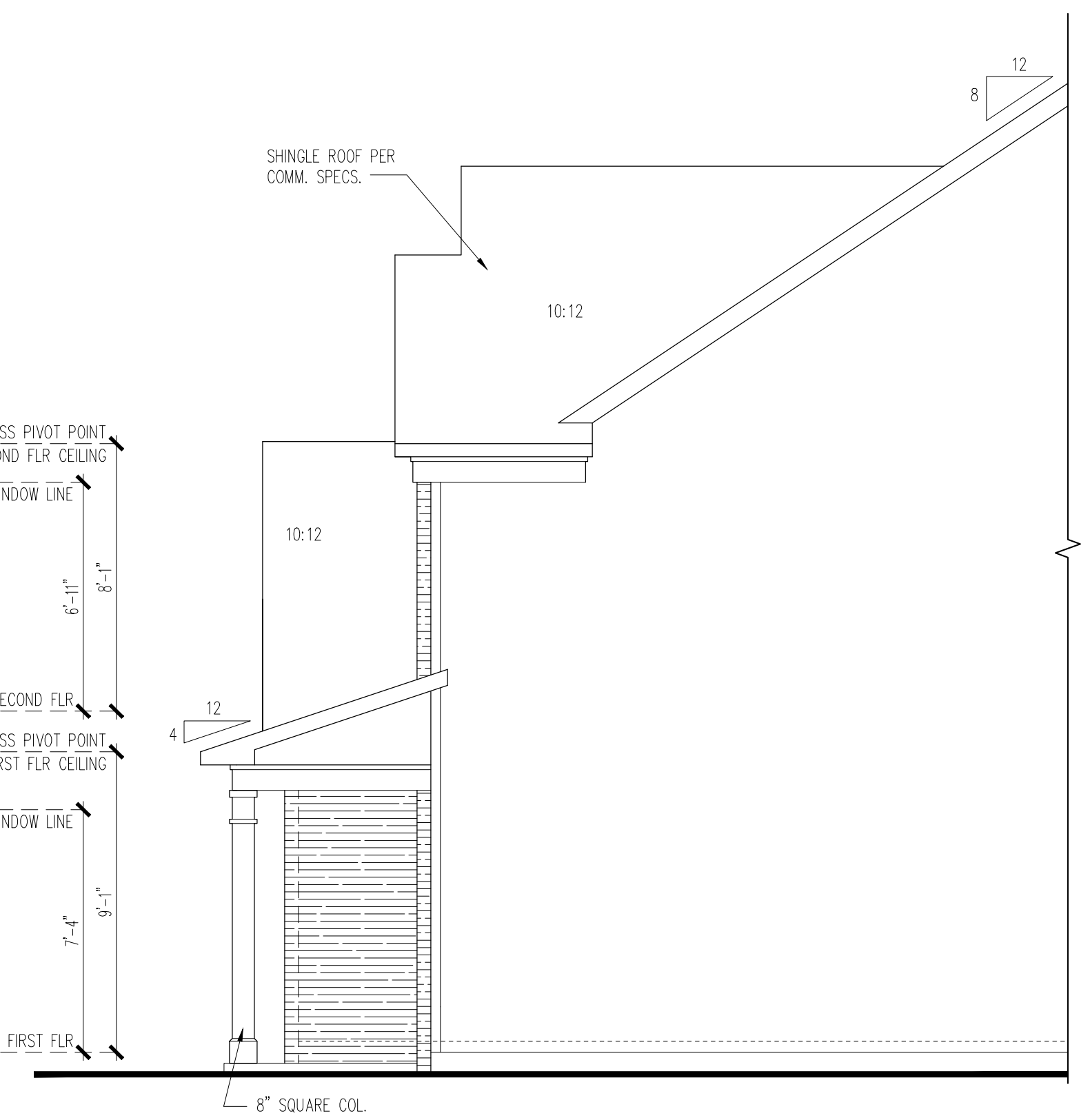
PLAN NAME
Continental

SHEET
3.38.0



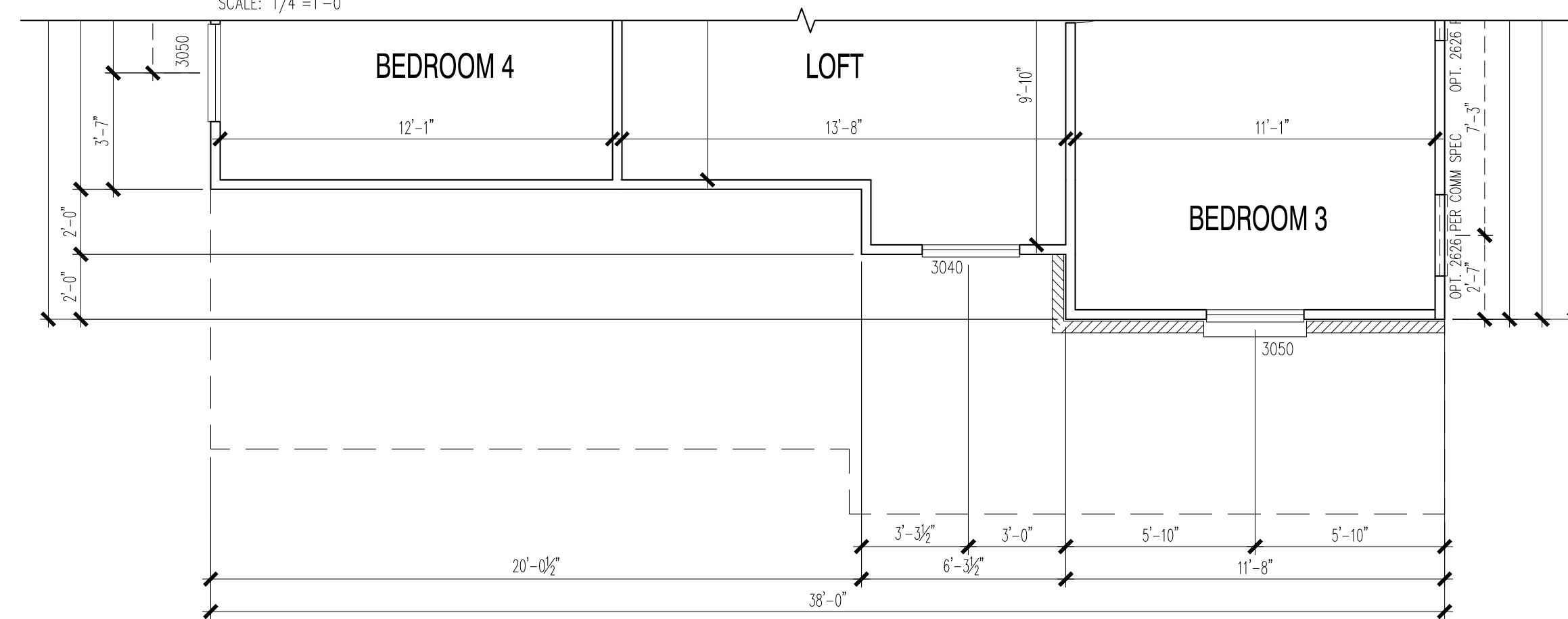
FRONT ELEVATION "57"

SCALE: 1/4"=1'-0"



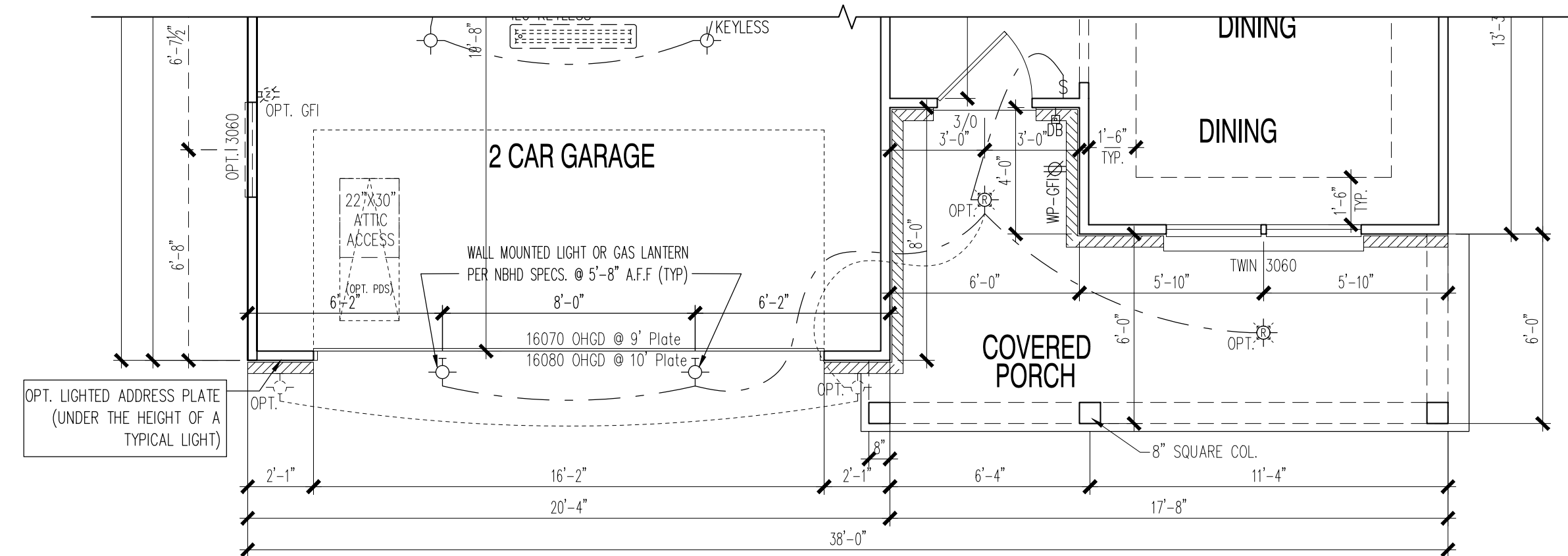
PARTIAL RIGHT SIDE ELEVATION

SCALE: 1/4"=1'-0"



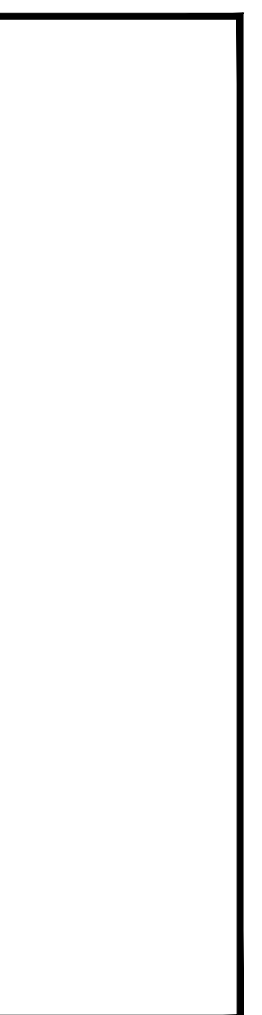
PARTIAL SECOND FLOOR PLAN

SCALE: 1/4"=1'-0"



PARTIAL FIRST FLOOR PLAN

SCALE: 1/4"=1'-0"



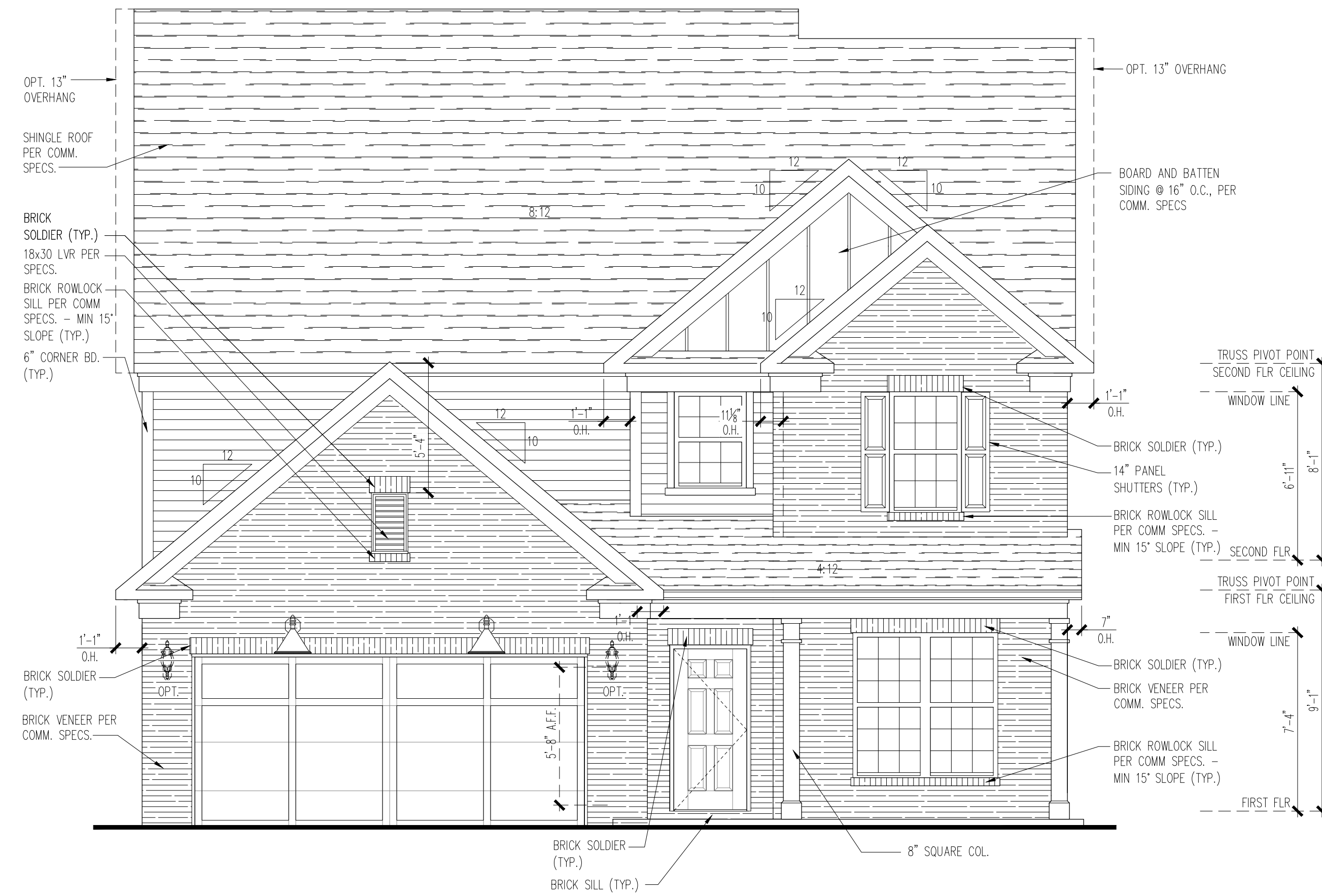
The CONTINENTAL
 FRONT ELEVATION "57" FRONT ENTRY GARAGE

PRODUCT MANAGER	
INITIAL RELEASE	DATE:
REV#	DATE/DESCRIPTION
△	
△	
△	
△	
△	
△	
△	

PROJECT TYPE
Single Family

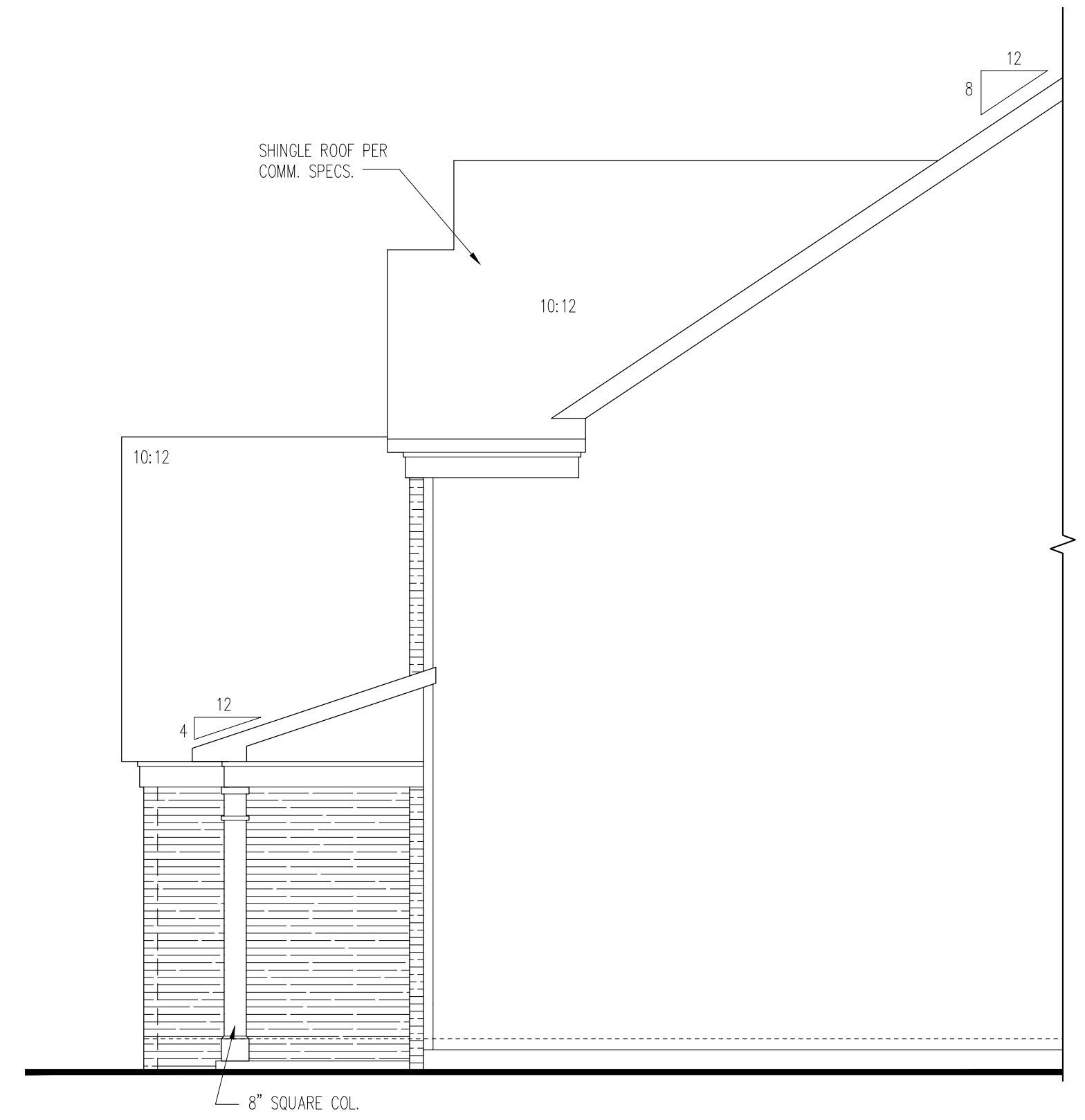
PLAN NAME
Continental

SHEET
3.57



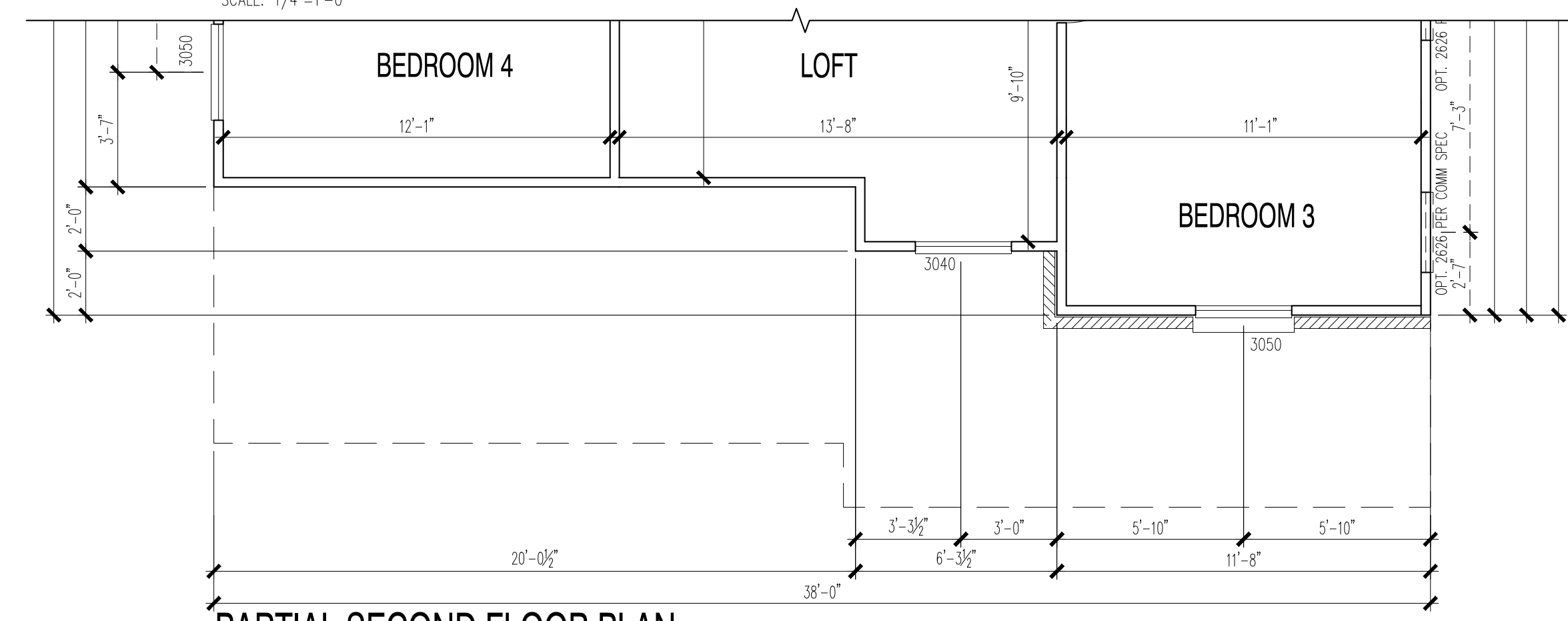
FRONT ELEVATION "57" W/ OPT. 4' GARAGE EXT.

SCALE: 1/4"=1'-0"



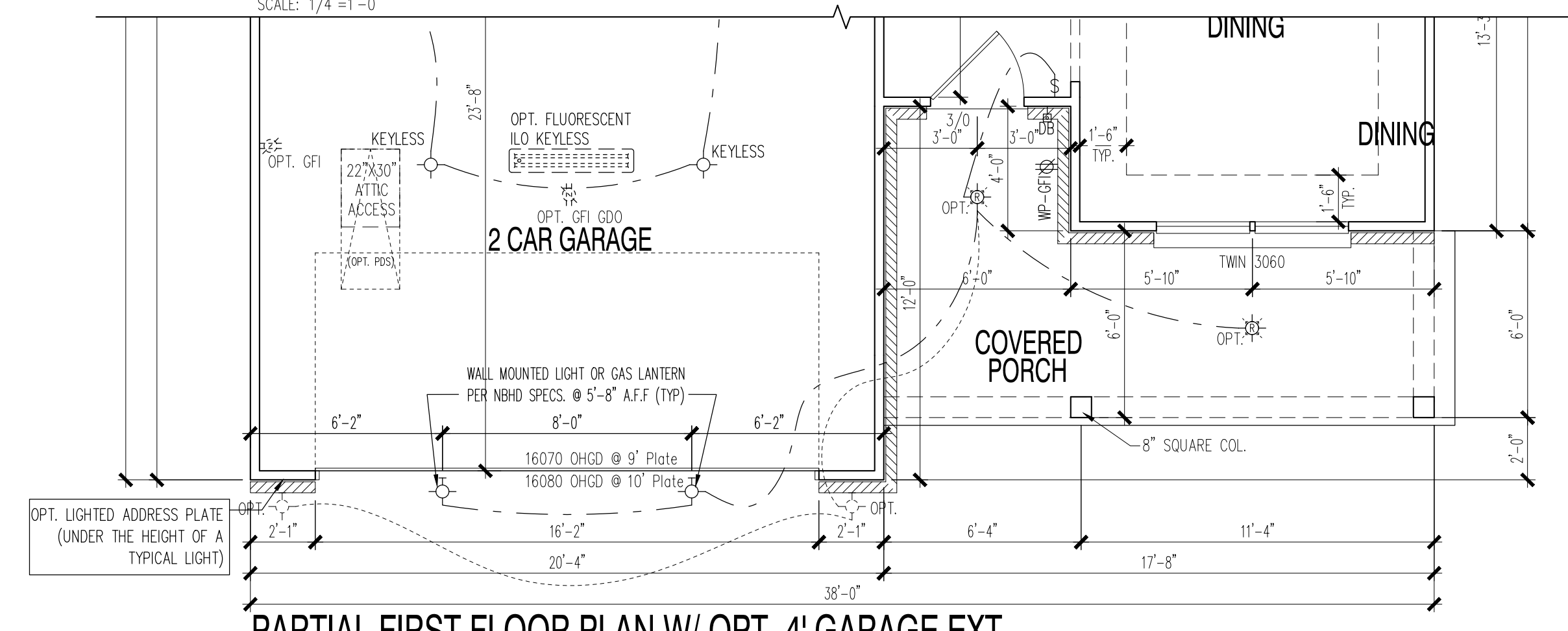
PARTIAL RIGHT SIDE ELEVATION W/ OPT. 4' GARAGE EXT.

SCALE: 1/4"=1'-0"



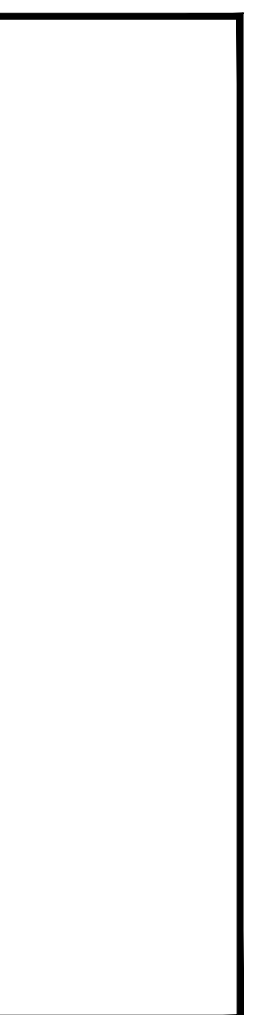
PARTIAL SECOND FLOOR PLAN

SCALE: 1/4"=1'-0"



PARTIAL FIRST FLOOR PLAN W/ OPT. 4' GARAGE EXT.

SCALE: 1/4"=1'-0"



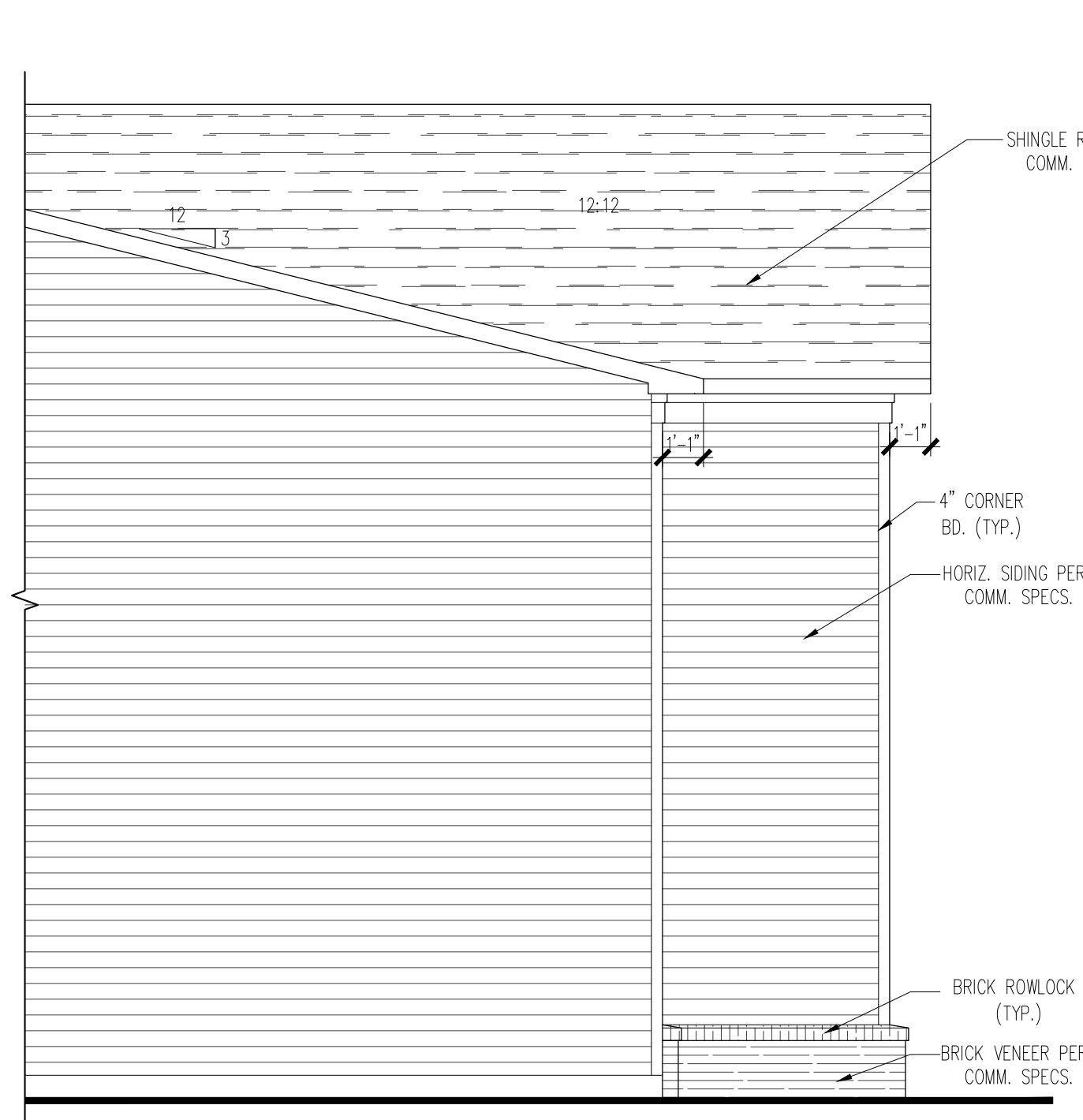
The CONTINENTAL
 FRONT ELEVATION "57" W/ OPT. 4' EXTENSION
 FRONT ENTRY GARAGE

REV#	DATE/DESCRIPTION

PROJECT TYPE
 Single Family

PLAN NAME
 Continental

SHEET
 3.57



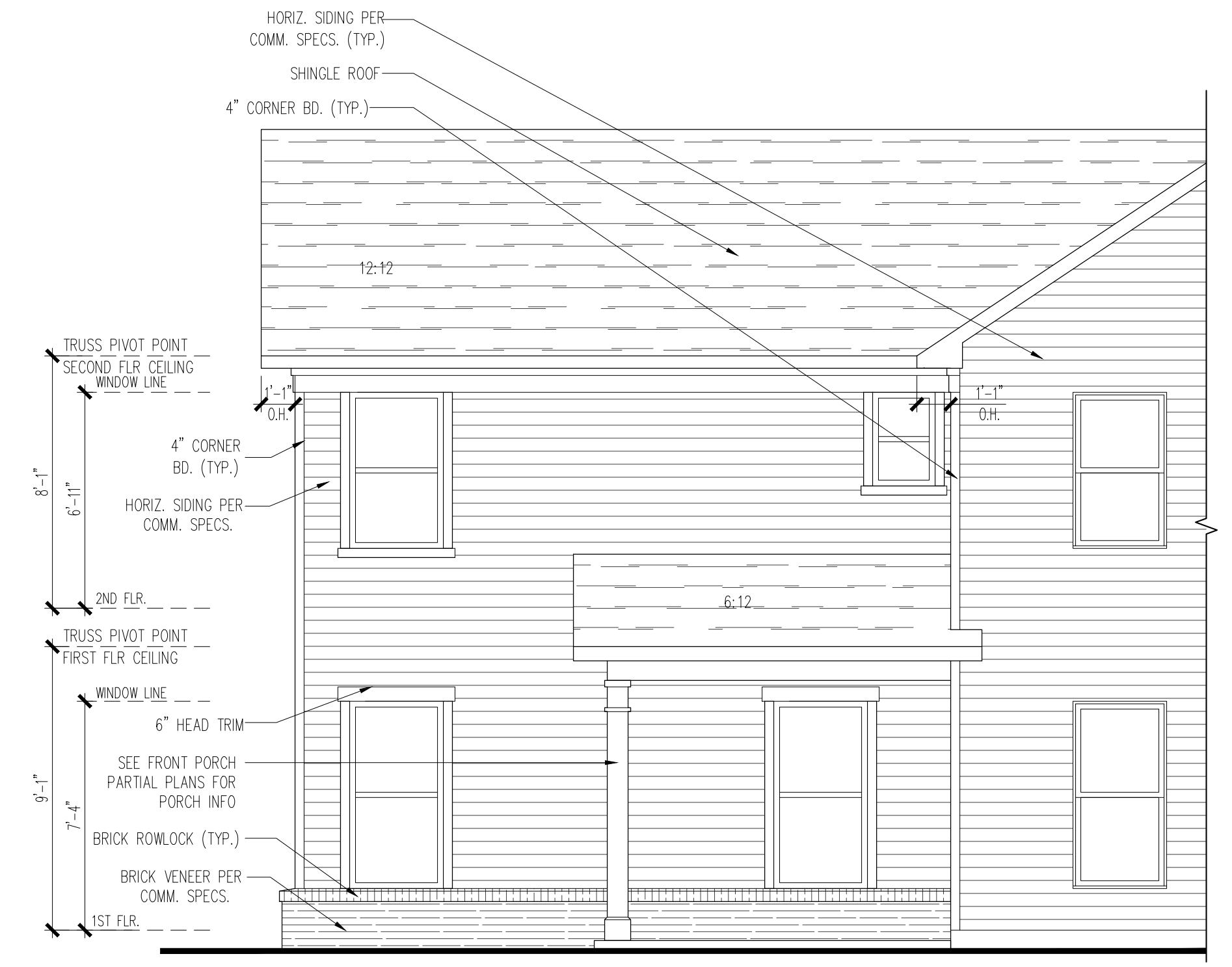
PARTIAL LEFT SIDE ELEVATION

SCALE: 1/4" = 1'-0"



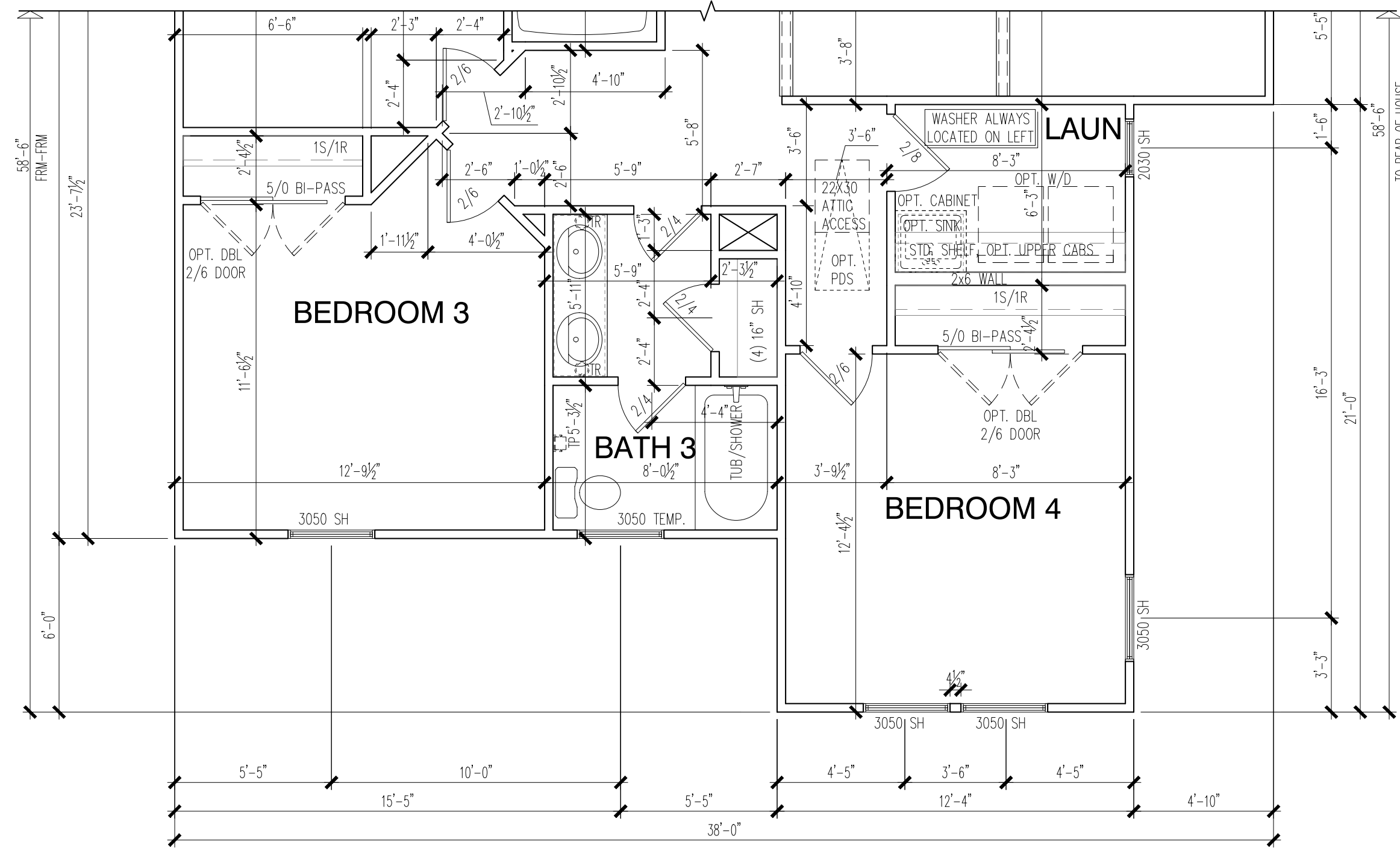
FRONT ELEVATION "1"

SCALE: 1/4" = 1'-0"



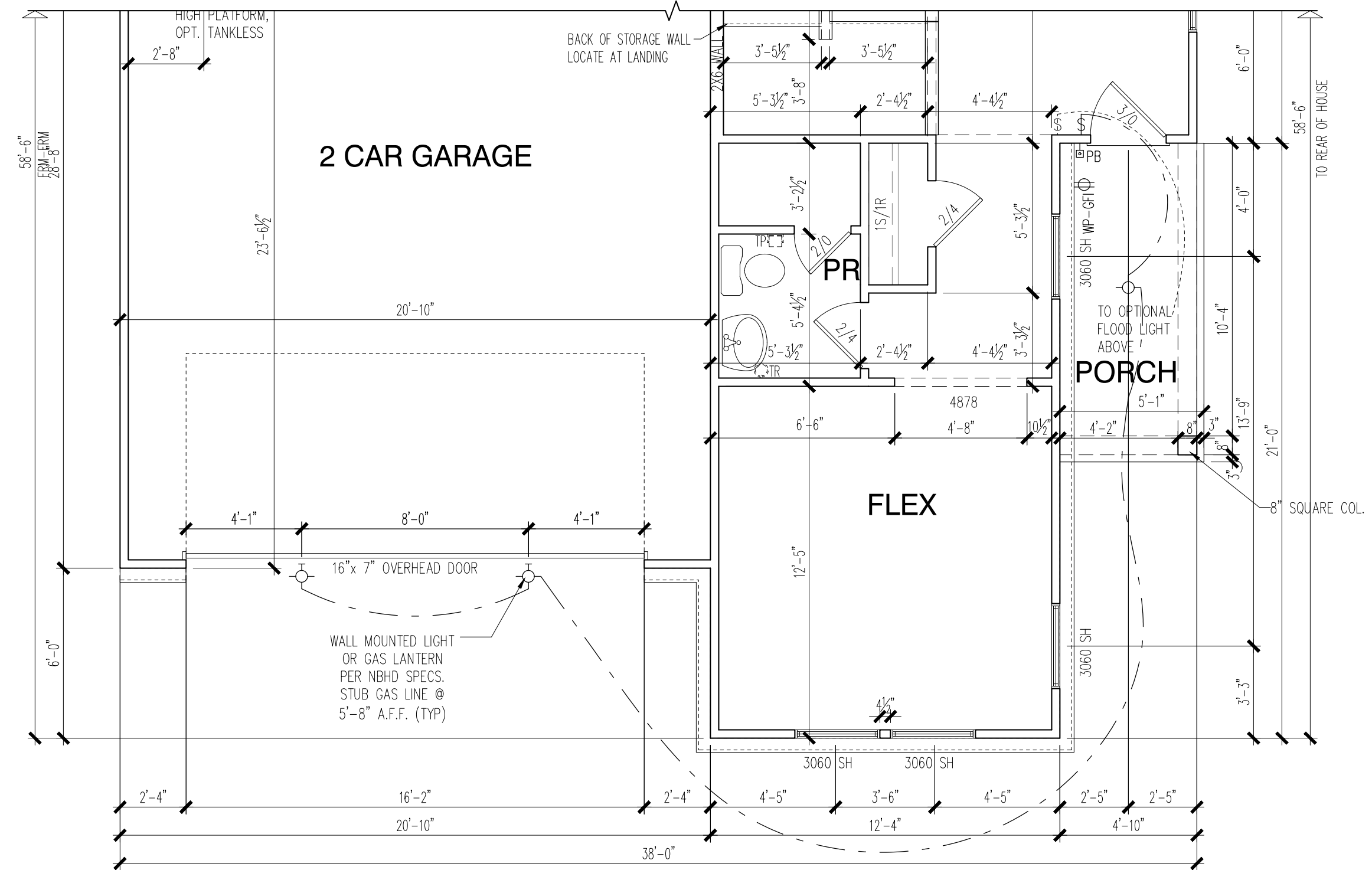
PARTIAL RIGHT SIDE ELEVATION

SCALE: 1/4" = 1'-0"



PARTIAL SECOND FLOOR PLAN

SCALE: 1/4" = 1'-0"



PARTIAL FIRST FLOOR PLAN

SCALE: 1/4" = 1'-0"

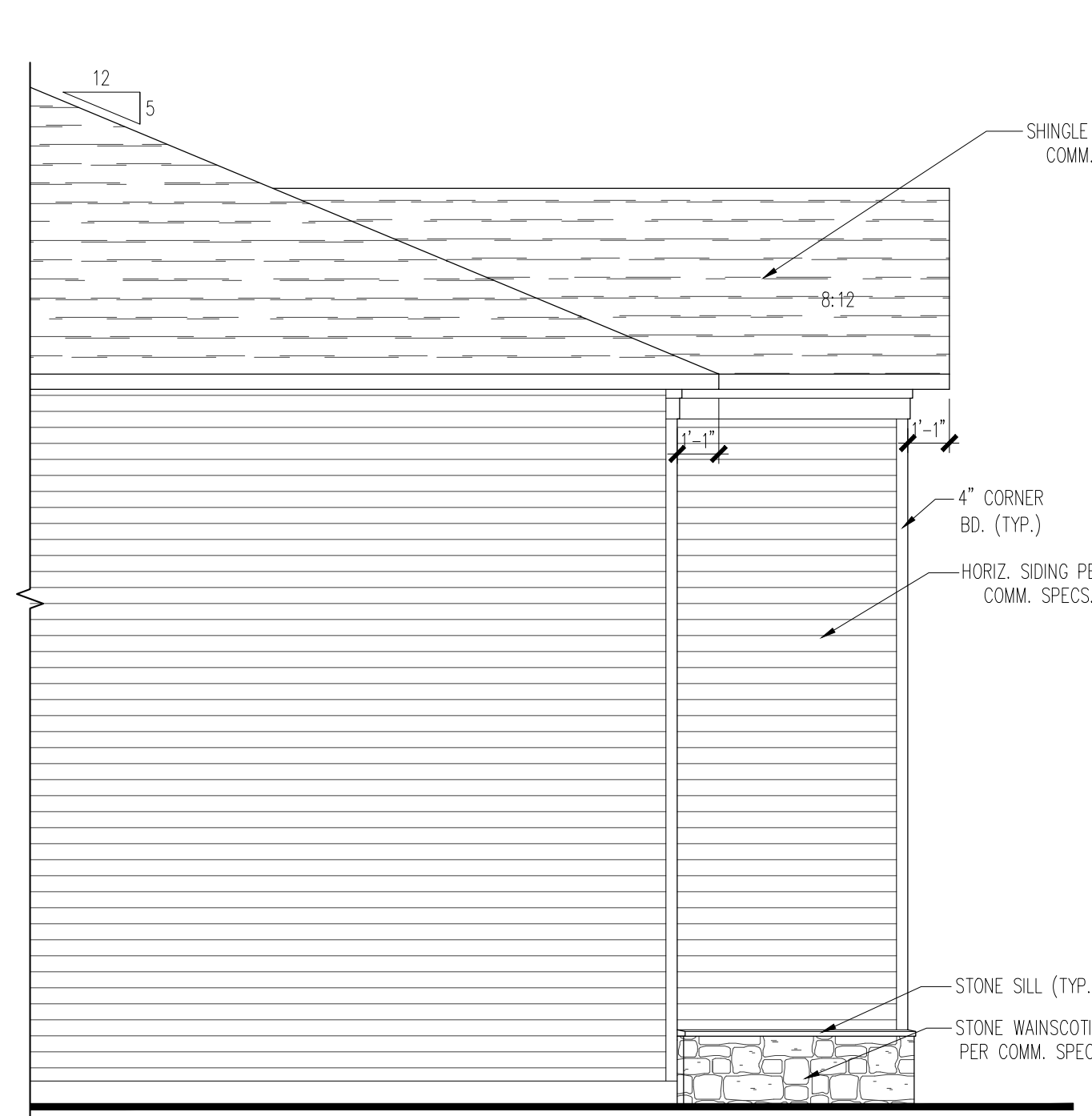
The LEYTON
FRONT ELEVATION 1

PRODUCT MANAGER	
INITIAL RELEASE DATE:	
REV#	DATE/DESCRIPTION
△	
△	
△	
△	
△	
△	

PROJECT TYPE
Single Family

PLAN NAME
LEYTON

SHEET
3.10



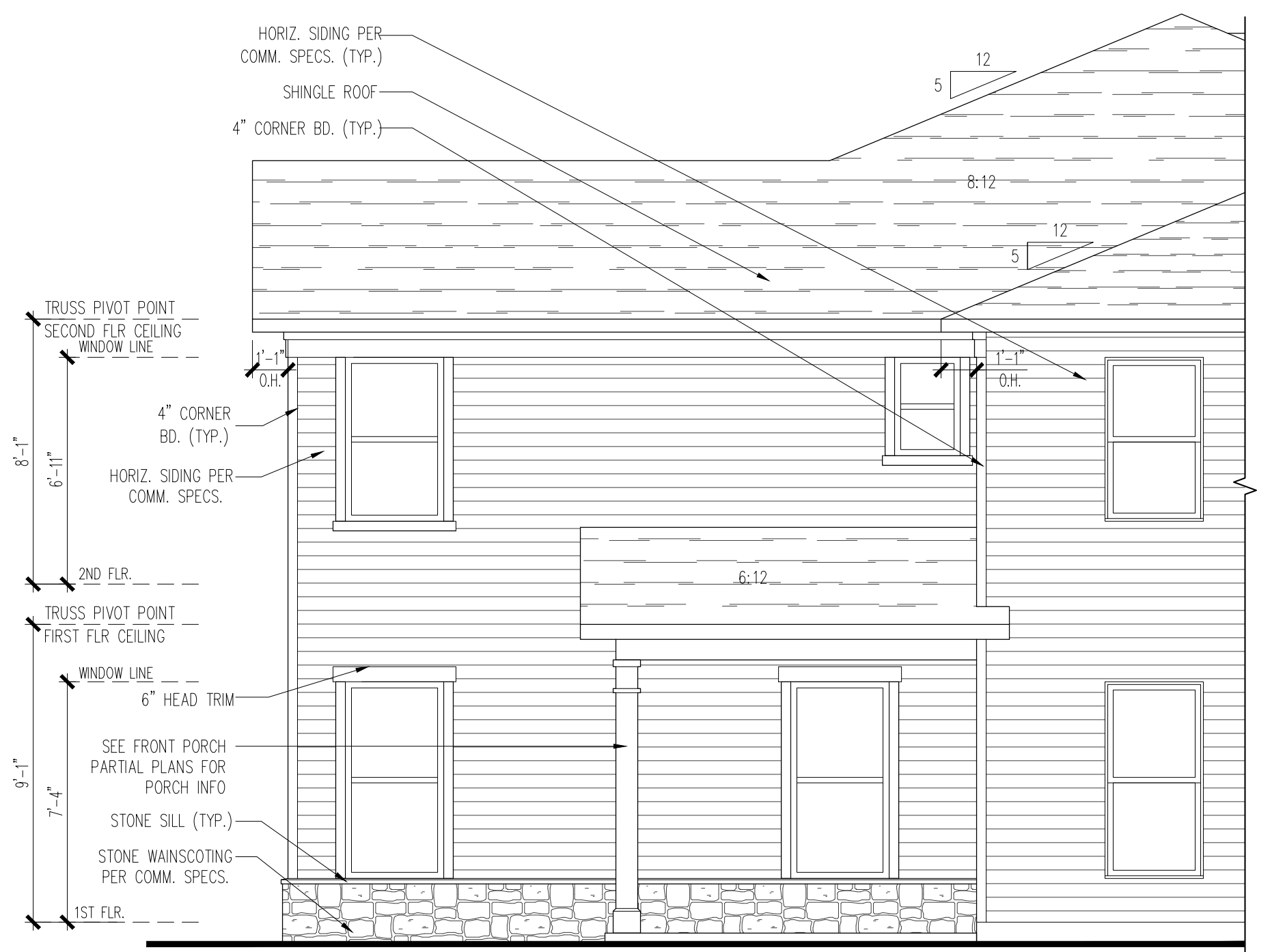
PARTIAL LEFT SIDE ELEVATION

SCALE: 1/4" = 1'-0"



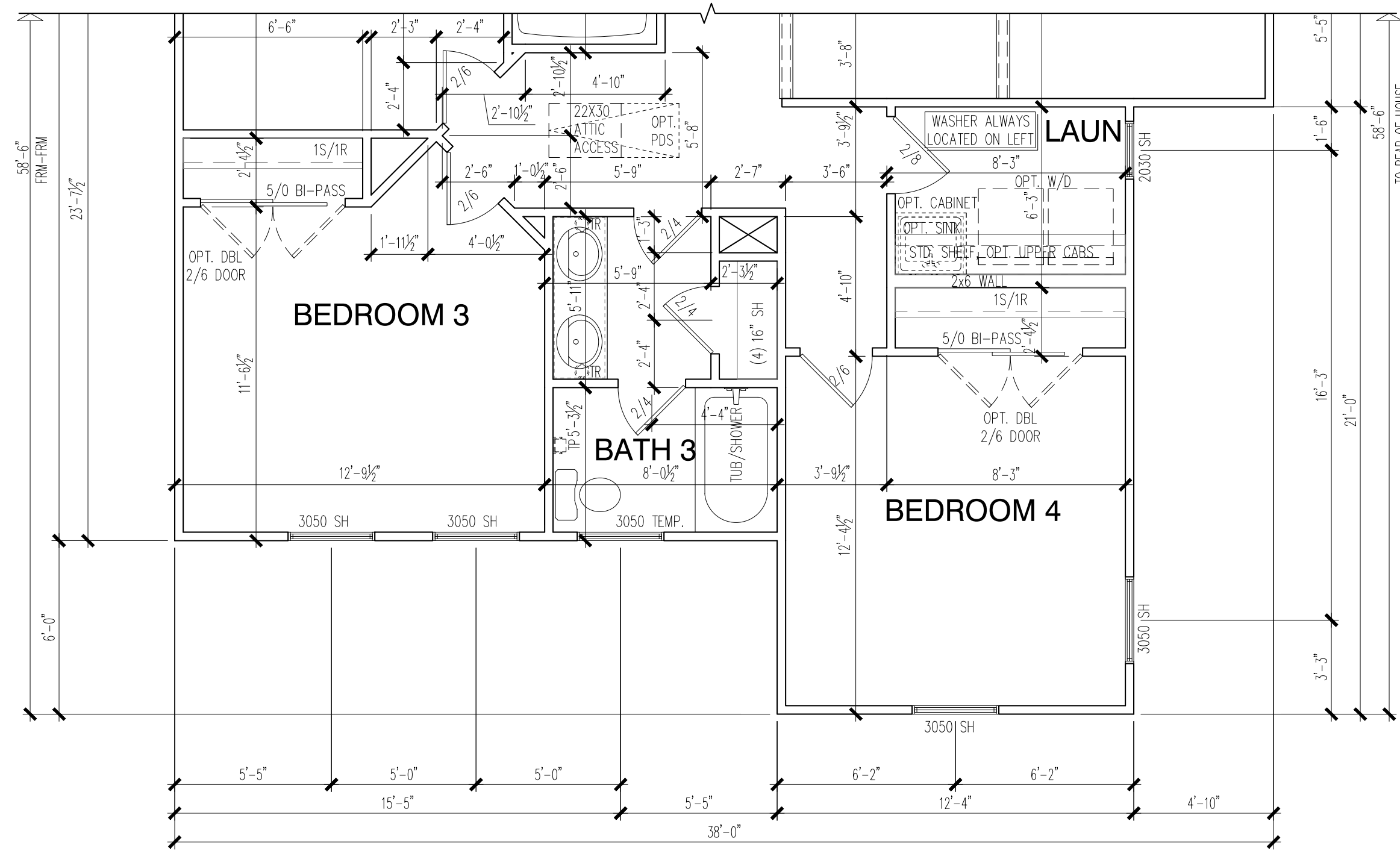
FRONT ELEVATION #2

SCALE: 1/4" = 1'-0"



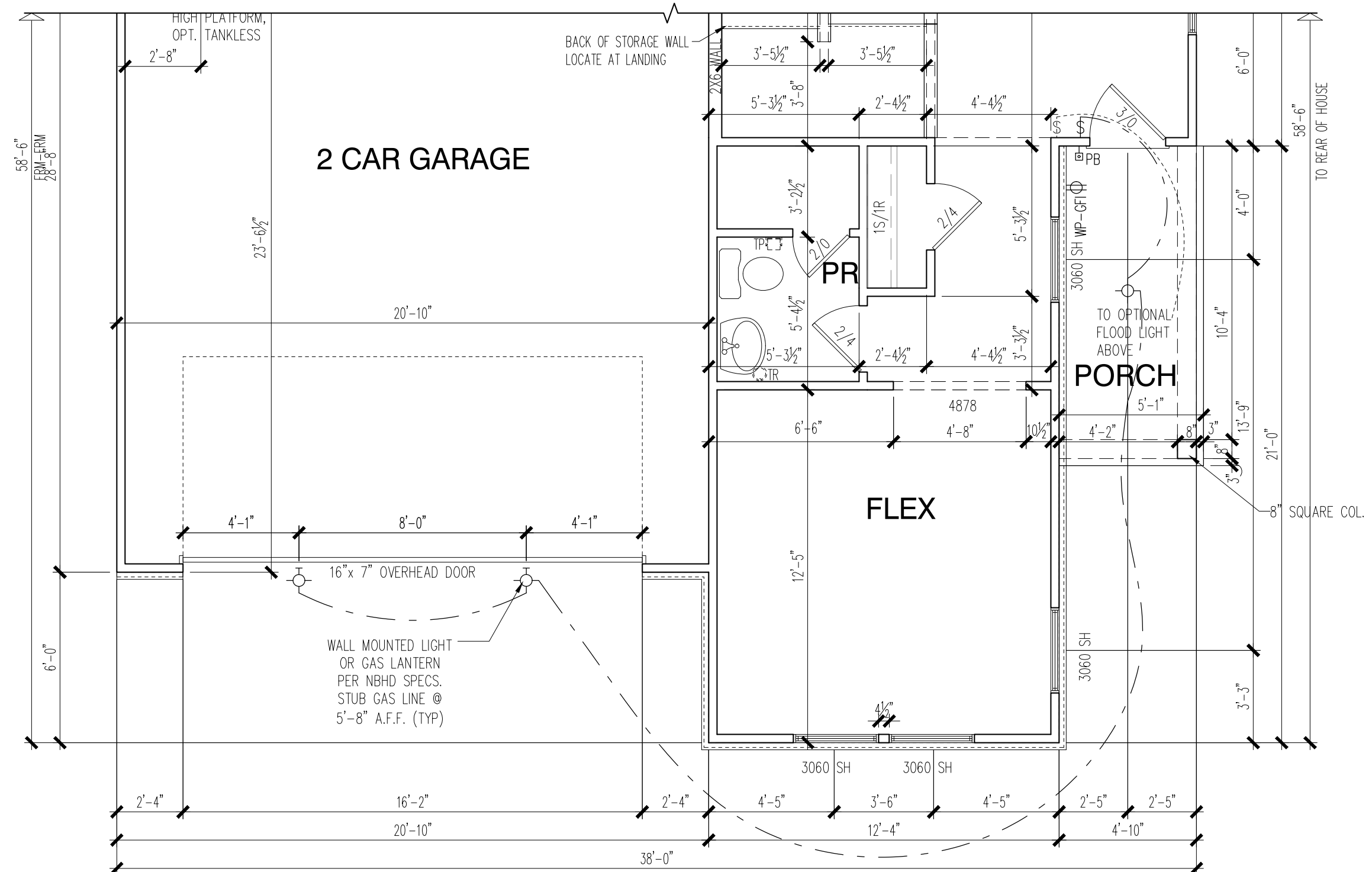
PARTIAL RIGHT SIDE ELEVATION

SCALE: 1/4" = 1'-0"



PARTIAL SECOND FLOOR PLAN

SCALE: 1/4" = 1'-0"



PARTIAL FIRST FLOOR PLAN

SCALE: 1/4" = 1'-0"

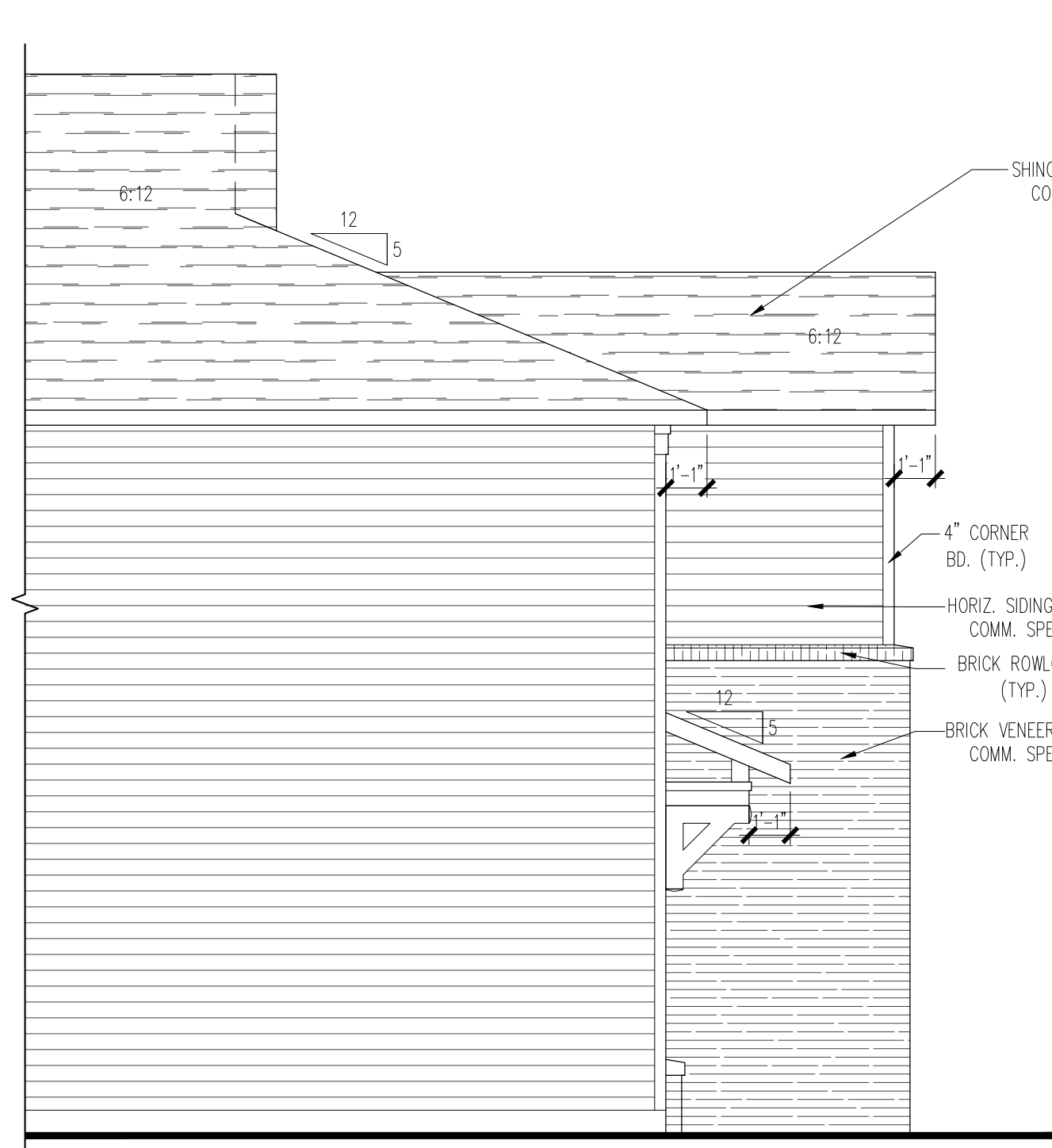
The LEYTON
FRONT ELEVATION 2

PRODUCT MANAGER	
INITIAL RELEASE DATE:	
REV#	DATE/DESCRIPTION

PROJECT TYPE
Single Family

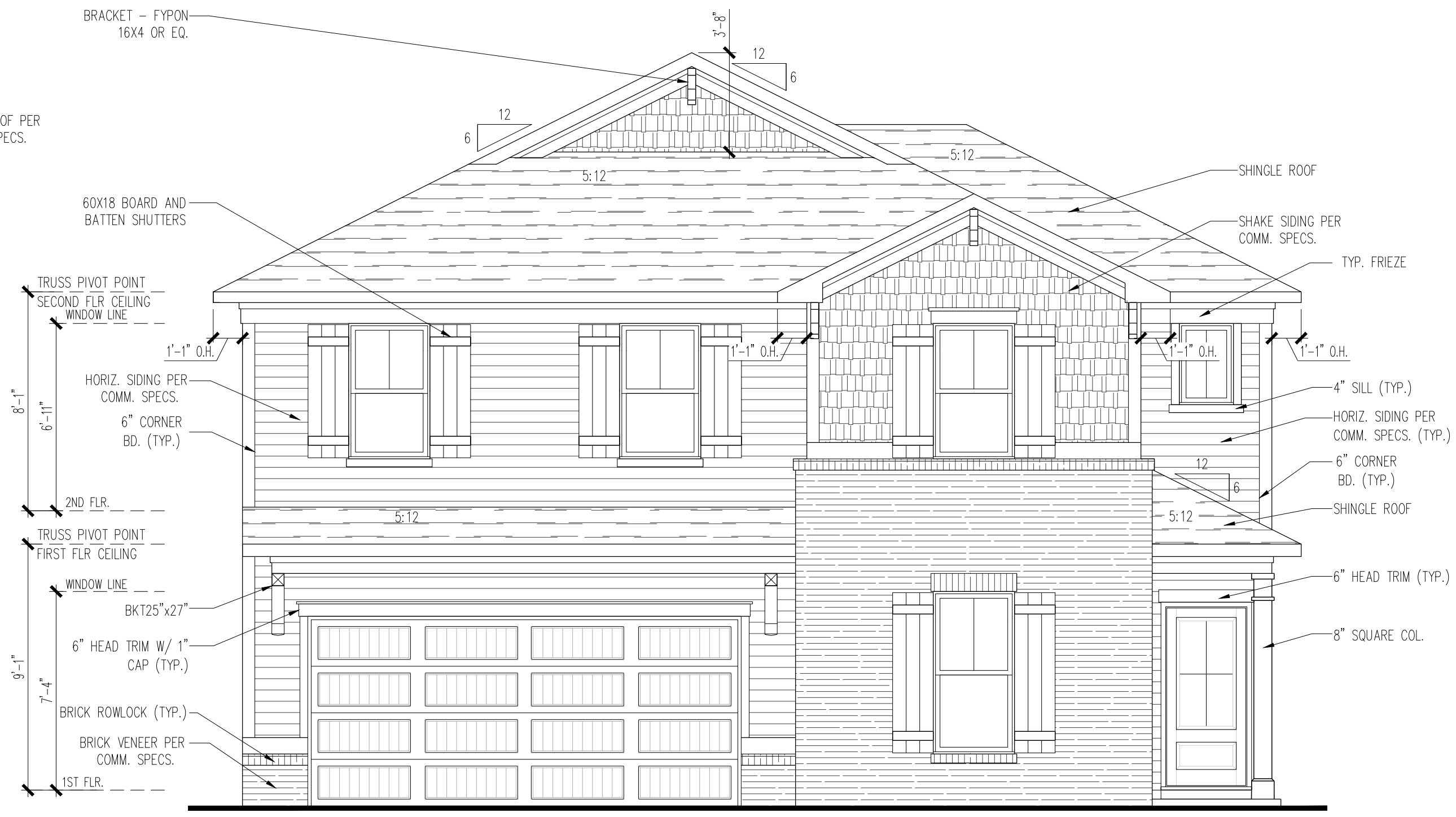
PLAN NAME
LEYTON

SHEET
3.20



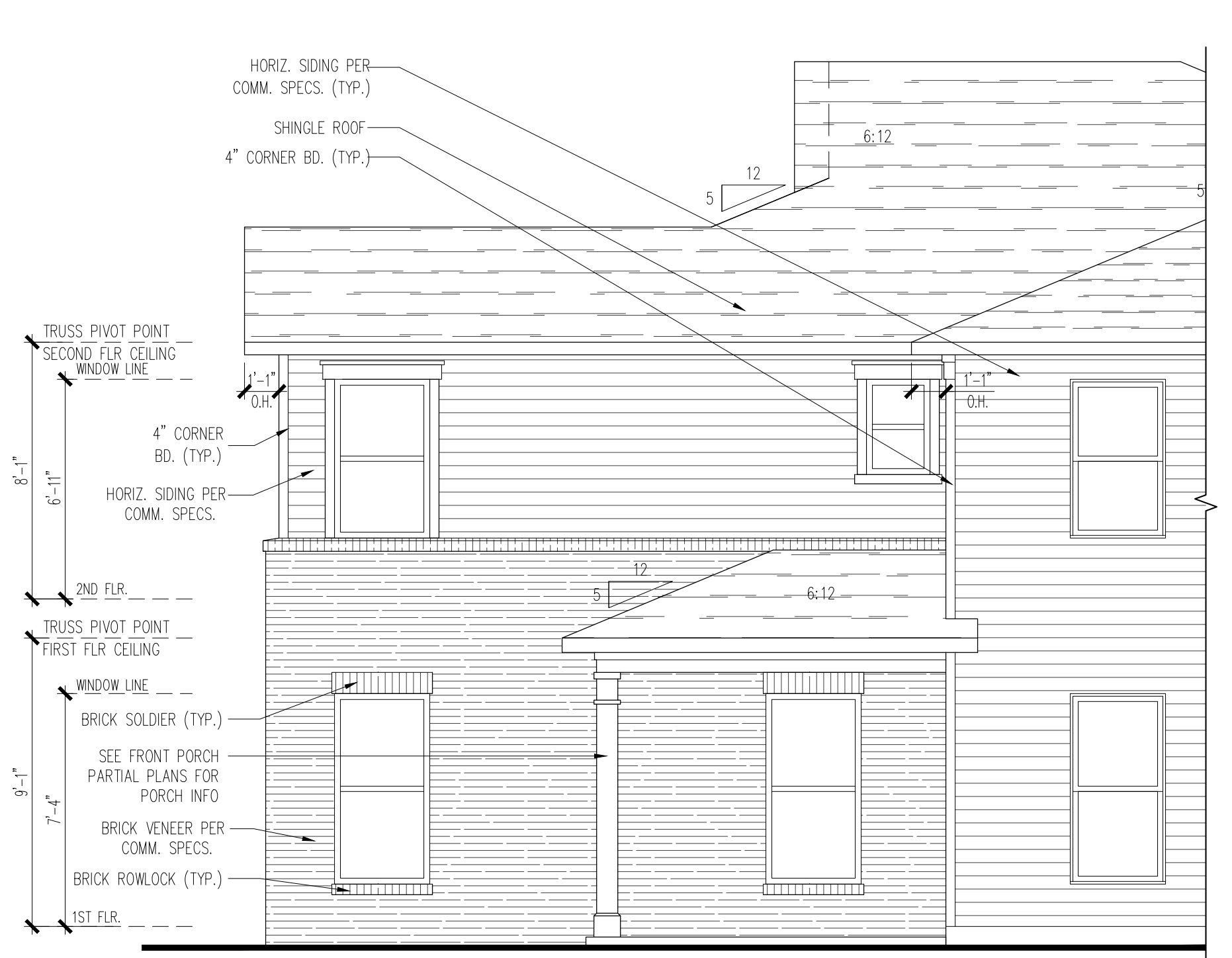
PARTIAL LEFT SIDE ELEVATION

SCALE: 1/4" = 1'-0"



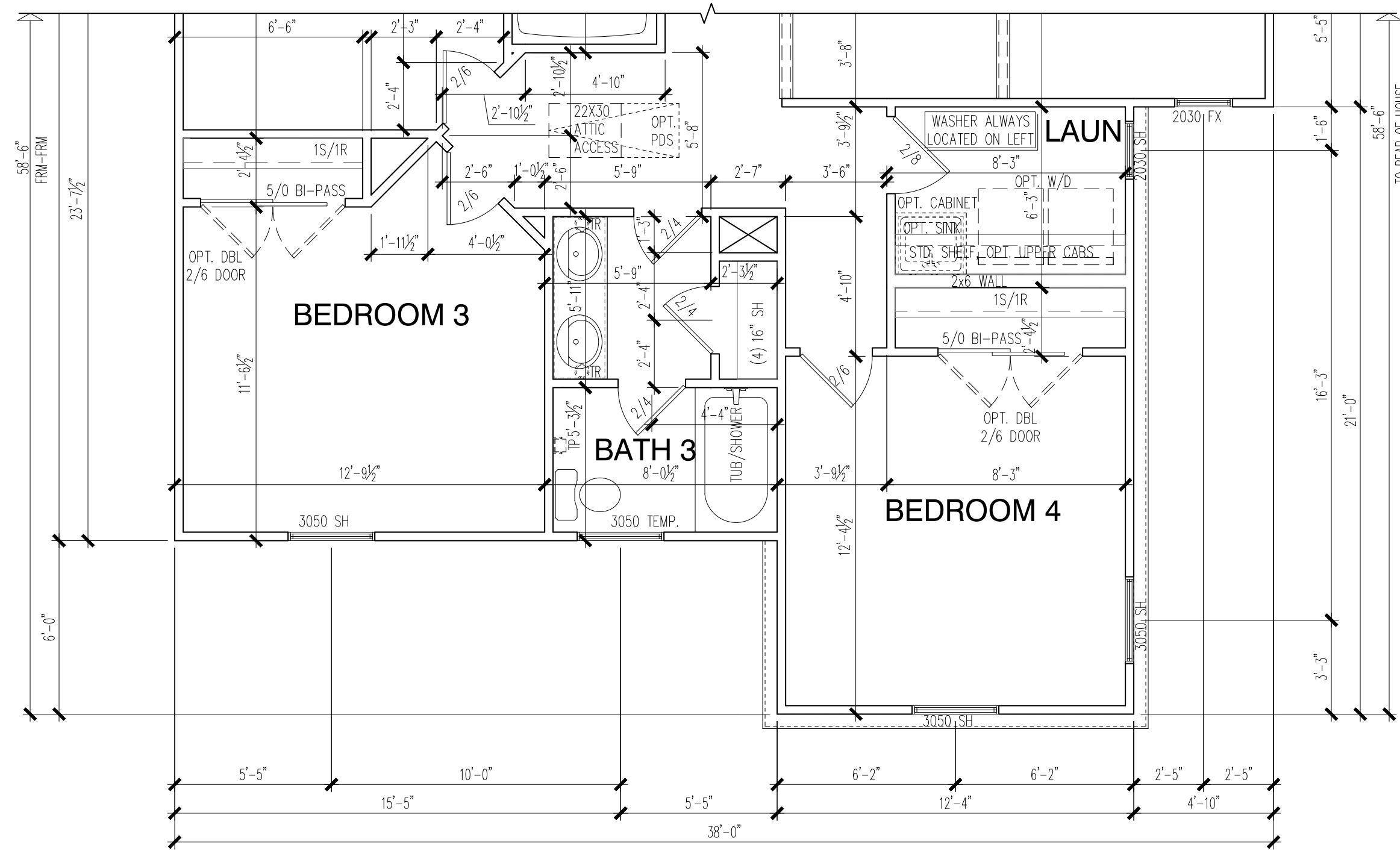
FRONT ELEVATION "3"

SCALE: 1/4" = 1'-0"



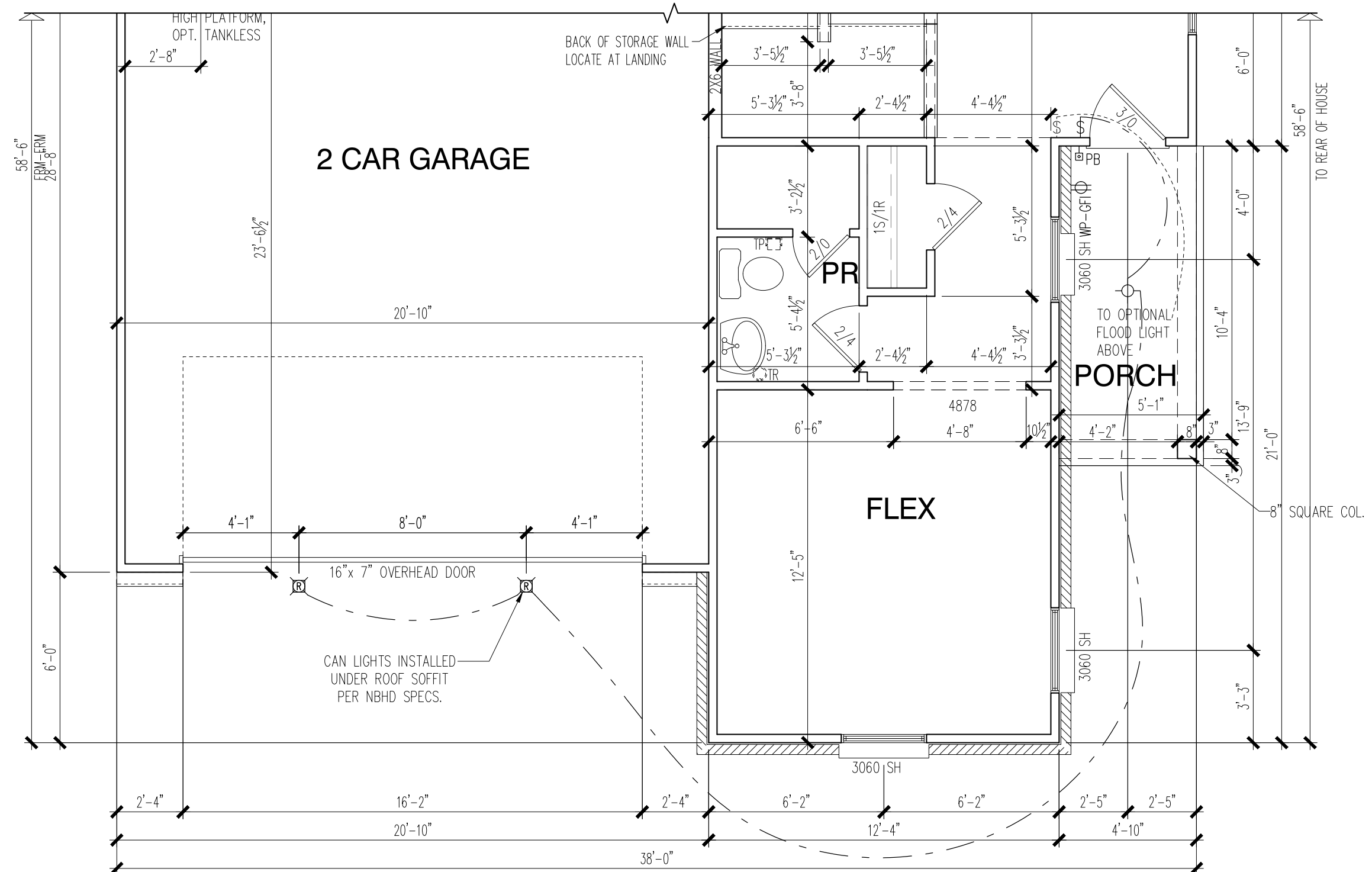
PARTIAL RIGHT SIDE ELEVATION

SCALE: 1/4" = 1'-0"



PARTIAL SECOND FLOOR PLAN

SCALE: 1/4" = 1'-0"



PARTIAL FIRST FLOOR PLAN

SCALE: 1/4" = 1'-0"

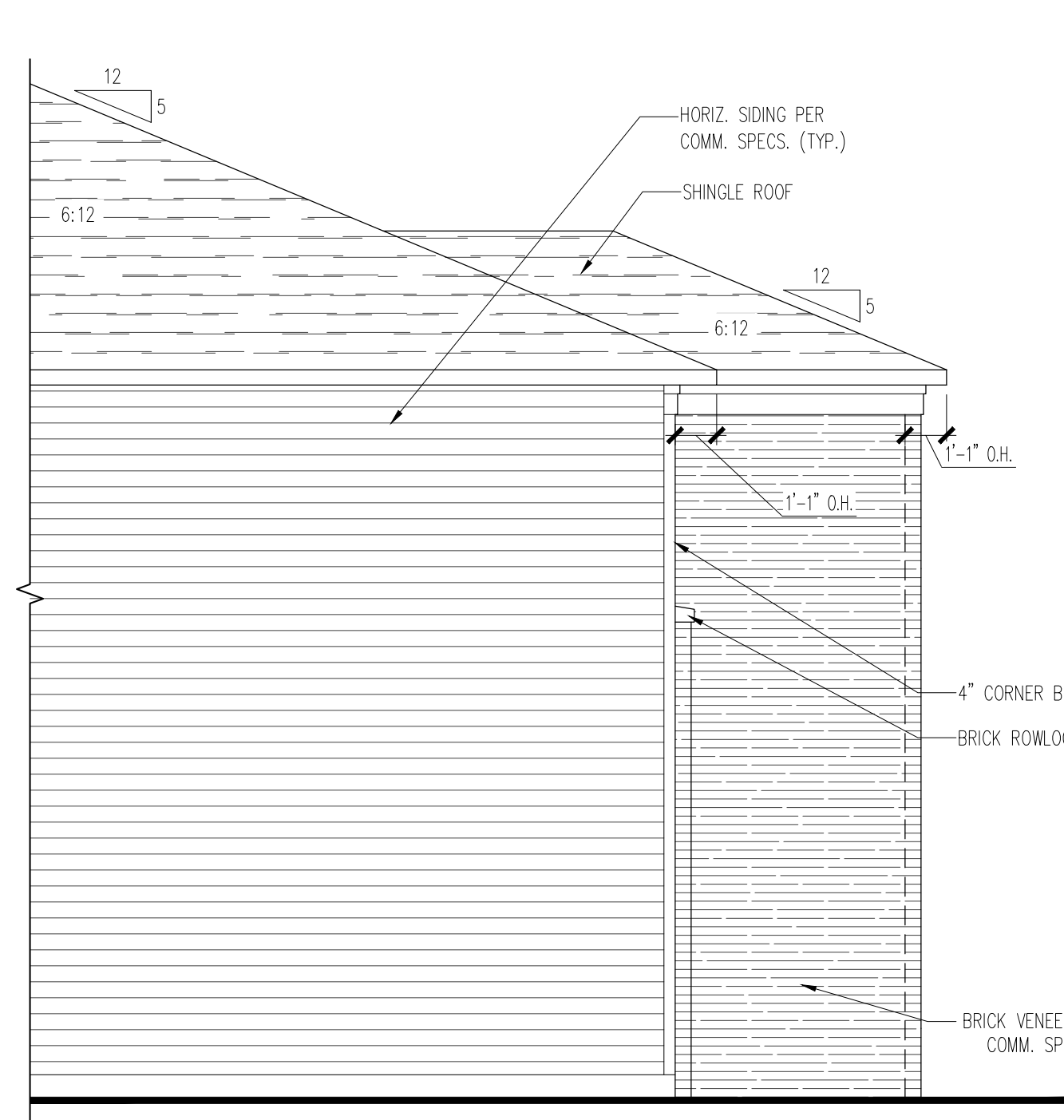
The LEYTON
FRONT ELEVATION 3

PRODUCT MANAGER	
INITIAL RELEASE DATE:	
REV#	DATE/DESCRIPTION
△	
△	
△	
△	
△	
△	

PROJECT TYPE
Single Family

PLAN NAME
LEYTON

SHEET
3.3.0



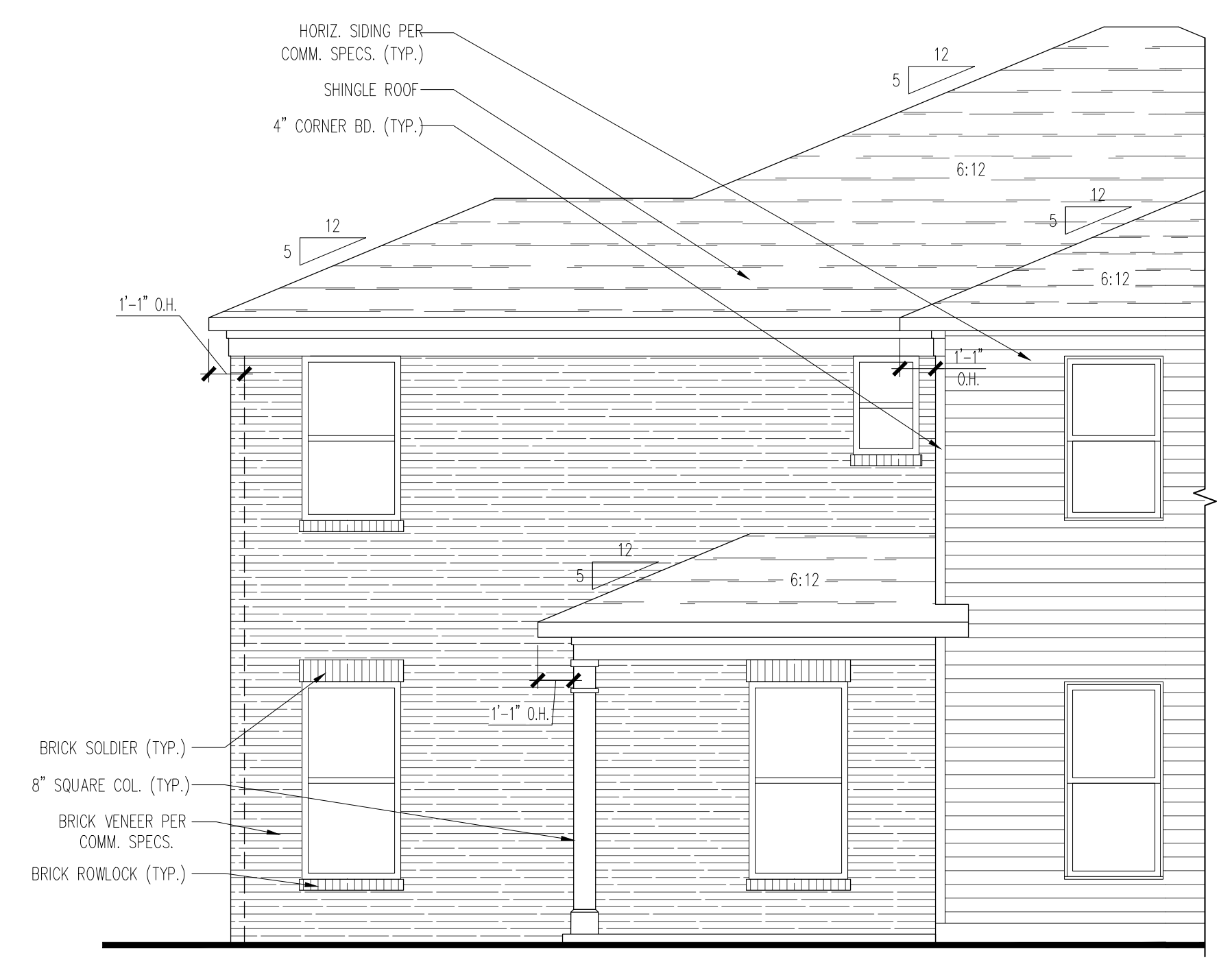
PARTIAL LEFT SIDE ELEVATION

SCALE: 1/4" = 1'-0"



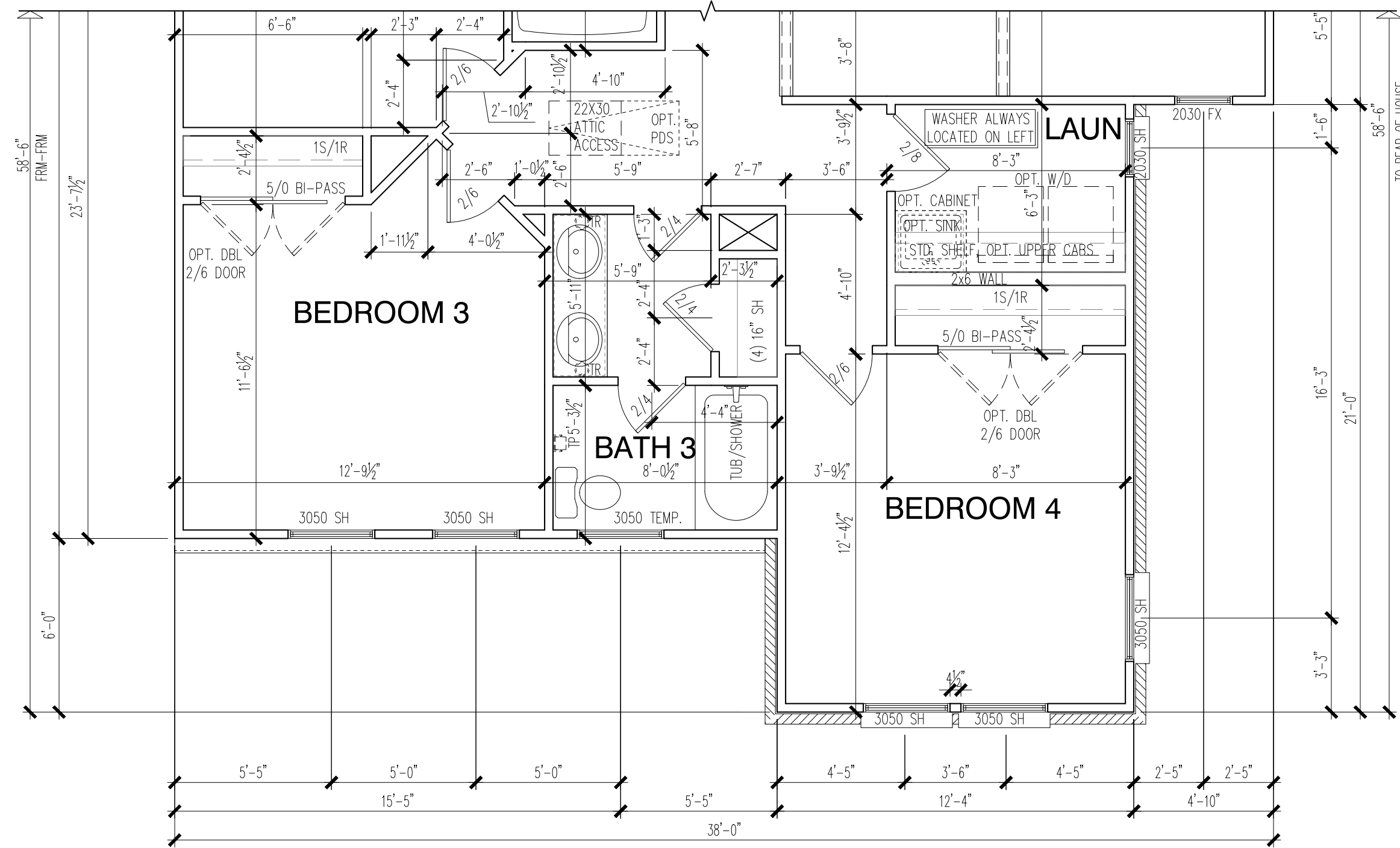
FRONT ELEVATION "4"

SCALE: 1/4" = 1'-0"



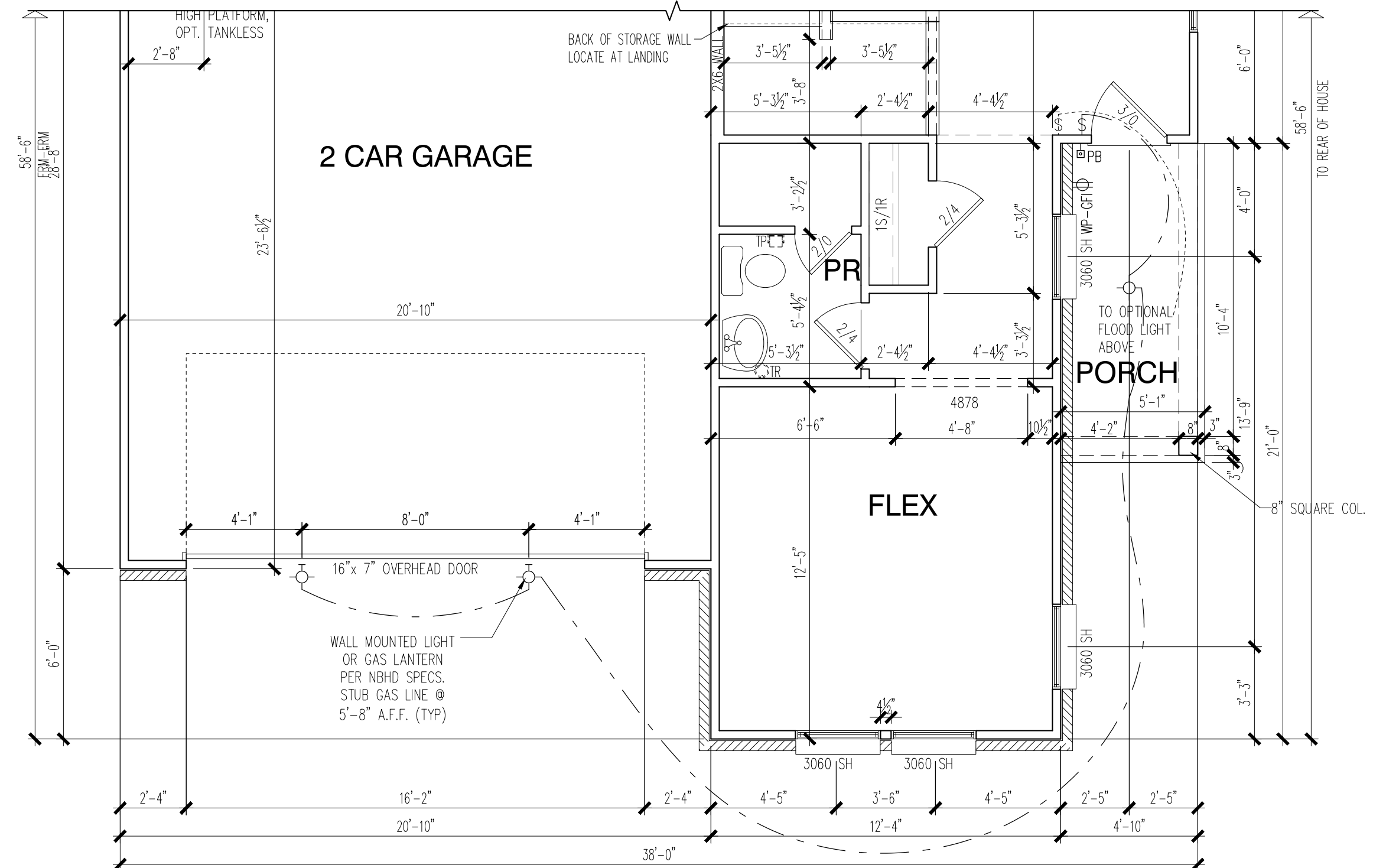
PARTIAL RIGHT SIDE ELEVATION

SCALE: 1/4" = 1'-0"



PARTIAL SECOND FLOOR PLAN

SCALE: 1/4" = 1'-0"



PARTIAL FIRST FLOOR PLAN

SCALE: 1/4" = 1'-0"

The LEYTON
FRONT ELEVATION 4

PRODUCT MANAGER	
INITIAL RELEASE DATE:	
REV#	DATE/DESCRIPTION

PROJECT TYPE
Single Family

PLAN NAME
LEYTON

SHEET
3.40