

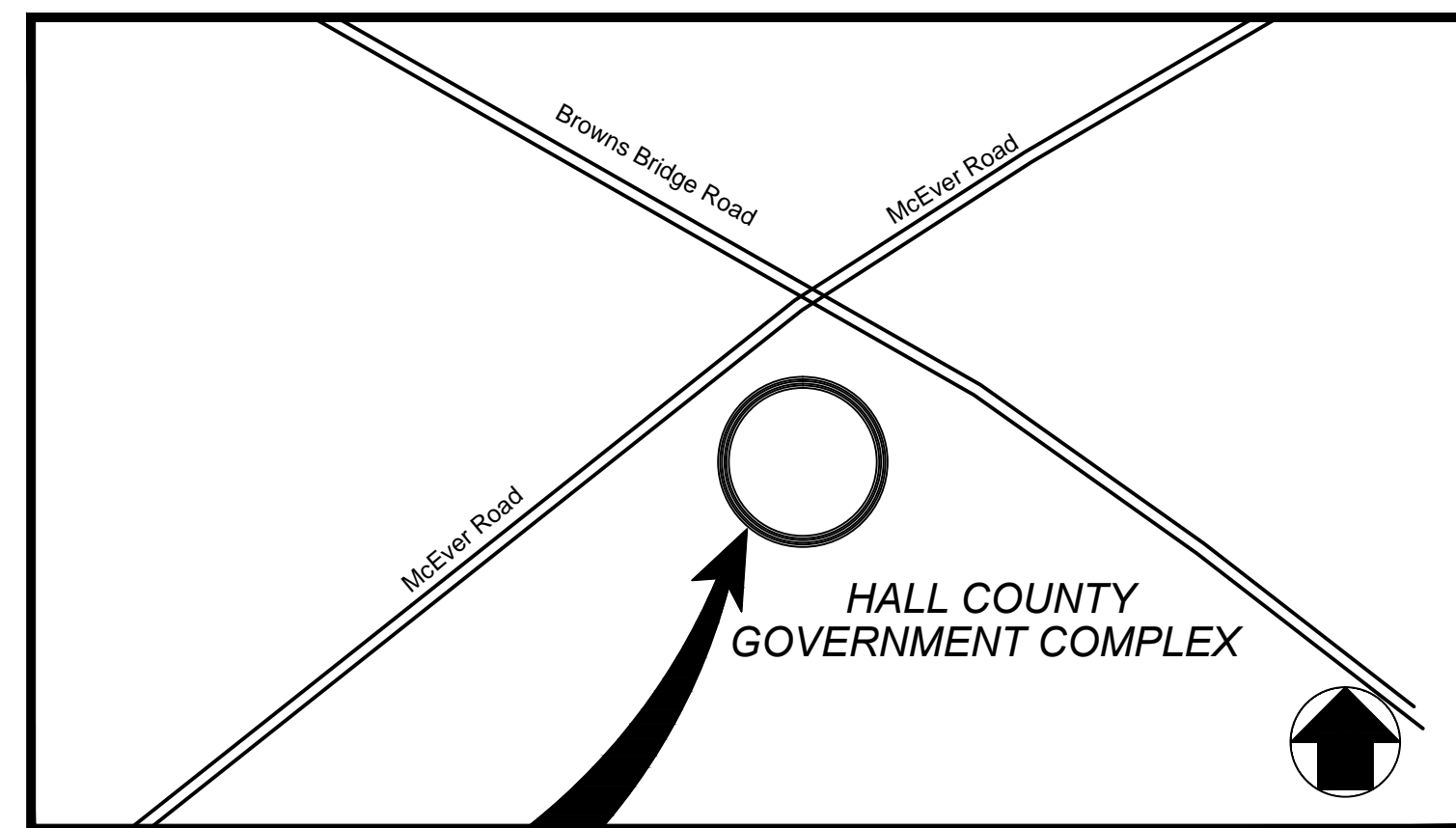
CONSTRUCTION PLANS FOR SHERIFFS COMPLEX DRIVEWAY

LOCATED IN HALL COUNTY, GEORGIA
4th. DISTRICT

CONSTRUCTION GENERAL NOTES:

THE CONTRACTOR IS RESPONSIBLE FOR MAINTAINING THE ENTIRE CONSTRUCTION LIMITS DURING CONSTRUCTION. A PRECONSTRUCTION MEETING IS REQUIRED PRIOR TO COMMENCEMENT OF CONSTRUCTION.

1. TOTAL DISTURBED AREA: 0.47 ACRES.
2. TOTAL PROPOSED IMPERVIOUS AREA: 0.70 ACRES
3. CONTRACTOR SHALL STORE ALL EQUIPMENT AND MATERIAL IN A LOCATION CLEAR OF TRAFFIC AND APPROVED BY HALL COUNTY.
4. CONTRACTOR SHALL MAINTAIN TRAFFIC AT ALL TIMES. ANY DETOURS OR ROAD CLOSURES SHALL BE APPROVED BY HALL COUNTY TRAFFIC ENGINEER AND SHALL MEET THE MANUAL OF UNIFORM TRAFFIC CONTROL DEVICES (MUTCD).
5. ALL ROADWAY SUBGRADE AND BASE SHALL BE COMPACTED TO 98% STANDARD PROCTOR. HALL COUNTY INSPECTOR MAY REQUIRE "ROLL TESTS" AS DEEMED NECESSARY USING A 20 TO 30 TON OR OTHER SIMILAR VEHICLE.
6. WHEN SITE IS APPROVED BY HALL COUNTY ENGINEERING, THE SITE SHALL BE CLEAN AND NEAT CONDITION. ALL DEBRIS, VEGETATION AND SPOILS SHALL BE REMOVED.
7. NO PART OF THE PROJECT SITE IS LOCATED WITHIN 1 MILE OF AN IMPAIRED STREAM.
8. THERE ARE NO STATE WATERS REQUIRING A 50' OR 100' UNDISTURBED BUFFER ON THE SITE OR WITHIN 200 FEET OF THE SITE.
9. NO PART OF THE SITE IS LOCATED IN THE 100 YEAR FLOOD PLAIN PER HALL COUNTY FUTURE FLOOD ZONE
10. ALL EXISTING PARKING LOT STRIPING THAT NEEDS TO BE REMOVED SHALL BE PAINTED WITH BLACK TRAFFIC PAINT. ALL NEW STRIPING SHALL BE 4" STANDARD TRAFFIC PAINT.



SITE

LOCATION MAP

N.T.S.
LAT. 34.277324° N
LONG. - 83.87699° W

DRAWING INDEX

SHEET	DESCRIPTION
C-1	COVER SHEET/GENERAL NOTES
C-2	PLAN AND PROFILE SHEET
C-3	GRADING/DRAINAGE PLAN
C-4	DETAILS
C-5	DETAILS

HALL COUNTY CONTACT:
FRANK MILLER
770-531-6800

24 HR CONTACT:
FRANK MILLER
770-531-6800

CONTACTS

OWNER:

HALL COUNTY BOARD OF COMMISSIONERS
2875 BROWNS BRIDGE ROAD
GAINESVILLE, GEORGIA 30503

CIVIL ENGINEER:

HALL COUNTY OF PUBLIC WORKS
ENGINEERING DIVISION
2875 BROWNS BRIDGE ROAD
GAINESVILLE, GEORGIA 30503
CONTACT: FRANKLIN P. MILLER, P.E.
770-531-6800

ENGINEERING DIVISION
HALL COUNTY DEPARTMENT
OF PUBLIC WORKS
P.O. DRAWER 1435
GAINESVILLE, GA 30503
Phone: 770-531-6800 Fax: 770-531-3945



COVER SHEET
SHERIFFS COMPLEX DRIVEWAY
IMPROVEMENT
HALL COUNTY, GEORGIA

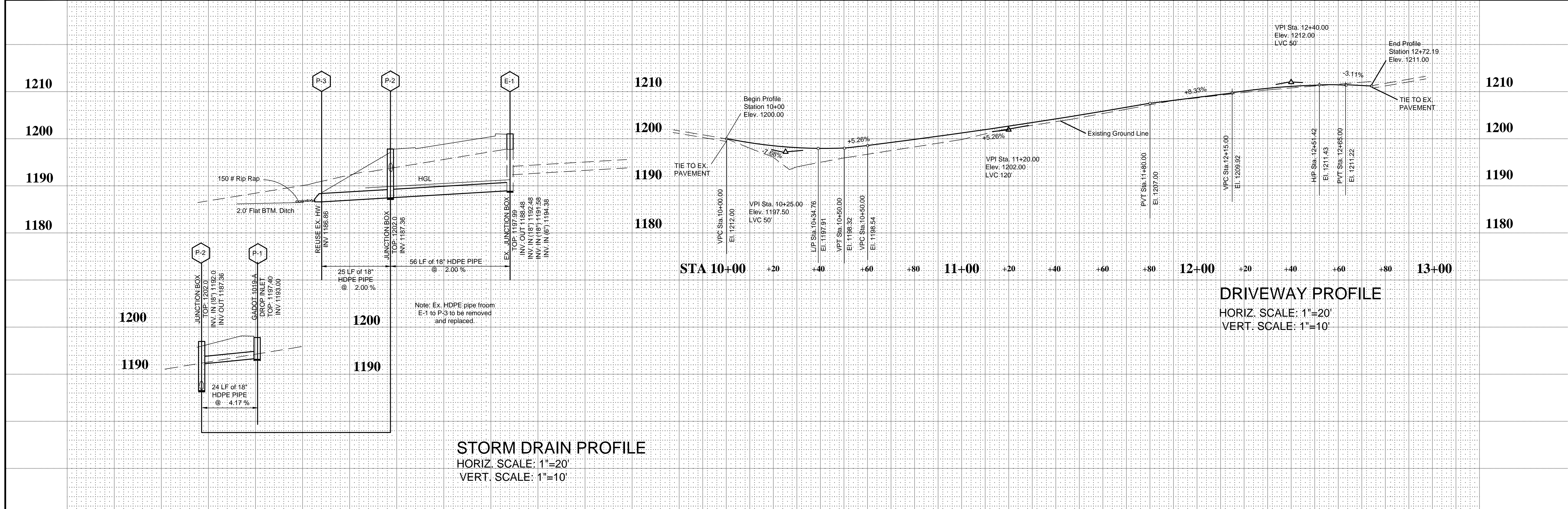
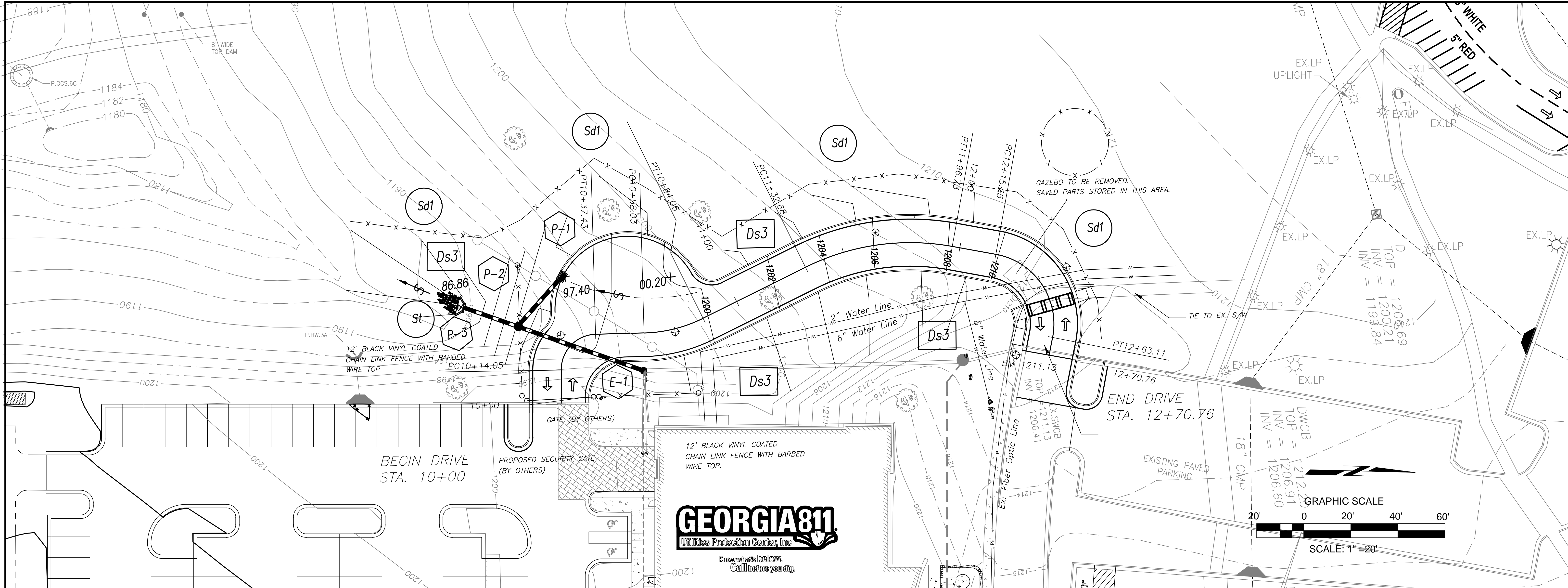
NO.	REVISION	DATE
1.	Issued for Construction	9/28/23
2.	Revised Plans	3/13/24

DRAWN BY: F. MILLER
CHECKED BY:
DATE:



LEVEL II E&S CERT. # 13711
EXP. DATE 07-19-2024





STORM DRAIN PROFILE
 HORIZ. SCALE: 1"=20'
 VERT. SCALE: 1"=10'

DRIVEWAY PROFILE
 HORIZ. SCALE: 1"=20'
 VERT. SCALE: 1"=10'



ENGINEERING DIVISION
HALL COUNTY DEPARTMENT
OF PUBLIC WORKS
 P. O. DRAWER 1435
 GAINESVILLE, GA 30503
 Phone: 770-531-6800 Fax: 770-531-3945



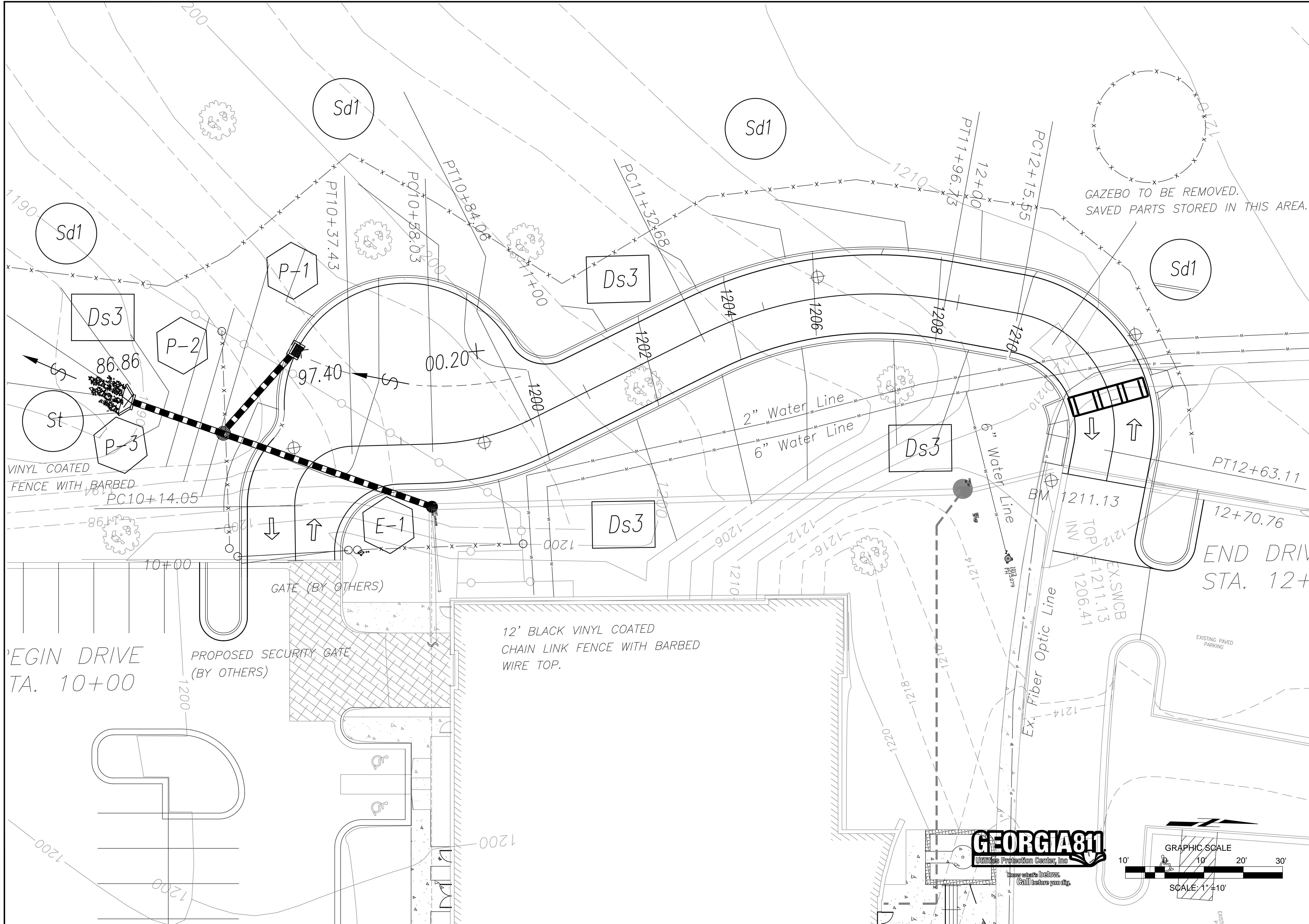
PLAN & PROFILE
SHERIFF COMPLEX DRIVEWAY
IMPROVEMENTS
HALL COUNTY

NO.	REVISION	DATE
1	ISSUED FOR CONSTRUCTION	1/17/2024
2	EROS. CONTROL ADDED	3/13/2024

DRAWN BY: F. MILLER
 CHECKED BY: WWH
 DATE:



LEVEL II E&S CERT. # 13711
 EXP. DATE 07-19-2024



ENGINEERING DIVISION
 HALL COUNTY DEPARTMENT
 OF PUBLIC WORKS
 P. O. DRAWER 1435
 GAINESVILLE, GA 30503
 Phone: 770-531-6800 Fax: 770-531-3945



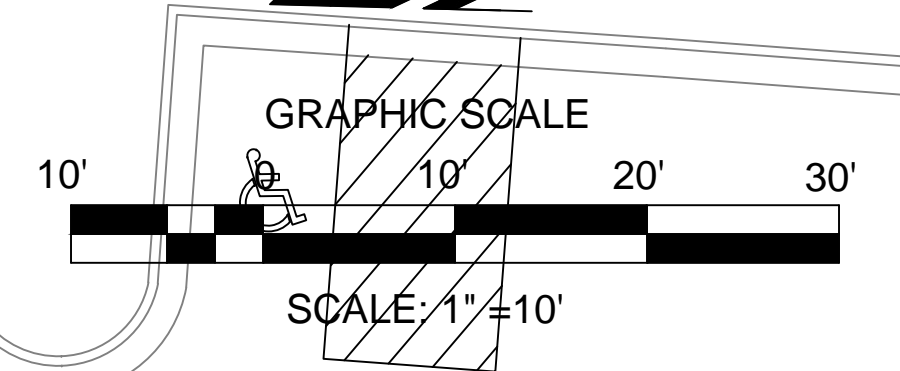
GRADING & DRAINAGE PLAN
 SHERIFF COMPLEX DRIVEWAY
 IMPROVEMENTS
 HALL COUNTY

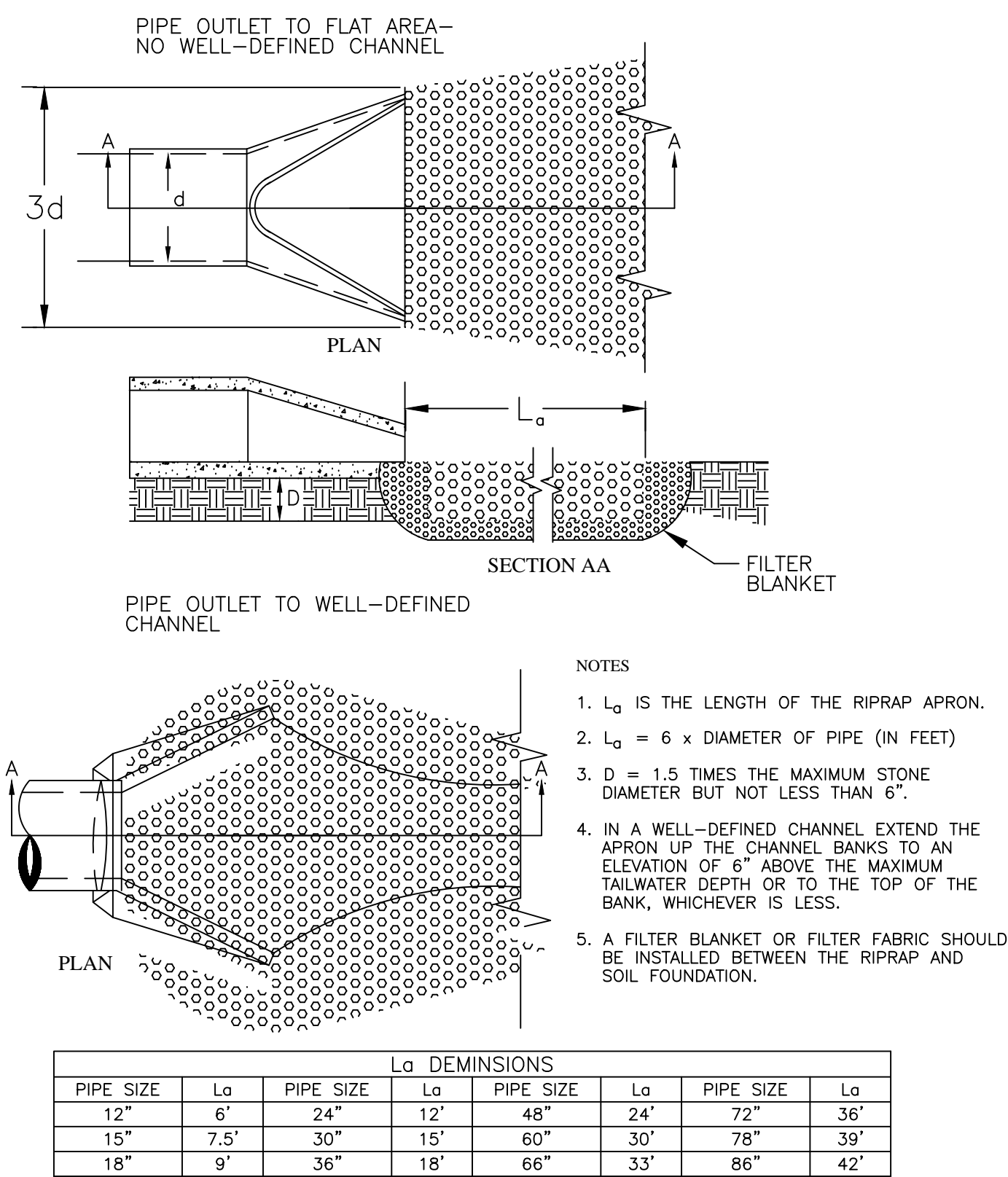
NO.	REVISION	DATE
1	ISSUED FOR CONSTRUCTION	1/17/2023
2	EROS CONTROL ADDED/GAZEBO	3/13/2024

DRAWN BY: F. MILLER
 CHECKED BY: WWH
 DATE:



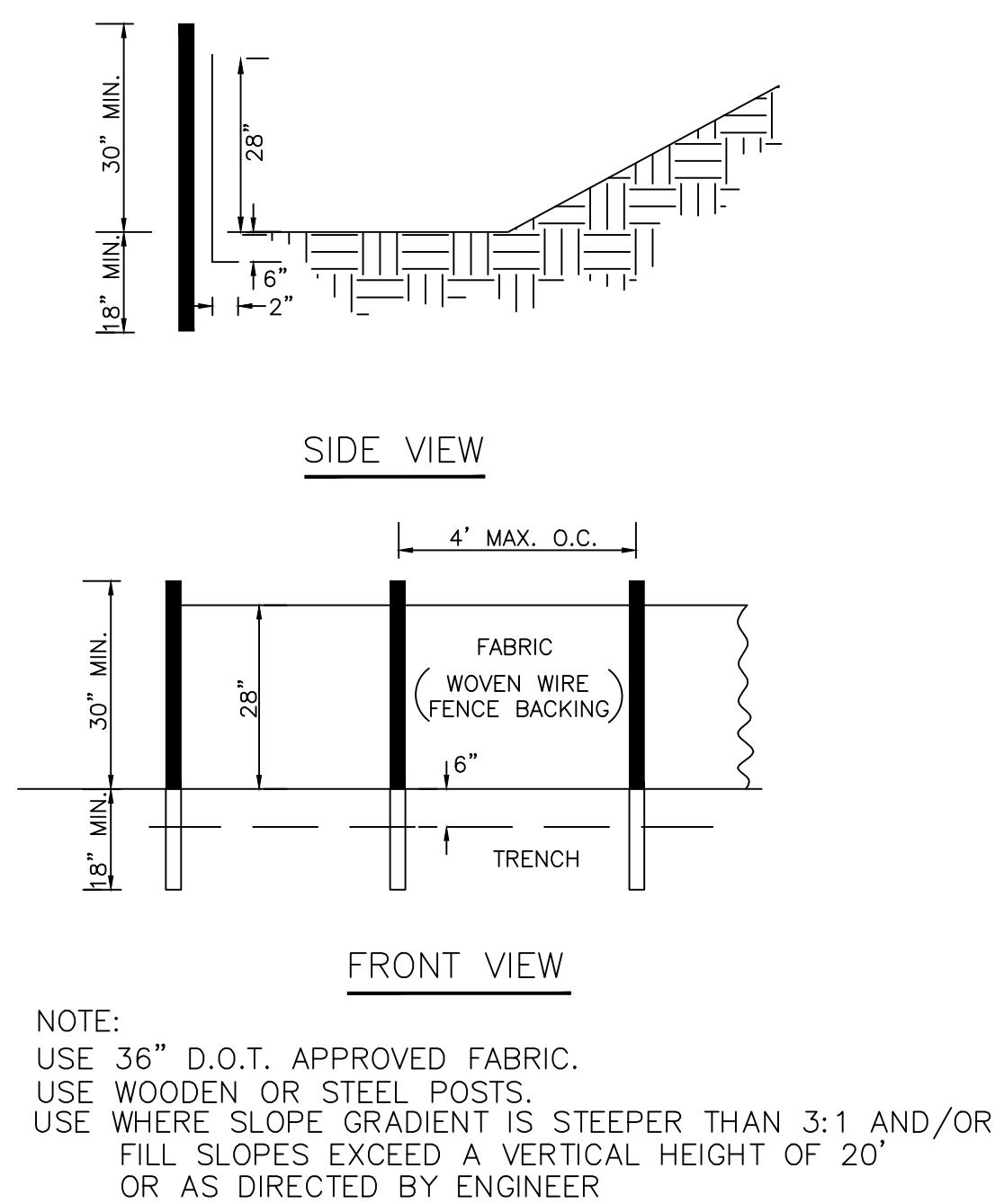
LEVEL II E&S CERT. # 13711
 EXP. DATE 07-19-2024
C-3





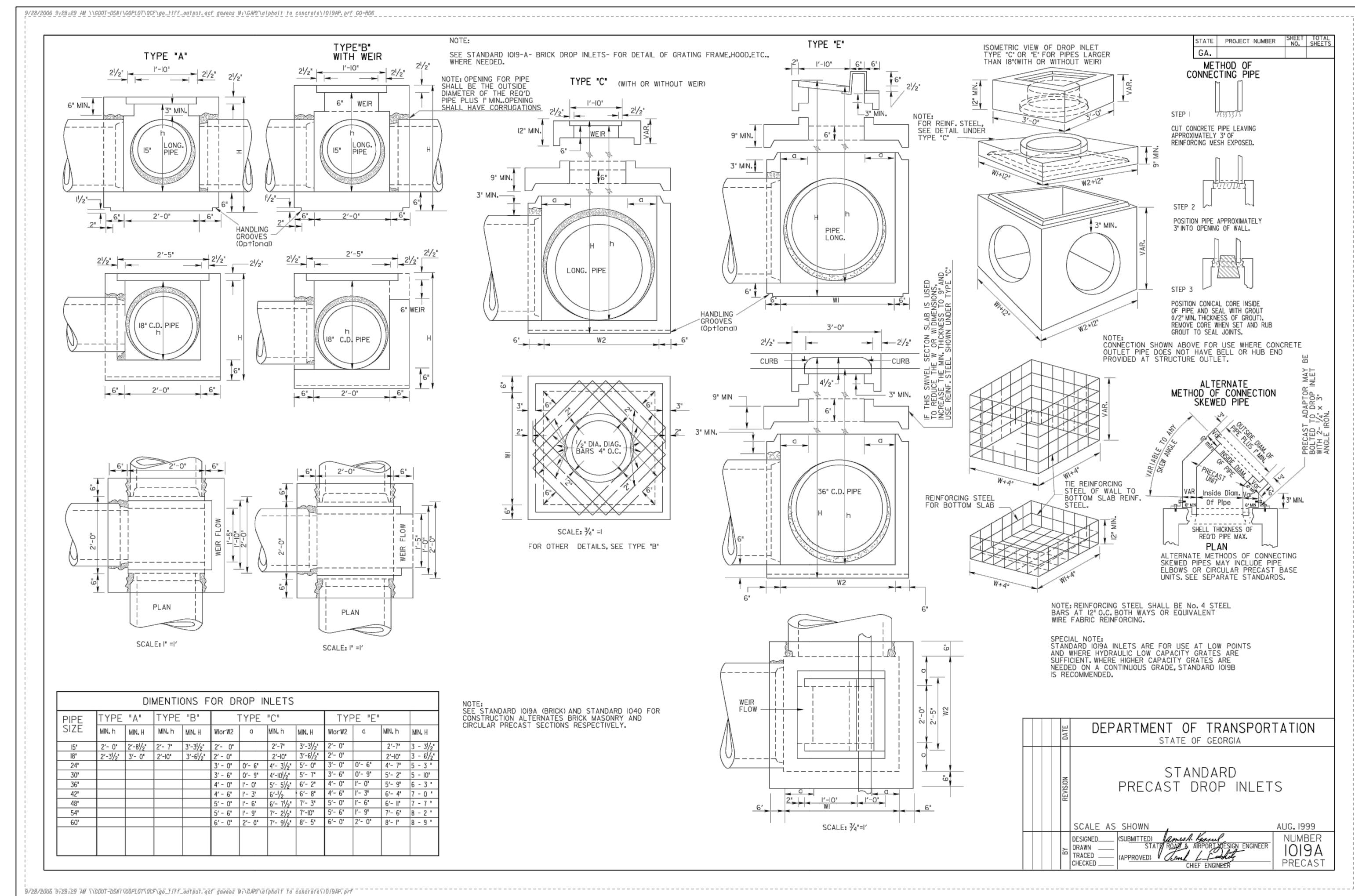
STORM DRAIN OUTLET PROTECTION

Sd



SILT FENCE-TYPE C

Sd1



Ds1 CRITICAL AREA VEGETATIVE PLAN GENERAL

Ds2 CRITICAL AREA VEGETATIVE PLAN GENERAL

Ds3 CRITICAL AREA VEGETATIVE PLAN GENERAL

Annual ryegrass at 40lbs/acre with 500 lbs/acre of 10-10-10 Planting dates: 9/1 - 3/1

Annual ryegrass at 40lbs/acre with 500 lbs/acre of 10-10-10 Planting dates: 9/1 - 3/1

Annual ryegrass at 40lbs/acre with 500 lbs/acre of 10-10-10 Planting dates: 9/1 - 3/1

This vegetative plan will be carried out on road cut and fill construction. Seeding will be done as soon as construction in an area is completed. Plantings will be made to control erosion, to reduce damages from sediment and runoff to downstream areas and to improve the safety and beauty of the development area.

SOIL CONDITIONS

Due to grading and construction, the areas to be treated are mainly subsoil and substrate. Fertility is low and the physical characteristics of the exposed material are unfavorable to all but the most hardy plants.

TREATMENT SPECIFICATIONS

Hydraulic Seeding Equipment

When hydraulic seeding and fertilizing equipment is used, no grading and shaping or seedbed preparation will be required. The fertilizer, seed and wood cellulose fiber mulch will be mixed with water and applied in a slurry. All slurry ingredients must be combined to form a homogeneous mixture, and spread uniformly over the area within one hour after mixture is made. Straw or hay mulch and asphalt emulsion will be applied with blower-type mulch spreading equipment within 24 hours after seeding. The mulch will be spread uniformly over the area, leaving about 25 percent of the ground surface exposed. The per acre application rates are as follows:

A. Seeding with mulch: (Hydraulic seeding equipment on slopes 3:1 and steeper)

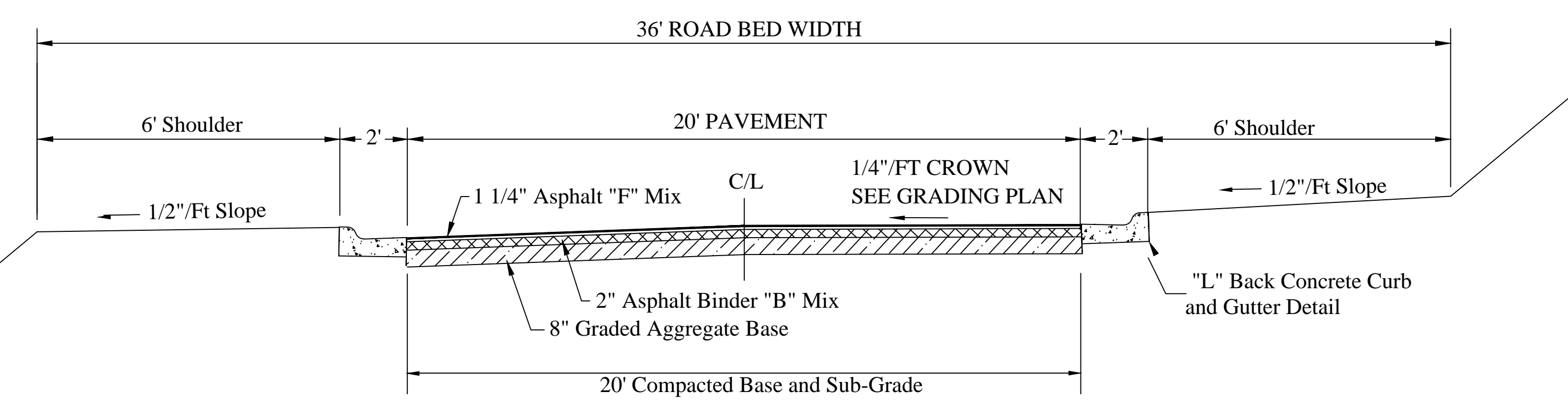
Agricultural Limestone #75	4000 lbs./acre
Fertilizer, 5-10-5	1800 lbs./acre
Mulch (straw or hay) OR Wood Cellulose Fiber Mulch	5000 lbs./acre
	1000 lbs./acre

Seed Species	Application Rate/Acre	Planting Dates
Sericea lespedeza, scarified	60 lbs.	3/1 - 6/15
Weeping lovegrass OR Common bermuda, hulled	4 lbs.	
	6 lbs.	
Fescue	50 lbs.	9/1 - 10/31
Sericea lespedeza, unscarified	60 lbs.	
Hay mulch for temporary cover	5000 lbs.	6/15 - 8/31
RYEGRASS, ANNUAL	168 lbs.	8/1 - 4/15

B. Topdressing: Apply when plants are 2 to 4 inches tall

Fertilizer (Ammonium Nitrat®) 33.5 300 lbs./acre

C. Second-Year Fertilizer: (0-20-20 or equivalent) 500 lbs./acre



- NOTES:
- Maximum Cut or Fill Slope is 2H:1V
 - Subgrade Compaction Minimum 98%
 - Clearing Required to Top or Toe of Slope
Trees within one foot of fill or less may remain. See Section 16.70.170 for details
 - Prime Between GAB and Asphalt Binder
 - Tack Between Asphalt Binder and "F" Mix

NOT TO SCALE

ENGINEERING DIVISION
HALL COUNTY DEPARTMENT OF PUBLIC WORKS
P.O. DRAWER 1435
GAINESVILLE, GA 30603
Phone: 770-531-6800 Fax: 770-531-3945

HALL COUNTY
We have it all in Hall

DETAILS
SHERIFFS COMPLE DRIVEWAY IMPROVEMENTS
HALL COUNTY, GEORGIA

NO.	REVISION	DATE
1.	Issued for Construction	2/28/23
2.	Revised	3/13/24

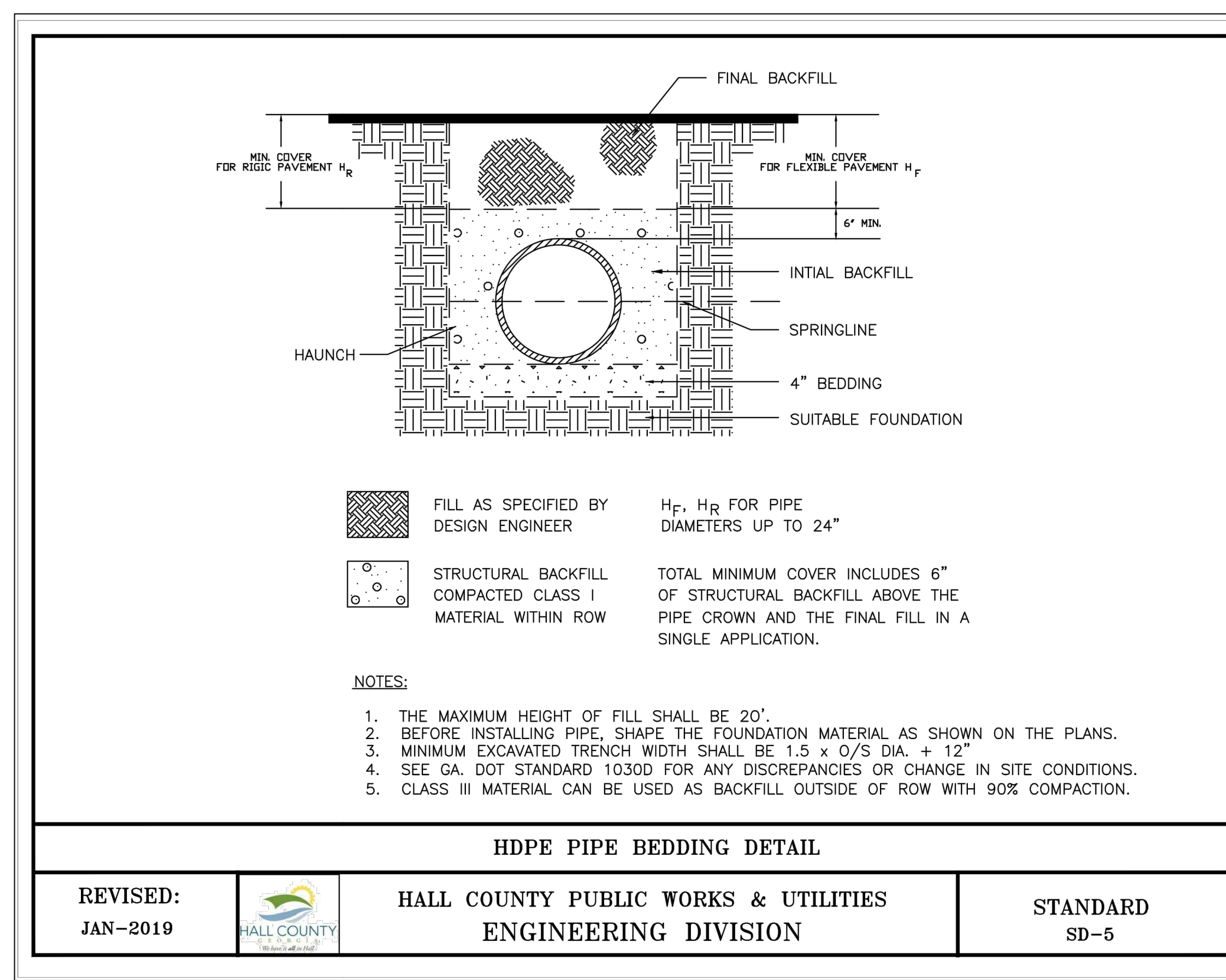
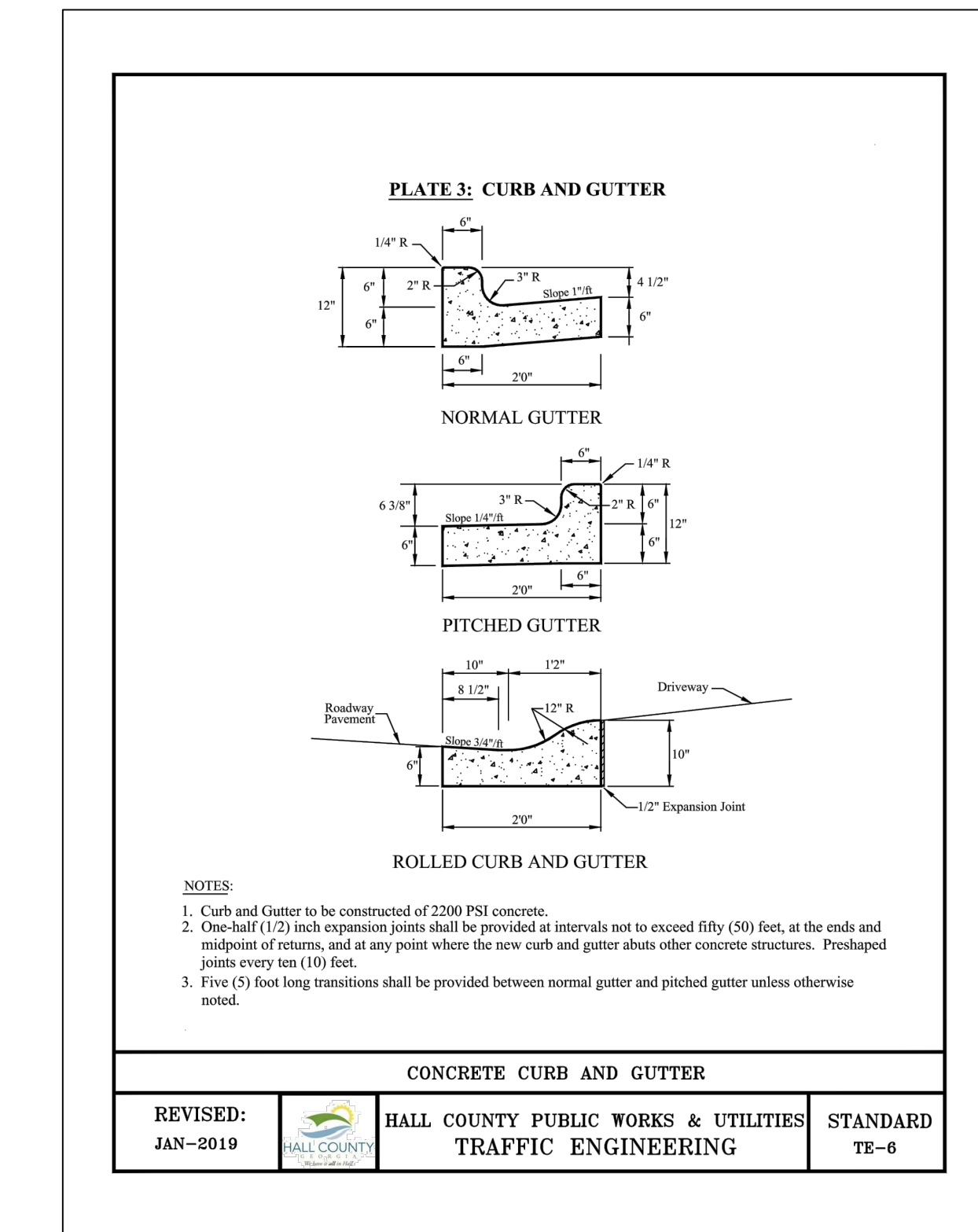
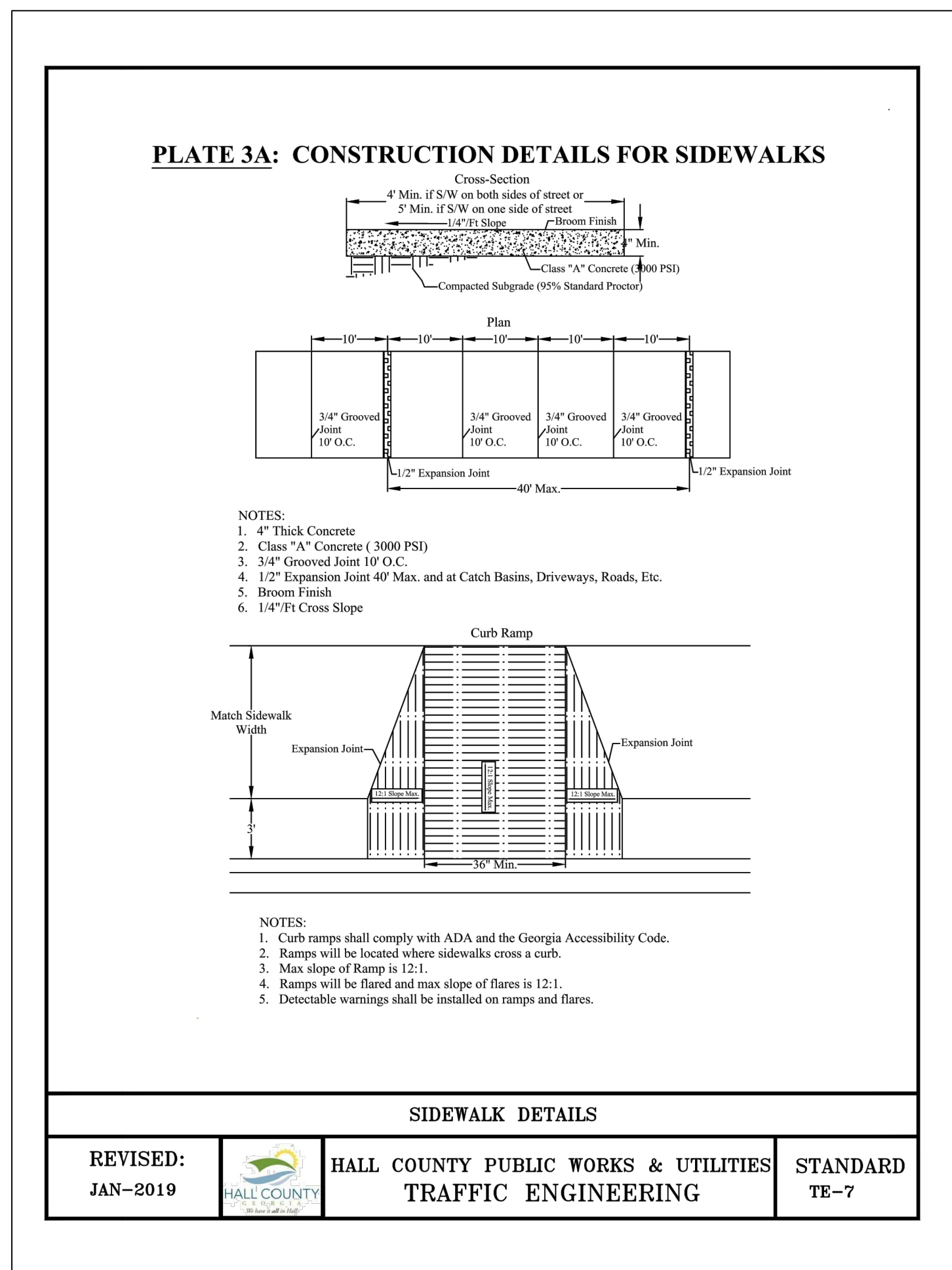
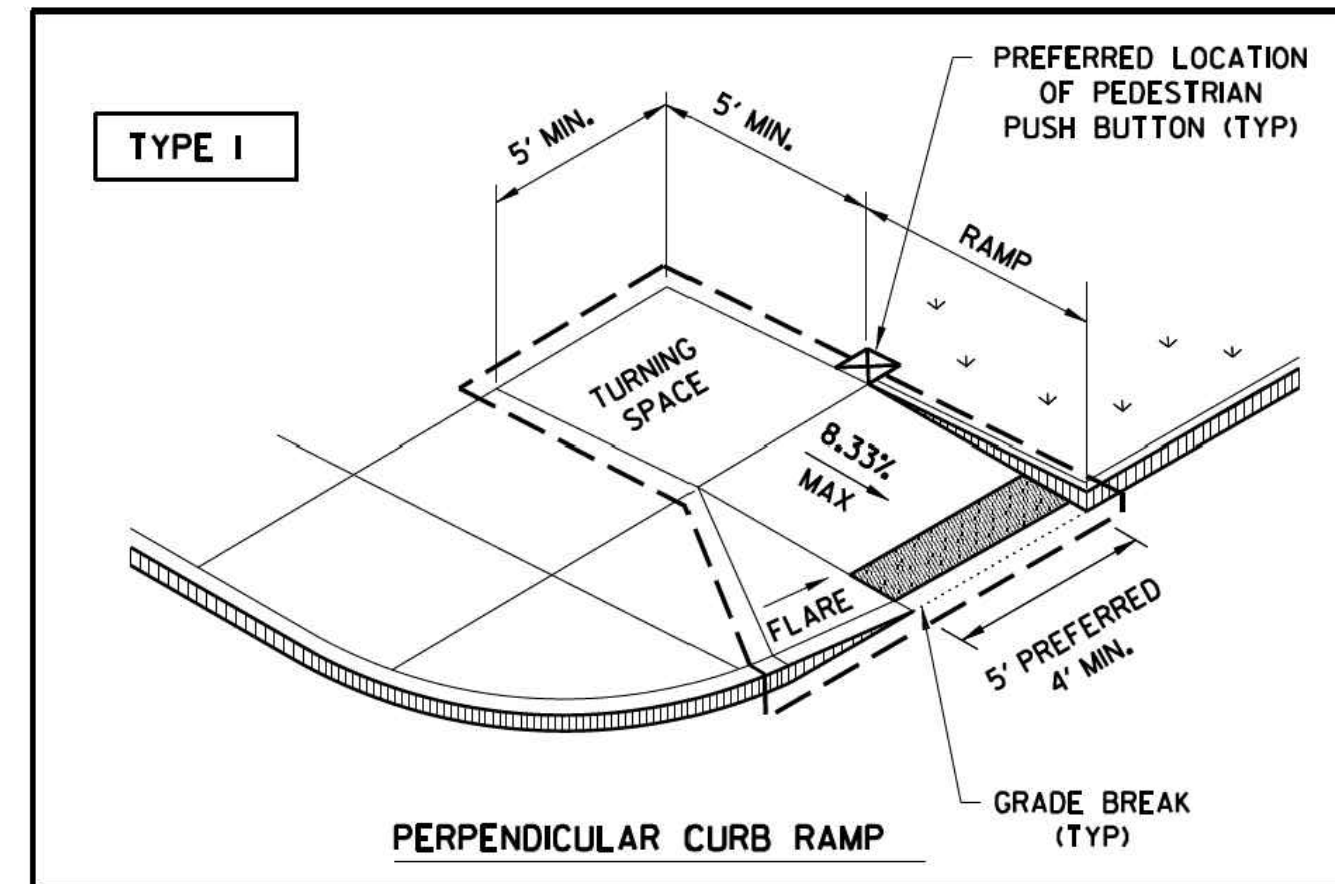
DRAWN BY: F. MILLER
CHECKED BY:
DATE:

GEORGIA REGISTERED PROFESSIONAL ENGINEER
FRANKLIN P. MILLER

LEVEL # E&S CERT. # 13711
EXP. DATE 07-19-2024

GEORGIA811
Utilities Protection Center, Inc.
Know what's below. Call before you dig.

C-4



ENGINEERING DIVISION
HALL COUNTY DEPARTMENT
OF PUBLIC WORKS
 P.O. DRAWER 1435
 GAINESVILLE, GA 30503
 Phone: 770-531-6800 Fax: 770-531-3945



DETAILS
SHERIFFS COMPLE DRIVEWAY
IMPROVEMENTS
HALL COUNTY, GEORGIA

NO.	REVISION	DATE
1.	Issued for Construction	2/28/23
2.	Revised/Added Details	3/13/24

DRAWN BY: F. MILLER
 CHECKED BY:
 DATE:



LEVEL II E&S CERT. # 13711
 EXP. DATE 07-19-2024

C-5

