

BUILDING PROFILE

Table with dimensions: Width (ft) = 60, Eave Height (ft) = 20, Length (ft) = 100, Roof Slope (Rise/12) = 1.0:12. Includes section markers A and B.

BUILDING LOADS

A) THIS IS TO CERTIFY THAT THIS STRUCTURE IS DESIGNED UTILIZING THE LOADS INDICATED AND APPLIED AS REQUIRED BY CODE 24 / IBC 16. B) THIS CERTIFICATION IS LIMITED TO THE STRUCTURAL DESIGN OF THE FRAMING AND COVERING PARTS MANUFACTURED BY THE BUILDING MANUFACTURER AND AS SPECIFIED IN THE CONTRACT.

Table with occupancy/risk category, wind load, closure type, ground snow load, roof live load, dead load, seismic, and spectral response.

RESPONSE MODIFICATION FACTOR, R = 3.000. BASIC SEISMIC FORCE RESISTING SYSTEM (LATERAL DIRECTIONS) = ORDINARY STEEL MOMENT FRAMES. BASIC SEISMIC FORCE RESISTING SYSTEM (ENDWALLS) = ORDINARY STEEL CONCENTRICALLY BRACED FRAMES.

SERVICEABILITY CRITERIA

Table with minimum design deflections: Endwall Column, Endwall Rafter (Live), Endwall Rafter (Wind), Wall Clr, Roof Purfin (Live), Roof Purfin (Wind), Wall Panel.

GENERAL NOTES

- 1) THE STRUCTURE UNDER THIS CONTRACT HAS BEEN DESIGNED AND DETAILED FOR THE LOADS AND CONDITIONS STIPULATED IN THE CONTRACT AND SHOWN ON THESE DRAWINGS. ANY ALTERATIONS TO THE STRUCTURAL SYSTEM OR REMOVAL OF ANY COMPONENT PARTS, OR THE ADDITION OF OTHER CONSTRUCTION MATERIALS OR LOADS MUST BE DONE UNDER THE ADVICE AND DIRECTION OF A REGISTERED ARCHITECT, CIVIL OR STRUCTURAL ENGINEER.

- 10) SECONDARY MEMBERS AND FLANGE BRACE CONNECTIONS SHALL ALWAYS BE SNUG TIGHT, UNO. 11) ANCHOR BOLTS 3/4" IN DIAMETER THRU 1 1/4" IN DIAMETER CONFORM TO A.S.T.M. F1554 GR. 36. ANCHOR BOLTS 1/2" IN DIAMETER CONFORM TO A.S.T.M. A-307.

THE FOLLOWING CONDITIONS APPLY IN THE EVENT THAT THESE DRAWINGS ARE USED AS APPROVAL DRAWINGS:

- A) IT IS IMPERATIVE THAT ANY CHANGES TO THESE DRAWINGS: 1) BE MADE IN CONTRASTING INK. 2) HAVE ALL INSTANCES OF CHANGE CLEARLY INDICATED. 3) BE LEGIBLE AND UNAMBIGUOUS.

SAFETY COMMITMENT

- A) THE BUILDING MANUFACTURER HAS A COMMITMENT TO MANUFACTURE QUALITY BUILDING COMPONENTS THAT CAN BE SAFELY ERECTED. HOWEVER, THE SAFETY COMMITMENT AND JOB SITE PRACTICES OF THE ERECTOR ARE BEYOND THE CONTROL OF THE BUILDING MANUFACTURER.

- A) IT IS THE RESPONSIBILITY OF THE ERECTOR/CONTRACTOR TO INSURE THAT ALL PROJECT PLANS AND SPECIFICATIONS COMPLY WITH THE APPLICABLE REQUIREMENTS OF ANY GOVERNING BUILDING AUTHORITIES. THE SUPPLYING OF SEALED-ENGINEERING DATA AND DRAWINGS FOR THE METAL BUILDING SYSTEM DOES NOT IMPLY OR CONSTITUTE AN AGREEMENT THAT THE BUILDING MANUFACTURER OR ITS DESIGN ENGINEER IS ACTING AS THE ENGINEER OF RECORD OR DESIGN PROFESSIONAL FOR A CONSTRUCTION PROJECT.

IAS ACCREDITED Metal Building Systems AC 472. BUILDING DESIGNED & MANUFACTURED BY AN IAS ACCREDITED FACILITY.



DRAWING INDEX

Table with columns: REV., PAGE, DESCRIPTION. Includes items like COVER PAGE, ANCHOR BOLT LAYOUT, ANCHOR BOLT DETAILS, ANCHOR BOLT REACTIONS, ROOF FRAMING LAYOUT, RIGID FRAME CROSS SECTION, ENDWALL FRAMING LAYOUT, SIDEWALL FRAMING LAYOUT, FRAMING DETAILS, ROOF PANELS & TRIM, ROOF PANEL DETAILS, SIDEWALL PANEL DETAILS, ENDWALL PANEL DETAILS, SPECIAL DETAILS.

IT IS THE RESPONSIBILITY OF THE CUSTOMER TO PROVIDE ALL DOCUMENTATION REQUIRED FOR ANY ACCESSORIES NOT PROVIDED BY MBM TO THEIR LOCAL PERMITTING OFFICE. ALL ACCESSORIES MUST COMPLY AND MEET ALL DESIGN REQUIREMENTS PER LOCAL CODES.

ALL VEHICULAR FRAMED OPENINGS SUPPLIED ON THIS PROJECT HAVE BEEN DESIGNED TO SUPPORT WIND LOADS NORMAL TO A DOOR SYSTEM, BASED ON THE STANDARD BUILDING CODE CRITERIA. THE VEHICULAR FRAMED OPENING HAS NOT BEEN DESIGNED FOR ANY ADDITIONAL MOMENT OR CATERINARY FORCE FROM THE DOOR SYSTEM. ANY CHANGES TO THE INFORMATION SHOWN HERE WILL REQUIRE AN ENGINEERING INVESTIGATION AND POSSIBLE BUILDING REINFORCEMENT.

FRAMING COLORS

Table with framing colors: Rigid Frame, Flange brace, Angle, Girt, Purlin, Eave, Jamb, BB, Col, Endwall. Includes color codes like RO, RD, GR, GC.

WHEN GALVANIZED PROVIDED: ALL FINISHED PRIMARY BUILT-UP AND HOT ROLL MEMBERS ARE HOT DIPPED GALVANIZED. ALL SECONDARY COLD FORMED MEMBERS ARE PRE-GALVANIZED.

BUILDING CODE SPECIFICATIONS REQUIRE CONSIDERATION OF SNOW SURCHARGES FOR ANY LOWER ROOF OF A STRUCTURE LOCATED WITHIN 20% OF A HIGHER STRUCTURE. INFORMATION SUPPLIED TO THE METAL BUILDING SUPPLIER DOES NOT INDICATE PRESENCE OF A SHADOWING STRUCTURE WITHIN THIS 20% ENVELOPE, AND AS SUCH, SNOW SURCHARGES HAVE NOT BEEN CONSIDERED IN THE DESIGN OF THE BUILDING(S) SHOWN ON THESE PLANS.

THIS PROJECT IS DESIGNED AS AN ENCLOSED BUILDING. ACCESSORIES (DOORS, WINDOWS, ETC.) BY OTHERS MUST BE DESIGNED AS "COMPONENTS AND CLADDING" IN ACCORDANCE TO SPECIFIC WIND PROVISIONS OF REFERENCED BUILDING CODE.

FOR OCCUPANCY (RISK) CATEGORY I OR II, IBC PROVISIONS INDICATE THAT SINGLE-STORY BUILDINGS SHALL HAVE "NO DRIFT LIMIT" PROVIDED THAT INTERIOR WALLS, PARTITIONS, CEILING AND EXTERIOR WALL SYSTEMS HAVE BEEN DESIGNED TO ACCOMMODATE THE SEISMIC STORY DRIFTS. INTERIOR WALLS, PARTITIONS, CEILING OR EXTERIOR SYSTEMS NOT PROVIDED BY MBM SHALL BE DESIGNED AND DETAILED BY OTHERS TO ACCOMMODATE THE SEISMIC STORY DRIFTS.



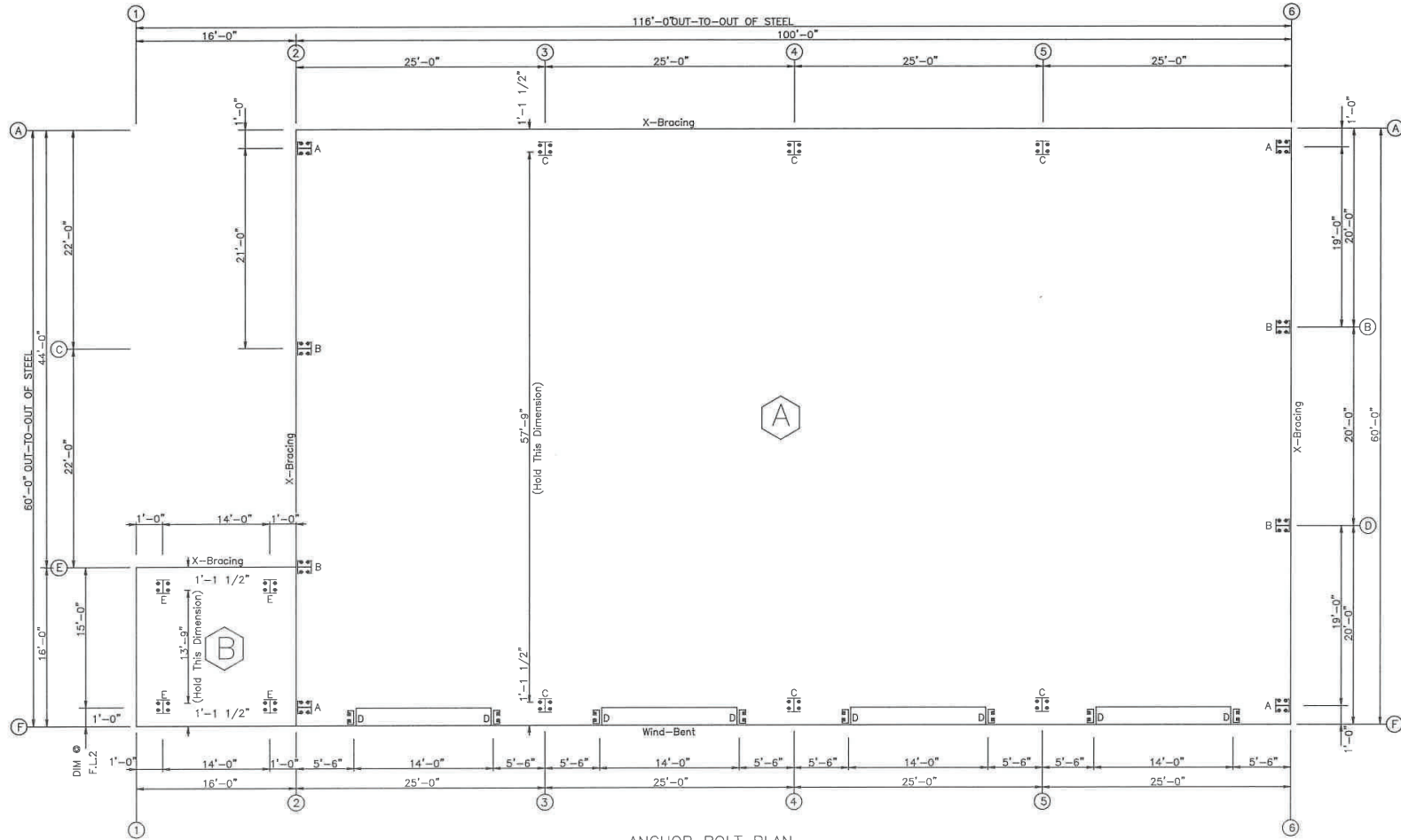
Table with colors: ROOF: GALVALUME, WALLS: ASH GRAY, CABLE: CHARCOAL GRAY, EAVE: CHARCOAL GRAY, CORNER: ASH GRAY, FRAMED OPENINGS: CHARCOAL GRAY, GUTTER: CHARCOAL GRAY, DOWNSPOUTS: CHARCOAL GRAY, BASE: BURNISHED SLATE.

DRAWING STATUS

FOR APPROVAL: THESE DRAWINGS, BEING FOR APPROVAL, ARE BY DEFINITION NOT FINAL, AND ARE FOR CONCEPTUAL REPRESENTATION ONLY. THEIR PURPOSE IS TO CONFIRM PROPER INTERPRETATION OF THE PROJECT DOCUMENTS. ONLY DRAWINGS ISSUED "FOR CONSTRUCTION" CAN BE CONSIDERED AS COMPLETE. FOR PERMIT: THESE DRAWINGS, BEING FOR PERMIT, ARE BY DEFINITION NOT FINAL IN THAT AS A MINIMUM, PIECE MARKINGS ARE NOT IDENTIFIED. ONLY DRAWINGS ISSUED "FOR CONSTRUCTION" CAN BE CONSIDERED AS COMPLETE. FOR CONSTRUCTION: THESE DRAWINGS ARE FINAL AND ISSUED FOR FIELD USE FOR BUILDING ERECTION.

Job information: JOB NO: 8452, DATE: 2/2/24, BY: CTW, SCALE: NONE, TITLE: COVER PAGE, NUMBER: 0. FROM: DCI METAL BUILDINGS, 908 PINE ST., GAINESVILLE, GA 30501. TO: PADEN DUNAGAN, 2010 CANDLER ROAD, GAINESVILLE, GA 30501. JOBSITE: GAINESVILLE, GA 30501. Item 7, PAGE 0.

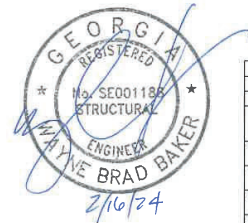
⊗ Dia = 5/8"
 ⊕ Dia = 3/4"



ANCHOR BOLT PLAN
 NOTE: All Base Plates @ 100'-0" (Unless Noted)

NOTE: ALL FIELD LOCATED FRAMED OPENING LOCATIONS SHALL BE AT THE DISCRETION OF THE ERECTOR/CUSTOMER. IT IS RECOMMENDED THAT THESE ANCHORS BE LOCATED AT TIME OF ERECTION.

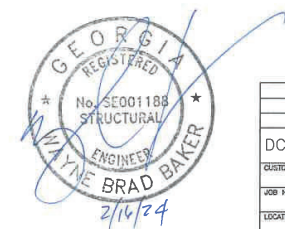
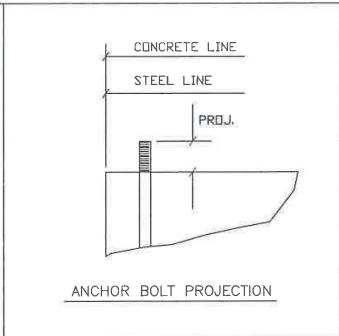
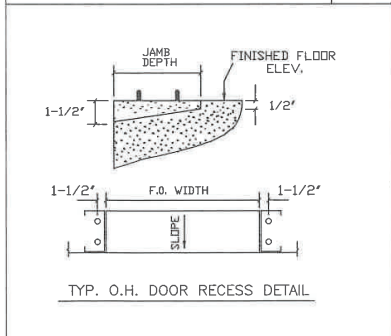
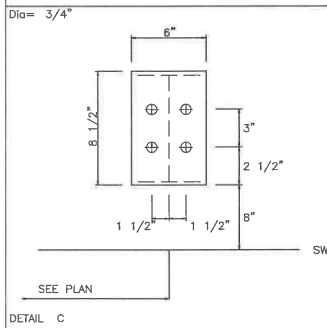
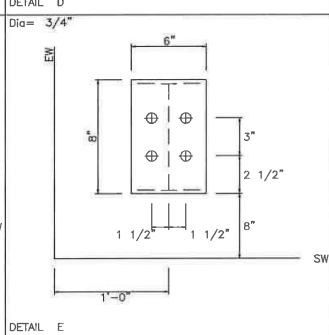
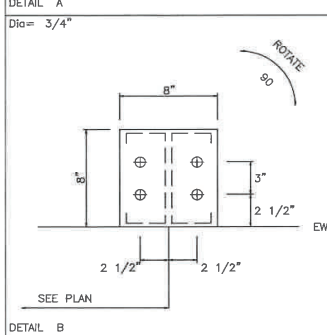
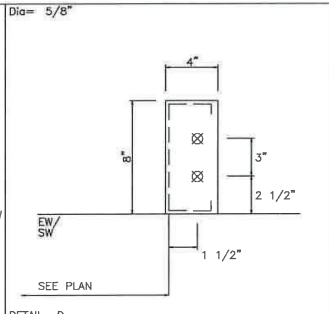
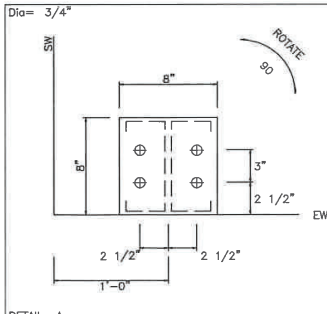
FIELD LOCATE:
 (3) 3070 WALKDOORS
 (2) 3'-0" x 5'-0" FRAMED OPENING



HORNET STEEL BUILDINGS, INC.		DRAWING NO.		CHECKED BY:		SCALE:	
GA. CORP. # FT000160		PAGE 1		CTW		NONE	
EXPIRES: 06/30/2024							

ISSUE	DET	CHK	DATE
DCI METAL BUILDINGS			
CUSTOMER: PADEN DUNAGAN			
JOB NO: 8452	DATE: 2/5/24		
LOCATION: GAINESVILLE, GA 30501			
DRAWING NAME: ANCHOR BOLT LAYOUT			

10.21.2024 - Item 7

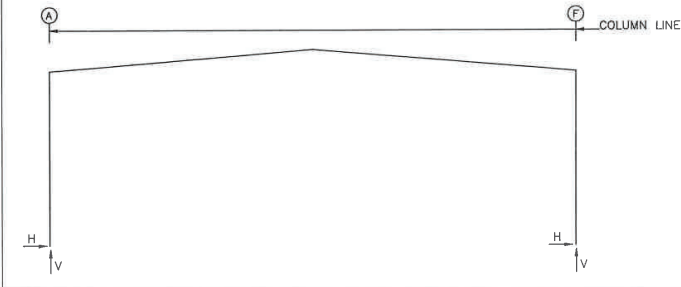


ISSUE	DET	CHK	DATE
DCI METAL BUILDINGS			
CUSTOMER: PADEN DUNAGAN			
JOB NO: 8452	DATE: 2/ 5/24		
LOCATION: GAINESVILLE, GA 30501			
DRAWING NAME: ANCHOR BOLT DETAILS			
DRAWING NO: PAGE 1.1	DRAWN BY: CTW	CHECKED BY: SPW	SCALE: NONE

10.21.2024 - Item 7

HORNET STEEL BUILDINGS, INC.
GA COMP. PER000160
EXPIRES: 04/04/2024

FRAME LINES: 3 4 5



RIGID FRAME: ANCHOR BOLTS & BASE PLATES

Frm Line	Col Line	Anc. Bolt Qty	Bolt Dia	Base Plate Width	Base Plate Length	Base Plate Thick	Grout (in)
3*	A	4	0.750	6.000	8.500	0.375	0.0
3*	F	4	0.750	6.000	8.500	0.375	0.0

3* Frame lines: 3 4 5

ENDWALL COLUMN: ANCHOR BOLTS & BASE PLATES

Frm Line	Col Line	Anc. Bolt Qty	Bolt Dia	Base Plate Width	Base Plate Length	Base Plate Thick	Grout (in)
2	A	4	0.750	8.000	8.000	0.375	0.0
2	C	4	0.750	8.000	8.000	0.375	0.0
2	E	4	0.750	8.000	8.000	0.375	0.0
2	F	4	0.750	8.000	8.000	0.375	0.0
6	F	4	0.750	8.000	8.000	0.375	0.0
6	D	4	0.750	8.000	8.000	0.375	0.0
6	B	4	0.750	8.000	8.000	0.375	0.0
6	A	4	0.750	8.000	8.000	0.375	0.0

NOTES FOR REACTIONS

Building reactions are based on the following building data:

Width (ft)	=	60.0
Length (ft)	=	100.0
Eave Height (ft)	=	20.0/ 20.0
Roof Slope (Rise/12)	=	1.0/ 1.0
Dead Load (psf)	=	2.0
Collateral Load (psf)	=	3.0
Roof Live Load (psf)	=	20.0
Frame Live Load (psf)	=	12.0
Snow Load (psf)	=	3.5
Wind Speed (mph)	=	110.0
Wind Code	=	GSBC 24 (IBC 18)
Exposure	=	B
Closure	=	Enclosed
Importance Wind	=	1.00
Importance Seismic	=	1.00
Seismic Zone	=	C
Seismic Coeff (Fa/Ss)	=	0.34

BUILDING BRACING REACTIONS

—Wall— Loc	Col Line	± Reactions (k)				Panel Shear (lb/ft)		Note
		—Wind— Horz	—Wind— Vert	—Seismic— Horz	—Seismic— Vert	Wind	Seis	
L_EW	2	C,E	2.3	2.1	0.5	0.9		(b)
F_SW	F	3,4	2.6	3.7	0.9	1.3		
R_EW	6	D,B	2.3	2.3	0.5	0.5		
B_SW	A	4,3	5.1	3.7	1.8	1.3		

(b) Wind bent in bay, base above finish floor

Reactions for seismic represent shear force, Hh

RIGID FRAME: BASIC COLUMN REACTIONS (k)

Frame Line	Column Line	Dead Horiz	Dead Vert	Collateral Horiz	Collateral Vert	Live Horiz	Live Vert	Snow Horiz	Snow Vert	Wind Left1 Horiz	Wind Left1 Vert	Wind Right1 Horiz	Wind Right1 Vert
3*	A	1.1	2.3	1.3	2.3	5.2	9.0	1.5	2.6	-8.8	-11.9	-0.4	-6.9
3*	F	-1.1	2.3	-1.3	2.3	-5.2	9.0	-1.5	2.6	0.4	-6.9	8.8	-11.9

Frame Line	Column Line	Wind Left2 Horiz	Wind Left2 Vert	Wind Right2 Horiz	Wind Right2 Vert	Seismic Left Horiz	Seismic Left Vert	Seismic Right Horiz	Seismic Right Vert
3*	A	-6.5	-7.1	0.1	-2.1	-2.4	-10.3	-2.8	-8.4
3*	F	-0.1	-2.1	8.5	-7.1	2.8	-8.4	2.4	-10.3

Frame Line	Column Line	MIN_SNOW Horiz	MIN_SNOW Vert	F1UNB_SL_L Horiz	F1UNB_SL_L Vert	F1UNB_SL_R Horiz	F1UNB_SL_R Vert
3*	A	2.2	3.7	1.6	2.9	1.6	1.7
3*	F	-2.2	3.7	-1.6	1.7	-1.6	2.9

ENDWALL COLUMN: BASIC COLUMN REACTIONS (k)

Frm Line	Col Line	Dead Vert	Collat Vert	Live Vert	Snow Vert	Wind Left1 Vert	Wind Right1 Vert	Wind Left2 Vert	Wind Right2 Vert	Wind Press Horiz	Wind Suct Horiz	Wind Long1 Vert	Wind Long2 Vert
2	A	0.4	0.3	2.3	0.4	-2.0	-1.3	-1.3	-0.5	-1.7	1.7	-2.2	-1.3
2	C	1.2	1.0	6.3	1.1	-5.4	-3.5	-3.7	-1.9	-3.5	3.5	-5.1	-3.5
2	E	0.9	0.8	5.1	0.9	-2.5	-4.7	-1.1	-3.3	-3.0	3.0	-2.5	-4.5
2	F	0.3	0.2	1.6	0.3	-1.0	-1.3	-0.4	-0.8	-1.2	1.2	-1.0	-1.5

Frm Line	Col Line	Seis Left Vert	Seis Right Vert	Seis Long Vert	MIN_SNOW Horiz	E1UNB_SL_L Horiz	E1UNB_SL_L Vert	E1UNB_SL_R Horiz	E1UNB_SL_R Vert
2	A	0.0	0.0	0.0	0.0	0.6	0.0	0.4	0.0
2	C	0.0	0.0	0.0	0.0	1.6	0.0	1.6	0.0
2	E	0.0	0.0	0.0	0.0	1.3	0.0	1.3	0.0
2	F	0.0	0.0	0.0	0.0	0.4	0.0	0.1	0.0

Frm Line	Col Line	Dead Vert	Collat Vert	Live Vert	Snow Vert	Wind Left1 Vert	Wind Right1 Vert	Wind Left2 Vert	Wind Right2 Vert	Wind Press Horiz	Wind Suct Horiz	Wind Long1 Vert	Wind Long2 Vert
6	F	0.4	0.3	2.0	0.4	-1.8	-1.2	-1.1	-0.5	-1.5	1.6	-2.0	-1.2
6	D	0.9	0.8	5.2	1.0	-4.9	-2.8	-3.5	-1.4	-3.1	3.1	-4.7	-2.8
6	B	0.8	0.8	5.2	1.0	-2.8	-4.9	-1.4	-3.5	-3.1	3.1	-2.8	-4.7
6	A	0.4	0.3	2.0	0.4	-1.2	-1.8	-0.5	-1.1	-1.5	1.6	-1.2	-2.0

Frm Line	Col Line	Seis Left Vert	Seis Right Vert	Seis Long Vert	MIN_SNOW Horiz	E2UNB_SL_L Horiz	E2UNB_SL_L Vert	E2UNB_SL_R Horiz	E2UNB_SL_R Vert	E2PAT_LL_1 Horiz	E2PAT_LL_1 Vert	E2PAT_LL_2 Horiz	E2PAT_LL_2 Vert
6	F	0.0	0.0	0.0	0.0	0.5	0.0	0.3	0.0	0.0	1.9	0.0	-0.2
6	D	0.0	0.0	0.0	0.0	1.4	0.0	1.5	0.0	0.5	0.0	5.7	0.0
6	B	0.0	0.0	0.0	0.0	1.4	0.0	1.5	0.0	0.5	0.0	5.7	0.0
6	A	0.0	0.0	0.0	0.0	0.5	0.0	0.1	0.0	0.3	0.0	-0.2	1.9

Frm Line	Col Line	E2PAT_LL_3 Horiz	E2PAT_LL_3 Vert	E2PAT_LL_4 Horiz	E2PAT_LL_4 Vert
6	F	0.0	2.2	0.0	-0.3
6	D	0.0	2.6	0.0	2.7
6	B	0.0	2.6	0.0	2.7
6	A	0.0	2.2	0.0	-0.3

ANCHOR BOLT SUMMARY

Qty	Locate	Dia (in)	Type	Projection (in)
16	Jamb	5/8"	A307	1.50
32	Endwall	3/4"	GR36	1.50
24	Frame	3/4"	GR36	2.50

GENERAL NOTES

- FOUNDATION DESIGN AND CONSTRUCTION ARE NOT THE RESPONSIBILITY OF METAL BUILDING MANUFACTURER.
- ALL REACTIONS ARE UNFACTORED.
- ULTIMATE WIND LOADS ARE USED TO DERIVE THE WIND REACTION.
- ANCHOR BOLTS SHALL BE ACCURATELY SET TO A TOLERANCE OF +/- 1/8" IN BOTH ELEVATION AND LOCATION.
- COLUMN BASE PLATES ARE DESIGNED NOT TO EXCEED A BEARING PRESSURE OF 1050 POUNDS PER SQUARE INCH.

HORNET STEEL BUILDINGS, INC.
GA COMP. #F3700180
EXPIRATION: 06/30/2024

NOTE: THE FRAMING AT BOTH ENDWALLS IS NOT DESIGNED TO ACCOMMODATE FUTURE ADDITIONS. REACTIONS CORRESPONDING TO THESE FRAME LINES REFLECT LOADINGS FOR ACTUAL TRIBUTARY AREA AND ARE NOT INTENDED TO INCLUDE ANY FUTURE MODIFICATIONS UNLESS NOTED OTHERWISE.



ISSUE	DET	CHK	DATE

DCI METAL BUILDINGS

CUSTOMER: PADEN DUNAGAN

JOB NO: 8452

DATE: 2/5/24

LOCATION: GAINESVILLE, GA 30501

DRAWING NAME: ANCHOR BOLT REACTIONS

DRAWING NO: PAGE 1.2

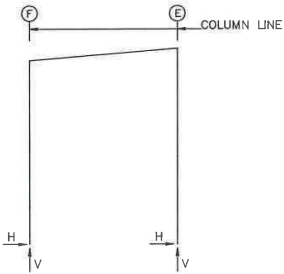
DESIGN BY: CTW

CHECKED BY: SPW

SCALE: NONE

10-21-2024 - Item 7

FRAME LINES: 2 1



RIGID FRAME: BASIC COLUMN REACTIONS (k)

Frame Line	Column Line	Dead Horiz	Dead Vert	Collateral Horiz	Collateral Vert	Live Horiz	Live Vert	Snow Horiz	Snow Vert	Wind_Left1 Horiz	Wind_Left1 Vert	Wind_Right1 Horiz	Wind_Right1 Vert
2*	F	0.0	0.4	0.0	0.2	0.1	1.3	0.0	0.2	-1.3	-3.2	1.7	1.4
2*	E	0.0	0.4	0.0	0.2	-0.1	1.3	0.0	0.2	-1.4	0.8	1.4	-3.6

Frame Line	Column Line	Wind_Left2 Horiz	Wind_Left2 Vert	Wind_Right2 Horiz	Wind_Right2 Vert	Wind_Long1 Horiz	Wind_Long1 Vert	Wind_Long2 Horiz	Wind_Long2 Vert	Seismic_Left Horiz	Seismic_Left Vert	Seismic_Right Horiz	Seismic_Right Vert
2*	F	-1.8	-2.1	1.2	2.3	0.0	-3.6	1.3	2.2	-0.1	-0.2	0.1	0.2
2*	E	-1.1	2.1	1.7	-2.2	-1.6	0.8	0.2	-2.1	-0.1	0.2	0.1	-0.2

Frame Line	Column Line	Seismic_Long Horiz	Seismic_Long Vert	Wind_Left3 Horiz	Wind_Left3 Vert	Wind_Right3 Horiz	Wind_Right3 Vert	Wind_Left4 Horiz	Wind_Left4 Vert	Wind_Right4 Horiz	Wind_Right4 Vert	MIN_SNOW Horiz	MIN_SNOW Vert
2*	F	-0.1	-0.2	-1.3	-2.5	1.6	1.9	-1.7	-2.8	1.2	1.8	0.0	0.3
2*	E	-0.1	0.2	-1.5	1.7	1.3	-2.6	-1.0	1.2	1.8	-3.4	0.0	0.3

2* Frame lines: 2 1

NOTES FOR REACTIONS

Building reactions are based on the following building data:

- Width (ft) = 16.0
- Length (ft) = 16.0
- Eave Height (ft) = 20.0/ 21.3
- Roof Slope (Rise/12) = 1.0
- Dead Load (psf) = 2.0
- Collateral Load (psf) = 3.0
- Live Load (psf) = 20.0
- Snow Load (psf) = 3.5
- Wind Speed (mph) = 110.0
- Wind Code = OSBC 24 (IBC 18)
- Exposure = B
- Closure = Enclosed
- Importance Wind = 1.00
- Importance Seismic = 1.00
- Seismic Zone = C
- Seismic Coeff (Fa*Ss) = 0.34

RIGID FRAME: ANCHOR BOLTS & BASE PLATES

Frm Line	Col Line	Anc. Qty	Bolt Dia	Base_Plate Width	Base_Plate Length	Base_Plate Thick	Grout (in)
2*	F	4	0.750	6.000	8.000	0.375	0.0
2*	E	4	0.750	6.000	8.000	0.375	0.0

2* Frame lines: 2 1

ANCHOR BOLT SUMMARY

Qty	Locate	Dia (in)	Type	Projection (in)
16	Frame	3/4"	GR36	2.50

GENERAL NOTES

1. FOUNDATION DESIGN AND CONSTRUCTION ARE NOT THE RESPONSIBILITY OF METAL BUILDING MANUFACTURER.
2. ALL REACTIONS ARE UNFACTORED.
3. ULTIMATE WIND LOADS ARE USED TO DERIVE THE WIND REACTION.
4. ANCHOR BOLTS SHALL BE ACCURATELY SET TO A TOLLERANCE OF +/- 1/8" IN BOTH ELEVATION AND LOCATION.
5. COLUMN BASE PLATES ARE DESIGNED NOT TO EXCEED A BEARING PRESSURE OF 1050 POUNDS PER SQUARE INCH.

BUILDING BRACING REACTIONS

Wall Loc	Col Line	Wind Horiz	Wind Vert	Seismic Horiz	Seismic Vert	Panel_Shear (lb/ft)	Note	
L_EW	2	2.9	4.1	0.2	0.3		(h)	
F_SW	E						(h)	
R_EW	1							
B_SW	F	Torsional Bracing Used						

(h)Rigid frame at endwall

Reactions for seismic represent shear force, Eh

HORNET STEEL BUILDINGS, INC.
GA. CORP. PER001610
EXPIRATION: 06/30/2024



NOTE: THE FRAMING AT BOTH ENDWALLS IS NOT DESIGNED TO ACCOMMODATE FUTURE ADDITIONS. REACTIONS CORRESPONDING TO THESE FRAME LINES REFLECT LOADINGS FOR ACTUAL TRIBUTARY AREA AND ARE NOT INTENDED TO INCLUDE ANY FUTURE MODIFICATIONS UNLESS NOTED OTHERWISE.

ISSUE	DET	CHK	DATE

DCI METAL BUILDINGS

CUSTOMER: PADEN DUNAGAN

JOB NO: 8452 DATE: 2/ 5/24

LOCATION: GAINESVILLE, GA 30501

DRAWING NAME: ANCHOR BOLT REACTIONS

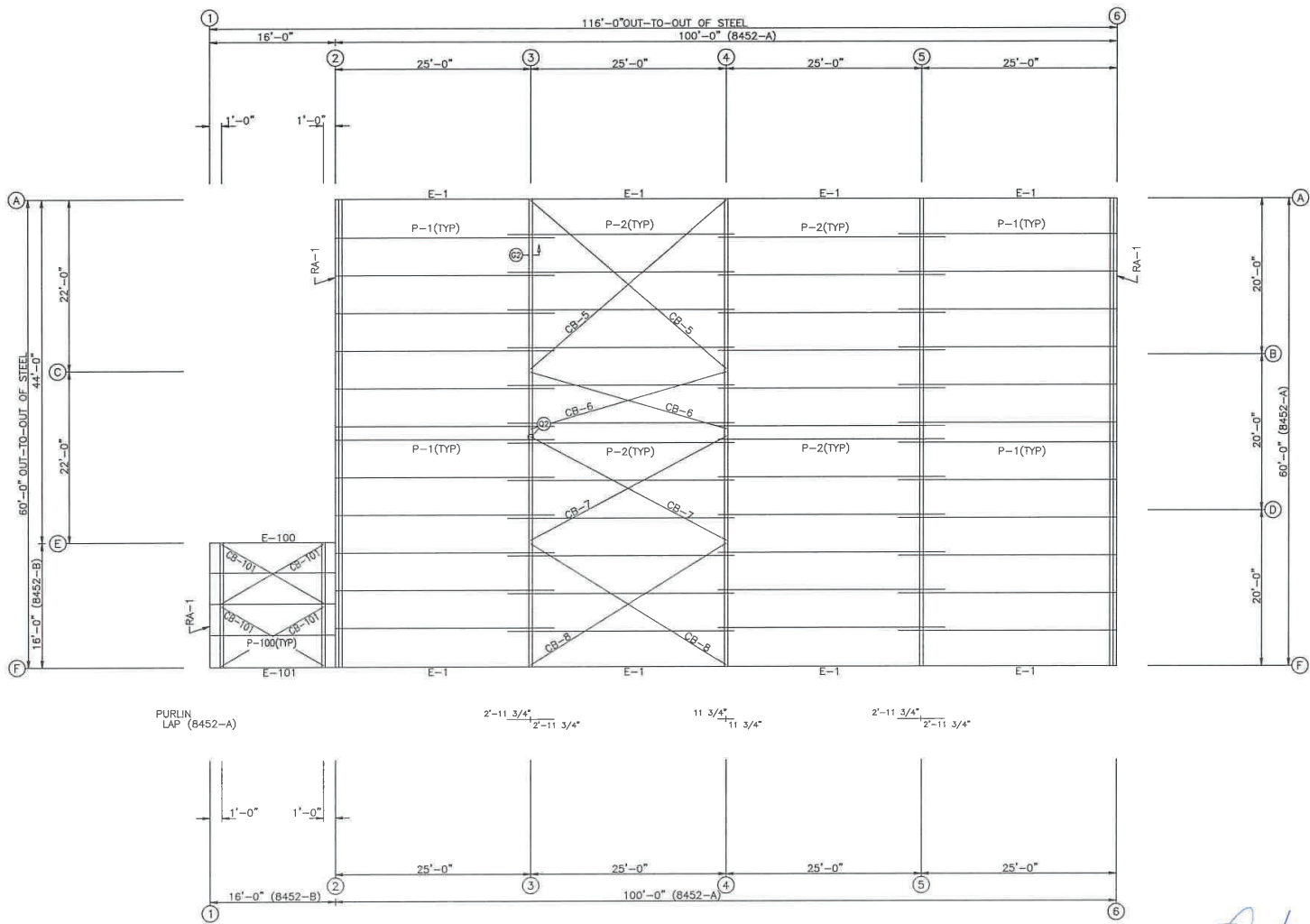
DRAWING NO: PAGE 1.3

DESIGN BY: CTW

CHECKED BY: SPW

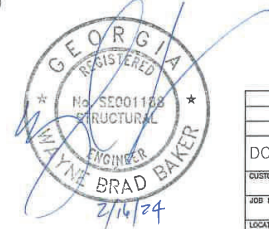
SCALE: NONE

10-21-2024 - Item 7



MEMBER TABLE		
ROOF PLAN		
MARK	PART	LENGTH
8452-A		
P-1	10x25Z14	27'-11 1/2"
P-2	10x25Z14	28'-11 1/2"
E-1	10LE14@1	24'-11 1/2"
CB-5	1/4 CBL	32'-7"
CB-6	1/4 CBL	26'-8"
CB-7	1/4 CBL	28'-10"
CB-8	1/4 CBL	29'-3"
8452-B		
P-100	10x25Z16	15'-11 1/2"
E-100	10HE14@1	15'-11 1/2"
E-101	10LE14@1	15'-11 1/2"
CB-101	1/4 CBL	15'-9"

ROOF FRAMING PLAN



ISSUE	DET	CHK	DATE

DCI METAL BUILDINGS
 CUSTOMER: PADEN DUNAGAN
 JOB NO: 8452 DATE: 2/ 5/24
 LOCATION: GAINESVILLE, GA 30501

DRAWING NAME: ROOF FRAMING LAYOUT	DRAWN BY: CTW	CHECKED BY: SPW	SCALE: NONE
-----------------------------------	---------------	-----------------	-------------

HORNET STEEL BUILDINGS, INC.
 84 COLLEGE RD
 EXPLOITING, GA 30501

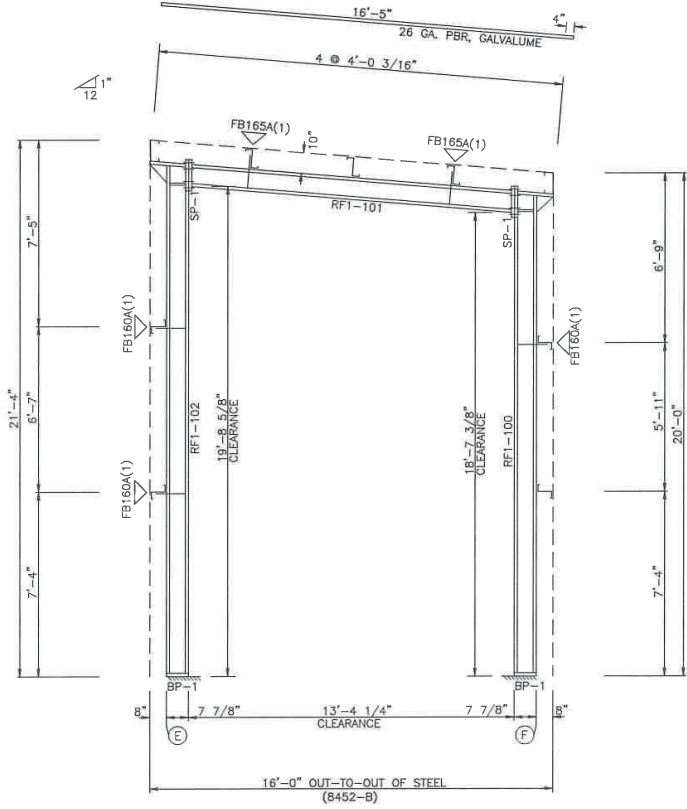
10.21.2024 - Item 7

SPLICE BOLT TABLE						
MARK	Qty	Top	Bot	Int	TYPE	DIA Length
SP-1	4	4	0	A325	5/8"	2"

BASE PLATE TABLE		
COL MARK	PLATE SIZE	Width THICK Length
BP-1	6"	3/8" 8"

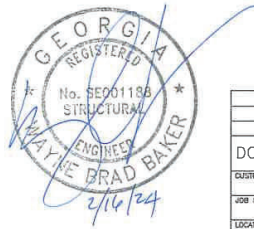
MEMBER SIZE TABLE			
MARK	MEMBER	LENGTH	WEIGHT
RF1-100	WBX10	19'-2 5/8"	227
RF1-101	WBX10	13'-4 7/16"	161
RF1-102	WBX10	20'-5 5/16"	239

▽ FLANGE BRACES: (1) One Side; (2) Two Sides
 FBxxA(1): xx=length(in)
 A - L2x2x14



RIGID FRAME ELEVATION: FRAME LINE 1

NOTE: THE FRAMING AS DEPICTED ABOVE IS NOT DESIGNED TO ACCOMMODATE ANY FUTURE EXPANSION.



ISSUE	DET	CHK	DATE
DCI METAL BUILDINGS			
CUSTOMER: PADEN DUNAGAN			
JOB NO: 8452	DATE: 2/ 5/24		
LOCATION: GAINESVILLE, GA 30501			
DRAWING NAME: RIGID FRAME CROSS SECTION			
DRAWING NO: PAGE 2.1	DRAWN BY: CTW	CHECKED BY: SPW	SCALE: NONE

HORNET STEEL BUILDINGS, INC.
 GA COAF: PFD09160
 EXPIRATION: 04/30/2024

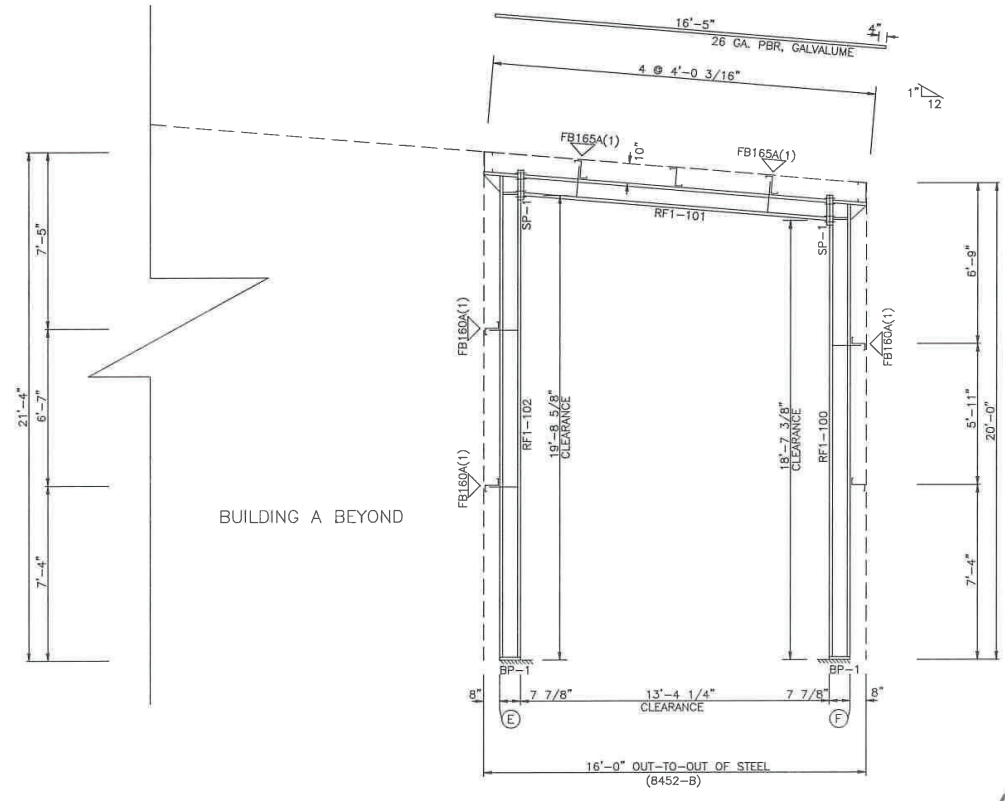
10:21:2024 - Item 7

SPLICE BOLT TABLE							
MARK	Qty	Top	Bot	Int	TYPE	DIA	Length
SP-1	4	4	0	A325	5/8"	2"	

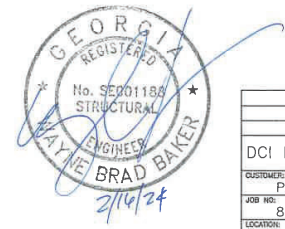
BASE PLATE TABLE				
COL MARK	PLATE SIZE	Width	THICK	Length
BP-1	6"	3/8"	8"	

MEMBER SIZE TABLE				
MARK	MEMBER	LENGTH	WEIGHT	
RF1-100	WBX10	19'-2 5/8"	227	
RF1-101	WBX10	13'-4 7/16"	161	
RF1-102	WBX10	20'-5 5/16"	239	

▽ FLANGE BRACES: (1) One Side; (2) Two Sides
 FBxxA(1): xx=length(in)
 A - L2x2x14



RIGID FRAME ELEVATION: FRAME LINE 2



ISSUE	DET	CHK	DATE
DCI METAL BUILDINGS			
CUSTOMER:	PADEN DUNAGAN		
JOB NO.:	8452	DATE:	2/ 5/24
LOCATION:	GAINESVILLE, GA 30501		
DRAWING NAME:	RIGID FRAME CROSS SECTION		
DRAWING NO.:	PAGE 2.2	DESIGN BY:	CTW
GA CODE: FFD05160		CHECKED BY:	SPW
DATE: 06/20/2024		SCALE:	NONE

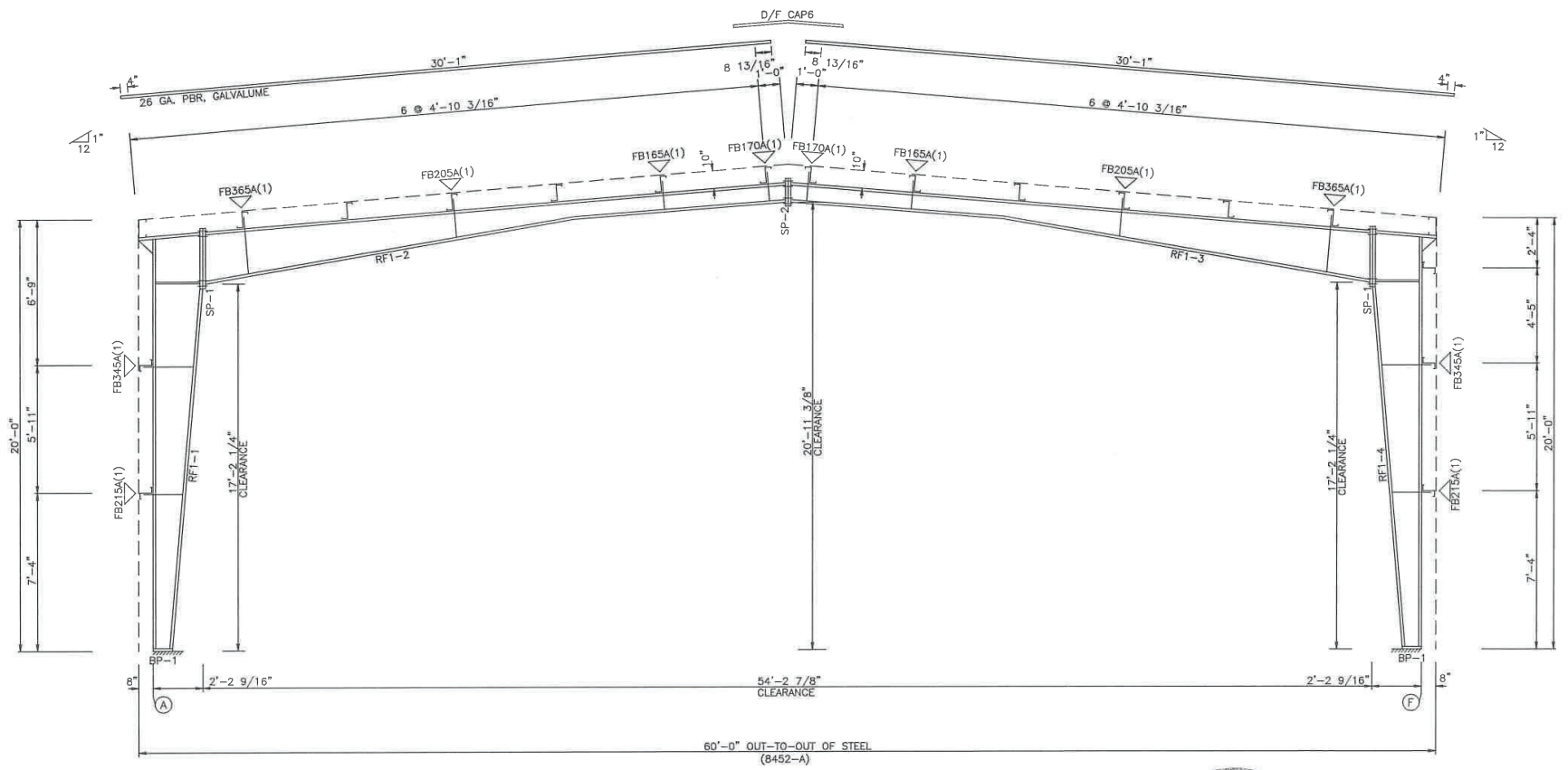
10.21.2024 - Item 7

SPLICE BOLT TABLE							
MARK	Qty	Top	Bot	Int	TYPE	DIA	Length
SP-1	4	4	0	0	A325	5/8"	2 1/2"
SP-2	4	4	0	0	A325	5/8"	2"

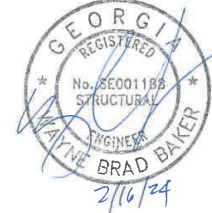
BASE PLATE TABLE				
COL MARK	PLATE WIDTH	PLATE THICK	PLATE SIZE	Length
BP-1	6"	3/8"	8 1/2"	

FLANGE BRACES: (1) One Side; (2) Two Sides
 FBxx(A): xx=length(in)
 A - L2x2x14

MEMBER TABLE							
MARK	Weight	Web		Web THICK	Length	Outside Flange W x Thk x Length	Inside Flange W x Thk x Length
		Start	End				
RF1-1	407	7.5/ 9.7	0.135	2'-0"	14'-10 1/8"	5 x 1/4" x 19'-2"	5 x 5/16" x 16'-11"
RF1-2	481	26.0/26.0	0.188	2'-6 1/16"	2'-6 1/16"	5 x 1/4" x 2'-10 3/8"	5 x 5/16" x 17'-4 1/8"
		10.0/ 7.5	0.135	10'-0"	14'-11"	5 x 1/4" x 7'-1 1/8"	5 x 1/4" x 9'-11 5/16"
RF1-3	481	7.5/ 8.0	0.135	10'-0"	14'-11"	5 x 1/4" x 7'-1 1/8"	5 x 1/4" x 9'-11 5/16"
		8.0/ 7.5	0.135	10'-0"	14'-11"	5 x 1/4" x 20'-0"	5 x 5/16" x 17'-4 1/8"
RF1-4	406	10.0/26.0	0.135	2'-4 5/16"	14'-11"	5 x 1/4" x 20'-0"	5 x 5/16" x 17'-4 1/8"
		26.0/26.0	0.188	2'-6 1/16"	14'-11 1/8"	5 x 1/4" x 19'-2"	5 x 5/16" x 16'-11"
		9.7/ 7.5	0.135	2'-0"	14'-11 1/8"	5 x 1/4" x 19'-2"	



RIGID FRAME ELEVATION: FRAME LINE 3 4 5



ISSUE	DET	CHK	DATE

DCI METAL BUILDINGS

CUSTOMER: PADEN DUNAGAN

JOB NO: 8452 DATE: 2/ 5/24

LOCATION: GAINESVILLE, GA 30501

DRAWING NAME: RIGID FRAME CROSS SECTION

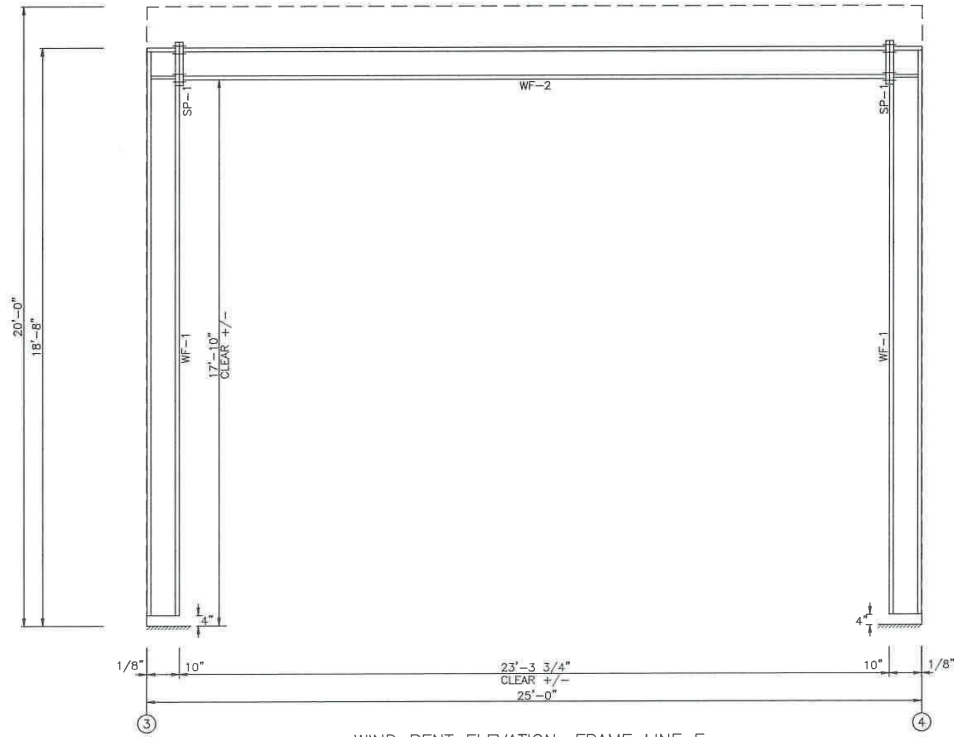
DRAWING NO: SA 6046; PFD05160
 DATE: 09/20/2024

PAGE 2.3 DRAWN BY: CTW CHECKED BY: SPW SCALE: NONE

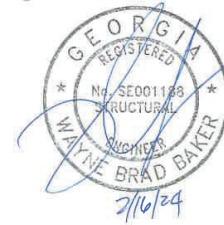
10:21:2024 - Item 7

SPLICE BOLTS				
Splice Mark	Quan	Top/Bot	Type	Dia Length
SP-1	4	4	A325	5/8" 2"

MEMBER SIZE TABLE		
MARK	MEMBER	LENGTH
WF-2	B10651	23'-3 1/4"
WF-1	B10641	18'-4"

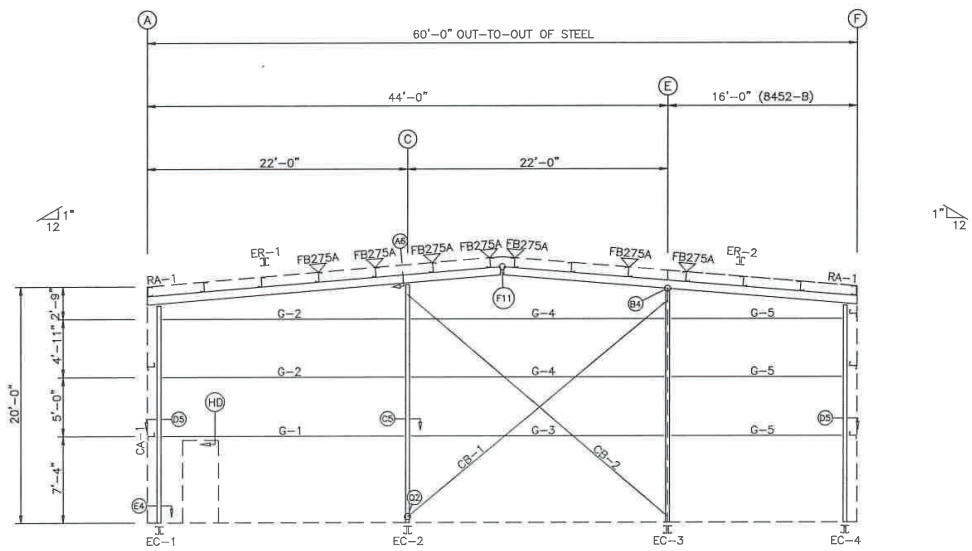


WIND BENT ELEVATION: FRAME LINE F

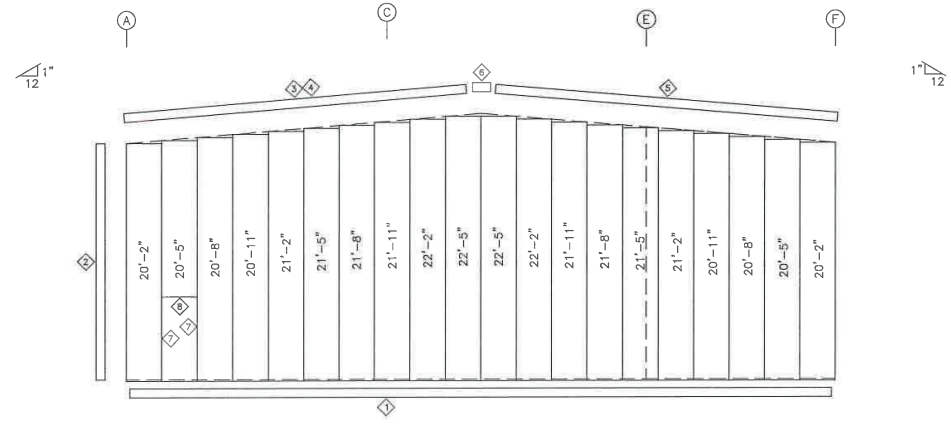


HORNET STEEL BUILDINGS, INC.
 GA COAF: PE0008169
 EXPIRATION: 09/25/2024

ISSUE	DET	CHK	DATE
DCI METAL BUILDINGS			
CUSTOMER:			
JOB NO:	6452-A		DATE: 2/ 2/24
LOCATION: GAINESVILLE, GA 30501			
DRAWING NAME: RIGID FRAME CROSS SECTION			
DRAWING NO: PAGE 2.4	DRAWN BY: CTW	CHECKED BY: SPW	SCALE: NONE



ENDWALL FRAMING: FRAME LINE 2



ENDWALL SHEETING & TRIM: FRAME LINE 2
PANELS: 26 Ga. R - ASH GRAY

NOTE: FIELD SLOT GIRTS FOR CABLE PASSAGE

NOTE: THE FRAMING AS DEPICTED ABOVE IS NOT DESIGNED TO ACCOMMODATE ANY FUTURE EXPANSION.

BOLT TABLE
FRAME LINE 2

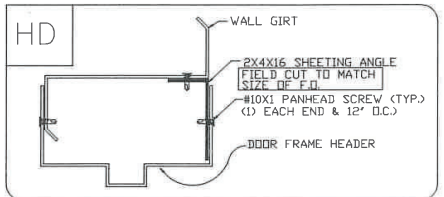
LOCATION	QUAN	TYPE	DIA	LENGTH
ER-1/ER-2	8	A325	5/8"	2"
Columns/Raf	2	A325	5/8"	2"

TRIM TABLE
FRAME LINE 2

ID	PART	LENGTH	DETAIL
1	FL-73	20'-0"	TRIM_9
2	O/S CORN	20'-2"	TRIM_5
3	RAKE TRM	20'-3"	TRIM_3
4	RAKE TRM	10'-2"	TRIM_3
5	RAKE TRM	14'-1"	TRIM_3
6	PEAK BOX	1'-4"	TRIM_4
7	R JAMB	7'-3"	TRIM_8
8	R HEAD	3'-3"	TRIM_61

MEMBER TABLE
FRAME LINE 2

MARK	PART	LENGTH
EC-1	8x7DC16	18'-4 15/16"
EC-2	8x7DC12	20'-1 15/16"
EC-3	8x7DC14	19'-7 15/16"
EC-4	8x7DC16	18'-4 15/16"
ER-1	8x7DC12	30'-1"
ER-2	8x7DC12	30'-1"
G-1	8x25Z14	20'-3 1/2"
G-2	8x25Z16	20'-3 1/2"
G-3	8x25Z14	21'-3 1/2"
G-4	8x25Z16	21'-3 1/2"
G-5	8x25Z16	14'-3 1/2"
CB-1	1/4 CBL	29'-6"
CB-2	1/4 CBL	29'-10"



HORNET STEEL BUILDINGS, INC.
GA. COAF. PE000188
EXPIRATION: 06/30/2024

ISSUE	DET	CHK	DATE

DCI METAL BUILDINGS

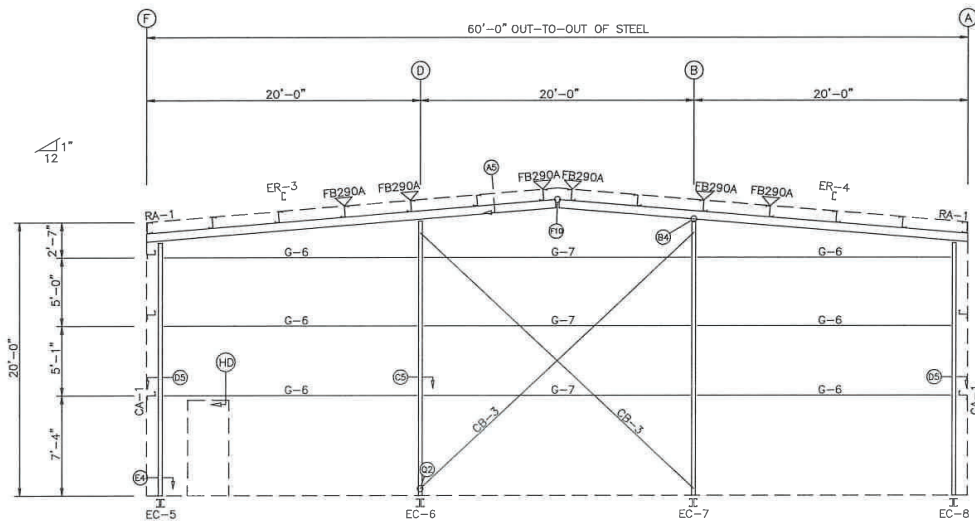
CUSTOMER: PADEN DUNAGAN
JOB NO: 8452
DATE: 2/ 5/24

LOCATION: GAINESVILLE, GA 30501

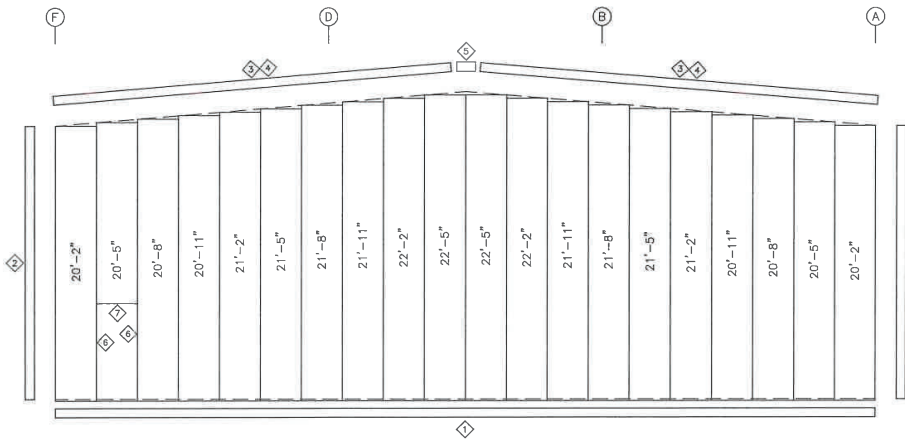
DRAWING NAME: FRAMING & SHEETING LAYOUT

DRAWING NO: PAGE 3
CHECKED BY: CTW
SCALE: NONE

10.21.2024 - Item 7



ENDWALL FRAMING: FRAME LINE 6

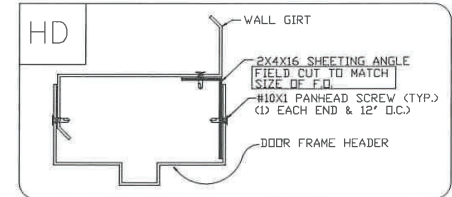


ENDWALL SHEETING & TRIM: FRAME LINE 6
PANELS: 26 Ga. R - ASH GRAY

BOLT TABLE				
FRAME LINE 6				
LOCATION	QUAN	TYPE	DIA	LENGTH
ER-3/ER-4	8	A325	5/8"	2"
Columns/Raf	2	A325	5/8"	2"

TRIM TABLE			
FRAME LINE 6			
ID	PART	LENGTH	DETAIL
1	FL-73	20'-0"	TRIM_9
2	O/S CORN	20'-2"	TRIM_5
3	RAKE TRM	20'-3"	TRIM_3
4	RAKE TRM	10'-2"	TRIM_3
5	PEAK BOX	1'-4"	TRIM_4
6	R JAMB	7'-3"	TRIM_8
7	R HEAD	3'-3"	TRIM_61

MEMBER TABLE		
FRAME LINE 6		
MARK	PART	LENGTH
EC-5	8X7DC16	18'-0 15/16"
EC-6	8X7DC14	19'-7 15/16"
EC-7	8X7DC14	19'-7 15/16"
EC-8	8X7DC16	18'-0 15/16"
ER-3	12X35C12	30'-1"
ER-4	12X35C12	30'-1"
G-6	8x25Z16	18'-3 1/2"
G-7	8x25Z16	19'-3 1/2"
CB-3	1/4 CBL	28'-0"



NOTE: FIELD SLOT GIRTS FOR CABLE PASSAGE

NOTE: THE FRAMING AS DEPICTED ABOVE IS NOT DESIGNED TO ACCOMMODATE ANY FUTURE EXPANSION.



6 HORNET STEEL BUILDINGS, INC.
GA. COMP. PER006190
EXPIRATION: 06/30/2024

ISSUE	DET	CHK	DATE

DCI METAL BUILDINGS

CUSTOMER: PADEN DUNAGAN

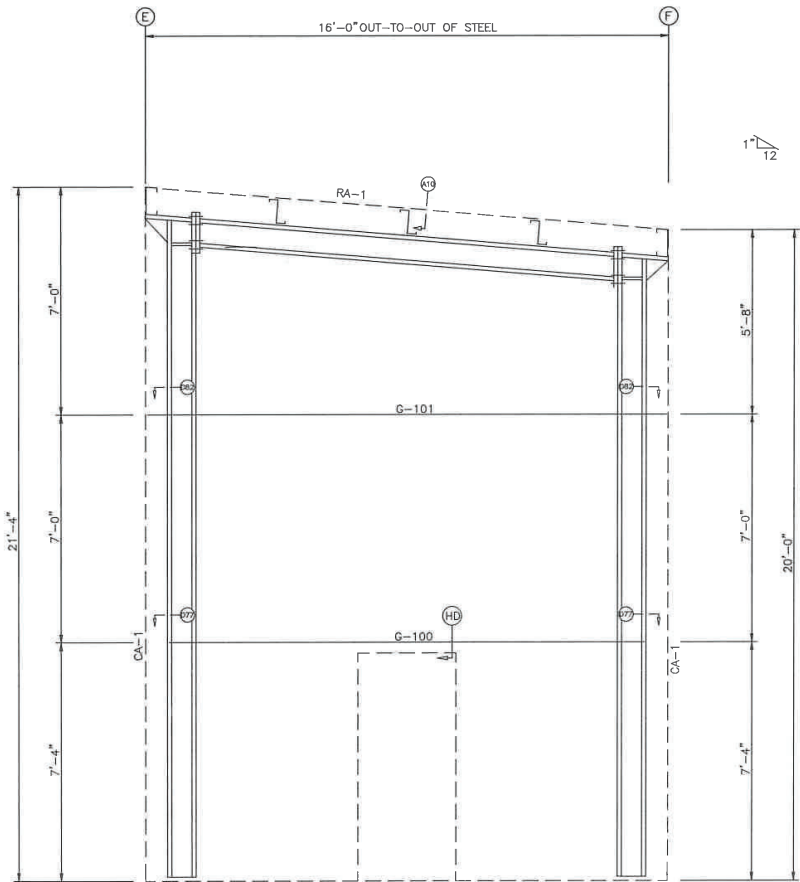
JOB NO: 8452 DATE: 2/ 5/24

LOCATION: GAINESVILLE, GA 30501

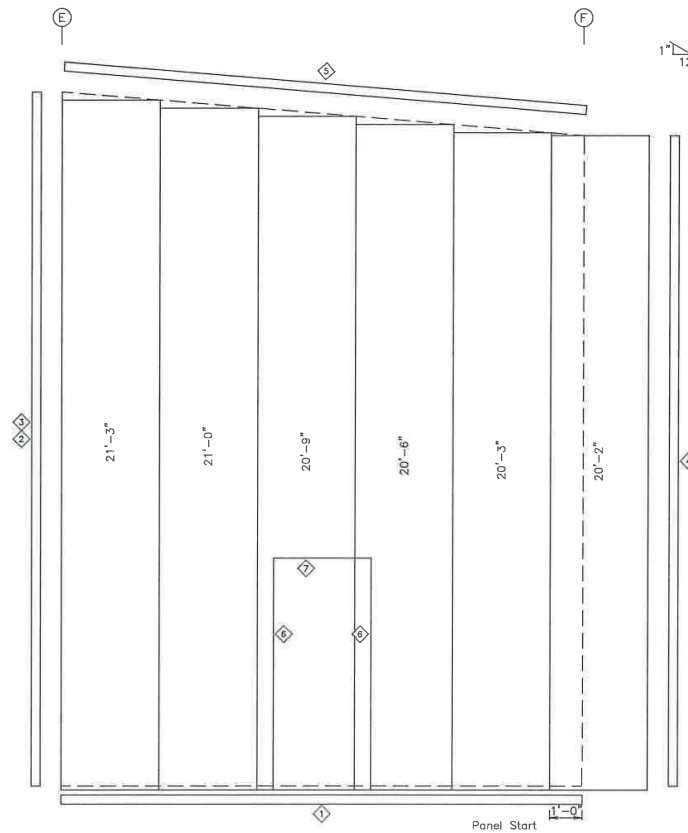
DRAWING NAME: FRAMING & SHEETING LAYOUT

DRAWING NO: PAGE 3.1 DRAWN BY: CTW CHECKED BY: SPW SCALE: NONE

10-21-2024 - Item 7



ENDWALL FRAMING: FRAME LINE 1



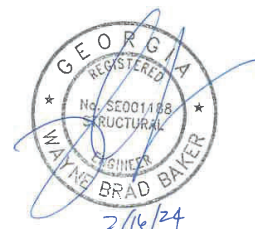
ENDWALL SHEETING & TRIM: FRAME LINE 1
PANELS: 26 Ga. R - ASH GRAY

TRIM TABLE			
FRAME LINE 1			
ID	PART	LENGTH	DETAIL
1	FL-73	20'-0"	TRIM_9
2	O/S CORN	20'-3"	TRIM_5
3	O/S CORN	1'-6"	TRIM_5
4	O/S CORN	20'-2"	TRIM_5
5	RAKE TRM	16'-1"	TRIM_3
6	R JAMB	7'-3"	TRIM_8
7	R HEAD	3'-3"	TRIM_61

MEMBER TABLE		
FRAME LINE 1		
MARK	PART	LENGTH
G-100	8x25Z16	14'-7 1/2"
G-101	8x25Z16	15'-11 1/2"

NOTE: THE FRAMING AS DEPICTED ABOVE IS NOT DESIGNED TO ACCOMMODATE ANY FUTURE EXPANSION.

6

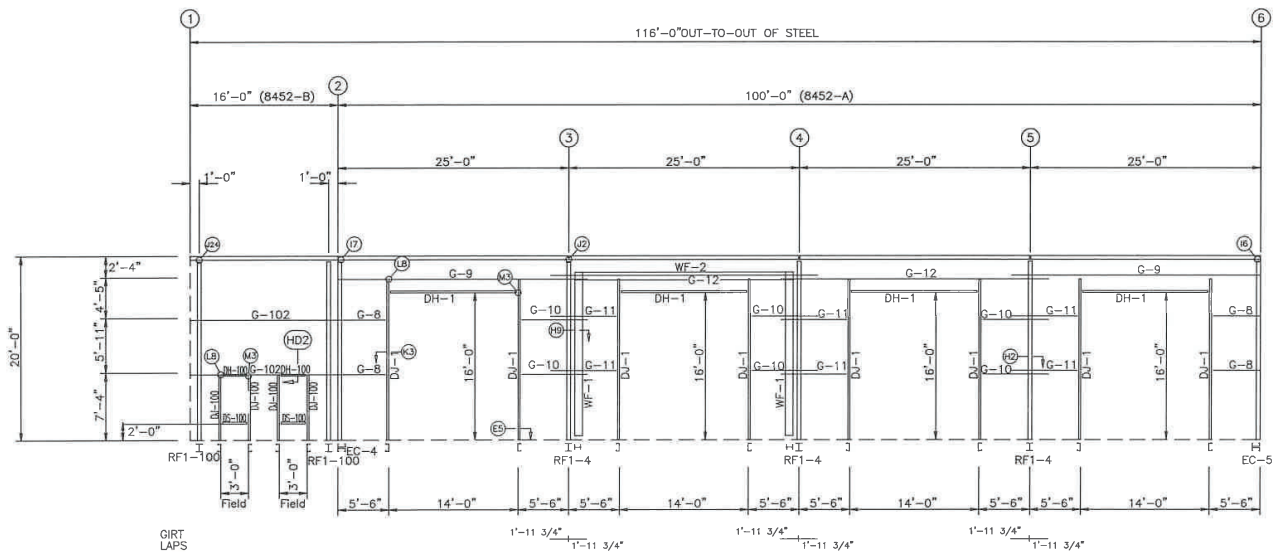


ISSUE	DET	CHK	DATE

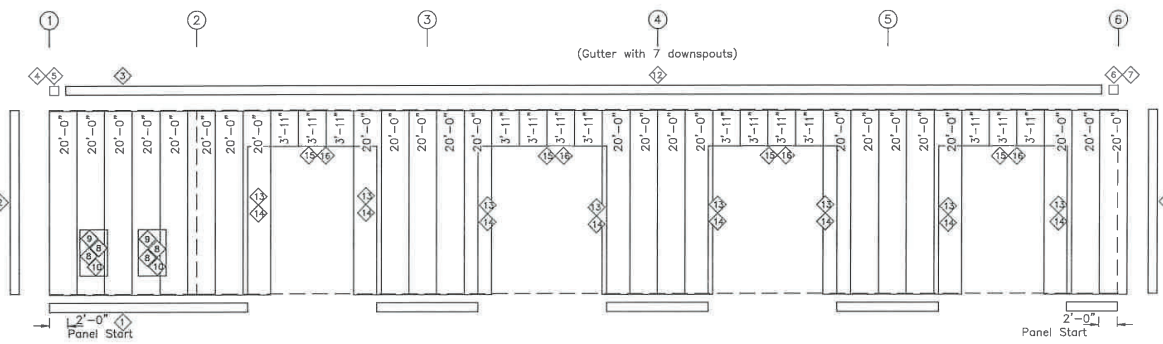
DCI METAL BUILDINGS	
CUSTOMER: PADEN DUNAGAN	
JOB NO: 8452	DATE: 2/ 5/24
LOCATION: GAINESVILLE, GA 30501	
DRAWING NAME: FRAMING & SHEETING LAYOUT	

HOVNET STEEL BUILDINGS, INC.	DRAWING NO: PAGE 3.2	ISSUED BY: CTW	CHECKED BY: SPW	SCALE: NONE
GA COMP. PEFD08160				
EXPIRATION: 06/30/2024				

10.21.2024 - Item 7



SIDEWALL FRAMING: FRAME LINE F

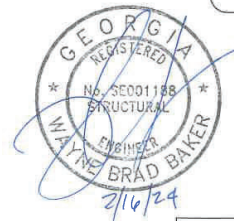
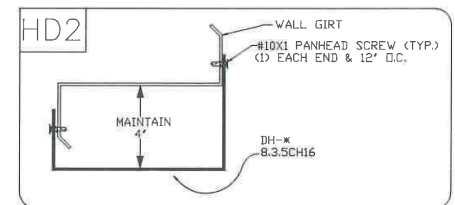


SIDEWALL SHEETING & TRIM: FRAME LINE F
PANELS: 26 G. R - ASH GRAY

BOLT TABLE				
FRAME LINE F				
LOCATION	QUAN	TYPE	DIA	LENGTH
8452-A				
WF-1 - WF-2	8	A325	5/8"	2"
WF-1 - RF1-4	4	A325	5/8"	2"

TRIM TABLE			
FRAME LINE F			
ID	PART	LENGTH	DETAIL
1	FL-73	20'-0"	TRIM_9
2	O/S CORN	20'-2"	TRIM_5
3	GUTTER	16'-0"	TRIM_1
4	GUTEND L	1"	TRIM_2
5	CORBOX L	1'-0"	TRIM_2
6	GUTEND R	1"	TRIM_2
7	CORBOX R	1'-0"	TRIM_2
8	R JAMB	5'-3"	TRIM_8
9	R HEAD	3'-3"	TRIM_61
10	R HEAD	3'-3"	TRIM_7
12	GUTTER	20'-3"	TRIM_1
13	CTB	16'-1"	TRIM_11
14	R JAMB	16'-3"	TRIM_8
15	CTB	14'-0"	TRIM_10
16	R HEAD	14'-3"	TRIM_61

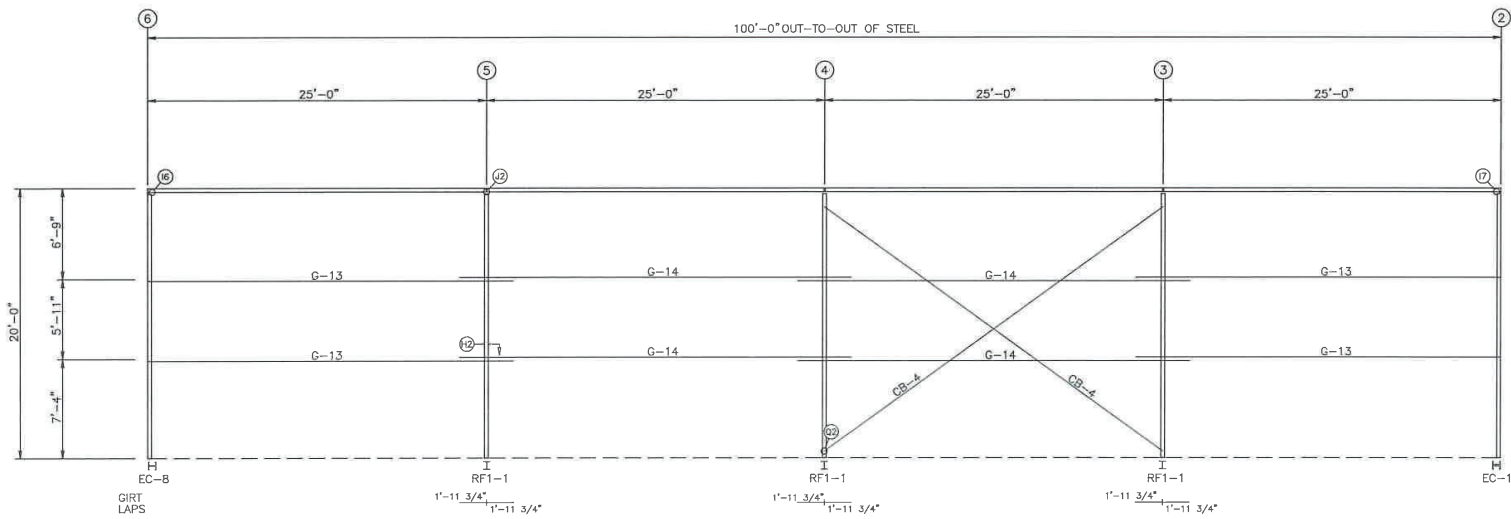
MEMBER TABLE		
FRAME LINE F		
MARK	PART	LENGTH
8452-A		
WF-1	B10641	18'-4"
WF-2	B10651	23'-3 1/4"
DJ-1	8X35C16	17'-8"
DH-1	8X35C16	14'-0"
G-8	8X25Z16	5'-1 1/2"
G-9	8X25Z14	26'-11 1/2"
G-10	8X25Z16	7'-1 1/2"
G-11	8X25Z16	7'-1 1/2"
G-12	8X25Z16	28'-11 1/2"
8452-B		
DJ-100	8X25C16	7'-4"
DH-100	8.3.5CH16	3'-0"
DS-100	8X25C16	3'-0"
G-102	8X25Z16	15'-11 1/2"



ISSUE	DET	CHK	DATE
DCI METAL BUILDINGS			
CUSTOMER: PADEN DUNAGAN			
JOB NO: 8452	DATE: 2/ 5/24		
LOCATION: GAINESVILLE, GA 30501			
DRAWING NAME: FRAMING & SHEETING LAYOUT			
DRAWING NO: PAGE 4	DESIGNED BY: CTW	CHECKED BY: SPW	SCALE: NONE

HOJNET STEEL BUILDINGS, INC.
GA COMP. PER008160
EXPIRATION: 05/20/2024

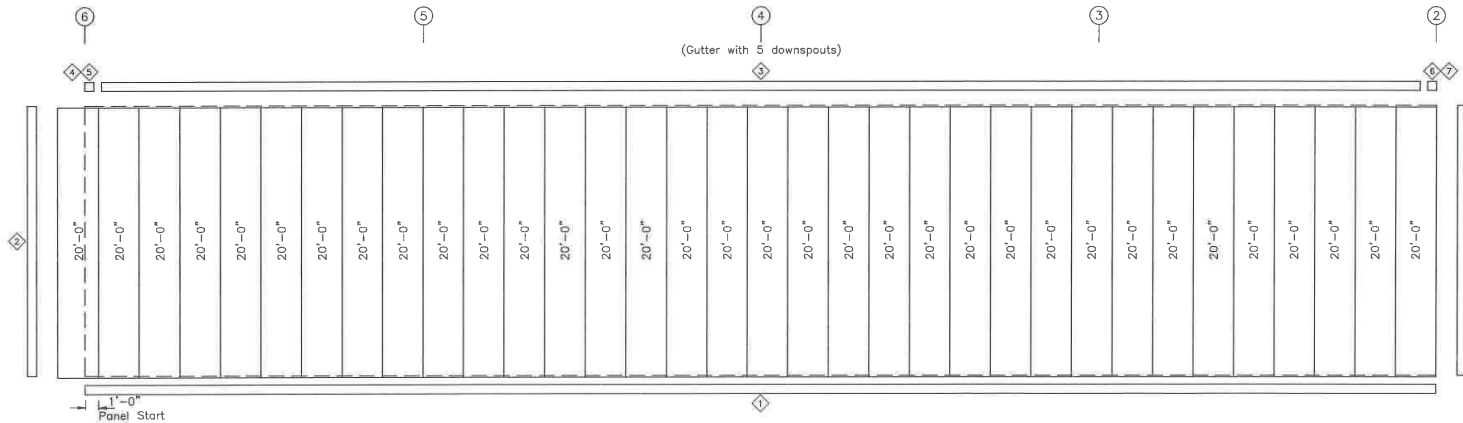
10.2.21.2024 - Item 7



SIDEWALL FRAMING: FRAME LINE A

TRIM TABLE			
FRAME LINE A			
ID	PART	LENGTH	DETAIL
1	FL-73	20'-0"	TRIM_9
2	O/S CORN	20'-2"	TRIM_5
3	GUTTER	20'-3"	TRIM_1
4	GUTEND L	1'-0"	TRIM_2
5	CORBOX L	1'-0"	TRIM_2
6	GUTEND R	1'-0"	TRIM_2
7	CORBOX R	1'-0"	TRIM_2

MEMBER TABLE		
FRAME LINE A		
MARK	PART	LENGTH
G-13	8x25Z16	26'-11 1/2"
G-14	8x25Z16	28'-11 1/2"
CB-4	5/16 CBL	31'-8"



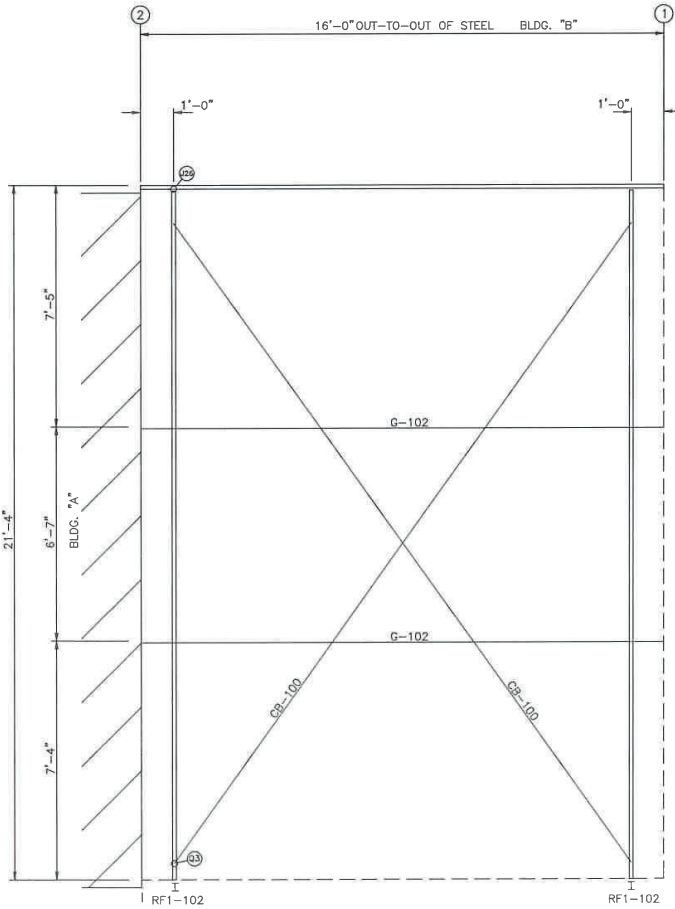
SIDEWALL SHEETING & TRIM: FRAME LINE A
PANELS: 26 Co. R - ASH GRAY



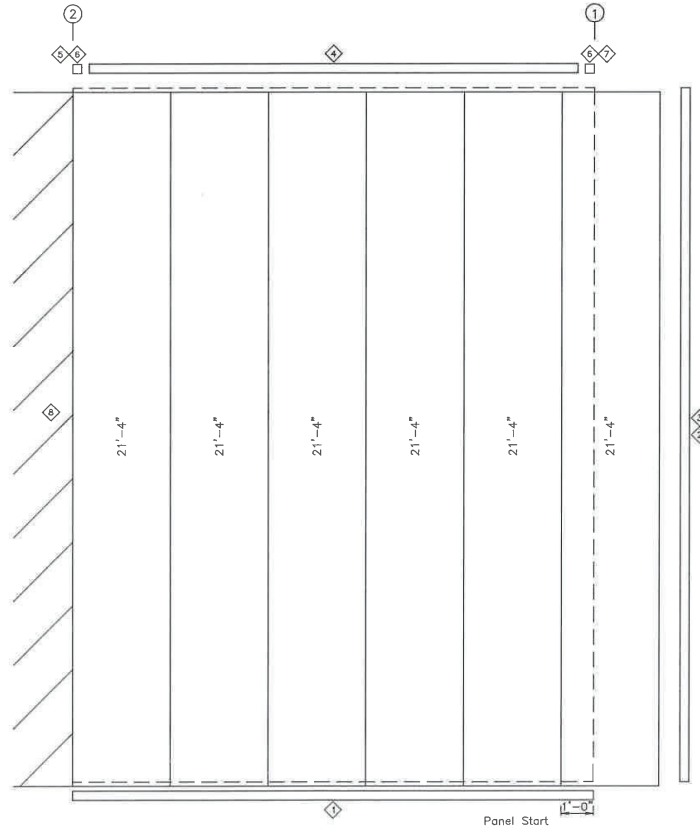
ISSUE	DET	CHK	DATE
DCI METAL BUILDINGS			
CUSTOMER: PADEN DUNAGAN			
JOB NO: 8452	DATE: 2/ 5/24		
LOCATION: GAINESVILLE, GA 30501			
DRAWING NAME: FRAMING & SHEETING LAYOUT			
DRAWING NO: PAGE 4.1	DRAWN BY: CTW	CHECKED BY: SPW	SCALE: NONE

BOHNET STEEL BUILDINGS, INC.
GA CORP. PFD09160
EXPIRATION: 08/26/2024

10.21.2024 - Item 7



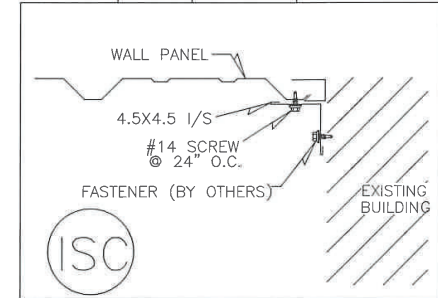
SIDEWALL FRAMING: FRAME LINE E



SIDEWALL SHEETING & TRIM: FRAME LINE E
PANELS: 26 Ga. R - ASH GRAY

TRIM TABLE			
FRAME LINE E			
ID	PART	LENGTH	DETAIL
1	FL-73	20'-0"	TRIM_9
2	O/S CORN	20'-3"	TRIM_5
3	O/S CORN	1'-6"	TRIM_5
4	H/S EAVE	16'-0"	TRIM_14
5	H/S 1/S COR	1'-0"	TRIM_15
6	RAKE BOX	1'-0"	TRIM_15
7	HS COR R	1'-0"	TRIM_15
8	4.5X4.5 1/S	10'-11"	ISC

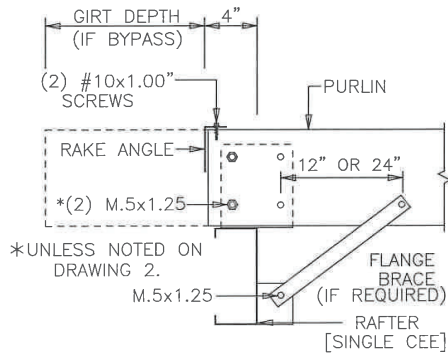
MEMBER TABLE		
FRAME LINE E		
MARK	PART	LENGTH
G-102	8x25Z16	15'-11 1/2"
CB-100	0.50_ROD	24'-9"



ISSUE	DET	CHK	DATE
DCI METAL BUILDINGS			
CUSTOMER: PADEN DUNAGAN			
JOB NO: 8452	DATE: 2/ 5/24		
LOCATION: GAINESVILLE, GA 30501			
DRAWING NAME: FRAMING & SHEETING LAYOUT			
DRAWING BY: PAGE 4.2	DESIGNED BY: CTW	CHECKED BY: SPW	SCALE: NONE

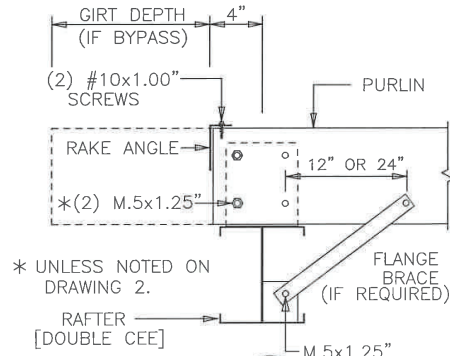
HOINET STEEL BUILDINGS, INC.
GA COMP. #PFD06160
EXPIRATION: 06/30/2024

10.21.2024 - Item 7



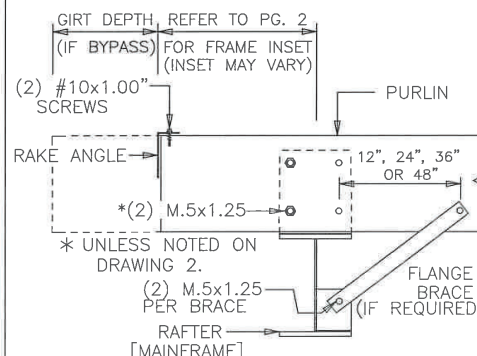
DETAIL (A5)

PURLIN TO ENDWALL RAFTER



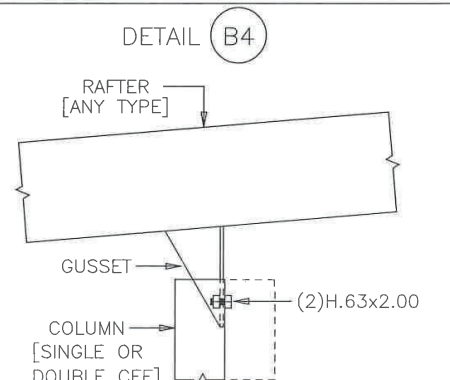
DETAIL (A6)

PURLIN TO ENDWALL RAFTER

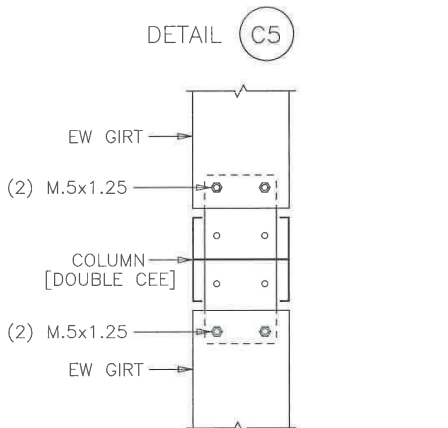


DETAIL (A10)

PURLIN TO ENDWALL RAFTER

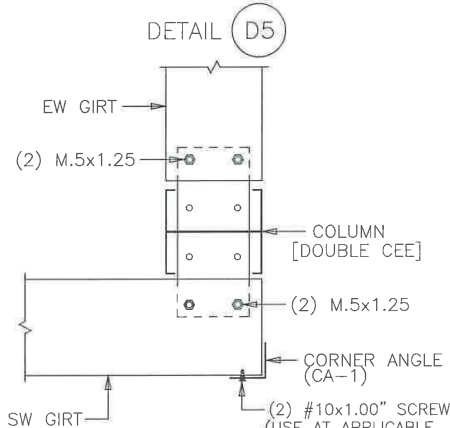


* UNLESS NOTED ON EW FRAMING PLAN
CEE COLUMN / RAFTER CONNECTION



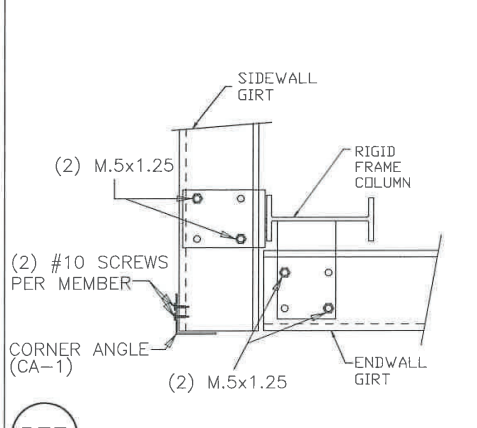
DETAIL (C5)

ENDWALL GIRTS TO INTERIOR COLUMN



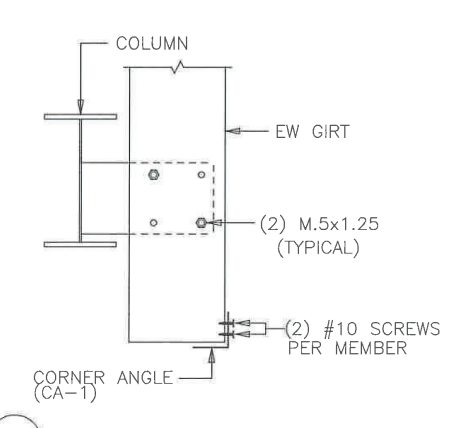
DETAIL (D5)

GIRTS TO CORNER COLUMN



(D77)

CORNER COLUMN TO WALL GIRT



(D82)

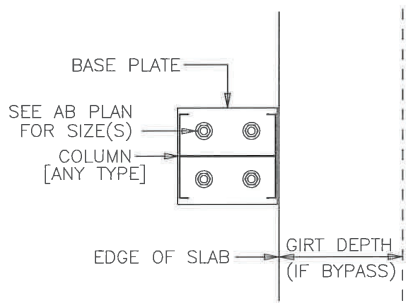
GIRTS TO CORNER COLUMN



ISSUE	DET	CHK	DATE
DCI METAL BUILDINGS			
CUSTOMER: PADEN DUNAGAN			
JOB NO: 8452	DATE: 2/ 2/24		
LOCATION: GAINESVILLE, GA 30501			
DRAWING NAME: FRAMING DETAILS			
MORNET STEEL BUILDINGS, INC.			
DA COMP: PFD00180	DRAWN BY: CTW	CHECKED BY: SPW	SCALE: NONE
EXPIRATION: 06/06/2024	PAGE 5		

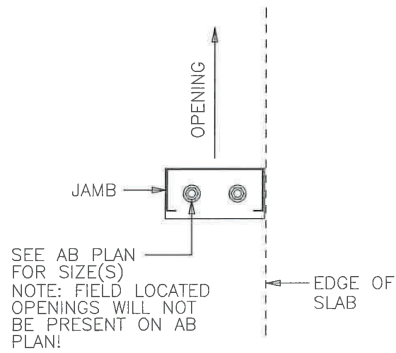
10-21-2024 - Item 7

DETAIL (E4)



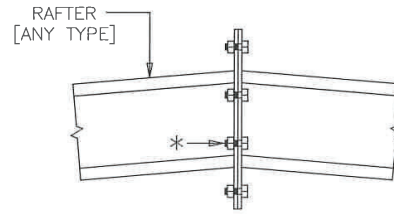
ENDWALL COLUMN BASE DETAIL

DETAIL (E5)



FRAMED OPENING JAMB BASE DETAIL

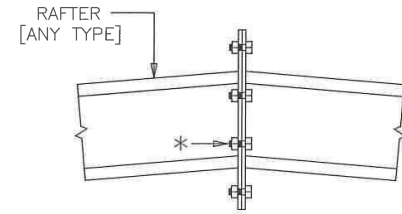
DETAIL (F10)



* SEE EW FRAMING PLAN FOR SIZE AND QUANTITY OF BOLTS.

RAFTER DETAIL AT RIDGE

DETAIL (F11)

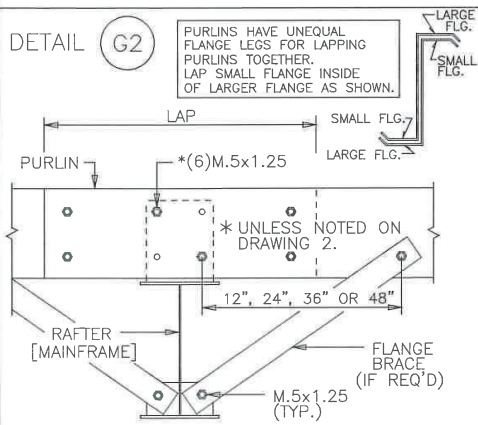


* SEE EW FRAMING PLAN FOR SIZE AND QUANTITY OF BOLTS.

RAFTER DETAIL AT RIDGE

DETAIL (G2)

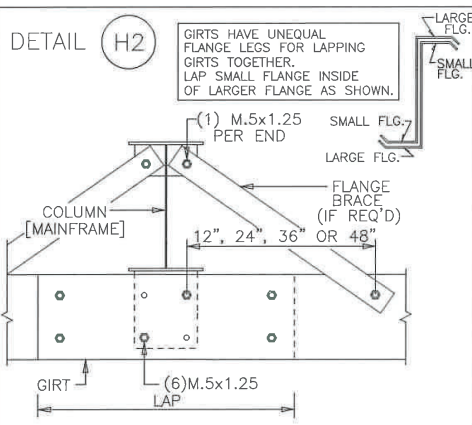
PURLINS HAVE UNEQUAL FLANGE LEGS FOR LAPPING PURLINS TOGETHER. LAP SMALL FLANGE INSIDE OF LARGER FLANGE AS SHOWN.



PURLIN TO MAINFRAME RAFTER

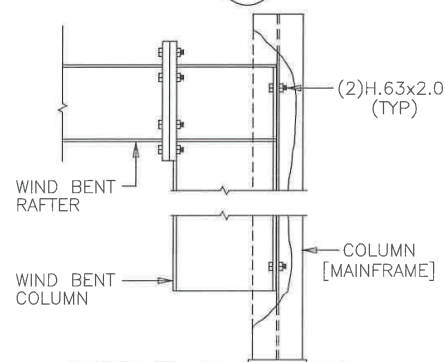
DETAIL (H2)

GIRTS HAVE UNEQUAL FLANGE LEGS FOR LAPPING GIRTS TOGETHER. LAP SMALL FLANGE INSIDE OF LARGER FLANGE AS SHOWN.



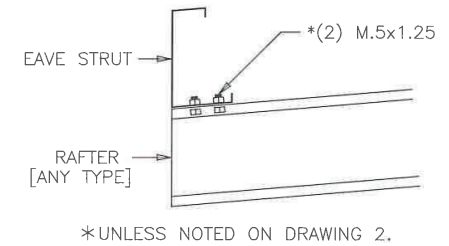
GIRT TO MAINFRAME COLUMN

DETAIL (H9)

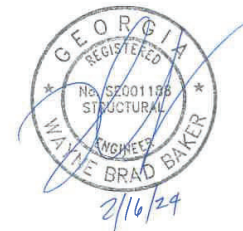


WIND BENT DETAIL

I6



EAVE STRUT CONNECTION AT ENDWALL

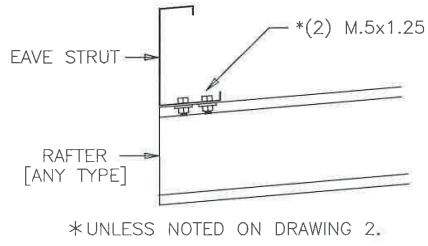


ISSUE	DET	CHK	DATE
DCI METAL BUILDINGS			
CUSTOMER: PADEN DUNAGAN			
JOB NO: 8452	DATE: 2/ 2/24		
LOCATION: GAINESVILLE, GA 30501			
DRAWING NAME: FRAMING DETAILS			
DRAWING NO: PAGE 5.1	DRWING BY: CTW	CHECKED BY: SPW	SCALE: NONE

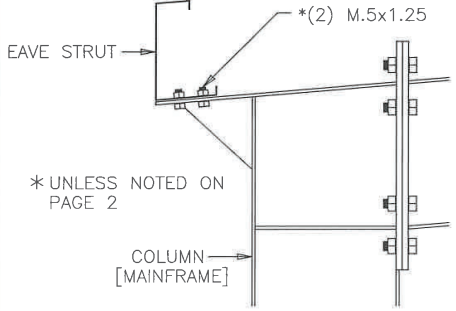
HORNET STEEL BUILDINGS, INC.
GA. COMM. REG. 0001198
EXPIRATION: 06/30/2024

10-21-2024 - Item 7

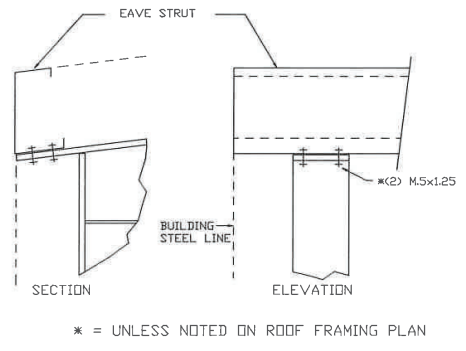
DETAIL (I7)



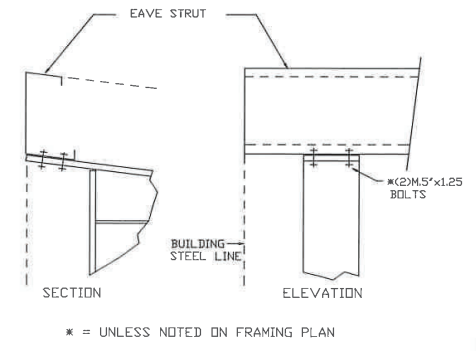
EAVE STRUT CONNECTION AT ENDWALL



(J2) EAVE STRUT CONNECTION AT MAINFRAME

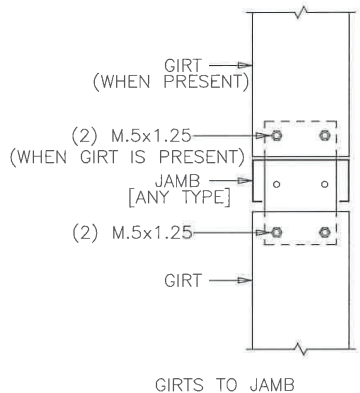


(J24) EAVE STRUT TO RIGID FRAME

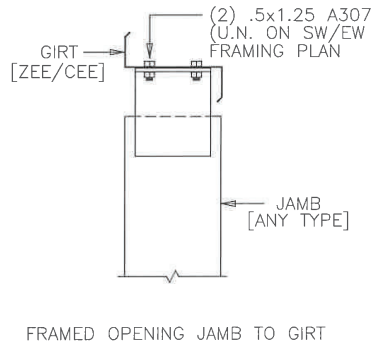


(J26) EAVE STRUT TO RIGID FRAME

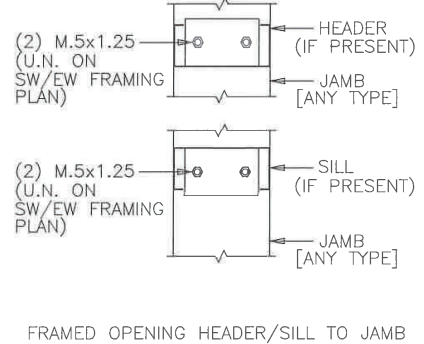
DETAIL (K3)



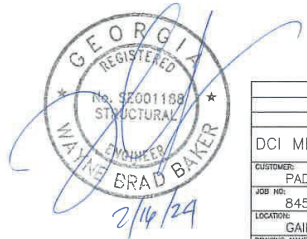
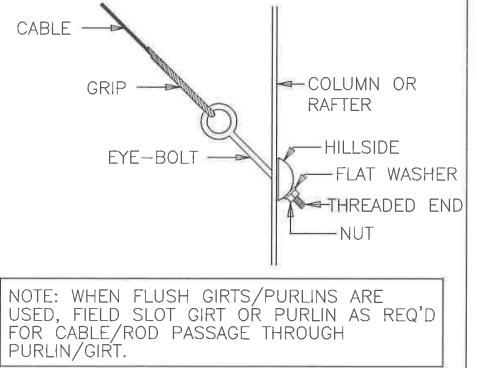
DETAIL (L8)



DETAIL (M3)



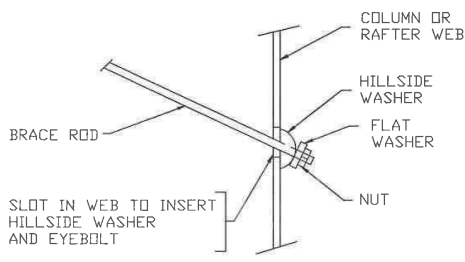
(Q2) CABLE INSTALLATION DETAIL



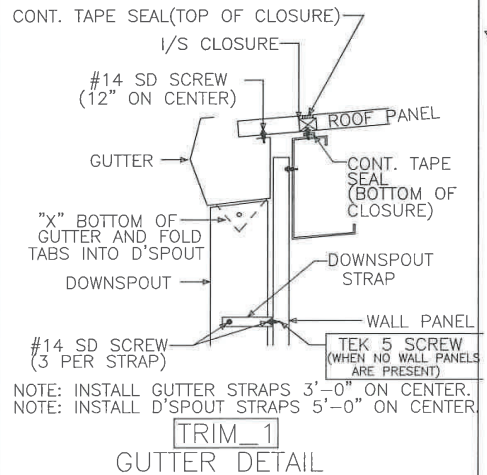
ISSUE	DET	CHK	DATE
DCI METAL BUILDINGS			
CUSTOMER: PADEN DUNAGAN			
JOB NO: 8452	DATE: 2/ 2/24		
LOCATION: GAINESVILLE, GA 30501			
DRAWING NAME: FRAMING DETAILS			
DRAWING NO: PAGE 5.2	DESIGNER: CTW	CHECKED BY: SPW	SCALE: NONE

10.21.2024 - Item 7

Q3 DIAGONAL BRACE ROD, NUT END

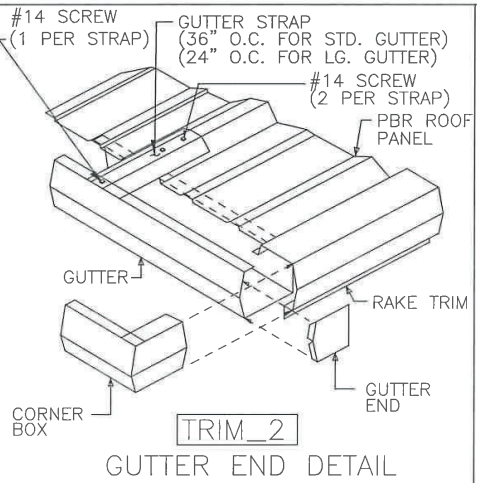


NOTE: WHEN FLUSH GIRTS/PURLINS ARE USED, FIELD SLOT GIRT/PURLIN AS REQ'D FOR CABLE/ROD PASSAGE THROUGH GIRT/PURLIN.

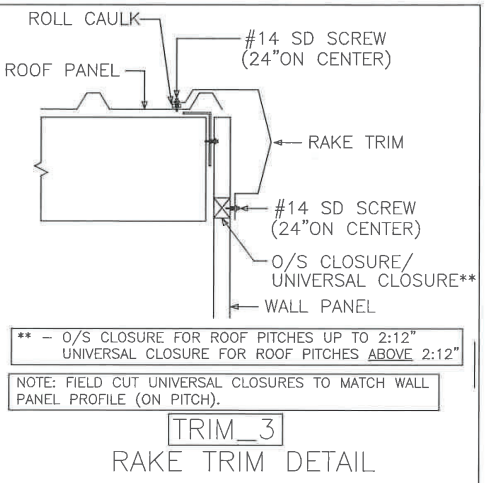


NOTE: INSTALL GUTTER STRAPS 3'-0" ON CENTER.
NOTE: INSTALL D'SPOUT STRAPS 5'-0" ON CENTER.

TRIM_1
GUTTER DETAIL



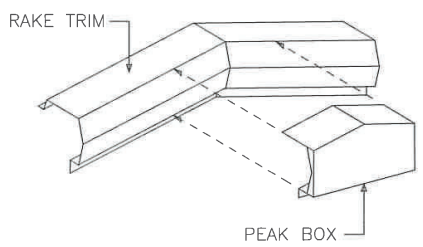
TRIM_2
GUTTER END DETAIL



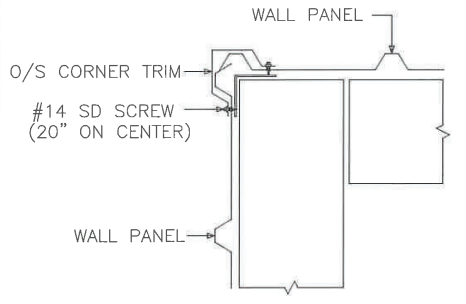
** - O/S CLOSURE FOR ROOF PITCHES UP TO 2:12" UNIVERSAL CLOSURE FOR ROOF PITCHES ABOVE 2:12"

NOTE: FIELD CUT UNIVERSAL CLOSURES TO MATCH WALL PANEL PROFILE (ON PITCH).

TRIM_3
RAKE TRIM DETAIL



TRIM_4
PEAK BOX DETAIL



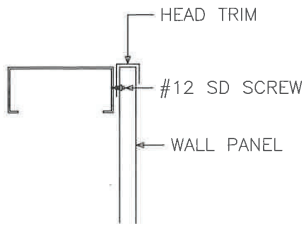
TRIM_5
O/S CORNER DETAIL



HORNET STEEL BUILDINGS, INC.
GA. COMP. #FD095160
EXPIRATION: 04/30/2024

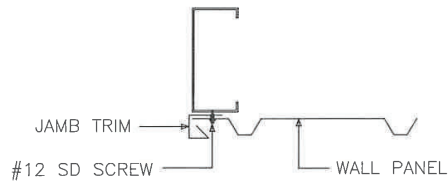
ISSUE	DET	CHK	DATE
DCI METAL BUILDINGS			
CUSTOMER: PADEN DUNAGAN			
JOB NO: 8452	DATE: 2/ 2/24		
LOCATION: GAINESVILLE, GA 30501			
DRAWING NAME: FRAMING DETAILS			
DRAWING NO: PAGE 5.3	DRAWN BY: CTW	CHECKED BY: SPW	SCALE: NONE

10.21.2024 - Item 7



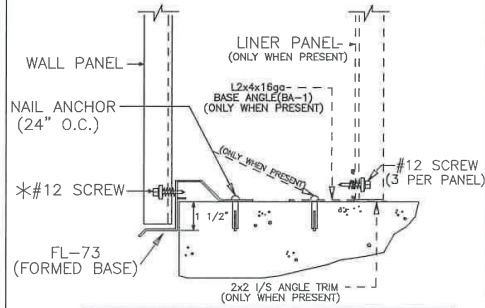
TRIM_7

HEAD TRIM DETAIL AT SILL



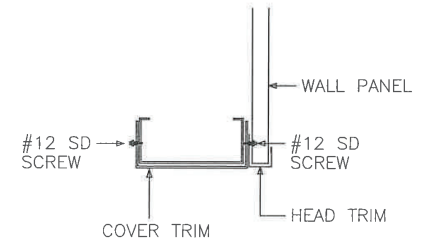
TRIM_8

JAMB TRIM DETAIL AT JAMB



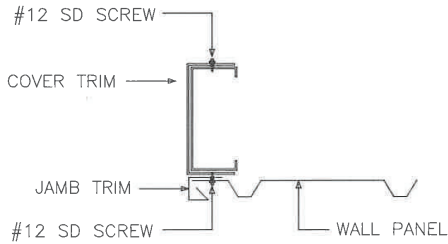
* = 6 PER PANEL FOR STANDARD PBR
3 PER PANEL FOR REV. ROLLED PBR

TRIM_9 FORMED BASE DETAIL



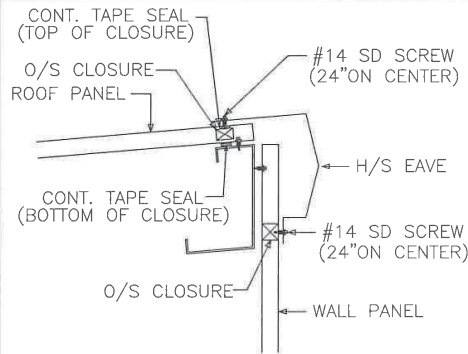
TRIM_10

COVER TRIM DETAIL AT HEADER



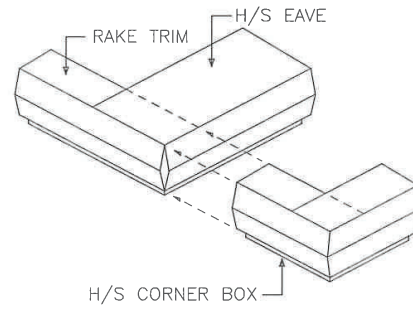
TRIM_11

COVER TRIM DETAIL AT JAMB



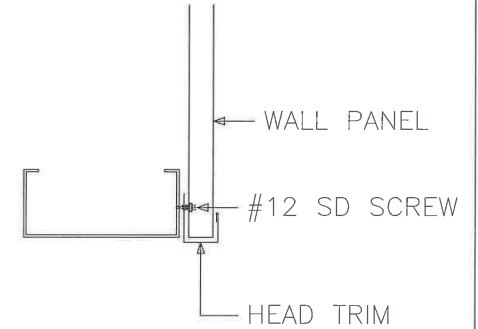
TRIM_14

H/S EAVE DETAIL



TRIM_15

H/S CORNER BOX DETAIL



TRIM_61

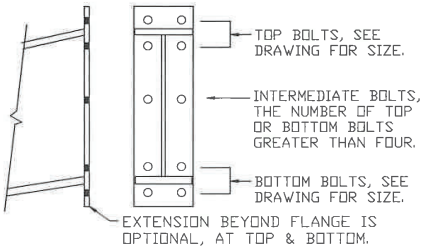
HEAD TRIM DETAIL AT HEADER



HORNET STEEL BUILDINGS, INC.	DRAWING NO:	PAGE	5.4	DESIGNER:	CTW	CHECKED BY:	SPW	SCALE:	NONE
GA. COMM. REG. NO. 0001160									
EXPIRATION DATE: 06/26/2024									

ISSUE	DET	CHK	DATE
DCI METAL BUILDINGS			
CUSTOMER: PADEN DUNAGAN			
JOB NO: 8452	DATE: 2/ 2/24		
LOCATION: GAINESVILLE, GA 30501			
DRAWING NAME: FRAMING DETAILS			

10.21.2024 - Item 7



BOLTED END PLATE CONNECTION

STRUCTURAL BOLTED CONNECTIONS

REFER TO COVER PAGE "GENERAL NOTES" PARAGRAPH "C", SECTION "9" FOR INSTRUCTIONS ON TIGHTENING ALL A325 AND A490 CONNECTION BOLTS.

TRIM NOTES:

- [1] SEAL TRIM SPLICES WITH TUBE CAULK.
- [2] SECURE GUTTER SPLICES AND END PLUGS WITH RIVETS.
- [3] SECURE ALL OTHER ROOF TRIM SPLICES WITH TRIM SCREWS UNLESS NOTED OTHERWISE.
- [4] TRIM SCREWS ARE LOCATED 24" ON CENTER UNLESS NOTED OTHERWISE.
- [5] STD. TRIM SPLICES ARE 3" TOTAL UNLESS NOTED OTHERWISE.

MORTISE PREPPED PERSONNEL DOORS

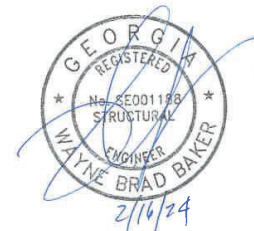
ALL MORTISE PREPPED PERSONNEL DOORS COME AS RIGHTHAND REVERSED SWING.

(i.e. STANDING ON THE OUTSIDE OF THE BUILDING FACING THE DOOR, THE LOCK WILL BE ON THE LEFTHAND SIDE OF THE DOOR AND THE DOOR WILL SWING OUTWARD FROM THE BUILDING.)

ANY FIELD MODIFICATIONS ARE THE RESPONSIBILITY OF THE ERECTOR AND MBM IS NOT LIABLE FOR LABOR CHARGES NOR DAMAGES DUE TO ERROR.

BUILT-UP MEMBER LEGEND

BEAM TYPE	BEAM DEPTH	FLANGE WIDTH	FLANGE THK.	WEB THK.
B	08	5	4	1
B= BUILT-UP	08= 8" 10= 10" 12= 12" 14= 14" ETC.	5, 6, 8, 10 OR 12 (INCHES)	MEASURED IN 16ths. (e.g. 1/4", 5/16" ETC.)	1= 10ga 3= 3/16" ETC.



ISSUE	DET	CHK	DATE

DCI METAL BUILDINGS

CUSTOMER: PADEN DUNAGAN

JOB NO: 8452 DATE: 2/ 2/24

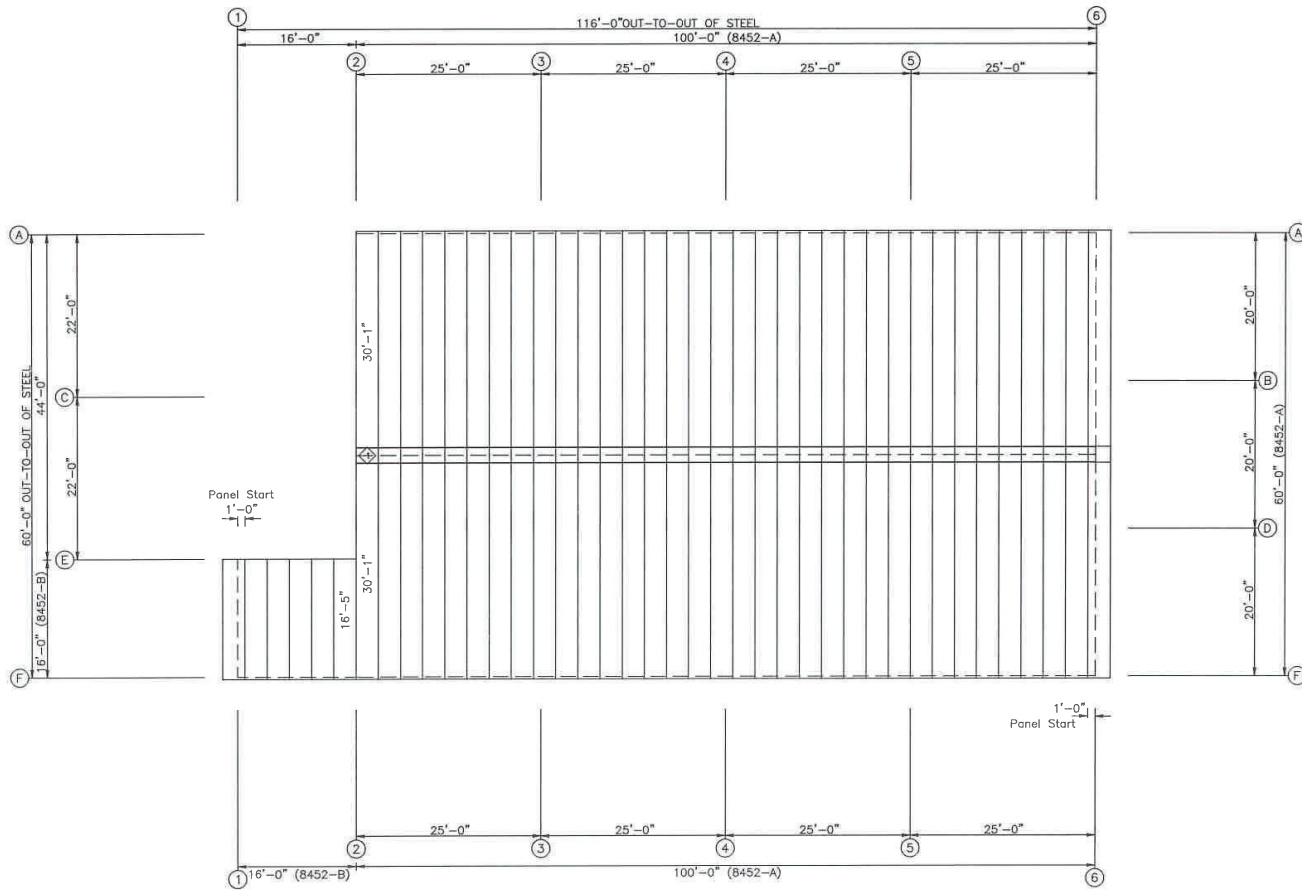
LOCATION: GAINESVILLE, GA 30501

DRAWING NAME: FRAMING DETAILS

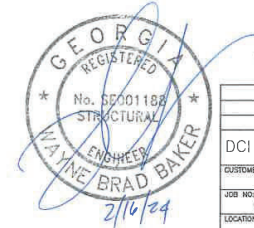
BORNET STEEL BUILDINGS, INC. GA COMP. PER006160 EXPIRATION: 05/30/2024	DRAWING NO: PAGE 5.5	DRAWN BY: CTW	CHECKED BY: SFPW	SCALE: NONE
--	----------------------	---------------	------------------	-------------

10.21.2024 - Item 7

TRIM TABLE		
ROOF PLAN		
∅ ID	PART	LENGTH
1	D/F CAP6	3'-0"



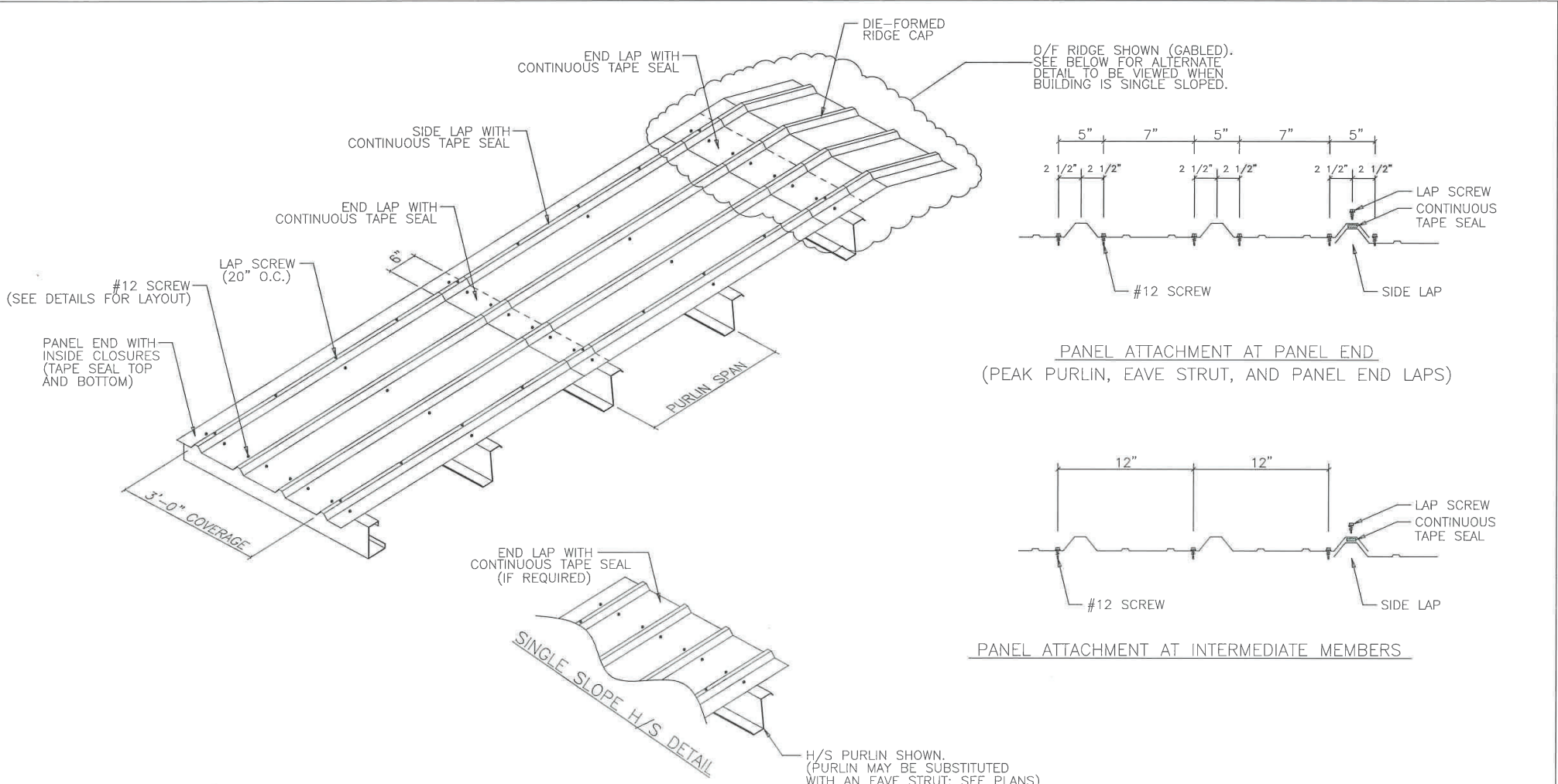
ROOF SHEETING PLAN
 PANELS: 26 GA. PBR - GALVALUME



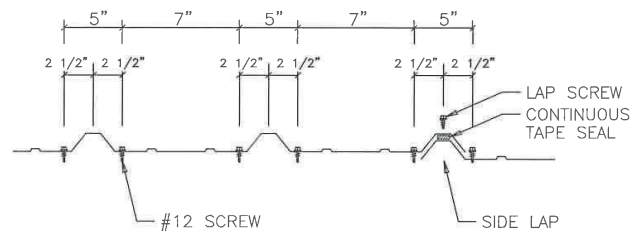
HORNET STEEL BUILDINGS, INC.
 GA. COMP. #P2008160
 EXPIRATION: 06/30/2024

ISSUE	DET	CHK	DATE
DCI METAL BUILDINGS			
CUSTOMER: PADEN DUNAGAN			
JOB NO: 8452	DATE: 2/ 5/24		
LOCATION: GAINESVILLE, GA 30501			
DRAWING NAME: ROOF PANELS & TRIM			
DRAWING NO: PAGE 6	DESIGN BY: CTW	CHECKED BY: SPW	SCALE: NONE

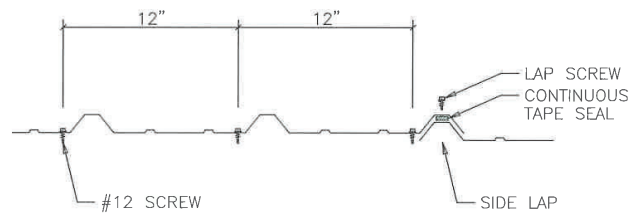
10.21.2024 - Item 7



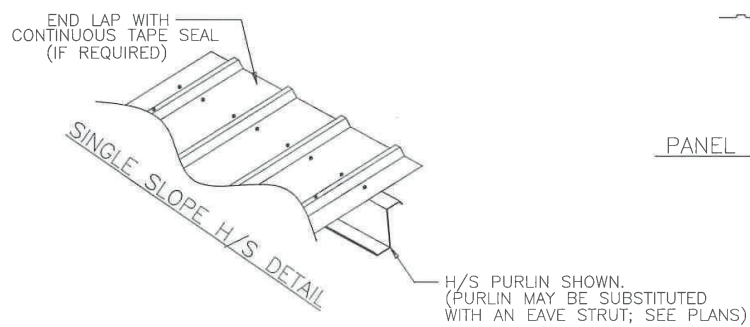
D/F RIDGE SHOWN (GABLED).
SEE BELOW FOR ALTERNATE
DETAIL TO BE VIEWED WHEN
BUILDING IS SINGLE SLOPED.



PANEL ATTACHMENT AT PANEL END
(PEAK PURLIN, EAVE STRUT, AND PANEL END LAPS)



PANEL ATTACHMENT AT INTERMEDIATE MEMBERS



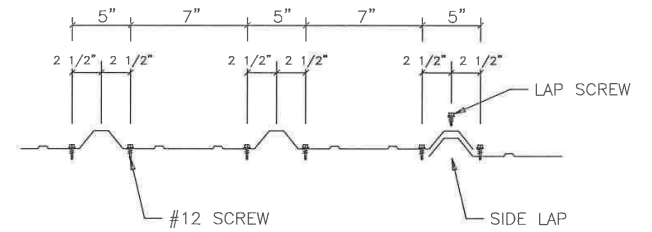
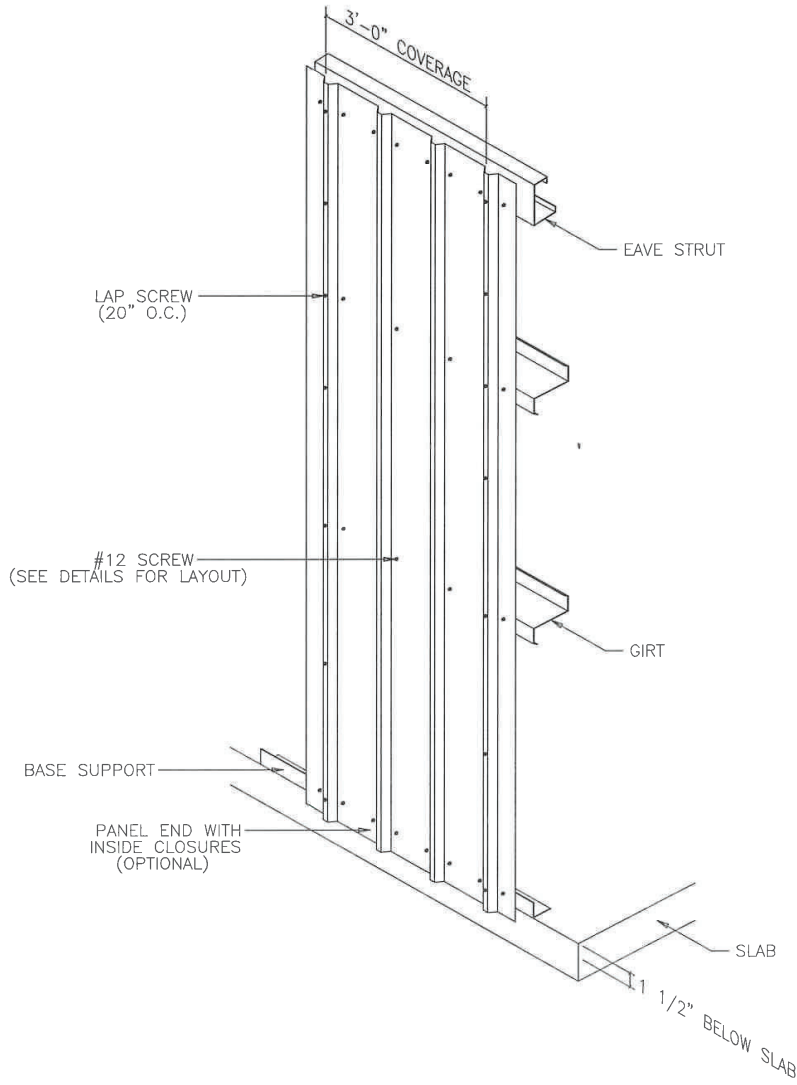
NOTES:

- [1] ALL END LAPS MUST BE A MINIMUM OF 6".
- [2] METAL SHAVINGS MUST BE SWEEPED FROM THE ROOF EACH DAY DURING ERECTION TO PREVENT SURFACE RUSTING.
- [3] TAPE SEAL MUST BE APPLIED WITH NO GAPS OR BREAKS.
- [4] #12 SCREWS ARE USED TO ATTACH THE PANEL TO THE PURLINS. #14 LAP SCREWS ARE USED AT THE PANEL-TO-PANEL ATTACHMENTS. ALL FASTENERS ARE SELF-DRILLING.

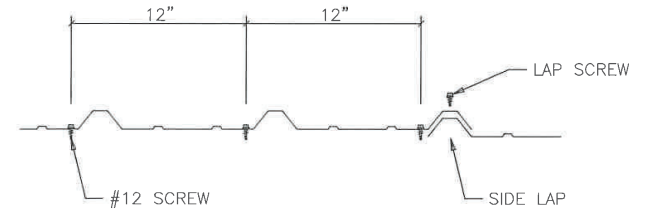


ISSUE	DET	CHK	DATE
DCI METAL BUILDINGS			
CUSTOMER:			
JOB NO:	8452		DATE:
LOCATION:	GAINESVILLE, GA 30501		
DRAWING NAME:			
ROOF PANEL DETAILS			
DRAWING NO:	PAGE 6.1	DRAWN BY:	CTW
CHECKED BY:	SPW	SCALE:	NONE

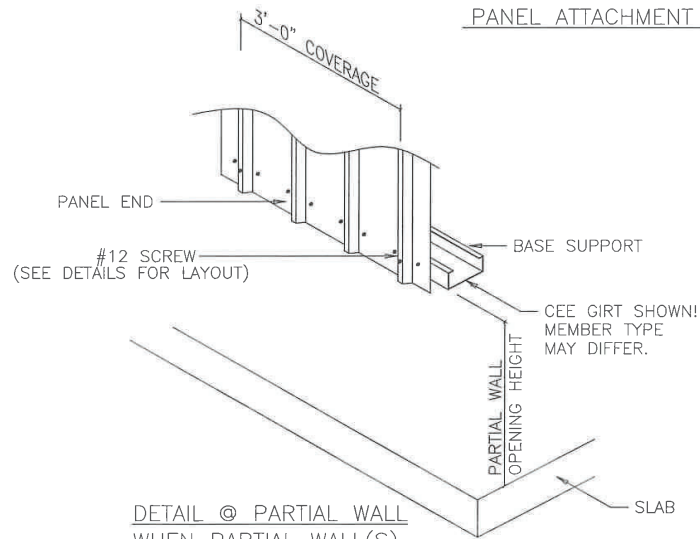
HORNET STEEL BUILDINGS, INC.
DCI CONF: PFD08169
EXPIRATION: 09/28/2024



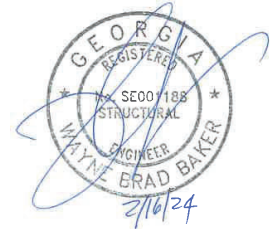
PANEL ATTACHMENT AT PANEL END
(BASE, EAVE STRUT, HEADER, SILL, AND PANEL END LAPS)



PANEL ATTACHMENT AT INTERMEDIATE MEMBERS



DETAIL © PARTIAL WALL
WHEN PARTIAL WALL(S)
ARE PRESENT

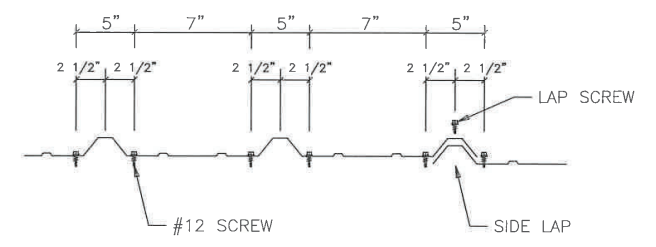
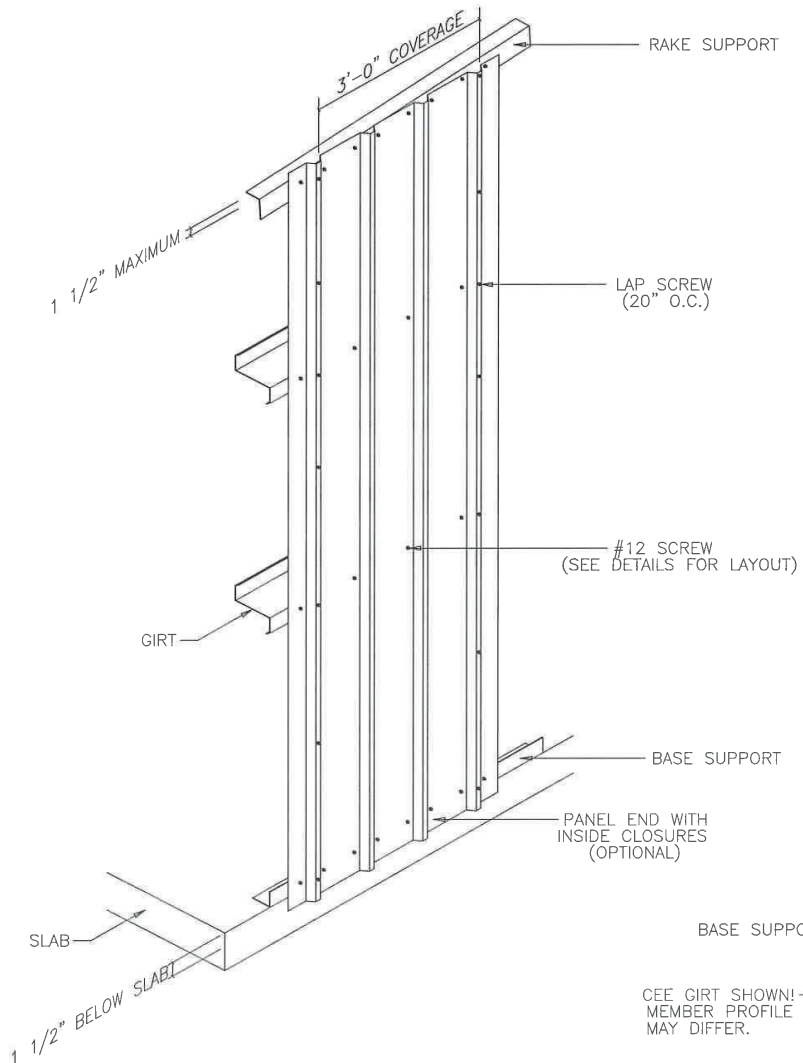


NOTES:

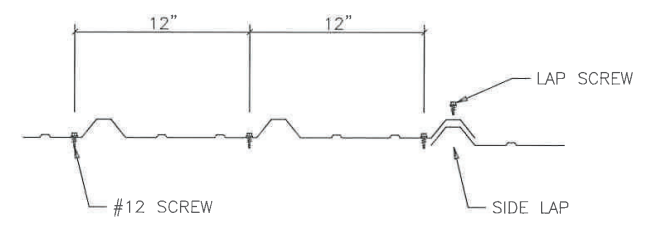
- [1] METAL SHAVINGS MUST BE SWEEPED FROM THE WALL EACH DAY DURING ERECTION TO PREVENT SURFACE RUSTING.
- [2] #12 SCREWS ARE USED TO ATTACH THE PANEL TO THE GIRTS. #14 LAP SCREWS ARE USED AT THE PANEL-TO-PANEL ATTACHMENTS. ALL FASTENERS ARE SELF-DRILLING.

HORNET STEEL BUILDINGS, INC.
GA. CORP. PER008180
EXPIRATION: 06/30/2024

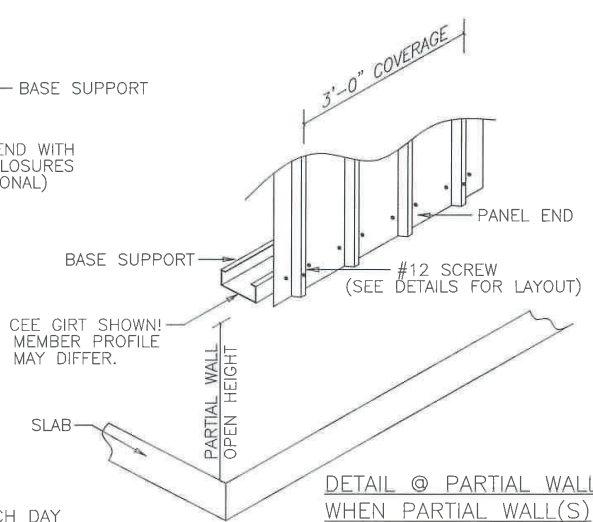
ISSUE	DET	CHK	DATE
DCI METAL BUILDINGS			
CUSTOMER:			
JOB NO. 8452	DATE: 2/ 2/24		
LOCATION: GAINESVILLE, GA 30501			
DRAWING NAME: SIDEWALL PANEL DETAILS			
DRAWING NO. PAGE 7	DESIGN BY: CTW	CHECKED BY: SPW	SCALE: NONE



PANEL ATTACHMENT AT PANEL END
(BASE, EAVE STRUT, HEADER, SILL, AND PANEL END LAPS)



PANEL ATTACHMENT AT INTERMEDIATE MEMBERS

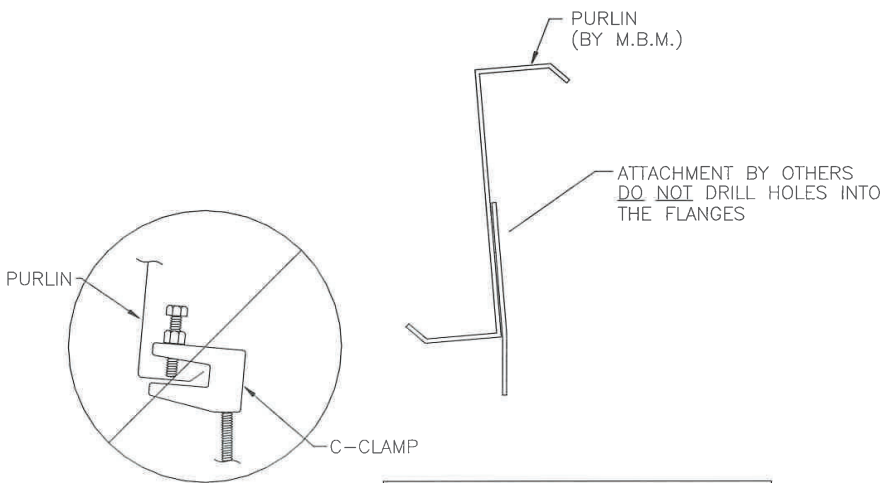


- NOTES:
- [1] METAL SHAVINGS MUST BE SWEEPED FROM THE WALL EACH DAY DURING ERECTION TO PREVENT SURFACE RUSTING.
 - [2] #12 SCREWS ARE USED TO ATTACH THE PANEL TO THE GIRTS. #14 LAP SCREWS ARE USED AT THE PANEL-TO-PANEL ATTACHMENTS. ALL FASTENERS ARE SELF-DRILLING.



ISSUE	DET	CHK	DATE
DCI METAL BUILDINGS			
CUSTOMER:			
JOB NO:	8452		DATE: 2/ 2/24
LOCATION: GAINESVILLE, GA 30501			
DRAWING NAME: ENDWALL PANEL DETAILS			
DRAWING NO:	PAGE 8	DRAWN BY: CTW	CHECKED BY: SPW
SCALE: NONE			

HORNET STEEL BUILDINGS, INC.
GA. CORP. PER000180
EXPIRATION: 05/31/2024



NOTE: M.B.M. only provides the roof purlin. All other material and hardware is by others.

Recommended Connection Detail

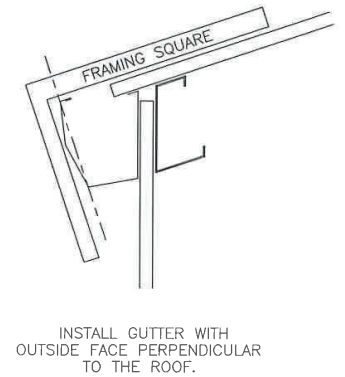
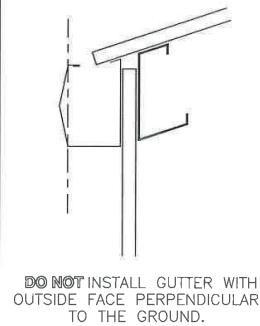
NOTE

MANY FACTORS BEYOND THE CONTROL OF THE METAL BUILDING SUPPLIER AFFECT THE ABILITY OF A PURLIN TO SAFELY SUPPORT HANGING LOADS COMBINED WITH OTHER REQUIRED ROOF LOADS. DUE TO THE VARIABLES INVOLVED IN HANGING LOADS AND THEIR ATTACHMENTS TO THE PURLINS, THE METAL BUILDING SUPPLIER CANNOT ASSURE THAT THE PURLINS FOR A PARTICULAR BUILDING PROJECT CAN SAFELY SUPPORT THE MAXIMUM ALLOWABLE HANGING LOADS IN COMBINATION WITH OTHER ROOF LOADS.

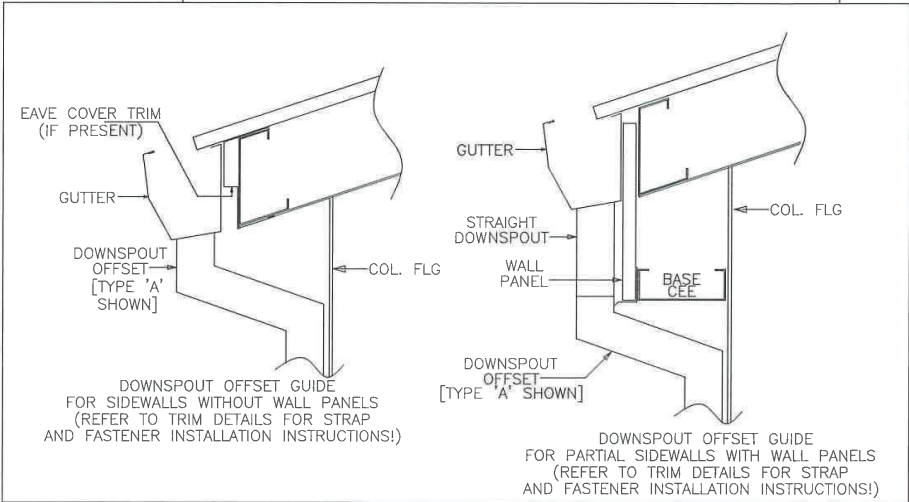
IT IS THE RESPONSIBILITY OF THE HANGER SYSTEM INSTALLER TO COORDINATE WITH THE ENGINEER OF RECORD FOR THE OVERALL PROJECT TO ENSURE A SAFE HANGING LOAD INSTALLATION. THE METAL BUILDING ENGINEER IS NOT THE ENGINEER OF RECORD FOR THE OVERALL PROJECT. WITHOUT SPECIFIC CERTIFICATION FOR INDIVIDUAL HANGING LOADS, THE NET EFFECTS OF APPLIED HANGER LOADS INSTALLED ON A PARTICULAR PURLIN SHALL NOT EXCEED THE NET EFFECTS OF THE CERTIFIED UNIFORMLY APPLIED DESIGN COLLATERAL LOAD.

HANGING LOADS SHOULD NOT BE APPLIED TO THE PURLIN LIP. WHERE PERMISSIBLE, THE BEST PRACTICE FOR HANGING LOADS IS TO ATTACH TO THE PURLIN WEB USING A BOLT AND NUT, OR SELF-DRILLING SCREWS.

HANGING UNIFORM LOADS SUCH AS SPRINKLER MAINS OR HVAC EQUIPMENT SHOULD BE DISTRIBUTED OVER SEVERAL PURLINS, AND SHOULD NEVER EXCEED THE COLLATERAL LOAD ALLOWANCE FOR THE ROOF SYSTEM. FOR UNIFORM LOADS THAT RUN PARALLEL TO THE PURLINS, IT MAY BE NECESSARY TO USE TRANSVERSE SUPPORT CHANNELS (A.K.A. TRAPEZE BEAMS) ATTACHED TO THE WEBS OR FLANGES OF ADJACENT PURLINS TO SPREAD THE LOAD BETWEEN TWO OR MORE PURLINS. IN SUCH CASES, CONTACT THE BUILDING MANUFACTURER OR A LOCAL PROFESSIONAL ENGINEER PRIOR TO ATTEMPTING TO HANG LOADS FROM THE PURLINS



GUTTER INSTALLATION DETAIL
(ONLY IF PROVIDED)



ISSUE	DET	CHK	DATE
DCI METAL BUILDINGS			
CUSTOMER:			
JOB NO:	8452		DATE: 2/ 2/24
LOCATION: GAINESVILLE, GA 30501			
DRAWING NAME: SPECIAL DETAILS			
DRAWING NO:	PAGE 9	DRAWN BY: CTW	CHECKED BY: SPW
SCALE: NONE			

HEPNET STEEL BUILDINGS, INC.
GA CONF. PER001180
EXPIRATION: 06/30/2024

10.21.2024 - Item 7