



Hall County Government  
FINANCIAL SERVICES

**MEMORANDUM**

To: Board of Commissioners  
From: Debra Howington, Buyer  
Date: May 25, 2022  
Re: E.R. Snell Contractors Inc.

POST OFFICE DRAWER 1435  
GAINESVILLE, GA 30503

t: 770.535.8270 | f: 770.531.6711

DIRECTOR  
Wesley Geddings

Hall County Engineering Department is seeking approval to procure the services of E.R. Snell Contractors Inc. of Snellville, GA for the replacement of culvert pipe under Cagle Mill Road R/W at approximately 4825 Cagle Mill Road. The work will include mobilization, maintenance of traffic and site restoration. This task order is a part of bid #39-018, Demand Services for On-Call Public Works Contractors. E.R. Snell was the only vendor in the pool to respond. The total cost of the project is \$182,545.00. The funding source is 1816-5009-028-1816-5009 for SP-VIII Culvert Replace – Infrastructure.

If you have any questions, please contact the Purchasing Dept.

REQUESTED 04/25/22 REQUIRED

\*APPROVAL GRP\* 1816 SP-VIII CULVERT REPLACE

BUYER JORGE GOMEZ

SHIP TO 136 HALL COUNTY ENGINEERING DEPART 3RD FLOOR 2875 BROWNS BRIDGE ROAD GAINESVILLE, GA 30504 ATTN: BILL NASH

VENDOR 00014032 ER SNELL CONTRACTOR INC P.O. BOX 306 1785 OAK ROAD SNELLVILLE GA 30078

FREIGHT

LN/ST	COMMODITY	STOCK NO	QUANTITY	UOM	UNIT PRICE	EXTENSION/ TAX/TRADE-IN
01	A CULVERT PIPE REPLACEMENT UNDER CAGLE MILL ROAD R/W AT APPROXIMATELY 4825 CAGLE MILL ROAD		1.00	LOT	182,545.0000	182,545.00
						0.00
						0.00
					TOTAL PRICE	182,545.00
	DEPARTMENT	ACCOUNT	PROJECT	ACCOUNT	CHARGE AMOUNT	
	1816	5009	028-1816	5009	182,545.00	
				REQUISITION TOTAL		182,545.00

RECEIVED MAY 03 2022

## Jorge Gomez (Engineering)

---

**From:** Jorge Gomez (Engineering)  
**Sent:** Thursday, April 14, 2022 10:52 AM  
**To:** 'rgriffin@ersnell.com'  
**Cc:** Frank Miller (Engineering)  
**Subject:** Cagle Mill Road Drainage Pipe Replacement - Proposal Request  
**Attachments:** CagleMillRd\_Master-Layout1.pdf

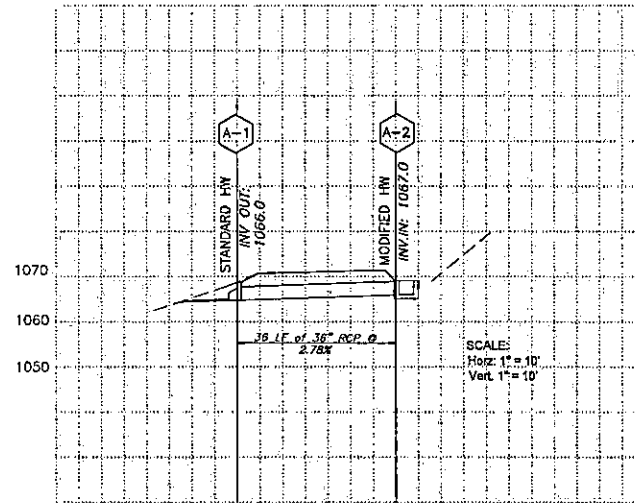
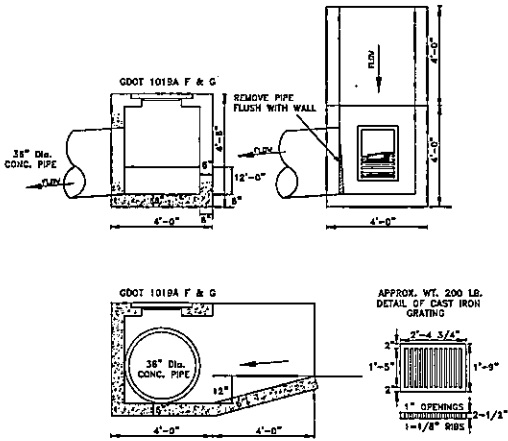
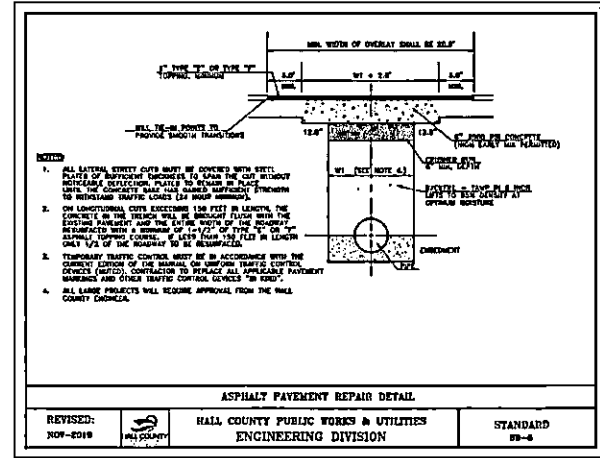
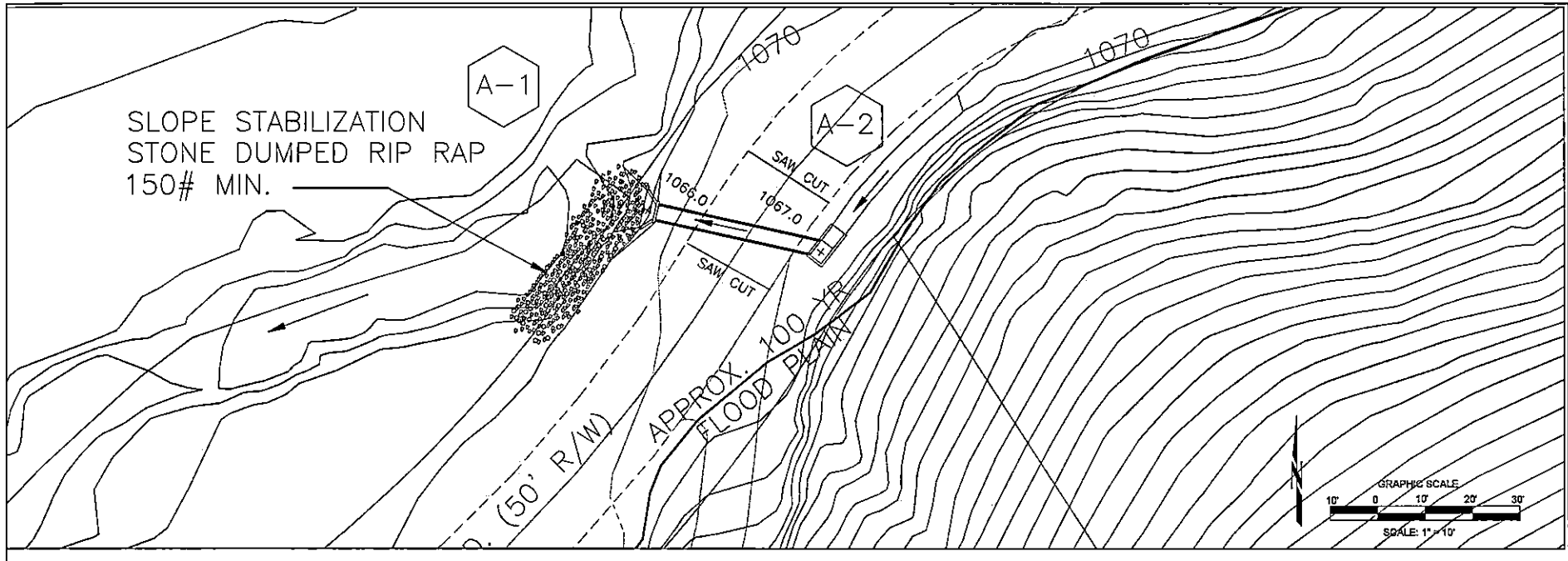
Good morning Mr. Griffin,

We would like to request a proposal for the repair as shown on the attached please. The proposal should include mobilization, maintenance of traffic, and site restoration. Please provide your proposal by Friday, 4/22.

Please advise if there are any questions.

Respectfully,  
Jorge A. Gomez, P.E.  
Hall County – Assistant County Engineer  
Department of Public Works  
Engineering Division  
2875 Browns Bridge Road  
Gainesville, Georgia 30503





ENGINEERING DIVISION  
HALL COUNTY DEPARTMENT  
OF PUBLIC WORKS  
P.O. DRAWER 1435  
GAINESVILLE, GA 30503  
Phone: 770-531-6800



CAGLE MILL ROAD  
DRAINAGE PIPE FAILURE  
HALL COUNTY, GEORGIA

NO.	REVISION	DATE
1	ISSUED FOR CONSTRUCTION	10/29/21

DRAWN BY: F. MILLER  
CHECKED BY:  
DATE:



LEVEL BAS. CERT. # 12345  
EX. DATE 02-18-2024



April 19, 2022

Hall County – Department of Public Works  
2875 Browns Bridge Road  
Gainesville, GA 30503

ATTN: Jorge Gomez, P.E., Asst. County Engineer

RE: Hall County – Cagle Mill Rd Pipe Replacement Project  
Price Quotation/Bid

Dear Mr. Gomez

E.R. Snell Contractor, Inc. is pleased to offer a bid on the Cagle Mill Rd pipe replacement project. The price is based on the plan sheet provided by Hall Co. and is lump sum for a total amount of \$165,950.00. Our price includes the following:

- Furnish & Install 36 LF of 36" RCP
- Catch Basin & Headwall on inlet & outlet ends of the pipe
- Excavation & Backfill
- Rip Rap & Plastic Filter Fabric
- Traffic Control
- Erosion Control & Grassing
- Restoration of Paving

QC testing or CEI is not included in our bid.

If you have any questions, please do not hesitate to contact me.

Sincerely,

Randy Griffin, P.E.  
Sr. Vice President  
E.R. Snell Contractor, Inc.

E. R. Snell Contractor, Inc.

[www.ersnell.com](http://www.ersnell.com) | [770.985.0600](tel:770.985.0600) | [1785 Oak Road, Snellville, GA 30078](https://www.google.com/maps/place/1785+Oak+Road,+Snellville,+GA+30078)

## Jorge Gomez (Engineering)

---

**From:** Jorge Gomez (Engineering)  
**Sent:** Thursday, April 14, 2022 10:55 AM  
**To:** 'bruce@griffinbrothersinc.com'  
**Cc:** Frank Miller (Engineering)  
**Subject:** Cagle Mill Road Drainage Pipe Replacement - Proposal Request  
**Attachments:** CagleMillRd\_Master-Layout1.pdf

Good morning Mr. Griffin,

We would like to request a proposal for the repair as shown on the attached please. The proposal should include mobilization, maintenance of traffic, and site restoration. Please provide your proposal by Friday, 4/22.

Please advise if there are any questions.

Respectfully,  
Jorge A. Gomez, P.E.  
Hall County – Assistant County Engineer  
Department of Public Works  
Engineering Division  
2875 Browns Bridge Road  
Gainesville, Georgia 30503



## Jorge Gomez (Engineering)

---

**From:** Jorge Gomez (Engineering)  
**Sent:** Friday, April 15, 2022 7:45 AM  
**To:** 'David Hammond'  
**Cc:** Frank Miller (Engineering)  
**Subject:** RE: Cagle Mill Road Drainage Pipe Replacement - Proposal Request  
**Attachments:** CagleMillRd\_Master-Layout1.pdf

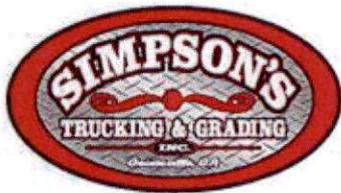
Good morning David – Apologies, please see attached.

---

**From:** David Hammond <dhammond@simpsontrucking.com>  
**Sent:** Thursday, April 14, 2022 2:46 PM  
**To:** Jorge Gomez (Engineering) <jorge.gomez@hallcounty.org>  
**Cc:** Frank Miller (Engineering) <fmiller@hallcounty.org>  
**Subject:** RE: Cagle Mill Road Drainage Pipe Replacement - Proposal Request

CAUTION: This email originated from outside of the organization. Do not click links or open attachments unless you recognize the sender and know the content is safe.

Jorge,  
Nothing was attached to the email.  
thanks



**David Hammond** | Chief Estimator  
Simpson Trucking & Grading, Inc.  
1364 Candler Road | Gainesville, Georgia 30507  
O:770-536-4731 ext 232 / M:678-858-9769 / F:770-503-0289

---

**From:** Jorge Gomez (Engineering) <[jorge.gomez@hallcounty.org](mailto:jorge.gomez@hallcounty.org)>  
**Sent:** Thursday, April 14, 2022 10:56 AM  
**To:** David Hammond <[dhammond@simpsontrucking.com](mailto:dhammond@simpsontrucking.com)>  
**Cc:** Frank Miller (Engineering) <[fmiller@hallcounty.org](mailto:fmiller@hallcounty.org)>  
**Subject:** Cagle Mill Road Drainage Pipe Replacement - Proposal Request

Good morning Mr. Hammond,

We would like to request a proposal for the repair as shown on the attached please. The proposal should include mobilization, maintenance of traffic, and site restoration. Please provide your proposal by Friday, 4/22.

Please advise if there are any questions.

Respectfully,  
Jorge A. Gomez, P.E.  
Hall County – Assistant County Engineer  
Department of Public Works  
Engineering Division  
2875 Browns Bridge Road  
Gainesville, Georgia 30503

