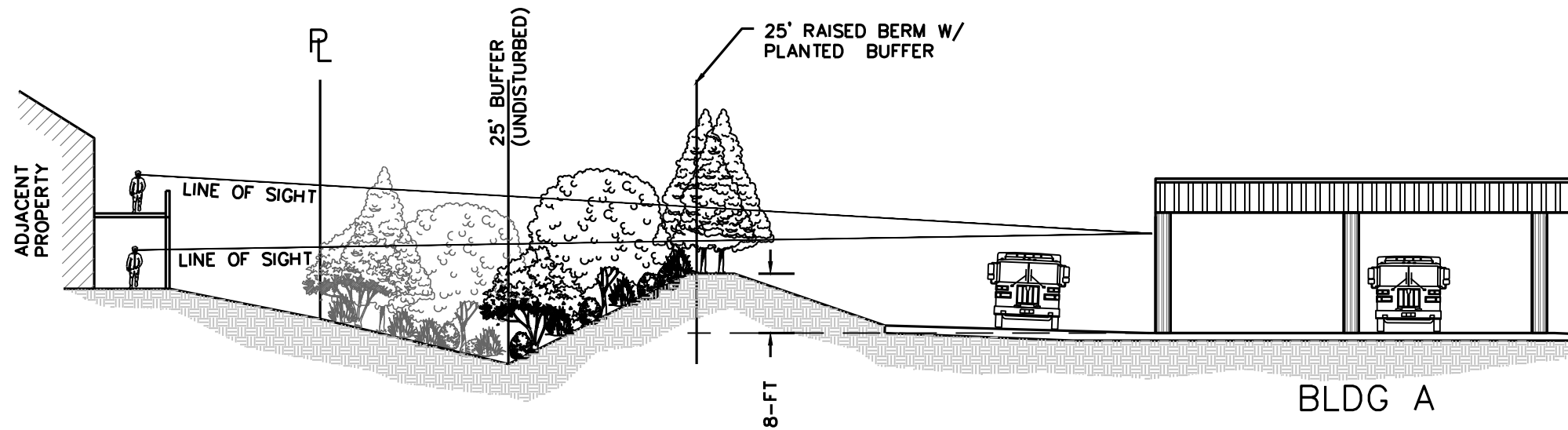
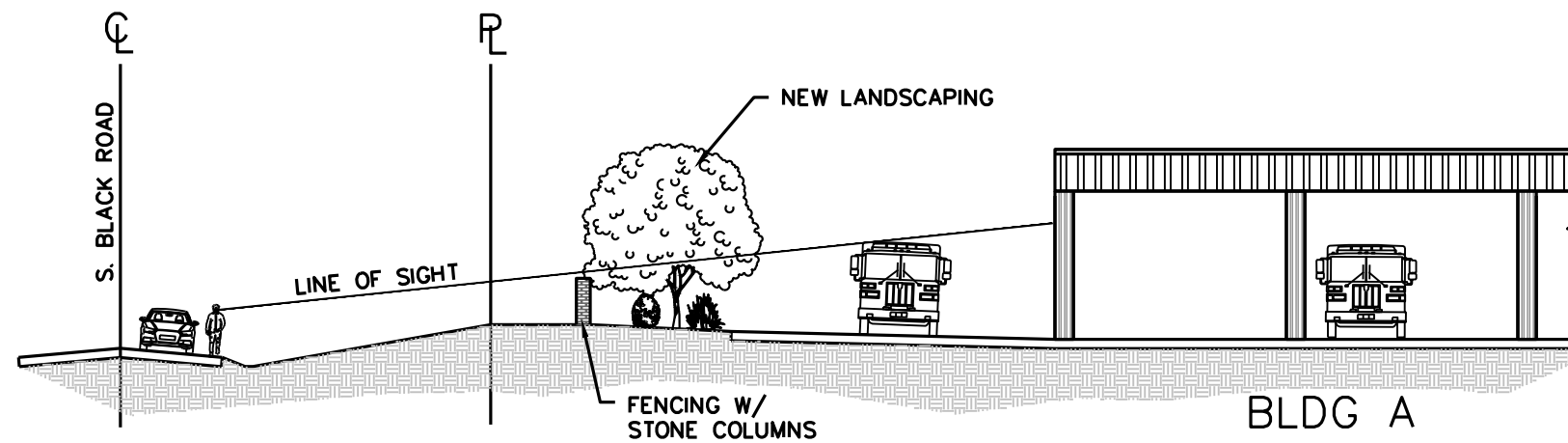


SIGHT LINE "A" PROFILE (HWY 129)

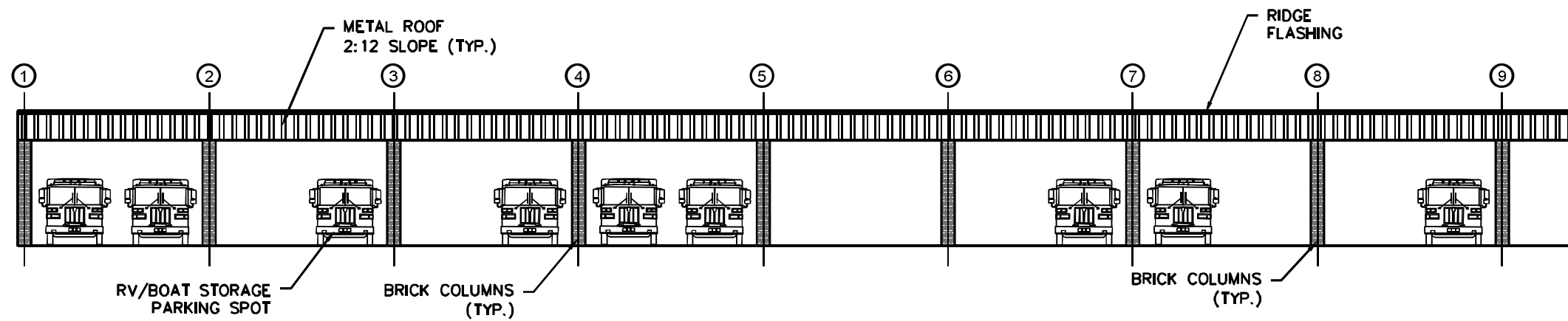


SIGHT LINE "B" PROFILE (NORTHEAST RESIDENCES)

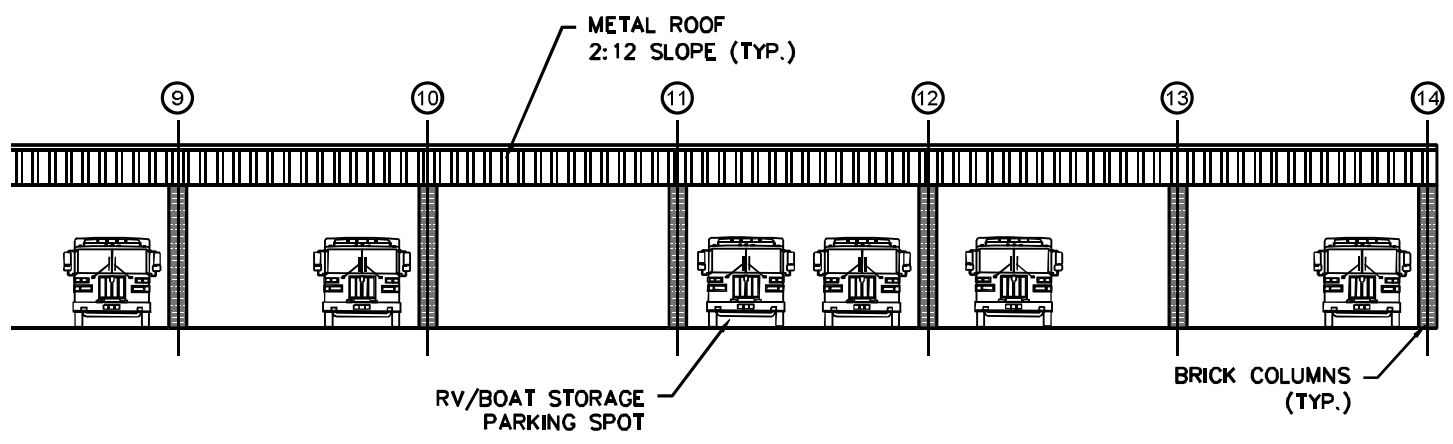


SIGHT LINE "C" PROFILE (S. BLACK ROAD)

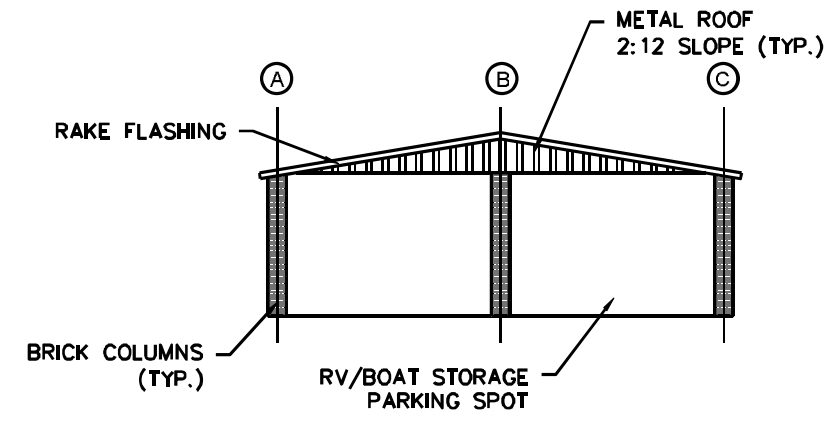
SNYDER BOAT & RV STORAGE



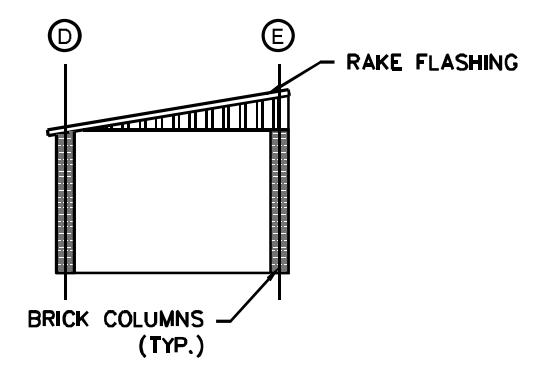
NORTH/SOUTH ELEVATION BLDG "A & B"



NORTH/SOUTH ELEVATION BLDG "A & B"

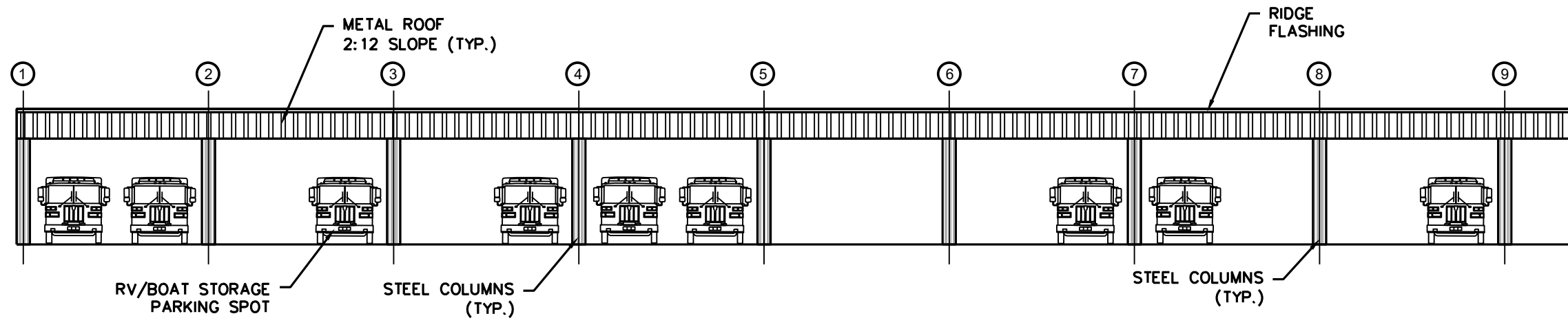


EAST/WEST ELEVATION
BLDG "A & B"

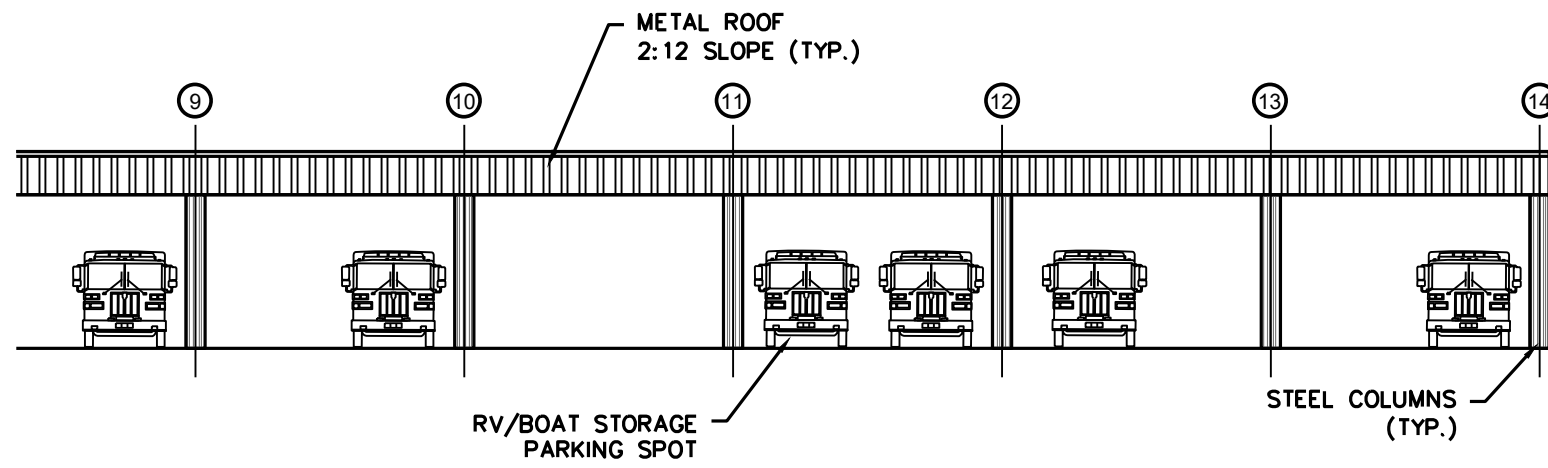


EAST/WEST ELEVATION
BLDG "C"

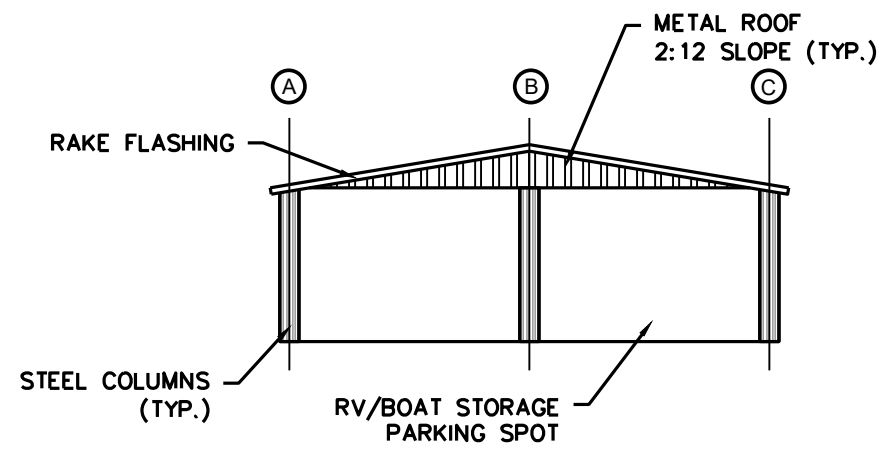
**SNYDER BOAT
& RV STORAGE**



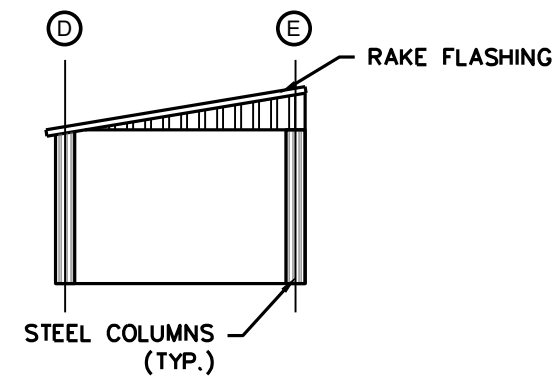
NORTH/SOUTH ELEVATION BLDG "A & B"



NORTH/SOUTH ELEVATION BLDG "A & B"



EAST/WEST ELEVATION
BLDG "A & B"



EAST/WEST ELEVATION
BLDG "C"

**SNYDER BOAT
& RV STORAGE**