

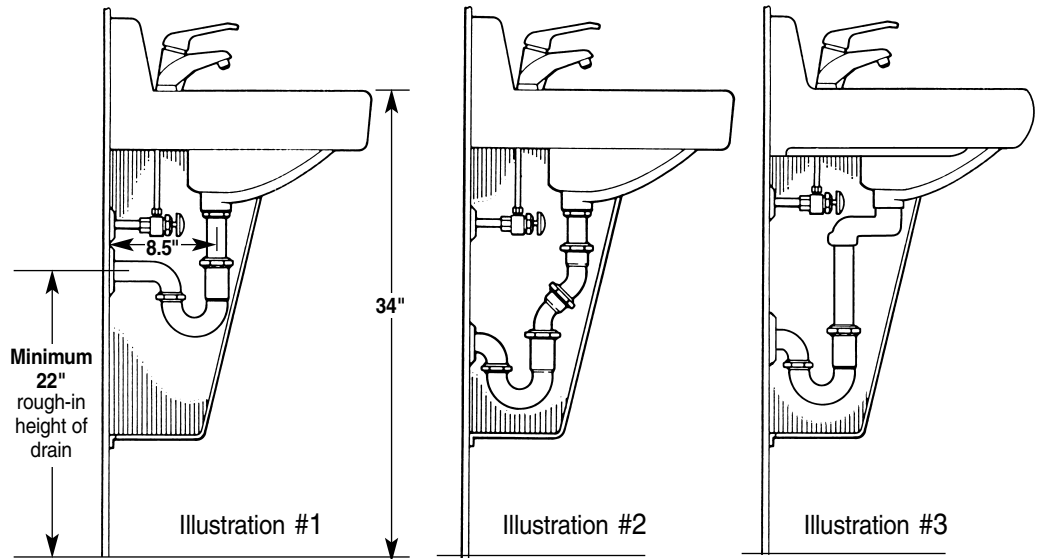
Standard Installation:

The Lav Shield is designed to be used in combination with ADA conforming 20" x 18" wall-hung china lavatories with waste outlets a maximum of 8.5" from wall (Illustration #1).

IMPORTANT: A recommended height of 22 inches from floor is best for waste drain rough-in to allow for P-trap clearance (Illustration #1).

Installation Variations:

If drain rough-in is less than 22" from floor or P-trap interferes with slanted front surface of Lav Shield, complete installation by flexing Lav Shield into place (for minor interference) or modify drain piping with offset tailpiece piping as shown in Illustration #2 or #3.



Installation Note: Depending on the make and model of the lavatory, some scribing and coping may be required for satisfactory fit to underside of lavatory. Pre-cut Lav Shields are cut to fit various lavatory models, field adjustments may be needed for exact fit.

Installation of the Lav Shield:

Pre-cut Model Installation – begin at step 4
Standard Field Fit Installation – steps 1-6

1. Position the Lav Shield centered and square to underside of lavatory as high as possible. Temporarily affix to wall with 2" tape (duct, masking, packaging, etc.). If the Lav Shield has a custom finish, use masking tape along the cutting edge or on the bottom of the jigsaw.
2. Using the pencil compass provided, carefully hold compass so the pencil tip and compass point are 90° to the floor at all times (Illustration #4). Scribe cut line on Lav Shield where material needs to be cut away for proper fit.

3. Using a Jigsaw, equipped with a 14 Teeth Per Inch (TPI) Ground Reverse Set Blade, carefully cut to line and file smooth if needed. (Illustration #5). If masking tape was applied for protection of a custom finish, remove it slowly at an angle to ensure no finish is peeled off. A rotary file drill attachment may also be used to fit contour.
4. Once satisfactory fit is obtained, position Lav Shield and mark anchor holes for fastening.
5. Drill 3/16" holes for anchors and screw Lav Shield into place. (T-15 Torx driver for security fasteners.)
6. If needed, caulk along top edge.

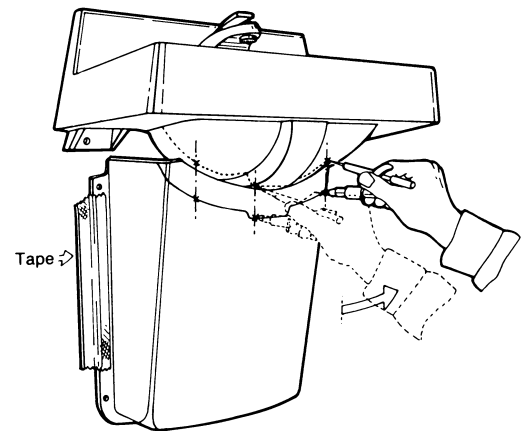


Illustration #4

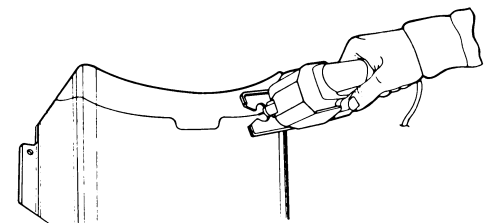


Illustration #5

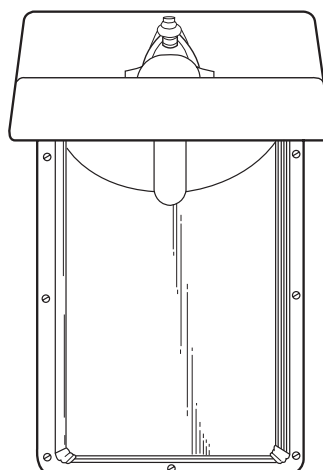
Truebro Warranty

Truebro warrants its products against defective material and manufacture (but not defective installation) for one year after installation. Truebro's liability under this warranty shall be limited to the repair or replacement of the defective product. There shall be no other remedy available, including without limitation, recovery for incidental or consequential damages, injury to person or property, or any other incidental or consequential loss.

The warranty described above shall be IN LIEU OF any other warranty, express or implied, including without limitation, any implied warranty of MERCHANTABILITY or fitness for a particular purpose.

Some states do not allow the exclusion or limitation on the period of warranty or incidental or consequential damages, so the above limitations may not apply to you.

Finished Installation



202 INDUSTRIAL PARK LANE
COLLIERVILLE, TN 38017
800-888-8312 | IPSCORP.COM