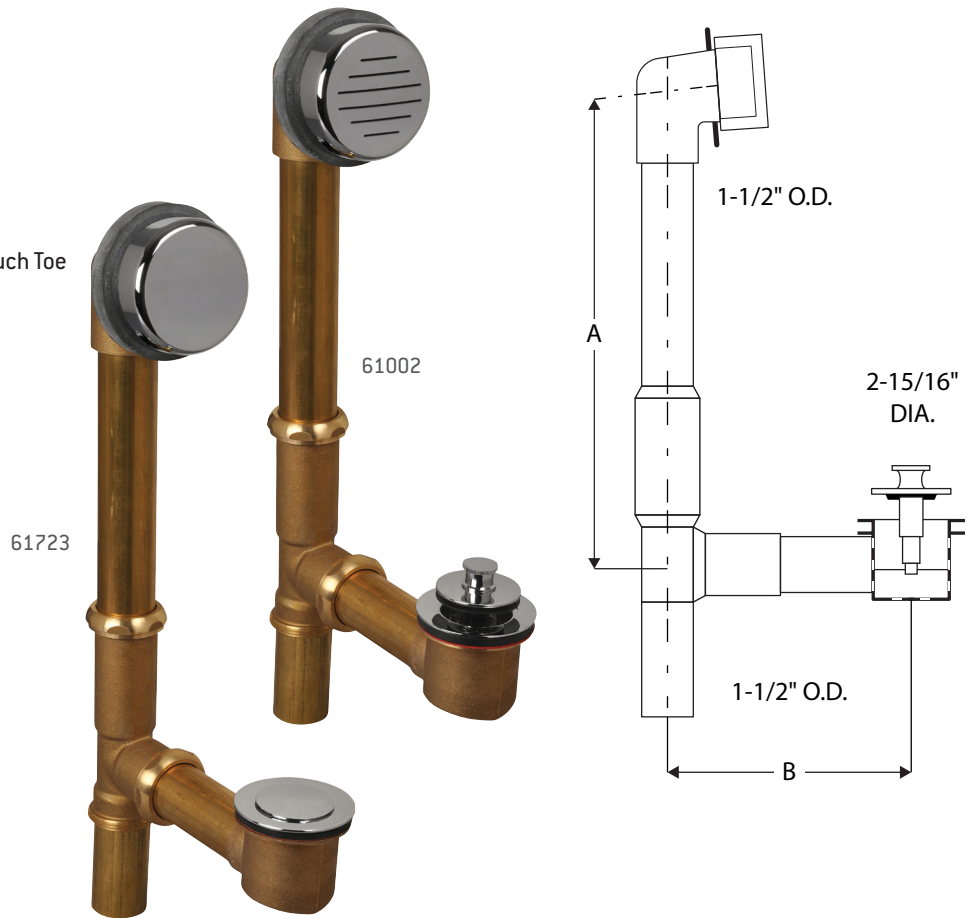




Tubular Brass Waste and Overflow Classic Overflow Plate with Test Kit

SPECIFICATIONS

- 17GA or 20GA Tubular Brass
- Classic High-flow or Solid Overflow Plate
- Test Kit Included
- Brass Strainer
- Brass Slip Nuts
- Brass Ferrules Available Upon Request
- Chrome Finish
- Stopper Styles: Push eN Lift, Turn Top or Touch Toe (Touch Toe is ADA Compliant)



Select Part# Below for Style/Size/Finish of Product Specified:

Part #	Model #	Material	Overflow Plate	Stopper	Dim. A (inches)		Dim. B (inches)	
					Min.	Max.	Min.	Max.
61002	ABA14506HF	20Ga Brass	High-flow	Push eN Lift	12-9/16"	15-3/16"	6-1/16"	7-1/2"
61003	ABA1450617GAHF	17Ga Brass	High-flow	Push eN Lift	12-9/16"	15-3/16"	6-1/16"	7-1/2"
61004	ABA1450817GAHF	17Ga Brass, XL	High-flow	Push eN Lift	20-9/16"	23-3/16"	11-1/16"	12-1/2"
61191	ABA14518HF	20Ga Brass	High-flow	Turn Top	12-9/16"	15-3/16"	6-1/16"	7-1/2"
61192	ABA1451817GAHF	17Ga Brass	High-flow	Turn Top	12-9/16"	15-3/16"	6-1/16"	7-1/2"
61193	ABA1421HF	20Ga Brass, XL	High-flow	Turn Top	20-9/16"	23-3/16"	11-1/16"	12-1/2"
64502	ABA14511SHF	20Ga Brass, XL	High-flow	Touch Toe	20-9/16"	23-3/16"	11-1/16"	12-1/2"
61638	ABA1451117GASHF	17Ga Brass	High-flow	Touch Toe	12-9/16"	15-3/16"	6-1/16"	7-1/2"
61723	ABA145117GACSO	17Ga Brass	Solid	Touch Toe	12-9/16"	15-3/16"	6-1/16"	7-1/2"
64519	ABA1451517GASHF	17Ga Brass, XL	High-flow	Touch Toe	20-9/16"	23-3/16"	11-1/16"	12-1/2"

