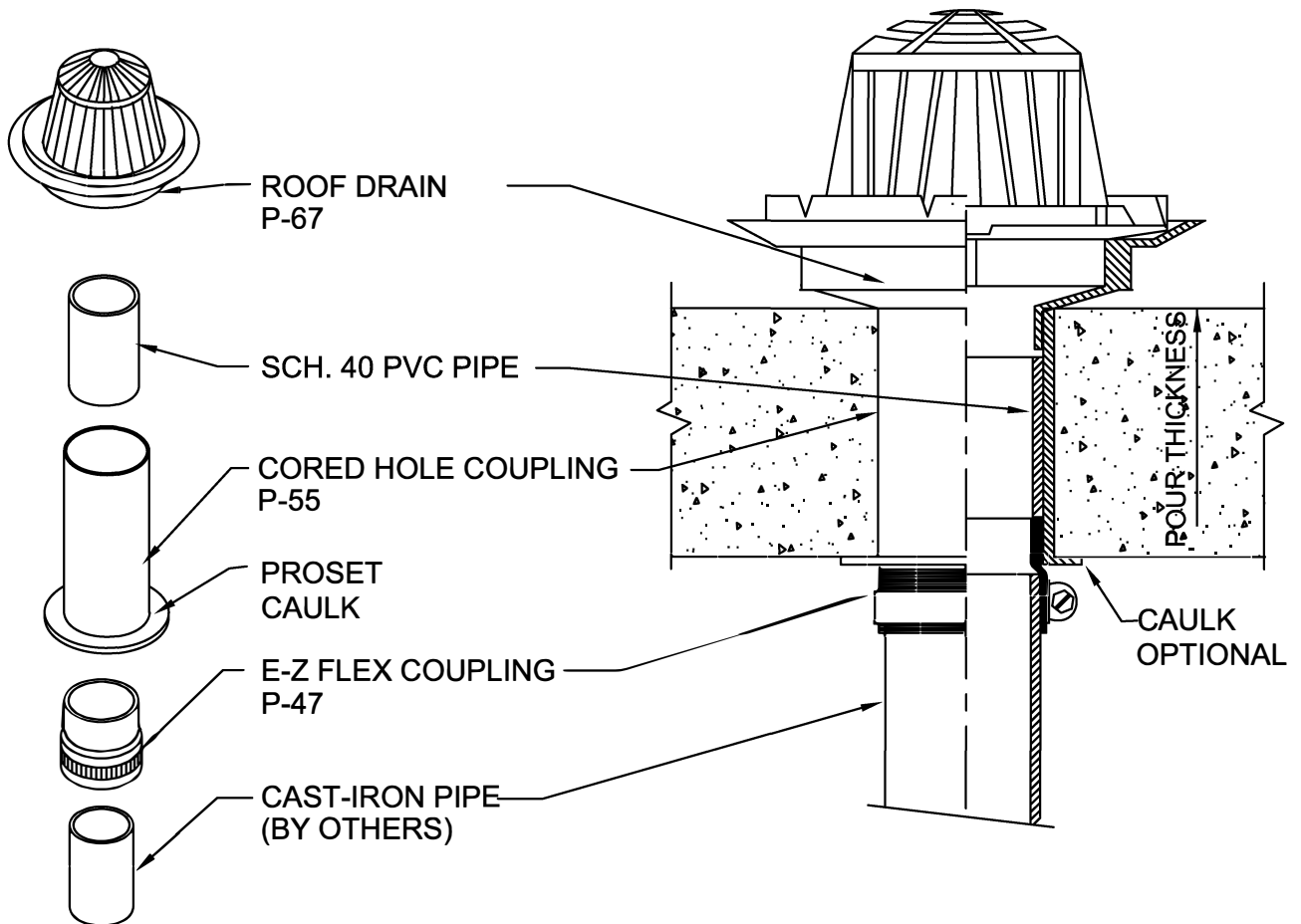


ROOF DRAIN FITTING ASSEMBLY

PRECAST CONCRETE OR EXISTING CONCRETE



IMPORTANT NOTES :

1. Core a 3" hole for a 2" drain, a 4" hole for a 3" drain and a 5" hole for a 4" Roof Drain.
2. Install a bead of ProSet Caulk around the coupling flange for optional waterproofing.
3. Insert the cored hole coupling into the cored hole from the bottom.
4. Insert & solvent weld the Roof Drain into the top of coupling with allowance for built-up roofing.
- * 5. Insert & solvent weld the E-Z Flex into the bottom of the coupling
6. Connect the cast iron pipe into the E-Z Flex & tighten S.S. band.

Note: The Roof Drain with an attached sleeve coupling can be inserted from the top side with a #43 Mounting Flange cemented onto the sleeve coupling extension to fit tight against the ceiling so the Roof Drain is anchored into slab to prevent expansion/contraction problems.

* See E-Z Flex installation instruction sheet.



W.H. Directory Reference 99 Edition
Firestop Device
W.H. Design No. PS/PH 120-03
F Rating 2 Hrs.



PROSET[®]
SYSTEMS
FIRESTOP PENETRATOR™

DATE :

5-31-21

DRG . NO .

B-6720-D