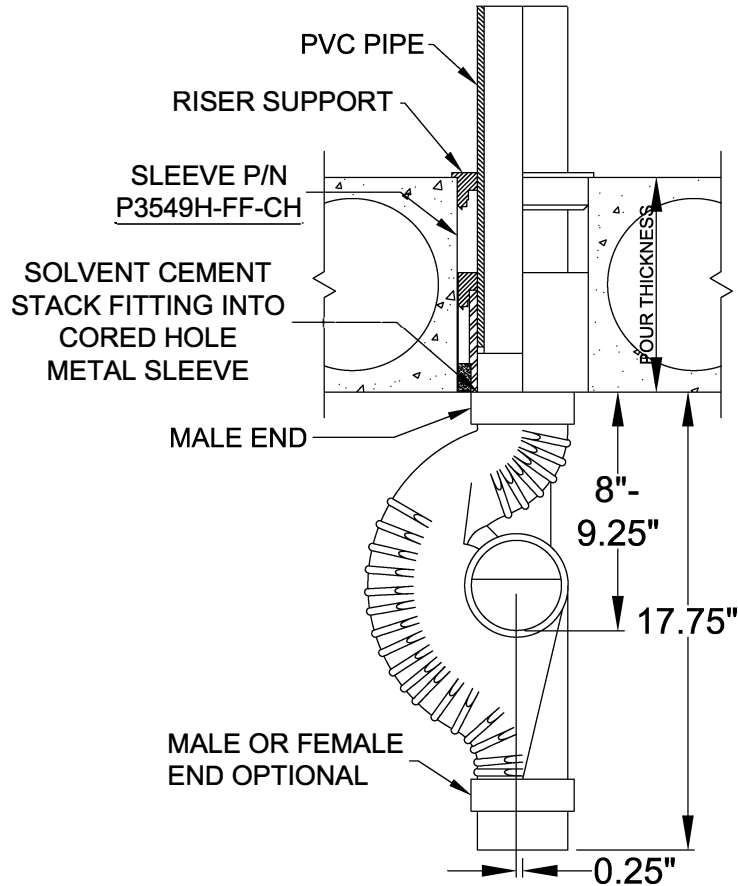


# CORED HOLE CONNECT TO SLEEVE ASSEMBLY FOR 3" STACKS OR STACK VENT FITTING

3" PROSET FIRE RATED PENETRATIONS THROUGH CONCRETE FLOORS



## IMPORTANT NOTES:

1. Solvent cement the male end of the ProVent Fitting into the cored hole sleeve fitting then insert the whole unit up into the cored hole.
2. Adjustments can be made up to touching the ceiling with the Stack Fitting for an 8" invert or dropping it down to a 9.25" or lower elevation.
3. After setting the 3" Stack and PVC pipe up to the desired height then solvent cement the loose riser clamp over the 3" PVC pipe to secure the stack fitting at the floor line.
4. Use optional ProSet silicone caulking under the riser clamp to waterproof the penetration then finish connecting the two below 3" PVC pipes using the EZ Mechanical flex coupling to complete the installation.



W.H. Directory Reference 99 Edition  
Firestop Device  
W.H. Design No. PS/PHV 180-03  
F & T Rating 3 Hrs.



**PROSET**<sup>®</sup>  
**SYSTEMS**  
FIRESTOP PENETRATOR™

DATE :  
5-31-2021

DRG . NO .  
C-9049-3FFCH