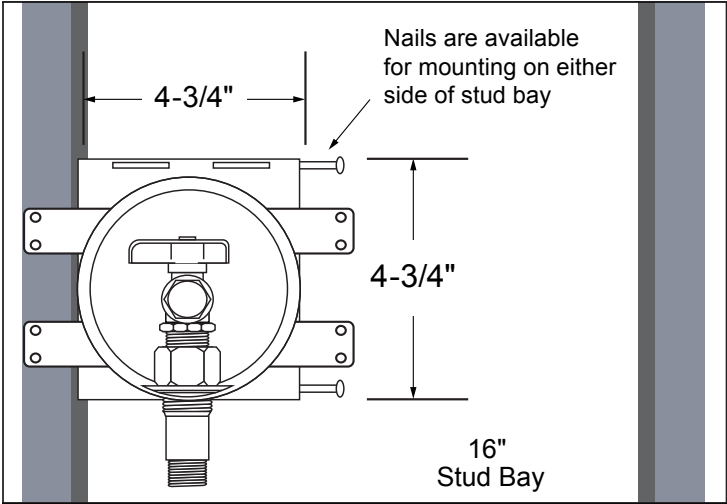
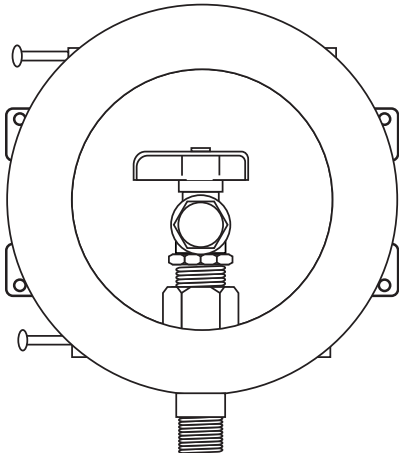




Gas Valve Mini Outlet Box



Specifications:

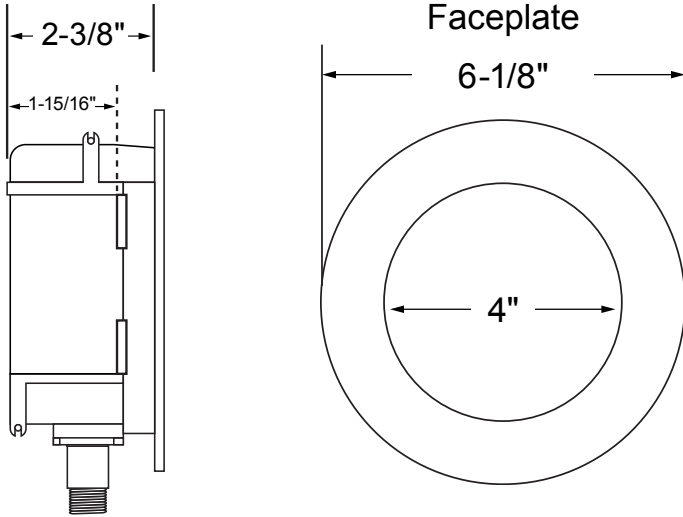
Furnish and install recessed Gas Valve Mini Outlet Box with CSA listed valve and preloaded nails. Unit shall be Water-Tite product code checked below with appropriate valve connection as manufactured by IPS Corporation in Collierville, TN.

Valve:

- 1/4 Turn Valve, 1/2" Male NPT
- Max working pressure: 1/2 PSIG
- Max testing pressure: 10 PSI

Certifications:

- Valve complies with ANSI Z21/CSA9.1
- CSA listed to ANSI Z21/CSA9.1



PRODUCT	DESCRIPTION	MODEL	UNITS/CASE
88106	Gas Mini Outlet Box w/1/2" Valve for Iron Pipe	W5700	10
88107	Gas Mini Outlet Box w/1/2" Valve for Iron Pipe/Cont. Pack	W5700CP	10

