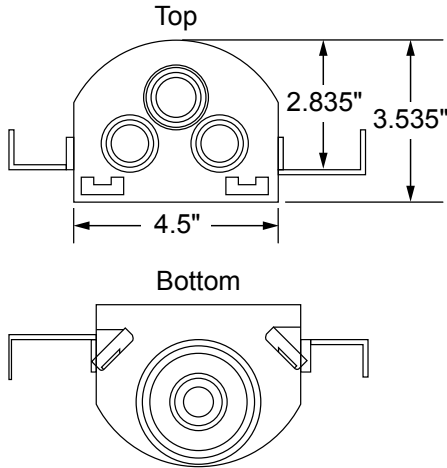
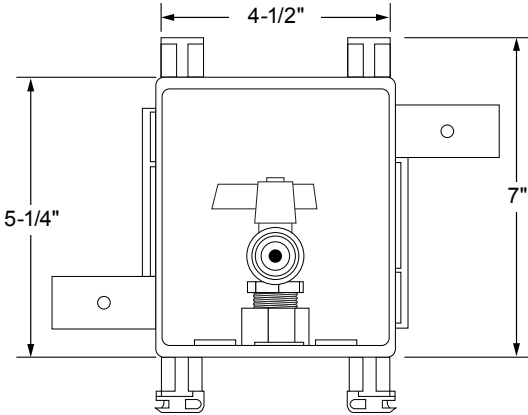




MultiBox™ Gas Outlet Box System



Specifications:

Furnish and install MultiBox Gas Outlet Box. Unit shall be Water-Tite product code checked below, as manufactured by IPS Corporation.

Box/Frame Material:

Hi-Impact Resin

Valve:

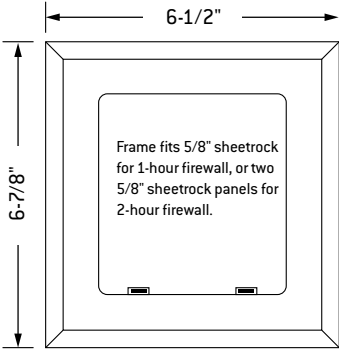
- 1/4 Turn Valve, 1/2" Male NPT, 3/4" Male NPT, or 1/2" Female CSST
- Max working pressure: 1/2 PSIG
- Max testing pressure: 10 PSI

Available Accessories:

3 Universal Faceplates: Open, Solid and Louvered Stabilizer Bar

Certifications:

- Valve complies with ANSI Z21/CSA9.1
- CSA listed to ANSI Z21/CSA9.1



PRODUCT	DESCRIPTION	MODEL	UNITS/CASE
82940	Gas Outlet Box, 1/2" Gas Valve	MBG1212IP	10
82941	Gas Outlet Box, 1/2" Gas Valve for CSST Pipe	MBG1212CSST	10
82942	Gas Outlet Box, 3/4" Gas Valve	MBG1234IP	10

