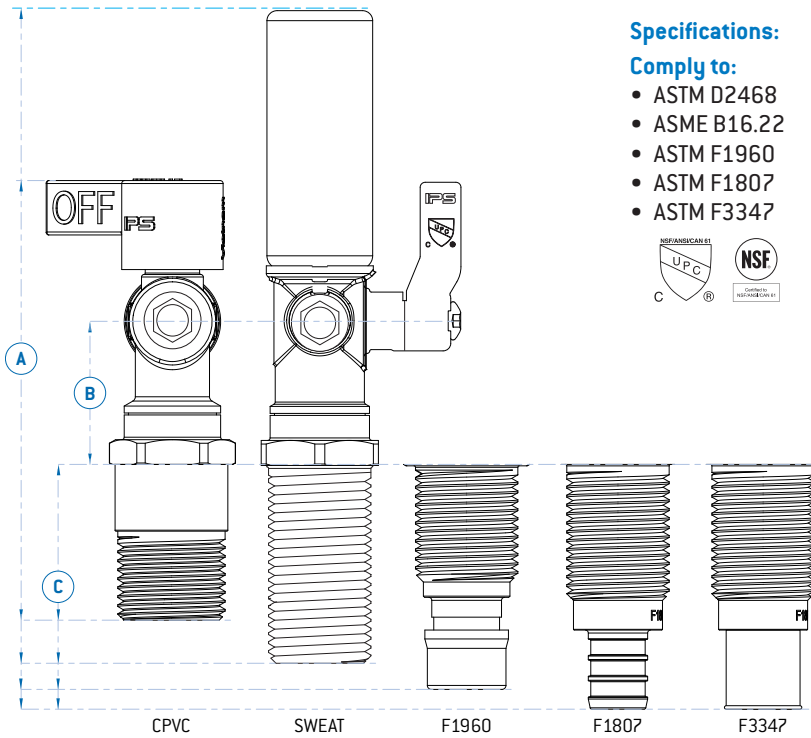




Ice Maker Outlet Boxes Quarter-Turn Brass Valves



Specifications:

Comply to:

- ASTM D2468
- ASME B16.22
- ASTM F1960
- ASTM F1807
- ASTM F3347



Standard Valve Models

Products are in compliance with the following codes:

- Uniform Plumbing Code (UPC®)
- National Plumbing Code of Canada
- International Plumbing Code (IPC®)

Hammer Arrestor Models

Products are in compliance with the following codes:

- Uniform Plumbing Code (UPC®)
- National Plumbing Code of Canada
- National Standard Plumbing Code

Products are certified to the following standards

- IAPMO IGC 168-2012e1
- [includes applicable requirements of ASME A112.18.1/CSA B125.1 and ASSE 1010]
- NSF/ANSI 14-2021
- NSF/ANSI/CAN 61-2023

PRODUCT	DESCRIPTION	MODEL	UNITS/CASE	MEASUREMENTS (INCHES)		
				A	B	C
Ice Maker Outlet Box Valves						
88733	Lead-free , Qtr-turn Valve, White Handle, 1/2" Sweat Conx.	88733	1	3.82	1.14	1.56
88735	Lead-free , Qtr-turn Valve, White Handle, 1/2" F1807 Conx.	88735	1	3.82	1.14	1.56
88734	Lead-free , Qtr-turn Valve, White Handle, 1/2" CPVC Conx.	88734	1	3.5	1.67	1.24
88736	Lead-free , Qtr-turn Valve, White Handle, 1/2" F1960 Conx.	88736	1	4.05	1.14	1.78
Ice Maker Outlet Box Valves with Hammer Arrestors						
88769	Lead-free , Qtr-turn Arrestor Valve, White Handle, 1/2" Sweat Conx.	88769	1	5.16	1.14	1.56
88771	Lead-free , Qtr-turn Arrestor Valve, White Handle, 1/2" F1807 Conx.	88771	1	5.16	1.14	1.56
88770	Lead-free , Qtr-turn Arrestor Valve, White Handle, 1/2" CPVC Conx.	88770	1	4.8	1.67	1.24
88772	Lead-free , Qtr-turn Arrestor Valve, White Handle, 1/2" F1960 Conx.	88772	1	5.35	1.14	1.78
88827	Lead-free , Qtr-turn Arrestor Valve, White Handle, 1/2" F3347 Conx.	88827	1	5.35	1.14	1.78