

Hiab XS 1055

Capacity 90 tm



Basic data

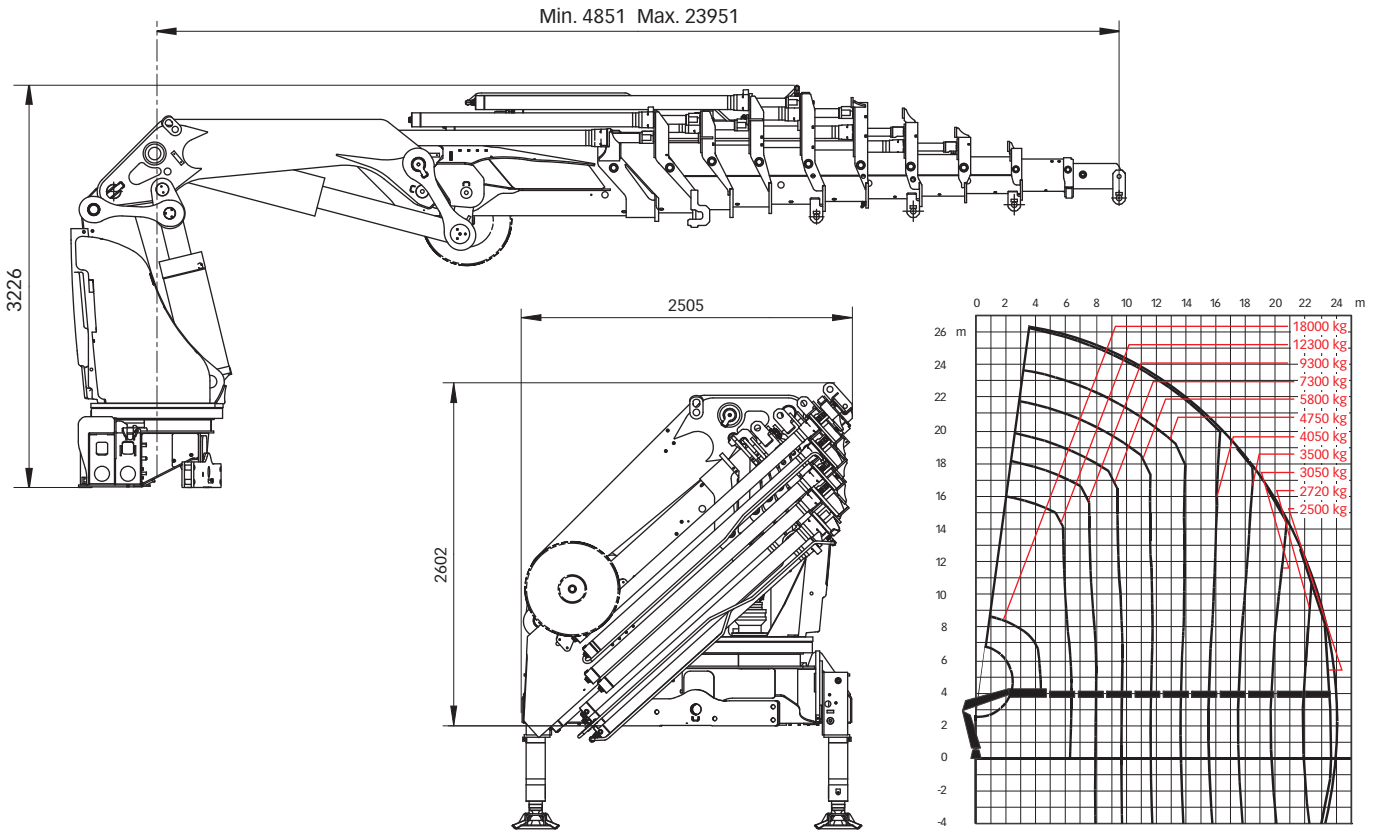
Hiab XS 1055 Basic data

Technical data	EP-6 HiPro	E-6 HiPro	E-8 HiPro*	E-10 HiPro
Max. lifting capacity (kNm)	826	820	804	796
Outreach - hydraulic extensions (m)	16.5	15.3	19.6	24.0
Outreach - manual extensions (m)	-	-	-	-
Outreach - jib (m)	-	25.0	29.2	-
Outreach / lifting capacity (m / kg)	4.7 / 18000	4.4 / 18000	4.4 / 18000	4.4 / 18000
	6.2 / 13300	5.9 / 13900	6.1 / 13000	6.3 / 12300
	8.0 / 10100	7.6 / 10500	7.8 / 9800	8.0 / 9300
	9.9 / 8000	9.3 / 8400	9.5 / 7800	9.7 / 7300
	11.9 / 6600	11.2 / 6900	11.4 / 6300	11.6 / 5800
	14.1 / 5500	13.2 / 5800	13.4 / 5200	13.6 / 4750
	16.3 / 4750	15.1 / 5000	15.3 / 4450	15.5 / 4050
	-	-	17.4 / 3850	17.6 / 3500
	-	-	19.4 / 3450	19.6 / 3050
	-	-	-	21.8 / 2720
	-	-	-	23.8 / 2500
Outreach / lifting capacity, with Jib (m / kg)	-	18.4 / 2920	22.5 / 1780	-
	-	19.4 / 2740	23.5 / 1680	-
	-	20.7 / 2540	24.8 / 1560	-
	-	21.9 / 2320	26.0 / 1480	-
	-	23.4 / 1840	27.5 / 1380	-
	-	24.9 / 1520	29.0 / 1240	-
	-	26.4 / 1280**	30.5 / 1020**	-
Slewing angle	∞	∞	∞	∞
Height in folded position (mm)	2587	2507	2507	2602
Width in folded position (mm)	2504	2500	2500	2505
Installation space needed (mm)	1626	1665	1730	1730
Weight - "standard" crane without stabilizers (kg)	7010	7260	7770	8150
Weight - Jib (kg)	-	1390	1370	-
Weight - manual extension for Jib (kg)	-	50	50	-
Frame attachments (kg)	130	130	130	130
Weight - support leg equipment 9 m span (kg)	1220 - 1390	1220 - 1390	1220 - 1390	1220 - 1390

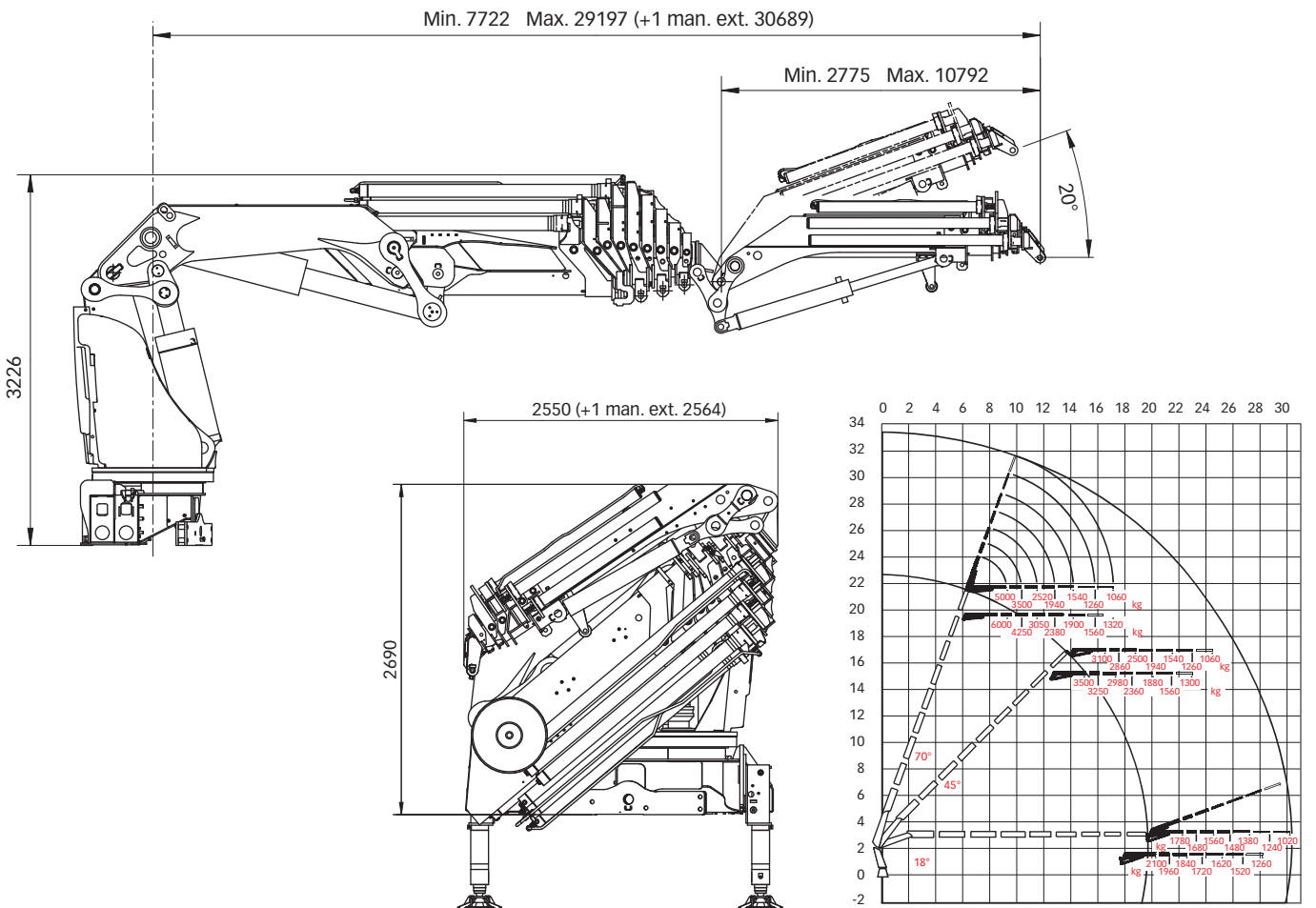
* Jib with Dual Capacity (JDC)

** With jib + 1 man. extension

Hiab XS 1055 E-10 HiPro



Hiab XS 1055 E-8 HiPro jib 175X-5 JDC





Atlas Polar
IT'S ALL ABOUT QUALITY™

Atlas Polar Company Ltd.
60 Northline Road
Toronto, ON M4B 3E5
Canada
1-888-799-4422
info@atlaspolar.com
www.atlaspolar.com