

PK 65002 SH

PALFINGER

LIFETIME EXCELLENCE

**MAXIMUM LIFTING CAPACITY. HPSC
OPENS UP CRANE APPLICATIONS EVEN
IN TIGHT SPACES.**



LIFETIME EXCELLENCE

PALFINGER LOADER CRANES ARE CONVINCING DUE TO THEIR SUPERIOR LIFE-CYCLE PERFORMANCE. THEY ARE THE MOST ECONOMICAL AND ALSO THE MOST RELIABLE OVER THE ENTIRE PRODUCT LIFE. FROM SOLUTION FINDING TO RESALE.

BETTER
SOLUTIONS

BETTER
EFFICIENCY

BETTER
ERGONOMICS

HIGHER VALUE
RETENTION



HIGHER
AVAILABILITY

HIGHER
SERVICEABILITY

BETTER
ECOLOGY

MORE
RELIABILITY

For further information please visit: www.palfinger.com/thebrand



UNCOMPROMISING QUALITY RIGHT DOWN TO THE LAST DETAIL





- Maximum reliability due to PAL 150
- More efficiency with fly jib due to DPS Plus
- Maximum precision and safety due to optional AOS
- Increased operating times due to low-maintenance extension system
- Practical and attractive due to Functional Design



PERFECT TOOL WITH SOPHISTICATED KINEMATICS

12 HIGHLIGHTS



CONTINUOUS SLEWING SYSTEM
UNRESTRICTED MOVEMENT

More efficient in operation due to faster loading cycles, since the crane can be slewed over a shorter distance. The crane works more efficiently and faster.



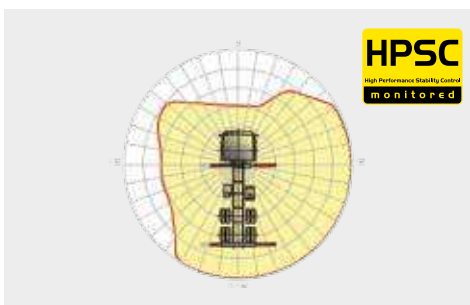
POWER LINK PLUS
HIGH VARIETY OF USES

With the 15-degree reverse linkage system, you can reach through low door openings and also work inside buildings. Heavy crane work – even in difficult conditions.



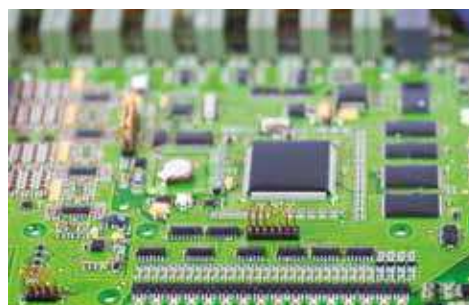
LOW-MAINTENANCE EXTENSION SYSTEM
REDUCES SERVICE TIME

With sliding elements made of synthetic material and the high-quality KTL coating, this boom system significantly simplifies service performed by the operator. This saves time and money – and protects the environment.



HPSC
MAXIMUM UTILISATION OF THE WORKING RANGE

The variable stabiliser positioning of the High Performance Stability Control System makes it possible to utilise the lifting capacity to the maximum. It enables working within tight spaces.



S-HPLS
MORE LIFTING POWER WHEN IT IS REALLY NEEDED

S-HPLS is one of the most important functions of the PALTRONIC 150. It is a fully automatic system for increasing the lifting power. Depending on the need, there is continuous adaptation of the lifting power and speed of the crane.



CONTROL TECHNOLOGY
COMMUNICATION WITH THE OPERATOR

New standards in operator friendliness through perfect interaction between PALTRONIC 150, control valve and radio remote control. The operator is guided clearly and safely.



POWER LINK CABLE WINCH
MORE COMFORT IN CABLE WINCH OPERATION

Characterised by low installation height, it is ideal for working inside buildings and transports with the crane boom unfolded. The Comfort Cable Routing reduces set-up times to a minimum.



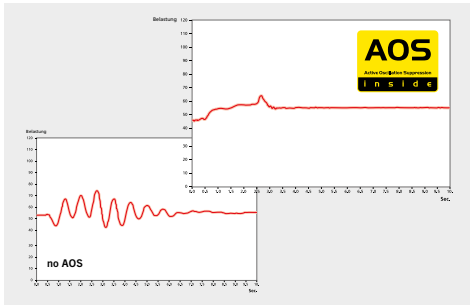
FUNCTIONAL DESIGN
PRACTICAL AND ATTRACTIVE

Robust plastic covers protect crane parts against dirt and damage. Better appearance and increased operational comfort – during the entire lifetime.



KTL – CATHODIC DIP PAINTING
FOR RETAINING HIGH VALUE

The UV-resistant coating guarantees long-term surface protection. Perfect appearance during the entire lifetime for maximum resale value.



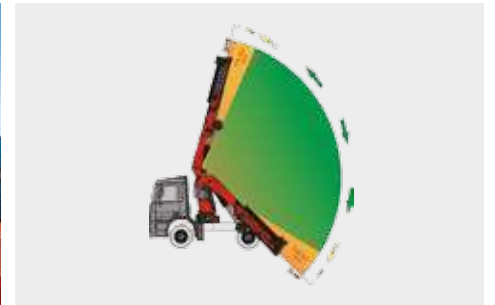
AOS
MAXIMUM PRECISION AND SAFETY

The active oscillation suppression system prevents "post-oscillation" in the event of rapid braking or load changes. The stress peaks on the extension boom system are reduced and material fatigue and wear are minimised. This increases the resale value.



DPS PLUS
MORE EFFICIENT FLY-JIB OPERATION

The Dual Power System allows multiple uses of the crane both for large outreaches as well as for heavy load operation.



SOFT STOP FUNCTION
MORE COMFORT AND SAFETY

The Soft Stop function is an electronic limit position damper. It causes gentle braking of all crane movements before the limit position is reached. Hence, jerky movements and load impacts can be avoided. The crane can be operated more gently and precisely.

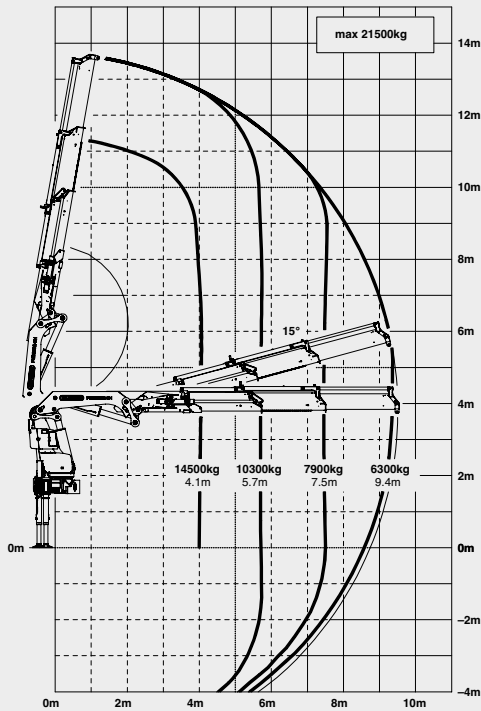


* Optional features / country-specific equipment

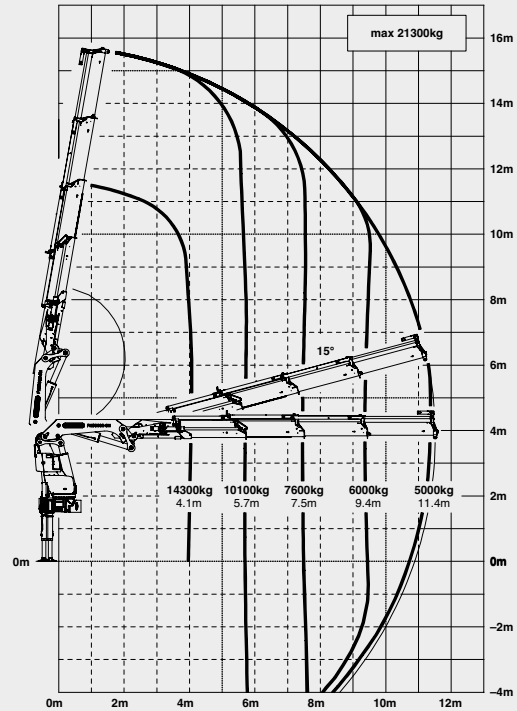
PK 65002 SH

HIGH PERFORMANCE

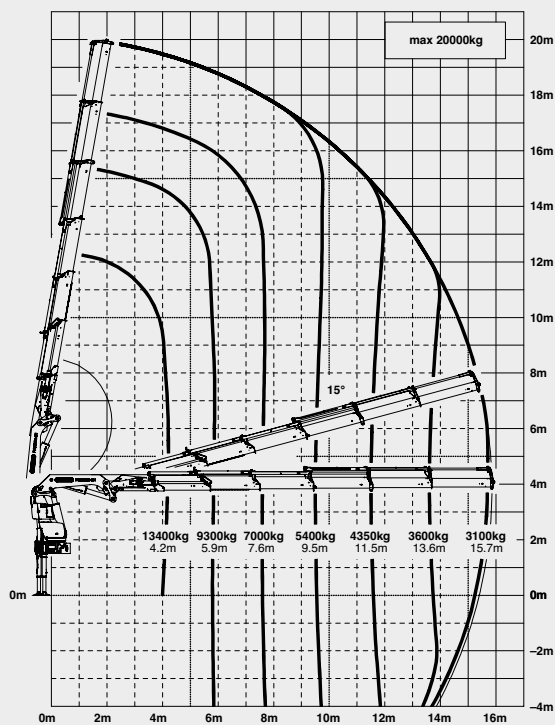
B



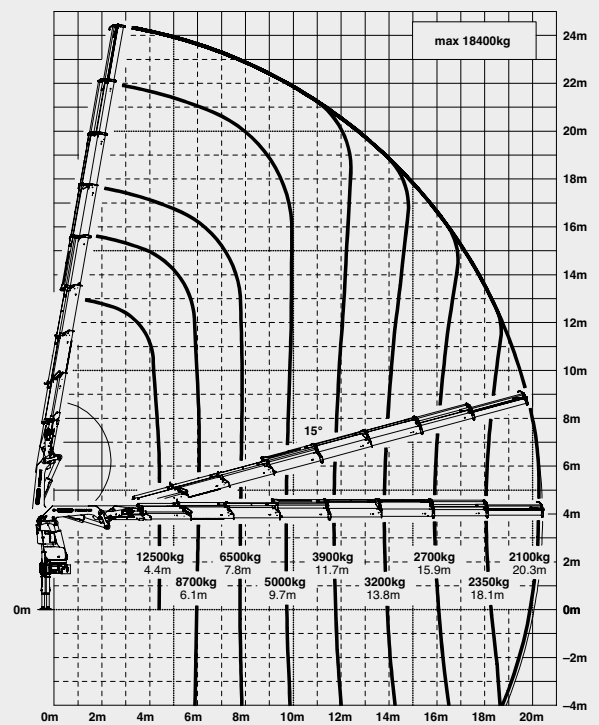
C



E

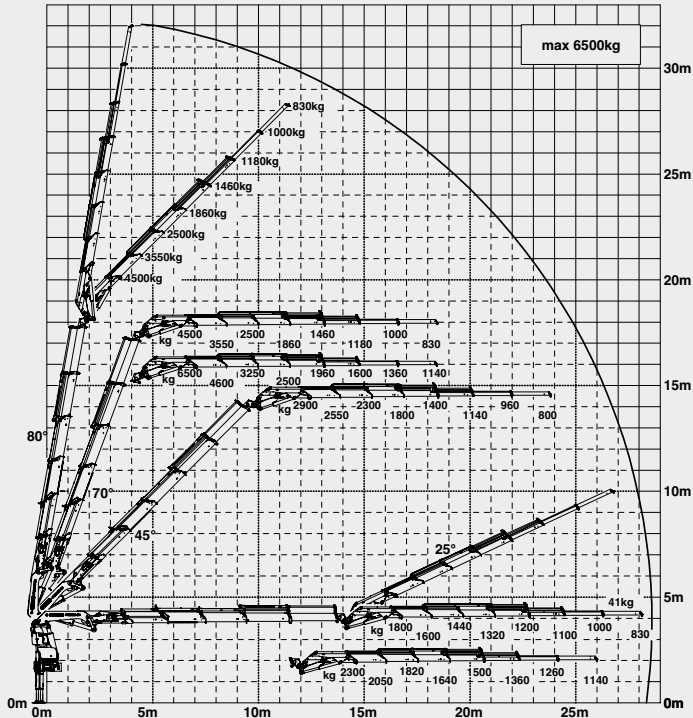


G

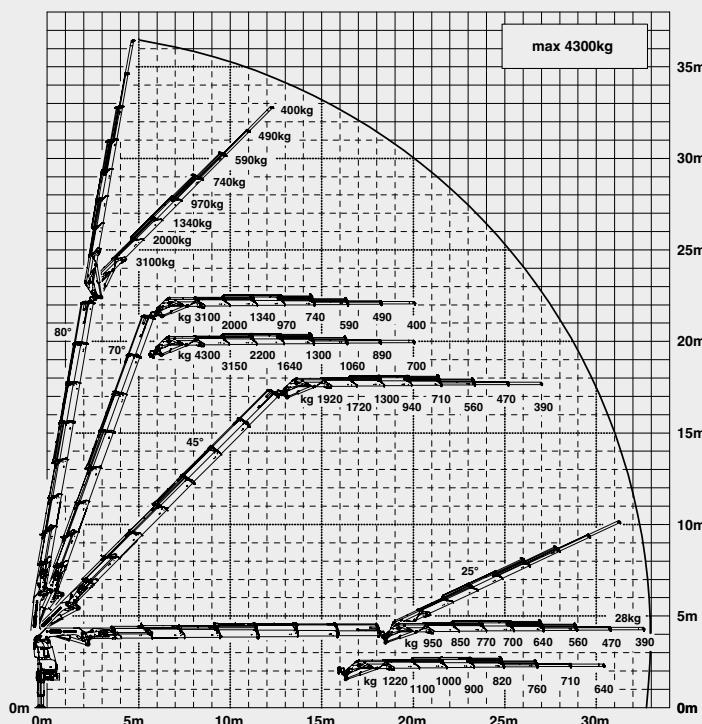


OUTSTANDING MOVEMENT GEOMETRY

D PJ170E JV1 DPS PLUS



F PJ125E JV1 DPS PLUS



LIFTING CAPACITIES

A	max.	21800 kg	48100 lbs
4.0 m	13' 1"	14800 kg	32700 lbs
5.7 m	18' 8"	10600 kg	23400 lbs
7.4 m	24' 3"	8200 kg	18100 lbs

B	max.	21500 kg	47400 lbs
4.1 m	13' 5"	14500 kg	32000 lbs
5.7 m	18' 8"	10300 kg	22700 lbs
7.5 m	24' 7"	7900 kg	17400 lbs
9.4 m	30' 10"	6300 kg	13900 lbs

C	max.	21300 kg	47000 lbs
4.1 m	13' 5"	14300 kg	31400 lbs
5.7 m	18' 8"	10100 kg	22200 lbs
7.5 m	24' 7"	7600 kg	16800 lbs
9.4 m	30' 10"	6000 kg	13300 lbs
11.4 m	37' 5"	5000 kg	10900 lbs

D	max.	20700 kg	45700 lbs
4.2 m	13' 9"	13700 kg	30200 lbs
5.8 m	19' 0"	9600 kg	21200 lbs
7.6 m	24' 11"	7300 kg	16000 lbs
9.5 m	31' 2"	5700 kg	12500 lbs
11.5 m	37' 9"	4650 kg	10200 lbs
13.6 m	44' 7"	3900 kg	8600 lbs

E	max.	20000 kg	44100 lbs
4.2 m	13' 9"	13400 kg	29500 lbs
5.9 m	19' 4"	9300 kg	20600 lbs
7.6 m	24' 11"	7000 kg	15300 lbs
9.5 m	31' 2"	5400 kg	11900 lbs
11.5 m	37' 9"	4350 kg	9600 lbs
13.6 m	44' 7"	3600 kg	8000 lbs
15.7 m	51' 6"	3100 kg	6800 lbs

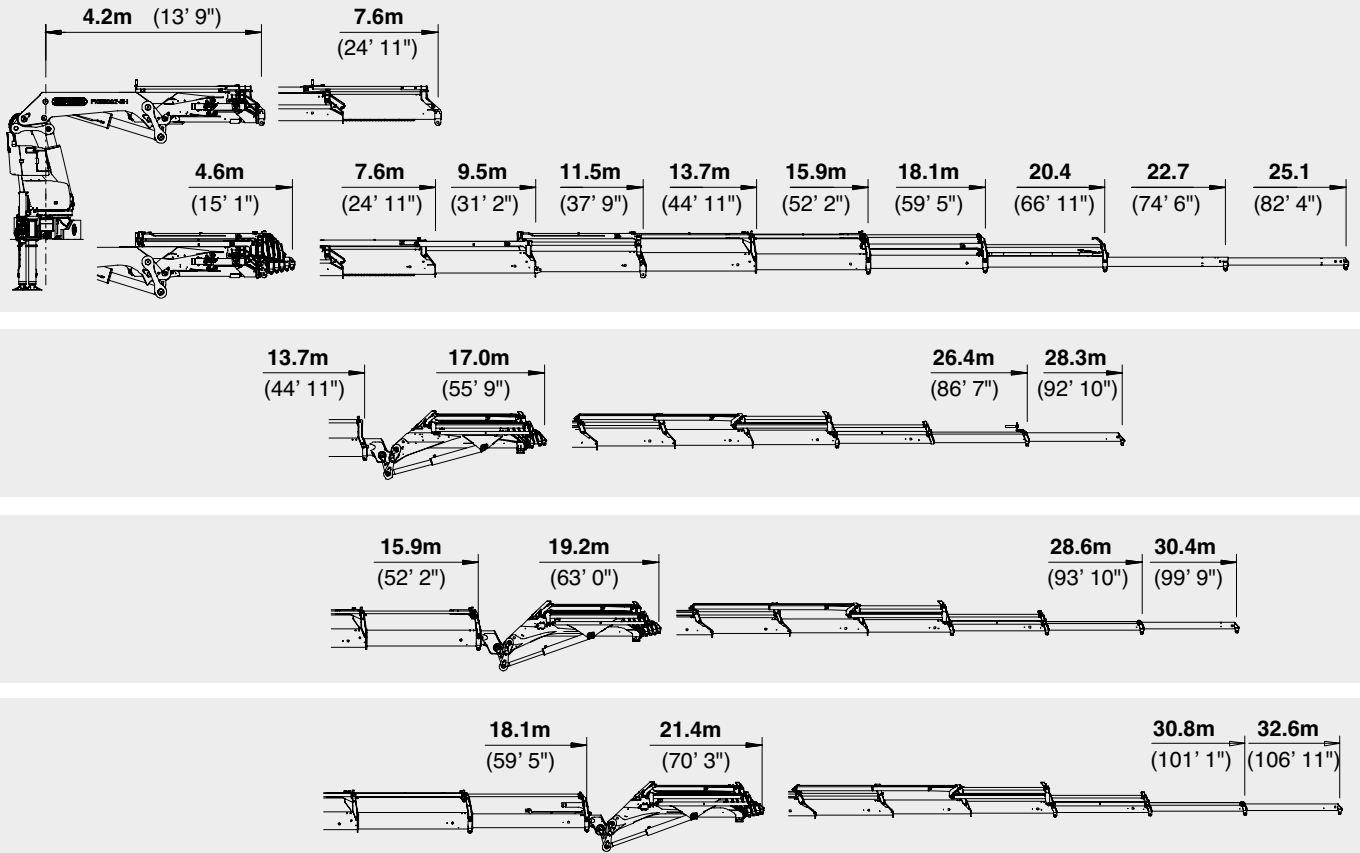
F	max.	19100 kg	42100 lbs
4.3 m	14' 1"	12900 kg	28500 lbs
6.0 m	19' 8"	9000 kg	19900 lbs
7.7 m	25' 3"	6700 kg	14700 lbs
9.6 m	31' 6"	5200 kg	11300 lbs
11.6 m	38' 1"	4100 kg	9100 lbs
13.7 m	44' 11"	3400 kg	7400 lbs
15.8 m	51' 10"	2900 kg	6300 lbs
18.0 m	59' 1"	2500 kg	5600 lbs

G	max.	18400 kg	40600 lbs
4.4 m	14' 5"	12500 kg	27600 lbs
6.1 m	20' 0"	8700 kg	19300 lbs
7.8 m	25' 7"	6500 kg	14200 lbs
9.7 m	31' 10"	5000 kg	10900 lbs
11.7 m	38' 5"	3900 kg	8600 lbs
13.8 m	45' 3"	3200 kg	7000 lbs
15.9 m	52' 2"	2700 kg	6000 lbs
18.1 m	59' 5"	2350 kg	5200 lbs
20.3 m	66' 7"	2100 kg	4600 lbs
22.6 m*	74' 2"	1780 kg	3900 lbs
24.9 m*	81' 8"	1000 kg	2200 lbs

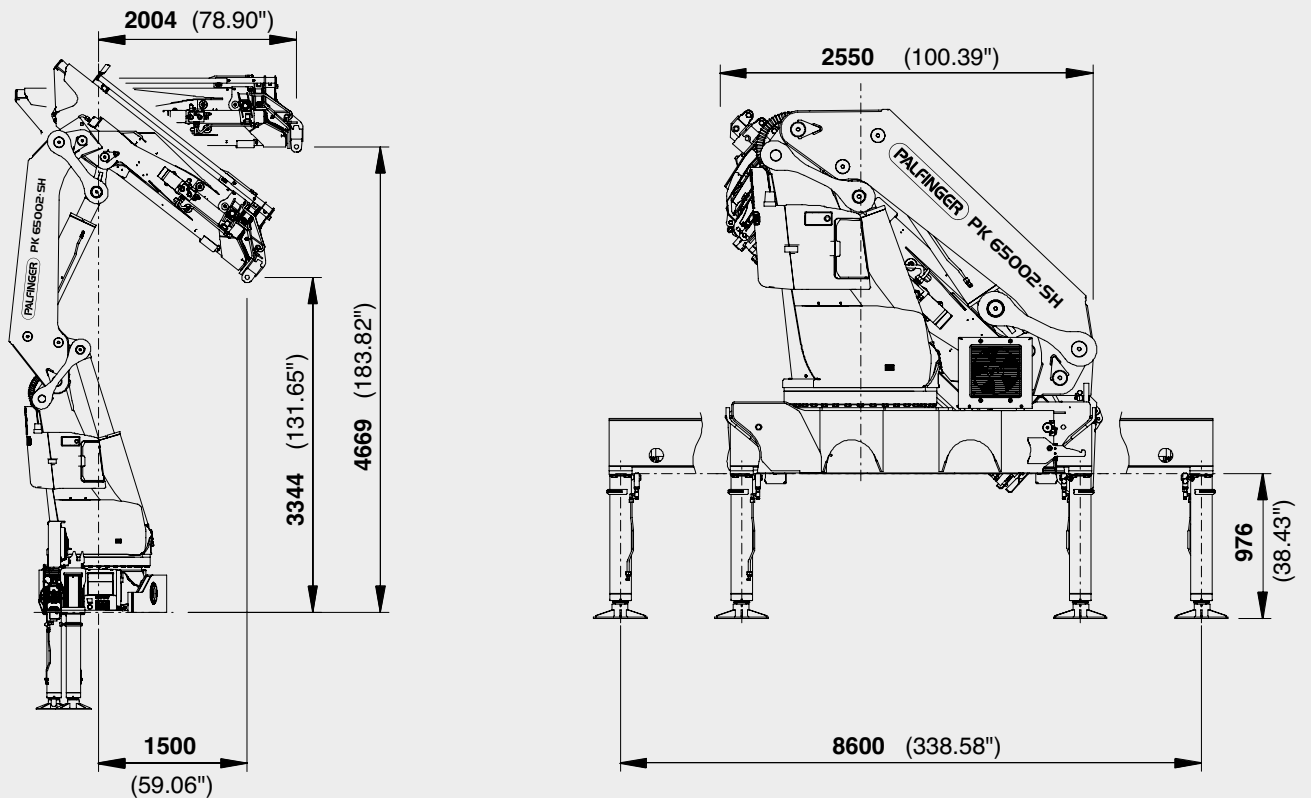
*mechanical extension

PERFECT DIMENSIONS

EXTENSION BOOM VARIATIONS



DIMENSIONS

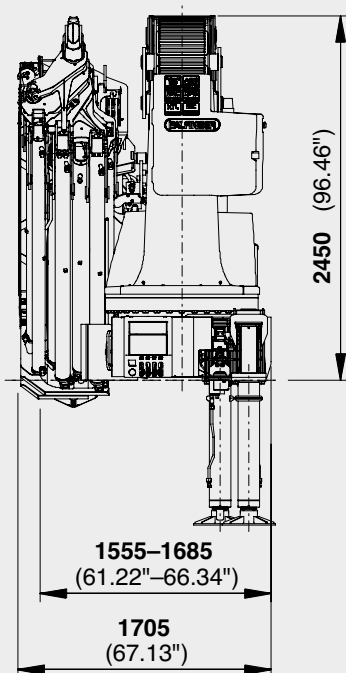


PK 65002 SH

D PJ170E JV1 DPS PLUS

E PJ125E JV1

F PJ125E JV1 DPS PLUS



TECHNICAL SPECIFICATIONS (EN 12999 HC1 HD5/B3)

Max. lifting moment	62.0 mt / 608.0 kNm	448400 ft. lbs
Max. lifting capacity	22000 kg / 215.8 kN	48500 lbs
Max. hydraulic outreach	20.4 m	66' 11"
Max. manual outreach	25.1 m	82' 4"
Max. outreach (with fly-jib)	32.6 m	106' 11"
Slewing angle	continuously variable	
Slewing torque with 1 gear	4.5 mt/44.1 kNm	32560 ft. lbs
Slewing torque with 2 gears	7.0 mt/68,7 kNm	50640 ft. lbs
Stabiliser spread	8,6 m	28' 3"
Fitting space required (std.)	min. 1,56 m/5' 1"	max. 1,71 m/5' 7"
Width folded	2.55 m	8' 4"
Max. operating pressure	365 bar	5293 psi
Recommended pump capacity	from 100 l/min	26.4 US gal./min
	to 120 l/min	31.7 US gal./min
Dead weight (std.)	5040 kg	11110 lbs



Cranes shown in the leaflet are partially optional equipped and do not always correspond to the standard version. Country-specific regulations must be observed. Dimensions may vary. Subject to technical changes, errors and translation mistakes.