



OWNER'S MANUAL

HRC216YXB-EXA6 HRC216YXB-EXC6

LAWN MOWER

Before operating the mower for the first time, please read this Owner's Manual. Even if you have operated other mowers, take time to become familiar with how this mower works and practice in a safe area until you build up your skills.

QUICK FIND

Blades	16	Cutting Height.....	10	Maintenance Schedule	15
Contact Honda.....	22	Find a Dealer.....	22	Warranty Coverage.....	24, 25

CONTENTS

WELCOME	2	SERVICING YOUR MOWER.....	14	TECHNICAL INFORMATION	21
FOR YOUR SAFETY	2	Maintenance Safety.....	14	Serial Number Locations	21
PARTS AND CONTROLS	5	Maintenance Schedule.....	15	Model Types.....	21
INITIAL MOWER SETUP.....	5	Blade Inspection.....	16	Specifications	21
List of Parts	5	Blade Mounting Bolt Inspection.....	16	CUSTOMER INFORMATION	22
Attach the Handlebar.....	6	Blade Replacement.....	16	Parts, Accessories, and Service Items..	22
Battery	7	Blade Control Check	17	Dealer Locator Information.....	22
Assemble the Grass Bag.....	8	Control Calibration.....	17	Disposal.....	22
Please Register Your Mower.....	8	TRANSPORTING	18	How to Contact Honda	22
Before Using Your Lawn Mower.....	8	STORAGE	18	Honda Publications	23
BEFORE EACH OPERATION	8	Cleaning	18	DISTRIBUTOR'S LIMITED WARRANTY..	24
Check Your Mower.....	8	Storage Location	18	DISTRIBUTOR'S WARRANTY.....	25
Check Your Mowing Area.....	9	Removing From Storage	18		
Check the Lawn Mower Operation	9	TROUBLESHOOTING.....	19		
Rear Shield.....	9	Power Unit Will Not Start.....	19		
Mulching Plug.....	9	Power Unit Starts and then Stops	19		
Grass Bag	9	Loss of Power.....	19		
Cutting Height Adjustment.....	10	Vibration	19		
OPERATION.....	10	Mowing and Bagging Problems.....	19		
Safe Mowing Practices.....	10	Mower Status with Indicator Display .	20		
Indicator Panel	11				
Headlight.....	12				
Operating the Controls	12				
Starting the Power Unit or Mower	13				
Stopping the Power Unit or Mower....	13				
Mowing Tips	13				

REGISTER YOUR PRODUCT

To register your mower, scan the QR code or see [page 8](#) for additional ways to register.



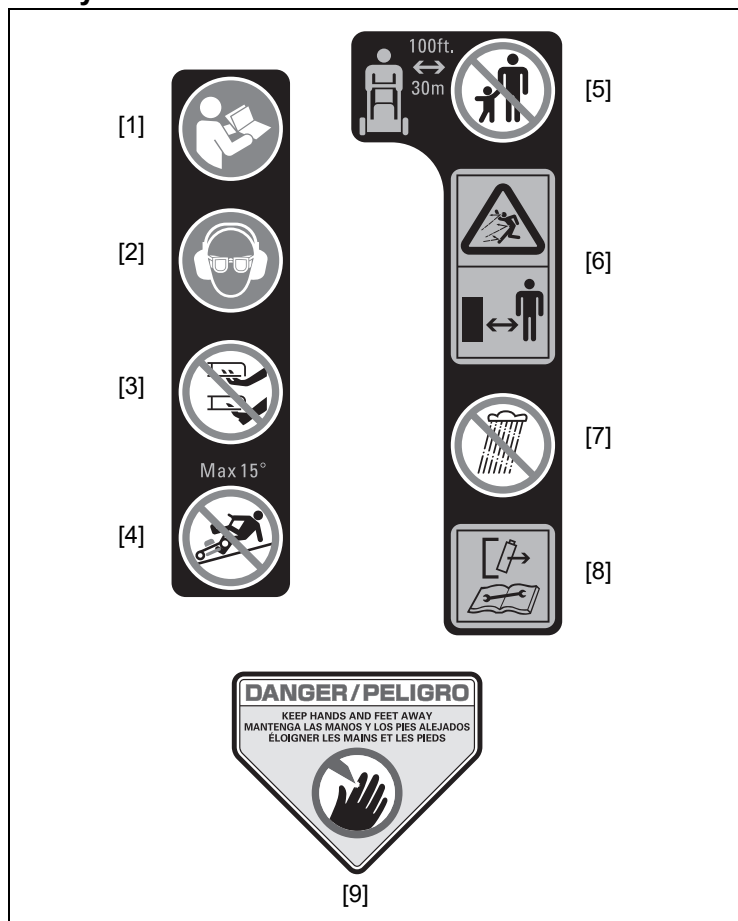
QUESTIONS?

Contact your Honda dealer. There is a dealer locator at powerequipment.honda.com



HONDA

Safety Label Definitions



- [1] Read the owner's manual before using the mower.
- [2] Wear eye protection.
- [3] Risk of cuts. Rotating blades: Do not put hands or feet inside the mower deck enclosure.
- [4] Avoid steep slopes of more than 15 degrees. You could slip, fall, and lose control of the mower.
- [5] Keep out of reach of children, and keep all persons or pets at least 100 ft. (30 m) away from the mowing area.
- [6] Risk of projections: Keep third persons away from the area during use.
- [7] Do not operate the lawn mower or handle the battery pack in wet or rainy conditions.
- [8] Remove the battery pack before performing any operation of maintenance or repairs.
- [9] Keep hands and feet away.

Lawnmower safety warnings

⚠ WARNING Read all safety warnings, instructions, illustrations and specifications provided with this lawnmower. *Failure to follow all instructions listed below may result in electric shock, fire and/or serious injury.*

Save all warnings and instructions for future reference.

1) Work Area Safety

- To avoid bystander contact with the moving blade or a thrown object injury, *keep the area of operation clear of all bystanders, particularly small children.* Stop the lawnmower and any attachment(s) if anyone enters the area. *Contact with the moving blade or thrown objects may result in serious personal injury or death.*
- Only operate the lawnmower in daylight or good artificial light. *Dark areas invite accidents.*
- Do not operate lawnmowers in explosive atmospheres, such as in the presence of flammable liquids, gases or dust. *Lawnmowers create sparks which may ignite the dust or fumes.*
- Do not use the lawnmower in bad weather conditions, especially when there is a risk of lightning. *This decreases the risk of being struck by lightning.*
- Thoroughly inspect the area where the lawnmower is to be used and remove all stones, sticks, wires, bones, and other foreign objects. *Thrown objects can cause personal injury.*

2) Electrical Safety

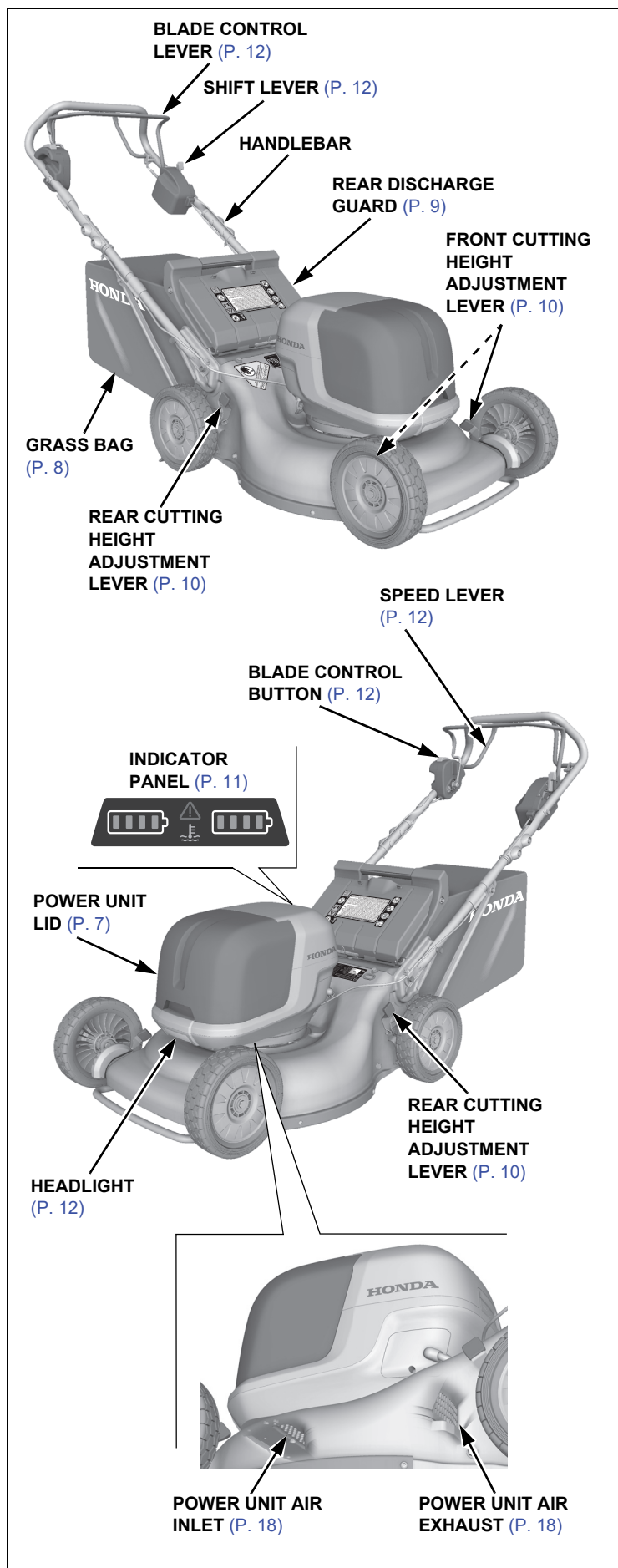
- Do not expose the lawnmower to rain or wet conditions. *Water entering a lawnmower may increase the risk of electric shock.*

3) Personal safety

- Use personal protective equipment. Always wear eye protection. *Protective equipment will reduce personal injuries.*
- Dress properly. Do not wear loose clothing or jewellery. Keep your hair and clothing away from moving parts. *Loose clothes, jewellery or long hair can be caught in moving parts.*
- While operating the lawnmower, always wear long trousers. *Exposed skin increases the likelihood of injury from thrown objects.*
- While operating the lawnmower, always wear non-slip and protective footwear. Do not operate the lawnmower when barefoot or wearing open sandals. *This reduces the chance of injury to the feet from contact with the moving blade.*
- Prevent unintentional starting. Ensure the switch is in the off-position before connecting to power source and/or batteries, picking up or carrying the lawnmower. *Carrying a lawnmower with your finger on the switch or energising a lawnmower that has the switch on invites accidents.*
- Remove any adjusting key or wrench before turning the lawnmower on. *A wrench or a key left attached to a rotating part of the lawnmower may result in personal injury.*
- Keep proper footing and balance at all times. *This enables better control of the lawnmower in unexpected situations.*
- Stay alert, watch what you are doing and use common sense when operating a lawnmower. Do not use a lawnmower while you are tired or under the influence of drugs, alcohol or medication. *A moment of inattention while operating a lawnmower may result in serious personal injury.*

- i) Do not let familiarity gained from frequent use of lawnmower allow you to become complacent and ignore lawnmower safety principles. *A careless action can cause severe injury within a fraction of a second.*
 - j) To avoid operator blade contact or a thrown object injury, stay in the operator zone behind the lawnmower handles. *Blade contact or thrown objects may result in serious personal injury.*
 - k) Do not touch blades and other hazardous moving parts while they are still in motion. *This reduces the risk of injury from moving parts.*
- 4) Lawnmower use and care
- a) Use the lawnmower and accessories in accordance with these instructions, taking into account the working conditions and the work to be performed. *Use of the lawnmower for operations different from those intended may result in a hazardous situation.*
 - b) Before using the lawnmower, always visually inspect to see that the blade(s) and the blade(s) assembly are properly secured and not worn or damaged. *Loose, worn, or damaged parts may increase the risk of injury.*
 - c) Keep guards and other safety devices in place, properly mounted, and in working order. *A guard or other safety device that is loose, damaged, or is not functioning correctly may result in personal injury.*
 - d) Keep all cooling air inlets clear of debris. *Blocked air inlets and debris may result in overheating or risk of fire.*
 - e) Do not use the lawnmower if the switch does not turn it on and off. *Any lawnmower that cannot be controlled with the switch is dangerous and must be repaired.*
 - f) Do not operate the lawnmower in wet grass. Walk, never run. *This reduces the risk of slipping and falling which may result in personal injury.*
 - g) Do not operate the lawnmower on excessively steep slopes. *This reduces the risk of loss of control, slipping and falling which may result in personal injury.*
 - h) Do not force the lawnmower. Use the correct lawnmower for your application. *The correct lawnmower will do the job better and safer at the rate for which it was designed.*
 - i) Be aware of the mower and attachment discharge direction and do not point the mower discharge at anyone. *Thrown objects can cause personal injury.*
 - j) Use extreme caution when reversing or pulling the lawnmower towards you. Always be aware of your surroundings. *This reduces the risk of tripping during operation.*
 - k) When working on slopes, always be sure of your footing, always work across the face of slopes, never up or down and exercise extreme caution when changing direction. *This reduces the risk of loss of control, slipping and falling which may result in personal injury.*
 - l) Operate the disabling device and/or remove all battery packs, if removable, from the lawnmower before making any adjustments, changing accessories, or storing the lawnmower. *Such preventive safety measures reduce the risk of starting the lawnmower accidentally.*
 - m) Keep handles and grasping surfaces dry, clean and free from oil and grease. *Slippery handles and grasping surfaces do not allow for safe handling and control of the lawnmower in unexpected situations.*
 - n) Check the grass bag frequently for wear or deterioration. *A worn or damaged grass bag may increase the risk of personal injury.*
 - o) Before removing the grass bag, turn off the motor and wait until the blade(s) comes to a complete stop. The cutting blade(s) continues to rotate after the blade control is released. Never place any part of the body in the blade(s) area until you are certain the motor is off and the blade(s) has stopped rotating. *Contact with the moving cutting blade(s) may result in serious personal injury.*
- p) Before unclogging the chute, turn off the motor, wait until the blade(s) comes to a complete stop, operate the disabling device and/or remove all batteries, if removable. The cutting blade(s) continues to rotate after the blade control is released. Never place any part of the body in the blade(s) area until you are certain the motor is off and the blade(s) has stopped rotating. *Contact with the moving cutting blade(s) may result in serious personal injury.*
- q) Before cleaning or inspecting the lawnmower, turn off the motor, wait until the blade(s) comes to a complete stop, operate the disabling device and/or remove all batteries, if removable. Accidental contact with the moving blade and moving parts may result in personal injury.
- r) Maintain the lawnmower and accessories. Check for misalignment or binding of moving parts, breakage of parts and any other condition that may affect the lawnmower's operation. If damaged, have the lawnmower repaired before use. *Many accidents are caused by poorly maintained lawnmowers.*
- s) Store idle lawnmowers out of the reach of children and do not allow persons unfamiliar with the lawnmower or these instructions to operate the lawnmower. *Lawnmowers are dangerous in the hands of untrained users.*
- 5) Battery lawnmower use and care
- a) Use lawnmowers only with specifically designated battery packs. *Use of any other battery packs may create a risk of injury and fire.*
 - b) Recharge only with the charger specified by the manufacturer. *A charger that is suitable for one type of battery pack(s) may create a risk of fire when used with another battery pack(s).*
 - c) Follow all charging instructions and do not charge the battery pack(s) or lawnmower outside the temperature range specified in the instructions. *Charging improperly or at temperatures outside the specified range may damage the battery and increase the risk of fire.*
 - d) Do not use a battery pack or lawnmower that is damaged or modified. *Damaged or modified batteries may exhibit unpredictable behaviour resulting in fire, explosion or risk of injury.*
 - e) Do not expose a battery pack(s) or lawnmower to fire or excessive temperature. *Exposure to fire or temperature above 265 °F (130 °C) may cause explosion.*
 - f) Under abusive conditions, liquid may be ejected from the battery(ies); avoid contact. If contact accidentally occurs, flush with water. If liquid contacts eyes, additionally seek medical help. *Liquid ejected from the battery(ies) may cause irritation or burns.*
 - g) When battery packs are not in use, keep them away from other metal objects, like paper clips, coins, keys, nails, screws or other small metal objects that can make a connection from one terminal to another. *Shorting the battery terminals together may cause burns or a fire.*
- 6) Service
- a) Have your lawnmower serviced by a qualified repair person using only identical replacement parts. This will ensure that the safety of the lawnmower is maintained. *Use of parts which do not meet the original equipment specifications may lead to improper performance and compromise safety.*
 - b) Never service damaged battery packs. *Service of battery packs should only be performed by the manufacturer or authorized service providers.*

PARTS AND CONTROLS



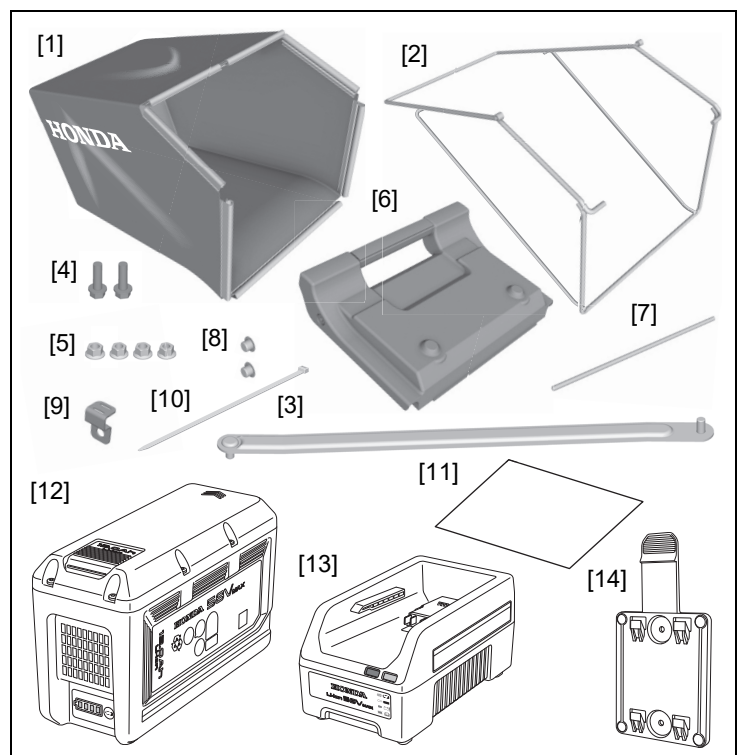
INITIAL MOWER SETUP

List of Parts

With help from an assistant, carefully remove the mower and loose parts from the carton and compare the loose parts against the following list. Contact the authorized Honda dealer from whom you purchased the mower if any of the loose parts shown are not included with your mower.

Ref. No.	Description	Qty.
[1]	Grass bag	1
[2]	Grass bag frame	1
[3]	Handle support plate	2
[4]	Flange bolt (8 x 16 mm)	2
[5]	Self-locking nut (8 mm)	4
[6]	Grass bag lid	1
[7]	Grass bag joint	1
[8]	Push nuts	2
[9]	Wire mount bracket	2
[10]	Cable tie	2
[11]	Owner's Manual	1
[12]	Battery Pack (Standard 12 Ah)	1
[13]	Battery Charger (Standard)	1
[14]	Charger Wall Bracket	1

* The owner's manuals for the battery pack and battery charger are separate manuals that are provided in battery pack and battery charger packaging.

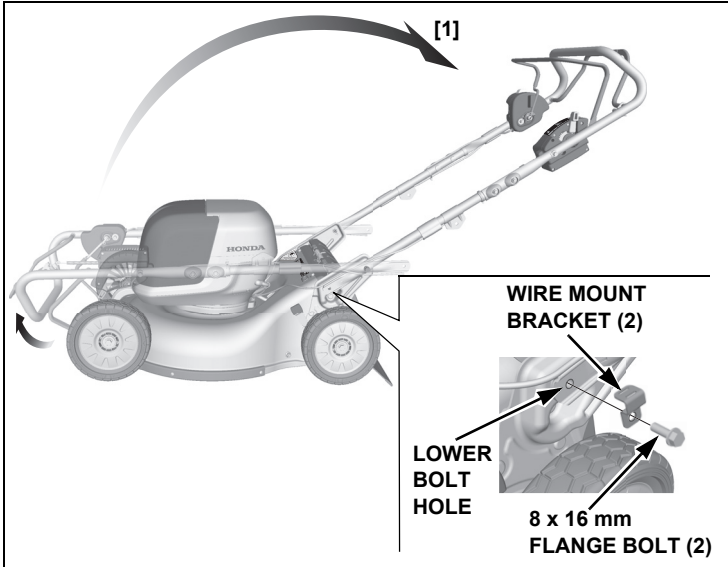


Attach the Handlebar

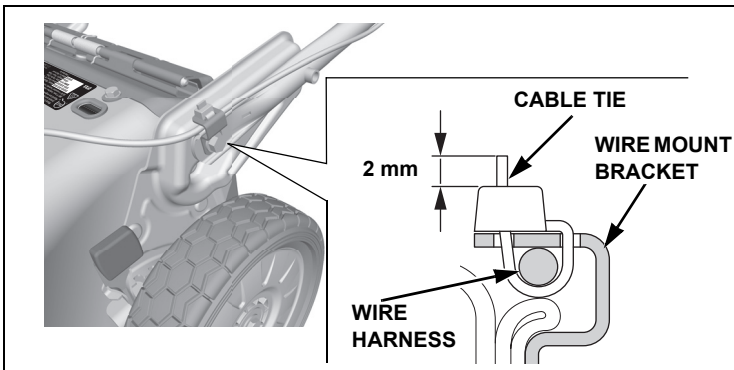
1. Align the handlebar's lower bolt holes with the holes in the handle stay by rotating the handlebar into the operating position [1], and then holding it in place. Loosely install the two 8 x 16 mm flange bolts and two wire mount brackets.

NOTICE

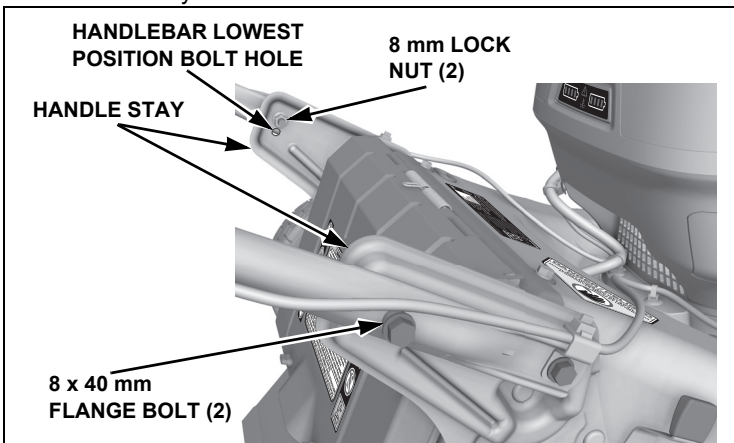
Do not allow the wire harnesses to become caught, pinched, or kinked while unfolding the handlebar. The harnesses or blade control system may become damaged.



2. Position the cable ties in the locations shown.

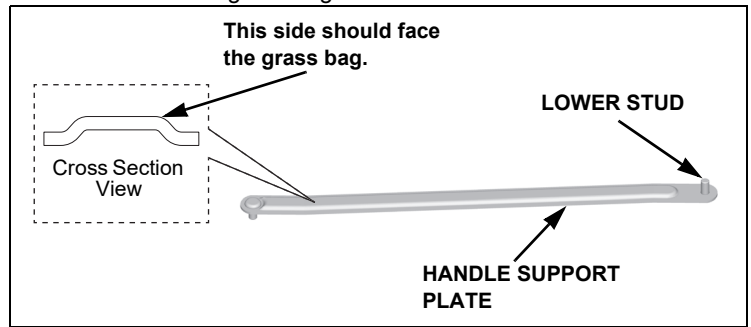


3. The handlebar height can be adjusted to two different heights. It is set in the highest position from the factory. To adjust the handlebar to the lowest position, remove the two 8 x 40 mm flange bolts and 8 mm lock nuts, and then reposition into the lower holes in the handle stays. Tighten the flange bolts and lock nuts securely.

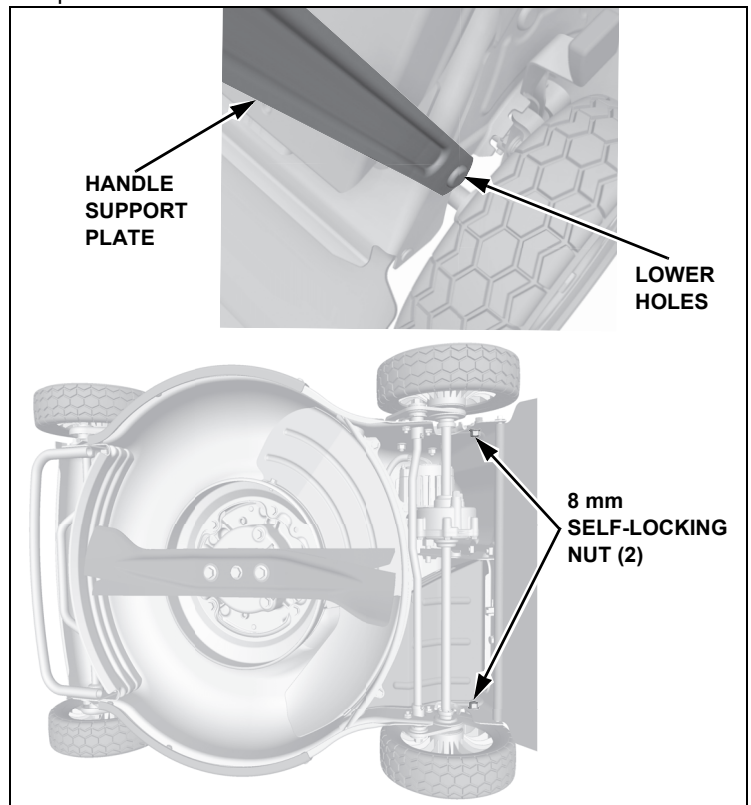


4. Tighten both lower handlebar flange bolts securely.

5. Lower the rear height adjusters to the lowest cutting height position (page 10).
6. Tilt the mower on its right side.
7. The handle support plates have a curvature to them (rounded on one side and dished on the other side). The rounded side should face toward the grass bag.



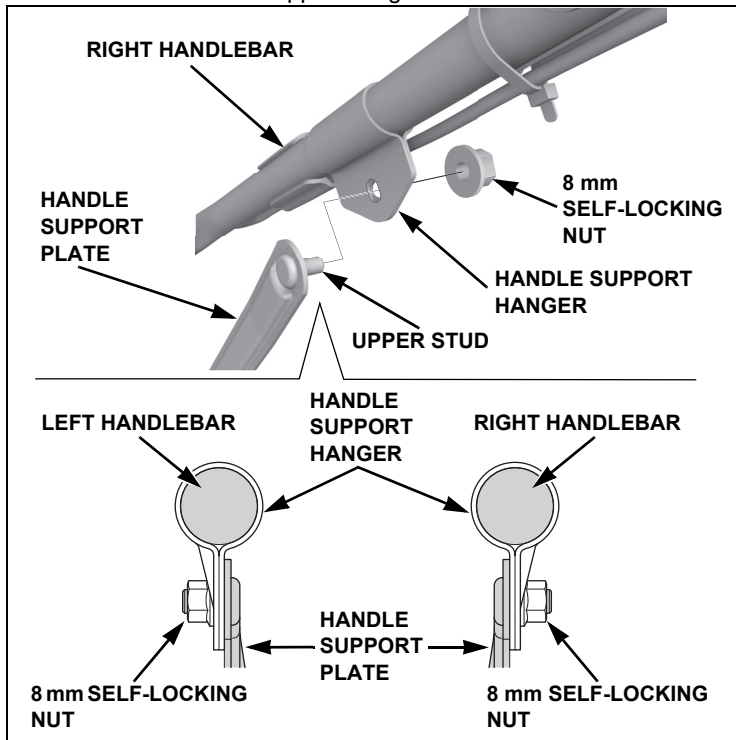
8. Insert the lower stud on the end of the handle support plates into the lower holes in the sides of the mower deck, and then loosely install the 8 mm self-locking nut on both lower studs from the inside of the mower deck. Do not fully tighten the nuts at this point.



9. Tip the mower back onto its wheels.

- Remove the cardboard packaging between the handle support hangers and the handlebar.

From the grass bag side of the handlebar, insert the upper stud on the end of each handle support plate through the handle support hanger. Make sure the upper stud goes through both holes in the handle support hanger.



- Install an 8 mm self-locking nut onto each upper stud.
- Tighten all four 8 mm self-locking nuts on the handle support plate studs.

Battery

⚠ WARNING

Handling the battery with wet hands or in rainy conditions can create an electric shock hazard.

You can be electrocuted and seriously injured if you are shocked.

Never handle the battery with wet hands or in rainy conditions.

⚠ CAUTION

Incorrectly holding the battery while inserting the battery into the battery compartment or installing the battery too forcefully can cause a pinch hazard.

Your fingers can be pinched and injured if they become trapped between the battery pack and battery compartment.

Be careful when inserting the battery pack and keep your fingers clear of contacting the battery compartment.

Your mower can operate using only one battery pack or two battery packs. When using one battery pack, it can be installed in either battery bay location.

The mower will operate normally when using mixed Amp hour sized batteries. For example, you may use one 8 Ah battery and one 12 Ah battery. The length of mowing time will depend on the size of the battery and state of charge for each battery.

Charging the Battery Pack

- Refer to the owner's manual for battery pack and charger.

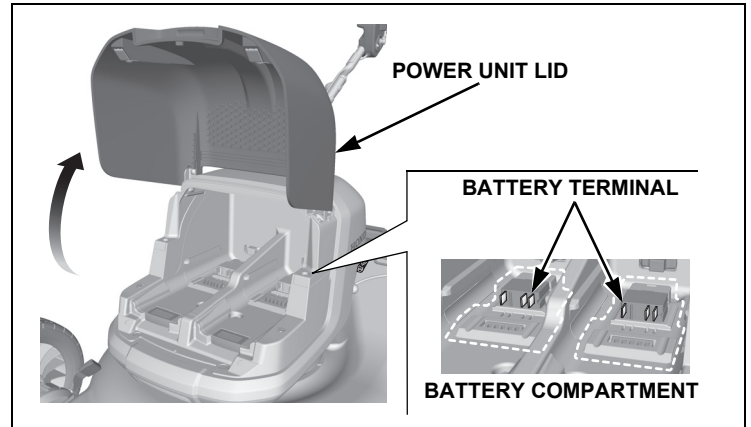
Installation

The battery installation steps are the same for both battery bays.

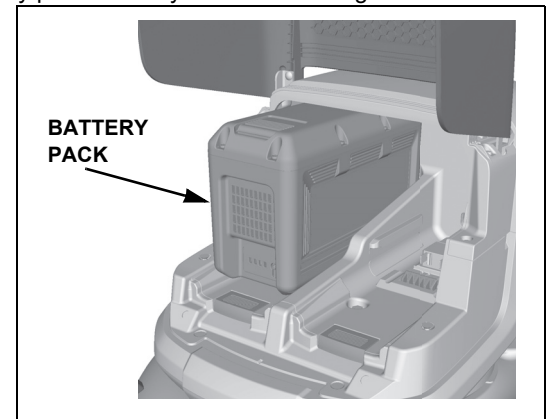
- Lift the power unit lid.

NOTICE

Ensure that the battery compartment and battery terminals are clean. The battery and power unit can overheat or become damaged if the battery terminals are dirty.



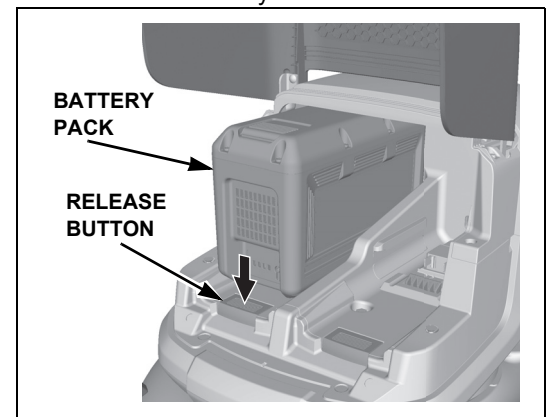
- Hold the power unit lid open while inserting the battery pack. Push the battery pack in until you hear a clicking sound.



- After ensuring the battery pack is securely connected, close the power unit lid gently.

Removal

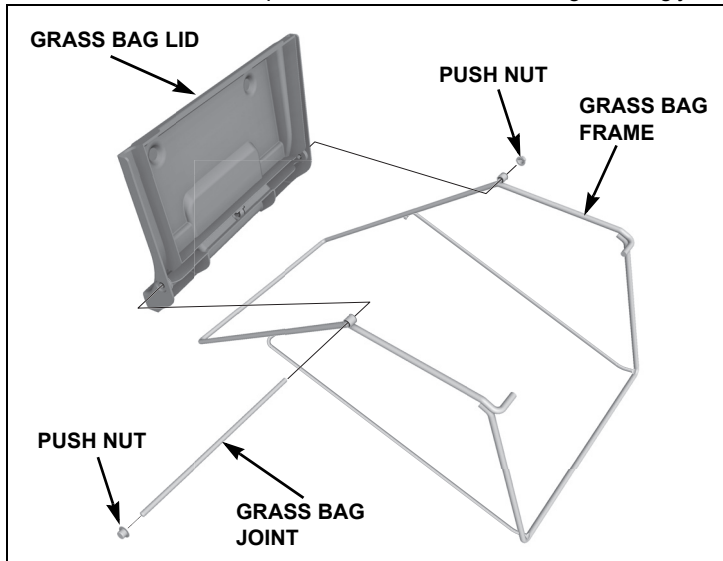
- Lift and hold the power unit lid open.
- Press the release button until the battery latch releases.



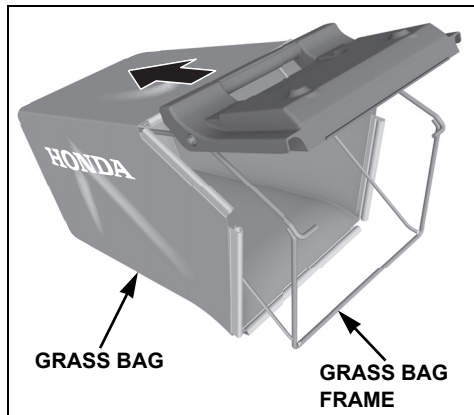
- Remove the battery pack.
- Close the power unit lid gently.

Assemble the Grass Bag

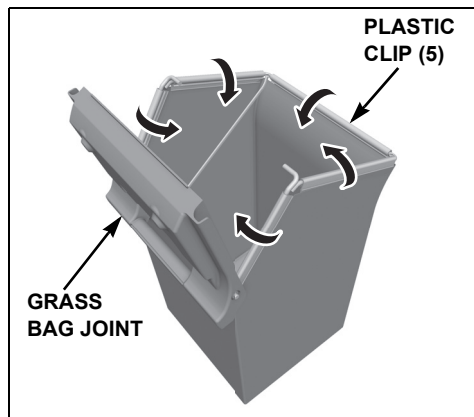
1. Insert the grass bag joint through the grass bag lid and grass bag frame. Secure with a push nut on each end of the grass bag joint.



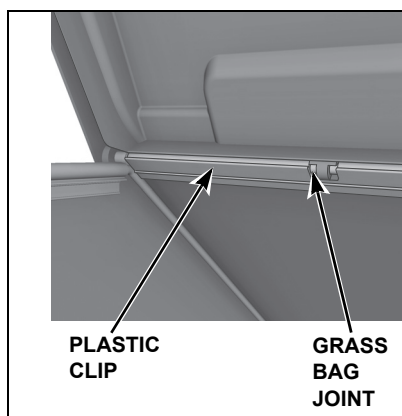
2. Insert the grass bag frame into the grass bag as shown.



3. Secure the five plastic clips to attach the bag to the frame.



4. Secure the upper plastic clips around the grass bag joint.



Please Register Your Mower

For USA

For mowers purchased in the USA, please take a few minutes and register your purchase with Honda. You can register by:

- Scanning the QR code to the right and completing the online form
- Going online to powerequipment.honda.com/reg



Before Using Your Lawn Mower

Before using the lawn mower, all mower operators must read the following sections:

- **FOR YOUR SAFETY** (page 2)
- **BEFORE EACH OPERATION** (page 8)
- **OPERATION** (page 10)
- **MAINTENANCE SCHEDULE** (page 15)

BEFORE EACH OPERATION

Your safety is your responsibility. A little time spent in preparation will significantly reduce your risk of injury.

Read and understand this manual. Know what the controls do and how to operate them.

Familiarize yourself with the lawn mower and its operation before you begin using it. Know how to quickly shut off the lawn mower in case of an emergency.

Check Your Mower

For your safety, and to maximize the service life of your lawn mower, it is very important to take a few moments before you operate the lawn mower to check its condition. Be sure to take care of any problem you find, or have your servicing dealer correct it, before you operate the lawn mower.

⚠ WARNING

Improperly maintaining this lawn mower, or failing to correct a problem before operation, could cause a significant malfunction.

Some malfunctions can seriously hurt or kill you.

Always perform a pre-operation inspection before each operation, and correct any problem.

- Make sure the lawn mower is on a level surface.
- Look for signs of damage.
- Check each control for proper operation.
- Check the blades for wear. Replace as necessary (page 16).
- Check that the blade mounting bolts are tight (page 16).
- Check that all nuts, bolts, and screws are tightened.
- Check the battery level (page 11). Starting with a fully charged battery will help to eliminate or reduce operating interruptions to charge the battery.

Check Your Mowing Area

For your safety and the safety of others, always inspect the area before operating the lawn mower.

Anything that can be picked up by the blades and thrown is a potential hazard to you and others. Look for things like stones, sticks, nails, and wire, and remove them from the lawn area.

People and animals near the lawn area can move into your lawn mower's path or into a position where they could be struck by thrown objects. Clear the area of pets and people, especially children. Their safety is your responsibility. Use extra care when approaching blind corners, shrubs, trees, or other objects that may block your view of a child.

Check the height and condition of the grass. Adjust your lawn mower cutting height, ground speed, and mowing swath accordingly. See [page 13](#) for mowing tips and recommendations.

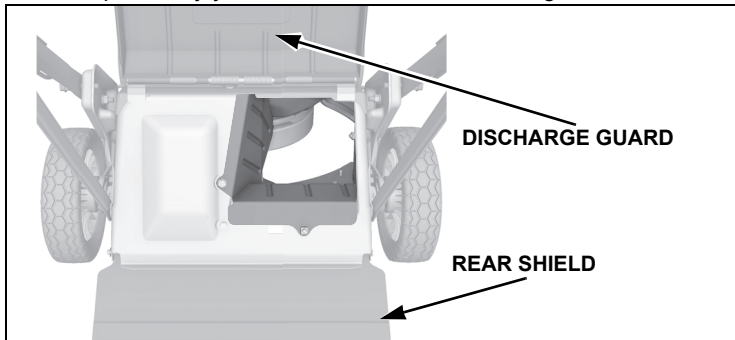
Check the Lawn Mower Operation

Ensure your mower is operating properly by starting the power unit and blade rotation, checking for any malfunctions, abnormal noises or vibrations, and then ensure the power unit and blades stop rotating when the blade control lever is released.

If there is a malfunction, abnormal noise or unusual vibration, stop the power unit and refer to the TROUBLESHOOTING on [page 19](#) to possible causes. If you cannot determine the problem, contact your servicing dealer.

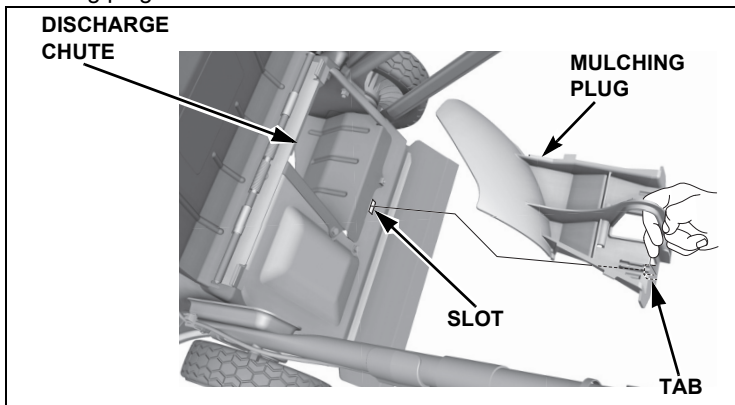
Rear Shield

During normal use, the rear shield is subject to deterioration and wear. Remove the grass bag and raise the discharge guard to check the rear shield for cracks or tears. If the rear shield is excessively worn, have it replaced by your authorized Honda servicing dealer.



Mulching Plug

To mulch the grass clippings rather than bag them, install the mulching plug.



Make sure the tab at the bottom rear of the mulching plug fits snugly into the slot at the back of the discharge chute.

Grass Bag

A lawn mower works like a vacuum cleaner; it blows air through the bag fabric, which traps the grass clippings. Always empty the grass bag before it becomes filled to the limit of its capacity. Bagging performance will diminish after the bag becomes about 90% filled. Also, the bag is easier to empty when it is not packed full.

You can leave the grass bag on the mower during mowing, even when full mulching is selected.

To minimize dust and fine particles from passing through the grass bag fabric, it is best to mow grass in the morning when the grass is damp.

Inspection

During use, the grass bag material is subject to normal wear and tear.

⚠ CAUTION

An excessively worn grass bag may allow objects to be thrown toward the operator.

Thrown objects can hurt you.

Replace a worn grass bag to prevent possible injury.

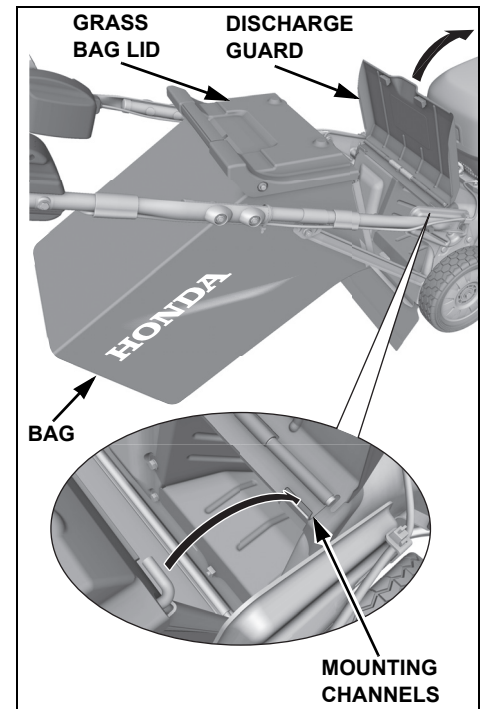
Installing a new grass bag is explained on [page 8](#).

Installation

1. Raise the discharge guard and clean out any grass or debris in the mounting channels with your finger.
2. Hook the grass bag onto the mower deck as shown.
3. Release the discharge guard to secure the grass bag.

Removal

1. Raise the discharge guard, grasp the grass bag handle, and remove the grass bag.
2. Release the discharge guard.
3. When the grass bag is clear of the discharge guard, you can lift it through the handlebar opening or remove it to the rear of the mower below the handlebar.



Cutting Height Adjustment

Always remove the battery pack before adjusting the cutting height.

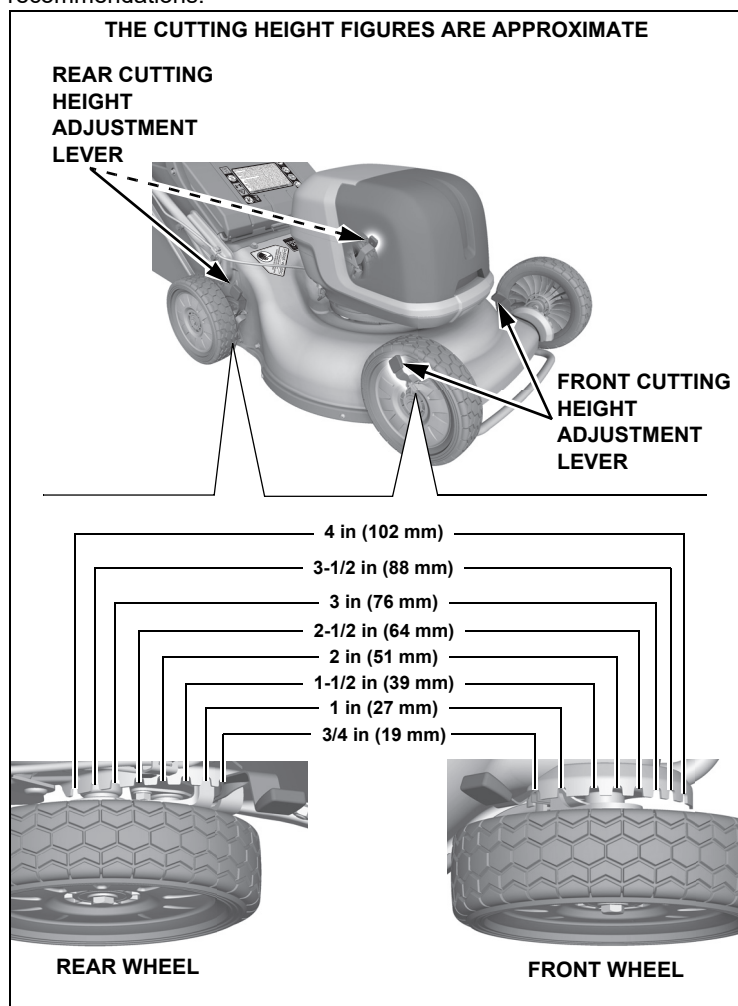
There is a cutting height adjustment lever for each wheel. To adjust the cutting height, pull each adjustment lever toward the wheel and move the lever into another notch. Move all four adjustment levers to the same height setting.

To set the mower to its maximum height, move the two rear wheel adjusters all the way to the back, and move the front wheel adjusters all the way to the front.

To set the mower to its lowest height, move the two rear wheel adjusters all the way to the front, and move the front wheel adjusters all the way to the back.

If you are not sure what cutting height to select, start with a high setting and check the appearance of the lawn after mowing a small area. Readjust the cutting height if necessary. The actual height of cut grass will vary with lawn and soil conditions.

Refer to the "Mowing Tips" on page 13 for additional cutting height recommendations.



OPERATION

Safe Mowing Practices

Most injuries and property damage with walk-behind mowers can be prevented if you follow all instructions in this manual and on the mower. The most common hazards are discussed below, along with the best way to protect yourself and others.

General

Do not pull the mower backward unless absolutely necessary. Always look down and behind before and while moving backward.

Operate the mower only in daylight or good artificial light.

Do not operate the mower after consuming alcohol or drugs.

Avoid Rotating Blades

Rotating blades can cause serious cuts and even amputate fingers, hands, toes, or feet. Keep away from the mower deck whenever the power unit is running. If you need to adjust the cutting height or work around the deck for any other reason, always shut off the power unit and remove the battery pack. Wear heavy gloves and remove the battery pack when you need to clean the mower deck or handle the blades.

⚠ DANGER

The blades are sharp and spin at high speed. If you come in contact with a spinning blade, it will cut you severely and can amputate fingers and toes.

- Wear protective footwear.
- Keep your hands and feet away from the mower deck while the power unit is running.
- Remove the battery pack before performing any adjustment, inspection, or maintenance.

Clear Mowing Area

Mower blades can throw rocks and other objects with enough force to cause serious injury. Before mowing, carefully inspect the area and remove all sticks, stones, pieces of wire, and other loose objects. Never operate the blades over gravel.

NOTICE

Striking objects with the spinning blades can cause severe power unit damage, which is not covered by the DISTRIBUTOR'S LIMITED WARRANTY.

Keep Shields in Place

Guards and shields are designed to protect you from being hit by thrown objects and from hot power unit parts and moving components. For your safety and the safety of others, keep all shields in place when the power unit is running.

Wear Protective Clothing

Wearing protective clothing will reduce your risk of injury. Long pants and eye protection reduce the risk of injuries from thrown objects. Sturdy shoes with aggressive soles will help protect your feet and give you better traction on slopes or uneven ground.

Stop the Power Unit When Not Mowing

If you need to leave the mower for any reason, even just to inspect the lawn ahead, always release the blade control lever and stop the power unit.

Avoid Slopes

Avoid steep slopes of more than 20°. Mow across slopes, not up and down. Be careful when changing direction. Mowing on a slope when the grass is damp or wet could cause you to slip, fall, and lose control of the mower. Never operate the mower in wet grass.



Keep all four wheels on the ground, and be careful to avoid losing your footing and your control of the mower. Keep a firm grip on the handlebar, and walk, never run, with the mower. Be very careful when mowing uneven or rough ground. Do not mow near drop offs, ditches, or embankments. You could lose your footing or balance.

If stuck, do not kick or shove the mower with your foot. Use the handlebar to control the mower.

Avoid Obstacles

Gravel, loose stones, and landscaping material can be picked up by the mower and thrown many feet with enough force to cause serious personal injury and/or property damage. Never direct discharged material toward anyone. Avoid discharging material against a wall or obstruction. Material may ricochet back toward the operator. The best way to prevent potential injury from thrown objects is to release the blade control lever to stop the blades before reaching areas with gravel, loose stones, or landscaping material.

Be careful when mowing over obstacles that stick up above the surface of the lawn such as sprinkler heads, paving, edging, raised tree roots, etc.

If the blade hits something, or if the mower starts to vibrate, stop the mower immediately and check for damage (page 16). Striking objects may damage the blades, bend the motor shaft, and/or break the mower deck or other components. Vibration usually indicates serious trouble.

⚠ WARNING

A worn, cracked, or damaged blade can break, and pieces of the damaged blade can become dangerous projectiles.

Blades thrown from the mower could seriously hurt or kill someone.

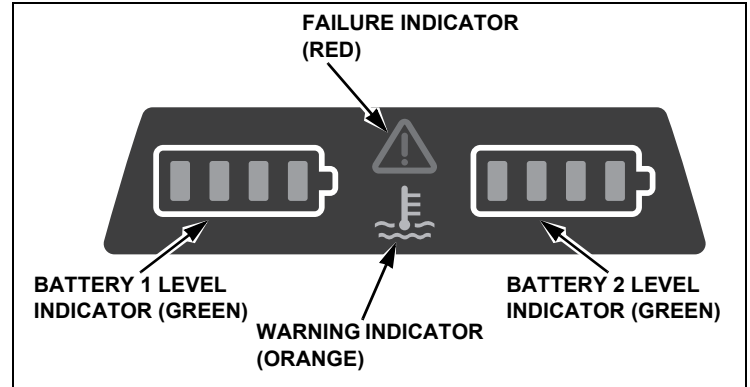
Inspect the blades regularly (see page 16), and do not operate the mower with a worn or damaged blade.

The *DISTRIBUTOR'S LIMITED WARRANTY (USA)* (page 24) and the *DISTRIBUTOR'S WARRANTY (CANADA)* (page 25) does not cover parts damaged by accidental impact collision.

Indicator Panel

The indicator panel provides the battery's current battery level, as well as informs the operator if there is a problem or failure with the lawn mower.

The failure and warning indicators will light up momentarily when the start button is pressed for 2 seconds.

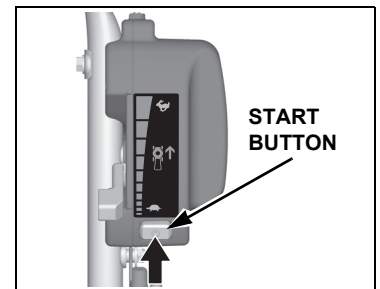


Battery Level Indicator

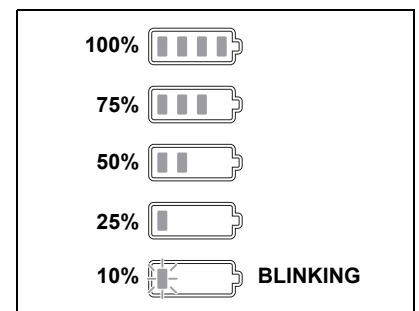
The battery level indicator shows the current battery pack charge level and is displayed using four LED bars. One bar equals to 25% of battery charge. If only one bar of the battery indicator is blinking, the battery has approximately 10% charge left and requires charging.

The battery level indicator remains on any time the mower is in operation. The battery level indicator will remain on for 3 minutes after all controls have been released. If the speed lever, blade control lever or start button is not used for 3 minutes, the battery level indicator will turn off.

1. Press the start button for 2 seconds to turn on the battery level indicator.



2. The battery level indicator will display the battery's current state of charge as shown below.



Failure Indicator

The failure indicator blinks at different intervals for situations such as low battery charge level, overheated battery pack, or internal failures within the power unit. See page 20 for more information.

Warning Indicator

The warning indicator blinks if the battery pack requires charging, or if the blade control lever or blade control button are being incorrectly operated. See page 20 for more information.

Headlight

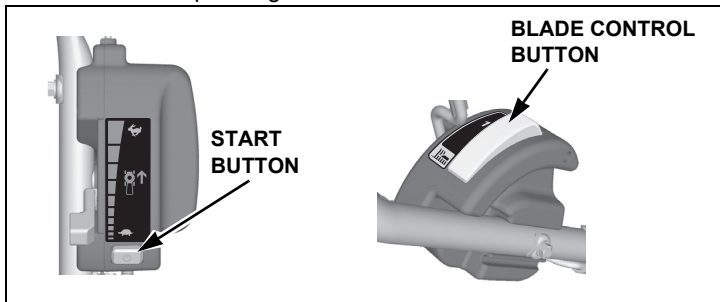
The headlight turns on while the mower is in operation or when the blade control lever, blade control button or start button are activated. The headlight will remain on for 3 minutes after all controls have been released. If the blade control lever, blade control button or start button is not used for 3 minutes, the headlight will turn off.

Operating the Controls

Blade Control Button and Start Button

The blade control button acts as a safety switch to prevent accidental blade rotation.

Pressing and holding the start button for 2 seconds will turn the power unit ON, which causes the Indicator Panel and Headlight to turn on. Before the cutting blades can rotate, the blade control button must be held down before operating the blade control lever.



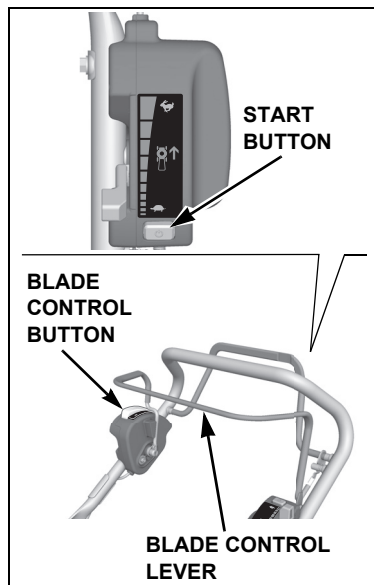
Blade Control Lever

Press the start button for 2 seconds.

Press and hold the blade control button, and then pull the blade control lever back against the handlebar to begin blade rotation.

Continue to hold the lever fully against the handlebar. This will keep the motor and blades rotating.

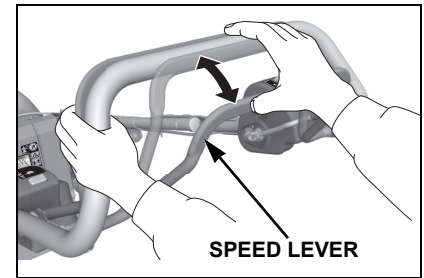
Release the blade control lever to stop the motor and stop blade rotation whenever you need to leave the mower.



Speed Lever

With the power unit ON and the blade control lever held against the handlebar, push and hold the speed lever against the handlebar to propel the mower forward.

Release the speed lever to stop the mower's forward movement.



You can control self-propelled speed with the speed lever. The mower will move gradually faster as you push the speed lever forward. If you push the lever all the way forward to the handlebar, the mower will move at the speed determined by the shift lever setting.

When moving and using the speed lever to change self-propelled speed, continue to fully hold the blade control lever against the handlebar. The power unit will turn off if the blade control lever is released. Use the shift lever to change the maximum speed so you can hold the speed lever comfortably against the handlebar.

For self-propelled mowing, start the power unit by pressing the power button. Press and hold the blade control button while pulling the blade control lever back against the handlebar to start the blade rotation. Push the speed lever forward, toward the handlebar, to begin moving. Adjust the shift lever to control the forward speed of the mower.

Always release the speed lever before starting the power unit.

See [page 13](#) for information on the Transport Mode.

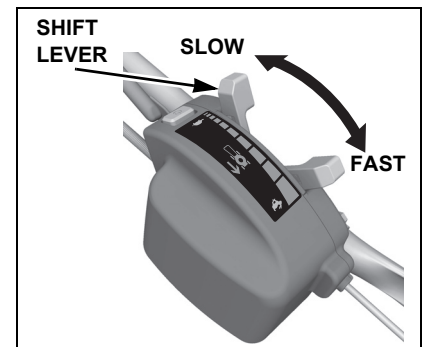
Shift Lever

Use the shift lever to select the forward speed at which you wish to mow.

The position of the shift lever determines the maximum ground speed when the speed lever is fully engaged.

If you wish to momentarily slow the mower during operation, partially release the speed lever, then resume your normal speed by pushing the speed lever forward again. It is not necessary to move the shift lever for momentary speed reduction.

For maximum mowing performance, use the lower speed range for mowing and the higher speed range for transporting.



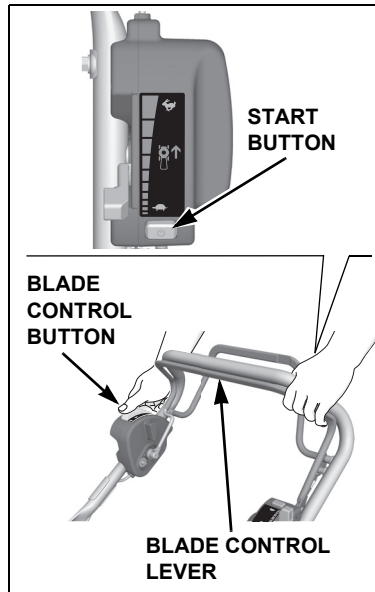
Starting the Power Unit or Mower

Press the start button for 2 seconds to turn the power unit ON. The indicator panel and headlight on the power unit will turn on.

To begin mowing, start the power unit and blades in a clear or mowed area where the blades can spin freely.

1. Press the start button for 2 seconds.
2. Press and hold the blade control button.
3. Pull back on the blade control lever and hold it against the handlebar. Listen for the blades to begin spinning.
4. Release the blade control button.

Continue to hold the blade control lever against the handlebar; the power unit stops blade rotation when the blade control lever is released.

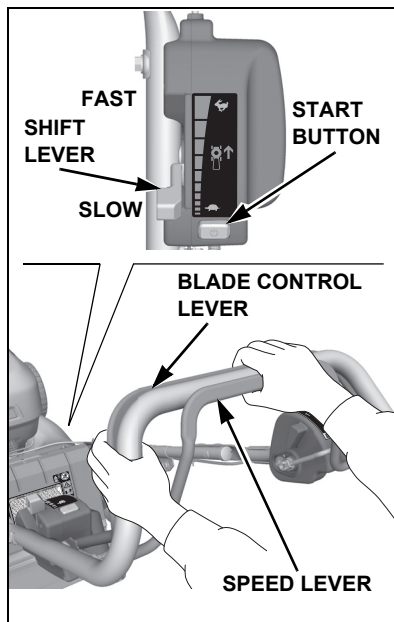


Transport Mode

This mower feature a transport mode to propel the mower forward without having the blades rotating. This feature makes it easier and safer to transport the mower to or from the mowing area, instead of manually having to push the mower.

With the power unit ON and the blade stopped, slowly push the speed lever to propel the mower forward.

1. Press the start button for 2 seconds.
2. Move the shift lever to the slowest position.
3. Without pressing the blade control button, pull back on the blade control lever and hold it against the handlebar.
4. Push the speed lever forward and hold it against the handlebar.
5. Carefully move the shift lever to select the forward speed that you wish to mow.



Stopping the Power Unit or Mower

1. Release the blade control lever to stop the blades. The power unit and headlight will automatically turn off if the blade control lever or blade control button is not used for 3 minutes.
2. Clean your mower after each mowing; refer to "Cleaning" on [page 18](#).

Mowing Tips

When to Mow

Most grasses should be mowed when they have grown ½ to 1 in (12 ~ 25 mm) above their recommended height. More frequent mowing is required for mulching than for bagging. For best mulching results, you may need to mow the lawn twice a week during the growing season.

Cutting Height

Consult a local nursery or lawn and garden center for cutting height recommendations and advice about specific types of grasses and growing conditions in your area.

Most grass has stems and leaves. If you cut off the leaves, you'll scalp the lawn. Let the grass recover between mowings. Your mower will work better, and your lawn will look better.

Cutting grass that is too tall or mowing the lawn too quickly can clog the mower deck with grass and may cause the power unit to stall. If your grass gets too tall, cut it once at the highest cutting height setting using a slow ground speed, then mow again in 2 or 3 days. Don't take off more than one third of the total grass height in any one mowing, or brown patches may develop. Cutting height adjustment is explained on [page 10](#).

Cutting Width

For an even lawn finish, overlap each mowing swath by a few inches. If the grass is very tall or thick, use more overlap and a narrower mowing swath.

Blade Speed

The blades must spin very fast to cut properly. If the motor speed drops, it could mean the motor is being overloaded by the blades trying to cut too much grass. Mow a narrower swath, move the mower slower, use the rear discharge chute, or raise the cutting height.

Blade Sharpness

A sharp blade cuts cleanly. A dull blade tears the grass, leaving shredded ends that turn brown. When your blades don't cut cleanly anymore, have them sharpened or replaced.

Dry Grass

If the ground is too dry, mowing will stir up a lot of dust. Besides being unpleasant to work in, too much dust will clog the power unit air inlet and exhaust. If dust is a problem, water your lawn the day before mowing. Mow when the grass is dry to your touch, but the soil is still moist.

Wet Grass

Wet grass is slippery and can make you lose your footing. Also, wet grass clippings will clog the mower deck and collect in clumps on the lawn. Always wait for wet grass to dry before mowing.

Fallen Leaves

When equipped with the grass bag, your mower can be used to pick up fallen leaves for disposal. If using the mower to bag large amounts of fallen leaves, and not for mowing, adjust the front cutting height adjustment lever so the front of the mower deck is one or two settings higher than the rear.

If you want to mulch fallen leaves into your lawn, don't let the leaf cover get too deep before you begin. For best results, start mulching while grass still shows through the leaf cover. In places where fallen leaves completely cover the grass, remove the leaves by raking, or install a grass bag, so your mower can pick them up for disposal.

Clogged Mower Deck

Before clearing a clogged mower deck, stop the mower and remove the battery pack.

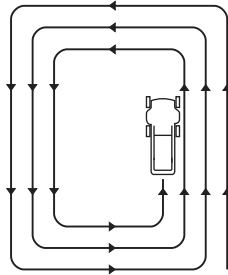
Clear a clogged deck with a stick, not your hands.

Mowing Patterns

Your Honda mower will work most efficiently if you use the following mowing patterns as much as possible. Mower deck and equipment design, and the direction in which the blade rotates, cause these mowing patterns to provide the best results.

Mulching

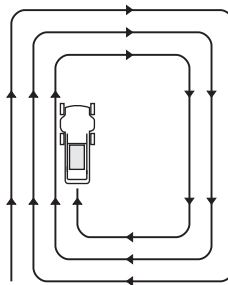
Use a counterclockwise mowing pattern. If the lawn has an irregular shape, or many obstacles, divide it into sections where you can use counterclockwise patterns.



MULCHING PATTERN

Bagging

Use a clockwise mowing pattern. This will give the best bagging performance, leaving the least amount of clippings on the lawn.



BAGGING PATTERN

SERVICING YOUR MOWER

Proper maintenance is essential for safe, economical, and trouble-free operation.

⚠ WARNING

Improperly maintaining this lawn mower, or failing to correct a problem before operation, could cause a significant malfunction.

Some malfunctions can seriously hurt or kill you.

Always perform a pre-operation inspection before each operation, and correct any problem.

To help you properly care for your mower, the following pages include a maintenance schedule, routine inspection procedures, and simple maintenance procedures using basic hand tools. Other service tasks that are more difficult or require special tools are best handled by professionals and are normally performed by a Honda technician or other qualified mechanic.

The maintenance schedule applies to normal operating conditions. If you operate your mower under severe conditions, such as sustained high load, high temperature, or unusually wet or dusty conditions, consult your servicing dealer for recommendations applicable to your individual needs and use.

Remember that an authorized Honda servicing dealer knows your mower best and is fully equipped to maintain and repair it. To ensure the best quality and reliability, use only new, Honda Genuine parts or their equivalents for repair and replacement.

Maintenance Safety

Some of the most important safety precautions follow. However, we cannot warn you of every conceivable hazard that can arise in performing maintenance. Only you can decide whether or not you should perform a given task.

⚠ WARNING

Improper maintenance can cause an unsafe condition.

Failure to properly follow maintenance instructions and precautions can cause you to be seriously hurt or killed.

Always follow the procedures and precautions in this manual.

Safety Precautions

- Make sure the power unit is off, and the battery pack is removed before you begin any maintenance or repairs. This will eliminate several potential hazards:
 - **Injury from moving parts.**
Do not run the power unit unless instructed to do so.
- Read the instructions before you begin, and make sure you have the tools and skills required.

Maintenance Schedule

Item	Action	Before each use	50 hours of use or every 6 months	100 hours of use or every year	See page
Rear shield	Check	○			9
Blades	Inspect	○			16
Blade mounting bolts	Inspect/ Check bolt torque	○			16
Battery location	Clean	○			18
Motor rotation condition	Check	○			9
Power unit air inlet / exhaust	Clean		○ (1)		18
Grass bag	Check	○			9
Blade control operation	Check	○			17
Control Calibration	Calibrate	See footnote ⁽³⁾			17
Ratchet holders and receivers	Clean-lubricate			○ (2)	—

(1) Service more frequently when used in dusty areas.

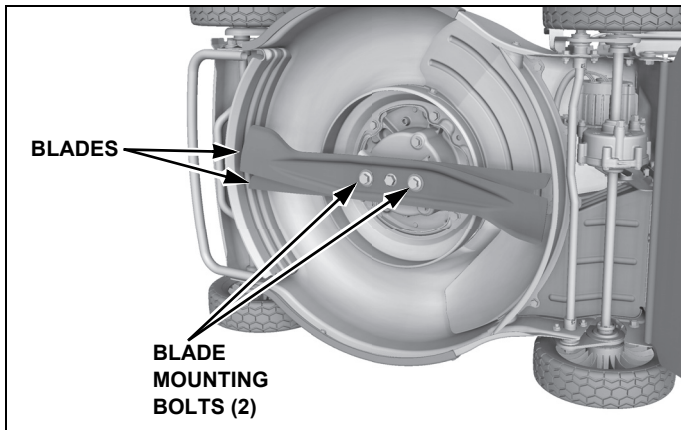
(2) These items should be serviced by an authorized Honda servicing dealer unless you have the proper tools and are mechanically proficient. Refer to the Honda shop manual for service procedures. See "Honda Publications" on [page 23](#) for ordering information.

(3) Control calibration is only necessary if the variable speed transmission does not function properly. Perform the calibration and recheck operation.

Failure to follow this maintenance schedule could result in non-warrantable failures.

Blade Inspection

1. Remove the battery pack (page 7).
2. Tilt the mower over.
3. Inspect the blades for damage, cracks, and excessive rust or corrosion.



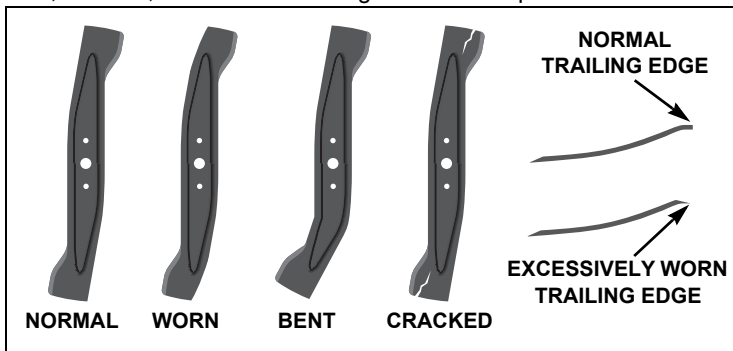
⚠ WARNING

A worn, cracked, or damaged blade can break, and pieces of the damaged blade can become dangerous projectiles.

Blades thrown from the mower could seriously hurt or kill someone.

Inspect the blades regularly, and do not operate the mower with worn or damaged blades.

A dull blade can be sharpened, but a blade that is excessively worn, bent, cracked, or otherwise damaged must be replaced.



If a blade is bent, take the lawn mower to an authorized Honda servicing dealer for inspection.

Blade Mounting Bolt Inspection

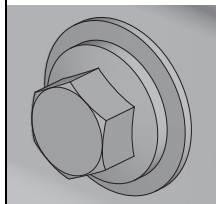
Inspect the blade mounting bolts for any signs of damage or looseness. If they are damaged, they must be replaced.

If the blade mounting bolts appear loose, a torque wrench must be used to accurately tighten the blade mounting bolts to the required torque. If you do not have a torque wrench, take your lawn mower to an authorized dealer to have the blade mounting bolts replaced and/or tightened.

Use only Honda Genuine blade bolts and special washers, since they are specifically designed for this purpose.

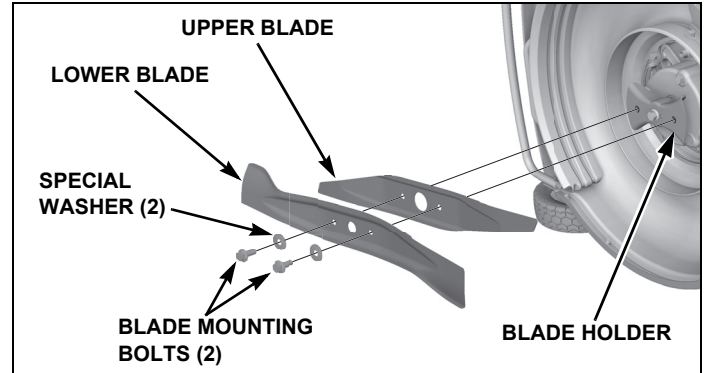
Replacement part numbers are on page 22.

Inspect the washers and blade mounting bolt heads for looseness and damage.



Blade Replacement

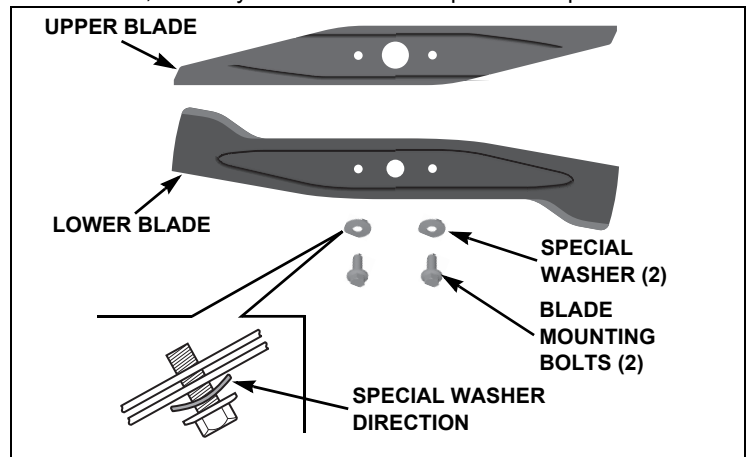
1. Remove the battery pack (page 7).
2. Tilt the mower over.
3. Remove the blade mounting bolts with a 14 mm (6 point) socket wrench. Wear thick leather gloves and hold the blades with your hand to prevent the blades from turning when removing the blade mounting bolts. Remove the blades.
4. Inspect the blade holder and blade mounting surface for damage. If damage is found or the blades have impacted a hard object, the blade holder should also be replaced.



5. Clean dirt and grass from around the blade mounting area.
6. Install the sharpened or replacement blades using the blade mounting bolts and special washers as shown.

Always install both blades as a set.

The blade mounting bolts and washers are specially designed for this application. When replacing the blade mounting bolts and washers, use only Honda Genuine replacement parts.



7. Tighten the blade mounting bolts with a torque wrench. Wear thick leather gloves and hold the blades with your hand to prevent the blades from turning when tightening the blade mounting bolts, as shown on page 17.

Blade mounting bolt torque: 36 ~ 43 ft-lb (49 ~ 59 N·m)

If you do not have a torque wrench, have an authorized Honda servicing dealer tighten the blade mounting bolts.

⚠ WARNING

If the blade mounting bolts are not torqued properly, the blades could loosen and be thrown from the mower.

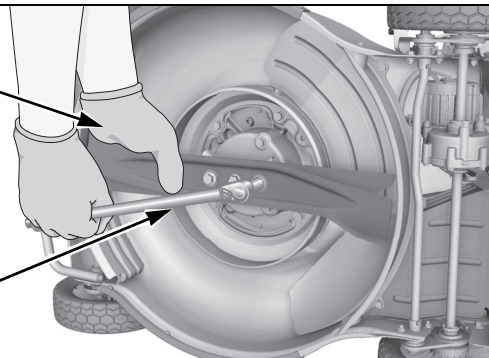
Blades thrown from the mower could seriously hurt or kill someone.

Ensure the blade mounting bolts are torqued properly.

Wear thick leather gloves to hold the blades with your hand to prevent the blades from turning.

TORQUE
WRENCH

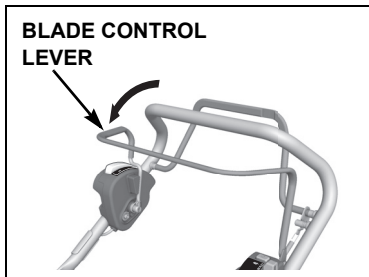
TORQUE:
36 ~ 43 ft-lb
(49 ~ 59 N·m)



Blade Control Check

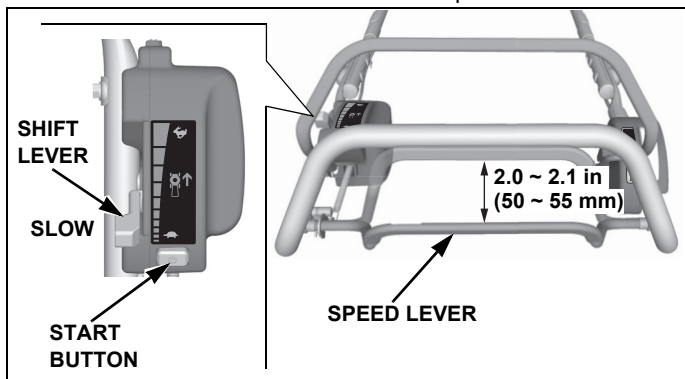
1. Start the power unit outdoors.
2. Release the blade control lever; the blade rotation should stop quickly.

If it does not, take your mower to an authorized Honda servicing dealer for repair.

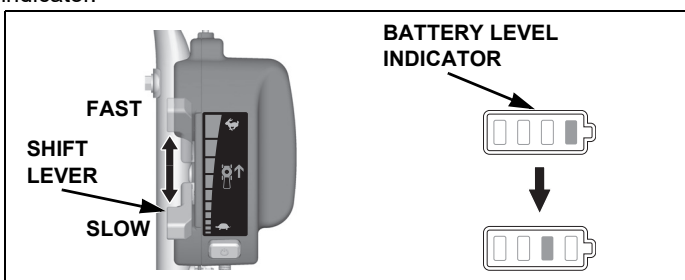


Control Calibration

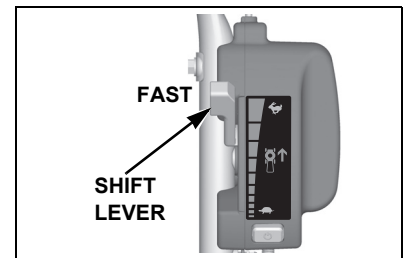
1. Set the speed lever to 2.0 ~ 2.1 in (50 ~ 55 mm) gap to the handlebar. While holding speed lever, press the start button for 2 seconds with the shift lever set to the slow position.



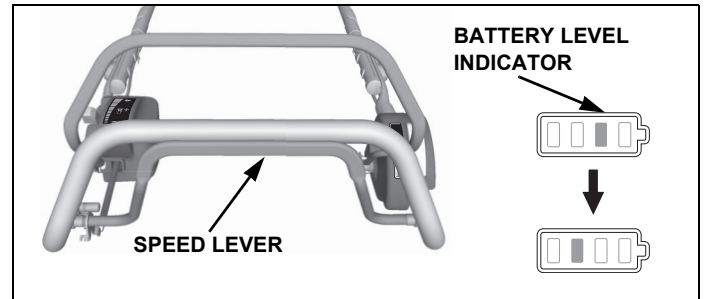
2. While still holding speed lever, quickly move the shift lever from the slow to the fast position for 2 cycles. Keep the speed lever in the position until the battery level indicator moves to the left one indicator.



3. Move the shift lever to the fast position.



4. Move the speed lever to the fast position (touching the handlebar). Keep the speed lever in position until the battery level indicator moves to the left one indicator.



5. Continue holding the speed lever, and then press the start button to turn off the power unit.

The calibration is now complete. Test for proper operation ([page 12](#)). If the speed lever and shift lever do not operate properly, retry the control calibration being sure the speed lever distance is correct and the sequence of steps is being followed.

TRANSPORTING

Always remove the battery pack from the mower before transporting the mower or folding the handlebar.

If installed, remove the grass bag.

If a suitable loading ramp is not available, two people should lift the mower on and off the transport vehicle while holding the mower level.

Position the mower so all four wheels are on the bed of the transport vehicle. Tie the mower down with rope or straps, and block the wheels. Keep the tie-down rope or straps away from the controls, adjustment levers, cables.

STORAGE

Proper storage preparation is essential for keeping your lawn mower trouble free and looking good. To help keep rust and corrosion from impairing your lawn mower's function and appearance, follow the instructions described in this section to:

- Remove the battery pack.
- Clean the mower, power unit air inlet/exhaust, battery location and grass bag.
- Choose a storage location.

Cleaning

Battery Pack and Charger

Refer to the owner's manual for battery pack and charger storage instructions.

Mower Deck

Allow the mower to cool before cleaning.

Before cleaning the underside of the mower deck, remove the battery pack. Wear heavy gloves to protect your hands from the blades.

Clean the underside of the mower deck and the areas surrounding with a soft rag or brush.

NOTICE

Do not use water to wash the machine as it may enter the power unit air inlet/exhaust, damage the electronics inside the power unit, or cause the transmission, controls, or cables to prematurely rust or corrode.

Power Unit Air Inlet / Exhaust

Clean dirt and grass from around the air inlet and exhaust with a soft rag or towel.

Battery Compartment

Clean dirt and grass from the battery location area and terminal with a soft rag or brush.

Power Unit

Allow the mower to cool before cleaning.

Clean the power unit by hand using a damp soft rag or towel.

NOTICE

Do not use water to wash the machine as it may enter the power unit air inlet/exhaust, damage the electronics inside the power unit, or cause the transmission, controls, or cables to prematurely rust or corrode.

Grass Bag

Remove the bag from the mower, and wash it with a garden hose or pressure washer. Allow the bag to dry completely before storage.

Storage Preparations

After cleaning the lawn mower, Place the mower with its wheels on a level surface. After the lawn mower is clean, touch up any damaged paint, and coat other areas that may rust with a light film of oil.

Storage Location

With the power unit cool, cover the mower to keep out dust. Do not use sheet plastic as a dust cover. A nonporous cover will trap moisture around the mower, promoting rust and corrosion.

Removing From Storage

Check your mower as described in *BEFORE OPERATION* (page 8).

TROUBLESHOOTING

Power Unit Will Not Start

Possible Cause	Correction
Blade control not engaged	Press and hold the blade control button while pulling and holding the blade control lever against the handlebar (page 12).
Start button not pressed	Press and hold the start button for 2 seconds (page 12).
Battery pack not fully inserted	Fully insert battery pack.

Power Unit Starts and then Stops

Possible Cause	Correction
Battery pack not fully inserted	Fully insert battery pack.
Blade wound with tough long grass	Remove the battery pack and unblock the blade.

Loss of Power

Possible Cause	Correction
Grass is too tall	Raise the cutting height (page 10), cut a narrower swath, use a slower ground speed, or cut more frequently. Instead of mulching, try rear discharging or bagging.
Mower deck is clogged	Clean out the mower deck (page 18).


Vibration

Possible Cause	Correction
Grass and debris lodged under the mower deck	Clean out the mower deck (page 18).
Blades loose	Tighten loose blade mounting bolts (page 16).
Blades bent, damaged, or unbalanced by improper sharpening	Take the mower to an authorized Honda servicing dealer for repair.
Mechanical damage, such as a bent motor shaft	

Mowing and Bagging Problems

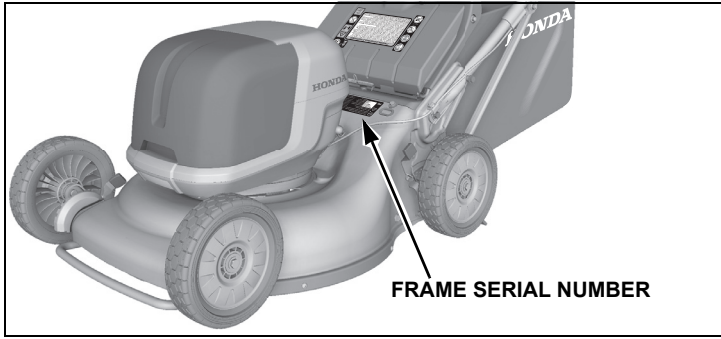
Possible Cause	Correction
Mower is moving too fast for lawn conditions	Choose a slower shift lever setting or apply less pressure to the speed lever.
Mower leaves behind cut grass when bagging	Grass bag may be full. Empty the grass bag.
Cutting height adjustment levers set at different positions	Set all levers at the same cutting height position (page 10).
Grass bag clogged	Wash the grass bag (page 18).
Grass bag full	Empty the grass bag.
Mower deck is clogged	Clean out the mower deck (page 18).
Blades dull, worn, or damaged	Sharpen or replace the blades if necessary (page 16).
Wrong blades installed	Install correct blades (page 22).

Mower Status with Indicator Display

Display status							Correction
BATTERY 1 or 2				⚠	⚡		
							
1	2	3	4				
Blinking					Blinking	Charge the Battery pack.	
				Blinking			
				ON		Remove the battery pack and reinsert. If the error persists, it is recommended to discontinue using the battery, use a different battery, and contact your servicing dealer.	
		ON			Blinking 2 times	Do not hold the blade control lever against the handlebar while turning the power unit on or before pressing the blade control button.	
		ON			Blinking 3 times	Do not hold down blade control button while powering ON.	
		ON			Blinking 4 times	Do not hold the start button down in the ON position.	
			ON		Blinking 2 times	Ensure the speed lever is not depressed before starting.	
		ON		Blinking 2 times		Remove the battery pack and reinsert. If the error persists, contact your servicing dealer.	
		ON		Blinking 3 times			
		ON		Blinking 4 times			
		ON		Blinking 5 times			
		ON		Blinking 6 times			
		ON		Blinking 7 times			
		ON		Blinking 8 times			
		ON		Blinking 9 times			
		ON		ON			Allow the mower to cool. Reset the power unit by releasing all controls for at least 3 minutes, and then turn the power unit back on by holding the blade control button for 2 seconds. If the error persists, contact your servicing dealer.
			ON	Blinking 2 times		Remove the battery pack and reinsert. If the error persists, contact your servicing dealer.	
			ON	Blinking 3 times			
			ON	Blinking 4 times			
			ON	Blinking 5 times			
			ON	Blinking 6 times			
			ON	Blinking 9 times			
			ON	ON		Allow the mower to cool. Reset the power unit by releasing all controls for at least 3 minutes, and then turn the power unit back on by holding the start button for 2 seconds. If the error persists, contact your servicing dealer.	
	ON			Blinking 2 times		Fully charge the battery pack and recheck operation. If the error persists, contact your servicing dealer..	
	ON			Blinking 3 times			
	ON			Blinking 4 times			
	ON			Blinking 5 times		Remove the battery pack and reinsert, If the error persists, contact your servicing dealer.	
	ON			Blinking 6 times		Allow the battery pack to cool before continuing operation.	

TECHNICAL INFORMATION

Serial Number Locations



Record the frame serial number in the space below. You will need the serial number when ordering parts and when making technical or warranty inquiries.

Serial number: _____

Date of purchase: _____

Model Types

To identify your mower's type and features, refer to the model descriptions below.

HRC216YXB-EXA6	Honda rotary mower, 21-inch mower deck, Electric variable speed transmission, Microcut® twin blades, 9 inch wheels, double bay battery compartment, USA model.
HRC216YXB-EXC6	Honda rotary mower, 21-inch mower deck, Electric variable speed transmission, Microcut® twin blades, 9 inch wheels, double bay battery compartment, Canada model.

Maintenance

As the power equipment power unit owner, you are responsible for completing all required maintenance listed in your owner's manual. Honda recommends that you retain all receipts covering maintenance on your power equipment, but Honda cannot deny warranty coverage solely for the lack of receipts or for your failure to ensure that all scheduled maintenance has been completed.

Follow the *MAINTENANCE SCHEDULE* on [page 15](#). Remember that this schedule is based on the assumption that your Honda product will be used for its designed purpose. Sustained high-load or high-temperature operation, or use in dusty conditions, will require more frequent service.

Specifications

General Characteristics

Length	61.8 in (1,569 mm)
Width	23.0 in (585 mm)
Overall height*	38.2 in (970 mm)
Dry mass [weight]**	117.5 lb (53.3 kg)
Cutting width	21.3 in (541 mm)
Cutting heights	3/4 ~ 4 in (19 ~ 102 mm)
Wheelbase	25.6 in (650 mm)
Sound power level	93 dB

* Cutting height set at 1 in (27 mm) and handlebar set in highest position.

** Including grass bag and battery.

Power unit Type and Performance

Model	GCE2.0V
Type	2.0 kW Double Bay

Transmission Type and Performance

Transmission type	Variable speed electric motor drive
Ground speeds	0 ~ 4 mph (0 ~ 1.8 m/s)

Maintenance

Item	Description	Page
Blade Mounting Bolt Torque	36 ~ 43 ft-lb (49 ~ 59 N•m)	page 16
Maximum Blade Speed	2,750 ~ 2,850 rpm *	Shop manual

* Do not try to increase the power unit speed above the maximum governed speed; the blades could fracture and come apart.

CUSTOMER INFORMATION

Parts, Accessories, and Service Items

Contact an authorized Honda servicing dealer to purchase any of these (or other) Honda Genuine items for your lawn mower.

Replacement Parts

Item	Part Number	Notes
Lower blade	72511-V0B-N00	Always use an upper and lower blade as a set.
Upper blade	72531-V0B-N00	
Blade mounting bolt	90105-VA3-000	2 required, 10 x 25 mm
Spring washer (special washer)	90502-VG3-000	2 required
Grass bag	81320-V0D-C20	Fabric bag only, no frame
Wheel/tire	44700-VK6-020	Front
	42700-VK6-020	Rear
Battery pack	1D300-V0B-N20	Standard 12 Ah
	1D200-V0B-N20	Option (8 Ah)
Charger	1C600-V0B-N00	Standard
	1C600-V0B-N10	Option (Quick)

Accessories

Item	Part Number	Notes
Lawn mower cover	08P59-VE2-000AH	Custom fitted, waterproof, and breathable
Blade spacer plate	06725-VK6-000	Install in place of the upper blade to allow single blade mowing.

Service items

Item	Part Number	Notes
Matte black touch-up paint	08707-NH105 *	For handlebar only (aerosol can)

* Available in USA only.

Dealer Locator Information

For USA

To find an Authorized Honda Servicing Dealer anywhere in the United States, visit powerequipment.honda.com and click on Find a Dealer.

For Canada

To find an Authorized Honda Servicing Dealer anywhere in Canada: Call (888) 9Honda9 or visit our website: www.honda.ca

Disposal



To protect the environment, do not dispose of this product using standard waste collection. Observe the local laws and regulations or consult your authorized Honda dealer for disposal. Do not dispose of electric equipment together with household waste material. If electrical appliances are disposed of in landfills or dumps, substances can leak and react and enter into the foodchain, damaging your health and well-being. For further information on the disposal of this product, please contact your dealer or your nearest domestic waste collection service.

How to Contact Honda

Honda Power Equipment dealership personnel are trained professionals. They should be able to answer any question you may have. If you encounter a problem that your dealer does not solve to your satisfaction, please discuss it with the dealership's management. The Service Manager or General Manager can help. Almost all problems are solved in this way.

If you are dissatisfied with the decision made by the dealership's management, contact the Honda Power Equipment Customer Relations Office. You can write:

American Honda Motor Co., Inc.
Power Equipment Division
Customer Relations Office
4900 Marconi Drive
Alpharetta, GA 30005-8847

Or telephone: (770) 497-6400 M-F, 9:00 a.m. - 7:30 p.m. ET

Honda Canada, Inc.
180 Honda Blvd. Markham, ON L6C 0H9
or visit www.honda.ca
Telephone: (888) 9HONDA9 Toll Free
(880) 946-6329
Facsimile: (877) 939-0909 Toll Free

When you write or call, please give us this information:

- Model and serial number ([page 21](#))
- Name of the dealer who sold the lawn mower to you
- Name and address of the dealer who services your lawn mower
- Date of purchase
- Your name, address, and telephone number
- A detailed description of the problem

Honda Publications

These publications will give you information for maintaining and repairing your lawn mower.

Owner's Manual

Keep this owner's manual handy so you can refer to it at any time. Consider this owner's manual a permanent part of the lawn mower; please give it to the new owner if you resell the lawn mower.

The information and specifications included in this publication were in effect at the time of approval for printing. Honda Motor Co., Ltd. reserves the right, however, to discontinue or change specifications or design at any time without notice and without incurring any obligation whatever. No part of this publication may be reproduced without written permission.

Shop Manual

For USA

This manual covers complete maintenance and overhaul procedures. It is intended to be used by a skilled technician. Available for purchase by visiting publications.powerequipment.honda.com.

Parts Catalog

For USA

This manual provides complete, illustrated parts lists for your mower. Visit powerequipment.honda.com and then click on *Support* for free online access to parts catalog. It is also available for purchase in paper form by visiting publications.powerequipment.honda.com.



Frequently Asked Questions

For USA

The Honda Power Equipment web site provides additional information for users of Honda power equipment. Visit powerequipment.honda.com and click on FAQs or scan the QR code shown.

DISTRIBUTOR'S LIMITED WARRANTY

Honda Power Equipment

This warranty is limited to the following Honda Power Equipment products when distributed by American Honda Motor Co., Inc., Power Equipment Division, 4900 Marconi Drive, Alpharetta, Georgia 30005-8847. The following warranty applies to products manufactured on or after April 1, 2023.

PRODUCTS COVERED BY THIS WARRANTY	LENGTH OF WARRANTY (from date of original retail purchase)	
	PRIVATE RESIDENTIAL ⁽¹⁾	COMMERCIAL/ RENTAL/ INSTITUTIONAL
HRC Series	24 months	24 months

(1) Private residential: Used in maintaining owner's primary and/or secondary residence. Any other use, including but not limited to informal "for hire" use, is considered commercial/rental/institutional use.

To Qualify for This Warranty:

The product must be purchased in the United States, Puerto Rico, or the U.S. Virgin Islands from American Honda or a dealer authorized by American Honda to sell those products. This warranty applies to first retail purchaser and each subsequent owner during the applicable warranty time period, unless noted otherwise.

What American Honda Will Repair or Replace Under Warranty:

American Honda will repair or replace, at its option, any part that is proven to be defective in material or workmanship under normal use during the applicable warranty time period. Warranty repairs and replacements will be made without charge for parts or labor. Anything replaced under warranty becomes the property of American Honda Motor Co., Inc. All parts replaced under warranty will be considered as part of the original product, and any warranty on those parts will expire coincident with the original product warranty.

To Obtain Warranty Service:

You must, at your expense, take the Honda Power Equipment product, accessory, replacement part, apparel, or the power equipment on which the accessory or replacement part is installed, and proof of purchase to any Honda Power Equipment dealer in the United States, Puerto Rico, or the U.S. Virgin Islands who is authorized to sell and/or service that product, during the dealer's normal business hours. To locate a dealer near you, visit our web site at PowerEquipment.Honda.com and click on Find a Dealer. If you are unable to obtain warranty service or are dissatisfied with the warranty service you receive, contact the owner of the dealership involved; normally this will resolve the problem. However, if you should require further assistance, write or call the Power Equipment Customer Relations Department of American Honda Motor Co., Inc. See "How to Contact Honda" on [page 22](#).

Exclusions:

- Any damage or deterioration resulting from the following:
 - Neglect of the periodic maintenance as specified in this manual
 - Improper repair or maintenance
 - Operating methods other than those indicated in the product owner's manual
 - Increasing engine speed beyond factory specification
 - The use of non-genuine Honda parts, accessories, lubricants, and fluids other than those approved by Honda
 - Exposure of the product to soot and smoke, chemical agents, bird droppings, sea water, salt or other corrosive environments
 - Collision, fuel contamination or deterioration, neglect, unauthorized alteration, misuse, incorporation or use of unsuitable attachments or parts
 - Normal wear and tear (including, but not limited to, normal fading of painted or plated surfaces, sheet peeling, and other natural deterioration)
- Consumable parts: Honda does not warrant parts deterioration due to normal wear and tear. The following parts are not covered by warranty (unless they are needed as a part of another warranted repair): spark plug, fuel filter, air cleaner element, clutch disc, tire, wheel bearing, recoil starter rope, cable, belt, cutter blade, oil, and grease.
- Cleaning, adjustment, and normal periodic maintenance work (carburetor cleaning, engine oil draining, blade sharpening, belt and cable adjustments).
- Any product that has ever been declared a total loss or sold for salvage by a financial institution or insurer.
- Auger and paddle assemblies of snow throwers, tiller tines of roto-tillers, mower blades and mower deck housings, are specifically not warranted against impact damage, including but not limited to, abrasive damage.

Disclaimer of Consequential Damage and Limitation of Implied Warranties:

American Honda disclaims any responsibility for loss of time or use of the product, transportation, commercial loss, or any other incidental or consequential damage. Any implied warranties are limited to the duration of this written limited warranty.

Some states do not allow limitations on how long an implied warranty lasts and/or do not allow the exclusion or limitation of incidental or consequential damages, so the above exclusions and limitations may not apply to you. This warranty gives you specific legal rights, and you may also have other rights which vary from state to state.

Honda Parts, Accessories, and Apparel

This warranty is limited to Honda Power Equipment parts, accessories, and apparel when distributed by American Honda Motor Co., Inc., 4900 Marconi Drive, Alpharetta, Georgia 30005-8847.

PRODUCTS COVERED BY THIS WARRANTY	LENGTH OF WARRANTY (from date of original retail purchase)	
	PRIVATE RESIDENTIAL	COMMERCIAL/ RENTAL/ INSTITUTIONAL
Parts	6 months	3 months
Accessories	12 months	3 months
Apparel	6 months	3 months

To Qualify for This Warranty:

- The parts, accessories, or apparel must be purchased from American Honda or a dealer authorized by American Honda to sell those products in the United States, Puerto Rico, and the U.S. Virgin Islands. Parts and Accessories must be purchased for installation on original Honda equipment or engines to be eligible for warranty coverage. Installing parts and accessories on non-Honda products or engines voids this warranty.
- You must be the first retail purchaser. This warranty is not transferable to subsequent owners.

What American Honda Will Repair or Replace Under Warranty:

American Honda will repair or replace, at its option, any Honda Power Equipment parts, accessories, replacement parts, or apparel that are proven to be defective in material or workmanship under normal use during the applicable warranty time period. Anything replaced under warranty becomes the property of American Honda Motor Co., Inc. The warranty on all parts, accessories, and apparel replaced under warranty will expire coincident with the original warranty on the replaced parts, accessories, or apparel. Parts and accessories installed by a dealer who is authorized by American Honda to sell them will be repaired or replaced under warranty without charge for parts or labor. If installed by anyone else, parts and accessories will be repaired or replaced under warranty without charge for parts, but any labor charges will be the responsibility of the purchaser. Apparel will be repaired or replaced under warranty without any charge.

To Obtain Warranty Service:

You must, at your expense, take the Honda Power Equipment part, accessory, apparel or the Honda Power Equipment on which the part or accessory is installed, and proof of purchase to any Honda Power Equipment dealer in the United States, Puerto Rico, or the U.S. Virgin Islands who is authorized to sell that product, during the dealer's normal business hours. To locate a dealer near you, visit our web site at PowerEquipment.Honda.com and click on Find a Dealer. If you are unable to obtain warranty service or are dissatisfied with the warranty service you receive, contact the owner of the dealership involved; normally this will resolve the problem. However, if you should require further assistance, write or call the Power Equipment Customer Relations Department of American Honda Motor Co., Inc. See "How to Contact Honda" on [page 22](#).

Exclusions:

This warranty does not extend to parts, accessories, or apparel affected or damaged by collision, normal wear, use in an application for which the product was not designed or any other misuse, neglect, incorporation or use of unsuitable attachments or parts, unauthorized alteration, improper installation, or any causes other than defects in material or workmanship of the product. Installing parts and accessories on non-Honda products or engines voids this warranty.

Disclaimer of Consequential Damage and Limitation of Implied Warranties:

American Honda disclaims any responsibility for loss of time or use of the product, or the power equipment on which the product is installed, transportation, commercial loss, or any other incidental or consequential damage. Any implied warranties are limited to the duration of this written warranty. Some states do not allow limitations on how long an implied warranty lasts and/or do not allow the exclusion or limitation of incidental or consequential damages, so the above exclusions and limitations may not apply to you. This warranty gives you specific legal rights, and you may also have other rights which vary from state to state.

PWL50623-Z

DISTRIBUTOR'S WARRANTY

Honda Canada, Inc., 180 Honda Blvd. Markham, Ontario for and on behalf of Honda Motor Co. Ltd., Tokyo, Japan, gives the following written warranty on each new power product manufactured by Honda Motor Co. Ltd., Japan, distributed in Canada by Honda Canada Inc. and sold by authorized Honda Power Equipment dealers. Whenever used herein, the word "Honda" refers to Honda Canada Inc. and/or Honda Motor Co. Ltd. as appropriate from the context.

Honda warrants that each new Honda power product will be free, under normal use and maintenance, from any defects in material or workmanship for the relevant warranty period set forth below. If any defects should be found in a Honda power product within the relevant warranty period, necessary repairs and replacements with a new part or the Honda equivalent shall be made at no cost to the consumer for parts and labour, when Honda acknowledges that such defects are attributable to faulty material or workmanship at the time of manufacture.

Warranty Period

Warranty coverage commences from the original date of sale or when the unit is first put into use as a demonstrator. The following warranty applies to power products purchased at retail or placed into rental service on or after August 1, 2011.

PRODUCTS COVERED BY THIS WARRANTY	LENGTH OF WARRANTY (from date of original retail purchase)	
	PRIVATE RESIDENTIAL	COMMERCIAL/RENTAL/ INSTITUTIONAL
HRC Lawn Mowers	36 months	12 months

This Warranty Covers

- Any Honda power product purchased in Canada from an authorized Honda dealer which has been registered at the time of purchase on a form provided by Honda, which has had set-up and pre-delivery service performed by an authorized Honda dealer and which is normally operated on Canada;
- Any factory installed part (except normal maintenance parts) referred to in "THIS WARRANTY DOES NOT COVER"; and
- Any power product on which required maintenance services have been performed as prescribed in the Owner's Manual.

This Warranty Does Not Cover

- Any repairs required as a result of collision, accident, striking any object, misuse or lack of required maintenance;
- Any repairs required as a result of any attachments, parts or devices installed by or repairs done by a party other than an authorized Honda dealer;
- Any repairs required as a result of any parts not supplied by Honda, and this part is responsible for the failure or malfunction;
- Any power equipment modified, altered, disassembled or remodelled;
- Normal maintenance services, including tightening of nuts, bolts and fittings and engine tune-up and the replacement of parts made in connection with normal maintenance services including filters, spark plugs and wires, fuses, belts, lubricants and other expendables susceptible to natural wear;
- The Honda lawn mower blades and mower deck housings are specifically not warranted against impact damage including, but not limited to, abrasive damage; and
- All accessories or attachments.

The Owner's Obligation

In order to maintain the validity of this DISTRIBUTOR'S WARRANTY, the required maintenance services as set forth in the Owner's Manual must be performed at the proper intervals and detailed receipts and records retained as proof.

To Obtain Warranty Service

You must take the Honda power product, at your expense, during normal service hours, to any authorized Honda Power Equipment dealership. If you are unable to obtain or are dissatisfied with the warranty service you receive, first contact the owner of the dealership involved; this should resolve the problem. If you require further assistance, contact Honda Canada's Customer Relations Department.

Honda Canada, Inc.

180 Honda Blvd. Markham, ON L6C 0H9

or visit www.honda.ca

Telephone: (888) 9HONDA9 Toll Free

(880) 946-6329

Facsimile:(877) 939-0909 Toll Free

Replacement Parts And Accessories Warranty

New Honda Genuine replacement parts or accessories sold to a consumer or installed by an authorized Honda Power Equipment dealer which are not covered by the DISTRIBUTOR'S WARRANTY are warranted for a period of one year from date of purchase, provided, however, that this Replacement Parts and Accessory Warranty does not apply to any replacement parts modified, used with, or installed on a power product for which the replacement parts were not intended. Electrical components that are not installed by the dealer (sold over the counter) are not covered by warranty. Refer to Battery & Charger owners manual.

Entire Written Warranty:

This DISTRIBUTOR'S WARRANTY and the REPLACEMENT PARTS AND ACCESSORY WARRANTY are the only and the entire written warranties given by Honda for Honda power products. No dealer or his agent or employee is authorized to extend or enlarge on these warranties on behalf of Honda by any written or verbal statement or advertisement.

Disclaimer

To the extent the law permits, Honda disclaims any responsibility for loss of time or use of the product, transportation or towing costs or any other indirect, incidental or consequential damage, inconvenience or commercial loss.

Notice To Consumer

The consumer protection, sales of goods and consumer warranty laws of certain jurisdictions (including Quebec) do not allow the exclusion or limitation of certain legal warranties, conditions or representations. The provisions contained in this warranty are not intended to limit, modify, take away from, disclaim or exclude any warranties that you may have under such laws. If these laws apply to you, some or all of the exclusions or limitations in this warranty (including the preceding disclaimer) may not apply and you may have additional rights. To the extent that we may not, as a matter of applicable law, disclaim any implied warranty or condition, the scope and duration of such warranty or condition will be the minimum permitted under such applicable law.

Privacy Statement

The owner information submitted may be used by Honda and its related companies, their dealers, and service providers to communicate marketing, product, and service information to you. If you prefer not to receive marketing information, please contact us at 1-888-946-6329.

HONDA



PRINTED IN U.S.A.