

ACCESSORY SETUP INSTRUCTION

HALF WINDSHIELD ASSEMBLY -- PN 5BYV-805200-1000

VALID FOR: MY2020 and Newer ZFORCE 950 & ZFORCE 1000

BEFORE YOU BEGIN: Read and understand the instructions before starting any work. Make sure that all parts are ready and that you have all the tools required for assembly.


NOTE: CFMOTO shall not be liable for any damage caused by incorrect assembly. CFMOTO recommends that all original accessories be assembled by an authorized CFMOTO dealer.

Before assembly, park the vehicle on a flat surface, put the transmission gear into Park (P) and turn off the key switch.

Zhejiang CFMOTO Power Co., Ltd. All rights reserved. Reproduction of this document, even in part, as well as copying of all kinds, is permitted only with the express written permission of the copyright owner.

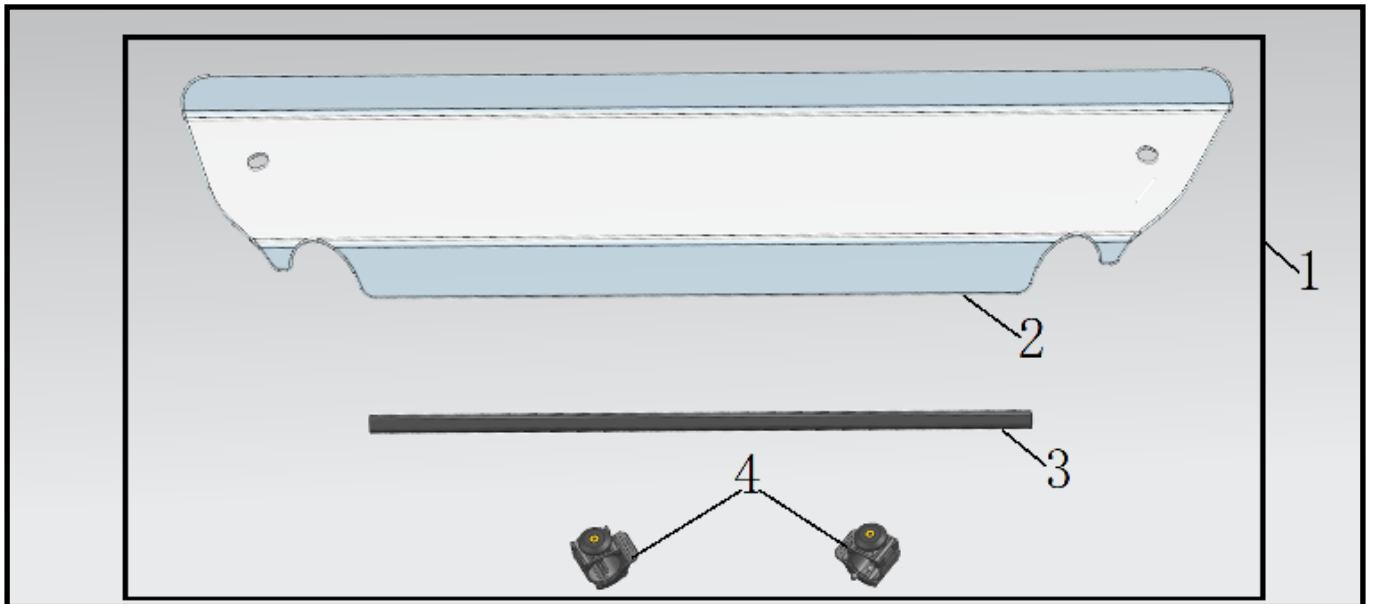
MEANING OF SYMBOLS

 - Indicates information with more details or tips.

 - Indicates information of warning or danger.

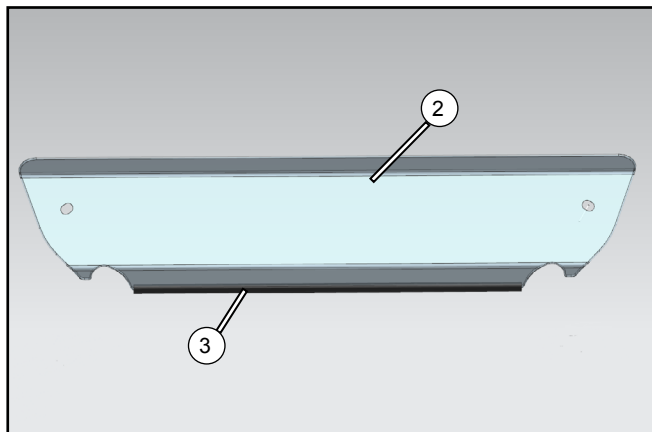
PARTS LIST:

ITEM	PART NAME	PART NUMBER	QTY.	REMARK
1	HALF WINDSHIELD ASSEMBLY	5BYV-805200-1000	1	
2	HALF WINDSHIELD	5BYV-805211-1000	2	
3	SEAL STRIP B	5BYV-805113-1000	1	
4	CLAMP 42	5BYV-805120-1000	2	
/	THREAD LOCKER	/	/	



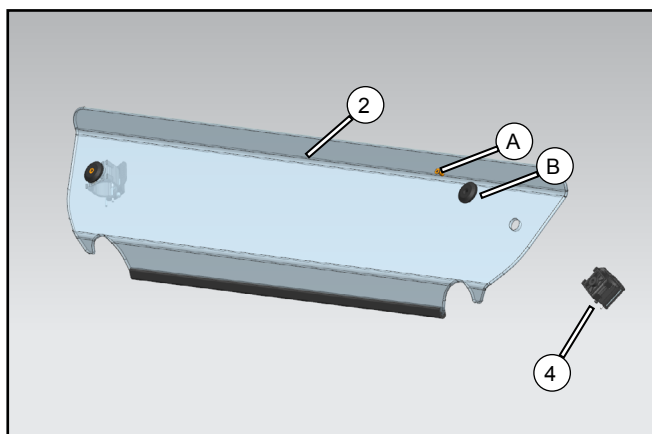
TOOL LIST:

ITEM	DESCRIPTION	QTY.	REMARK
1	PROTECTIVE GLOVES	1	Recommended Tools
2	4mm ALLEN WRENCH	1	

ASSEMBLY and INSTALLATION


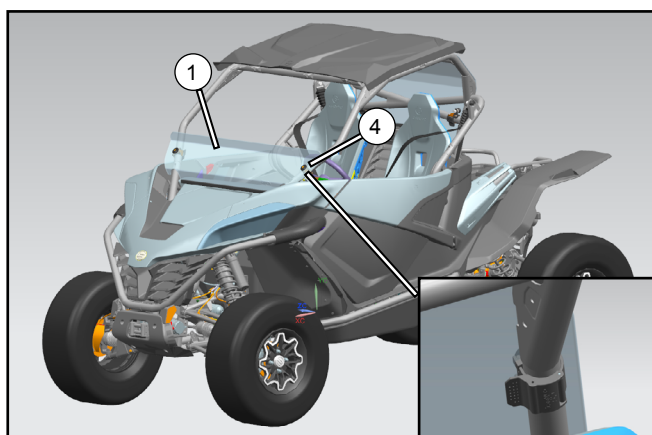
// Install seal strip B (3) to the half windshield (2).

i Remove the protective film from the windshield surface.



// Remove the gaskets (B) and screws (A) from the clamps 42 (4), then install the clamps 42 (4) onto the half windshield (2) with the gaskets (B) and screws (A). *Do not fully tighten bolts at this time.*

i Apply some thread locker to the screw.



// Position the half windshield assembly (1) on the top bar front assembly as shown to determine the clamp positions, then assemble each side with clamps 42 (4). Tighten the screws sufficiently, using care not to over-tighten.