

## ACCESSORY SETUP INSTRUCTION

**LH SIDE DOOR ASSY -- PN 5HYV-807100-1000**

**RH SIDE DOOR ASSY -- PN 5HYV-807200-1000**

VALID FOR: MY2021 and Newer UFORCE 1000 UTVs

**BEFORE YOU BEGIN:** Read and understand the instructions before starting any work. Make sure that all parts are ready and that you have all the tools required for assembly.

**NOTE:** CFMOTO shall not be liable for any damage caused by incorrect assembly. CFMOTO recommends that all original accessories be assembled by an authorized CFMOTO dealer.

Before assembly, park the vehicle on a flat surface, put the transmission gear into Park (P) and turn off the key switch.

**Zhejiang CFMOTO Power Co., Ltd.** All rights reserved. Reproduction of this document, even in part, as well as copying of all kinds, is permitted only with the express written permission of the copyright owner.

### MEANING OF SYMBOLS



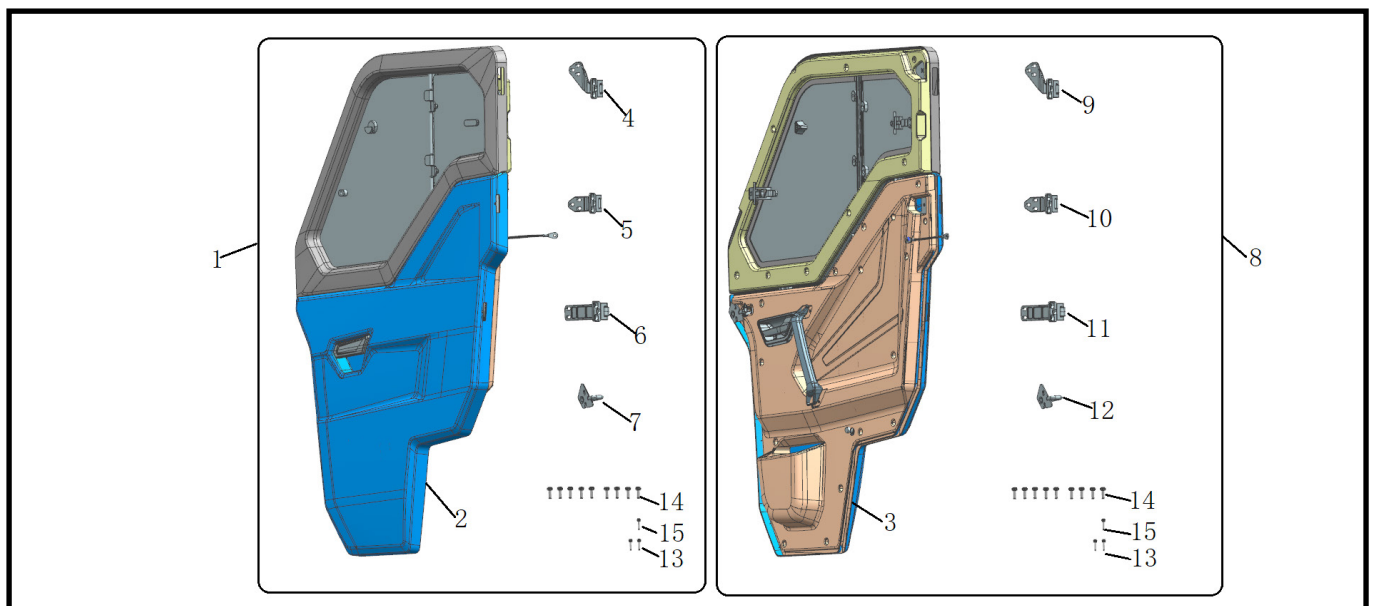
- Indicates information with more details or tips.



- Indicates information of warning or danger.

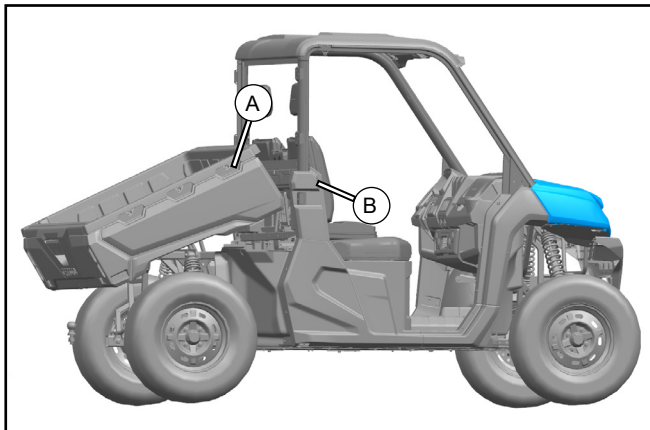
### PARTS LIST:

ITEM	PART NAME	PART NUMBER	QTY.	REMARK
1	LH SIDE DOOR ASSY	5HYV-807100-1000	1	
2	LH SIDE DOOR ASSY	5HYV-807110-1000	1	
3	RH SIDE DOOR ASSY	5HYV-807210-1000	1	
4	LH REAR UPPER HINGE ASSY	5SY0-375500-6001	1	
5	LH UPPER CONNECTING PLATE ASSY	5HY#-372500-1001	1	
6	LH LOWER CONNECTING PLATE ASSY	5HY#-374500-1001	1	
7	LH LATCH PLATE ASSY	5HY0-372020	1	
8	RH SIDE DOOR ASSY	5HYV-807200-1000	1	
9	RH REAR UPPER HINGE ASSY	5SY0-377500-6001	1	
10	RH UPPER CONNECTING PLATE ASSY	5HY#-372600-1001	1	
11	RH LOWER CONNECTING PLATE ASSY	5HY#-374600-1001	1	
12	RH LATCH PLATE ASSY	5HY0-374020	1	
13	BOLT M8×20	30006-080020810	4	
14	SCREW M8×16	30122-080016810	18	
15	BOLT M6×22	8010-040038	2	

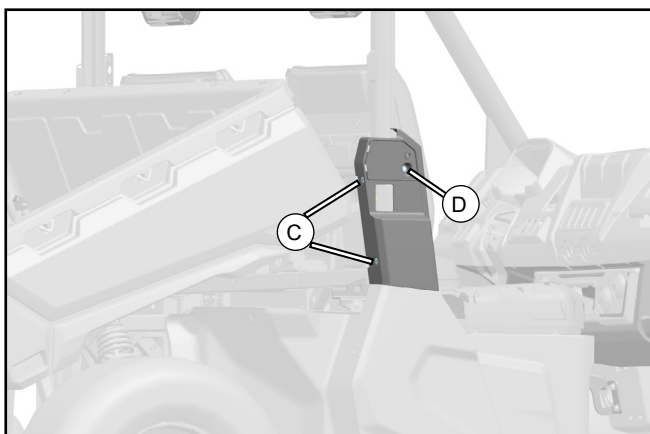


**TOOL LIST:**

<b>ITEM</b>	<b>DESCRIPTION</b>	<b>QTY.</b>	<b>REMARK</b>
1	PROTECTIVE GLOVES	1	Recommended tools
2	10mm DRILL	1	
3	10mm SOCKET	1	
4	13mm SOCKET	1	
5	5mm ALLEN WRENCH	1	

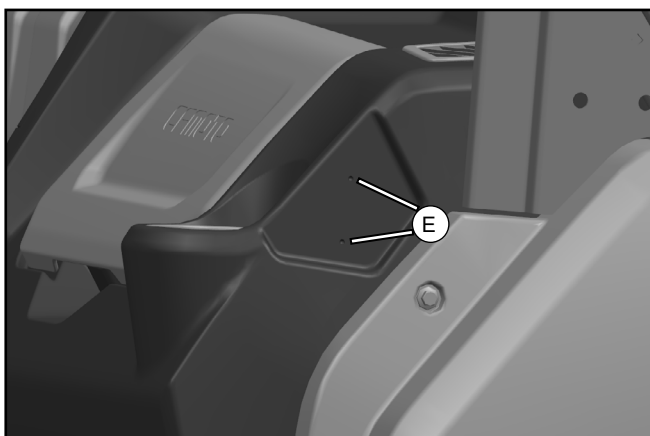
**ASSEMBLY and INSTALLATION**


// Open the cargo box (A). Remove left and right hinge mount covers (B).



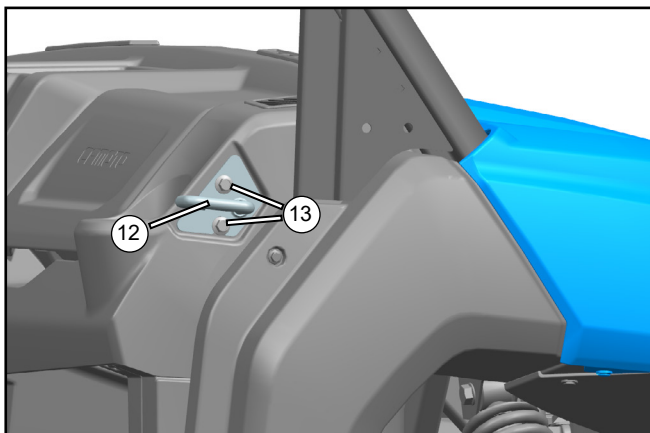
// Remove the bolt (D) and plastic clips (C).

**i** The left side parts are disassembled in the same way.



// Drill 10mm holes (E) in the side of the front dashboard panel according to the molded hole trace marks as shown. **DO NOT DRILL INTO THE METAL FRAME.**

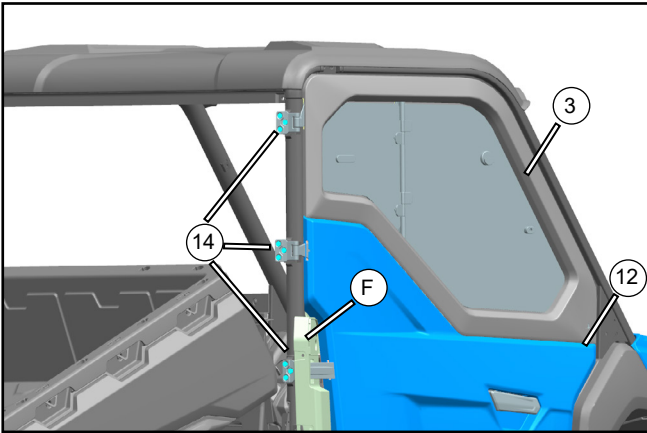
**i** The specification of drill bit is 10mm. The left side is drilled in the same way. **DO NOT DRILL INTO THE METAL FRAME.**



// Install and secure the right latch plate (12) with bolts (13) at the position of the drilled hole.

**i** Right side shown. The left latch plate (7) is assembled in the same way.

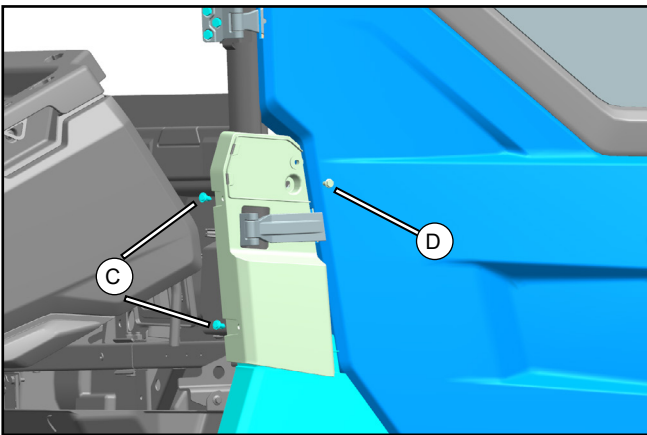
BOLT	M8×20	30006-080020810	16-22N.m
------	-------	-----------------	----------

**ASSEMBLY and INSTALLATION**


- // Position the door on the cab frame, and lock the side door (3) onto the latch plate (12).
- // Secure the rear upper hinge (9), upper and lower connecting plates (10,11) to the rear cab with screws (14) and tighten them.

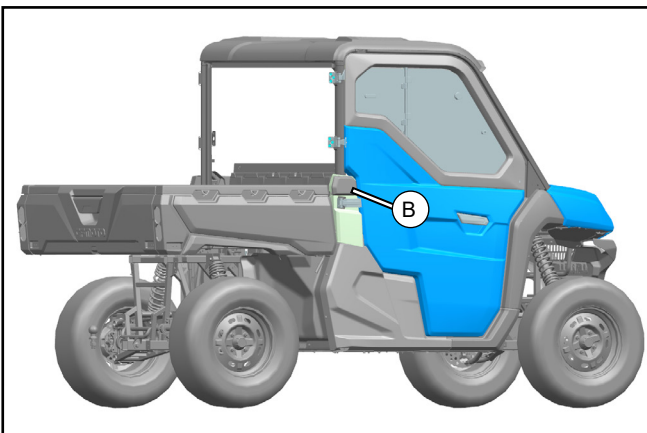
**i** The lower connecting plate needs to pass through the rear side upper panel (F). Right door (3) shown. Left side door (1) is assembled in the same method.

SCREW	M8×16	30122-080016810	16-22N.m
-------	-------	-----------------	----------



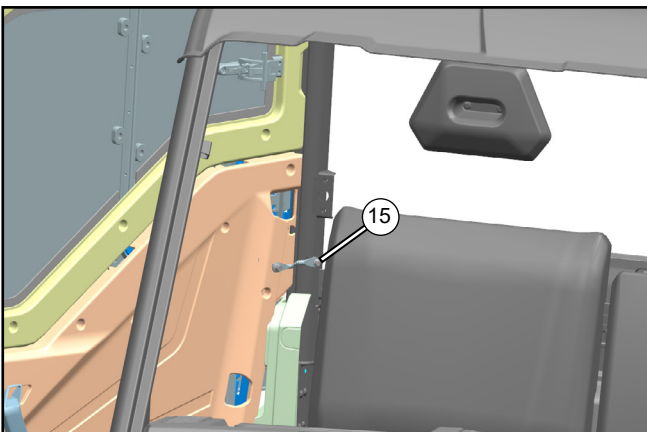
- // Install the bolt (D) and plastic clips (C).

**i** The left side is assembled the same way.



- // Install the hinge mount cover (B).

**i** The left side is assembled the same way.



- // Open the side door and secure the limit cable to the frame with bolt (15).

**i** The left side is assembled the same way.

