

ACCESSORY SETUP INSTRUCTION

HAND GUARD ASSEMBLY WITH WINDSHIELD -- PN 9AYV-805100-2A00

VALID FOR: CFORCE 800XC & CFORCE 1000 "Overland"

BEFORE YOU BEGIN: Read and understand the instructions before starting any work. Make sure that all parts are ready and that you have all the tools required for assembly.

NOTE: CFMOTO shall not be liable for any damage caused by incorrect assembly. CFMOTO recommends that all original accessories be assembled by an authorized CFMOTO dealer.

Before assembly, park the vehicle on a flat surface, put the transmission gear into Park (P) and turn off the key switch.

Zhejiang CFMOTO Power Co., Ltd. All rights reserved. Reproduction of this document, even in part, as well as copying of all kinds, is permitted only with the express written permission of the copyright owner.

MEANING OF SYMBOLS



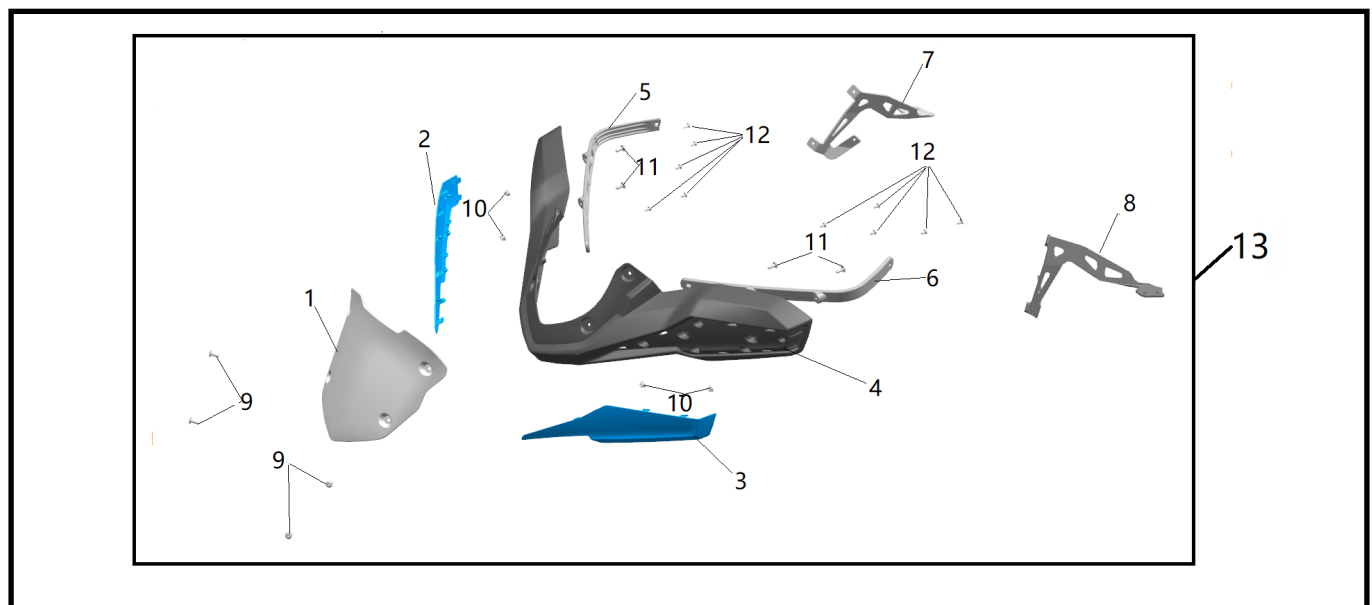
- Indicates information with more details or tips.



- Indicates information of warning or danger.

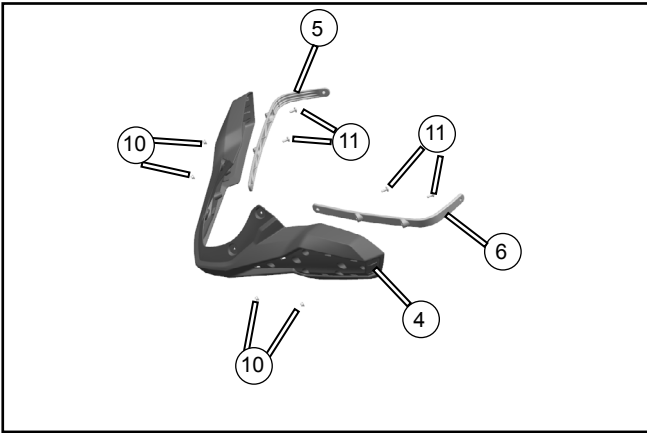
PARTS LIST:

ITEM	PART NAME	PART NUMBER	QTY.	REMARK
1	WINDSHIELD GLASS	9AYV-805104-2A00	1	
2	DECO GUARD, FRONT RH HAND GUARD	9AYV-805103-2A00	1	
3	DECO GUARD, FRONT LH HAND GUARD	9AYV-805102-2A00	1	
4	FRONT HAND GUARD	9AYV-805101-2A00	1	
5	RH HANDGUARD LEVER	9AYV-805106-2A01	1	
6	LH HANDGUARD LEVER	9AYV-805105-2A01	1	
7	RH WINDSHIELD BRACKET ASSY	9AYV-805220-2A01-0BP00	1	
8	LH WINDSHIELD BRACKET ASSY	9AYV-805210-2A01-0BP00	1	
9	INNER HEX SCREW M6×16	6NQ#-000206-6001	4	
10	NUT M6	30202-060170	4	
11	BOLT M6×12	30006-060012870	4	
12	SELF-TAPPING SCREW ST4.2×13-C-H	30110-420130070	10	
13	HAND GUARD ASSEMBLY WITH WINDSHIELD	9AYV-805100-2A00	1	



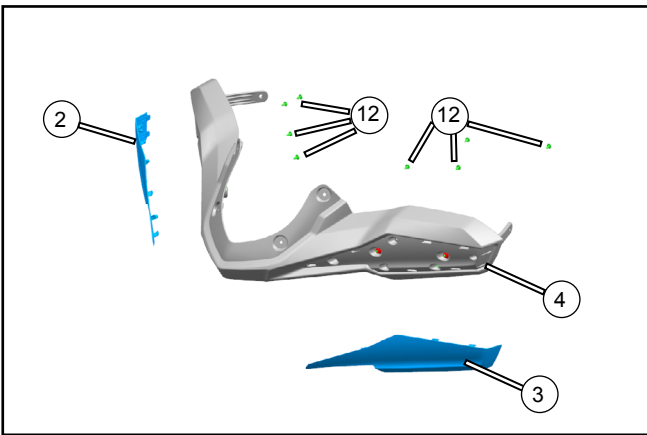
TOOL LIST:

ITEM	DESCRIPTION	QTY.	REMARK
1	10mm SOCKET	1	Recommended tools
2	13mm SOCKET	1	
3	4mm ALLEN WRENCH	1	
4	PROTECTIVE GLOVES	1	

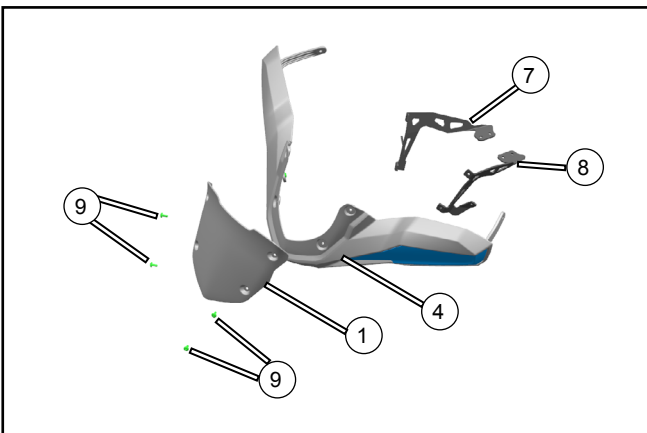
ASSEMBLY and INSTALLATION


// Attach left handguard lever (6) and right handguard lever (5) to the inside of front hand guard (4) with bolts (11) and nuts (10).

i During assembly, place the parts on a covered flat surface to protect against scratching.

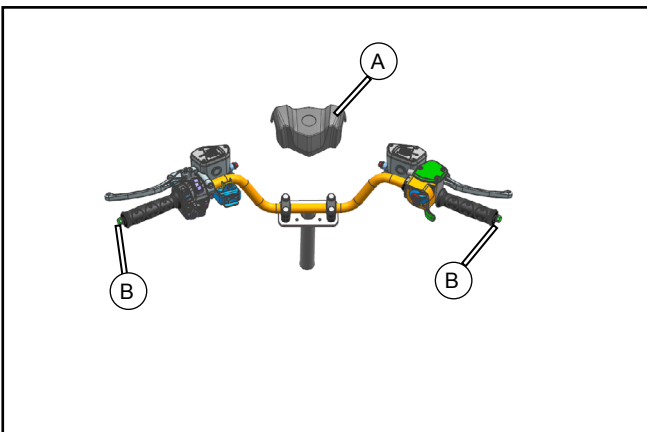


// Install right deco guard (2) and left deco guard (3) to the outside of front hand guard (4), and secure with screws (12).

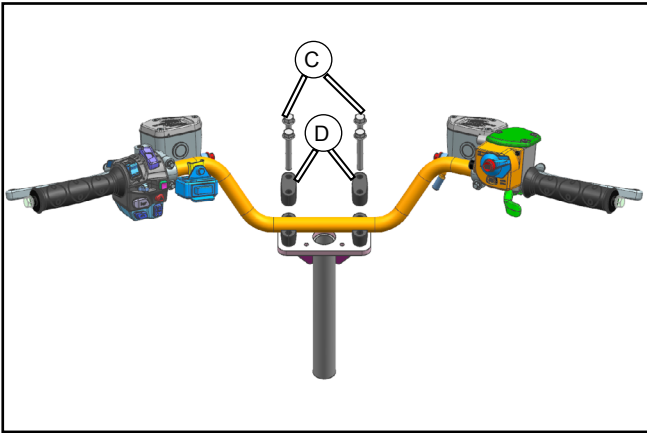


// Install windshield glass (1), left windshield bracket (8) and right windshield bracket (7) on front hand guard (4) with bolts (9). *Do not fully tighten bolts at this time.*

i The windshield glass is installed on the outside of front hand guard and the brackets are on the inside.

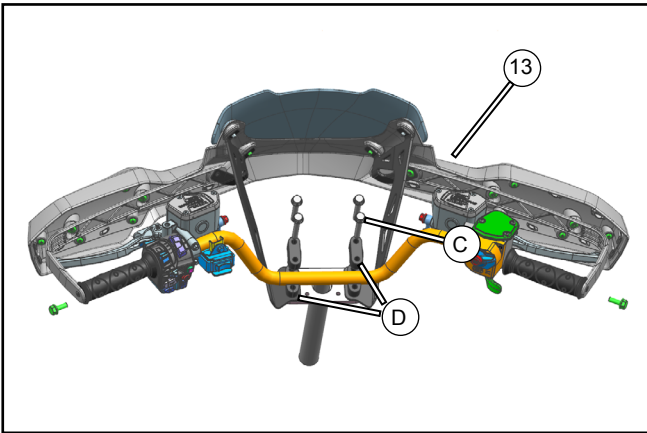


// Remove the handlebar upper guard (A) and bolts (B) at both ends of the handlebar.

ASSEMBLY and INSTALLATION


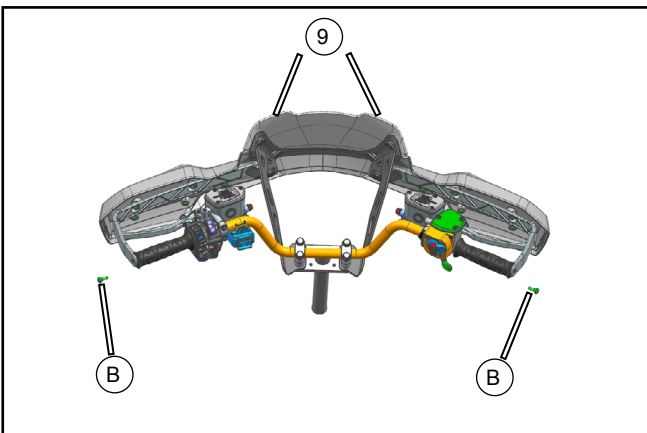
// Remove the handlebar clamp bolts (C) and clamps (D).

i Mark the angle of the handlebar in the clamps with a marker before removing the bolts to facilitate control of the installation angle during subsequent reassembly.



// Install the windshield assembly (13) under the handlebar clamps (D). Reinstall the clamp bolts and torque evenly to specification.

BOLT	M8	30006-080060810	22-30N.m
------	----	-----------------	----------



// Reinstall the bolts (B) at both ends of the handlebar. Tighten sufficiently, using care not to over-tighten.

// As a final step, tighten the windshield fasteners (9), using care not to over-tighten.