

ACCESSORY SETUP INSTRUCTION

SNOW PLOW PUSH ROD ASSEMBLY - PN 5HYV-804200-1000, 72 INCH PLOW BLADE ASSEMBLY - 5HYV-804300-1000, 60 INCH PLOW BLADE ASSEMBLY - 9AWV-804300-2000

72 INCH PLOW BLADE ASSEMBLY - VALID FOR: UFORCE 1000

60 INCH PLOW BLADE ASSEMBLY- VALID FOR: UFORCE 600, CFORCE 400, CFORCE 500S, CFORCE 600, CFORCE 800, CFORCE 1000


BEFORE YOU BEGIN: Read and understand the instructions before starting any work. Make sure that all parts are ready and that you have all the tools required for assembly.


NOTE: CFMOTO shall not be liable for any damage caused by incorrect assembly. CFMOTO recommends that all original accessories be assembled by an authorized CFMOTO dealer.

Before assembly, park the vehicle on a flat surface, put the transmission gear into Park (P) and turn off the key switch.

Zhejiang CFMOTO Power Co., Ltd. All rights reserved. Reproduction of this document, even in part, as well as copying of all kinds, is permitted only with the express written permission of the copyright owner.

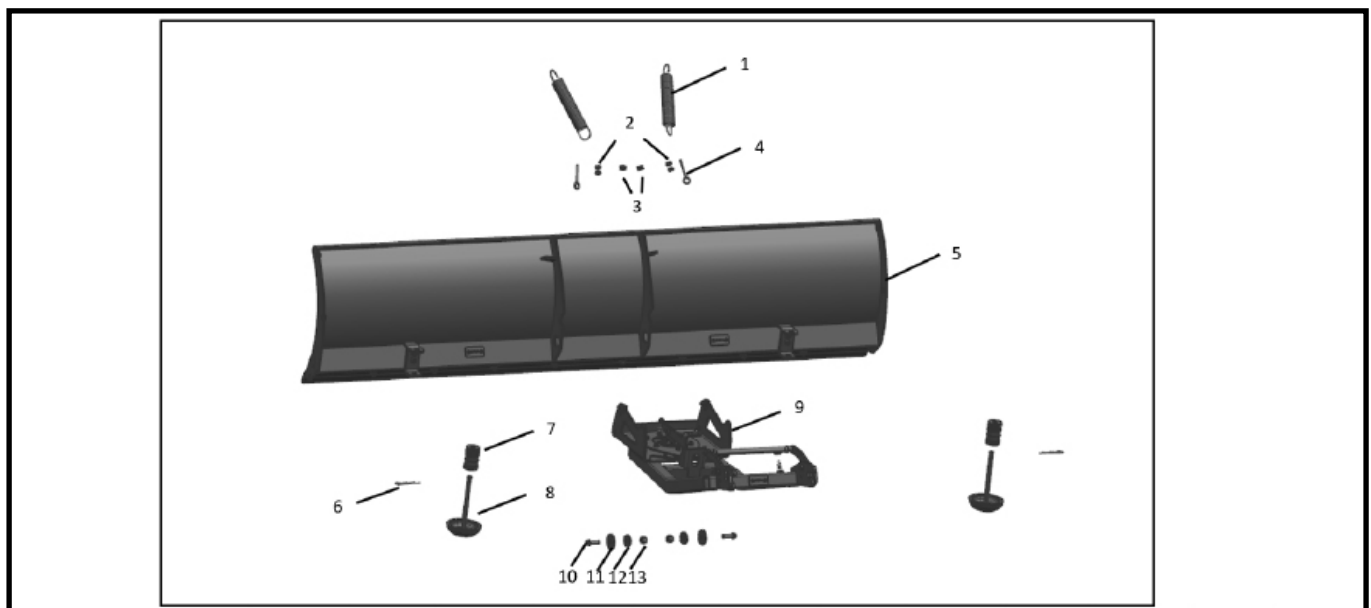
MEANING OF SYMBOLS

 - Indicates information with more details or tips.

 - Indicates information of warning or danger.

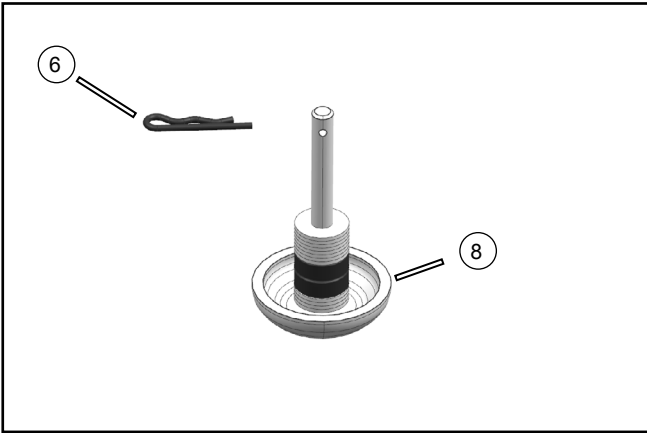
PARTS LIST:

ITEM	PART NAME	PART NUMBER	QTY.	REMARK
1	PLOW BLADE SPRING	5HYV-804206-1000	2	
2	NUT M8	5HYV-804200-1000-22	4	
3	WASHER	5HYV-804200-1000-25	4	
4	ADJUSTING ROD	5HYV-804207-1000	2	
5	60 / 72 INCH PLOW BLADE ASSEMBLY	9AWV-804300-2000 / 5HYV-804300-1000	1	
6	COTTER PIN	5HYV-804300-1000-23	2	
7	ADJUSTING WASHERS	5HYV-804300-1000-20	24	
8	SUPPORT	5HYV-804300-1000-22	2	
9	SNOW PLOW PUSH ROD ASSEMBLY	5HYV-804200-1000	1	
10	BOLT M12*30	5HYV-804200-1000-20	2	
11	WASHER	5HYV-804200-1000-10	2	
12	WASHER	5HYV-804209-1000	2	
13	NUT M12	5HYV-804200-1000-21	2	



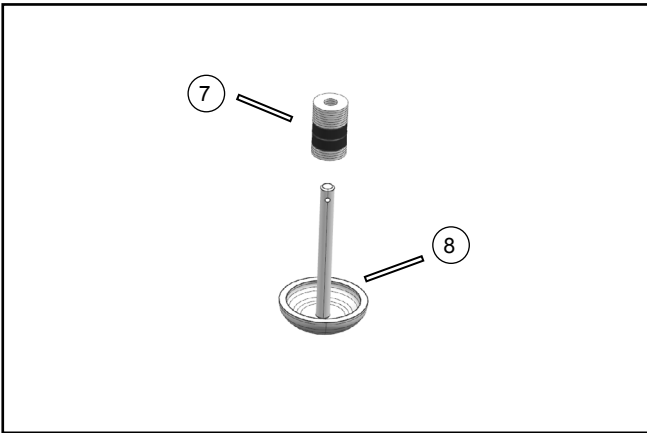
TOOL LIST:

ITEM	DESCRIPTION	QTY.	REMARK
1	18mm SOCKET	1	Recommended tools
2	PEOTECTIVE GLOVES	1	

ASSEMBLY and INSTALLATION


// Pull out the cotter pin (6) from the support (8).

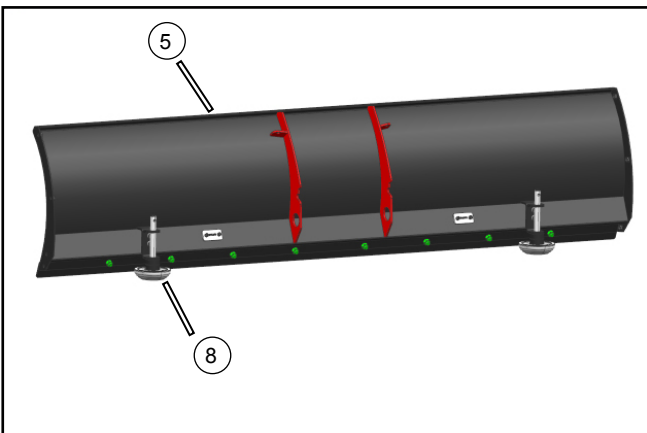
i - The left and right assembly methods are the same.



// Remove the desired amount of adjusting washers (7) from the support (8).

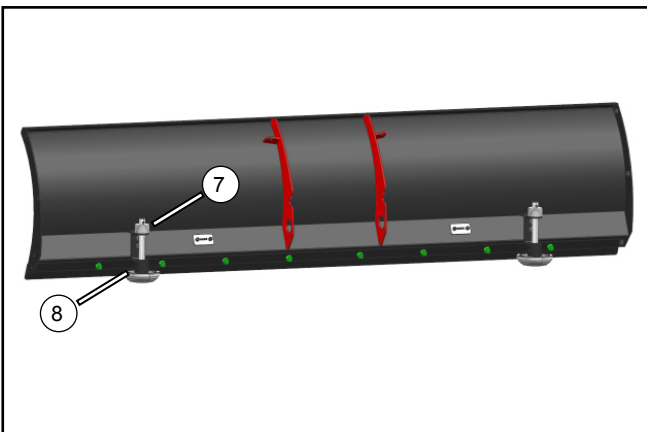
i - The left and right assembly methods are the same.

i - Add or remove the same amount of adjusting washers at each support to raise or lower the plow edge evenly.



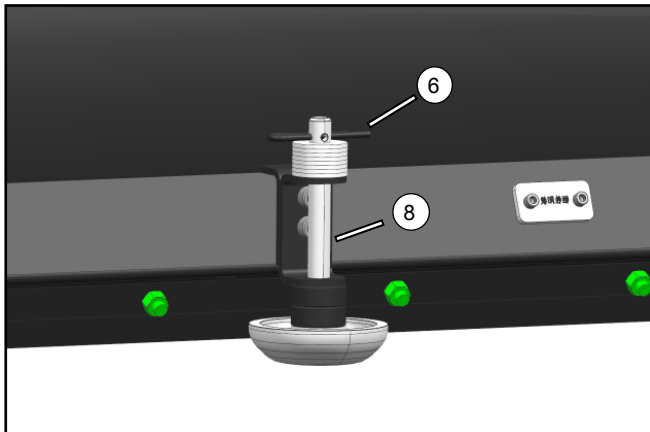
// Insert the supports (8) into the plow blade assembly (5).

i - The left and right assembly methods are the same.



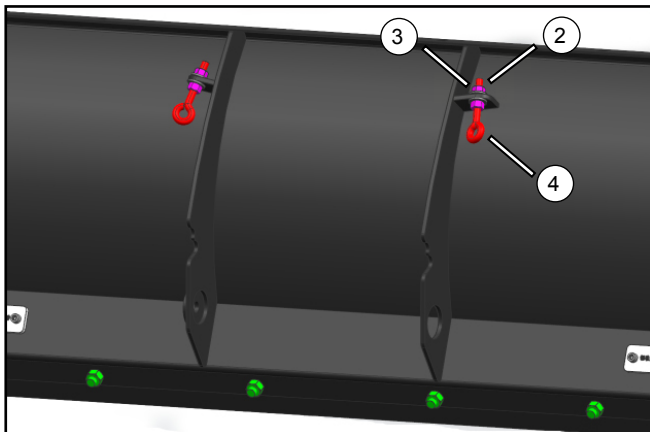
// Place the remaining adjusting washers (7) onto the supports (8).

i - The left and right assembly methods are the same.

ASSEMBLY and INSTALLATION


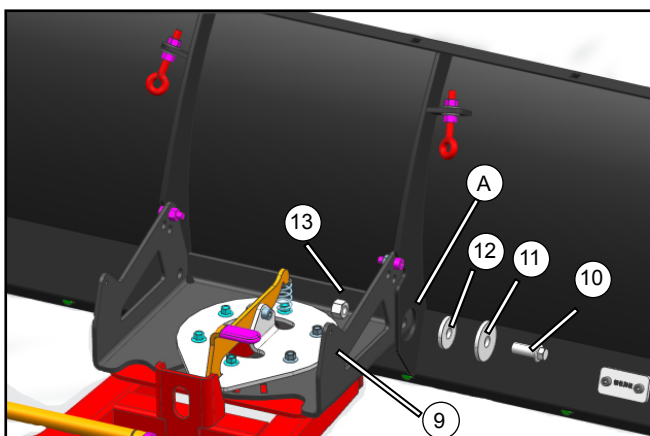
// Secure the supports (8) with cotter pins (6).

i - The left and right assembly methods are the same.



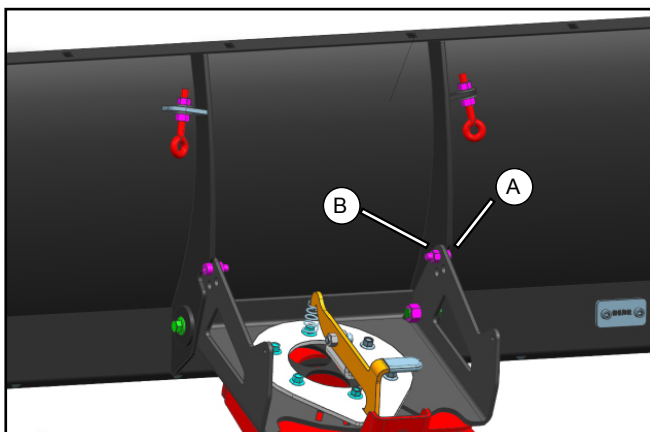
// Loosen and remove the nuts (2) and washers (3) from the adjusting rods (4), then insert the adjusting rods (4) into the assembly position as shown. Install the nuts (2) and washers (3) and pre-tighten them.

i - The left and right assembly methods are the same.



// Align the push rod assembly (9) with the hole position (A) of the plow blade support, then insert small washers (12) into each hole (A) of the plow blade support. Secure the assemblies together with bolts (10), large washers (11) and nuts (13).

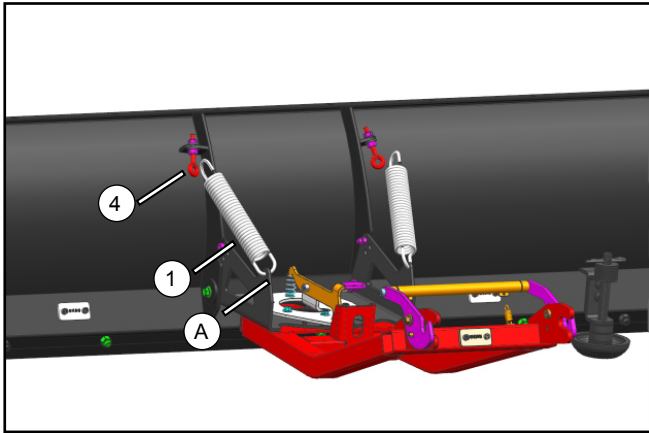
i - The left and right assembly methods are the same.



// Secure the pivot stop bolts (A) and nuts (B).

i - The left and right assembly methods are the same.

i - The pivot stops have extra holes for adjustability of the plow blade vertical angle.

ASSEMBLY and INSTALLATION

// Attach the tension springs (1) to the adjusting rods (4) and the push rod pivot frame (A) as shown. Turn the nuts on the adjusting rods (4) to make the springs taut.

- i** - The left and right assembly methods are the same.
- i** - Spring tension is adjustable as required. It allows the plow blade to pivot before it becomes damaged by an immovable object.