



INSTALLATION INSTRUCTIONS

CF MOTO

CFORCE 450/520

SAFETY INSTRUCTIONS

Warning: Failure to heed all safety and operating instructions and warnings regarding use of this product can result in serious bodily injury.

ONLY TRAINED AND ADVACEND PERSONS CAN INSTALL THIS CABINE

EVERY PERSON, WHO USING VEHICLE WITH CABINE, IS OBLIGED TO USE PROTECTIVE HELMET AND PROTECTIVE GLASS

IS STRONGLY RECOMMENDED TO USE BODY PROTECTION (LIKE MOTORBIKE SUITS)

READ PROPERLY COMPLETE ASSEMBLY INSTRUCTIONS BEFORE STARTING OF ASSEMBLY

Install all parts indicated in assembly instructions. Failure to fully assemble product before use could result in personal injury.

Assembly of product requires use of hand or power tools. If you are not experienced in using these types of tools, have product dealer do the install for you.

Some parts contain sharp edges, wear protective gloves if necessary. Always keep your assembly area clean, uncluttered and well lit.

Keep visitors and children a safe distance away from the assembly area. Visitors should wear the same safety equipment described under.

Dress for safety. DO NOT wear loose clothing, gloves, neckties or jewelry if using power tools to assemble this product. Insert all nut covers after you finish installation.

MAINTANCE AND CLEANING

To clean polycarbonate surface use soapy water solution or other subtle means.

Dirt and dust wash by gently water stream and swipe only with wet or damp means in the direction from top to bottom.

The recommended frequency of cleaning of polycarbonate part is about 1 time per month or according to the actual degree of pollution.

Do not use detergents that could scratch the surface plates. (abrasives, harsh fabrics, etc.)

Do not use solvents or alkaline detergents or cleaners with ammonia (ammonium hydroxide).

Do not remove the impurities from the surface of the razor blades or other sharp items.

Do not clean cabine, when the polycarbonate plates are heated by the sun.

Do not use the squeegee, it could be scratched surface plates.

Do not clean the water current strength greater than 50 bars (WAP)

The manufacturer is not responsible for scratching the surface in case of failure to comply with the above instructions.

All bolted connections of cab must be by user at regular intervals checked and tightened.

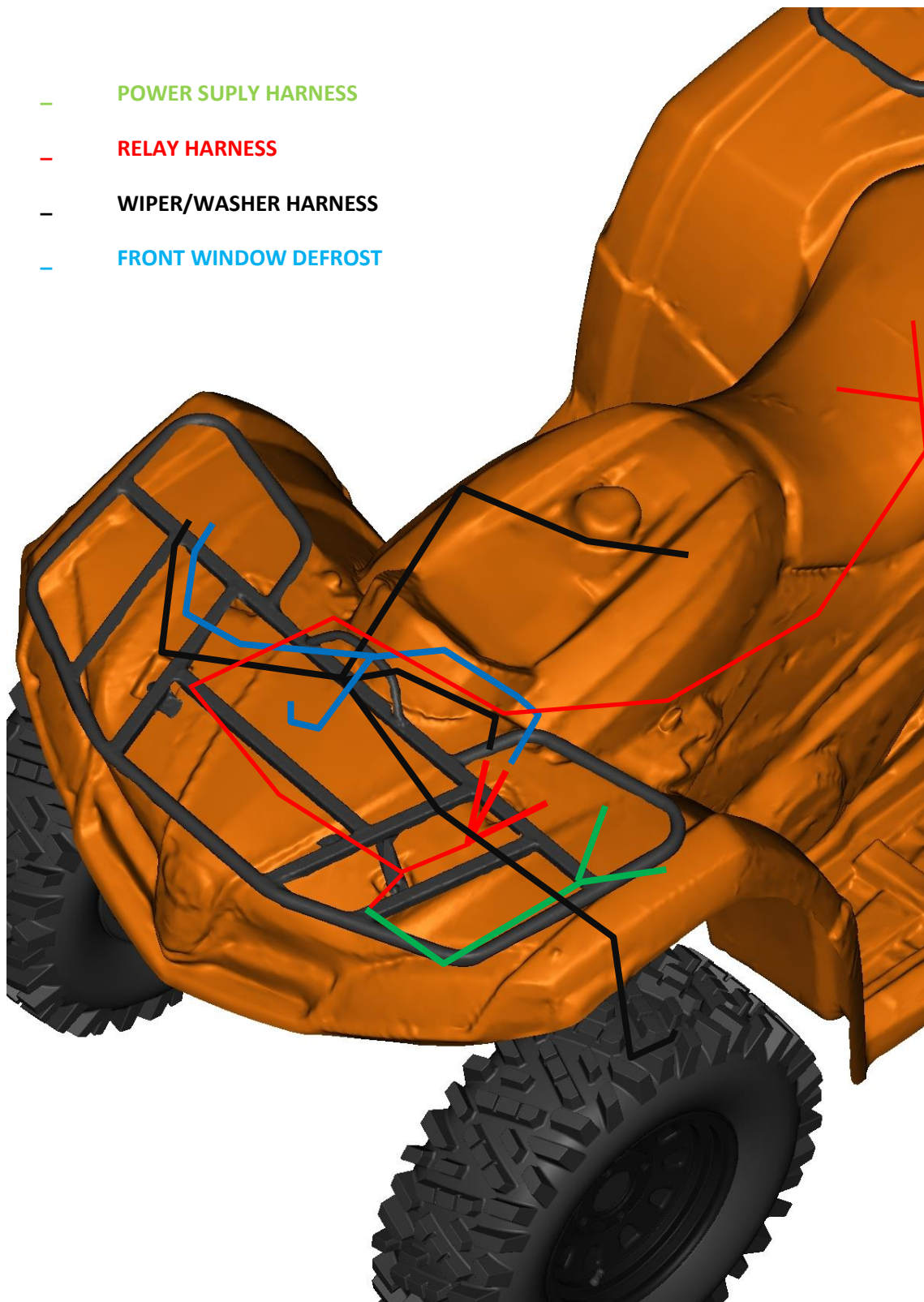
It is necessary to check the air filter of the heater regularly, depending on the dust environment in which the vehicle is operated.

CAB PREVIEW

4

ELECTRO-INSTALLATION 1.
SCHEMATIC OVERAL DIAGRAM

- POWER SUPPLY HARNESS
- RELAY HARNESS
- WIPER/WASHER HARNESS
- FRONT WINDOW DEFROST

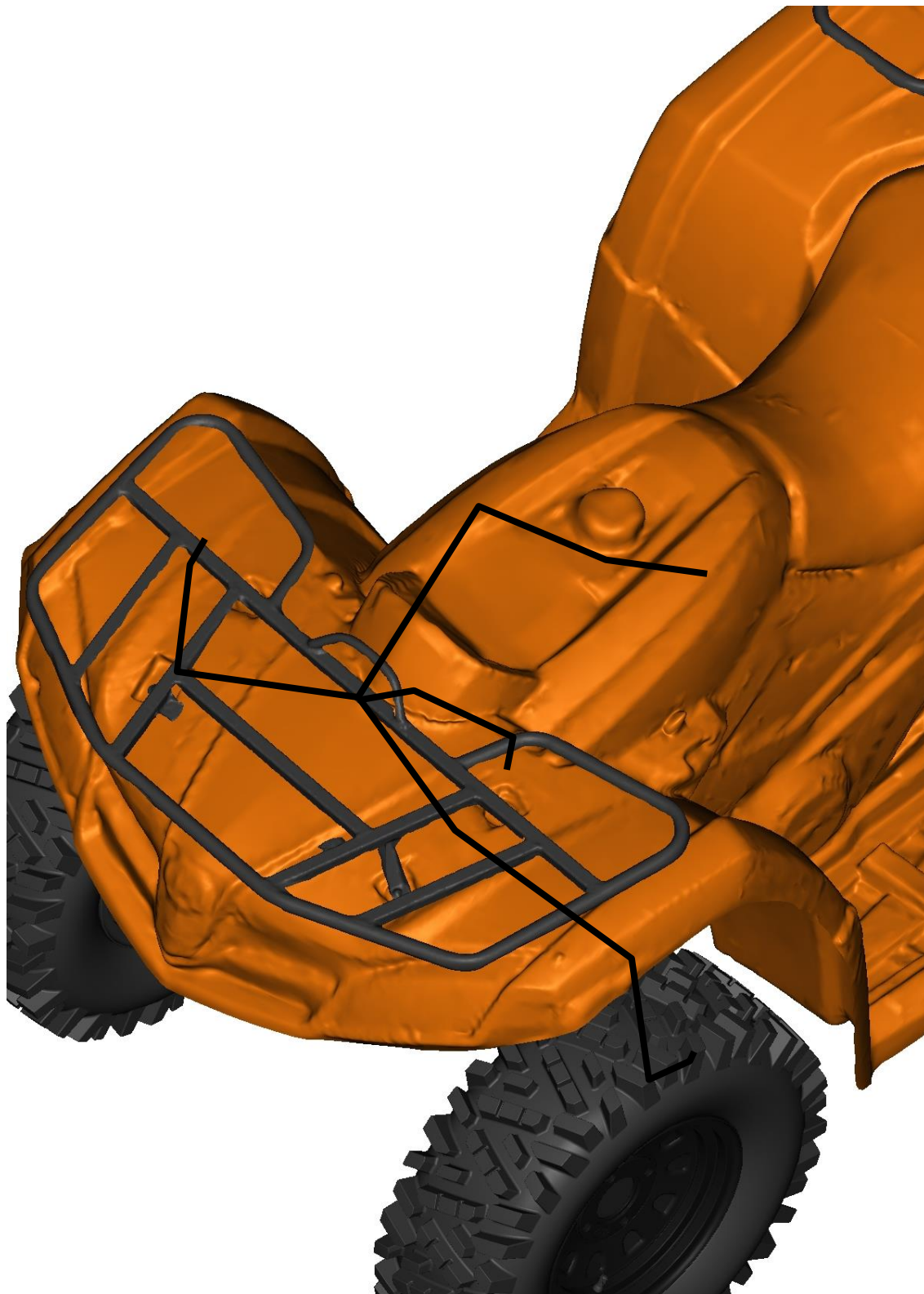


Unmount front central cover.



6

Insert the wiper/washer harness into the front space and run the washer branch to the front left wheel. Run the switch branch to the handlebar.



7

Mount the washer tank holder onto the original fixing point by included screw, washers and nut. See picture below for your better orientation.



Insert the washer tank onto the holder and connect the washer branch.



8

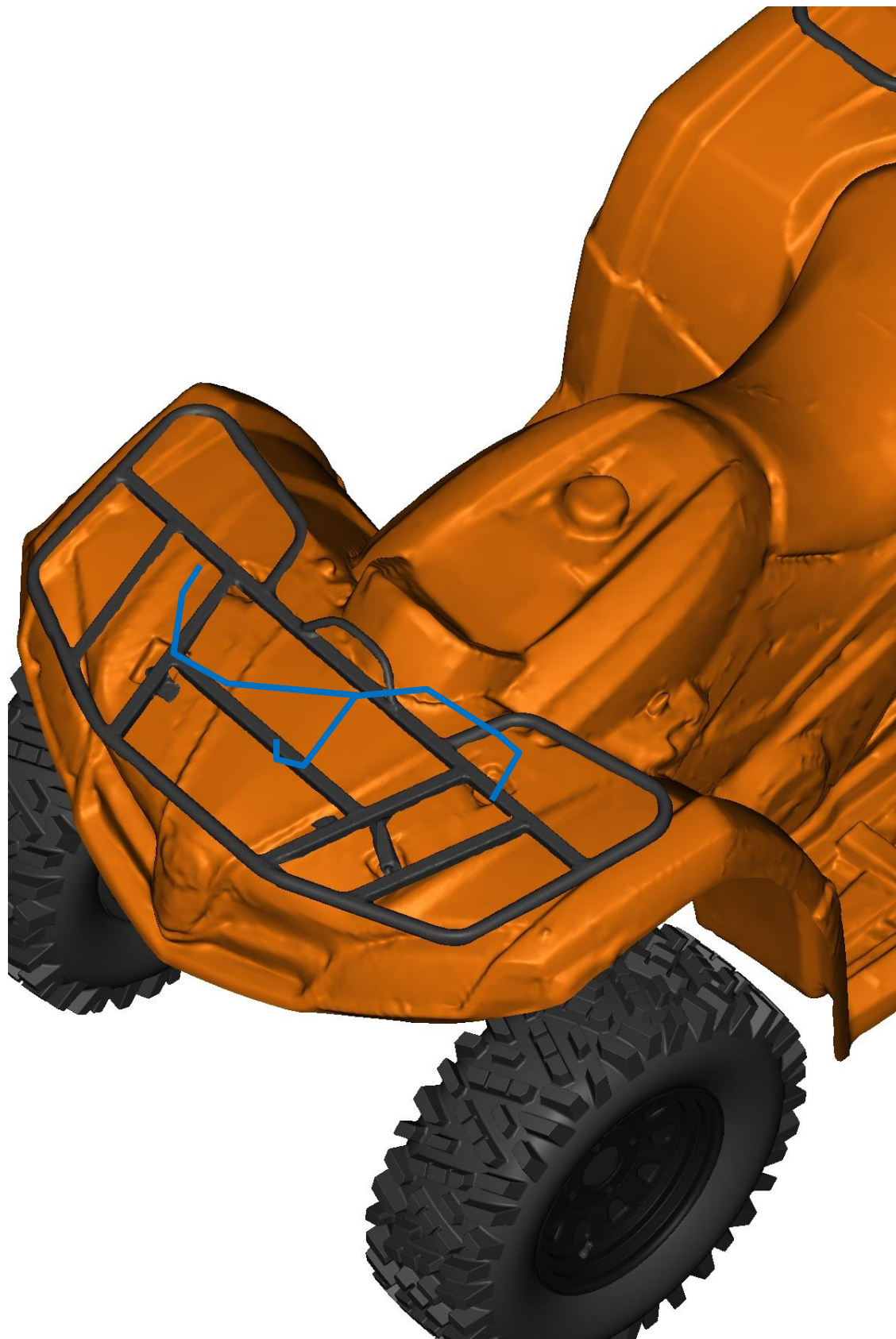
Install the switch holder (green mark) onto the original screws of the control system on left handlebar. Run the switch branch through the switch holder hole.



Connect the switch branch with the switch and insert the switch into the holder.

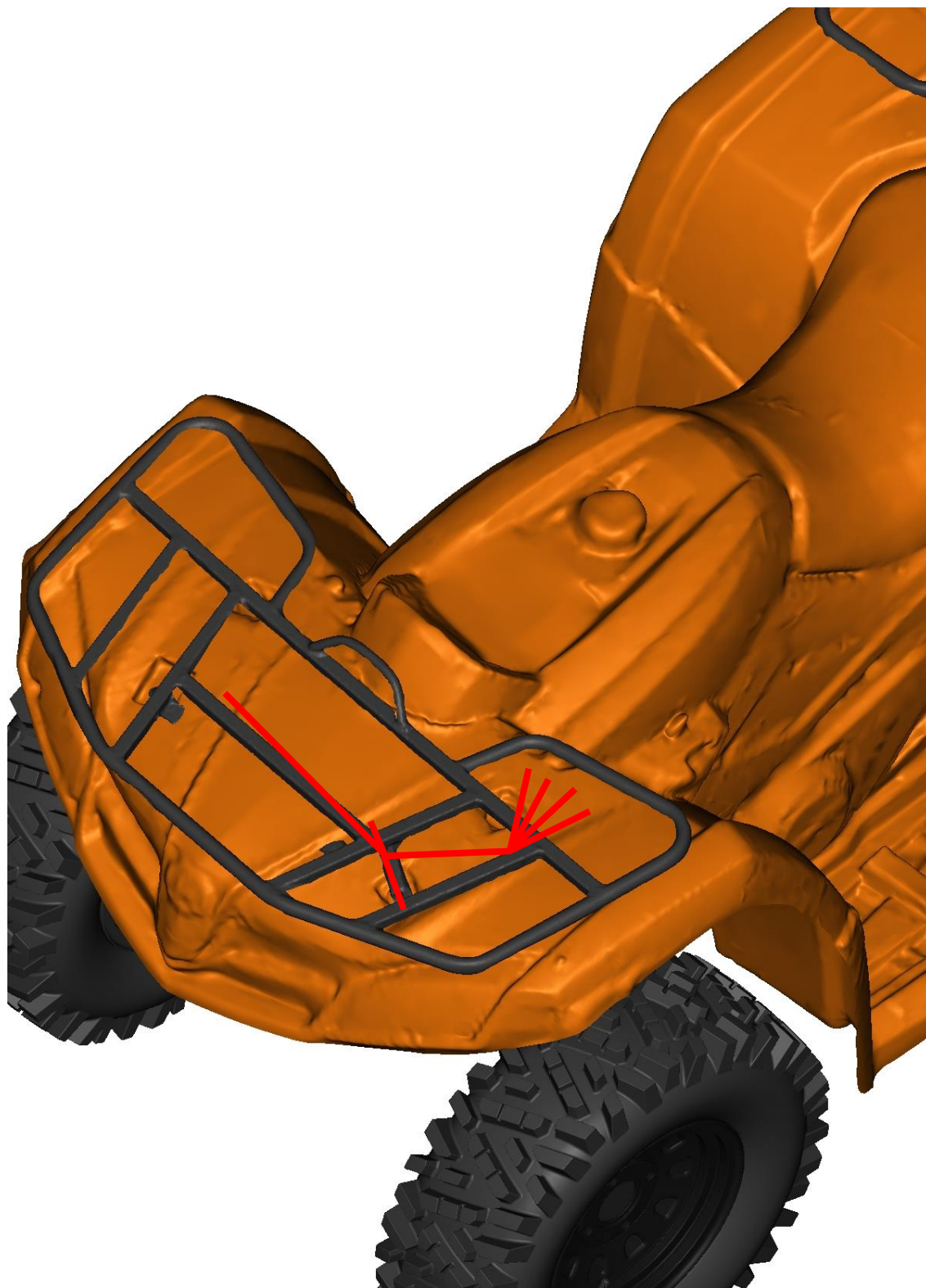
9

Insert the front window defrost harness into the front space.



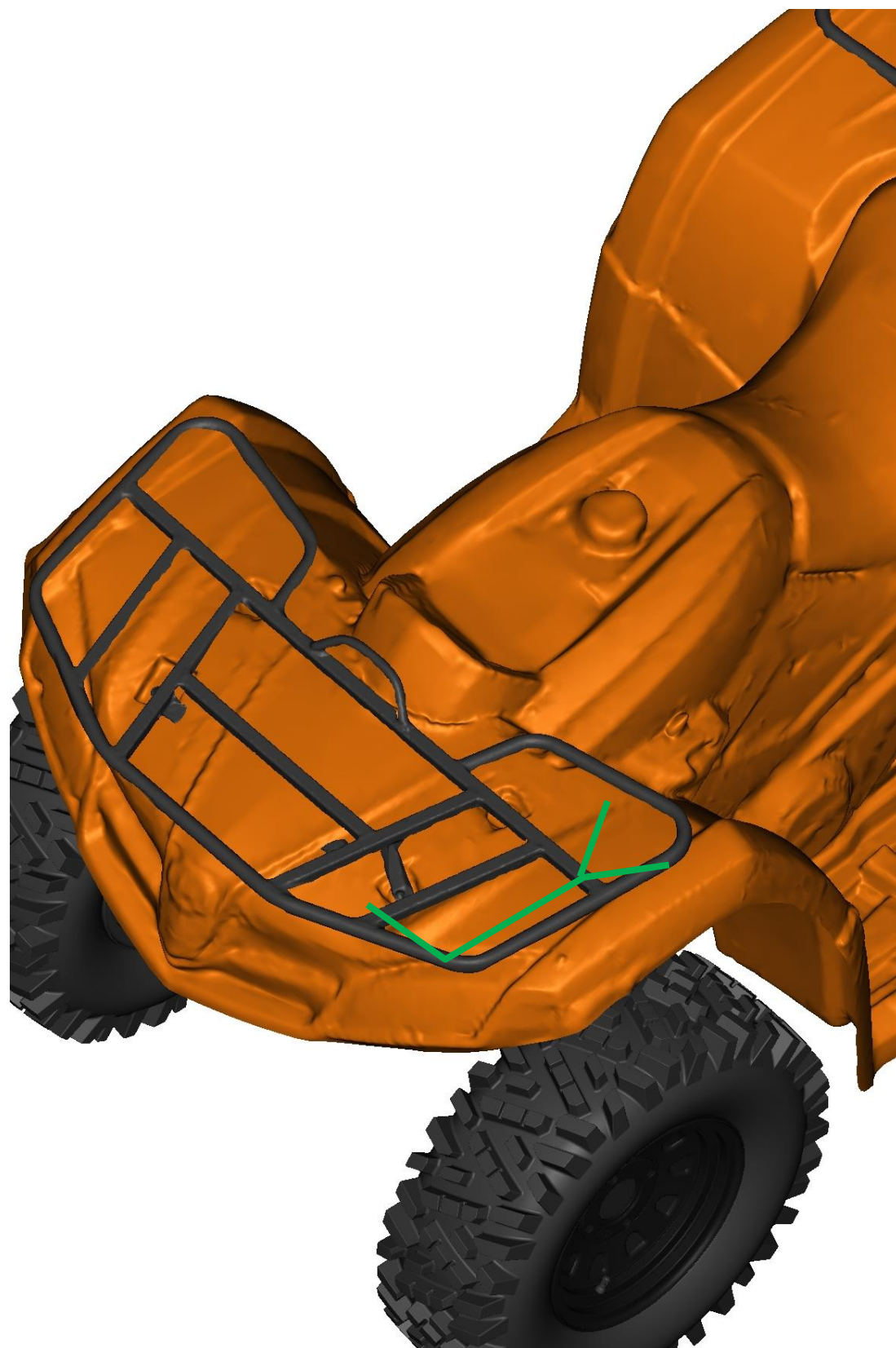
10

Insert the relay harness into the front space. Connect the relay harness with the wiper/washer harness and with the front window defrost harness.



11

Place the power supply harness onto the left front space from the bottom side.

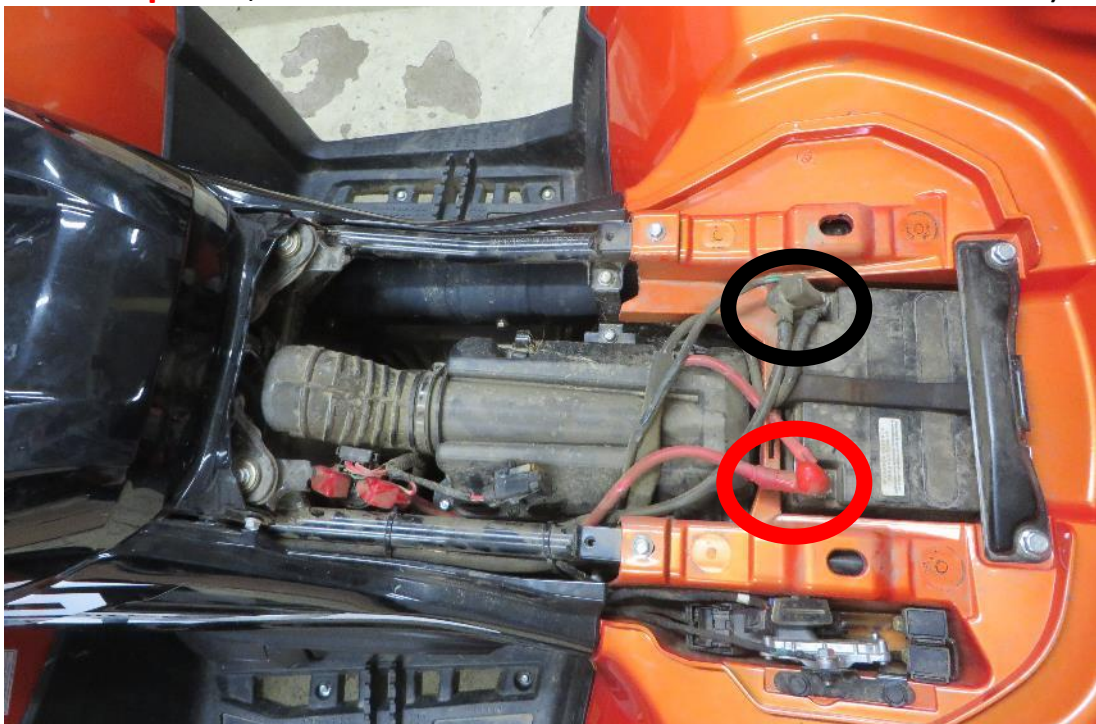


12

Disconnect original harness for USB 12V in connector junction as seen in picture and insert power supply harness between disconnected connector.



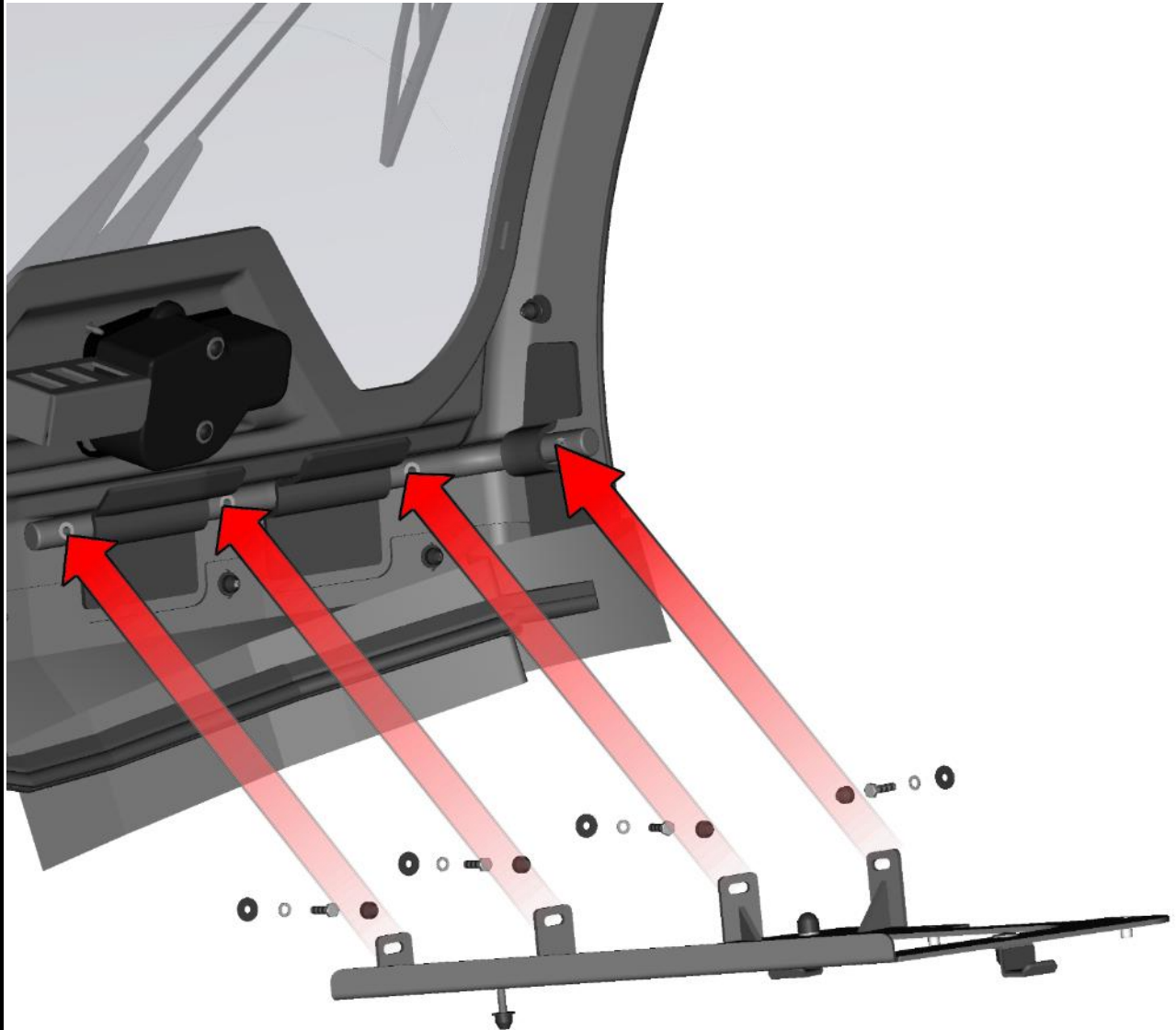
Connect the relay harness with the battery (red wire has to be connected with **“plus”** ; black wire has to be connected with **“minus”**)



Install the covers back to position.

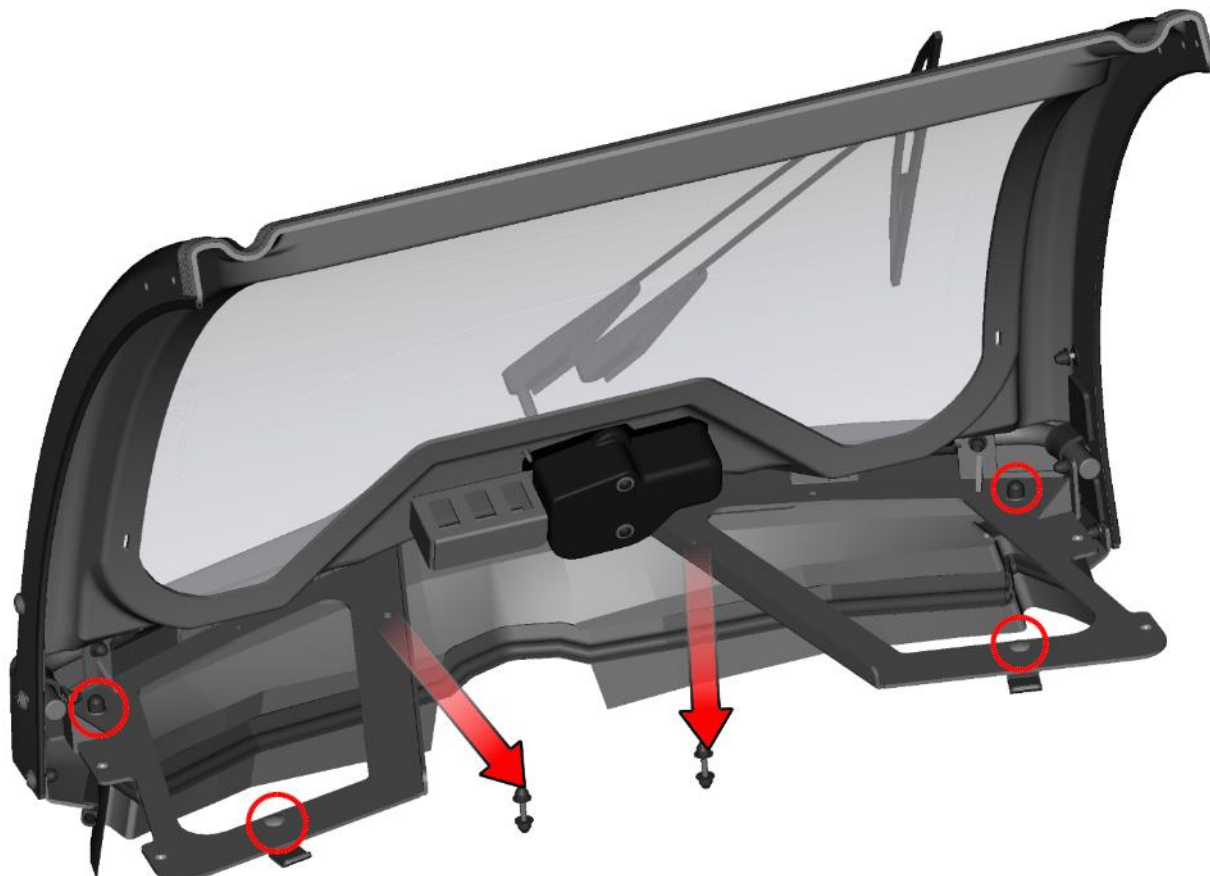
PANELS INSTALLATION

Place the right front reinforcement onto the front panel. Fix the reinforcement with the panel by included screws, washers and covers.



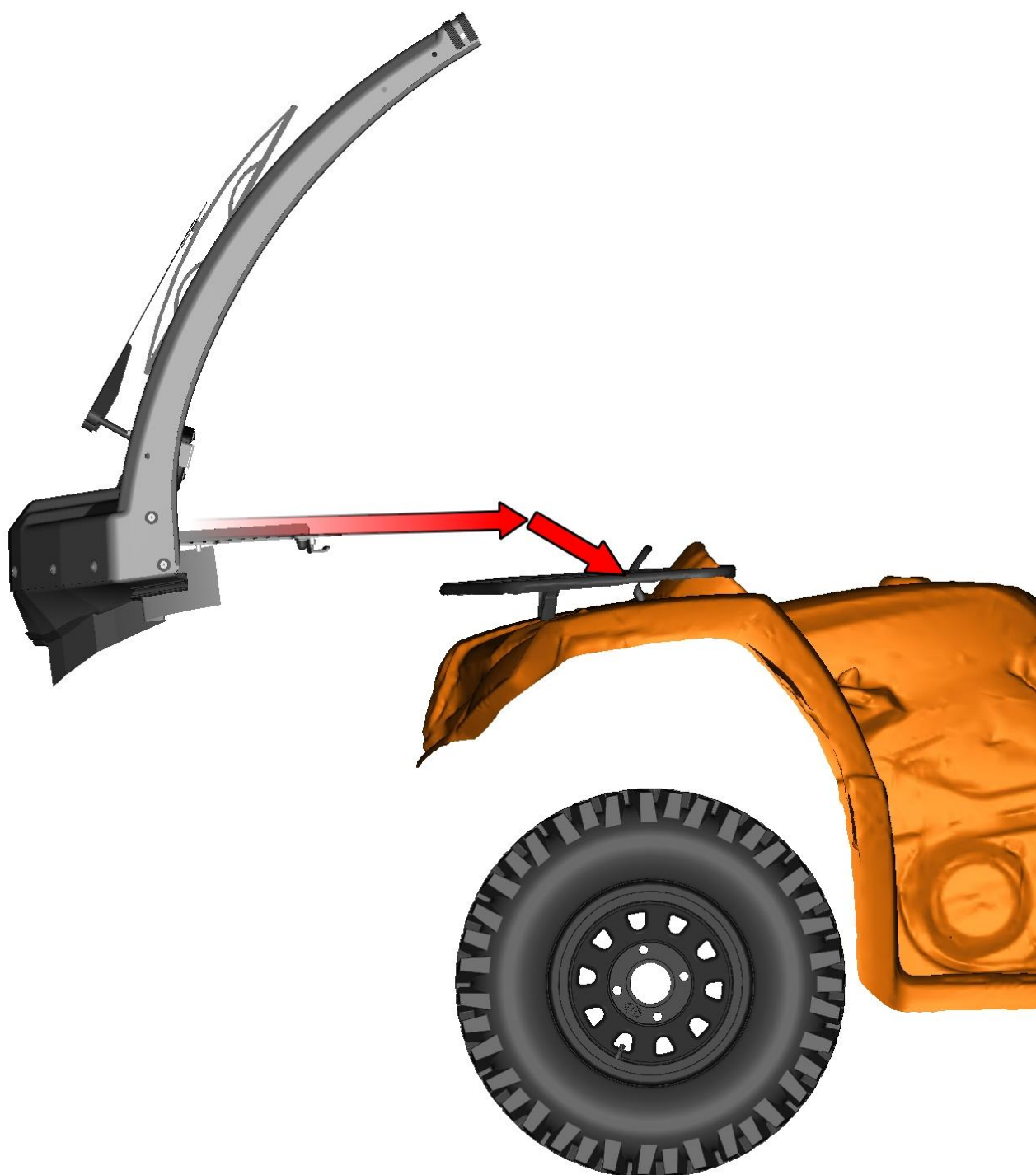
Repeat previous steps on the left side.

Loose the holder screws (red circles) and uninstall central fixing assemblies (red arrows).



15

Place the front panel with reinforcements onto the front part of the vehicle. SEE NEXT PAGES



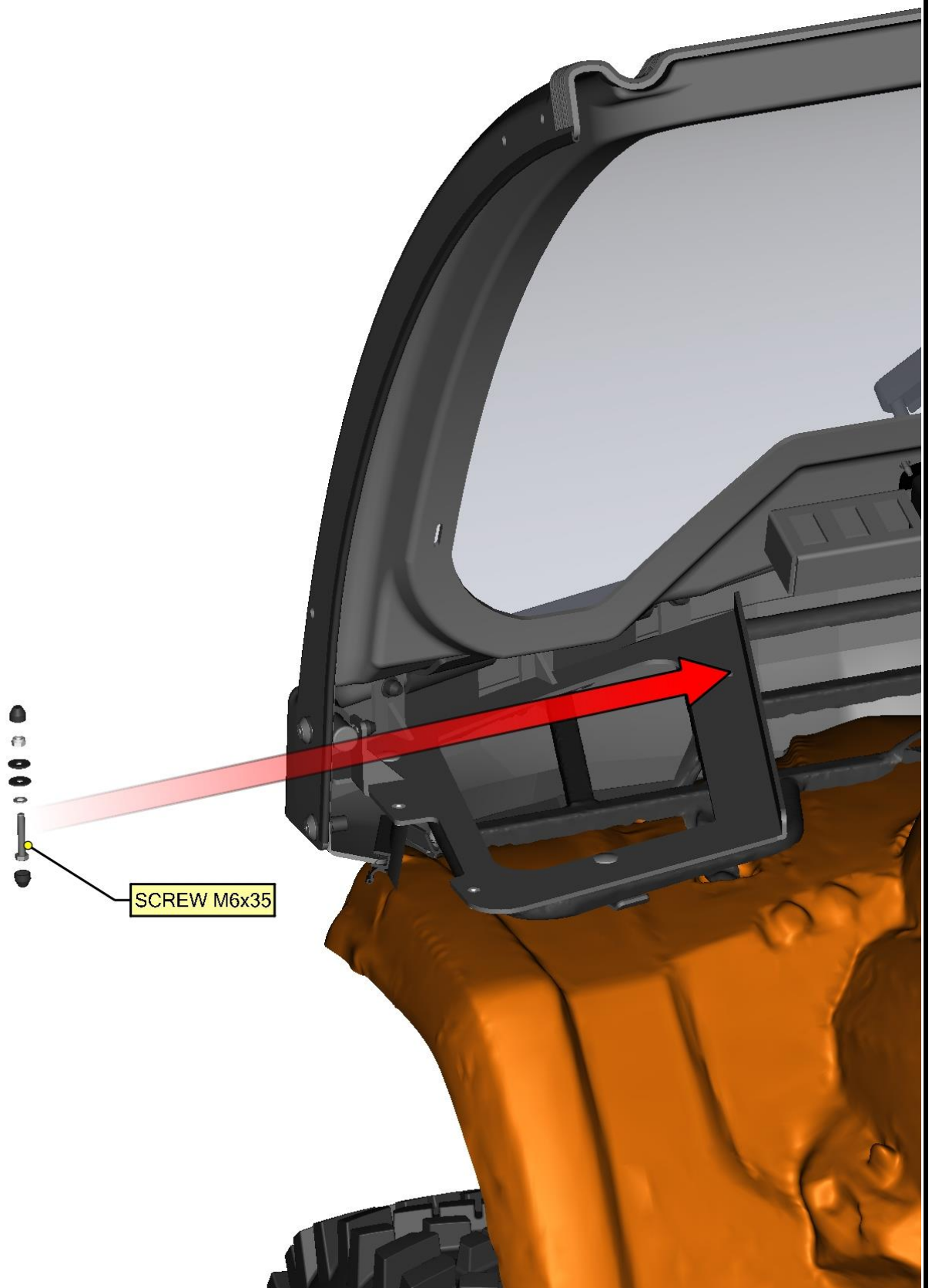
16

Push the front panel to the correct position.



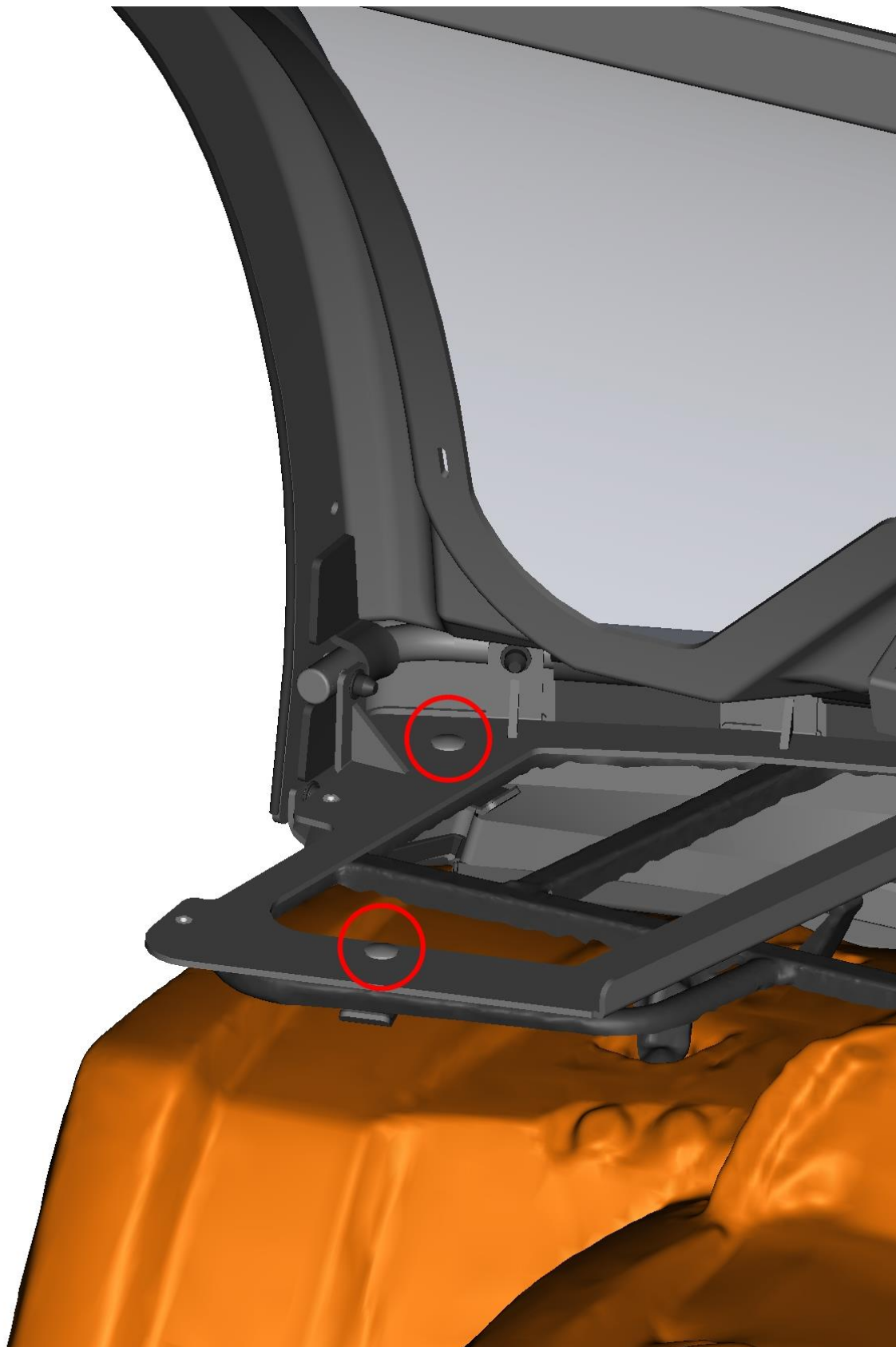
17

Fix the front reinforcement with the original grill by included screw, washers, nut and covers on both sides.



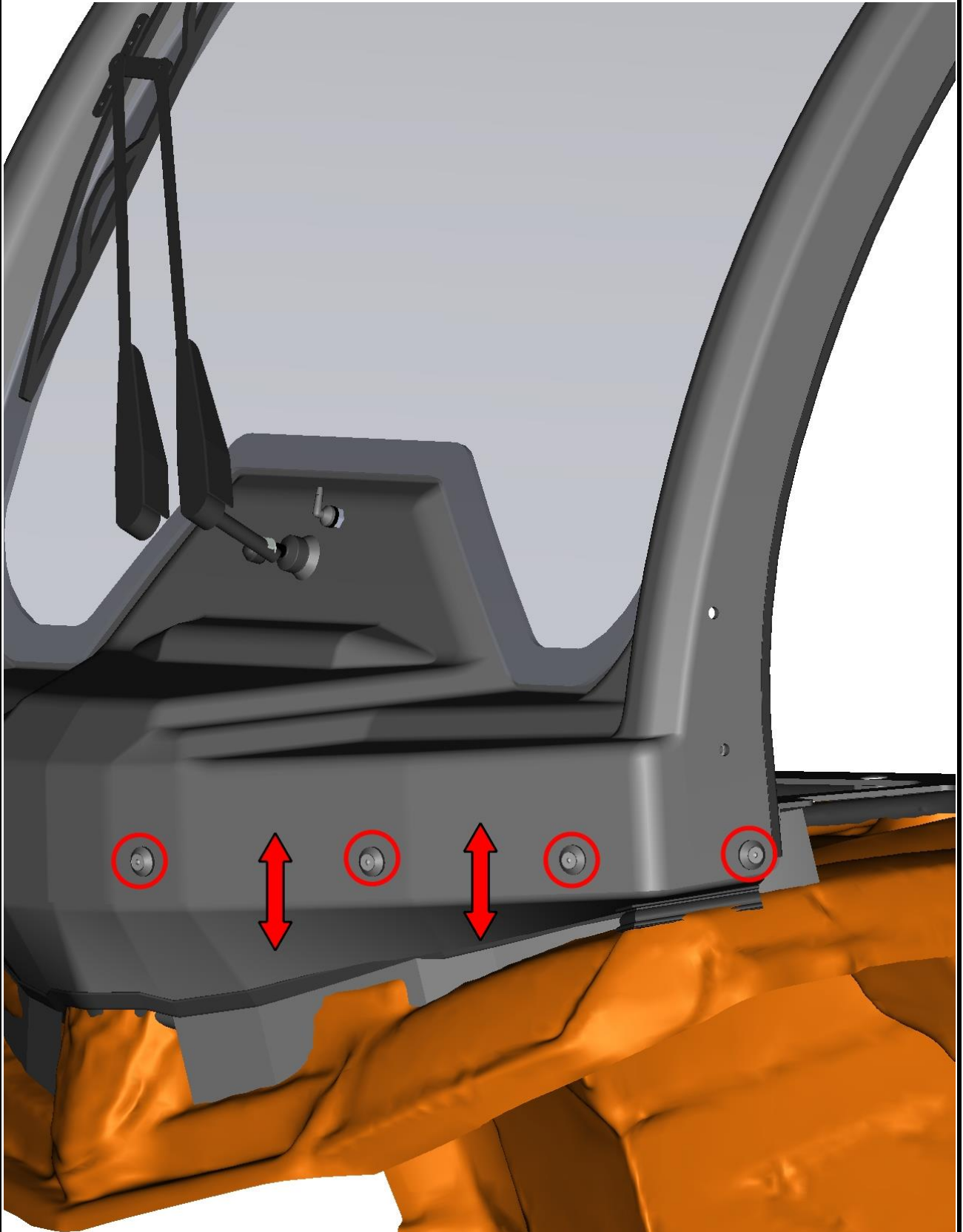
18

Adjust the holders to the best position and tighten the holder screws on both sides.



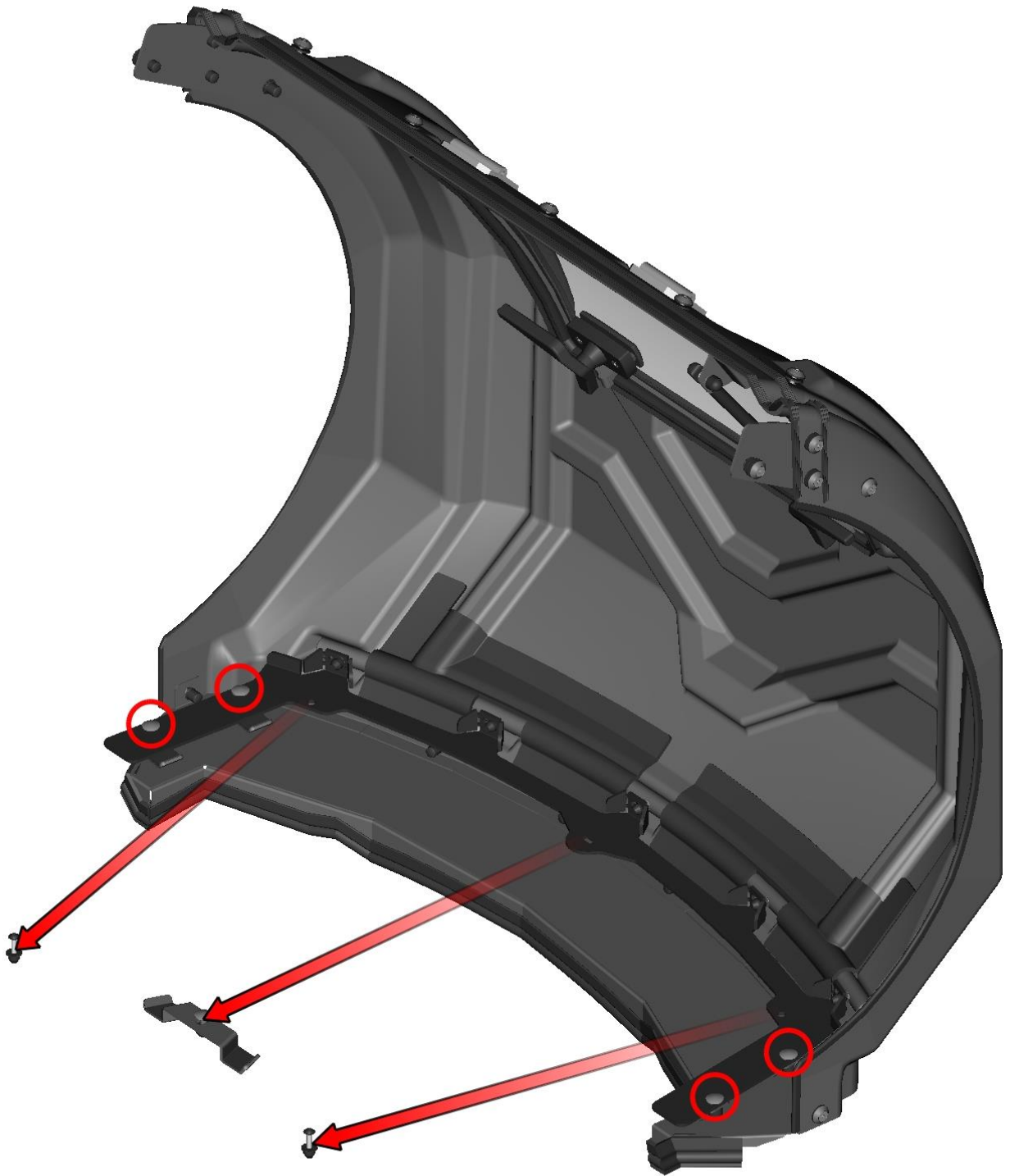
19

If it is necessary adjust the front bottom cover to best position and tighten front screws (red circles) on both sides.



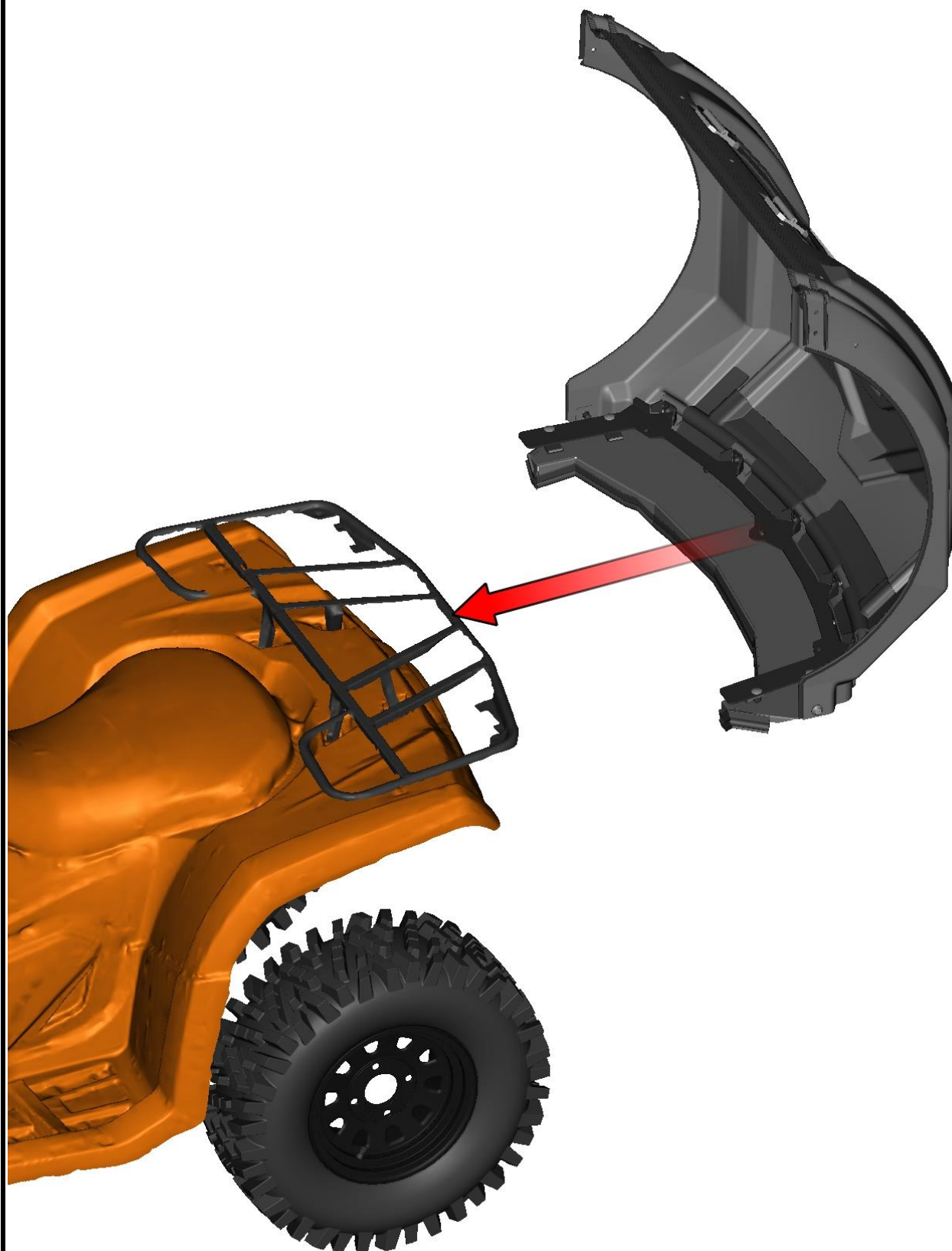
20

Uninstall the fixing assemblies and central holder assembly from rear panel. Loose the side holder screws (red circles).



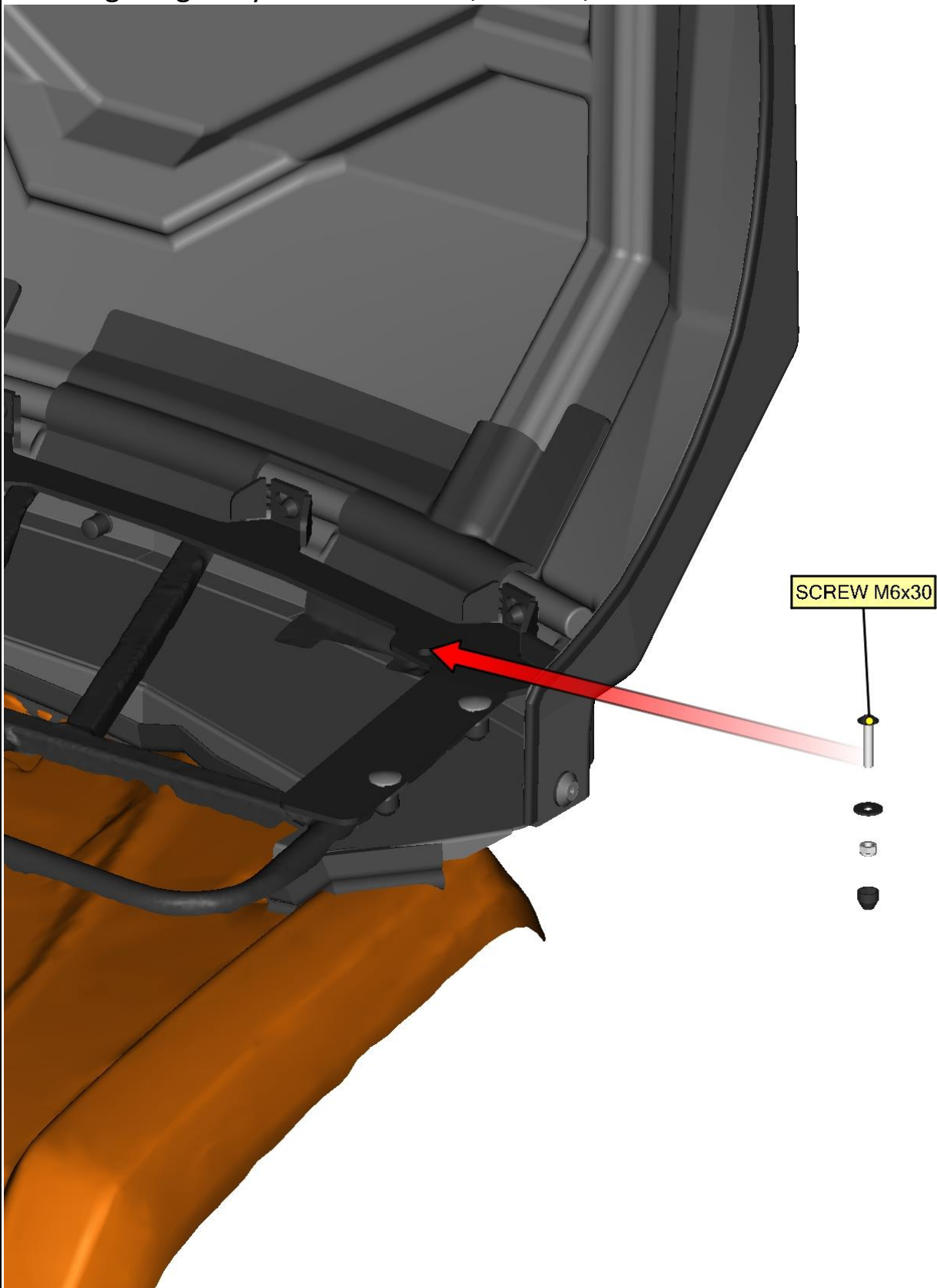
21

Place the rear panel onto the original rear grill.



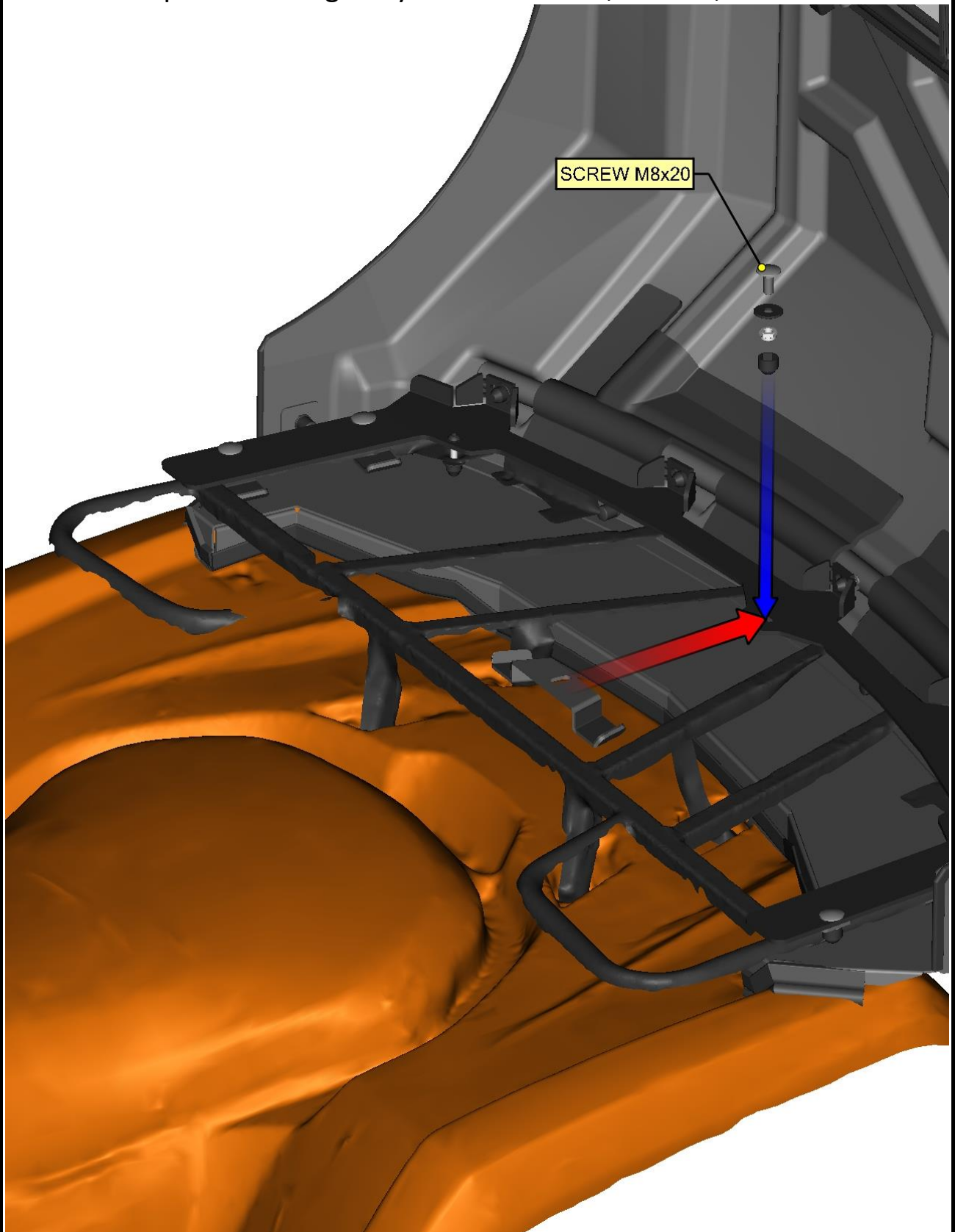
22

Adjust the rear panel to the correct position and fix the rear panel with the original grill by included screw, washer, nut and cover on both sides.

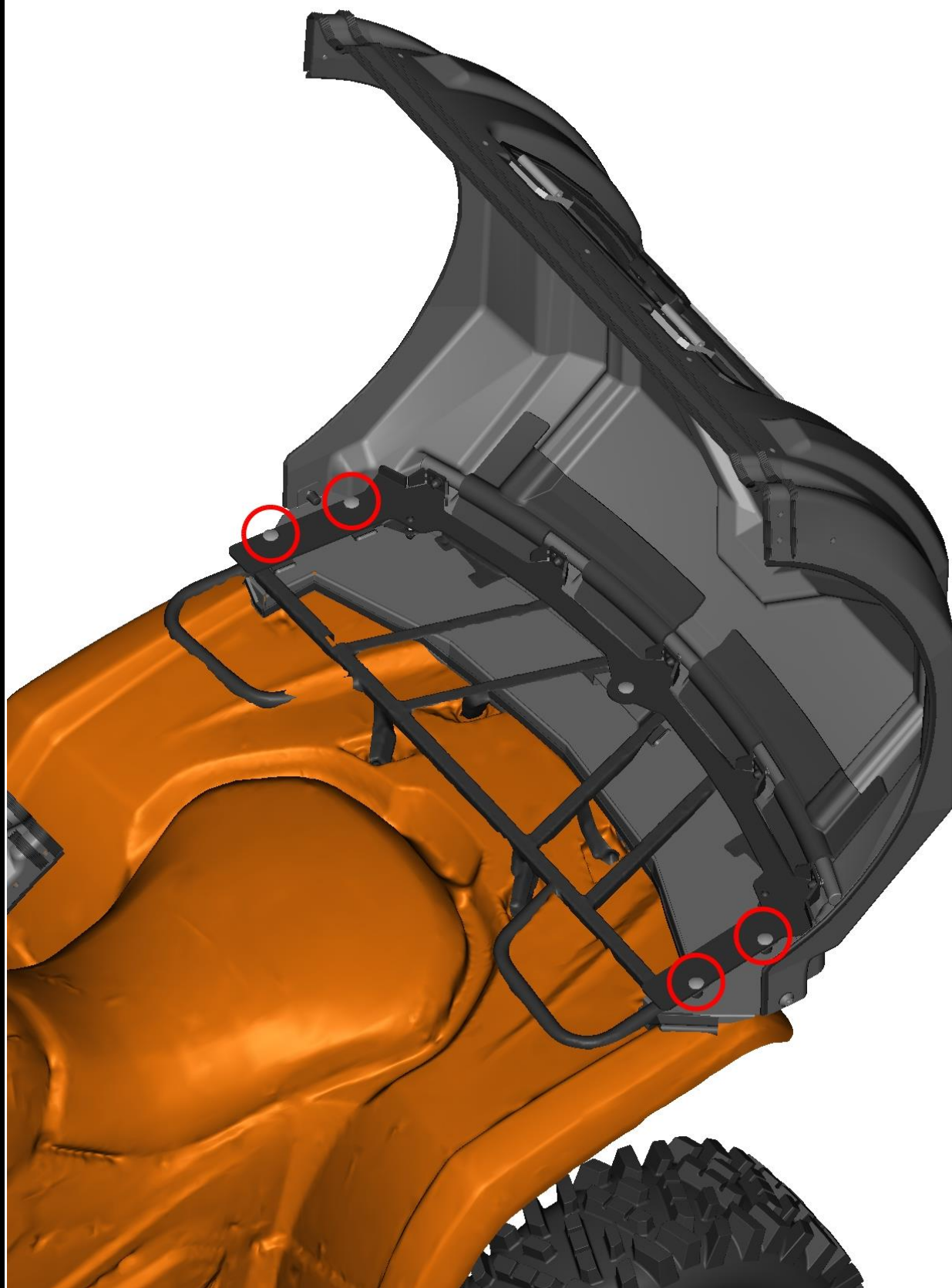


23

Place the central holder onto the grill from bottom side and fix the holder with rear panel to the grill by included screw, washer, nut and cover.



Adjust the holders to the correct position and tighten holder screws.



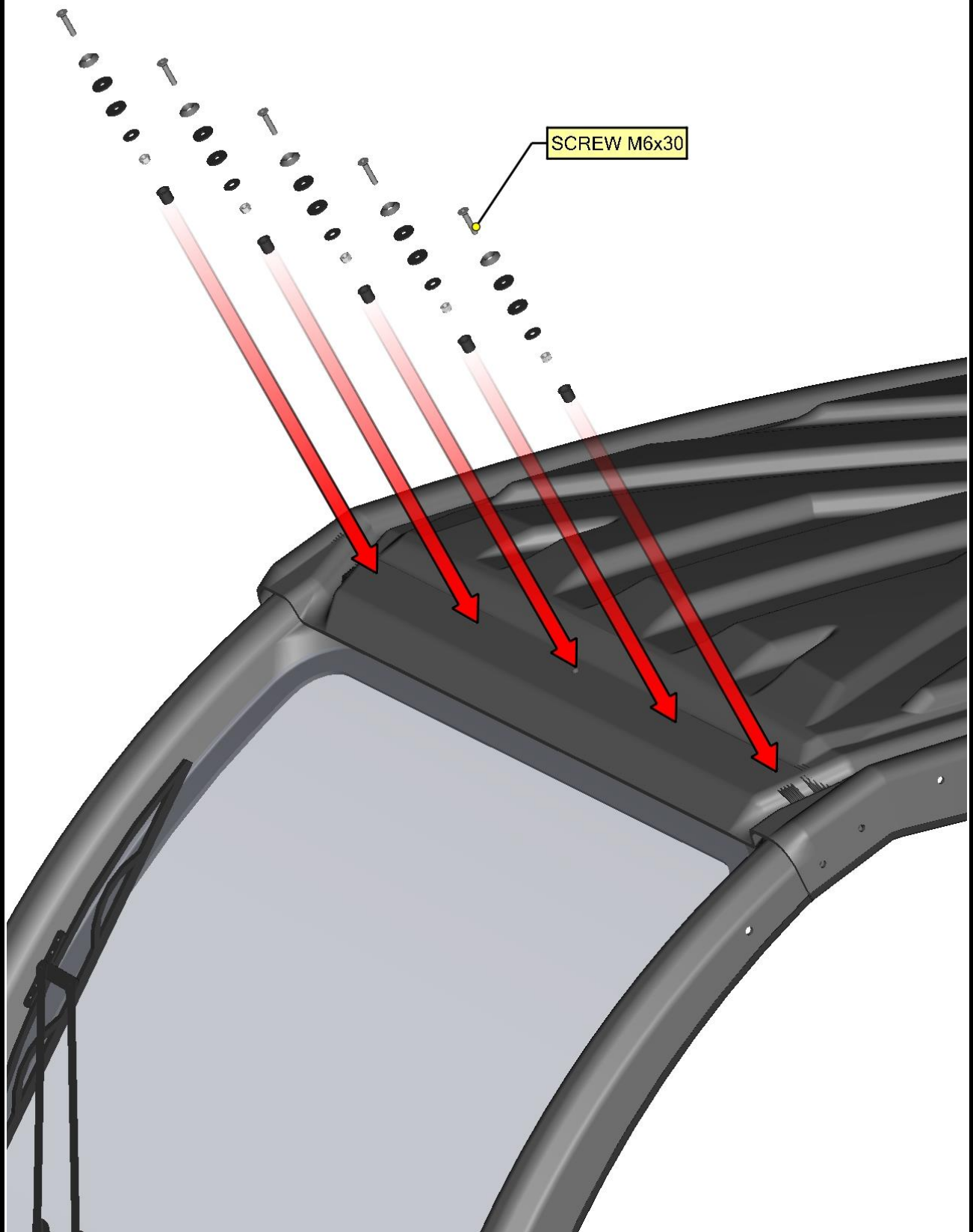
25

Place the roof onto the front panel and onto the rear panel in accordance with the hole.

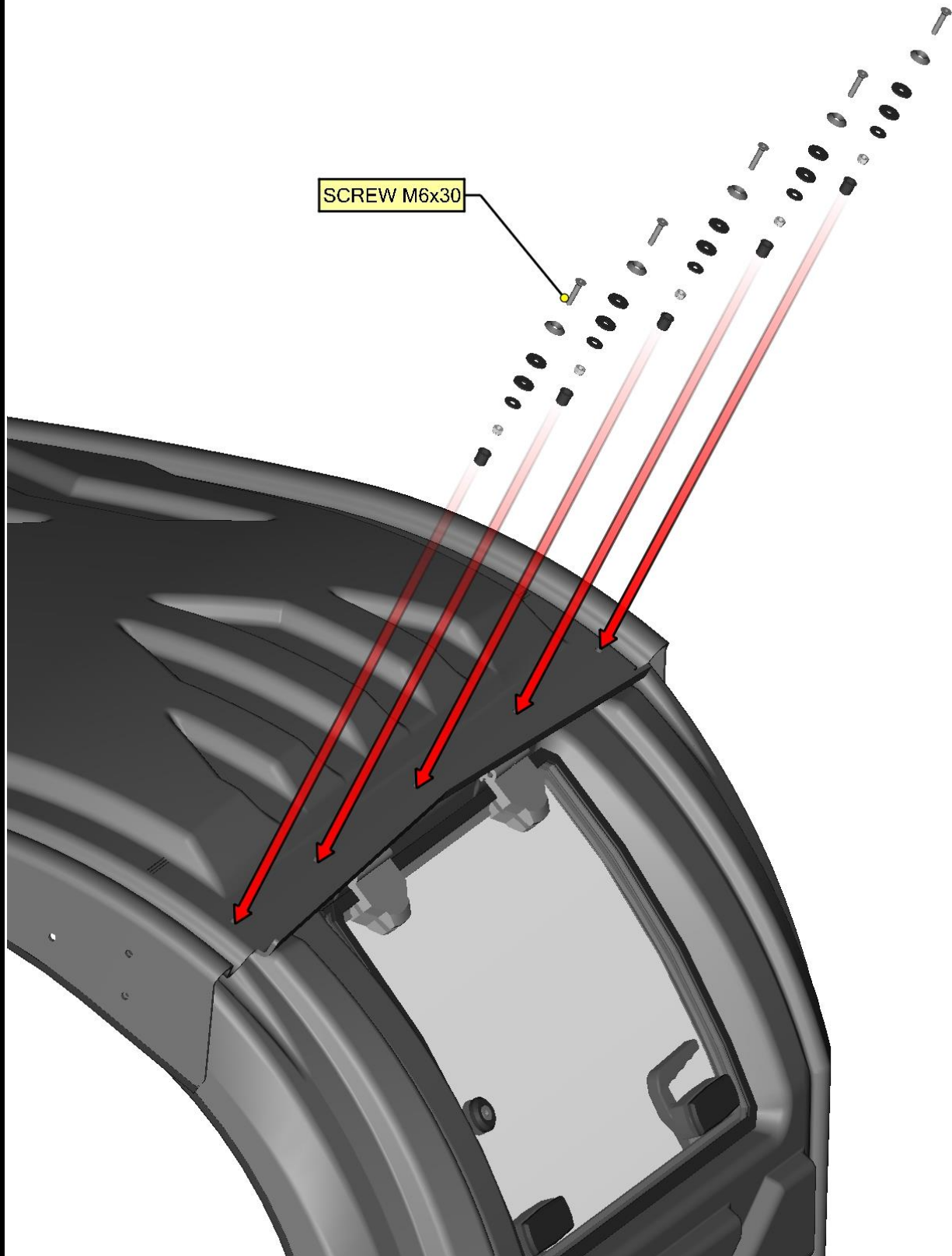


26

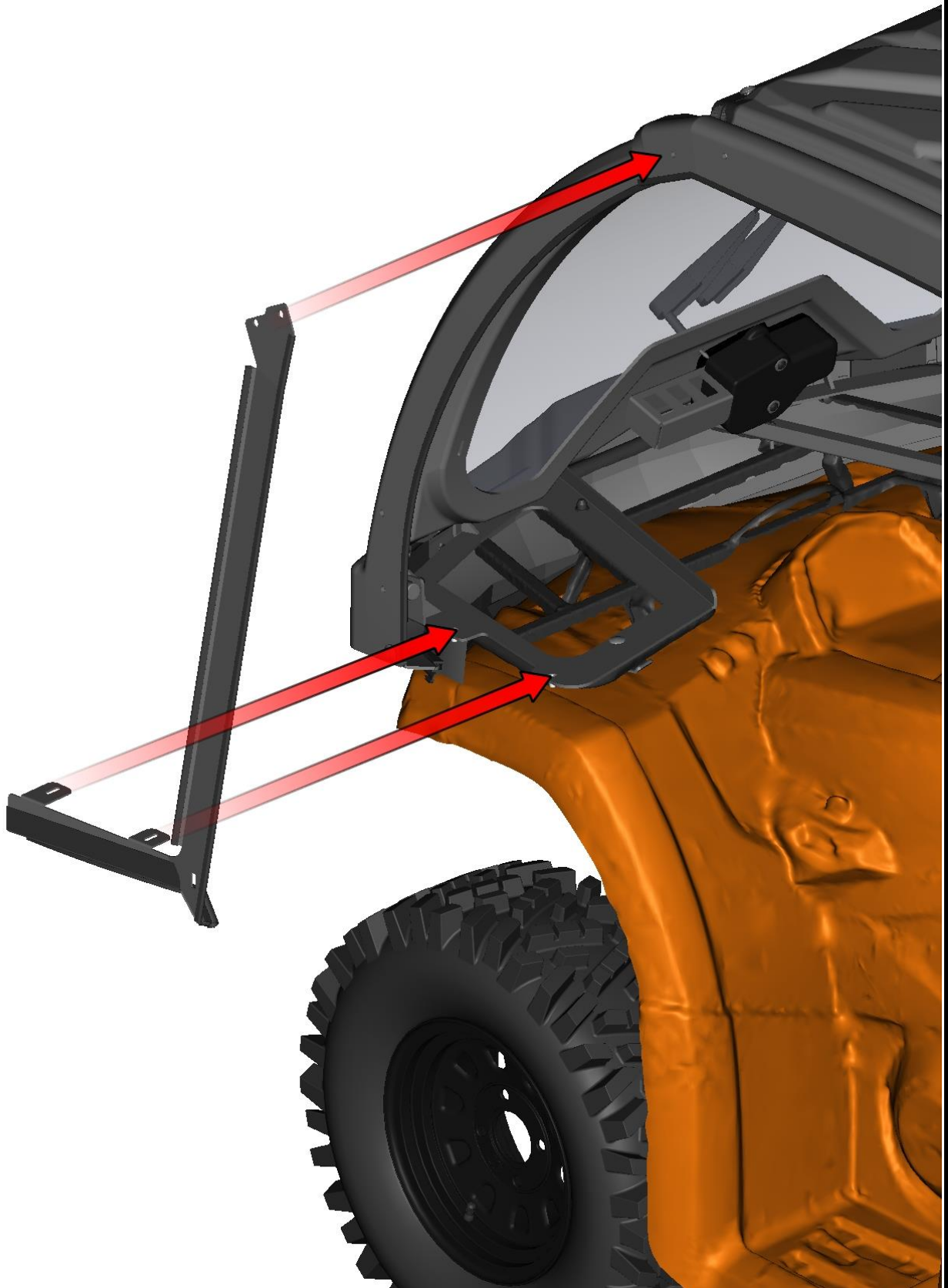
Adjust the roof panel to the correct position and fix the front panel with the roof panel by included screws, washers, nuts and covers.



Adjust the roof panel to the correct position and fix the rear panel with the roof panel by included screws, washers, nuts and covers.

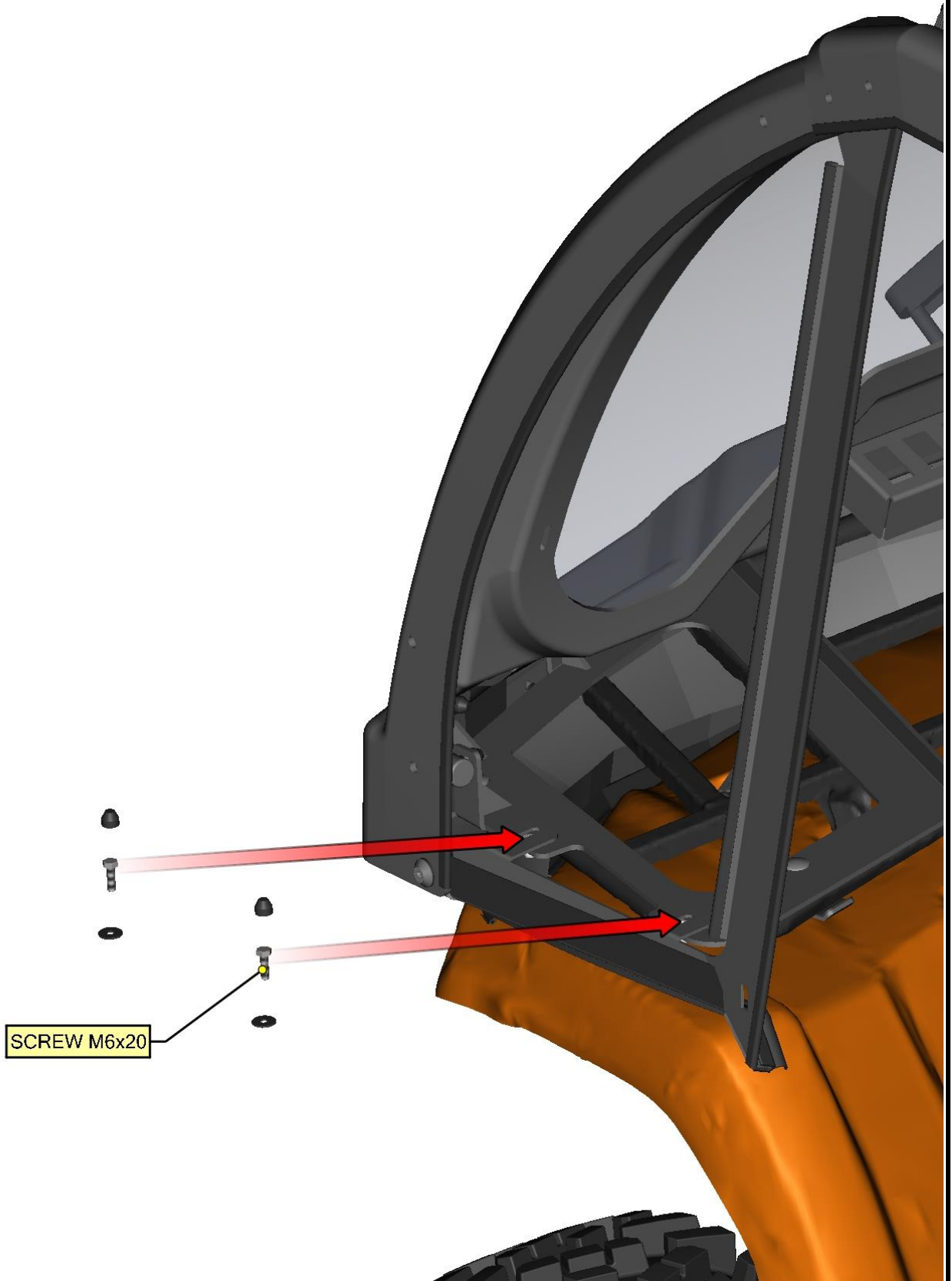


Place the left front reinforcement onto the front panel and insert upper part of the reinforcement under the roof carefully.



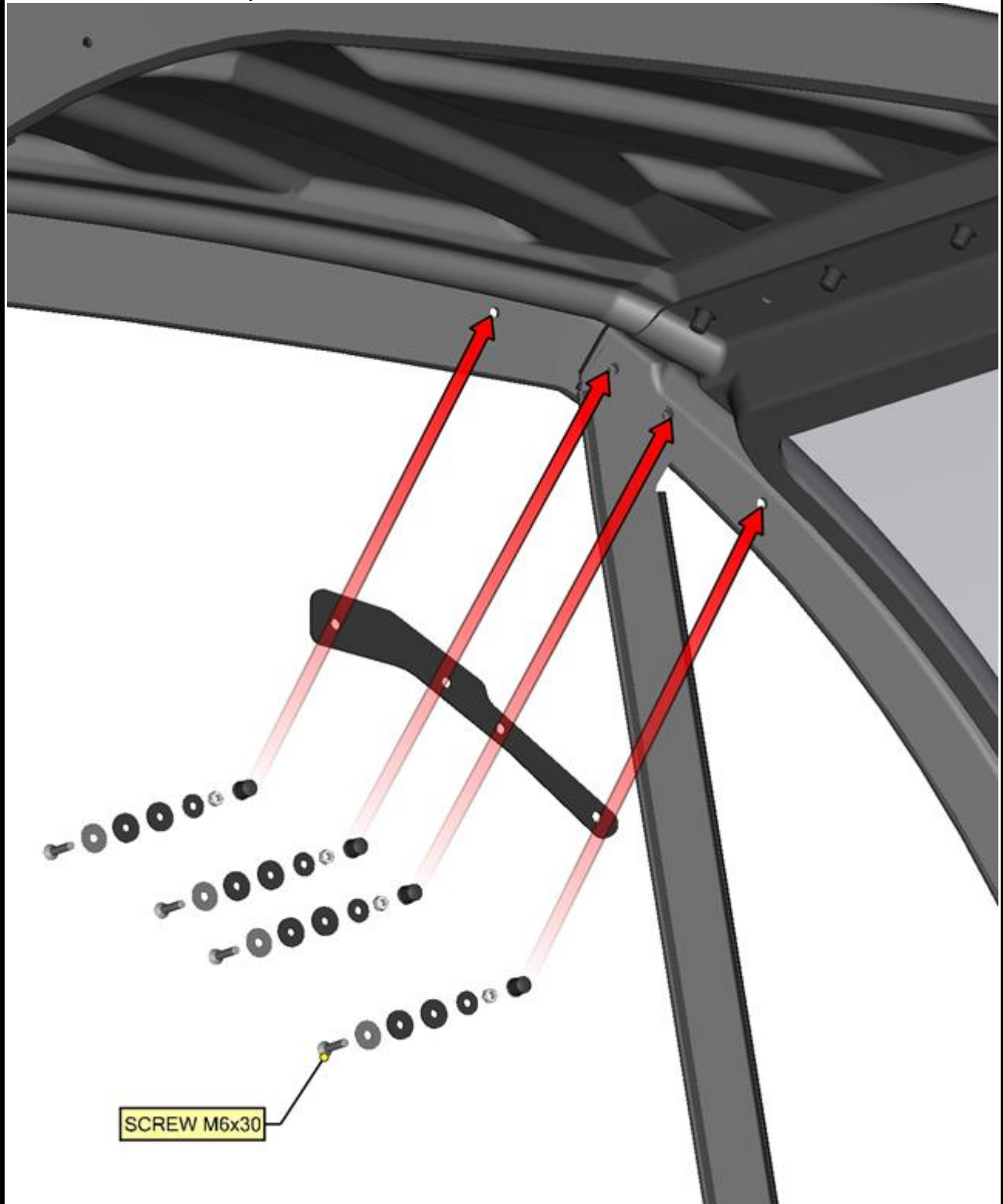
29

Fix the front left reinforcement with the front panel by included screws, washers and covers.



30

Place the front upper ledge between the front panel and front left reinforcement from inner side. SEE NEXT PAGE
Fix the ledge and the reinforcement with the front panel and with the roof by included screws, washers, nuts and covers.



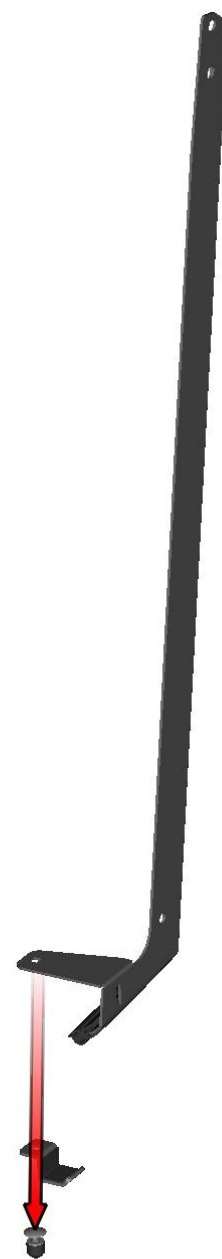
31

View onto the installed parts.



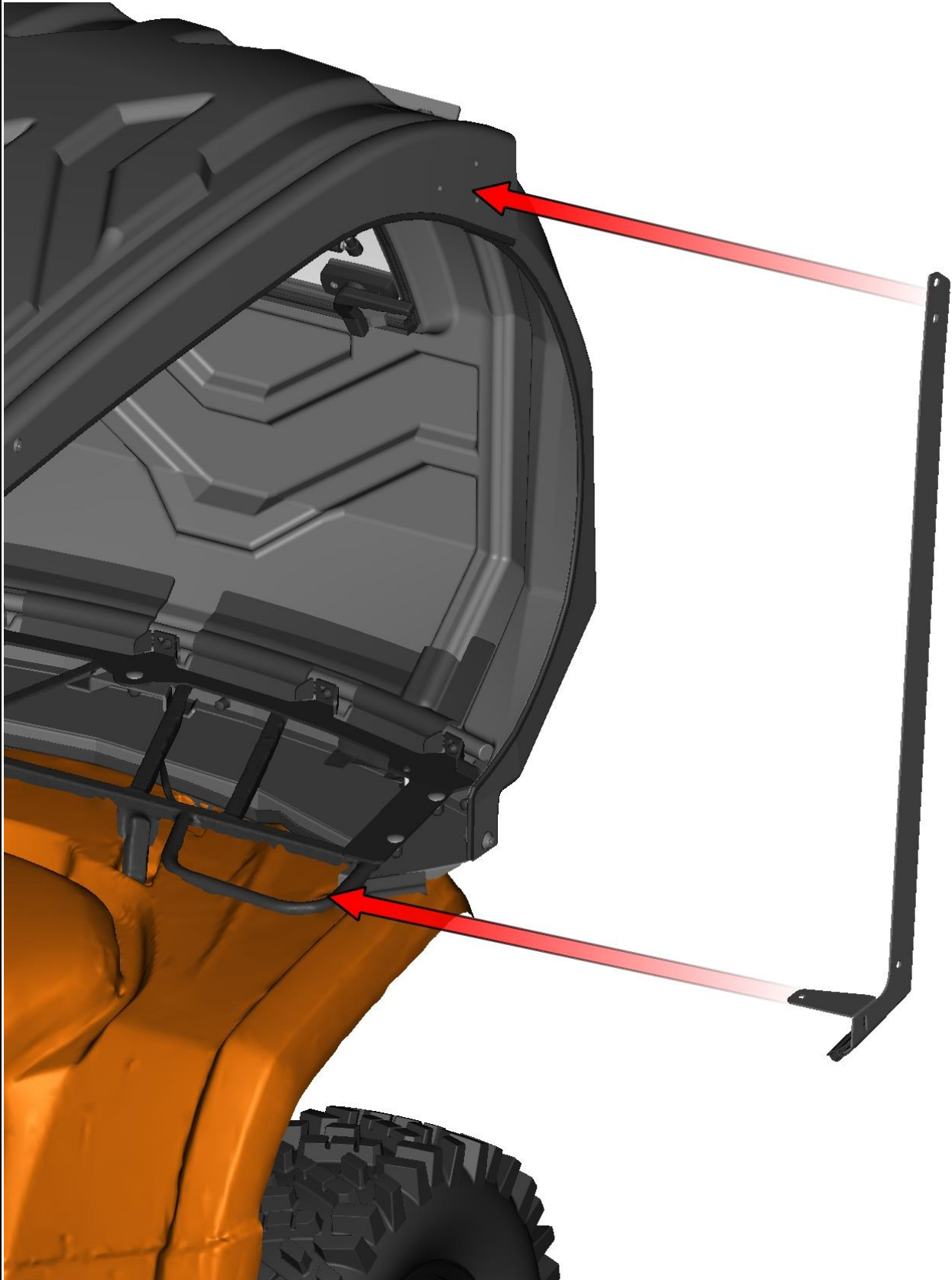
32

Uninstall the bottom holder assembly from the rear left reinforcement.



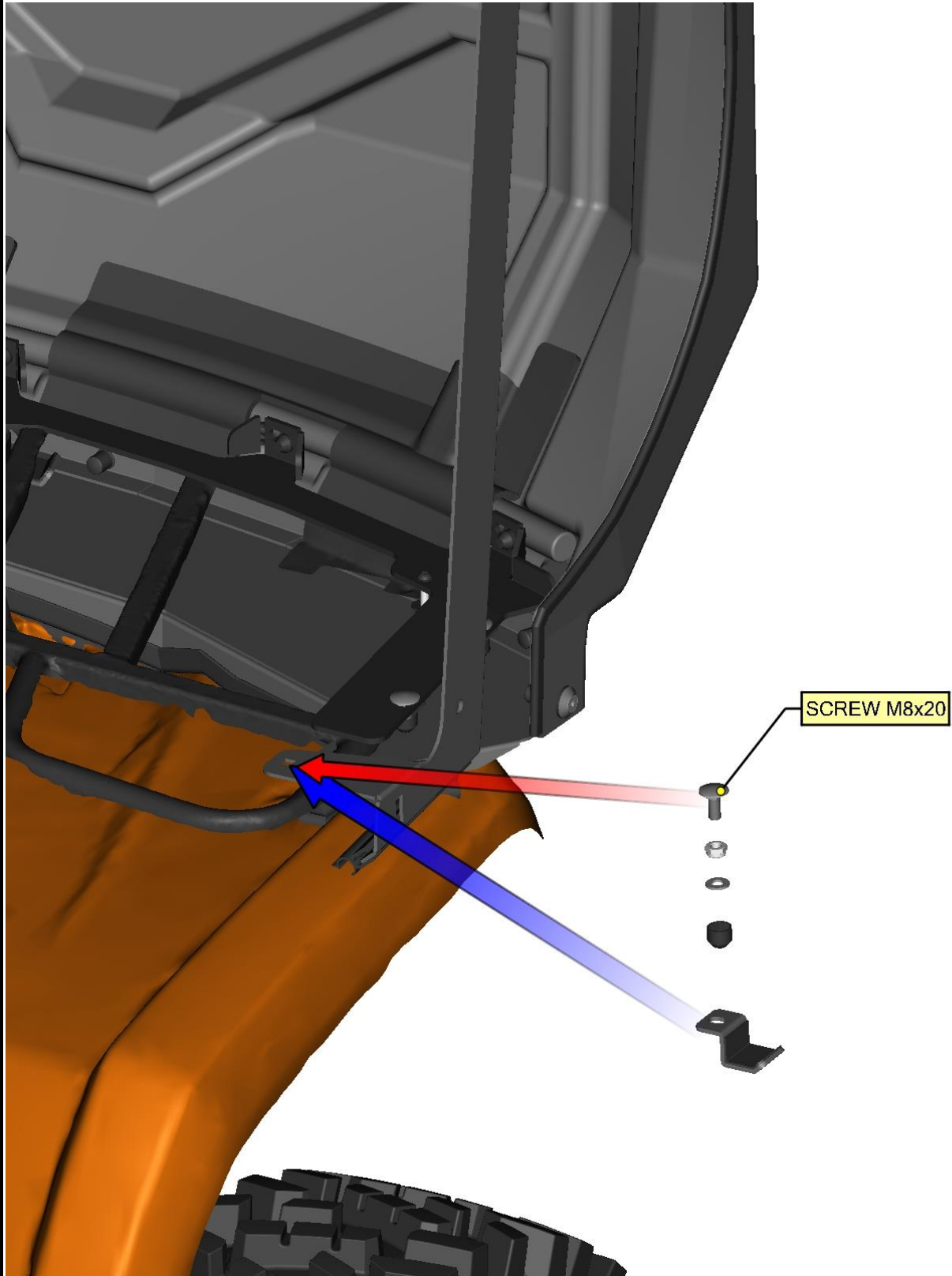
33

Place the left rear reinforcement onto the rear original grill. Turn the upper part of the reinforcement under the roof carefully.

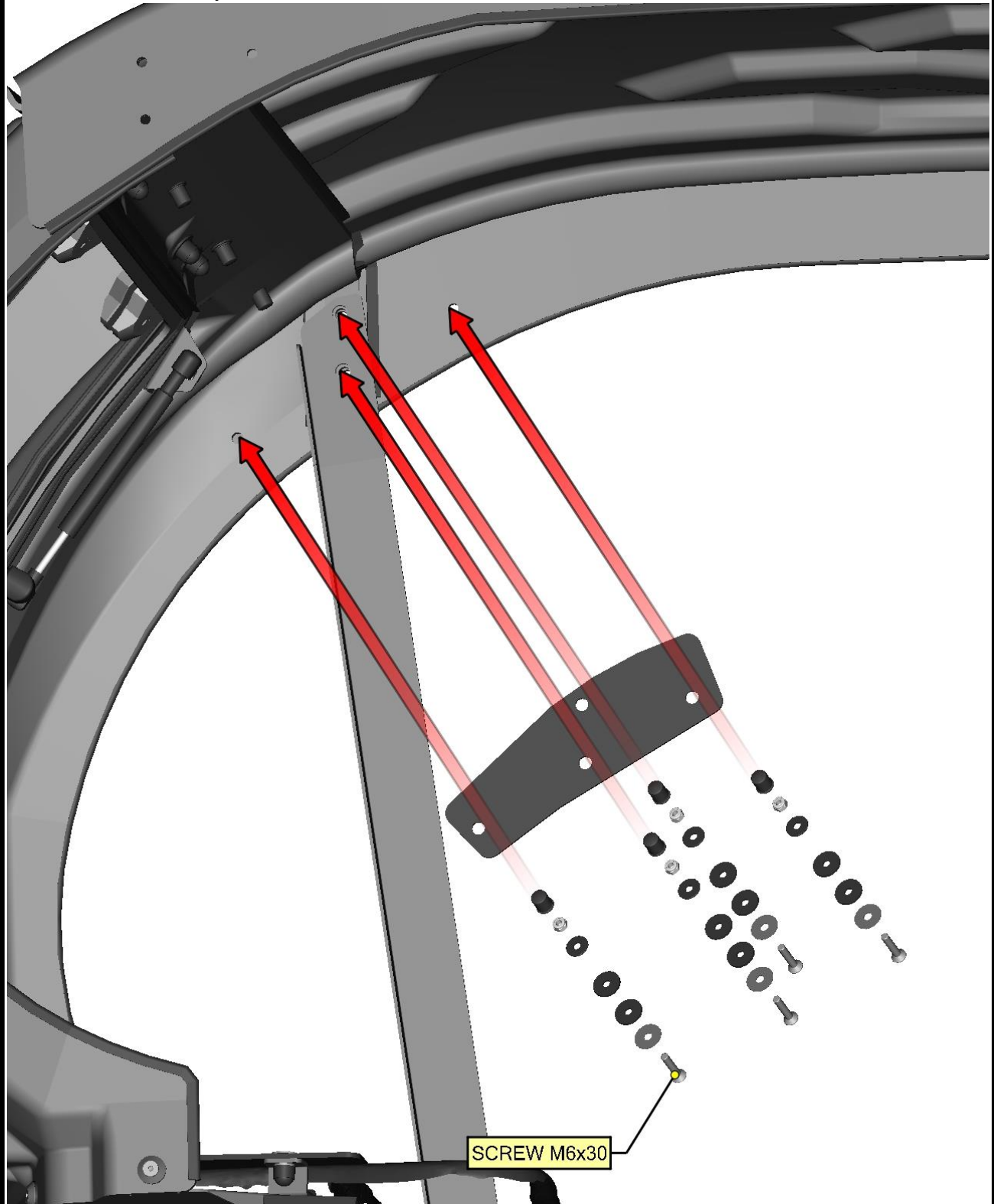


34

Place the reinforcement holder under the grill and onto the reinforcement. Fix the holder with the reinforcement to the grill by included screw, washer, nut and cover.

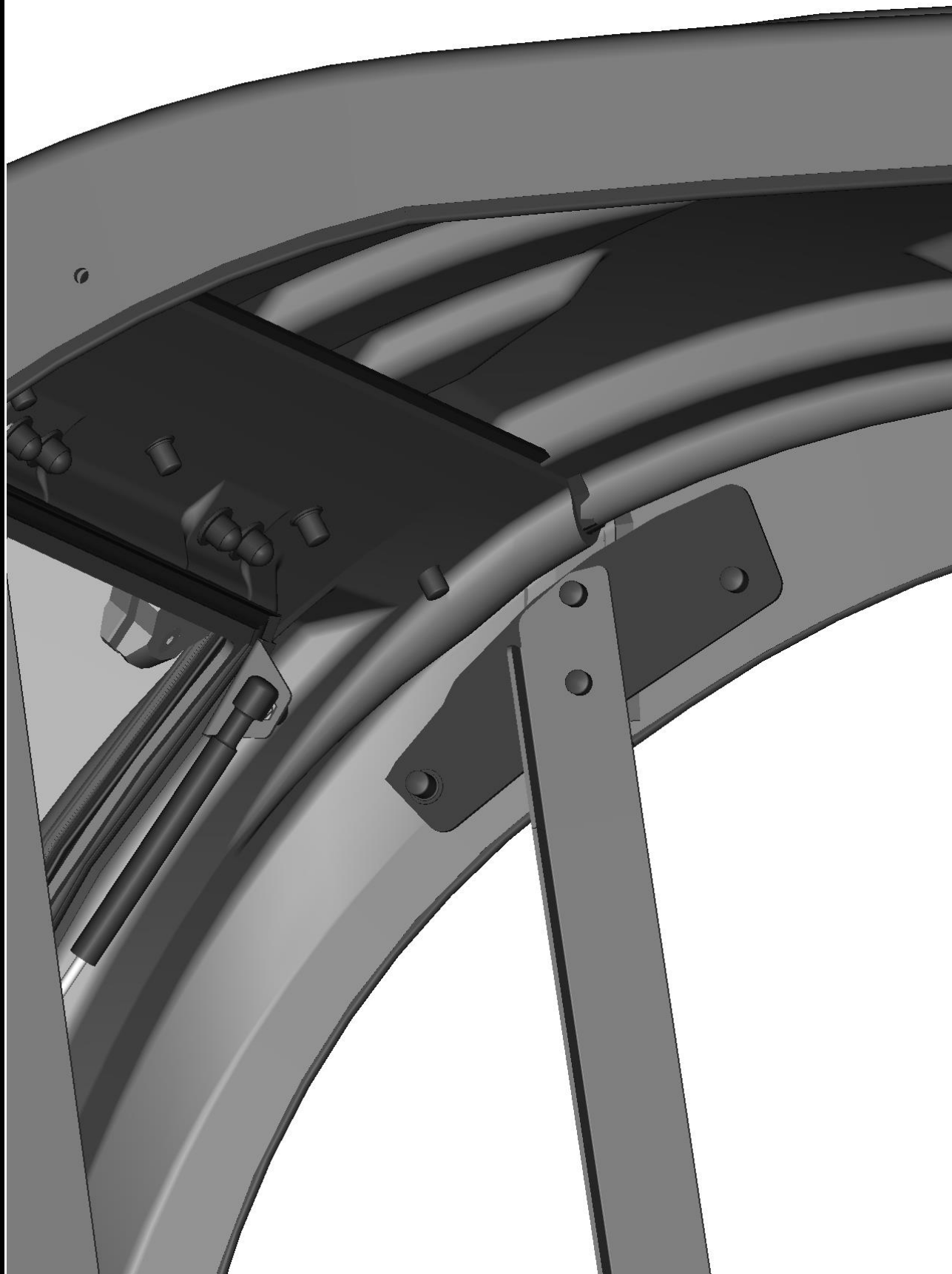


Place the rear upper ledge between the rear panel and rear left reinforcement from inner side. SEE NEXT PAGE
Fix the ledge and the reinforcement with the rear panel and with the roof by included screws, washers, nuts and covers.



36

View onto the installed parts.



37

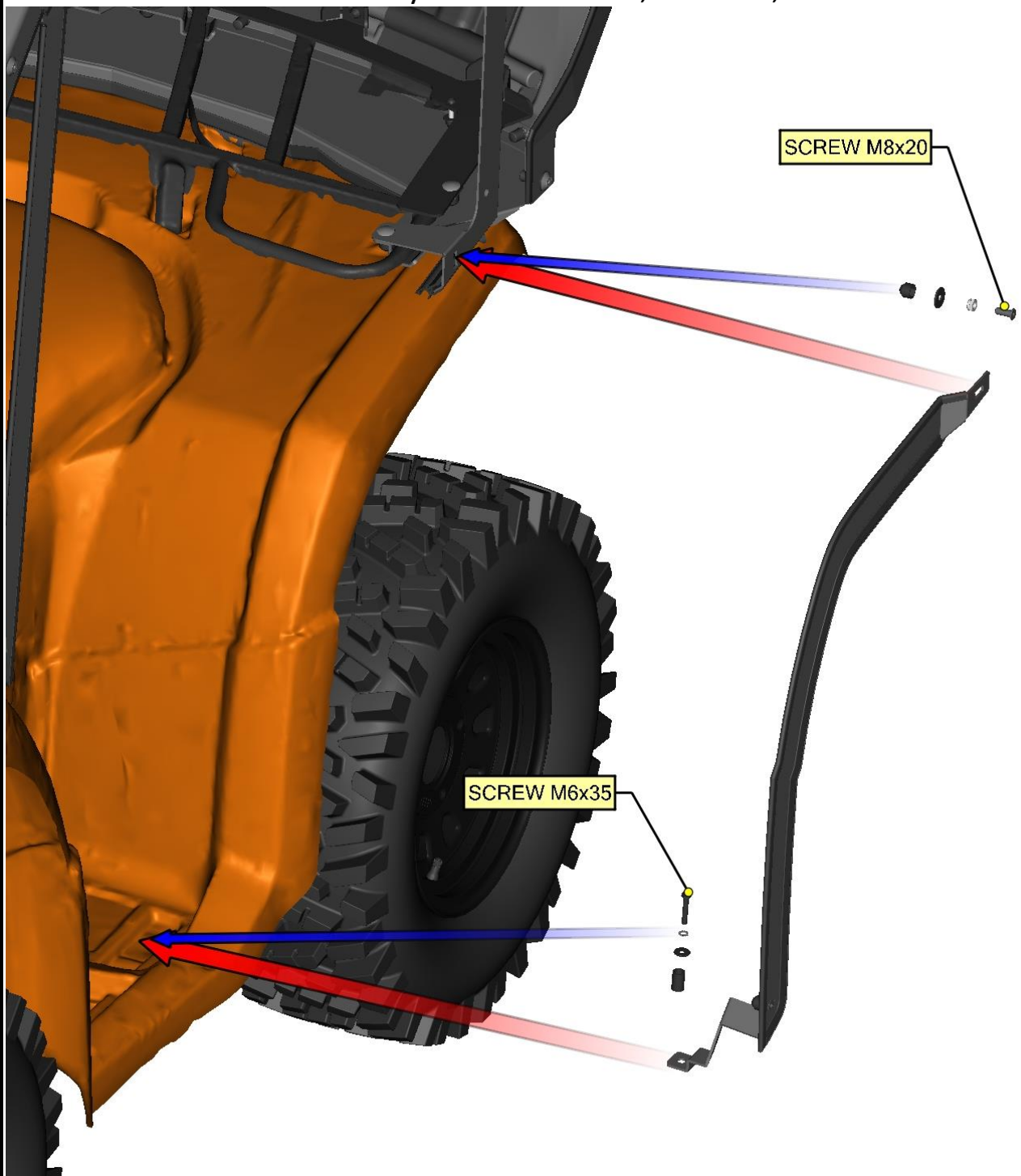
Repeat previous steps on the right side of the vehicle.



38

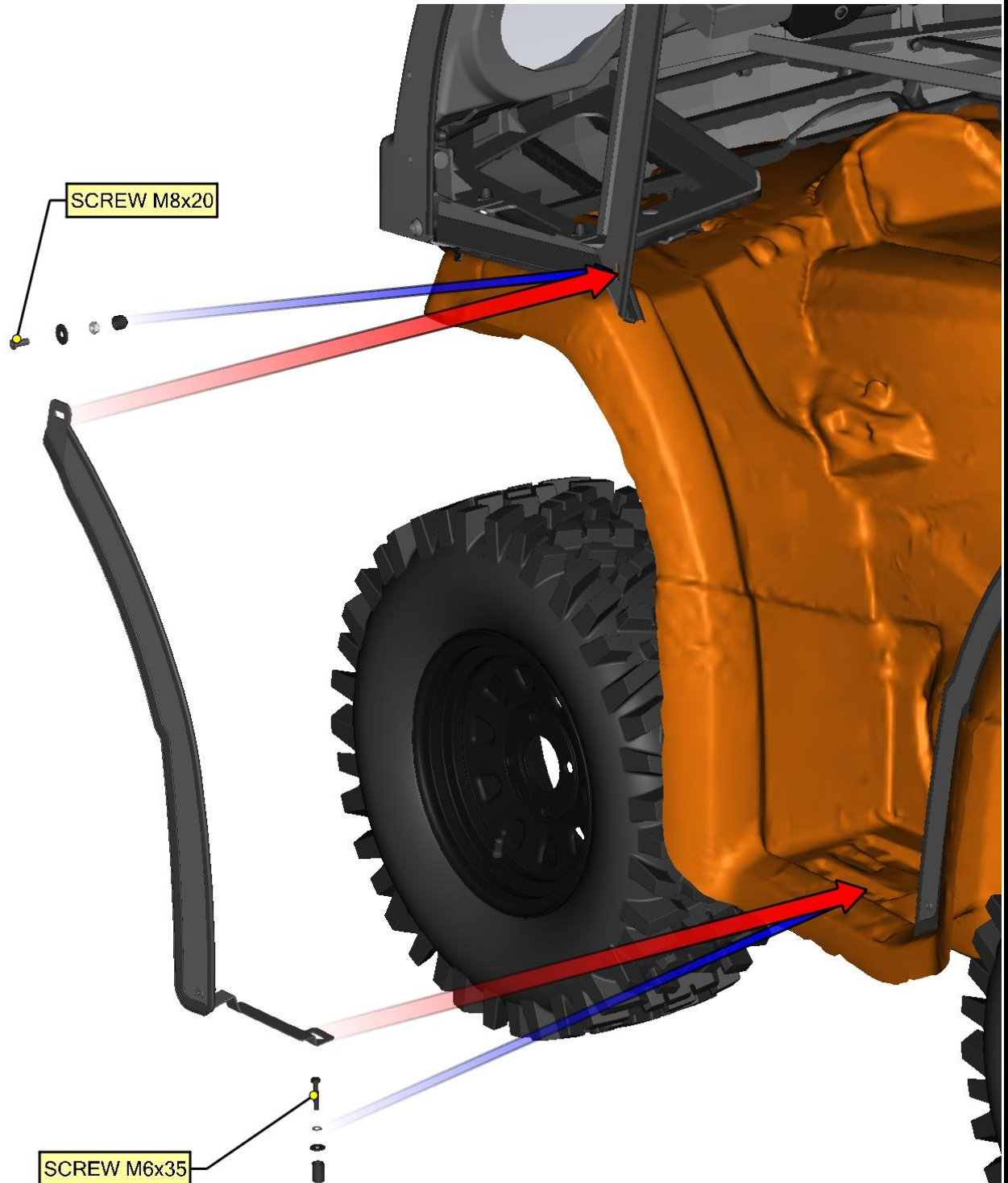
LEFT AND RIGHT DOOR INSTALLATION

Place the rear bottom ledge onto the rear reinforcement and onto the vehicle. Loose original screw from the step grill. Adjust the bottom ledge and bottom holder to the correct position. Fix the bottom holder with the vehicle by original screw and included washers. Fix the bottom ledge with the rear reinforcement by included screw, washers, nut and cover.

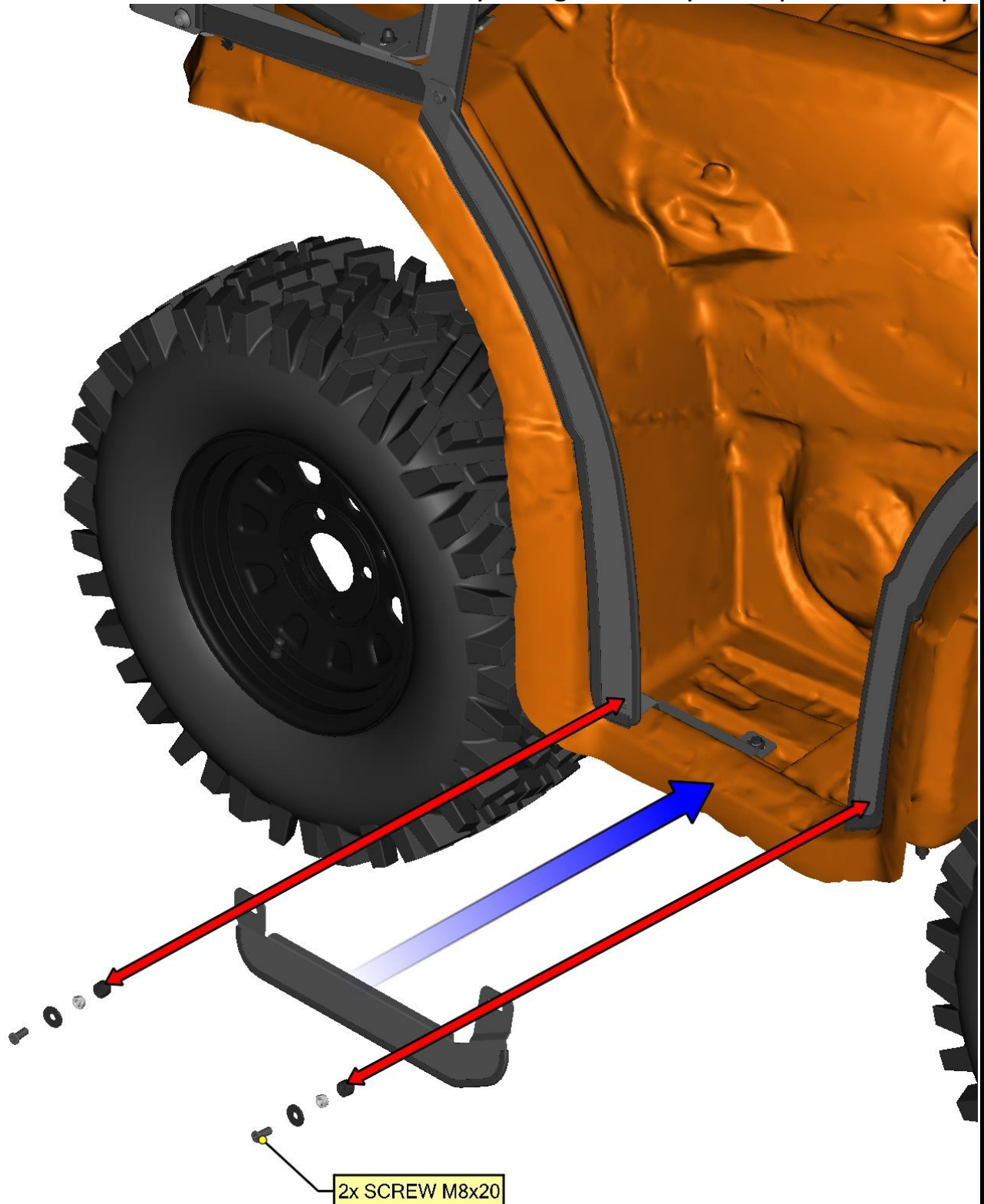


39

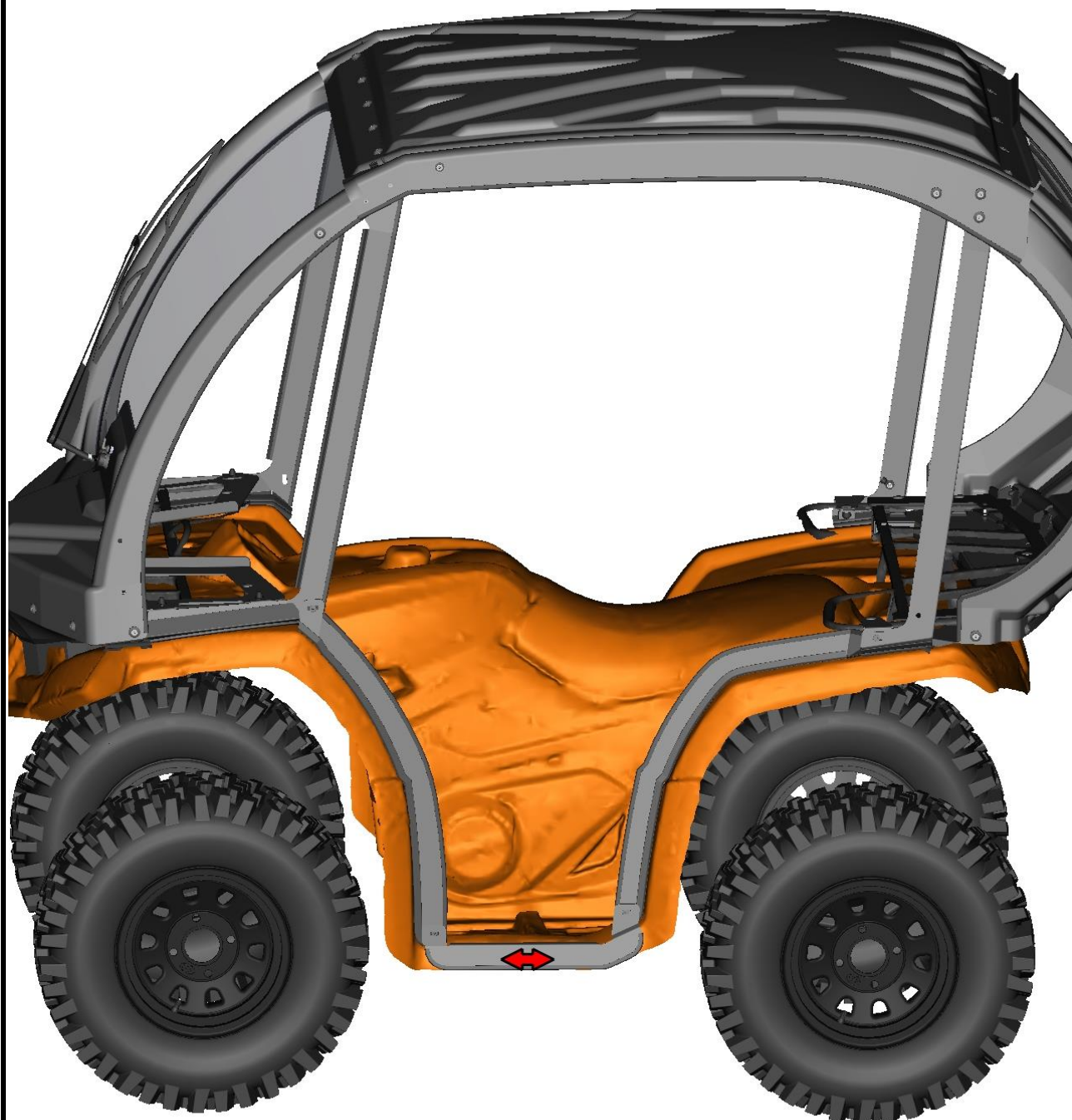
Place the front bottom ledge onto the front reinforcement and onto the vehicle. Adjust the bottom ledge and bottom holder to the correct position. Fix the bottom holder with the vehicle by included screw and washers. Fix the bottom ledge with the front reinforcement by included screw, washers, nut and cover.



Uninstall the fixing assembly from front bottom ledge. Place the bottom ledge onto the ledges. Fix the bottom ledge with the ledges by included screw, washer, nut and cover and by fixing assembly from previous step.



Adjust bottom ledges to best position and tighten bottom screws.



42

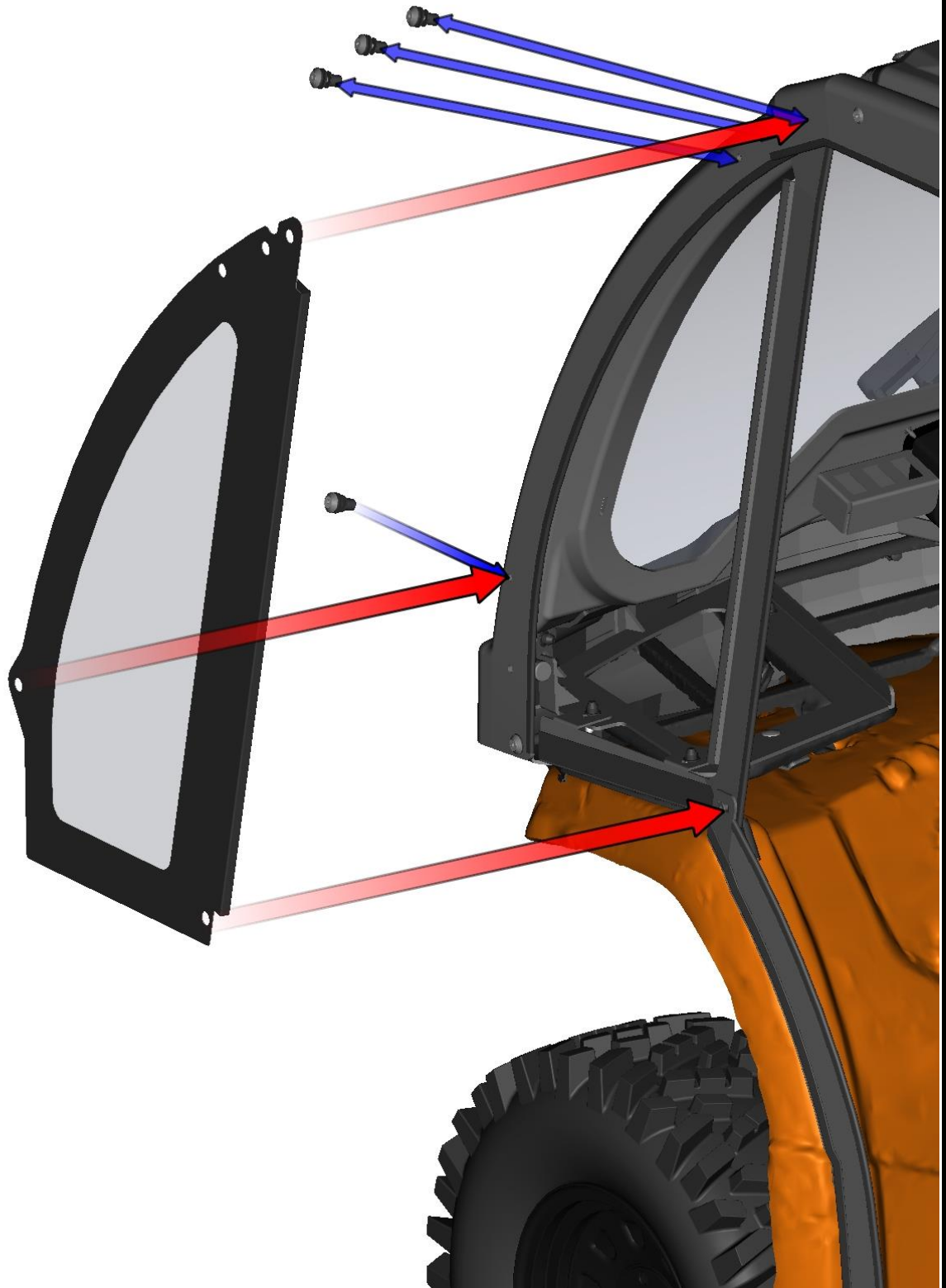
Repeat previous steps on second side.

Clean the inner plane of the front plastic panel (red mark) and stick with included self-glued velcro pieces.

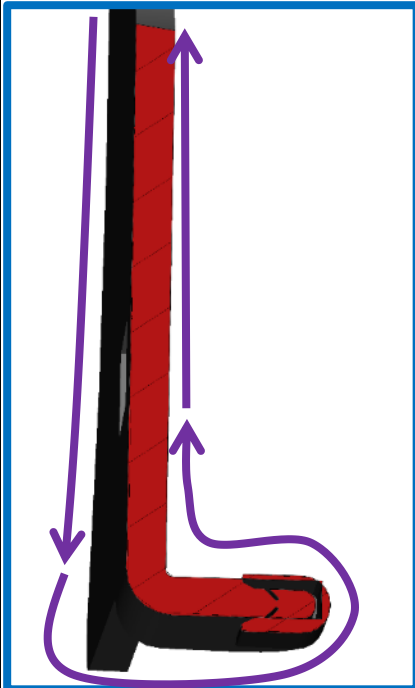


43

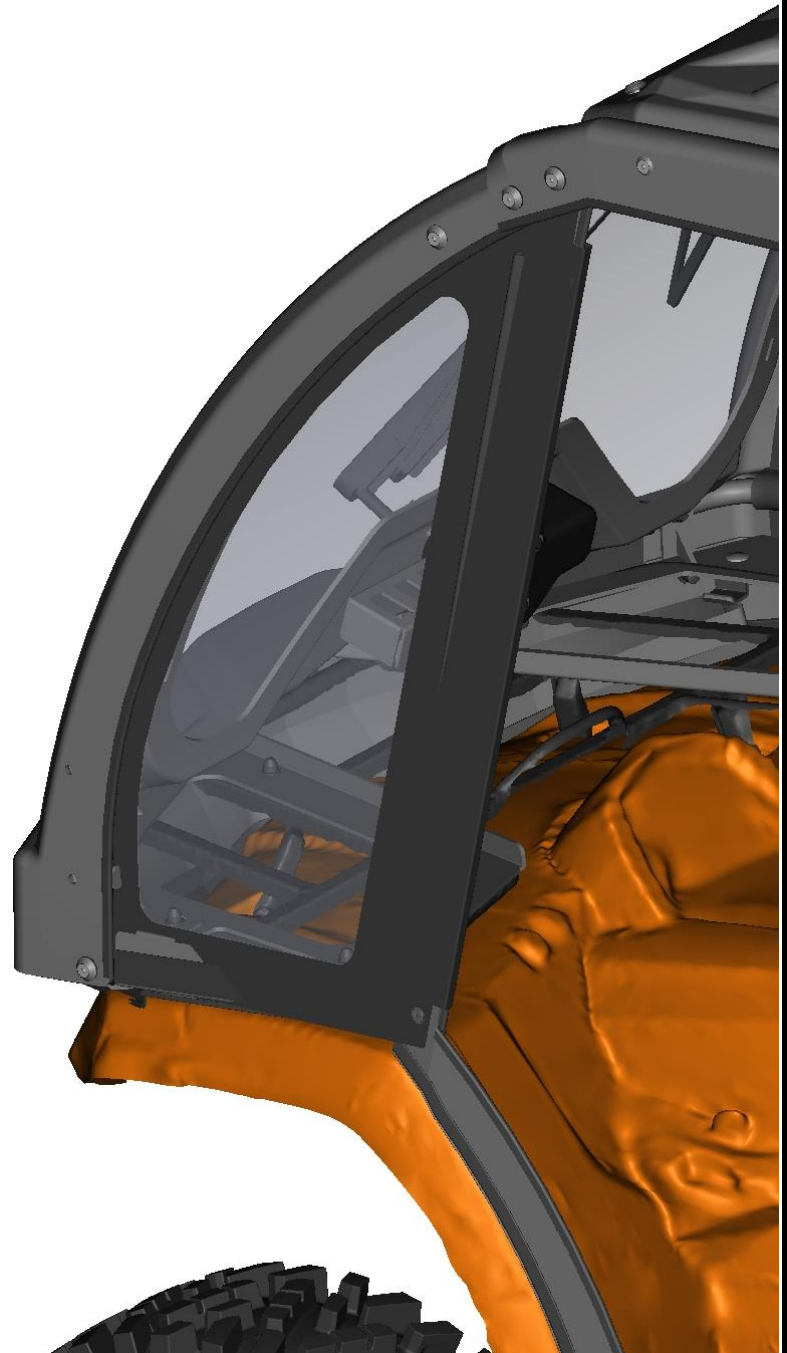
Uninstall the fixing assembly from the front panel. Place the left front PVC part onto the front panel velcro from inner side. Fix the front PVC part with the front panel by fixing assemblies from previous steps.



Run the front PVC part to the front reinforcement to outer side.
 Turn the PVC part around the reinforcement (detail cut view) and press
 the end of the PVC with velcro onto the PVC part.



DETAIL CUT VIEW FROM UPPER SIDE
 FOR YOUR BETTER ORIENTATION



45

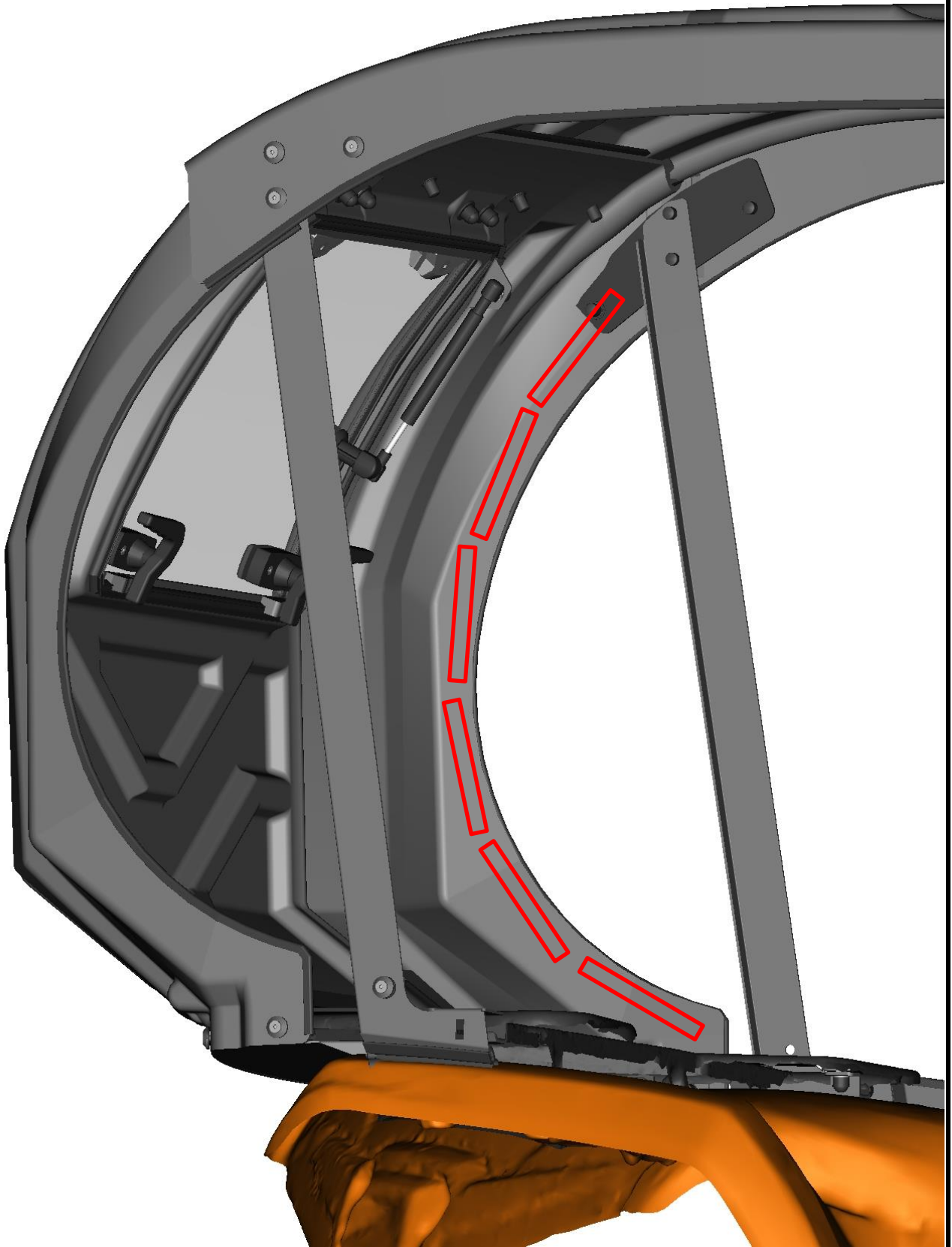
SEE NEXT PAGES

Repeat previous steps on the second side.
Detailed (inner side) photo of installed front PVC part on the right side of the vehicle.



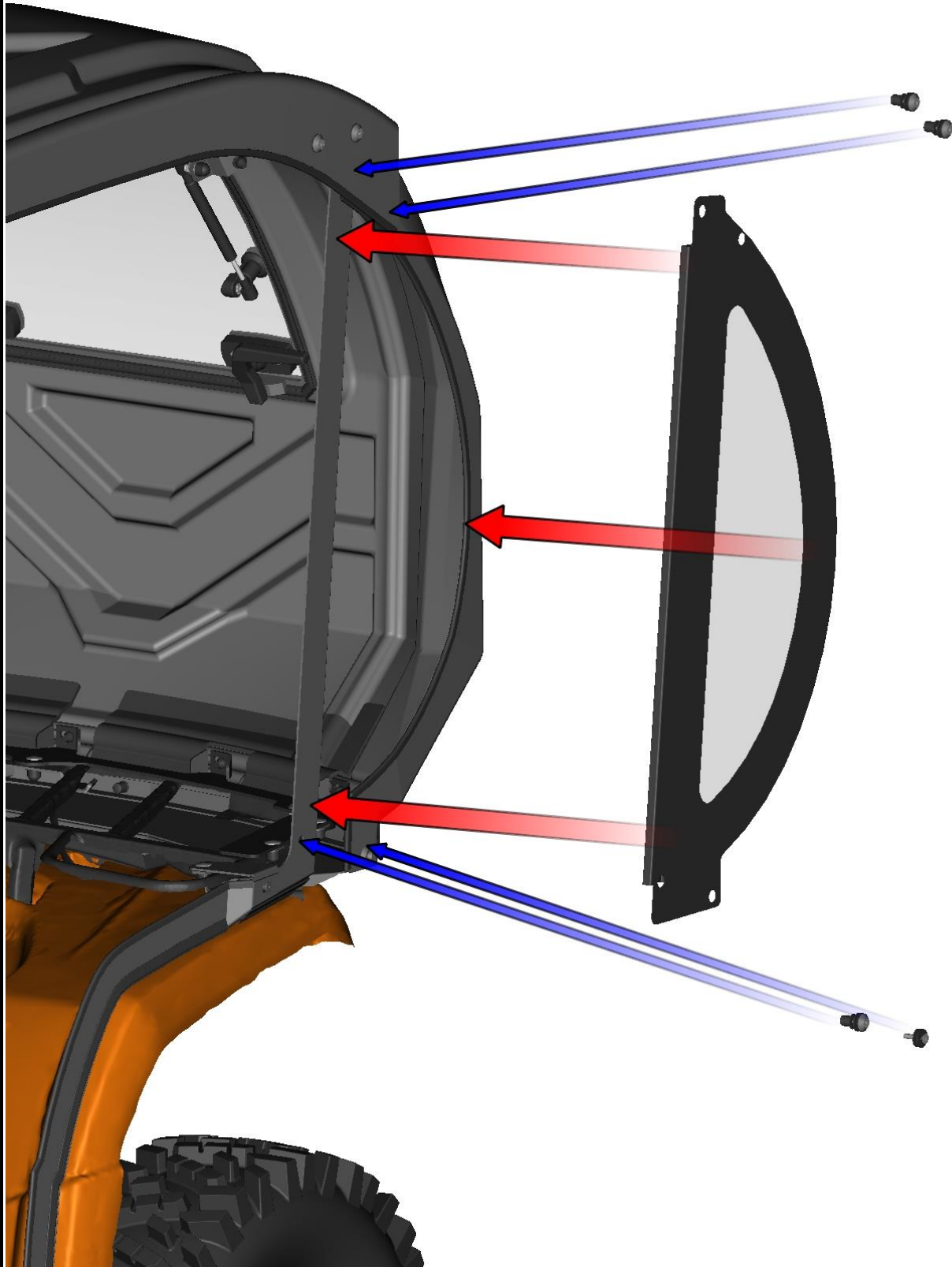
46

Clean the inner plane of the rear plastic panel (red mark) and stick with included self-glued velcro pieces.

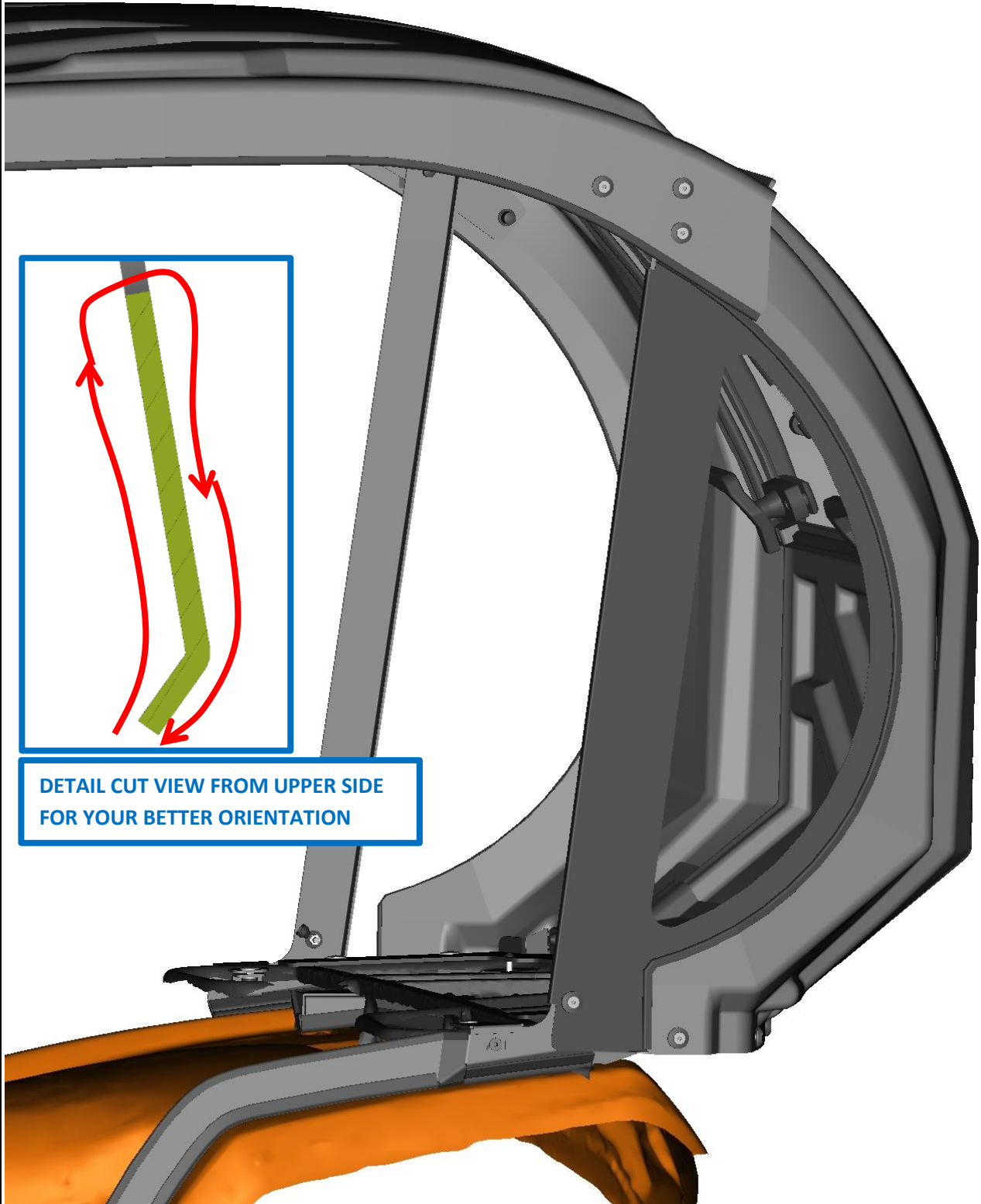


47

Uninstall the fixing assembly from the rear panel. Place the left rear PVC part onto the rear panel velcro from inner side. Fix the front PVC part with the rear panel by fixing assemblies from previous steps.



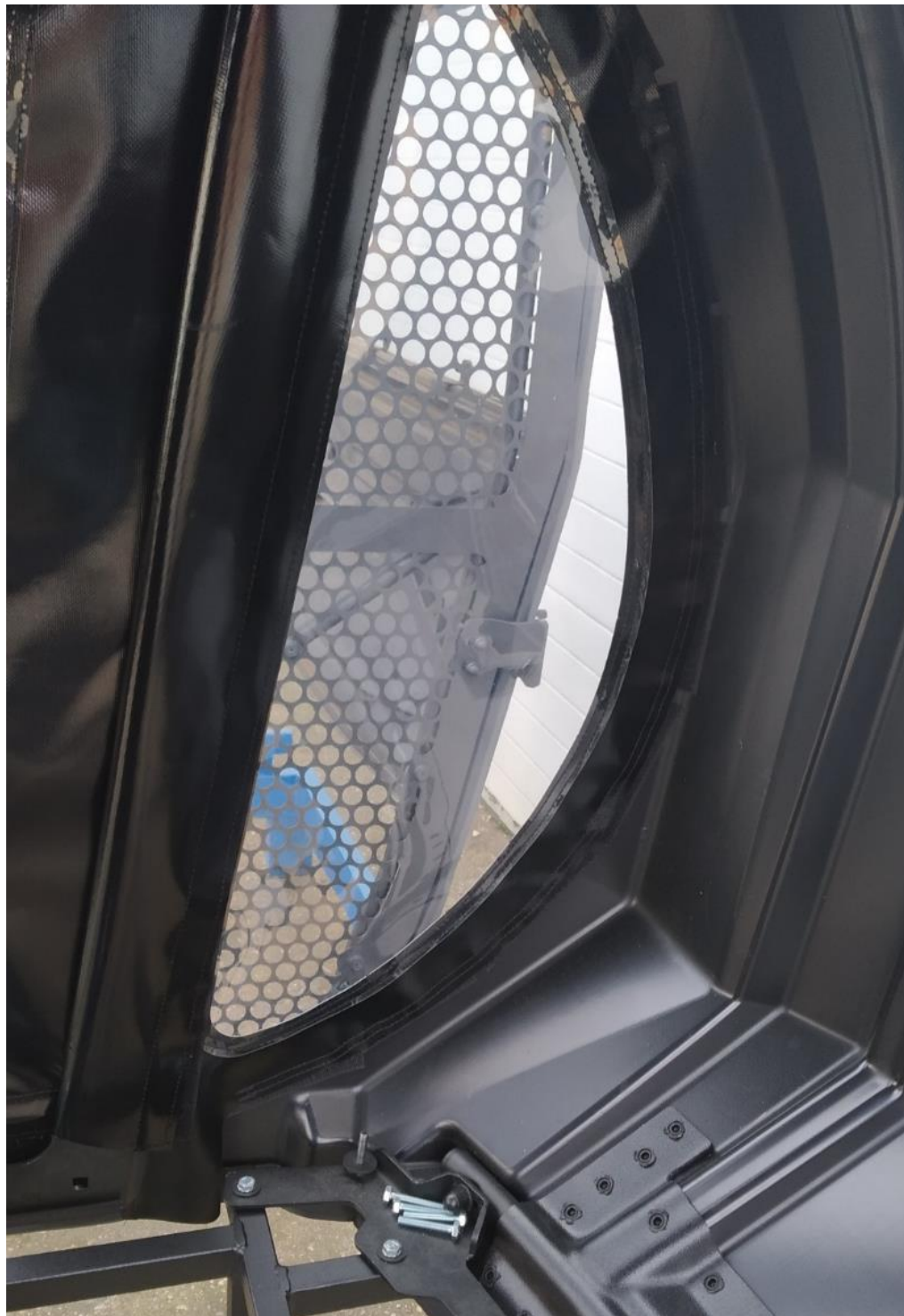
Run the rear PVC part to the rear ledge to outer side.
Turn the PVC part around the rear ledge (detail cut view) and press the
end of the PVC with velcro onto the PVC part.



DETAIL CUT VIEW FROM UPPER SIDE
FOR YOUR BETTER ORIENTATION

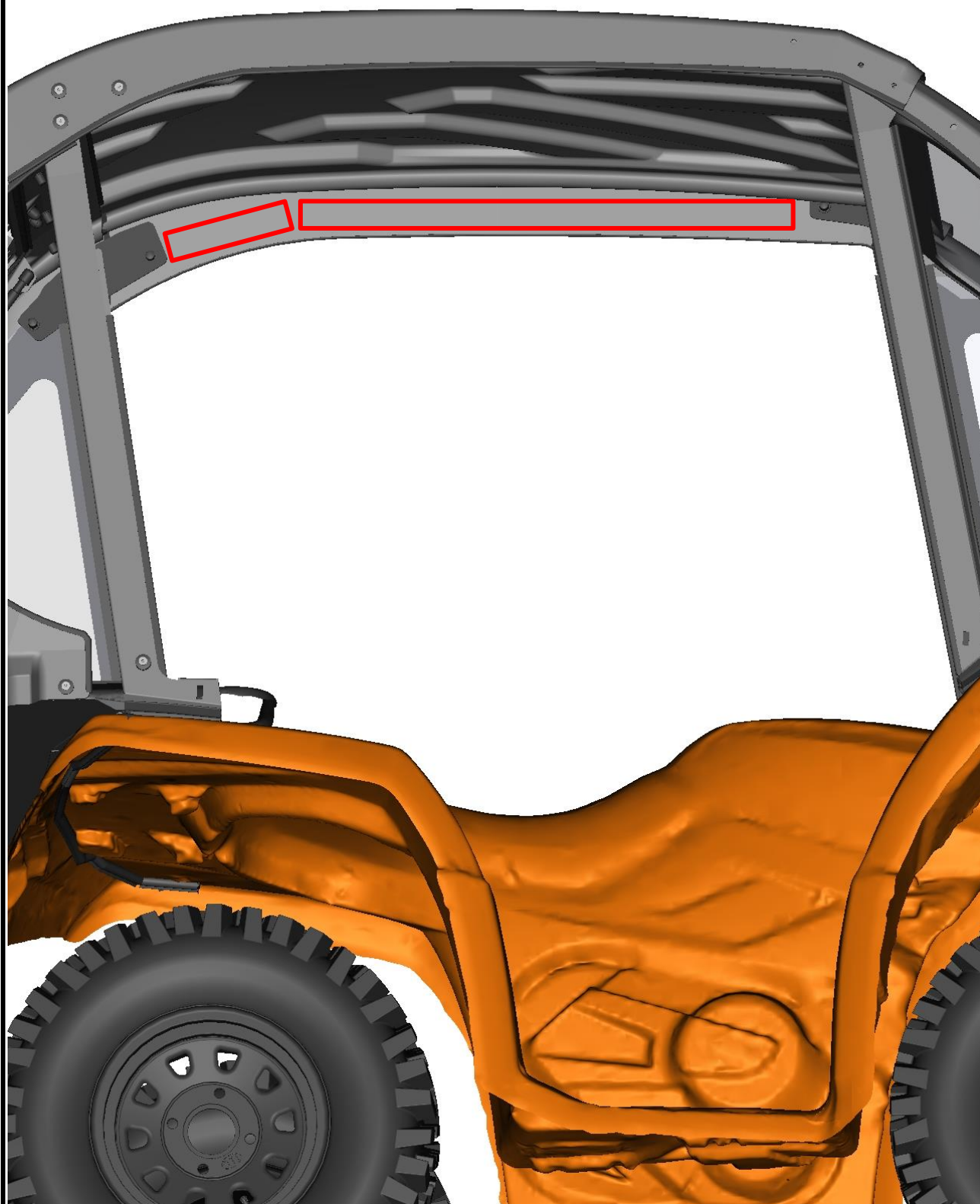
SEE NEXT PAGES

Repeat previous steps on the second side.
Detailed (inner side) photo of installed front PVC part on the right side of the vehicle.



50

Clean the inner plane of the roof plastic panel (red mark) and stick with included self-glued velcro.



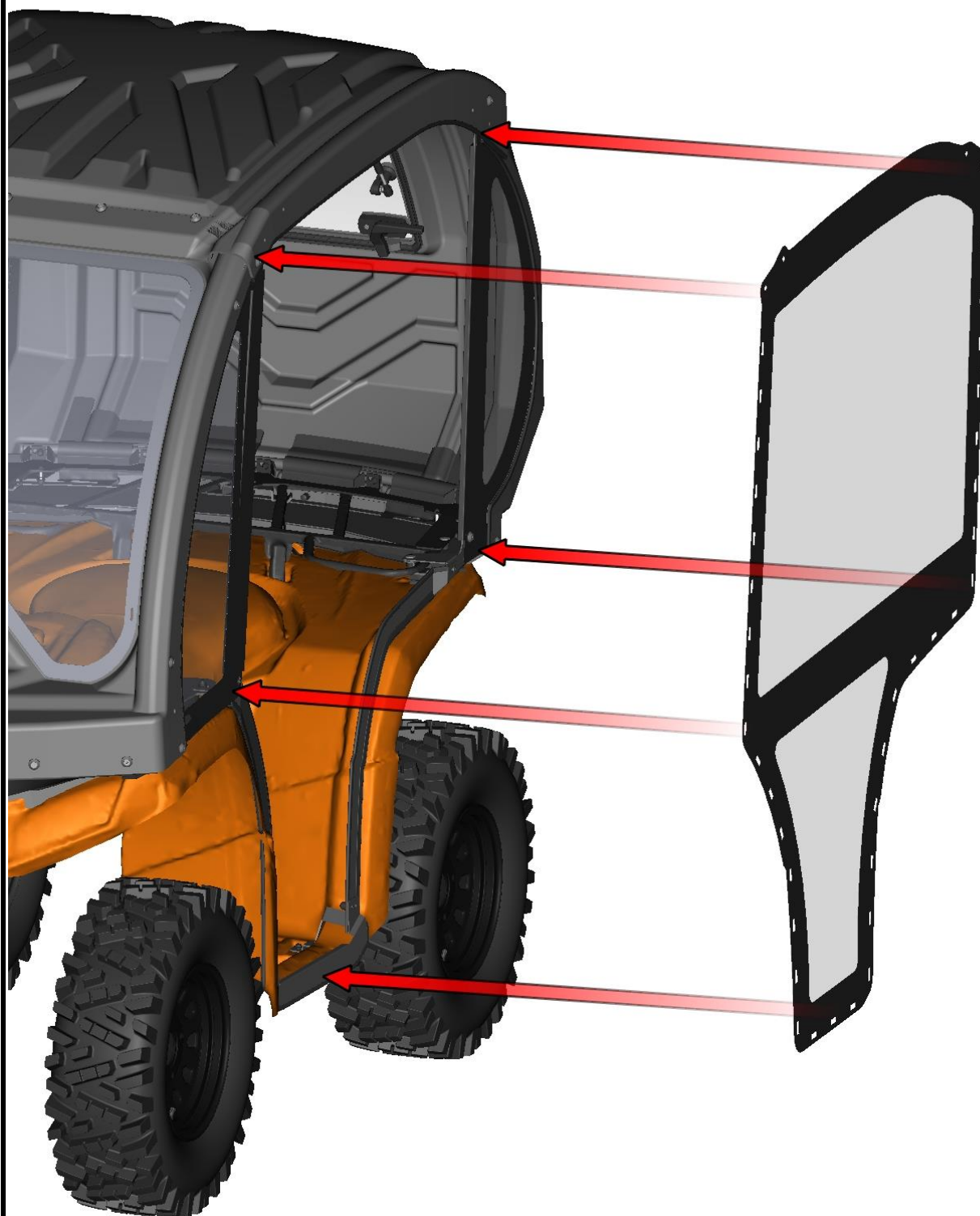
51

Uninstall the fixing assemblies from roof.



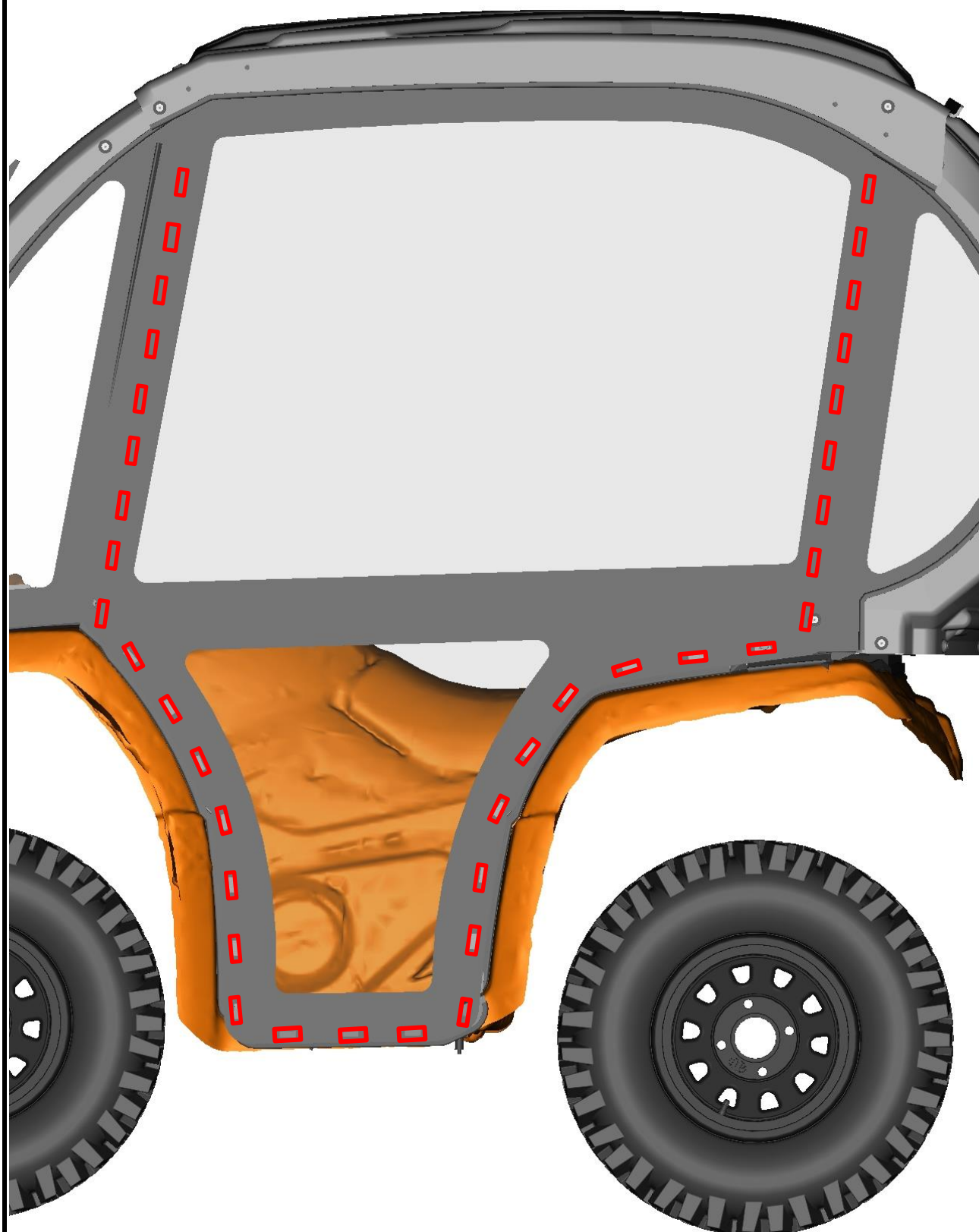
52

Place the left door PVC onto the roof from inner side.



53

Run the door to the outer side. In the PVC door parts are magnets (red marks). These magnets have to hold PVC door closed.



54

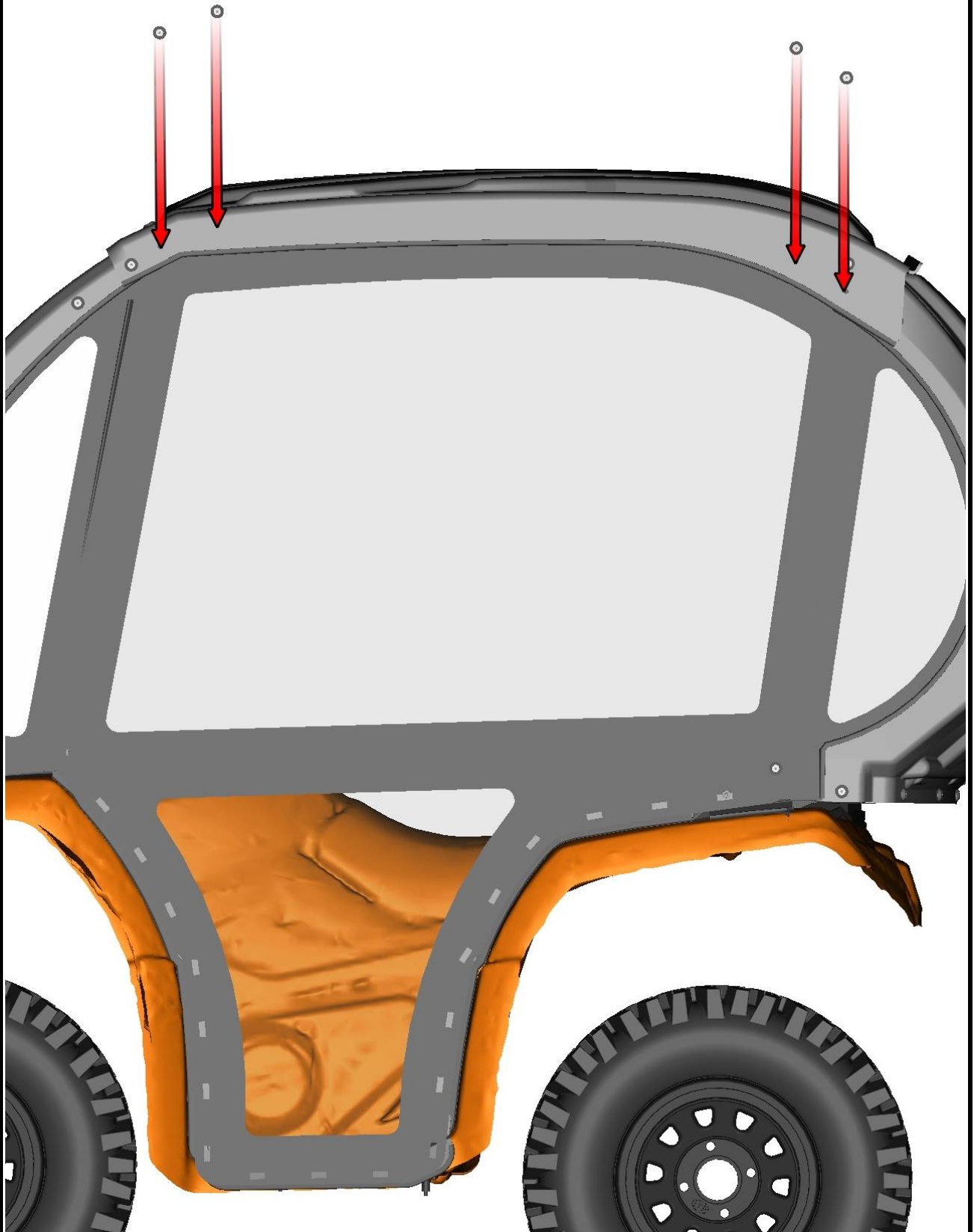
Repeat previous steps on the second side.

SEE NEXT PAGE

Outer view onto the **right** PVC door installed.



Fix the front PVC, rear PVC and door PVC with the cabine using cabine fixing assemblies from page 52.

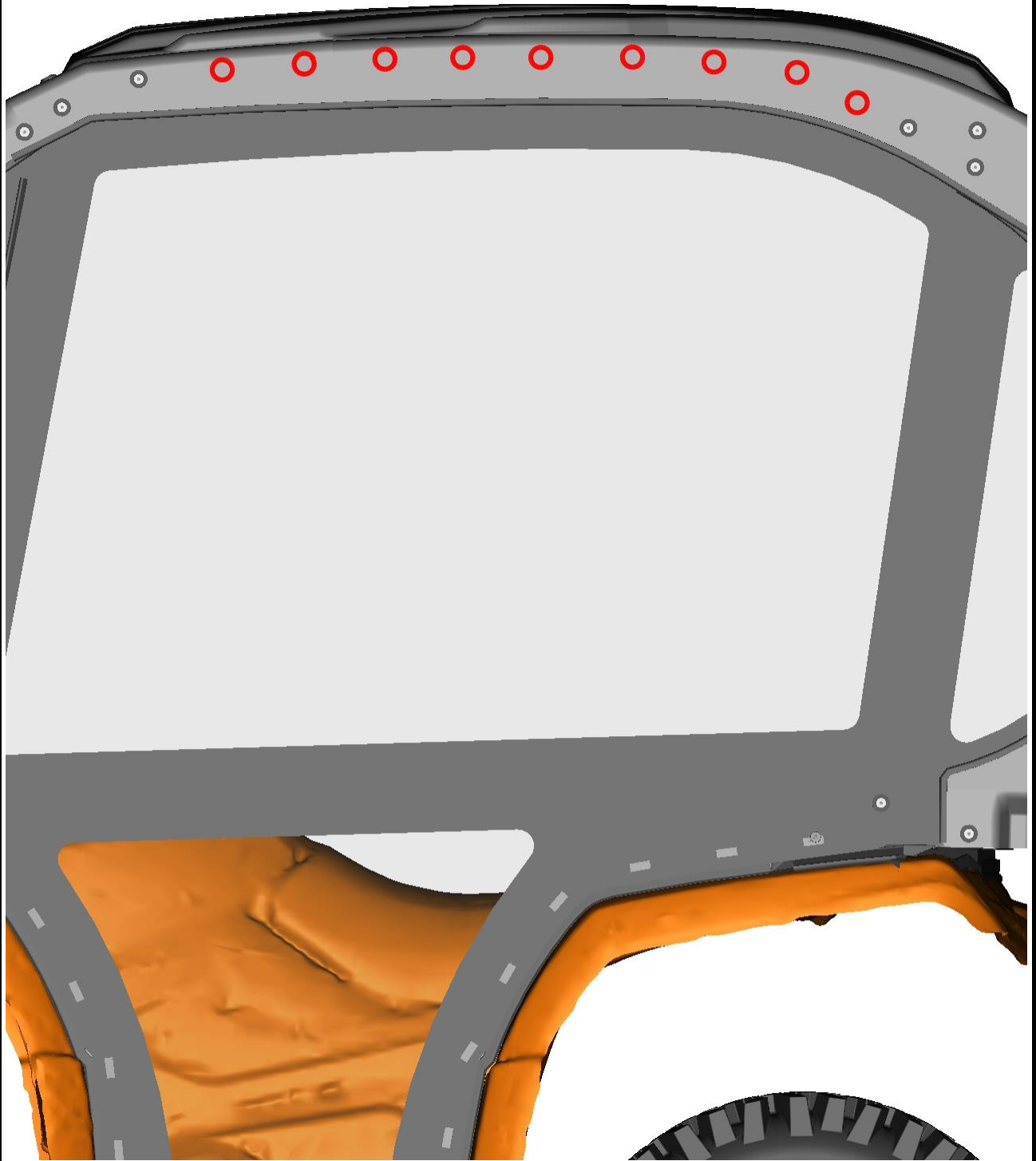


56

Adjust the PVC parts to the best position and tighten screws and nuts correctly.

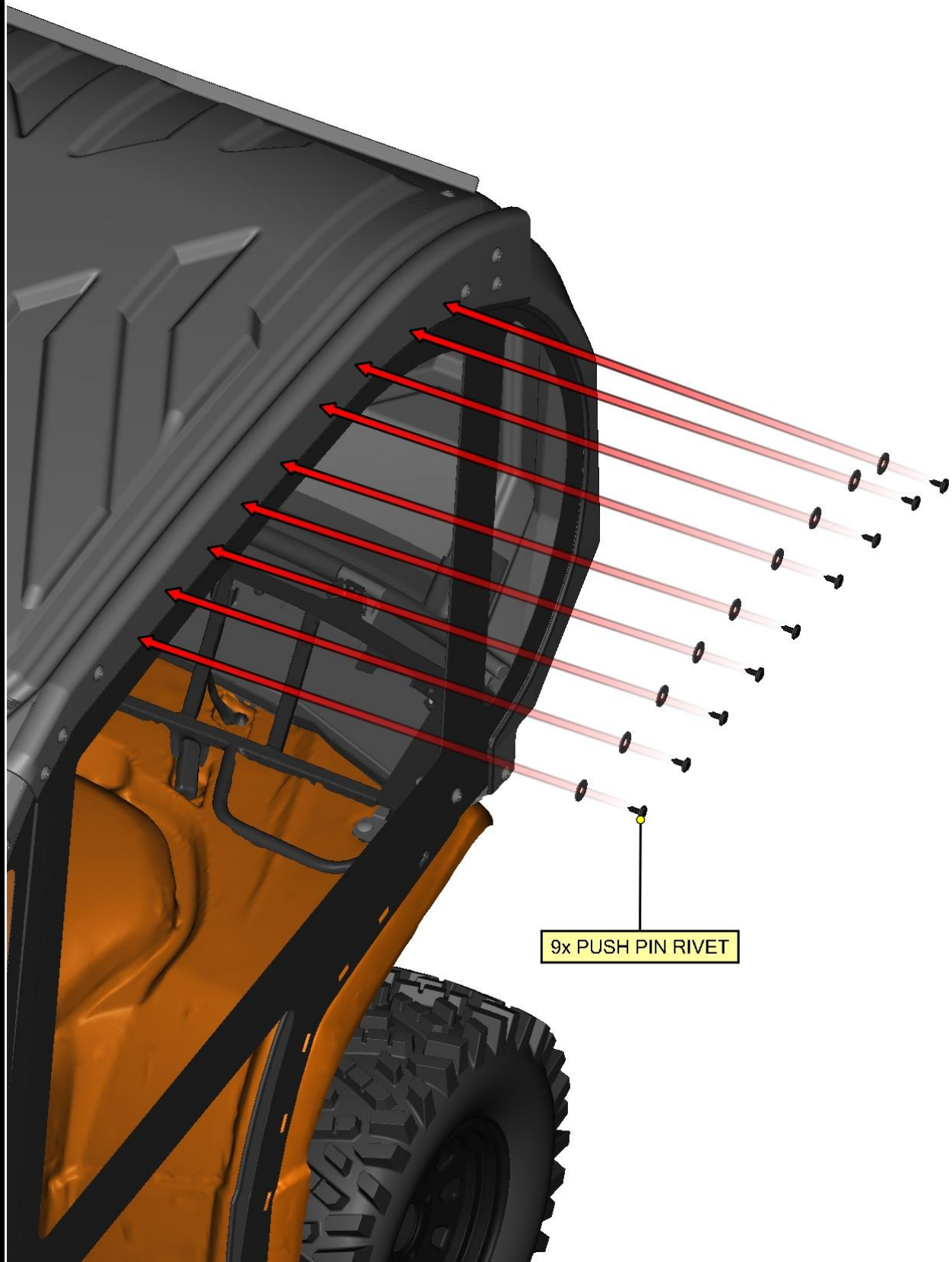
Repeat previous steps on the second side.

It is recommended to secure upper self-glued velcro by plastic rivet assemblies. Drill 9 holes \varnothing 9mm (red circles) into the roof and through the Velcro.



57

Place the included washers from inner side and fix the roof with the velcro by the plastic rivets and washers.



58

ELECTRO-INSTALLATION 2.

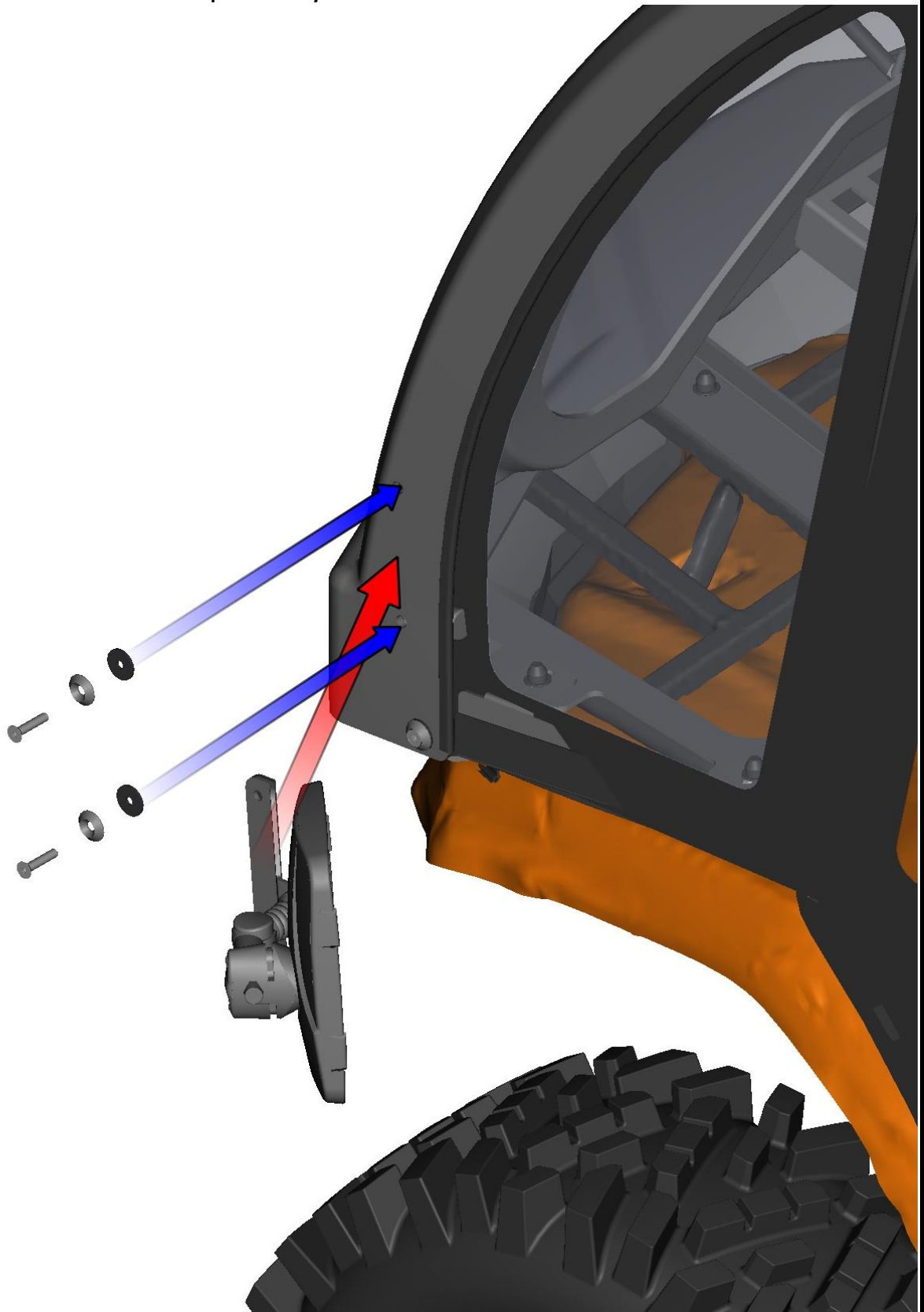
Connect the wiper/washer harness with the wiper. Connect the window defrost harness with the front window connector on both sides. Connect the window defrost harness with the defrost switch and insert the switch into the holder.



Connect the washer hose to the washer tube.

Fill the washer liquid into the washer tank before first usage.

Place the side mirror with the holder to the front panel. Fix the holder with the panel by included screws and washers.



60

Repeat previous steps on the second side.
Tighten all screws and nuts, which you installed.



61

INSTRUCTIONS FOR USER

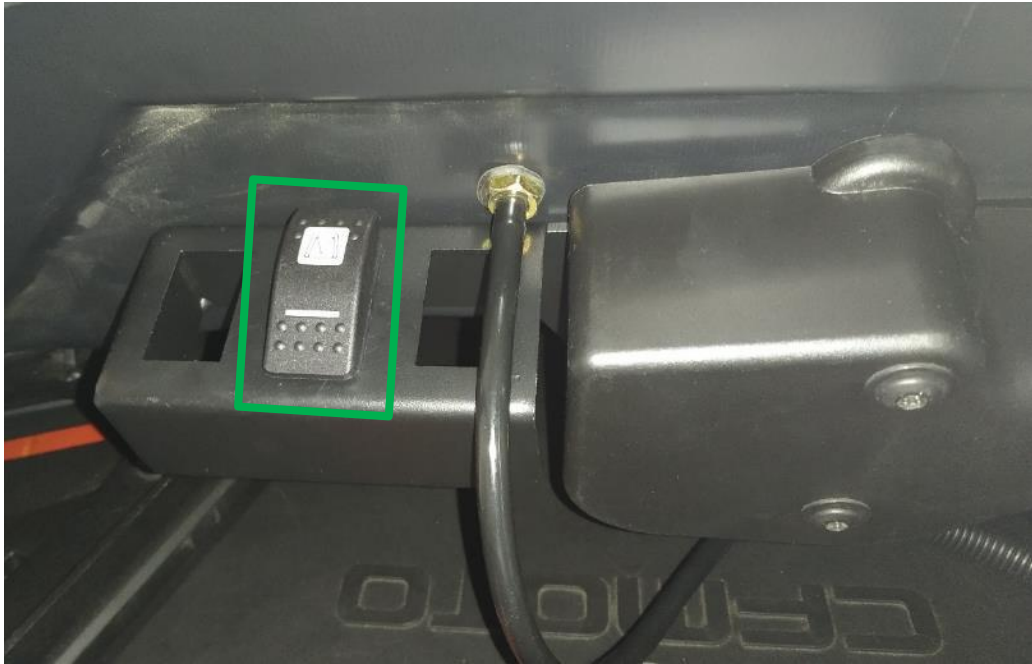
Wiper/washer system is controlled by switch on left handlebar (on picture below). Switch first position starts wiper, second position (with spring) starts washer.



62

SEE NEXT PAGES

Front window defrost system is controlled by **switch** near wiper motor.



**WHEN YOUR FRONT WINDOW IS DEFROSTED COMPLETELY,
TURN OFF THE DEFROST SYSTEM MANUALLY,
PRESS THE SWITCH TO THE “ZERO” POSITION.**

**It is strongly recommended to not use window defrost and vehicle
winch simultaneously.**

63

Before every ride, check out side mirrors adjustment. Side mirrors has to be adjusted to focus on driver critical view angles.



64

BOLT TORQUE

BOLT TORQUE SPECIFICATIONS

GENERAL TORQUE SPECIFICATION TABLE

Use the following torques when special torques are not given. These values apply to fasteners as received from suppliers, dry, or when lubricated with normal engine oil. They do not apply if special graphited or moly disulphide greases or other extreme pressure lubricants are used. This applies to both UNF and UNC threads. Remember to always use grade five or better when replacing bolts.

IMPORTANT: On all PLATED GRADE 8 bolts, reduce torque 15% from listed bolt torque specification.

SAE Grade No.		2				5				8*			
Bolt head identification mark as per grade. NOTE: Manufacturing Marks Will Vary													
		TORQUE		TORQUE		TORQUE		TORQUE		TORQUE		TORQUE	
Bolt Size		Pounds Feet		Newton-Meters		Pounds Feet		Newton-Meters		Pounds Feet		Newton-Meters	
Inches	Millimeters	Min.	Max.	Min.	Max.	Min.	Max.	Min.	Max.	Min.	Max.	Min.	Max.
1/4	6.35	5	6	7	8	9	11	12	15	12	15	16	20
5/16	7.94	10	12	14	16	17	20.5	23	28	24	29	33	39
3/8	9.53	20	23	27	31	35	42	48	57	45	54	61	73
7/16	11.11	30	35	41	47	54	64	73	87	70	84	95	114
1/2	12.70	45	52	61	70	80	96	109	130	110	132	149	179
9/16	14.29	65	75	88	102	110	132	149	179	160	192	217	260
5/8	15.88	95	105	129	142	150	180	203	244	220	264	298	358
3/4	19.05	150	185	203	251	270	324	366	439	380	456	515	618
7/8	22.23	160	200	217	271	400	480	542	651	600	720	814	976
1	25.40	250	300	339	406	580	696	787	944	900	1080	1220	1464
1-1/8	25.58	-	-	-	-	800	880	1085	1193	1280	1440	1736	1953
1-1/4	31.75	-	-	-	-	1120	1240	1519	1681	1820	2000	2468	2712
1-3/8	34.93	-	-	-	-	1460	1680	1980	2278	2380	2720	3227	3688
1-1/2	38.10	-	-	-	-	1940	2200	2631	2983	3160	3560	4285	4827

*Thick Nuts must be used with Grade 8 bolts

METRIC BOLT TORQUE SPECIFICATIONS

Size of Screw	Property Class	Course Thread			Fine Thread		
		Pitch (mm)	Pounds Feet	Newton-Meters	Pitch (mm)	Pounds Feet	Newton-Meters
M6	5.6	1.0	3.6-5.8	4.9-7.9	-	-	-
	8.8		5.8-9.4	7.9-12.7		-	-
	10.9		7.2-10	9.8-13.6		-	-
M8	5.6	1.25	7.2-14	9.8-19	1.0	12-17	16.3-23
	8.8		17-22	23-29.8		19-27	25.7-36.6
	10.9		20-26	27.1-35.2		22-31	29.8-42
M10	5.6	1.5	20-25	27.1-33.9	1.25	20-29	27.1-39.3
	8.8		34-40	46.1-54.2		35-47	47.4-63.7
	10.9		38-46	51.5-62.3		40-52	54.2-70.5
M12	5.6	1.75	28-34	37.9-46.1	1.25	31-41	42-55.6
	8.8		51-59	69.1-79.9		55-68	75.9-92.1
	10.9		57-66	77.2-89.4		62-75	84-101.6
M14	5.6	2.0	49-56	66.4-75.9	1.5	52-64	70.5-86.7
	8.8		81-93	109.8-126		90-106	122-143.6
	10.9		96-109	130.1-147.7		107-124	145-168
M16	5.6	2.0	67-77	90.8-104.3	1.5	69-83	93.6-112.5
	8.8		116-130	157.2-176.2		120-138	162.6-187
	10.9		129-145	174.8-196.5		140-158	189.7-214.1
M18	5.6	2.0	88-100	119.2-136	1.5	100-117	136-158.5
	8.8		150-168	203.3-227.6		177-199	239.8-269.6
	10.9		175-194	237.1-262.9		202-231	273.7-313
M20	5.6	2.5	108-130	146.3-176.2	1.5	132-150	178.9-203.3
	8.8		186-205	252-277.8		206-242	279.1-327.9
	10.9		213-249	288.6-337.4		246-289	333.3-391.6



Declaration of conformity



DFK Cab, s.r.o.

Za Olšávkou 391

686 01 Uherské Hradiště

Česká republika / Czech Republic