



ACCESSORY SETUP INSTRUCTION

REAR RACK EXTENDER ASSEMBLY -- PN 9DS#-802200-6000

VALID FOR: MY2020 and Newer CFORCE 600 / 625 & CFORCE 600 TOURING / 625 TOURING


BEFORE YOU BEGIN: Read and understand the instructions before starting any work. Make sure that all parts are ready and that you have all the tools required for assembly.


NOTE: CFMOTO shall not be liable for any damage caused by incorrect assembly. CFMOTO recommends that all original accessories be assembled by an authorized CFMOTO dealer.

Before assembly, park the vehicle on a flat surface, put the transmission gear into Park (P) and turn off the key switch.

Zhejiang CFMOTO Power Co., Ltd. All rights reserved. Reproduction of this document, even in part, as well as copying of all kinds, is permitted only with the express written permission of the copyright owner.

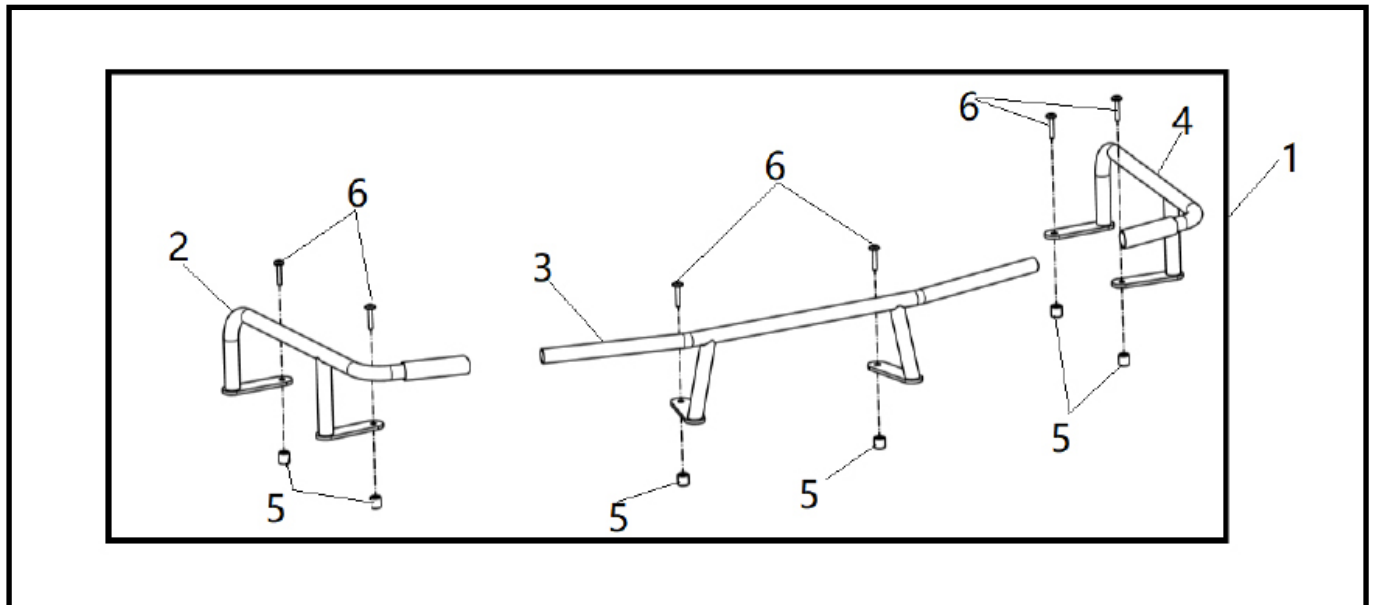
MEANING OF SYMBOLS

 - Indicates information with more details or tips.

 - Indicates information of warning or danger.

PARTS LIST:

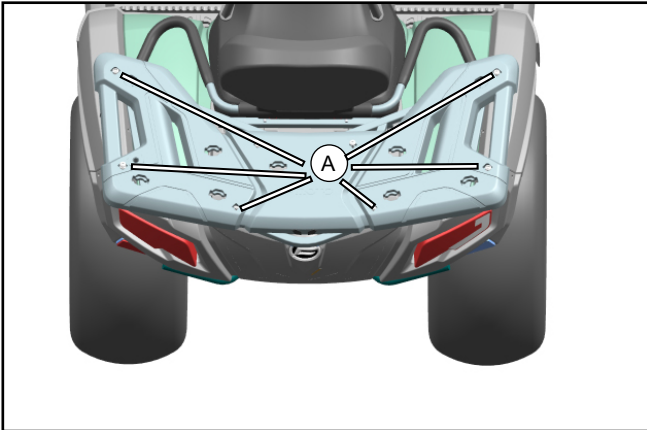
S/N	PART NAME	PART NUMBER	QTY.	REMARK
1	REAR RACK EXTENDER ASSEMBLY	9DS#-802200-6000	1	
2	LH RAIL ASSY	9DS#-802220-6000	1	
3	MIDDLE RAIL ASSY	9DS#-802230-6000	1	
4	RH RAIL ASSY	9DS#-802240-6000	1	
5	BUSHING	9DS#-802200-6000-20	6	
6	INNER HEX SCREW M6×35	9DS#-802200-6000-21	6	



TOOL LIST:

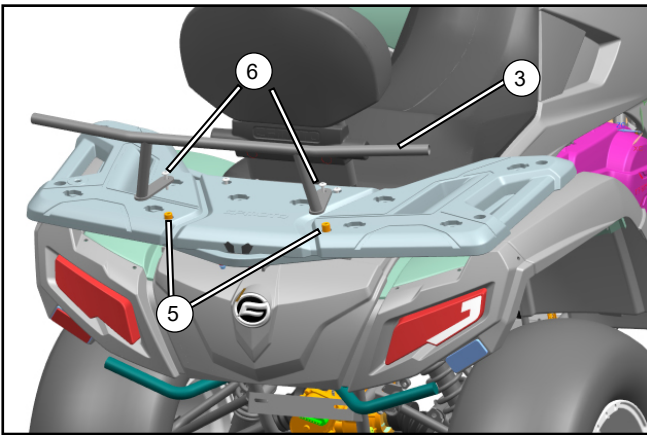
ITEM	DESCRIPTION	QTY.	REMARK
1	PROTECTIVE GLOVES	1	Recommended Tools
2	4mm ALLEN WRENCH	1	

步骤



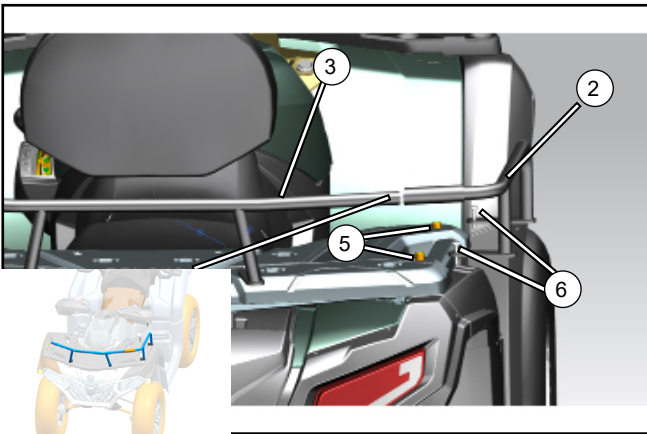
// Remove inner hex screws (A).

i Removed hex screws will not be re-used and can be discarded.



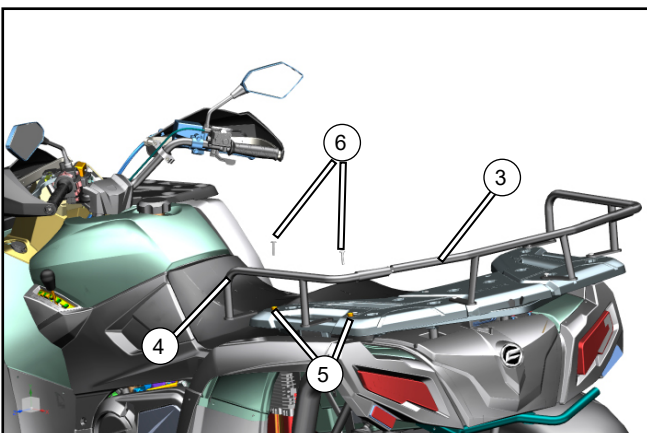
// Insert bushings (5).

// Place the middle rail (3) over the mounting holes, then insert the M6x35 screws (6). Pre-tighten only. Do not fully tighten.



// Insert bushings (5).

// Connect middle rail (3) and left rail (2) and align the mounting holes, then insert the M6x35 screws (6). Pre-tighten only. Do not fully tighten.



// Insert bushings (5).

// Connect middle rail (3) and right rail (4) and align the mounting holes, then insert the M6x35 screws (6). Pre-tighten only. Do not fully tighten.

// To complete the installation, tighten all the screws in a crossing sequence to the specified torque value.

INNER HEX SCREW	M6×35	9DS#-802200-6000-21	8-12N.m
-----------------	-------	---------------------	---------