

# Standard Model

The flexible banding machine

- › *Fast and accurate*
- › *Easy to operate*
- › *Robust and reliable*
- › *Sustainability benefits*

Multi-Width option -  
interchangeable  
band widths



The Bandall Standard Model is the tried and trusted basis for our wide ranging, high tech fleet of industrial banding equipment. A staple in the world of bundling and packaging that continues to innovate and support you in adapting to your customers' needs.

Designed for reliability and longevity, and to use minimum packaging, it is altogether a sustainable choice with a fast ROI.

## Bandall offers:

- › **Consistently fast and reliable banding** made possible by the Bandall advanced vacuum transport technique
- › **Significant reductions in packaging** using the finest paper and film banding available
- › Guaranteed **product-friendly banding** creates stable bundles for transportation
- › The **hygienic Ultra Clean Seal (UCS) system** features in all Bandall equipment
- › **More and more savings** - low energy consumption and minimal maintenance - simply the banding machine with the lowest cost of ownership
- › The **optional Multi-Width facility**, multiple band widths with each banding unit

## Multi-functional banding

Bandall equipment processes a vast range of banding papers and films, from super fine to robust, as needed. Standard band widths are 28 mm, 40 mm, 48 mm, 60 mm, 75 mm, 100 mm and 125 mm. Alternative band widths are available upon request and multiple band widths per machine are optional.

The Bandall range includes options such as Stainless Steel, positioning of pre-printed banding, fully automatic solutions for seamless inline integration with, for example, counting and stacking, multiple and cross banding, Print & Band for variable data, and much more.



# Solid performance

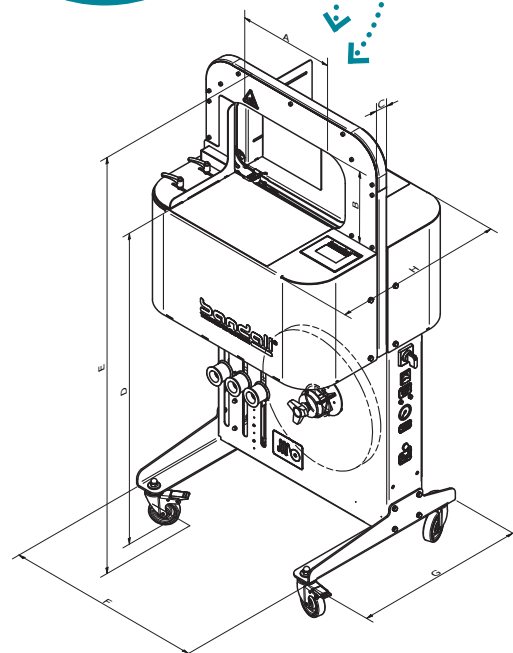
Bandall banding systems are built for simple and efficient operation. Recent developments include advances within the machine to further improve accessibility and reduce the number of consumable parts to almost zero. Confidently, the lowest cost of ownership.



**OPTION:**  
Easy click system  
available to change  
the band width

## The Standard Model offers:

- › **Easy implementation** into your production facility, simply wheel into place
- › **Automatic operation** via a sensor or manual via touchscreen or foot switch
- › Access to settings via a **touchscreen with pictograms**, no language skills required
- › **Operation from both sides**
- › Process **standard band widths**: 28 mm, 40 mm, 48 mm, 60 mm, 75 mm, 100 mm and 125 mm. **Alternative band widths** upon request
- › **Adjustable** product positioning plates
- › **Castors with brakes**
- › Easy and accurate **selection of band tension**
- › **Options** such as positioning, variable data printing, bundle press, Multi-Width banding
- › A wide selection of **fully automatic models and bespoke solutions**
- › Expert sales and technical **support**



MACHINE TYPE	A Max. prod. width	B Max. prod. height	C Channel width	D Work height	E Total height	F Width	G Base depth	H* Depth	Weight KG	Bundles/ min.
BA24/15-30	240	150	30	956	1214	600	494	496	70	36
BA32/20-30	320	200	30	956	1264	600	494	496	70	34
BA40/25-30	400	250	30	956	1314	760	494	496	85	32
BA48/30-30	480	300	30	956	1364	760	494	496	85	30

Sizes in mm.  
 \* With a channel width of 50 mm, H is 520 mm. With a channel width of 77 mm, H is 547 mm.  
 With a channel width of 102 mm, H is 572 mm. With a channel width of 127mm, H is 597 mm.  
 127 mm is available only for the BA24 and BA32.

<b>Voltage</b>	230V*
<b>Frequency</b>	50 HZ/60HZ
<b>Required air pressure</b>	Min 6 bar, max 10 bar
<b>Air consumption</b>	max. 60 L/min.
<b>Power</b>	500 watt

\* Option: 100V, 115V and 200V.



EE.OE



# Branding by Banding Model

## Design meets sustainability

- › High performance labelling
- › Printed banding displays your product to its best
- › Brand, label, seal and tell your story
- › State-of-the-art positioning technology
- › Reduce packaging volumes with sustainable banding

All Bandall equipment is of pure Dutch design, engineering and manufacture. Our Branding by Banding Model is durable, industrial banding equipment, from flexible stand-alone mobile units to fully automatic and in-line bespoke solutions. Often replacing excessive or complex packaging, banding is a sustainable option. Materials include FSC certified paper and 100% recyclable film.

Brand, label, seal and tell your story as you like it



### Branding by Banding Model:

- › All your **branding, product details and storytelling** on a single neat band
- › Rapid and reliable processing with **high-tech band transport technology**
- › One machine processes a **wide selection of materials**
- › **Consistent accurate positioning** on each and every product
- › Unique **UCS (Ultra Clean Seal) system** guarantees a hygienic and safe seal
- › Low energy, maintenance and operational costs - Bandall continues to guarantee **the lowest cost of ownership**

Multiple band widths with one machine

Print unlimited variable data during application



# 100% precision banding

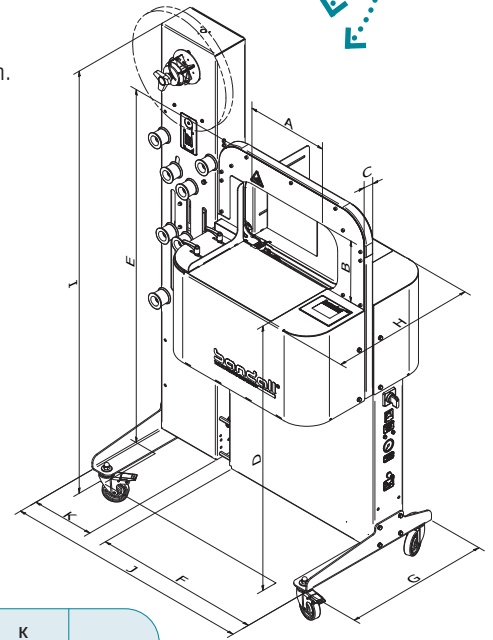
The Branding by Banding Model performs with outstanding precision and reliability. The high-tech band transport system guarantees rapid band transport around the arch and consistently accurate application.



**OPTION:**  
Easy click system available to change the band width

Bandall systems are designed for user-friendly, durable and efficient operation. The Branding by Banding Model includes:

- › A **touch screen control** panel with symbols – language free
- › Activation of the banding cycle via a **product sensor, touchscreen or a foot switch**
- › **Operation from both sides** of the machine
- › A choice of **standard band widths**: 28, 40, 48, 60, 75, 100 and 125 mm. Alternative band widths upon request
- › **Adjustable** product positioning plates
- › **Precision tension adjustment**
- › **Mobile machine**, on castors with brakes
- › **Options** such as multiple band widths, thermal transfer printer, bundle press
- › A wide selection of **fully automatic models** and bespoke solutions



MACHINE TYPE	A Max. prod. width	B Max. prod. height	C Channel width	D Work height	E Height	F Width	G Base depth	H* Depth	I Total height	J** Total width	K Width of external reetholder	Cycles/ min. ***
BA24/15-30	240	150	30	955	1220	600	500	500	1505	840	220	36
BA32/20-30	320	200	30	955	1270	600	500	500	1505	840	220	34
BA40/25-30	400	250	30	955	1320	760	500	500	1505	1075	280	32
BA48/30-30	480	300	30	955	1370	760	500	500	1505	1075	280	30

Sizes in mm.

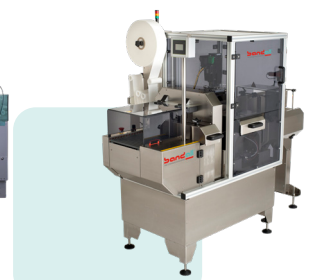
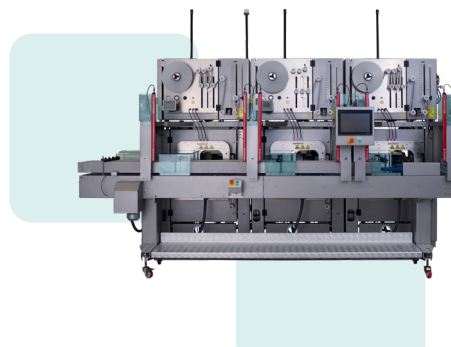
\* With a channel width of 50 mm, H is 520 mm. With a channel width of 77 mm, H is 547 mm. With a channel width of 102 mm, H is 572 mm. With a channel width of 127 mm, H is 597 mm.

\*\* With a positioning system fitted, J is 130 mm wider.

\*\*\* With positioned bands the capacity is about 18 to 20 bands per minute, dependent upon the product to be banded.

<b>Voltage</b>	230V*
<b>Frequency</b>	50 HZ/60HZ
<b>Required air pressure</b>	Min 6 bar, max 10 bar
<b>Air consumption</b>	max. 60 L./min.
<b>Power</b>	500 watt

\* Option: 100V, 115V and 200V.



EE&OE



# TXL Series Fully automatic and accurate banding

*The Bandall TXL Series differs from other Bandall Series by having conveyor belts both above and below the product to be banded, gripping the product gently but firmly.*

This makes the machine extremely suitable for the fast and accurate transportation and banding of, for example, punnets, boxes and trays. Often used for biscuits, frozen products, salads and ready meals. Or perhaps for tamper evident packaging of say electronics, automotive parts, etc.



Fully automatic and speedy banding? Allow us to demonstrate what Bandall banding can do for you and your product

## Immediate benefits

- › **Designed especially for swift banding** of products with flat top and bottom surfaces
- › **Rapid transport and banding process** in one straight line
- › **Several bands per product optional**
- › **Simple and fast conversion to another product**
- › The position of the product in the arch is variable, allowing **choice of band positions on the products**
- › **Smooth transition from existing transport system** or from an optional infeed conveyor

The TXL Series is extremely suitable for punnets, boxes and trays. Often used for biscuits, salades or ready meals





# Bundled Benefits

- › *Fast and consistently accurate*
- › *Reliable*
- › *Tamper evident packaging*
- › *User friendly*
- › *Environmentally friendly*
- › *Quick return on investment*

## Combine Bandall TXL bands with printing options

The TXL-Series can be fitted with various types of printers to print product information on your pre-printed band during the banding process. Such as batch numbers, barcodes, shelf life information, nutritional values, etc.

- › **Data printing in multiple positions** on a pre-printed band
- › **Print area on the band is unlimited**
- › **Printing does not affect the speed** of the banding process
- › Operating the printer is **very straightforward**

Considerable savings on packaging materials!



Pre-printed bands allow for extra product information and product branding, and subsequently extra shelf appeal (Branding by Banding)



## How does the Bandall TXL Series work?

The product to be banded is transferred from an existing conveyor system connected to the TXL. Or via an optional driven conveyor. The heart of the installation is a fully automatic Bandall banding unit. The product is automatically transferred by the Servo-driven in-feed and conveyor system.

## Conveyor belts "sandwich"

This system consists of two parts: An upper and lower conveyor belt system. These belts are driven by separate Servo motors, and are synchronized by one common controller. The product to be banded is transported between these two conveyors into the banding arch.

## Smart detection optimises process and energy use

Once the product has been transported into the arch the conveyors stop and the product is banded. After banding the out-feed conveyor starts and the product is transported forwards via the driven rollers. The TXL can also exchange signals with installations before and after in line. The output is faster than the input. As a result space is created between the banded product and the next product.

- › *Very reliable with long life cycle*
- › *Suitable for demanding production environments*
- › *Very swift and energy-efficient*



The product to be banded can be transferred from an existing conveyor system or from an optional conveyor



The TXL-Series can be fitted with various types of printers to print variable product information

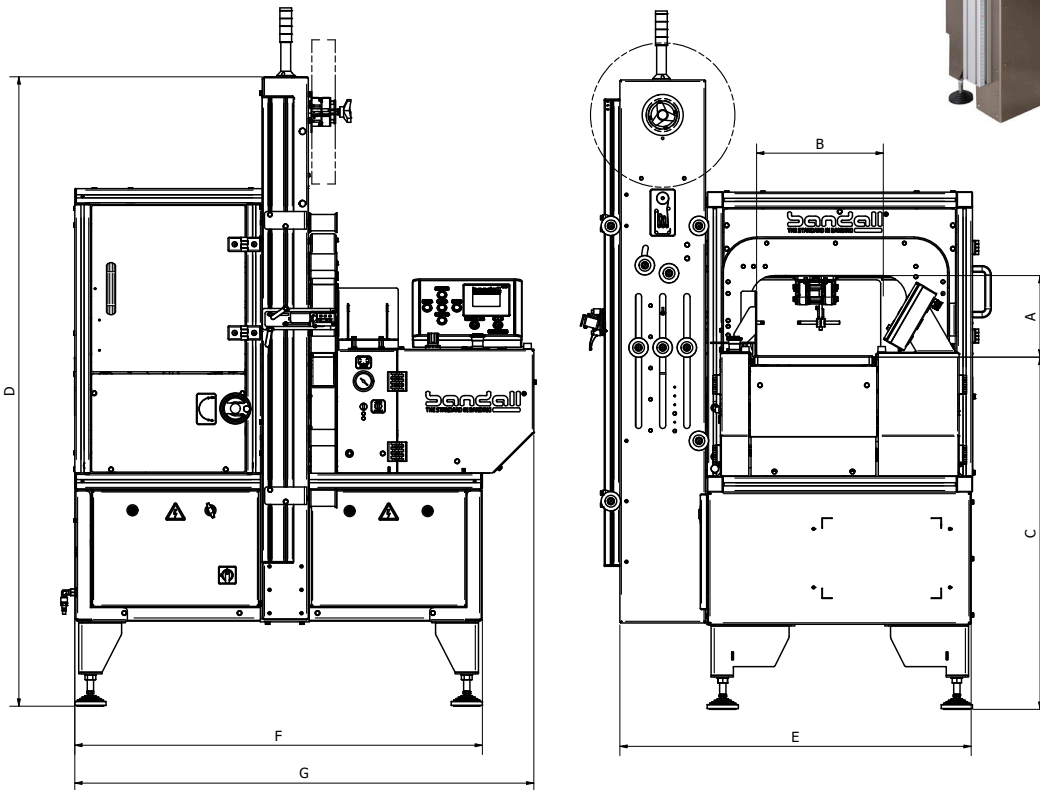
The Bandall TXL Series is developed based on the advanced vacuum feed system, which is implemented in all Bandall equipment. Bandall machines are unique in processing material from just 35 micron.

# The standard in fully automatic banding

## Bandall TXL-Series features

- › **Fully adjustable** height and width of the conveyor belt system
- › Positioning guides are adjustable, fully independently of the conveyor systems, enabling **optimal and swift transport of the product into the banding unit**
- › **Fully adjustable belt tension**
- › **Energy saving technologies** thanks to product detection
- › **Simple language-free touch screen operation and control panel**
- › **Driven outfeed conveyor**
- › **The control is in an IP65 casing**
- › Standard coated steel, **optional SS304**

All TXL models are equipped with an External Reel Holder



MACHINE TYPE	A Max. prod. height	B Max. prod. width	C* Work height	D* Total height	E Width	F Base depth	G** Depth	*** Bundles/min.
TXL 240	150	240	900	1605	900	1040	1143	28
TXL 320	200	320	900	1605	900	1040	1143	28

Dimensions are in mm. At your request we will be happy to provide you with a specified proposal with complete technical specifications. Available in various standard arch sizes. Standard channel widths suitable for banding materials of 28mm, 40mm, 48mm, 60mm, 75mm and 100 mm wide.

\* Standard height can vary by -18 and +40 mm if required. Different heights are optional.

\*\* Where the channel width is 30mm G is 1143. Where the channel width is 50mm G is 1163. Where 77mm G is 1190 and where 102mm G is 1215.

\*\*\* Depending on the product.

E&OE



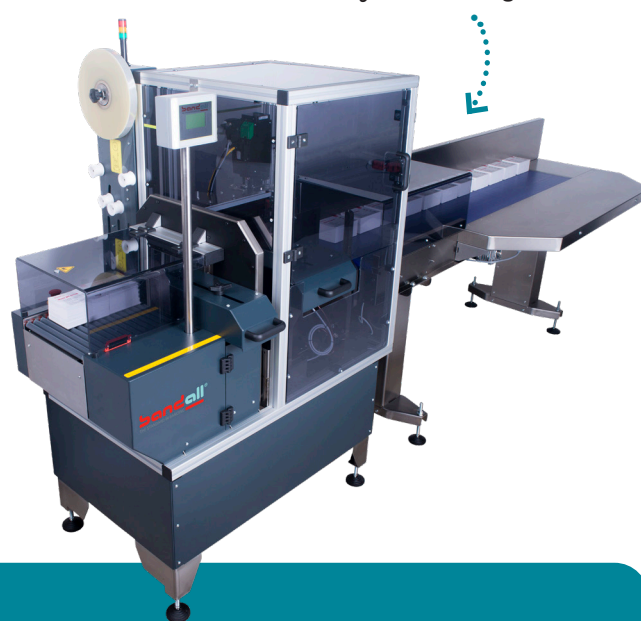
# TRL Series for fully automatic banding

*The Bandall TRL Series is a fully automatic banding and bundling installation where the products are transported into and out of the banding arch in a straight line.*

## Straight line convey-band-convey

The infeed and outfeed conveyors are parallel to each other and lead the products in one way through the banding arch. A double pusher system ensures accurate positioning of the products in the banding arch. The choice of a TRL model depends on the specifications particular to your processing situation.

This model for banding labels shows the infeed and outfeed conveyors in a straight line



The TRL model is easily integrated with various conveying systems



Modular construction and optional extras

## Some of the many benefits

- › **Fast bundling and banding process** (18 to 25 bands per minute)
- › **Easily integrated** into existing production lines
- › **Communication** with other systems in line
- › **Guaranteed Bandall quality**
- › **100% Dutch design**, engineering and manufacture
- › **User friendly** and extremely reliable
- › All models include the **band transport system** that is unique to Bandall equipment



# Full integration into fully automatic lines

A Stainless Steel conveyor is available in various lengths

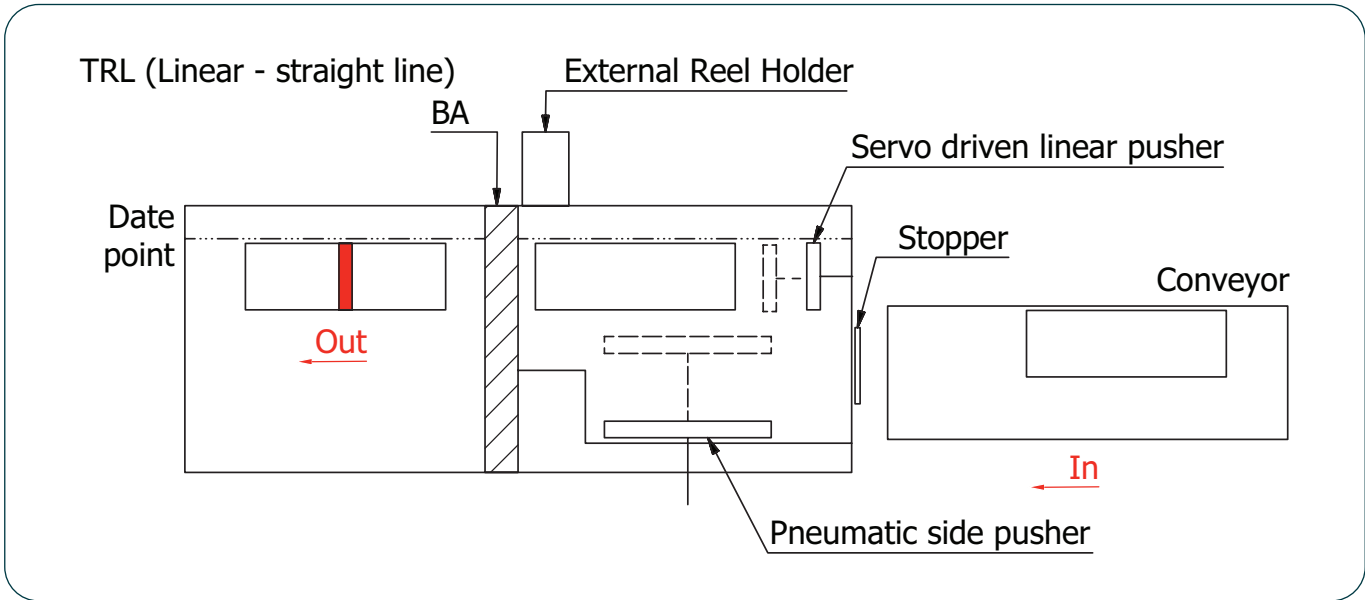


## The Bandall TRL Series consists of the following

- › Bandall banding unit
- › Pneumatic side pusher
- › Almost empty roll sensor
- › External Reel Holder
- › Band-in-arch-sensor
- › Signal exchange and signal lamp
- › Free-rolling roller outfeed conveyor
- › Infeed pusher with Servo motor, enabling easy programming
- › Polycarbonate protection cover
- › Adjustable feet are the standard option
- › Stopper between the external conveyor and the infeed conveyor to separate products where required
- › IP 65 control cabinet

Easily equipped with printers for variable product information, bar codes, serial numbers, etc.





### Options

- › Stainless Steel (including SS bearings)
- › Positioning system
- › Various infeed and outfeed conveyors, for example a 600 mm driven roller conveyor, or food grade conveyors
- › Easily equipped with printers to enable printing of variable product information, bar codes, serial numbers, while banding
- › Press
- › Mobile frame (including adjustable feet)

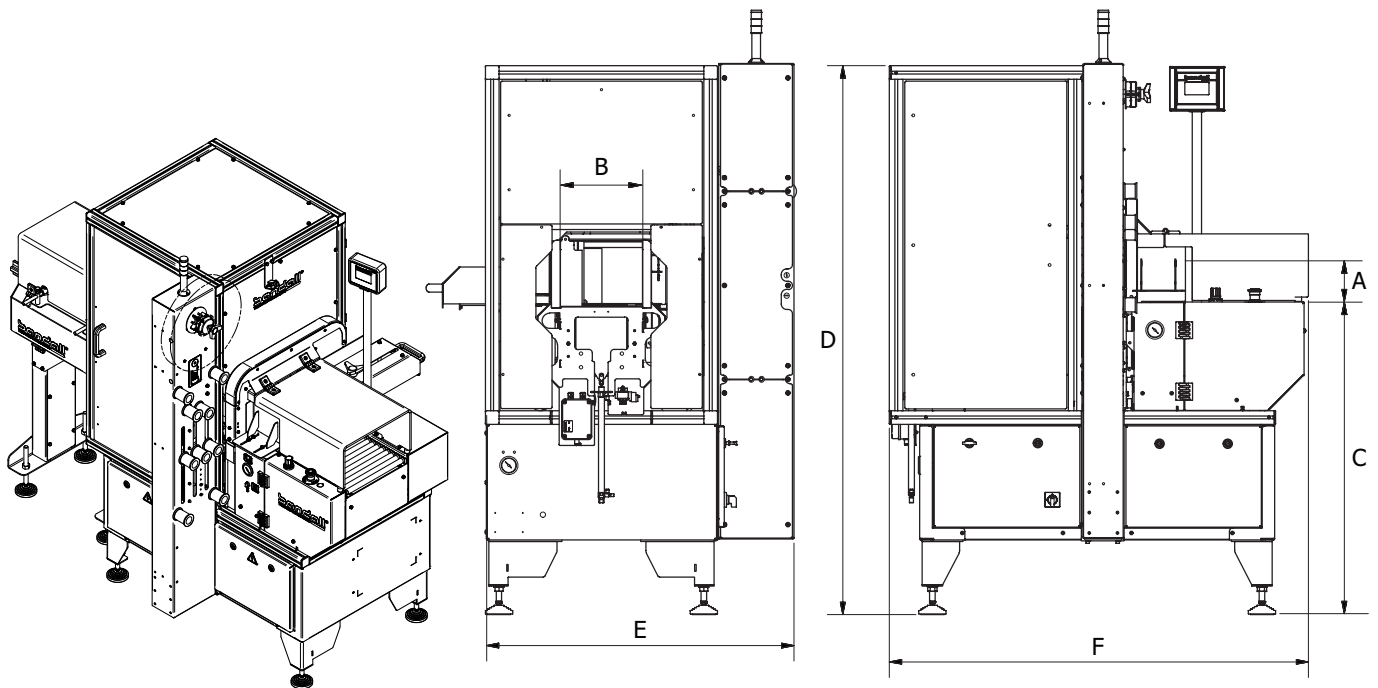
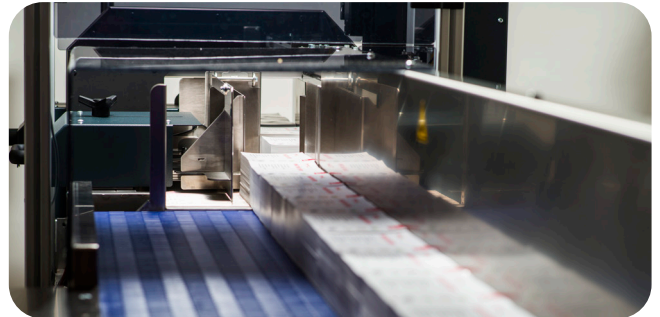
Various pushers enable perfect positioning

Optional low friction label infeed conveyor (for example for direct connection with the cutting machine)



# Suitable for use in many industries including

- › Food
- › Graphics
- › Health & Beauty
- › Logistics and Transport
- › Pharmaceutical



MACHINE TYPE	A Maximum product height	B Maximum product width	C* Standard working height	D* Total standard height	E Total standard width	F** Total length	*** Bundles/min.
TRL 240	150	230	900	1607	900	1227	25
TRL 400	200	385	900	1607	1100	1551	25

All measurements are in millimeters. Upon request we will be pleased to offer you our suggestions with technical specifications tailored to your requirements. Available in a wide range of arch sizes. The standard band channel widths process banding materials of 28, 40, 48, 60, 75 and 100 mm.

\* The standard height can be adjustable by -18 and +40 mm. Different heights are optional.

\*\* Dependent on band channel width. \*\*\* Dependent upon the product.

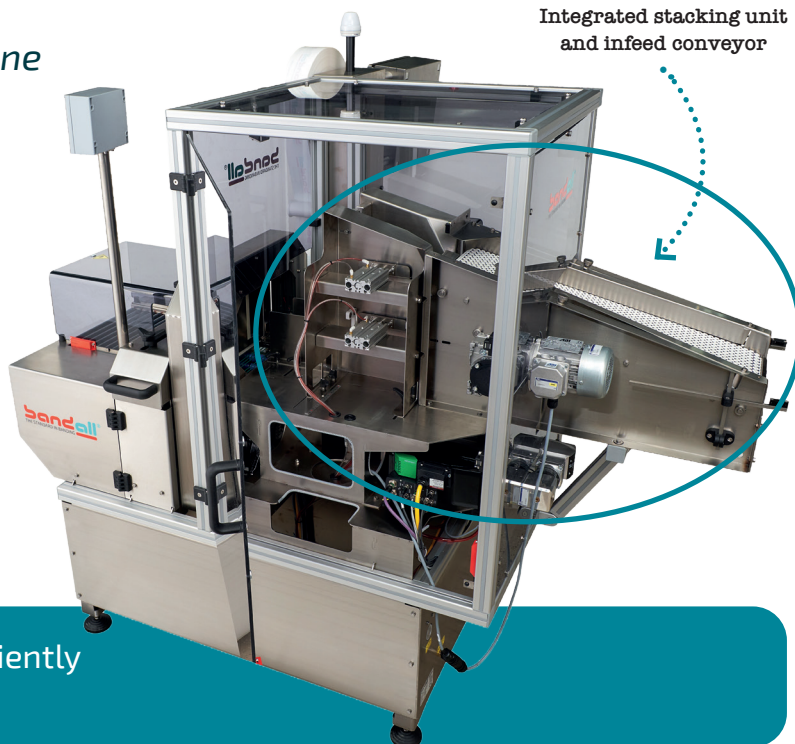
EE/OE



# TRL-ST Compact stacking and bundling machine

- › Stack and band with 1 machine
- › Adjustable to product sizes
- › Compact and flexible
- › Fast and budget-friendly

Integrated stacking unit and infeed conveyor



Especially ideal for fast stacking and bundling of flat products

Create multi-packs quickly and efficiently with minimal packaging material

The new Bandall TRL-ST is a compact, fully automatic stacking and bundling machine capable of stacking, bundling and banding different product types and sizes. Ideal for Retail Ready Packaging and promotional packaging such as special offers.

## Bundles of multiple products

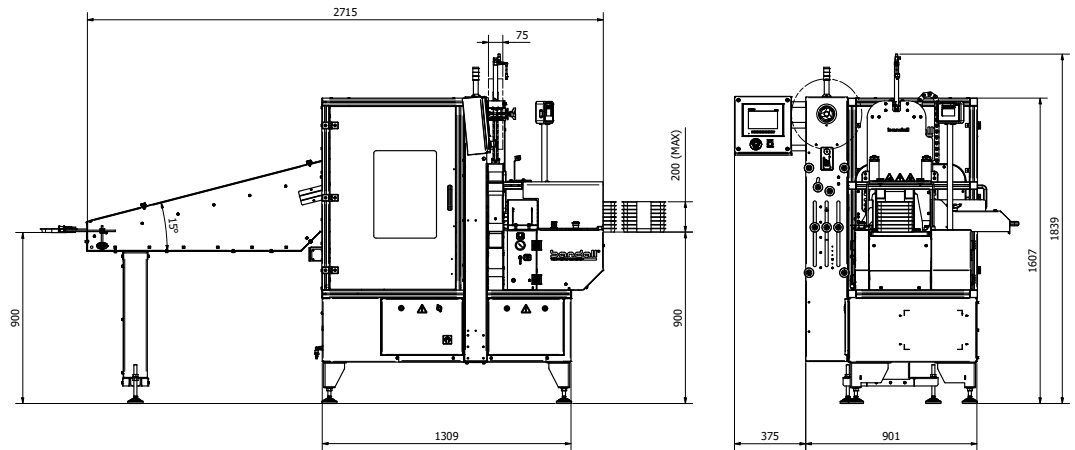
The TRL-ST features an integrated infeed conveyor which quickly and accurately guides the chosen number of products into a stacking pocket. The flexibility of the stacking pocket ensures a smooth and continuous banding process. A new stack is pushed into the banding arch by a servo pusher as soon as it is vacated by the last stack.

Striking promotional printed banding



# Budget-friendly and flexible

The Bandall TRL-ST is easily set to process a wide range of product dimensions. Consistently resulting in firmly bundled stacks of boxes, trays, flow packs, etc. This model is a versatile asset throughout industry.



## Standard model product sizes

For other sizes please enquire.

Product width	Product length	Bundle height
Adjustable from 130 to 200 mm*	Adjustable from 170 to 210 mm*	15 to 125 mm*

Machine width: 1325-1395 (depends on product width).  
All dimensions are in millimetres. Available in various arch sizes.  
The standard channel widths are suitable for 28, 40, 48, 60, 75 and 100 mm banding material.  
\* Other dimensions upon request.

## Direct benefits

- › Fully automatic infeed and outfeed
- › Huge reduction in packaging materials
- › No more outer cartons or shrink film required
- › Easy to adjust
- › Ideal for multi-packs

## Most important features

- › The adjustable stacking pocket enables processing of **different product sizes**
- › **Bundles** of 2, 3, 4, 5 or more products are possible
- › An **infeed speed of 125 products per minute** is possible
- › The **banding speed** is dependent on the number of products stacked
- › The machine is largely made of **SS 304**



Subject to changes



# TRC Series for fully automatic banding

*The Bandall TRC Series is a fully automatic banding and bundling installation where the products are transported into and out of the banding arch changing the direction at a 90 degree angle.*

## Accurate Servo driven technique

The product is transported by the internal conveyor to a fixed position. From this position a Servo driven pusher places the product in the banding arch. This is done at a 90 degree angle. Products such as labels, stacks of printed matter or paper, are immediately tidily squared.

The 90 degree angle in the TRC Series offers benefits in positioning



A Servo infeed pusher places the product in the banding arch

The infeed direction and type of product determine the choice for the Bandall TRC model

## Immediate benefits

- > A Servo driven pusher places the products precisely and at a **determinable speed** into the banding arch
- > The 90 degree angle also improves **stack neatness**
- > **Integration and communication** with other systems in line
- > **100% Dutch design**, engineering and manufacture
- > All models include the **band transport system** that is unique to Bandall equipment
- > **User friendly** and extremely reliable
- > **Fast bundling and banding process** (18 to 25 bands per minute)



# Easily integrated into existing fully automatic production lines



The right-angle enables re-orientation of the product from the infeed conveyor



A Stainless Steel conveyor is available in various lengths

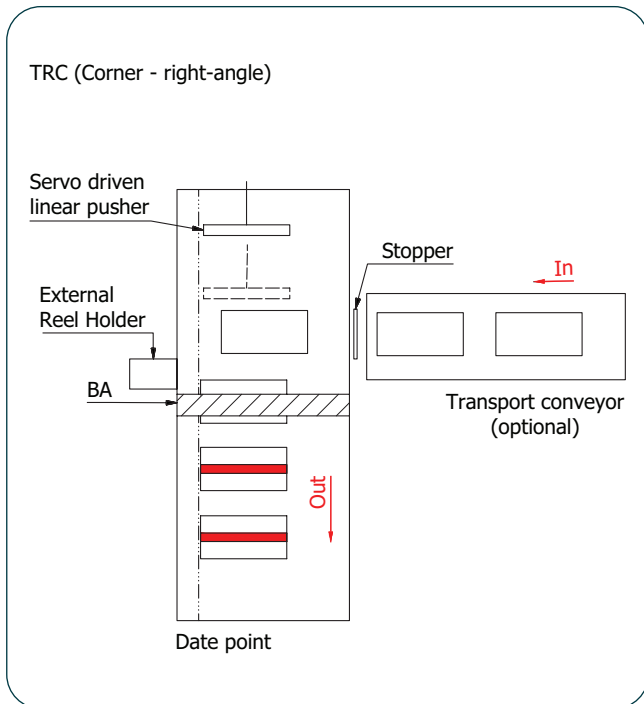
Easy to equip with printers for simultaneous printing of information onto the band

## The Bandall TRC Series consists of the following

- › Bandall banding unit
- › External Reel Holder
- › Signal exchange and signal lamp
- › Free-rolling roller outfeed conveyor
- › Servo motor meaning easy to programme
- › Almost empty roll sensor
- › Band in arch sensor
- › Polycarbonate protection cover
- › Adjustable feet are the standard option
- › Driven infeed conveyor
- › Pneumatic stopper
- › IP 65 control cabinet



Optional automatic measuring of product length enables randomly presented variable lengthed products to be banded without delay



*The choice of a TRC model is always entirely dependent upon the product to be banded, the orientation of the infeed and any additional requirements.*

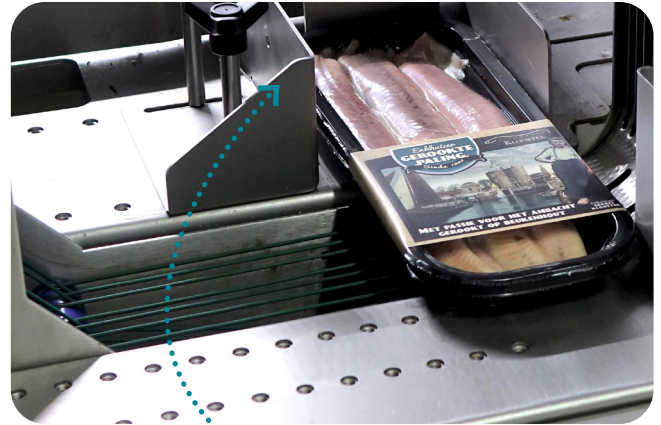
## Options

- › Stainless Steel (including SS bearings)
- › Positioning system
- › Various infeed and outfeed conveyors such as a 600 mm driven roller conveyor, or food grade conveyors
- › Easily equipped with printers to enable printing of variable product information, bar codes, serial numbers, while banding
- › Press
- › Mobile frame (including adjustable feet)
- › Optional automatic measuring of product length enables randomly presented variable lengthed products to be banded without delay

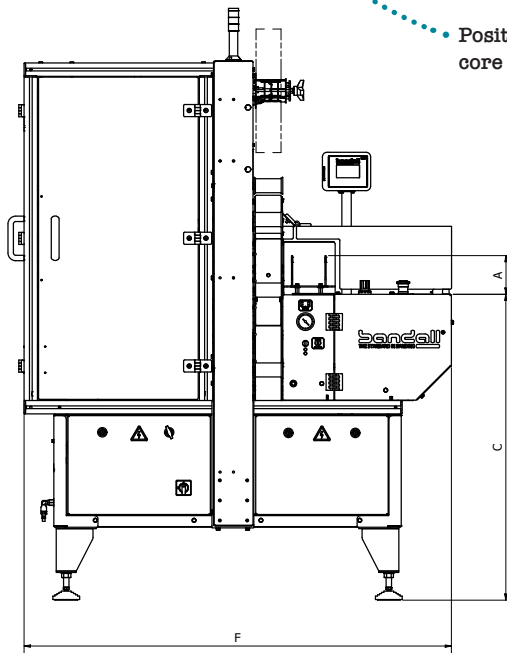
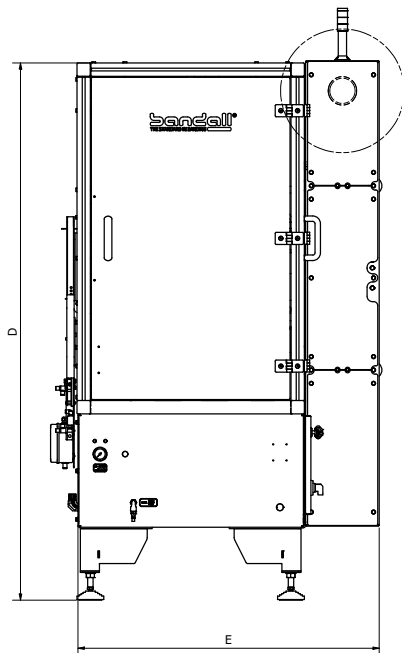


# Suitable for use in many industries including:

- › Food
- › Graphics
- › Health & Beauty
- › Logistics and Transport
- › Pharmaceutical



Positioning system at the core of the TRC



MACHINE TYPE	A maximum product height	B maximum product width	C* standard working height	D* total standard height	E Total standard width	F** total length	*** bundles/min.
TRC 320	150	310	900	1607	900	1227	25
TRC 480	250	470	900	1607	1100	1551	25

All measurements are in millimeters.  
 Upon request we will be pleased to offer you our suggestions with technical specifications tailored to your requirements. Available in a wide range of arch sizes.  
 The standard band channel widths process banding materials of 28, 40, 48, 60, 75 and 100 mm wide.  
 \*The standard height can be adjustable by -18 and +40 mm. Different heights are optional.

\*\* Dependent on band channel width.  
 \*\*\* Dependent upon the product.

EE/OE

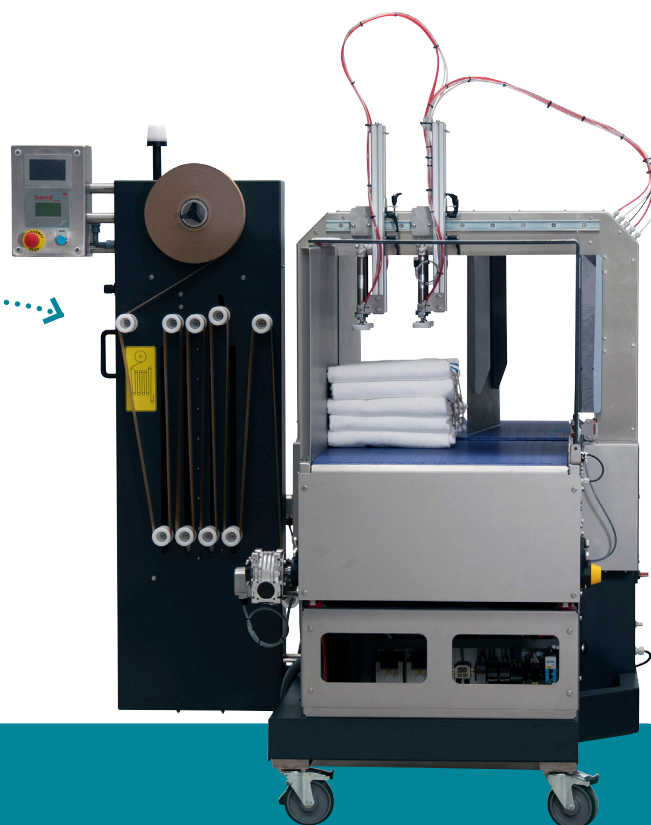


# TRB Series

- > *Reliable*
- > *Efficient*
- > *Damage-free*
- > *Flexible*

Ideal for Shelf Ready Packaging, stacks of laundry and more!

The Bandall TRB series conveys products into the banding arch using motorised conveyor belts. These conveyor belts can be low friction or high friction, depending on the type of product to be banded.



The TRB conveyor belts are available in various lengths and widths

## Fully automatic and budget-friendly banding

This equipment is ideal for easy and budget-friendly banding of trays, multi-packs or stacks of products. Sturdy, reliable and efficient, often used for products with a flat and rigid base.

## Product measuring system

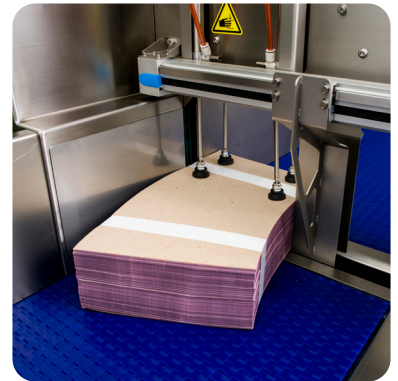
The TRBM machine measures the length of the products by default, so the band is always placed in the middle of the product. When using two bands, you can specify the distance between the band and the edges of the product. With products that vary in size, the machine automatically calculates where the bands should be placed.

The TRBKCM machine is perfect to band laundry and other textiles. The optional 'Kissing conveyor' bridges the gap in the banding arch to convey limp textile into the arch smoothly. After, the Kissing conveyor returns to its standard position. Side sealing is also possible to increase the band tension if needed.



# Easy to operate and to add to

*The Bandall TRB is a successful innovation based on the unique Bandall banding equipment. With a modular construction, the TRB can easily be extended with additional functions, such as presses and printers. The TRB is also available in stainless steel.*



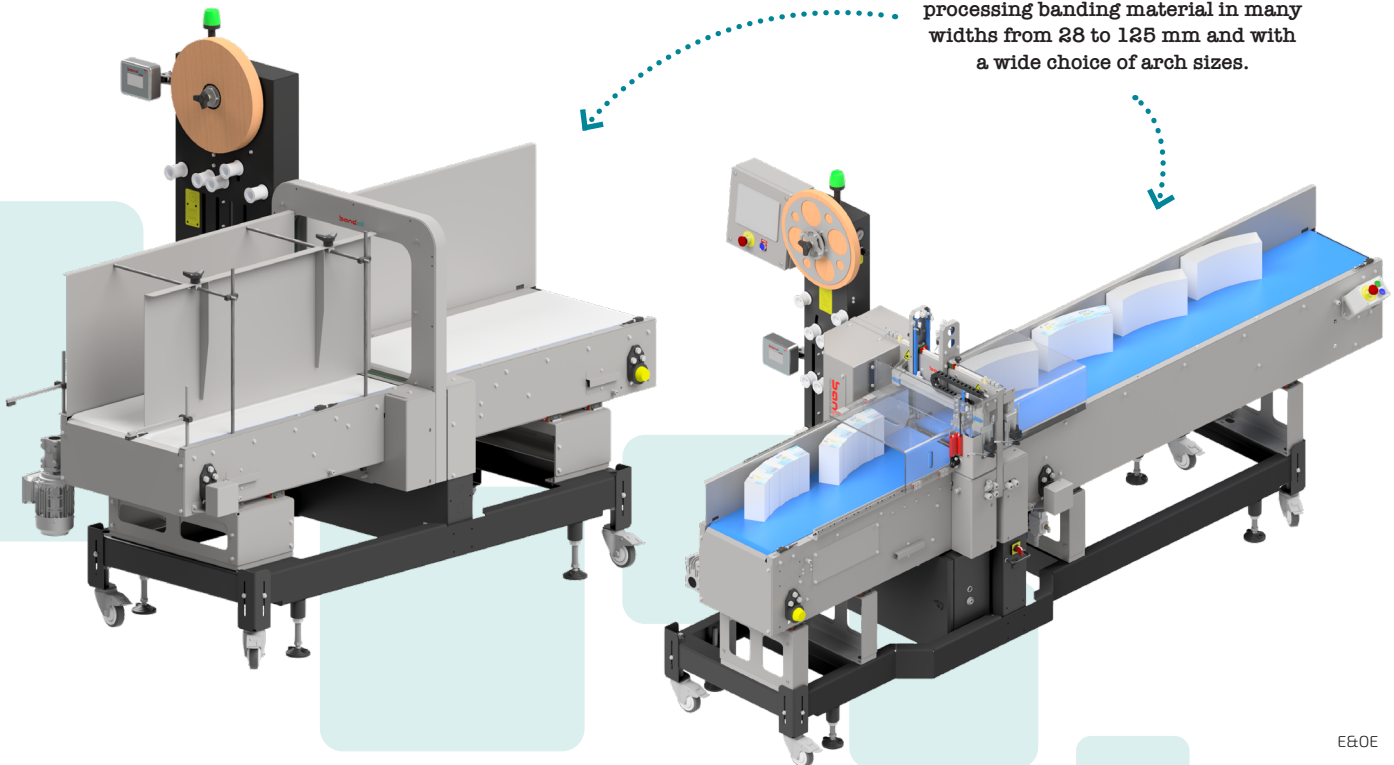
## Immediate benefits

- › **fully automatic** in and out feed
- › **immense savings** in packaging material
- › **taping, gluing and sealing** machines are often rendered redundant
- › **major savings** on energy costs
- › supplied with **multi connector** for signal exchange
- › **limited space** required
- › easily **adjustable** and **portable**

## Bandall TRB Series features

- › **ideal** for 'end of line' use
- › **fully adjustable** belt tension
- › **several bands** per product or tray possible
- › **lowest cost** of ownership

The TRB series is available for processing banding material in many widths from 28 to 125 mm and with a wide choice of arch sizes.



E&OE



# Bandall Modular Range

- › *Very flexible integration of the various modules*
- › *Easily interchangeable*
- › *The banding unit can be rotated, enabling side-sealing or top-sealing*
- › *Signal exchange with other systems in line*

Separate modules from the successful and globally used Bandall banding machines are widely utilised as modular solutions.

Banding units, control cabinets and External Reel Holders can be integrated into individual packaging lines as required and in consultation with the customer. Bandall provides accurate 3D drawings in order to facilitate the integration of the Bandall modular model by your engineers.



Bandall has supplied an extensive range of modular banding solutions worldwide. We are happy to discuss your requirements.

## Benefits

- › All modular solutions developed and installed can be supported by **Bandall's service and maintenance department**
- › **Complete integration** with various types of in-feed and out-feed conveyor systems
- › **Guaranteed high Bandall quality**
- › The banding unit can be simply added to with **a variety of options**
- › **100% Dutch design** and manufacture

Seamless integration,  
full signal exchange,  
streamline with the Bandall  
Modular Range



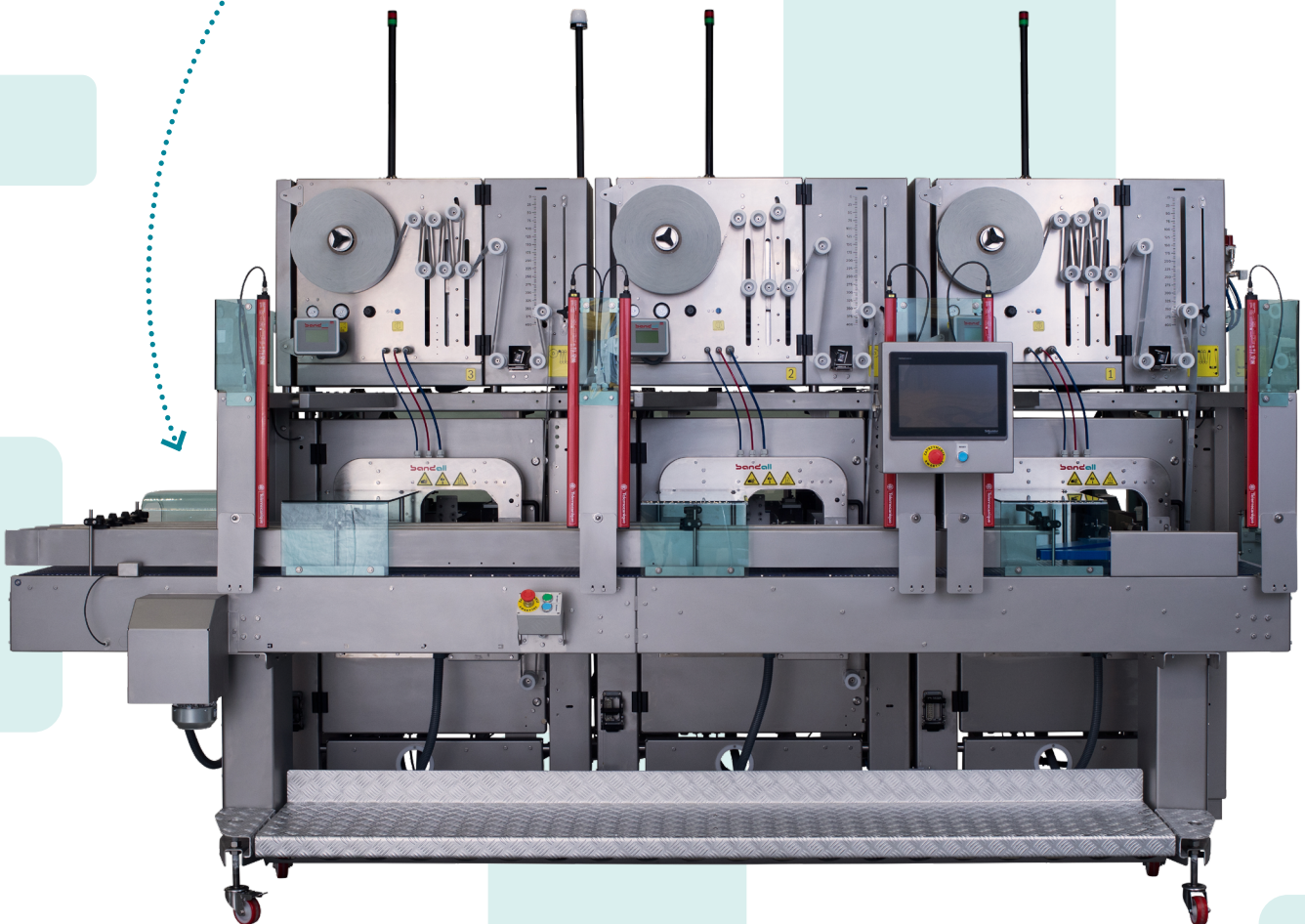
# Bundled Benefits

*Bandall also regularly utilises modular banding units in the development of fully automatic installations, for example in multi-unit installations and other customer-specific installations. Furthermore, the compactness of the modular units enables easy replacement of banding systems or other packaging systems in existing production lines with new Bandall modular units.*

## Bandall Modular Range offers

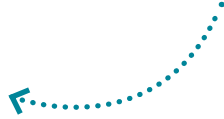
- › **Various options** such as conveyor systems, data printers, External Reel Holders, etc
- › **Easy removal and replacement of banding** and other modules in line
- › **Maximum profit** from all of the benefits as provided by standard fully automatic Bandall equipment

Multi-unit equipment,  
stacking unit, separation  
system and printers. Pretty  
much everything is possible





Rotate the banding unit  
for a side sealing or top  
sealing solution

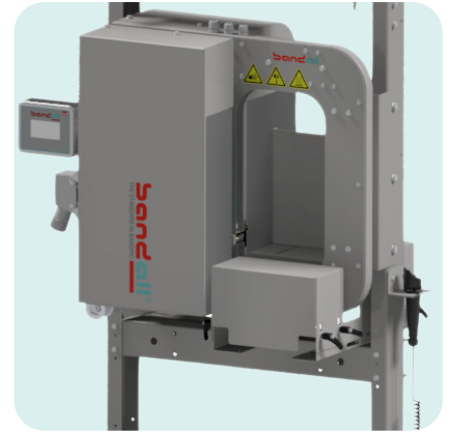


Professional preparation  
Bandall ensures that all of the components  
in modular solutions are prepared for direct  
integration on the basis of a flexible signal  
exchange with other systems.



# The standard in fully automatic banding

*Bandall modular bundling and banding solutions have been installed in line in the graphics industry, food industry, health & beauty and in many other packaging lines where a very efficient packaging process, reduction in packaging materials and often branding are required.*

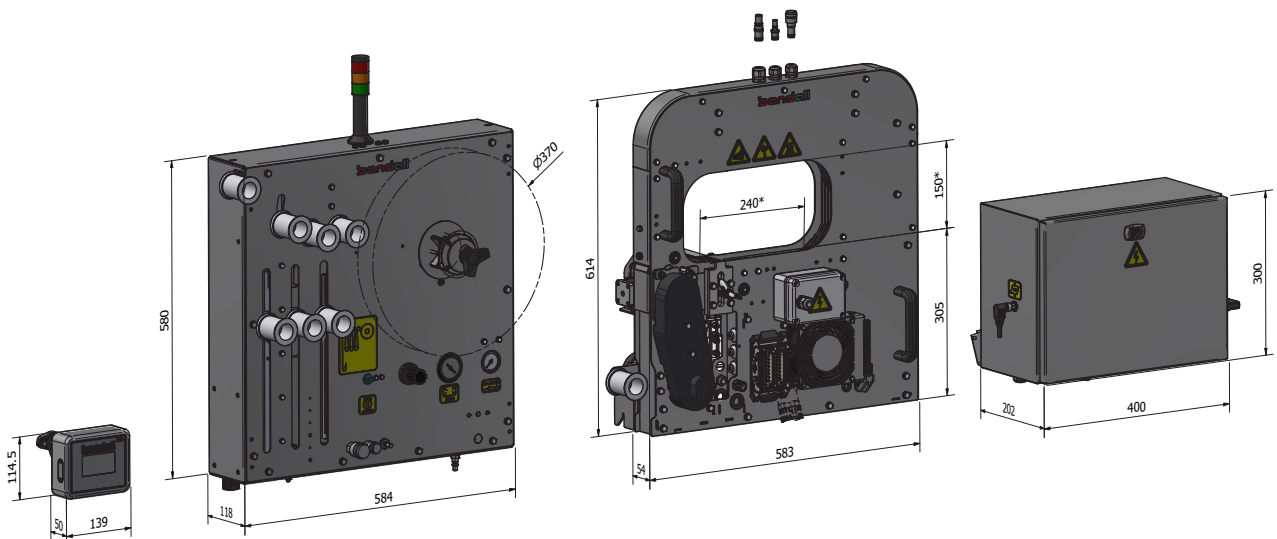


## Modular advantages with Bandall

- › **Vast range of standard arch** widths and arch heights within the banding unit are available
- › Detailed information is available about **signal exchange**, software and components
- › **Short lead times**
- › **Reliable**
- › **User-friendly**
- › **Endless configurations**



The modular banding unit with a side seal is perfect for banding small products. Here it is integrated into a fully automatic line for banding labels



\* The width, length and height of the banding arch are available in different sizes.

EE.OE

